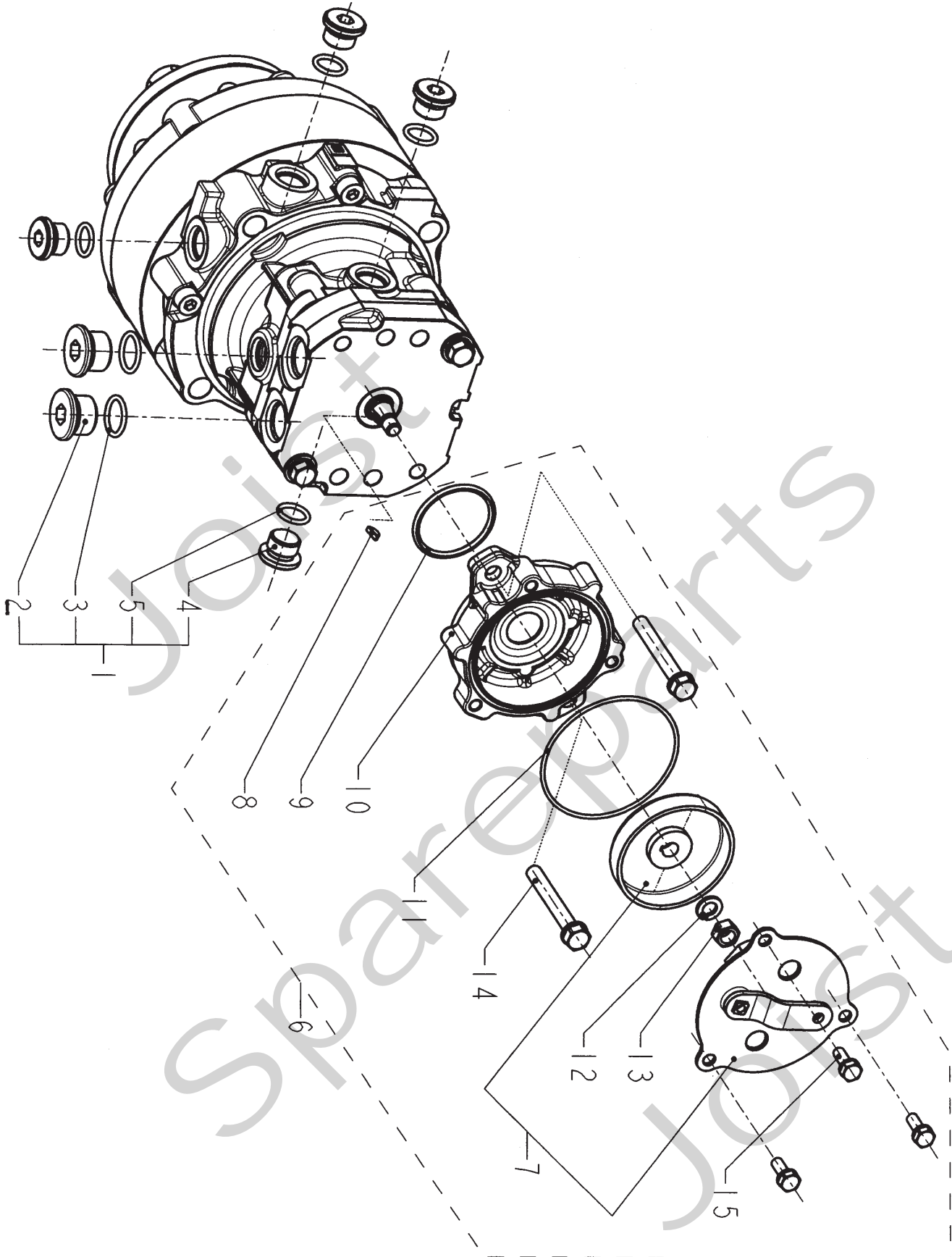


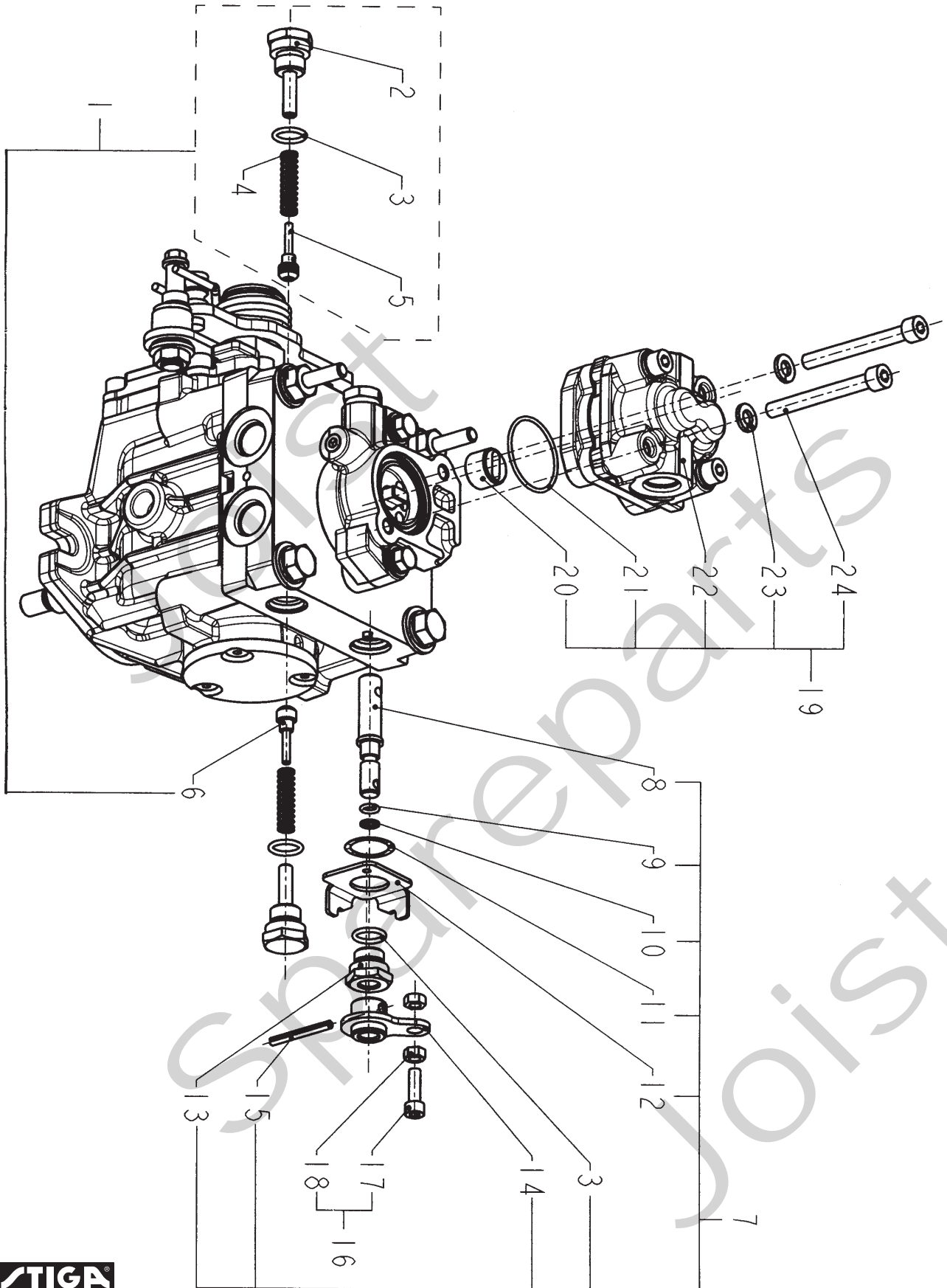
Genuine Spare Parts



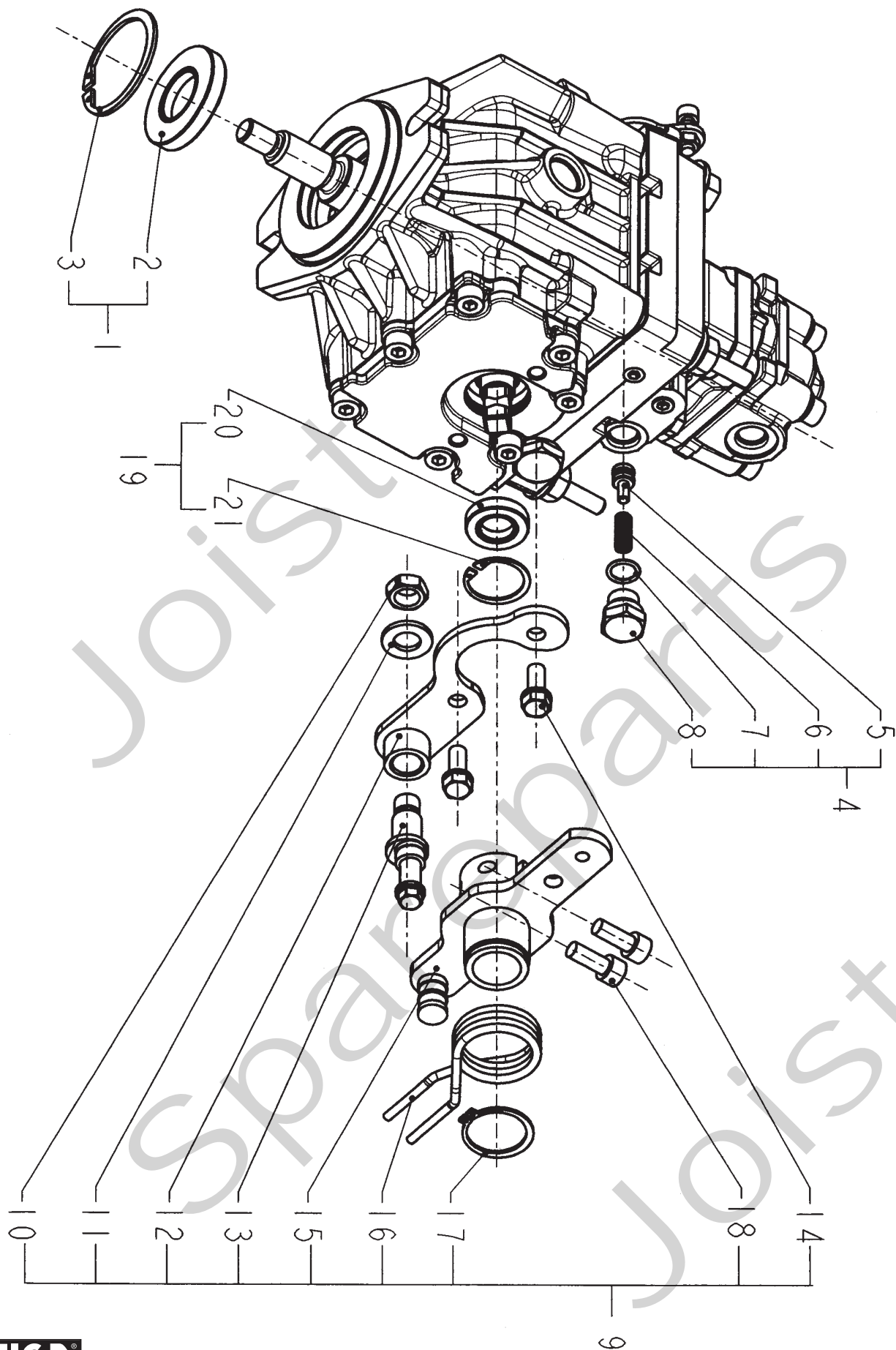
Joist
Spareparts
Joist



| Utgåva Issue | | Bildnr Picture No | | HYDRAULMOTOR | | HYDRAULIC MOTOR | | Sida Page | |
|-----------------|--------------------|----------------------|--------------------|--|--------------------|--|-------------|---------------------|--|
| 2009- 15 | | 2437 | | KWM- 13L- 166A KWM- 13S- 162A KWM- 13S- 162N | | KWM- 13L- 166A KWM- 13S- 162A KWM- 13S- 162N | | 172 | |
| Pos. Fig. | Antal/Quantity | | | Art nr Part No | Benämning | Description | Sats Kit | Anmärkning Notes | |
| | KWM 13L 166A | KWM 13S 162A | KWM 13S 162N | | | | | | |
| 0 | 1 | | | 1134- 7014- 01 | Hydraulmotor | Hydraulic motor | | | |
| 0 | | 1 | | 1134- 7015- 01 | Hydraulmotor | Hydraulic motor | | | |
| 0 | | | 1 | 1134- 7016- 01 | Hydraulmotor | Hydraulic motor | | | |
| 1 | 1 | 1 | 1 | 1139- 1543- 01 | Pluggsats..... | Plug kit..... | | Pos 2 - 5 incl. | |
| 2 | 2 | 2 | 2 | 1139- 1569- 01 | • Plugg | • Plug..... | | | |
| 3 | 2 | 2 | 2 | 1139- 1579- 01 | • Packning..... | • Packing | | | |
| 4 | 4 | 4 | 4 | 1139- 1572- 01 | • Plugg | • Plug..... | | | |
| 5 | 4 | 4 | 4 | 1139- 1115- 01 | • O- ring..... | • O- ring | | | |
| 6 | 1 | 1 | | 1139- 1544- 01 | Broms kpl..... | Brake kit..... | | Pos 7 - 15 incl. | |
| 7 | 1 | 1 | | 1139- 1541- 01 | • Broms..... | • Brake | | | |
| 8 | 1 | 1 | | 1139- 1578- 01 | • Kil | • Key | | | |
| 9 | 1 | 1 | | 1139- 1580- 01 | • Packning..... | • Packing | | | |
| 10 | 1 | 1 | | 1139- 1542- 01 | • Bromshus | • Brake case..... | | | |
| 11 | 1 | 1 | | 1139- 1582- 01 | • Packning..... | • Packing | | | |
| 12 | 1 | 1 | | 1139- 1577- 01 | • Bricka | • Washer | | | |
| 13 | 1 | 1 | | 1139- 1589- 01 | • Mutter..... | • Nut | | | |
| 14 | 2 | 2 | | 1139- 1584- 01 | • Skruv | • Bolt | | | |
| 15 | 3 | 3 | | 1139- 1583- 01 | • Skruv | • Bolt | | | |



| Utgåva Issue 2009- 15 | | Bildnr Picture No 2438 | | HYDRAULPUMP KPL- 23ALP KPS- 23ALP | | HYDRAULIC PUMP KPL- 23ALP KPS- 23ALP | | Sida Page 174 | |
|-----------------------------|------------------|------------------------------|--|---|----------------------------|--|-------------|---------------------|--|
| Pos. Fig. | Antal/Quantity | | | Art nr Part No | Benämning | Description | Sats Kit | Anmärkning Notes | |
| | KPL 23 ALP | KPS 23 ALP | | | | | | | |
| 0 | 1 | | | 1134- 7012- 01 | Hydraulpump | Hydraulic pump..... | | | |
| 0 | | 1 | | 1134- 7013- 01 | Hydraulpump | Hydraulic pump..... | | | |
| 1 | 1 | | | 1139- 1557- 01 | Ventilsats kpl | Check valve kit | | Pos 2 - 6 incl. | |
| 1 | | 1 | | 1139- 1567- 01 | Ventilsats kpl | Check valve kit | | Pos 2 - 5 incl. | |
| 2 | 2 | 2 | | 1139- 1548- 01 | • Plugg | • Check plug | | | |
| 3 | 3 | 3 | | 1139- 1115- 01 | • O- ring..... | • O- ring | | | |
| 4 | 2 | 2 | | 1139- 1547- 01 | • Fjäder..... | • Spring (suction) | | | |
| 5 | | 2 | | 1139- 1545- 01 | • Ventil | • Check valve R..... | | | |
| 5 | 1 | | | 1139- 1550- 01 | • Ventil | • Check valve 1.2 | | | |
| 6 | 1 | | | 1139- 1368- 01 | • Ventil | • Check valve F | | | |
| 7 | 1 | 1 | | 1139- 1558- 01 | Bypass sats | Bypass kit | | Pos 8 - 16 incl. | |
| 8 | 1 | 1 | | 1139- 1549- 01 | • Axel..... | • Bypass pin | | | |
| 9 | 1 | 1 | | 1139- 1112- 01 | • O- ring..... | • O- ring | | | |
| 10 | 1 | 1 | | 1139- 1387- 01 | • Ring..... | • Back- up ring | | | |
| 11 | 1 | 1 | | 1139- 1522- 01 | • Vågbricka..... | • Wave washer | | | |
| 12 | 1 | 1 | | 1139- 1373- 01 | • Plåt | • By- pass plate..... | | | |
| 13 | 1 | 1 | | 1139- 1371- 01 | • Adapter | • By- pass adapter..... | | | |
| 14 | 1 | 1 | | 1139- 1372- 01 | • By- pass arm..... | • By- pass lever | | | |
| 15 | 1 | 1 | | 1139- 1395- 01 | • Stift..... | • Pin..... | | | |
| 16 | 1 | 1 | | 1139- 1562- 01 | • Bypass option sats | • Bypass option kit..... | | Pos 17 - 18 incl. | |
| 17 | 1 | 1 | | 1139- 1585- 01 | • Skruv | • Bolt..... | | | |
| 18 | 2 | 2 | | 1139- 0247- 01 | • Mutter | • Nut | | | |
| 19 | 1 | 1 | | 1139- 1563- 01 | Pump kpl | Gear pump kit | | Pos 20 - 24 incl. | |
| 20 | 1 | 1 | | 1139- 1539- 01 | • Koppling | • Coupling..... | | | |
| 21 | 1 | 1 | | 1139- 1581- 01 | • Packning | • Packing | | | |
| 22 | 1 | 1 | | 1139- 1540- 01 | • Pump | • Pump | | | |
| 23 | 2 | 2 | | 1139- 1573- 01 | • Bricka | • Washer..... | | | |
| 24 | 2 | 2 | | 1139- 1587- 01 | • Skruv | • Bolt | | | |



| Utgåva Issue 2009- 15 | | Bildnr Picture No 2439 | | HYDRAULPUMP KPL- 23ALP KPS- 23ALP | | HYDRAULIC PUMP KPL- 23ALP KPS- 23ALP | | Sida Page 176 | |
|-----------------------------|------------------|------------------------------|--|---|-------------------|--|---------------------------|---------------------|---------------------|
| Pos. Fig. | Antal/Quantity | | | | Art nr Part No | Benämning | Description | Sats Kit | Anmärkning Notes |
| | KPL 23 ALP | KPS 23 ALP | | | | | | | |
| 0 | 1 | | | | 1134- 7012- 01 | Hydraulpump | Hydraulic pump..... | | |
| 0 | | 1 | | | 1134- 7013- 01 | Hydraulpump | Hydraulic pump..... | | |
| 1 | 1 | 1 | | | 1139- 1559- 01 | Tätningring kpl..... | Input seal kit | | Pos 2 - 3 incl. |
| 2 | 1 | 1 | | | 1139- 1551- 01 | • Tätningring | • Oil seal | | |
| 3 | 1 | 1 | | | 1139- 1576- 01 | • Låsring | • Ring | | |
| 4 | 1 | 1 | | | 1139- 1560- 01 | Ventilsats | Charge relief kit | | Pos 5 - 8 incl. |
| 5 | 1 | 1 | | | 1139- 1571- 01 | • Ventil | • Relief valve | | |
| 6 | 1 | 1 | | | 1139- 1570- 01 | • Fjäder | • Spring | | |
| 7 | 1 | 1 | | | 1139- 1168- 01 | • Packning | • Packing | | |
| 8 | 1 | 1 | | | 1139- 1546- 01 | • Plugg | • Plug | | |
| 9 | 1 | | | | 1139- 1564- 01 | Neutralreglage kpl..... | Neutral kit | | Pos 10 - 18 incl. |
| 9 | | 1 | | | 1139- 1568- 01 | Neutralreglage kpl..... | Neutral kit | | Pos 10 - 18 incl. |
| 10 | 1 | 1 | | | 1139- 1127- 01 | • Mutter | • Nut | | |
| 11 | 1 | 1 | | | 1139- 1102- 01 | • Bricka | • Washer | | |
| 12 | 1 | | | | 1139- 1553- 01 | • Platta | • Plate (return SP) | | |
| 13 | 1 | 1 | | | 1139- 1555- 01 | • Vridcentrum | • Fulcrum | | |
| 14 | 2 | | | | 1139- 1122- 01 | • Bult m.bricka | • Bolt w/washer | | |
| 15 | 1 | | | | 1139- 1554- 01 | • Arm | • Lever | | |
| 15 | | 1 | | | 1139- 1565- 01 | • Arm | • Lever | | |
| 16 | 1 | | | | 1139- 1556- 01 | • Fjäder | • Spring (return) | | |
| 16 | | 1 | | | 1139- 1566- 01 | • Fjäder | • Spring (return) | | |
| 17 | 1 | 1 | | | 1139- 1574- 01 | • Låsring | • Ring | | |
| 18 | 2 | | | | 1139- 1586- 01 | • Skruv | • Bolt | | |
| 18 | | 2 | | | 1139- 1588- 01 | • Skruv | • Bolt | | |
| 19 | 1 | | | | 1139- 1561- 01 | Tätningring kpl..... | Control seal kit | | Pos 20 - 21 incl. |
| 20 | 1 | | | | 1139- 1552- 01 | • Tätningring | • Oil seal | | |
| 21 | 1 | | | | 1139- 1575- 01 | • Låsring | • Ring | | |