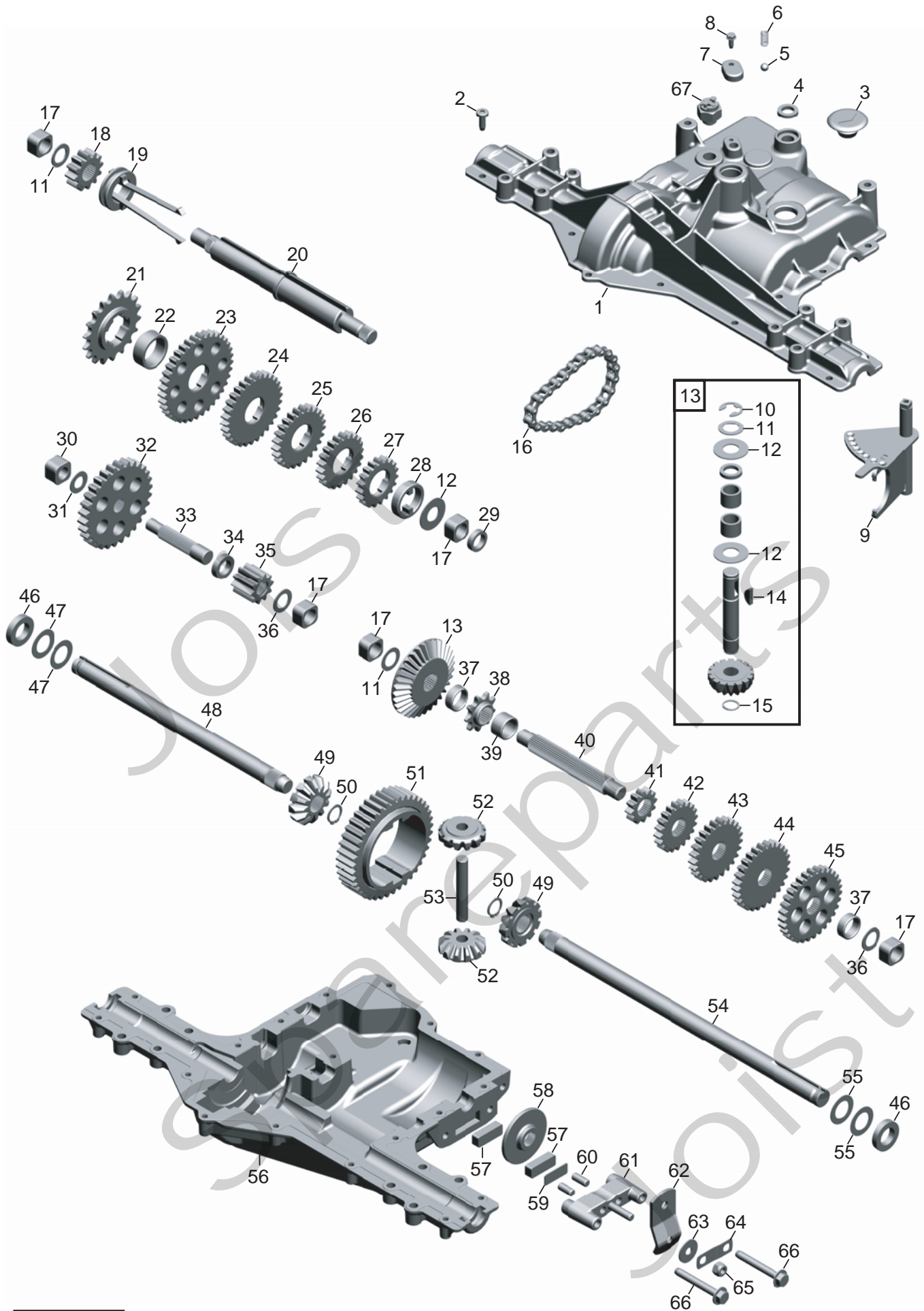


# Genuine Spare Parts

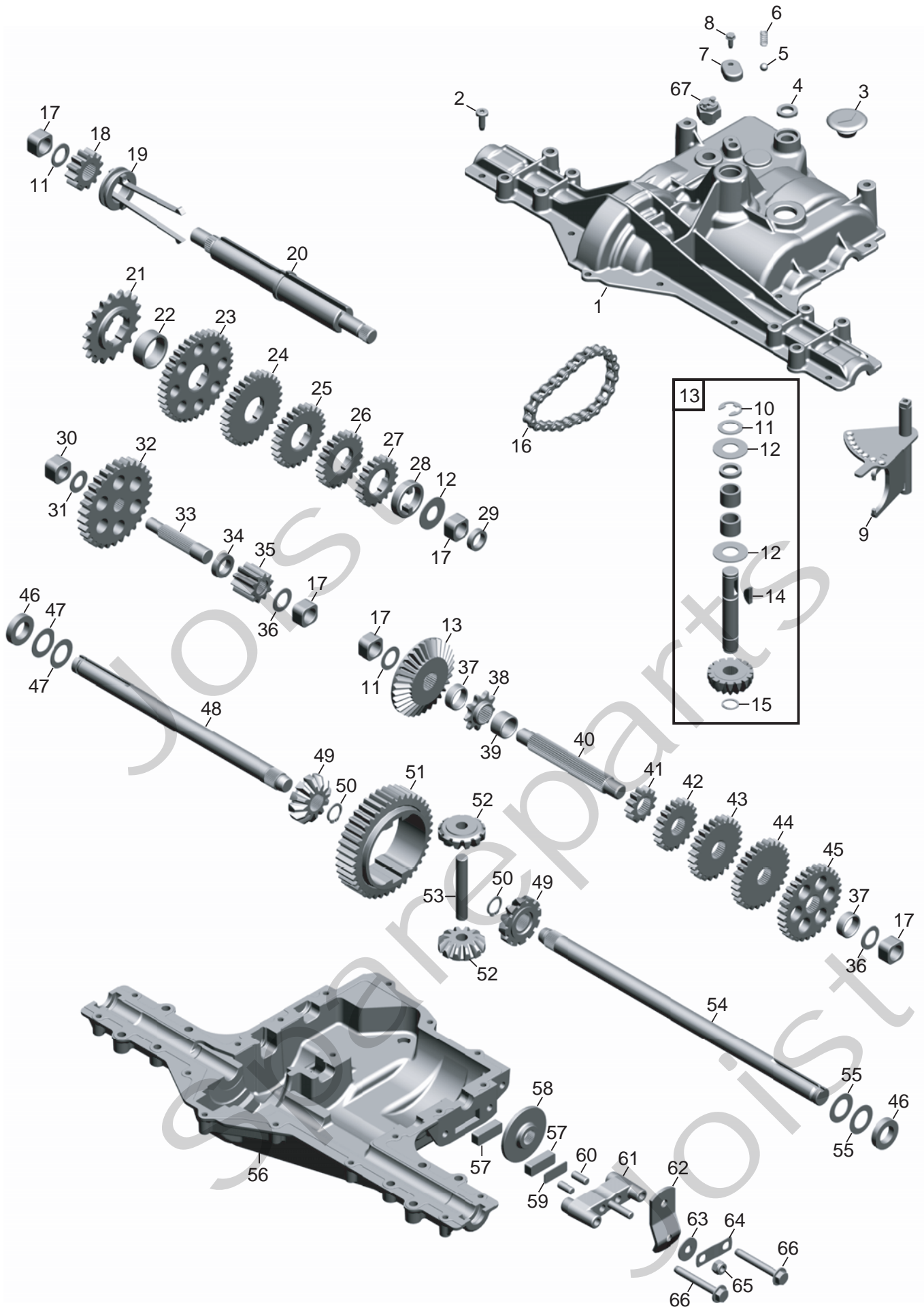
---



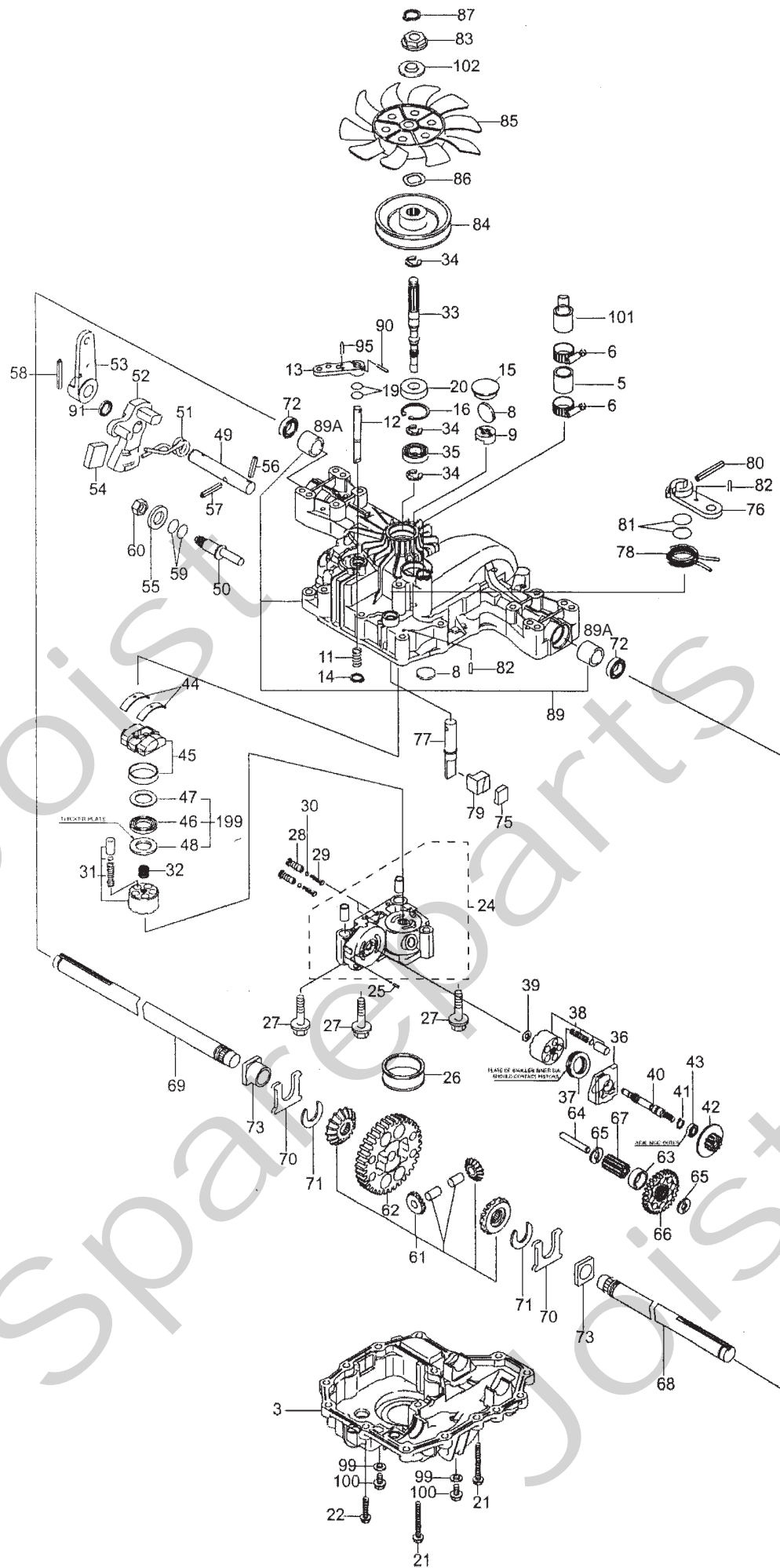
Joist  
Spareparts  
Joist



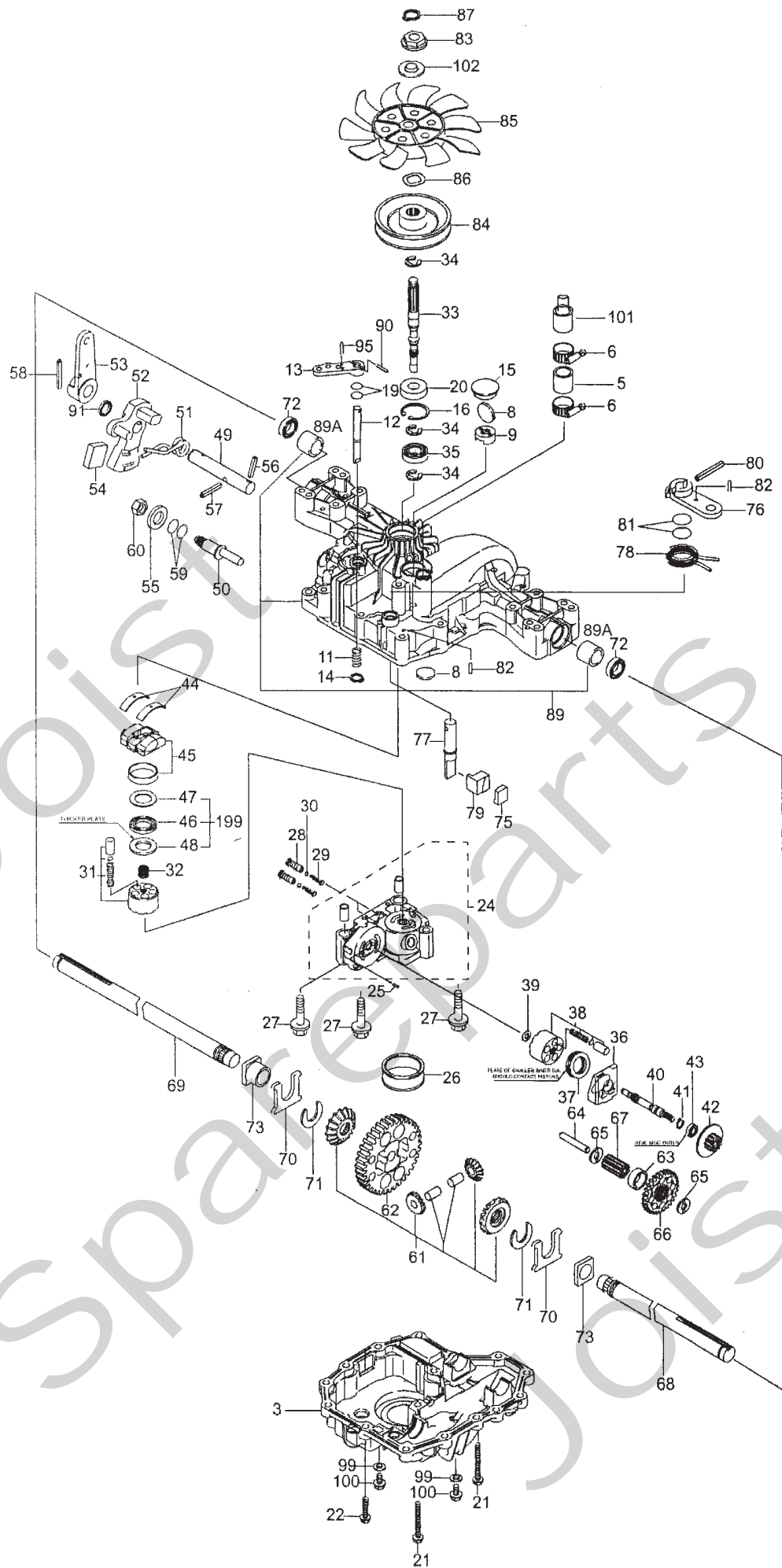
Utgåva Issue		Bildnr Picture No		DANA TRANSAXEL		DANA TRANSAXLE		Sida Page	
2007- 11		2215		6800- 7 6800- 8		6800- 7 6800- 8		354	
Pos. Fig.	Antal/Quantity			Art nr Part No	Benämning	Description	Sats Kit	Anmärkning Notes	
	6800 -7	6800 -8							
X	0	1		1134-6338-01	Transaxel kpl.....	Transaxle assy.....		DANA 6800-7	
X	0		1	1134-6349-01	Transaxel kpl.....	Transaxle assy.....		DANA 6800-8	
X	1	1		F000-6768-00	Hus- övre kpl.....	Housing- upper assy.....		Inkl. pos 4, 7-8	
X	1		1	F000-6769-00	Hus- övre kpl.....	Housing- upper assy.....		Inkl. pos 4, 7-8	
X	2	18	18	F000-1919-00	Skruv.....	Screw.....			
X	3	1	1	F004-1356-00	Gummiplugg.....	Rubber plug.....			
X	4	1	1	F000-7089-00	• Tätningsring.....	• Oil seal.....			
X	5	1	1	F000-5947-00	Kula.....	Ball.....			
X	6	1	1	F000-5948-00	Fjäder.....	Spring.....			
X	7	1	1	F000-7101-00	• Lock.....	• Detent cover.....			
X	8	1	1	F084-0052-00	• Skruv.....	• Screw.....			
X	9	1	1	F000-6670-00	Växelförare.....	Shifter.....			
X	10	1	1	F000-1106-00	• Låsring.....	• Retaining ring.....			
X	11	3	3	F000-4689-00	• Sats- shims.....	• Kit- shim.....			
X	12	3	3	F000-3876-00	• Bricka.....	• Washer.....			
X	13	1	1	F000-6753-00	Ingående axel kpl.....	Input shaft assy.....		Pos 10- 12, 14- 15	
X	14	1	1	F000-1746-00	• Kil.....	• Key.....			
X	15	1	1	F000-3956-00	• Låsring.....	• Retaining ring.....			
X	16	1	1	F000-3625-00	Kedja.....	Chain.....			
X	17	5	5	F000-7091-00	Bussning.....	Bushing.....			
X	18	1	1	F000-7080-00	Drev.....	Spur gear.....		12T	
X	19	1	1	F000-6692-00	Växelkrage.....	Shift collar.....			
X	20	1	1	F000-7086-00	Axel.....	Intermediate shaft.....			
X	21	1	1	F000-3830-00	Kedjehjul.....	Sprocket.....		18T	
X	22	1	1	F000-7094-00	Distans.....	Spacer.....			
X	23	1	1	F000-5365-00	Drev.....	Gear, spur.....		37T	
X	24	1	1	F000-3867-00	Drev.....	Gear, spur.....		30T	
X	25	1	1	F000-3783-00	Drev.....	Gear, spur.....		25T	
X	26	1	1	F000-3869-00	Drev.....	Gear, spur.....		22T	
X	27	1	1	F000-5202-00	Drev.....	Gear, spur.....		19T	
X	28	1	1	F000-5027-00	Distans.....	Spacer.....			
X	29	1	1	F000-7115-00	Tätningring.....	Oil seal.....			
X	30	1	1	F000-7092-00	Bussning.....	Bushing.....			
X	31	1	1	F000-3890-00	Bricka.....	Plain washer.....			
X	32	1	1	F000-7079-00	Drev.....	Spur gear.....		30T	
X	33	1	1	F000-7083-00	Axel.....	Idler shaft.....			
X	34	1	1	F000-3410-00	Distans.....	Spacer.....			
X	35	1	1	F000-5180-00	Drev.....	Spur gear.....		10T	
X	36	2	2	F000-1425-00	Bricka.....	Washer.....			
X	37	2	2	F000-3714-00	Distans.....	Spacer.....			
X	38	1	1	F000-3645-00	Kedjehjul.....	Sprocket.....		9T	
X	39	1	1	F000-7162-00	Distans.....	Spacer.....			
X	40	1	1	F000-7084-00	Axel.....	Drive shaft.....			
X	41	1	1	F000-5364-00	Drev.....	Gear, spur.....		12T	
X	42	1	1	F000-3866-00	Drev.....	Gear, spur.....		20T	
X	43	1	1	F000-3719-00	Drev.....	Gear, spur.....		25T	
X	44	1	1	F000-3868-00	Drev.....	Gear, spur.....		28T	
X	45	1	1	F000-3683-00	Drev.....	Gear, spur.....		31T	
X	46	2	2	F000-7088-00	Tätningring.....	Oil seal.....			
X	47	2	2	F000-3184-00	Bricka.....	Washer.....			
X	48	1		F000-7165-10	Hjulaxel- vä.....	Wheel axle- LH.....			
X	48		1	F000-7166-10	Hjulaxel- vä.....	Wheel axle- LH.....			
X	49	2	2	F000-5622-00	Drev.....	Miter gear.....		12T	
X	50	2	2	F000-5270-00	Låsring.....	Retaining ring.....			
X	51	1	1	F000-5181-00	Drev.....	Spur gear.....		41T	
X	52	2	2	F000-5623-00	Drev.....	Miter gear.....		12T	
X	53	1	1	F000-3919-00	Axel.....	Cross shaft.....			
X	54	1		F000-7165-20	Hjulaxel- hö.....	Wheel axle- RH.....			
X	54		1	F000-7166-20	Hjulaxel- hö.....	Wheel axle- RH.....			
X	55	1	1	F000-4691-00	Sats- shims.....	Kit- shim.....			
X	56	1	1	F000-7071-A0	Hus- nedre.....	Housing- lower.....			
X	57	1	1	F000-6754-00	Friktionsbelägg- sats.....	Friction puck kit.....			
X	58	1	1	F000-7103-00	Bromsskiva.....	Brake disc.....			



Utgåva Issue		Bildnr Picture No		DANA TRANSAXEL		DANA TRANSAXLE		Sida Page	
2007- 11		2215		6800- 7 6800- 8		6800- 7 6800- 8		356	
Pos. Fig.	Antal/Quantity			Art nr Part No	Benämning	Description	Sats Kit	Anmärkning Notes	
	6800 -7	6800 -8							
59	1	1		F000- 3758- 00	Distans .....	Spacer .....			
60	2	2		F000- 3843- 00	Pinne .....	Dowel pin .....			
61	1	1		F000- 5554- 00	Bromshållare .....	Brake jaw .....			
62		1		F000- 7029- 00	Bromsarm .....	Actuating lever .....			
62	1			F000- 7032- 00	Bromsarm .....	Actuating lever .....			
63	1	1		F000- 3760- 00	Bricka .....	Washer .....			
64	1	1		F000- 5555- 00	Bricka .....	Bracket .....			
65	1	1		F000- 3847- 00	Låsmutter .....	Lock nut .....			
66	2	2		F000- 5562- 00	Skruv .....	Screw .....			
67		1		F000- 7034- 00	Brytare .....	Switch .....			



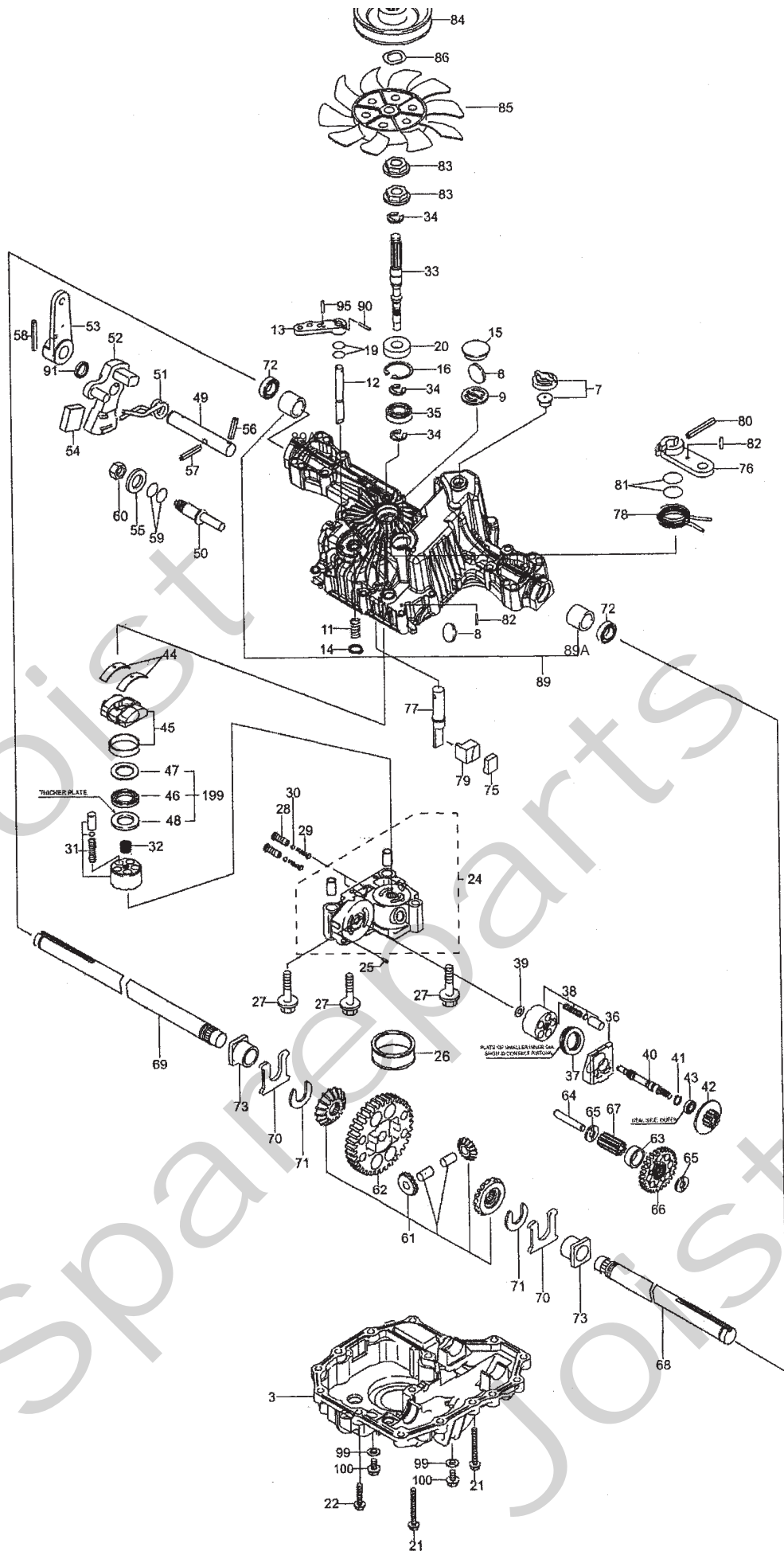
Utgåva Issue	Bildnr Picture No	KANZAKI TRANSAXEL K46G	KANZAKI TRANSAXLE K46G	Sida Page					
2007- 11	1390D			358					
Pos. Fig.	Antal/Quantity				Art nr Part No	Benämning	Description	Sats Kit	Anmärkning Notes
	K46G								
1	1				1134-4848-01	Transaxel kpl.....	Transaxle assy.....		Kanzaki K46G
3	1				1139-1402-01	Hus- nedre.....	Case- lower.....		
5	1				1139-1301-01	Rör.....	Tube.....		
6	2				1139-1336-01	Slangklämma.....	Hose clamp.....		
8	2				1139-1150-01	Magnet.....	Magnet.....	S	
9	1				1139-1341-01	Hållare- magnet.....	Holder- magnet.....		
11	1				1139-1028-01	Fjäder.....	Spring.....		s/n - 015563
11	1				1139-1347-01	Fjäder.....	Spring.....		s/n 015564-
12	1				1139-1251-01	Axel- bypass.....	Shaft- bypass.....		
13	1				1139-1189-01	Arm- bypass.....	Lever- bypass.....		
14	1				1139-1161-01	Låsring.....	Ring.....		
15	1				1139-1275-01	Plugg.....	Bore plug.....		
16	1				1139-1104-01	Låsring.....	Snap ring.....		
19	2				1139-1117-01	O- ring.....	O- ring.....	S	
20	1				1139-1119-01	Tätning.....	Seal.....	S	
21	2				1139-1295-01	Skruv.....	Tapping screw.....		
22	14				1139-0244-01	Skruv.....	Tapping screw.....		
24	1				1139-1273-01	Centrumhus kpl.....	Center case assy.....		s/n 010804-015418
24	1				1139-1340-01	Centrumhus kpl.....	Center case assy.....		s/n 015419-
25	1				1139-1158-01	Stift.....	Pin.....		
26	1				1139-1405-01	Filter.....	Filter.....	S	
27	3				1139-1294-01	Bult.....	Bolt.....		
28	2				1139-1339-01	Ventil.....	Valve.....		
29	2				1139-1243-01	Fjäder.....	Spring.....		s/n - 009999
29	2				1139-1338-01	Fjäder.....	Spring.....		s/n 010000-
30	2				1139-1346-01	Kula.....	Ball.....		
31	1				1139-1159-01	Cylinderblock kpl.....	Cylinder block assy.....		s/n - 015563
31	1				1139-1356-01	Cylinderblock kpl.....	Cylinder block assy.....		s/n 015564-
32	1				1139-1245-01	Fjäder.....	Spring.....		
33	1				1139-1246-01	Pumpaxel.....	Pump shaft.....		
34	3				1139-1146-01	Låsring.....	Ring.....		
35	1				1139-1110-01	Kullager.....	Ball bearing.....		
36	1				1139-1157-01	Hus.....	Housing.....		
37	1				1139-1054-01	Lager.....	Bearing.....		
38	1				1139-1139-01	Cylinderblock kpl.....	Cylinder block assy.....		
39	1				1139-1160-01	Bricka.....	Washer.....		
40	1				1139-1247-01	Motoraxel.....	Motor shaft.....		s/n 010804-015563
40	1				1139-1353-01	Motoraxel.....	Motor shaft.....		s/n 015564-
41	1				1139-1021-01	Låsring.....	Snap ring.....		
42	1				1139-1272-01	Motordrev.....	Motor gear.....		
43	1				1139-1453-01	Lager.....	Bearing.....		
44	2				1139-1066-01	Tryckplatta.....	Metal thrust.....		
45	1				1139-1067-01	Stänklatta kpl.....	Swash plate assy.....		s/n - 022544
45	1				1139-1475-01	Stänklatta kpl.....	Swash plate assy.....		s/n 022545-
49	1				1139-1315-01	Regleraxel.....	Control shaft.....		s/n 010804-012410
49	1				1139-1354-01	Regleraxel.....	Control shaft.....		s/n 012411-
50	1				1139-1316-01	Vridcentrum.....	Fulcrum.....		
51	1				1139-1312-01	Fjäder.....	Spring.....		
52	1				1139-1409-01	Reglerarm.....	Control arm.....		
53	1				1139-1325-01	Reglerarm.....	Control lever.....		
54	1				1139-1408-01	Ryckplatta.....	Jerky plate.....		
55	1				1139-1102-01	Bricka.....	Washer.....		
56	1				1139-1327-01	Stift.....	Pin.....		s/n 010804-012410
56	1				1139-1355-01	Saxpinne.....	Cotter pin.....		s/n 012411-
57	1				1139-1329-01	Stift.....	Pin.....		
58	1				1139-1285-01	Stift.....	Pin.....		
59	2				1139-1115-01	O- ring.....	O- ring.....	S	
60	1				1139-1127-01	Mutter.....	Nut.....		
61	1				1139-1404-01	Differentialdrev kpl.....	Differential gear kit.....		
62	1				1139-1258-01	Slutdrev.....	Final gear.....		
63	1				1139-1255-01	Hylsa.....	Collar.....		
64	1				1139-1256-01	Reduktionsaxel.....	Reduction shaft.....		
65	2				1139-1257-01	Bricka.....	Washer.....		s/n - 0022544





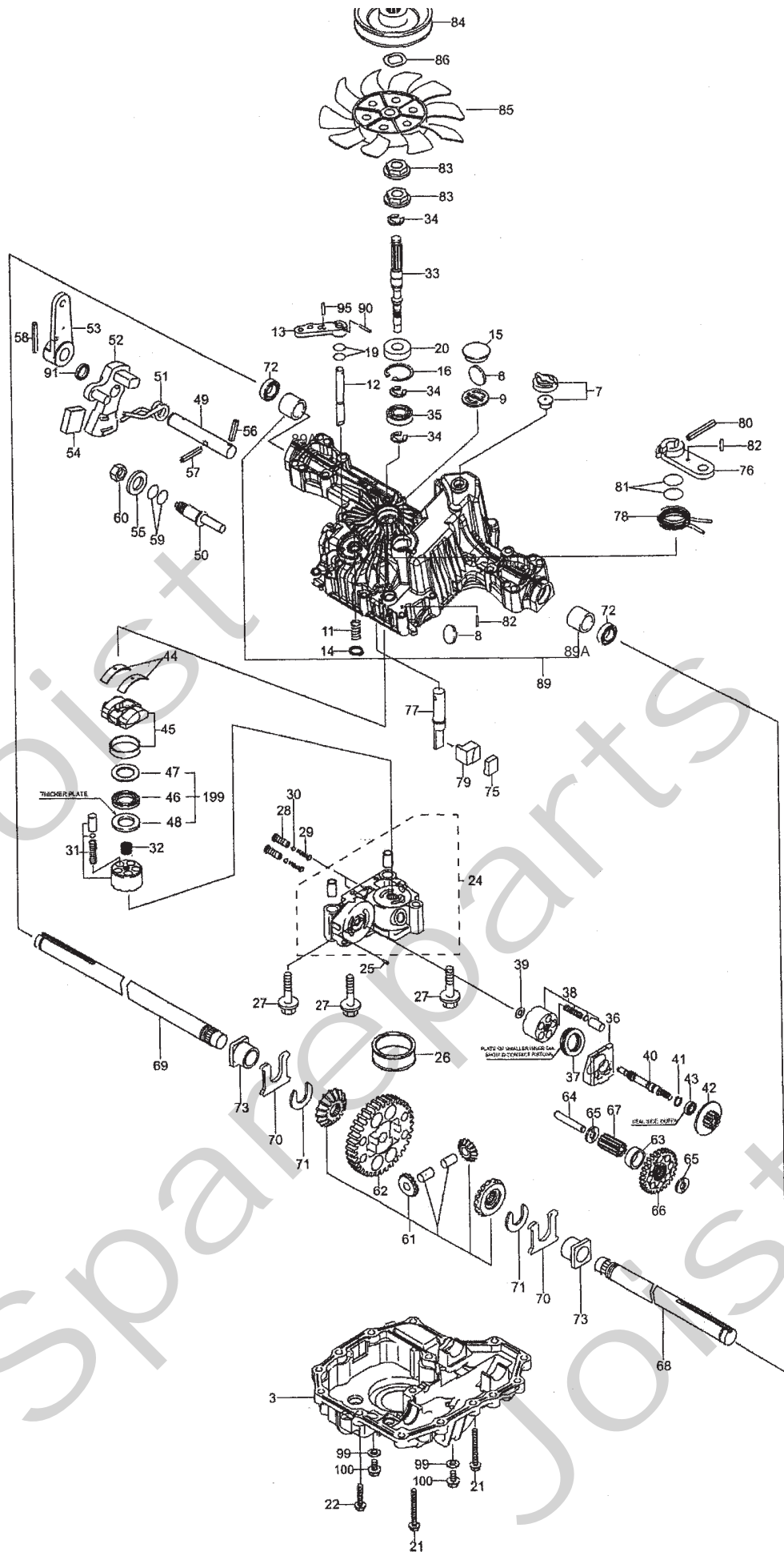
Utgåva Issue		Bildnr Picture No		KANZAKI TRANSAXEL K46G		KANZAKI TRANSAXLE K46G		Sida Page	
2007- 11		1390D						360	
Pos. Fig.	Antal/Quantity				Art nr Part No	Benämning	Description	Sats Kit	Anmärkning Notes
	K46G								
65	2			1139-1398-01	Bricka .....	Washer.....		s/n 0022545-	
66	1			1139-1267-01	Reduktionsdrev .....	Reduction gear.....			
67	1			1139-1259-01	Slutdrev .....	Final pinion .....		s/n - 020523	
67	1			1139-1361-01	Slutdrev .....	Final pinion .....		s/n 020524-	
68	1			1139-1269-01	Hjulaxel- vä .....	Axle shaft- left .....		s/n 010804- 014194	
68	1			1139-1344-01	Hjulaxel- vä .....	Axle shaft- left .....		s/n 014195-	
69	1			1139-1270-01	Hjulaxel- hö .....	Axle shaft- right.....		s/n 010804- 014194	
69	1			1139-1345-01	Hjulaxel- hö .....	Axle shaft- right.....		s/n 014195-	
70	2			1139-1078-01	Tryckbricka .....	Thrust washer .....			
71	2			1139-1163-01	Låsring .....	Ring .....			
72	2			1139-1080-01	Tätning .....	Seal .....	S		
73	2			1139-1164-01	Bussning .....	Bushing.....			
75	1			1139-1260-01	Bromssko .....	Brake shoe .....			
76	1			1139-1261-01	Bromsarm .....	Brake arm .....			
77	1			1139-1320-01	Bromsaxel .....	Brake shaft .....			
78	1			1139-1411-01	Returfjäder .....	Return spring .....			
79	1			1139-1264-01	Bromstryckare .....	Brake actuator.....			
80	1			1139-1282-01	Stift.....	Pin .....			
81	2			1139-1114-01	O- ring .....	O- ring .....	S		
82	2			1139-1281-01	Stift.....	Pin .....			
83	1			1139-1248-01	Krage.....	Spline collar .....			
84	1			1139-1469-01	Remskiva.....	Pulley .....			
85	1			1134-4190-01	Fläkt.....	Fan .....			
86	1			1139-1266-01	Låsbricka .....	Lock washer.....			
87	1			1139-1149-01	Låsring .....	Snap ring .....			
89	1			1139-1302-01	Övre hus kpl .....	Upper housing assy .....		s/n - 018458	
89	1			1139-1358-01	Övre hus kpl .....	Upper housing assy .....		s/n 010000- 0042626	
89	1			1139-1470-01	Hus- övre .....	Housing- upper .....		s/n 0042627-	
89A	2			1139-1414-01	• Bussning.....	• Bushing.....			
90	1			1139-1280-01	Stift.....	Pin .....			
91	1			1139-1303-01	Tätningring .....	Oil seal .....	S		
95	1			1139-1279-01	Stift.....	Pin .....			
99	2			1139-1103-01	Tätningbricka .....	Seal washer.....	S		
100	2			1139-1123-01	Bult .....	Bolt .....			
101	1			1139-1306-01	Adapter.....	Adapter .....			
102	1			1139-1276-01	Bricka .....	Collar .....			
199	1			1139-1362-01	Lager .....	Bearing.....		Inkl. pos 46 - 48	
200	1			1139-1403-01	Packningssats .....	Seal kit .....		Märkta S/ marked S	
201	1			1139-1486-01	Rep.sats .....	Repair kit.....		Ej ill/not ill.	

X

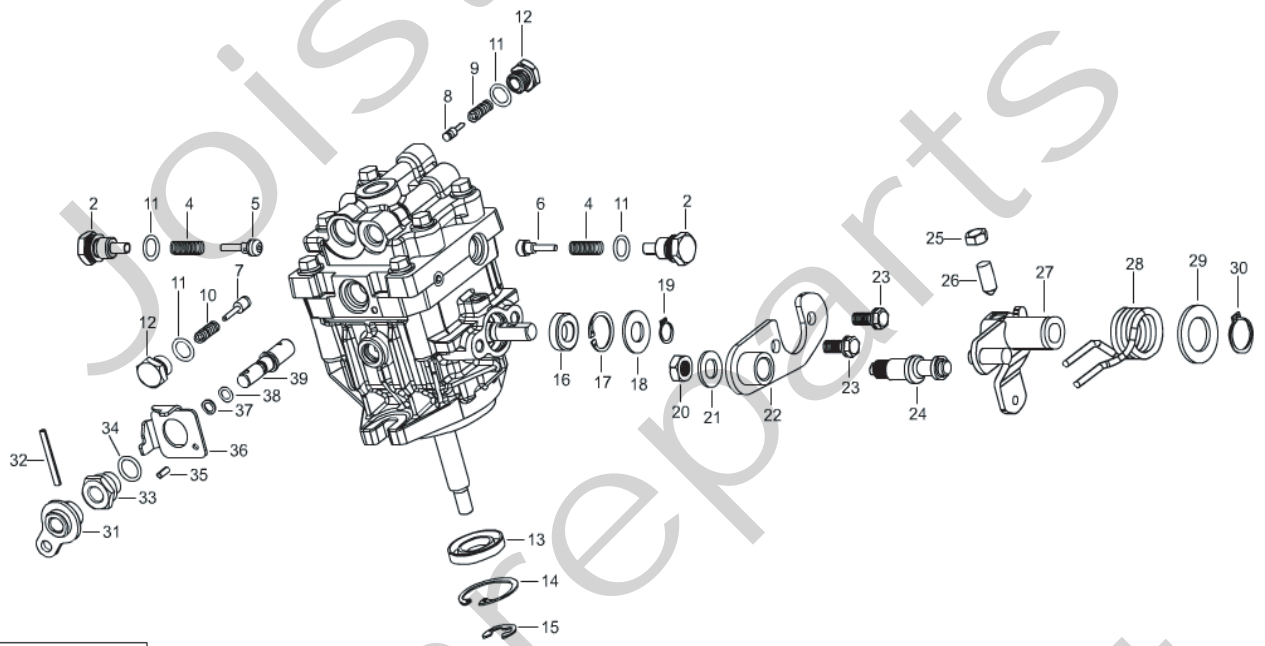


Utgåva Issue 2007- 11		Bildnr Picture No 1391C		KANZAKI TRANSAXEL K46AG		KANZAKI TRANSAXLE K46AG		Sida Page 362	
Pos. Fig.	Antal/Quantity				Art nr Part No	Benämning	Description	Sats Kit	Anmärkning Notes
	K46 AG								
1	1			1134-4846-01	Transaxel kpl.....	Transaxle assy.....		Kanzaki K46AG	
3	1			1139-1402-01	Hus- nedre.....	Case- lower.....			
7	1			1139-1100-01	Ventil kpl.....	Vent valve assy.....			
8	2			1139-1150-01	Magnet.....	Magnet.....	S		
9	1			1139-1341-01	Hållare- magnet.....	Holder- magnet.....			
11	1			1139-1347-01	Fjäder.....	Spring.....			
12	1			1139-1324-01	Axel- bypass.....	Shaft- bypass.....			
13	1			1139-1189-01	Arm- bypass.....	Lever- bypass.....			
14	1			1139-1161-01	Låsring.....	Ring.....			
15	1			1139-1275-01	Plugg.....	Bore plug.....			
16	1			1139-1104-01	Låsring.....	Snap ring.....			
19	2			1139-1117-01	O- ring.....	O- ring.....	S		
20	1			1139-1119-01	Tätning.....	Seal.....	S		
21	2			1139-1295-01	Skruv.....	Tapping screw.....			
22	14			1139-0244-01	Skruv.....	Tapping screw.....			
24	1			1139-1340-01	Centrumhus kpl.....	Center case assy.....			
25	1			1139-1158-01	Stift.....	Pin.....			
26	1			1139-1405-01	Filter.....	Filter.....	S		
27	3			1139-1294-01	Bult.....	Bolt.....			
28	2			1139-1339-01	Ventil.....	Valve.....			
29	2			1139-1338-01	Fjäder.....	Spring.....			
30	2			1139-1346-01	Kula.....	Ball.....			
31	1			1139-1356-01	Cylinderblock kpl.....	Cylinder block assy.....			
32	1			1139-1245-01	Fjäder.....	Spring.....			
33	1			1139-1246-01	Pumpaxel.....	Pump shaft.....		s/n - 0030152	
33	1			1139-1406-01	Pumpaxel.....	Pump shaft.....		s/n 0030153-	
34	3			1139-1146-01	Låsring.....	Ring.....			
35	1			1139-1110-01	Kullager.....	Ball bearing.....			
36	1			1139-1157-01	Hus.....	Housing.....			
37	1			1139-1054-01	Lager.....	Bearing.....			
38	1			1139-1139-01	Cylinderblock kpl.....	Cylinder block assy.....			
39	1			1139-1160-01	Bricka.....	Washer.....			
40	1			1139-1353-01	Motoraxel.....	Motor shaft.....			
41	1			1139-1021-01	Låsring.....	Snap ring.....			
42	1			1139-1272-01	Motordrev.....	Motor gear.....			
43	1			1139-1453-01	Lager.....	Bearing.....			
44	2			1139-1066-01	Tryckplatta.....	Metal thrust.....			
45	1			1139-1067-01	Stänklatta kpl.....	Swash plate assy.....		s/n - 013937	
45	1			1139-1475-01	Stänklatta kpl.....	Swash plate assy.....		s/n 013938-	
49	1			1139-1315-01	Regleraxel.....	Control shaft.....		s/n 004000- 006773	
49	1			1139-1354-01	Regleraxel.....	Control shaft.....		s/n 006774-	
50	1			1139-1410-01	Excenter.....	Fulcrum.....		s/n 004000-	
51	1			1139-1312-01	Fjäder.....	Spring.....			
52	1			1139-1409-01	Reglerarm.....	Control arm.....			
53	1			1139-1325-01	Reglerarm.....	Control lever.....			
54	1			1139-1408-01	Ryckplatta.....	Jerky plate.....			
55	1			1139-1102-01	Bricka.....	Washer.....			
56	1			1139-1327-01	Stift.....	Pin.....		s/n 004000- 006773	
56	1			1139-1355-01	Saxpinne.....	Cotter pin.....		s/n 006774-	
57	1			1139-1329-01	Stift.....	Pin.....			
58	1			1139-1285-01	Stift.....	Pin.....			
59	2			1139-1115-01	O- ring.....	O- ring.....	S		
60	1			1139-1127-01	Mutter.....	Nut.....			
61	1			1139-1404-01	Differentialdrev kpl.....	Differential gear kit.....			
62	1			1139-1258-01	Slutdrev.....	Final gear.....			
63	1			1139-1255-01	Hylsa.....	Collar.....			
64	1			1139-1256-01	Reduktionsaxel.....	Reduction shaft.....			
65	2			1139-1257-01	Bricka.....	Washer.....		s/n - 0013064	
65	2			1139-1398-01	Bricka.....	Washer.....		s/n 0013065-	
66	1			1139-1267-01	Reduktionsdrev.....	Reduction gear.....			
67	1			1139-1259-01	Slutdrev.....	Final pinion.....		s/n - 013064	
67	1			1139-1361-01	Slutdrev.....	Final pinion.....		s/n 013065-	
68	1			1139-1269-01	Hjulaxel- vä.....	Axle shaft- left.....		s/n 000001- 003999	

X

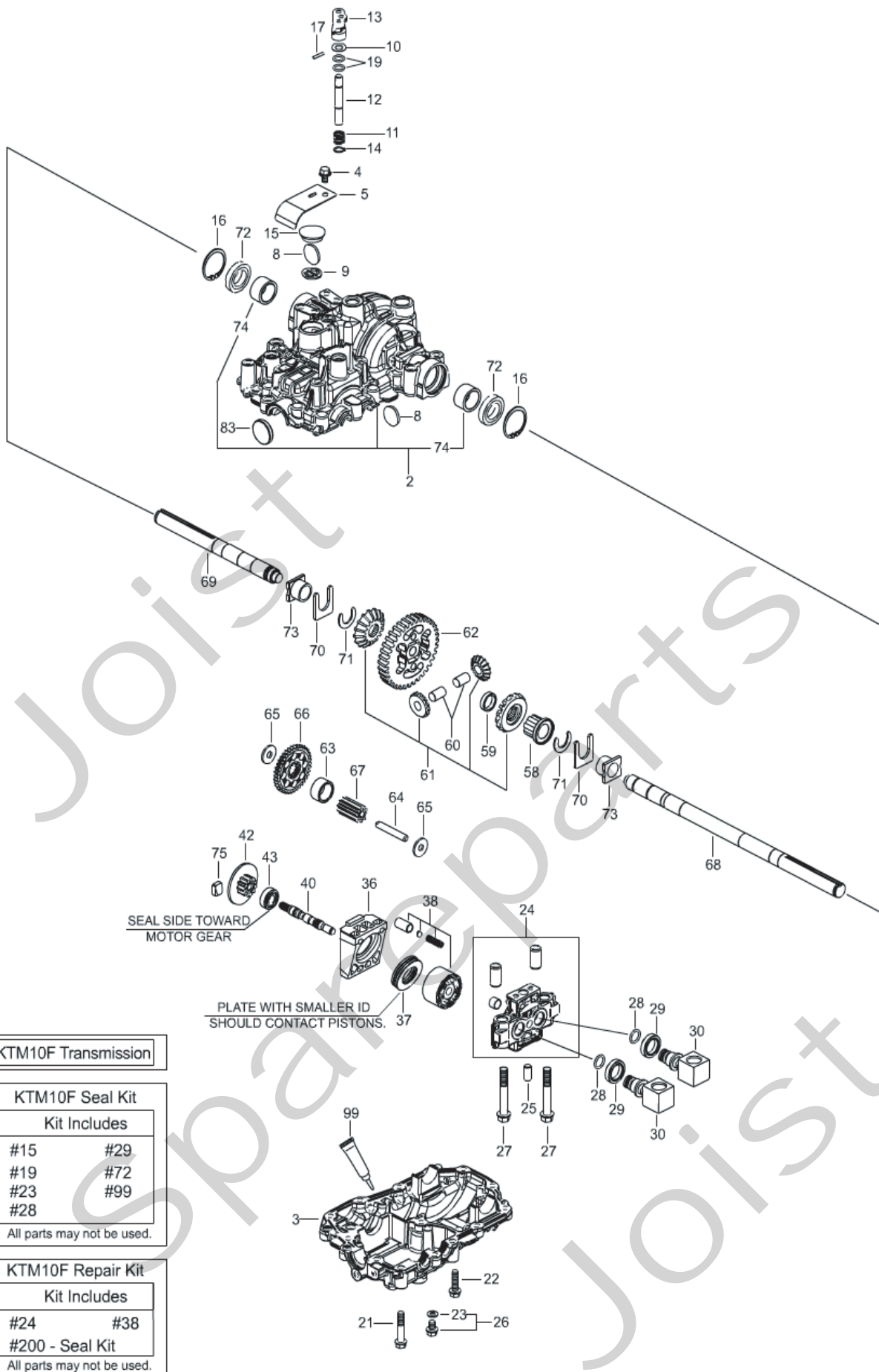


Utgåva Issue 2007- 11		Bildnr Picture No 1391C		KANZAKI TRANSAXEL K46AG		KANZAKI TRANSAXLE K46AG		Sida Page 364	
Pos. Fig.	Antal/Quantity				Art nr Part No	Benämning	Description	Sats Kit	Anmärkning Notes
	K46 AG								
68	1				1139-1342-01	Hjulaxel- vä .....	Axle shaft- left .....		s/n 004000-
69	1				1139-1270-01	Hjulaxel- hö .....	Axle shaft- right .....		s/n 000001- 003999
69	1				1139-1343-01	Hjulaxel- hö .....	Axle shaft- right .....		s/n 004000-
70	2				1139-1078-01	Tryckbricka .....	Thrust washer .....		
71	2				1139-1163-01	Låsring .....	Ring .....		
72	2				1139-1080-01	Tätning .....	Seal .....	S	
73	2				1139-1164-01	Bussning .....	Bushing .....		
75	1				1139-1260-01	Bromssko .....	Brake shoe .....		
76	1				1139-1261-01	Bromsarm .....	Brake arm .....		
77	1				1139-1320-01	Bromsaxel .....	Brake shaft .....		
78	1				1139-1411-01	Returfjäder .....	Return spring .....		
79	1				1139-1264-01	Bromstryckare .....	Brake actuator .....		
80	1				1139-1282-01	Stift .....	Pin .....		
81	2				1139-1114-01	O- ring .....	O- ring .....	S	
82	2				1139-1281-01	Stift .....	Pin .....		
83	2				1139-1248-01	Krage .....	Spline collar .....		
84	1				1139-1484-01	Remskiva .....	Belt pulley .....		
85	1				1134-4190-01	Fläkt .....	Fan .....		
86	1				1139-1266-01	Låsbricka .....	Lock washer .....		
87	1				1139-1149-01	Låsring .....	Snap ring .....		
89	1				1139-1351-01	Övre hus .....	Upper housing .....		s/n - 003999
X 89	1				1139-1485-01	Hus- övre .....	Housing- upper .....		s/n 004000-
89A	2				1139-1414-01	• Bussning .....	• Bushing .....		
90	1				1139-1280-01	Stift .....	Pin .....		
91	1				1139-1303-01	Tätningssring .....	Oil seal .....	S	
95	1				1139-1279-01	Stift .....	Pin .....		
99	2				1139-1103-01	Tätningssring .....	Seal washer .....	S	
100	2				1139-1123-01	Bult .....	Bolt .....		
199	1				1139-1362-01	Lager .....	Bearing .....		Inkl. pos 46 - 48
X 200	1				1139-1403-01	Packningssats .....	Seal kit .....		Märkta S/marked S
X 201	1				1139-1486-01	Rep.sats .....	Repair kit .....		Ej ill/not ill.



1- KPL-10ALP  
Transmission

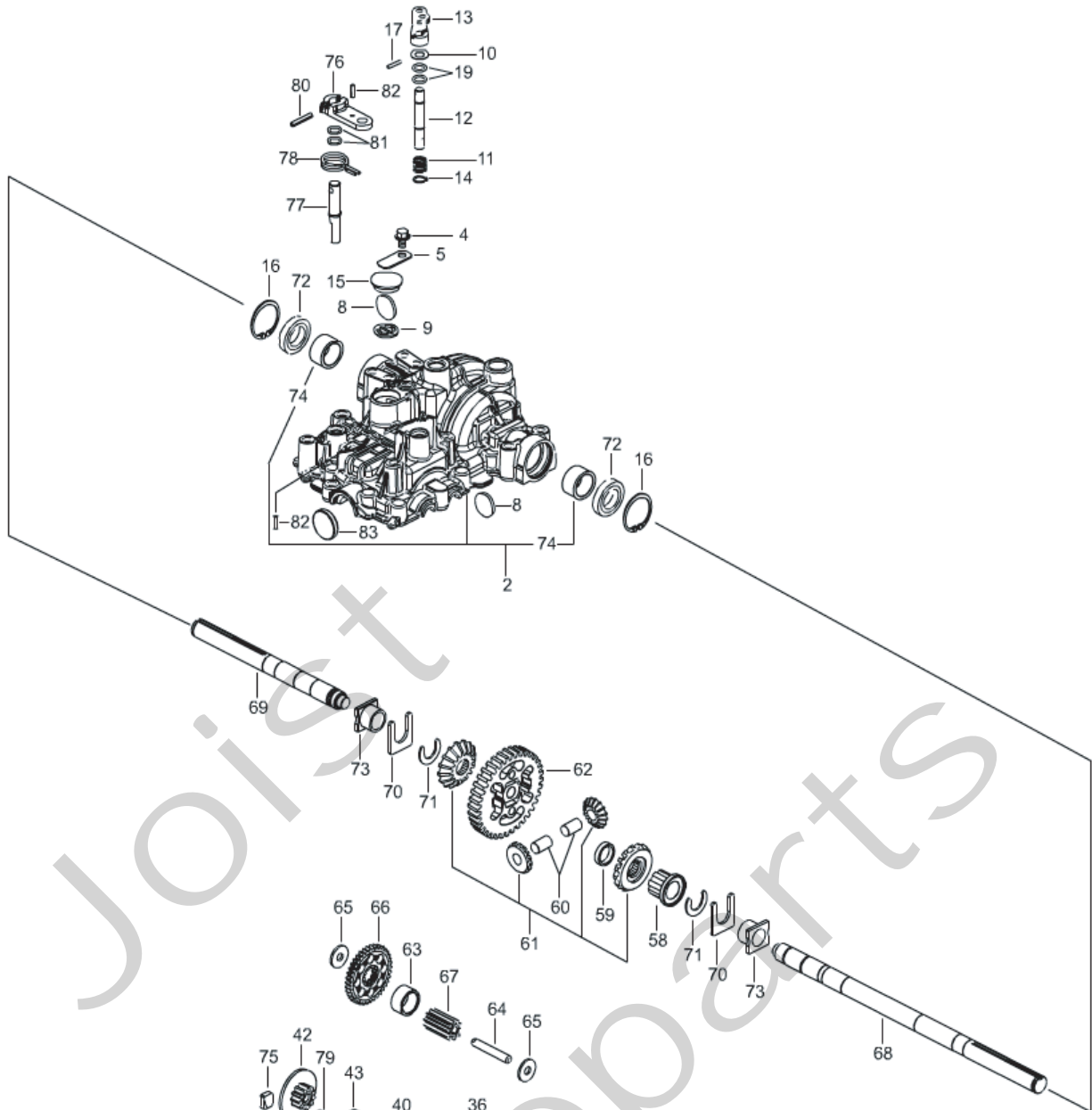
Utgåva Issue 2007- 11		Bildnr Picture No 1826A		KANZAKI HYDRAULPUMP KPL- 10ALP		KANZAKI HYDRAULIC PUMP KPL- 10ALP		Sida Page 366	
Pos. Fig.	Antal/Quantity				Art nr Part No	Benämning	Description	Sats Kit	Anmärkning Notes
	KPL- 10 ALP								
1	1				1134-5700-01	Hydraulpump kpl .....	Hydraulic pump assy .....		Kanzaki KPL- 10ALP
2	2				1139-1367-01	Plugg .....	Check plug .....		
4	2				1139-1366-01	Fjäder .....	Spring .....		
5	1				1139-1374-01	Ventil .....	Check valve R .....		
6	1				1139-1368-01	Ventil .....	Check valve F .....		
7	1				1139-1386-01	Ventil .....	Charge valve .....		
8	1				1139-1385-01	Ventil .....	Relief valve .....		
9	1				1139-1376-01	Fjäder .....	Spring .....		
10	1				1139-1389-01	Ventilfjäder .....	Valve spring .....		
11	4				1139-1114-01	O- ring .....	O- ring .....		
12	2				1139-1375-01	Plugg .....	Charge plug .....		
13	1				1139-1396-01	Tätningring .....	Seal .....		
14	1				1139-1369-01	Spårring .....	Snap ring .....		
15	1				1139-1146-01	Låsring .....	Ring .....		
16	1				1139-1365-01	Tätningring .....	Oil seal .....		
17	1				1139-1393-01	Spårring .....	Ring .....		
18	1				1139-1382-01	Bricka .....	Washer .....		
19	1				1139-1391-01	Låsring .....	Ring .....		
20	1				1139-1127-01	Mutter .....	Nut .....		
21	1				1139-1102-01	Bricka .....	Washer .....		
22	1				1139-1377-01	Plåt .....	Plate .....		
23	2				1139-1122-01	Bult m.bricka .....	Bolt w/washer .....		
24	1				1139-1378-01	Vridcentrum .....	Fulcrum .....		
25	1				1139-1127-01	Mutter .....	Nut .....		
26	1				1139-1381-01	Stoppskruv .....	Set screw .....		
27	1				1139-1379-01	Arm .....	Arm .....		
28	1				1139-1380-01	Returfjäder .....	Return spring .....		
29	1				1139-1390-01	Bricka .....	Washer .....		
30	1				1139-1392-01	Spårring .....	Ring .....		
31	1				1139-1372-01	By- pass arm .....	By- pass lever .....		
32	1				1139-1395-01	Stift .....	Pin .....		
33	1				1139-1371-01	Adapter .....	By- pass adapter .....		
34	1				1139-1115-01	O- ring .....	O- ring .....		
35	1				1139-1394-01	Stift .....	Pin .....		
36	1				1139-1373-01	Plåt .....	By- pass plate .....		
37	1				1139-1387-01	Ring .....	Back- up ring .....		
38	1				1139-1112-01	O- ring .....	O- ring .....		
39	1				1139-1370-01	By- pass axel .....	By- pass pin .....		



- 1- KTM10F Transmission
- 200- KTM10F Seal Kit
  - Kit Includes
  - #15      #29
  - #19      #72
  - #23      #99
  - #28
  - All parts may not be used.
- 201- KTM10F Repair Kit
  - Kit Includes
  - #24      #38
  - #200 - Seal Kit
  - All parts may not be used.



Utgåva Issue 2007- 11		Bildnr Picture No 2216		KANZAKI TRANSAXEL KTM 10F		KANZAKI TRANSAXLE KTM 10F		Sida Page 368	
Pos. Fig.	Antal/Quantity				Art nr Part No	Benämning	Description	Sats Kit	Anmärkning Notes
	KTM 10F								
1	1				1134-5702-01	Motoraxel- fram .....	Motor shaft- front.....		Kanzaki KTM 10F Inkl. pos 74
2	1				1139-1417-01	Hus- övre .....	Housing- upper .....		
3	1				1139-1418-01	Hus- nedre .....	Housing- lower .....		
4	1				1139-1123-01	Bult .....	Bolt .....		
5	1				1139-1384-01	Glidplåt .....	Skid plate .....		
8	2				1139-1150-01	Magnet .....	Magnet .....		
9	1				1139-1341-01	Hållare- magnet .....	Holder- magnet .....		
10	1				1139-1388-01	Bricka .....	Washer .....		
11	1				1139-1421-01	Fjäder .....	Spring .....		
12	1				1139-1420-01	By- passaxel .....	By- pass shaft .....		
13	1				1139-1189-01	Arm- bypass .....	Lever- bypass .....		
14	1				1139-1391-01	Låsring .....	Ring .....		
15	1				1139-1397-01	Tätningshuv .....	Sealing cap .....		
16	2				1139-1444-01	Låsring .....	Ring .....		
17	1				1139-1280-01	Stift .....	Pin .....		
19	2				1139-1114-01	O- ring .....	O- ring .....		
21	3				1139-1291-01	Bult .....	Bolt .....		
22	11				1139-1448-01	Bult .....	Bolt .....		
23	1				1139-1103-01	Tätningbricka .....	Seal washer .....		
24	1				1139-1419-01	Centrumhus kpl .....	Center case assy .....		
25	1				1139-1445-01	Tapp .....	Pin .....		
27	2				1139-1449-01	Bult .....	Bolt .....		
28	2				1139-1446-01	Packning .....	Packing .....		
29	2				1139-1447-01	Tätningring .....	Seal .....		
30	2				1139-1424-01	Anslutning .....	Connector .....		
36	1				1139-1422-01	Hus .....	Housing .....		
37	1				1139-1438-01	Lager .....	Bearing .....		
38	1				1139-1139-01	Cylinderblock kpl .....	Cylinder block assy .....		
40	1				1139-1425-01	Motoraxel .....	Motor shaft .....		
42	1				1139-1442-01	Motordrev .....	Motor gear .....		
43	1				1139-1286-01	Kullager .....	Ball bearing .....		
58	1				1139-1330-01	Hylsa .....	Collar .....		
59	1				1139-1435-01	Hylsa .....	Collar .....		
60	1				1139-1440-01	Axel .....	Pin .....		
61	1				1139-1439-01	Differentialdrev kpl .....	Differential gear kit .....		
62	1				1139-1429-01	Slutdrev .....	Final gear .....		
63	1				1139-1427-01	Hylsa .....	Collar .....		
64	1				1139-1256-01	Reduktionsaxel .....	Reduction shaft .....		
65	2				1139-1398-01	Bricka .....	Washer .....		
66	1				1139-1441-01	Reduktionsdrev .....	Reduction gear .....		
67	1				1139-1361-01	Slutdrev .....	Final pinion .....		
68	1				1139-1432-01	Hjulaxel .....	Axle .....		
69	1				1139-1431-01	Hjulaxel .....	Axle .....		
70	2				1139-1194-01	Tryckbricka .....	Thrust washer .....		
71	2				1139-1155-01	Låsring .....	Ring .....		
72	2				1139-1044-01	Tätning .....	Seal .....		
73	2				1139-1156-01	Bussning .....	Bushing .....		
74	2				1139-1415-01	• Bussning .....	• Bushing .....		
75	1				1139-1260-01	Bromssko .....	Brake shoe .....		
83	1				1139-1450-01	Tätningshuv .....	Sealing cap .....		
99	1				1139-1443-01	Tätningmedel .....	Sealant .....		
200	1				1139-1436-01	Servicesats .....	Seal kit .....		



SEAL SIDE TOWARD  
MOTOR GEAR

PLATE WITH SMALLER ID  
SHOULD CONTACT PISTONS.

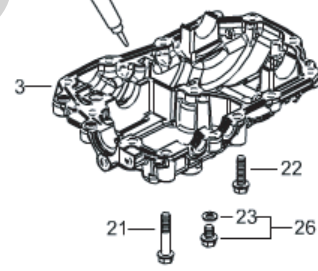
- 1 KTM10G Transmission
- 200 KTM10G Seal Kit
 

Kit Includes	
#15	#51
#19	#55
#23	#72
#28	#81
#29	#99

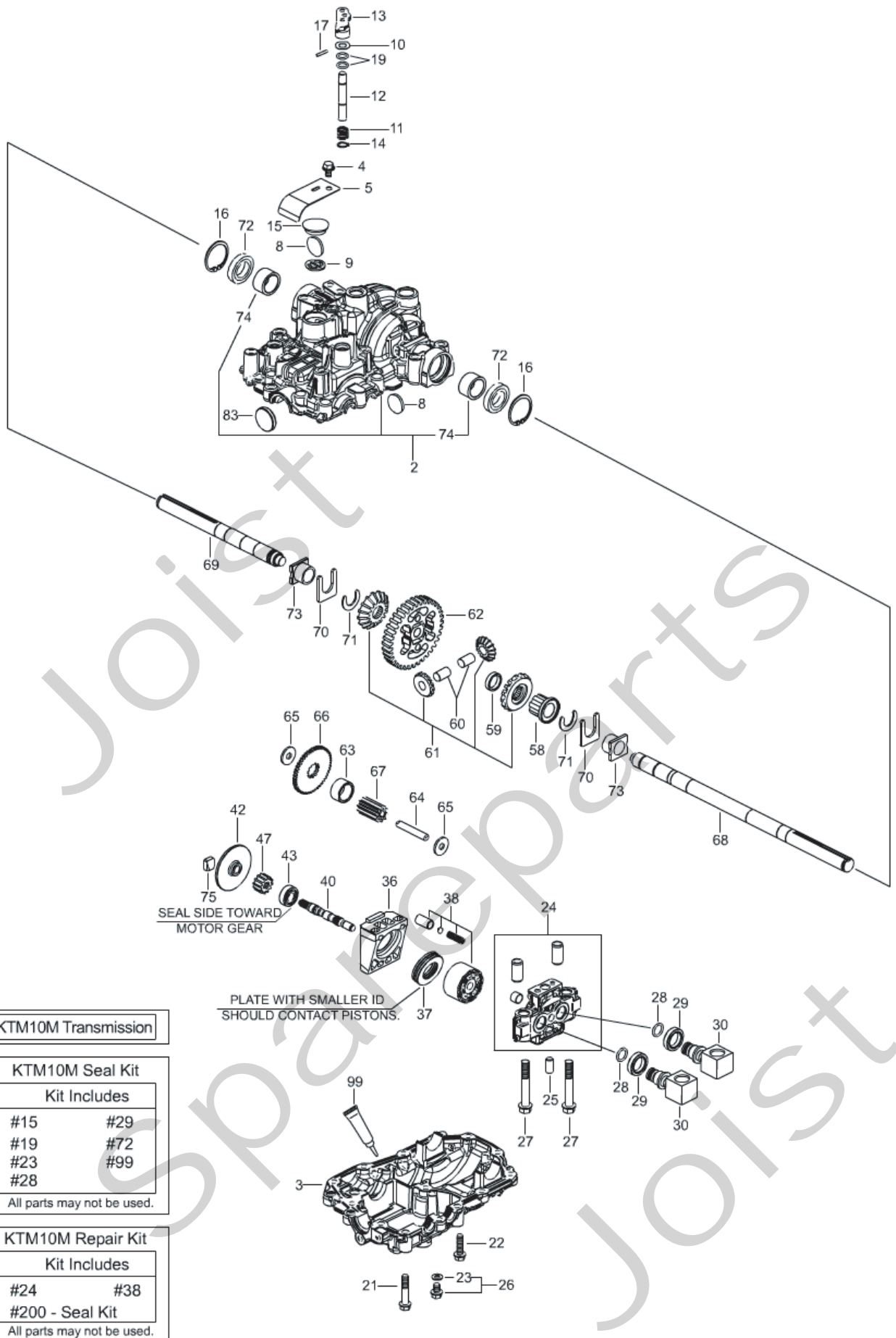
All parts may not be used.
- 201 KTM10G Repair Kit
 

Kit Includes	
#24	#38
#200 - Seal Kit	

All parts may not be used.



Utgåva Issue	Bildnr Picture No	KANZAKI TRANSAXEL KTM 10G		KANZAKI TRANSAXLE KTM 10G		Sida Page			
2007- 11	2217					370			
Pos. Fig.	Antal/Quantity				Art nr Part No	Benämning	Description	Sats Kit	Anmärkning Notes
	KTM 10G								
1	1				1134-5701-01	Motoraxel- bak.....	Motor shaft- rear .....		Kanzaki KTM 10G Inkl. pos 74
2	1				1139-1416-01	Hus- övre .....	Housing- upper .....		
3	1				1139-1418-01	Hus- nedre .....	Housing- lower .....		
4	1				1139-1123-01	Bult .....	Bolt .....		
5	1				1139-1383-01	Plåt .....	Vent port plate.....		
8	2				1139-1150-01	Magnet .....	Magnet .....		
9	1				1139-1341-01	Hållare- magnet .....	Holder- magnet .....		
10	1				1139-1388-01	Bricka .....	Washer .....		
11	1				1139-1421-01	Fjäder .....	Spring .....		
12	1				1139-1420-01	By- passaxel.....	By- pass shaft .....		
13	1				1139-1189-01	Arm- bypass .....	Lever- bypass .....		
14	1				1139-1391-01	Låsring .....	Ring .....		
15	1				1139-1397-01	Tätningshuv.....	Sealing cap .....		
16	2				1139-1444-01	Låsring .....	Ring .....		
17	1				1139-1280-01	Stift.....	Pin .....		
19	2				1139-1114-01	O- ring .....	O- ring .....		
21	3				1139-1291-01	Bult.....	Bolt .....		
22	11				1139-1448-01	Bult.....	Bolt .....		
23	1				1139-1103-01	Tätningbricka .....	Seal washer .....		
24	1				1139-1419-01	Centrumhus kpl .....	Center case assy .....		
25	1				1139-1445-01	Tapp.....	Pin .....		
27	2				1139-1449-01	Bult.....	Bolt .....		
28	2				1139-1446-01	Packning.....	Packing .....		
29	2				1139-1447-01	Tätningring .....	Seal .....		
30	2				1139-1423-01	Anslutning .....	Connector .....		
36	1				1139-1422-01	Hus.....	Housing .....		
37	1				1139-1438-01	Lager .....	Bearing.....		
38	1				1139-1139-01	Cylinderblock kpl .....	Cylinder block assy .....		
40	1				1139-1425-01	Motoraxel .....	Motor shaft .....		
42	1				1139-1442-01	Motordrev.....	Motor gear .....		
43	1				1139-1286-01	Kullager .....	Ball bearing .....		
58	1				1139-1330-01	Hylsa .....	Collar .....		
59	1				1139-1435-01	Hylsa .....	Collar .....		
60	1				1139-1440-01	Axel .....	Pin .....		
61	1				1139-1439-01	Differentialdrev kpl .....	Differential gear kit.....		
62	1				1139-1429-01	Slutdrev .....	Final gear .....		
63	1				1139-1427-01	Hylsa .....	Collar .....		
64	1				1139-1256-01	Reduktionsaxel .....	Reduction shaft.....		
65	2				1139-1398-01	Bricka .....	Washer.....		
66	1				1139-1441-01	Reduktionsdrev .....	Reduction gear.....		
67	1				1139-1361-01	Slutdrev .....	Final pinion .....		
68	1				1139-1434-01	Hjulaxel.....	Axle .....		
69	1				1139-1433-01	Hjulaxel.....	Axle .....		
70	2				1139-1194-01	Tryckbricka .....	Thrust washer .....		
71	2				1139-1155-01	Låsring .....	Ring .....		
72	2				1139-1044-01	Tätning .....	Seal .....		
73	2				1139-1156-01	Bussning .....	Bushing.....		
74	2				1139-1415-01	• Bussning.....	• Bushing.....		
75	1				1139-1260-01	Bromssko .....	Brake shoe .....		
76	1				1139-1261-01	Bromsarm .....	Brake arm .....		
77	1				1139-1320-01	Bromsaxel .....	Brake shaft.....		
78	1				1139-1263-01	Returfjäder .....	Return spring .....		
79	1				1139-1264-01	Bromstryckare .....	Brake actuator.....		
80	1				1139-1282-01	Stift.....	Pin .....		
82	2				1139-1281-01	Stift.....	Pin .....		
83	1				1139-1450-01	Tätningshuv.....	Sealing cap .....		
99	1				1139-1443-01	Tätningmedel.....	Sealant .....		
200	1				1139-1437-01	Servicesats.....	Seal kit .....		



1- KTM10M Transmission

**KTM10M Seal Kit**

**Kit Includes**

- #15      #29
- #19      #72
- #23      #99
- #28

All parts may not be used.

**KTM10M Repair Kit**

**Kit Includes**

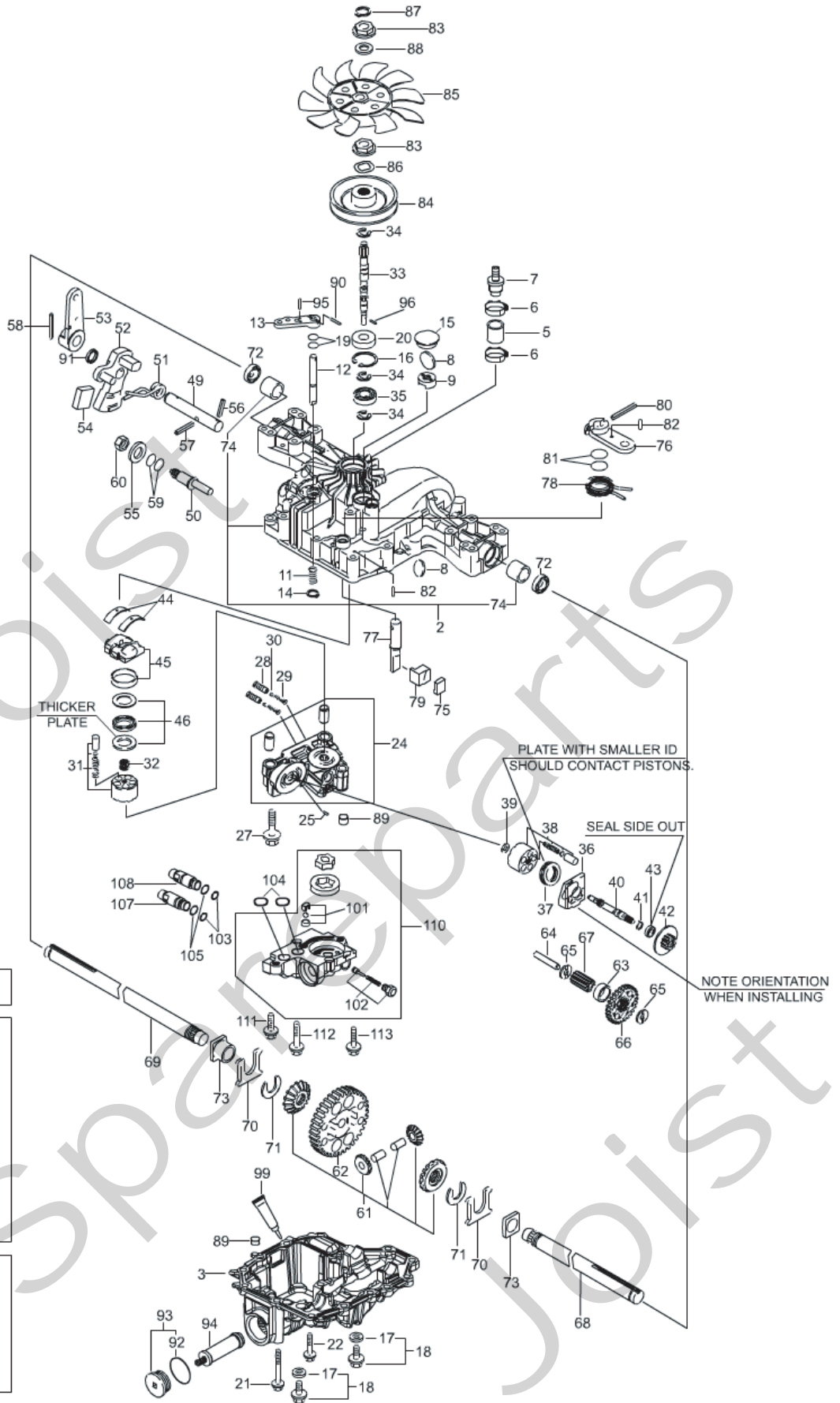
- #24      #38
- #200 - Seal Kit

All parts may not be used.

200-

201-

Utgåva Issue 2007- 11		Bildnr Picture No 2218		KANZAKI TRANSAXEL KTM 10M		KANZAKI TRANSAXLE KTM 10M		Sida Page 372	
Pos. Fig.	Antal/Quantity				Art nr Part No	Benämning	Description	Sats Kit	Anmärkning Notes
	KTM 10M								
1	1				1134-6029-01	Motoraxel- fram .....	Transaxle- front .....		Kanzaki KTM 10M Inkl. pos 74
2	1				1139-1417-01	Hus- övre .....	Housing- upper .....		
3	1				1139-1418-01	Hus- nedre .....	Housing- lower .....		
4	1				1139-1123-01	Bult .....	Bolt .....		
5	1				1139-1384-01	Glidplåt .....	Skid plate .....		
8	2				1139-1150-01	Magnet .....	Magnet .....		
9	1				1139-1341-01	Hållare- magnet .....	Holder- magnet .....		
10	1				1139-1388-01	Bricka .....	Washer .....		
11	1				1139-1421-01	Fjäder .....	Spring .....		
12	1				1139-1420-01	By- passaxel .....	By- pass shaft .....		
13	1				1139-1189-01	Arm- bypass .....	Lever- bypass .....		
14	1				1139-1391-01	Låsring .....	Ring .....		
15	1				1139-1397-01	Tätningshuv .....	Sealing cap .....		
16	2				1139-1444-01	Låsring .....	Ring .....		
17	1				1139-1280-01	Stift .....	Pin .....		
19	2				1139-1114-01	O- ring .....	O- ring .....		
21	3				1139-1291-01	Bult .....	Bolt .....		
22	11				1139-1448-01	Bult .....	Bolt .....		
23	1				1139-1103-01	Tätningbricka .....	Seal washer .....		
24	1				1139-1419-01	Centrumhus kpl .....	Center case assy .....		
25	1				1139-1445-01	Tapp .....	Pin .....		
27	2				1139-1449-01	Bult .....	Bolt .....		
28	2				1139-1446-01	Packning .....	Packing .....		
29	2				1139-1447-01	Tätningring .....	Seal .....		
30	2				1139-1424-01	Anslutning .....	Connector .....		
36	1				1139-1422-01	Hus .....	Housing .....		
37	1				1139-1438-01	Lager .....	Bearing .....		
38	1				1139-1139-01	Cylinderblock kpl .....	Cylinder block assy .....		
40	1				1139-1425-01	Motoraxel .....	Motor shaft .....		
42	1				1139-1451-01	Bromsskiva .....	Brake disc .....		
43	1				1139-1453-01	Lager .....	Bearing .....		
47	1				1139-1426-01	Motordrev .....	Motor gear .....		
58	1				1139-1330-01	Hylsa .....	Collar .....		
59	1				1139-1435-01	Hylsa .....	Collar .....		
60	1				1139-1440-01	Axel .....	Pin .....		
61	1				1139-1439-01	Differentialdrev kpl .....	Differential gear kit .....		
62	1				1139-1429-01	Slutdrev .....	Final gear .....		
63	1				1139-1427-01	Hylsa .....	Collar .....		
64	1				1139-1256-01	Reduktionsaxel .....	Reduction shaft .....		
65	2				1139-1398-01	Bricka .....	Washer .....		
66	1				1139-1430-01	Reduktionsdrev .....	Reduction gear .....		
67	1				1139-1361-01	Slutdrev .....	Final pinion .....		
68	1				1139-1432-01	Hjulaxel .....	Axle .....		
69	1				1139-1431-01	Hjulaxel .....	Axle .....		
70	2				1139-1194-01	Tryckbricka .....	Thrust washer .....		
71	2				1139-1155-01	Låsring .....	Ring .....		
72	2				1139-1044-01	Tätning .....	Seal .....		
73	2				1139-1156-01	Bussning .....	Bushing .....		
74	2				1139-1415-01	• Bussning .....	• Bushing .....		
75	1				1139-1260-01	Bromssko .....	Brake shoe .....		
83	1				1139-1450-01	Tätningshuv .....	Sealing cap .....		
99	1				1139-1443-01	Tätningmedel .....	Sealant .....		
200	1				1139-1436-01	Servicesats .....	Seal kit .....		



1 K574B Transmission

**K574B Seal Kit**

Kit Includes

#19	#91
#20	#92
#23	#94
#30	#99
#59	#103
#72	#104
#81	#105

All parts may not be used.

200

201

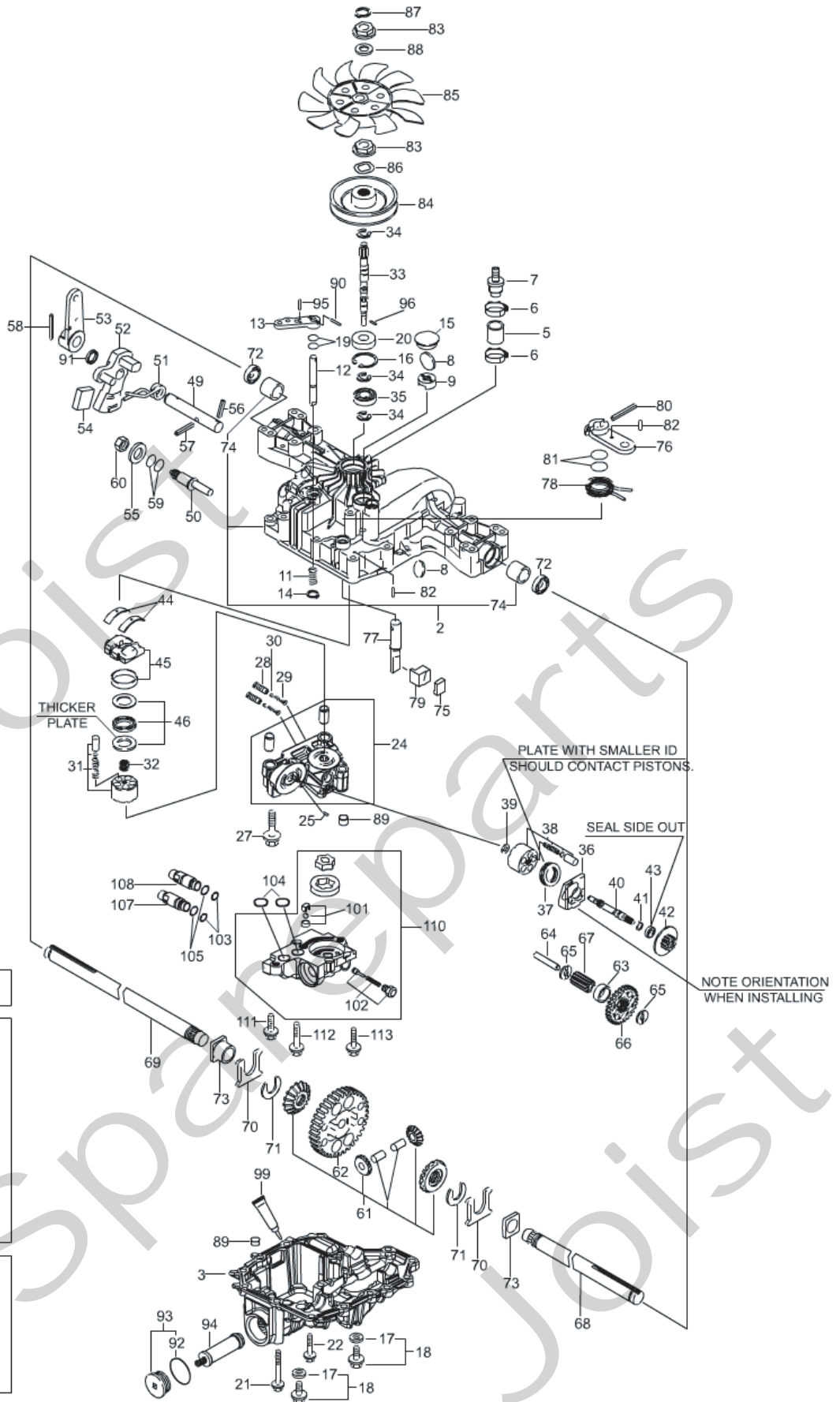
**K574B Repair Kit**

Kit Includes

#24	#38
#31	
#200-Seal Kit	

All parts may not be used.

Utgåva Issue		Bildnr Picture No		KANZAKI TRANSAXEL K574B		KANZAKI TRANSAXLE K574B		Sida Page	
2007- 11		2219						374	
Pos. Fig.	Antal/Quantity				Art nr Part No	Benämning	Description	Sats Kit	Anmärkning Notes
	574B								
1	1			1134-6028-01	Transaxel kpl.....	Transaxle assy.....		Kanzaki K574B Inkl. pos 74	
2	1			1139-1470-01	Hus- övre .....	Housing- upper .....			
3	1			1139-1457-01	Hus- nedre .....	Housing- lower .....			
5	1			1139-1301-01	Rör .....	Tube .....			
6	2			1139-1336-01	Slangklämma.....	Hose clamp .....			
7	1			1139-1306-01	Adapter.....	Adapter .....			
8	2			1139-1150-01	Magnet .....	Magnet .....			
9	1			1139-1341-01	Hållare- magnet .....	Holder- magnet .....			
11	1			1139-1347-01	Fjäder.....	Spring .....			
12	1			1139-1251-01	Axel- bypass .....	Shaft- bypass .....			
13	1			1139-1189-01	Arm- bypass .....	Lever- bypass .....			
14	1			1139-1161-01	Låsring .....	Ring .....			
15	1			1139-1275-01	Plugg.....	Bore plug .....			
16	1			1139-1104-01	Låsring .....	Snap ring .....			
17	2			1139-1103-01	• Tätningbricka .....	• Seal washer.....			
18	2			1139-1123-01	Bult .....	Bolt .....	Inkl. pos 17		
20	1			1139-1119-01	Tätning .....	Seal .....			
21	4			1139-1473-01	Bult.....	Bolt .....			
22	12			1139-0244-01	Skruv.....	Tapping screw.....			
24	1			1139-1465-01	Centrumhus.....	Center case .....			
25	1			1139-1158-01	Stift.....	Pin .....			
27	2			1139-1294-01	Bult.....	Bolt .....			
28	2			1139-1468-01	Ventil .....	IDS valve.....			
29	2			1139-1243-01	Fjäder.....	Spring .....			
30	2			1139-1307-01	Filter .....	Filter .....			
31	1			1139-1356-01	Cylinderblock kpl .....	Cylinder block assy .....			
32	1			1139-1245-01	Fjäder.....	Spring .....			
33	1			1139-1466-01	Pumpaxel.....	Pump shaft .....			
34	3			1139-1146-01	Låsring .....	Ring .....			
35	1			1139-1110-01	Kullager .....	Ball bearing .....			
36	1			1139-1458-01	Hus .....	Housing .....			
37	1			1139-1438-01	Lager .....	Bearing.....			
38	1			1139-1454-01	Cylinderblock.....	Cylinder block .....			
39	1			1139-1160-01	Bricka .....	Washer.....			
40	1			1139-1353-01	Motoraxel .....	Motor shaft .....			
41	1			1139-1021-01	Låsring .....	Snap ring .....			
42	1			1139-1272-01	Motordrev.....	Motor gear .....			
43	1			1139-1453-01	Lager .....	Bearing.....			
44	2			1139-1066-01	Tryckplatta .....	Metal thrust.....			
45	1			1139-1067-01	Stänkplatta kpl .....	Swash plate assy .....			
46	1			1139-1068-01	Lager .....	Bearing.....			
49	1			1139-1354-01	Regleraxel.....	Control shaft .....			
50	1			1139-1410-01	Excenter.....	Fulcrum.....			
51	1			1139-1312-01	Fjäder.....	Spring .....			
52	1			1139-1409-01	Reglerarm.....	Control arm.....			
53	1			1139-1325-01	Reglerarm.....	Control lever .....			
54	1			1139-1408-01	Ryckplatta.....	Jerky plate.....			
55	1			1139-1102-01	Bricka .....	Washer.....			
56	1			1139-1355-01	Saxpinne.....	Cotter pin .....			
57	1			1139-1329-01	Stift.....	Pin .....			
58	1			1139-1285-01	Stift.....	Pin .....			
60	1			1139-1127-01	Mutter.....	Nut .....			
61	1			1139-1404-01	Differentialdrev kpl .....	Differential gear kit.....			
62	1			1139-1258-01	Slutdrev .....	Final gear .....			
63	1			1139-1255-01	Hylsa .....	Collar .....			
64	1			1139-1256-01	Reduktionsaxel .....	Reduction shaft.....			
65	2			1139-1398-01	Bricka .....	Washer.....			
66	1			1139-1267-01	Reduktionsdrev .....	Reduction gear.....			
67	1			1139-1361-01	Slutdrev .....	Final pinion .....			
68	1			1139-1344-01	Hjulaxel- vä .....	Axle shaft- left .....			
69	1			1139-1345-01	Hjulaxel- hö .....	Axle shaft- right.....			
70	2			1139-1078-01	Tryckbricka .....	Thrust washer .....			
71	2			1139-1163-01	Låsring .....	Ring .....			



1- K574B Transmission

K574B Seal Kit	
Kit Includes	
#19	#91
#20	#92
#23	#94
#30	#99
#59	#103
#72	#104
#81	#105

All parts may not be used.

200-

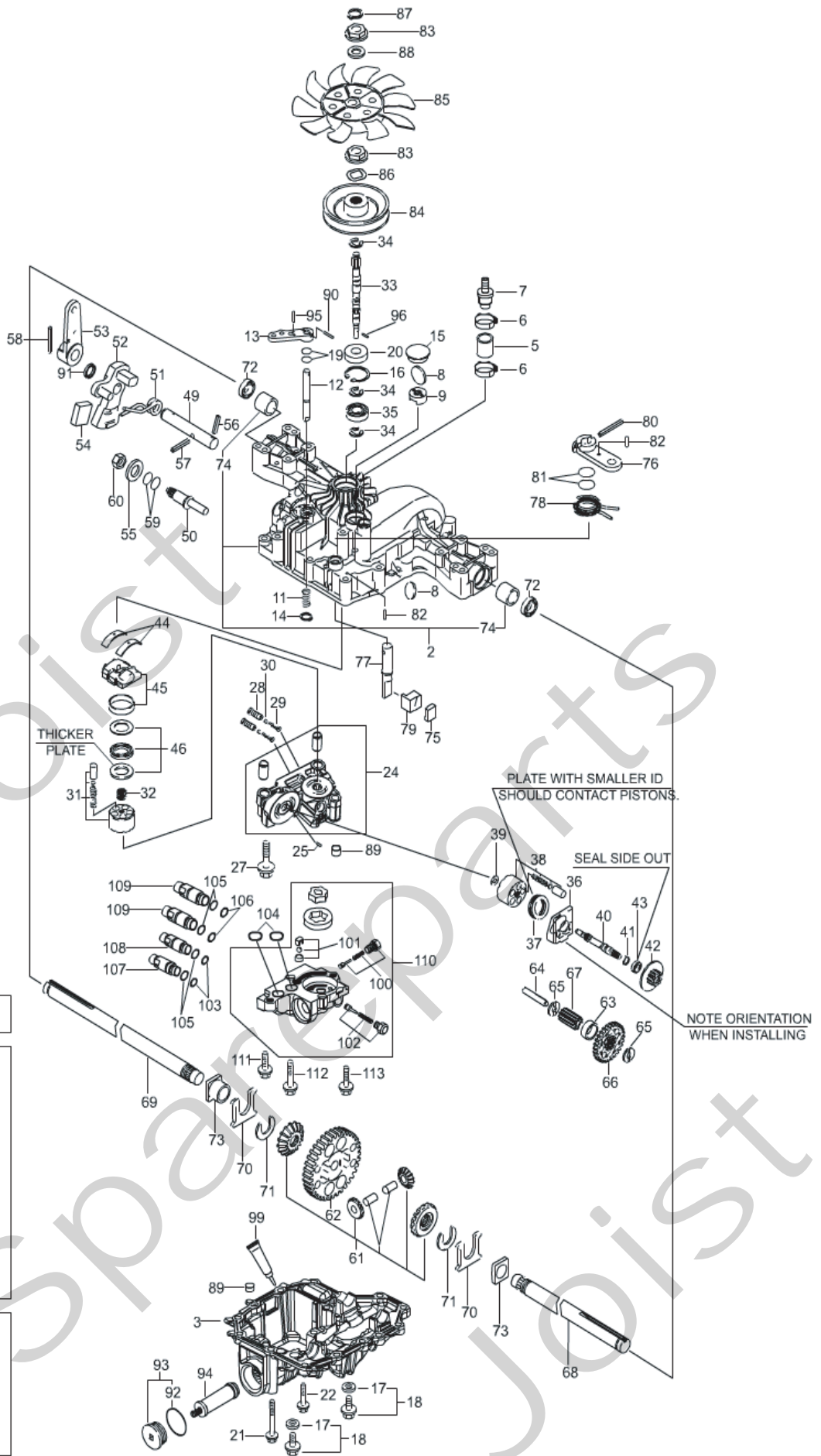
K574B Repair Kit	
Kit Includes	
#24	#38
#31	
#200-Seal Kit	

All parts may not be used.

201-



Utgåva Issue 2007- 11		Bildnr Picture No 2219		KANZAKI TRANSAXEL K574B		KANZAKI TRANSAXLE K574B		Sida Page 376	
Pos. Fig.	Antal/Quantity				Art nr Part No	Benämning	Description	Sats Kit	Anmärkning Notes
	574B								
72	2			1139-1080-01	Tätning .....	Seal .....			
73	2			1139-1164-01	Bussning .....	Bushing .....			
74	2			1139-1414-01	• Bussning .....	• Bushing .....			
75	1			1139-1260-01	Bromssko .....	Brake shoe .....			
76	1			1139-1261-01	Bromsarm .....	Brake arm .....			
77	1			1139-1320-01	Bromsaxel .....	Brake shaft .....			
78	1			1139-1411-01	Returfjäder .....	Return spring .....			
79	1			1139-1264-01	Bromstryckare .....	Brake actuator .....			
80	1			1139-1282-01	Stift .....	Pin .....			
82	2			1139-1281-01	Stift .....	Pin .....			
83	2			1139-1248-01	Krage .....	Spline collar .....			
84	1			1139-1469-01	Remskiva .....	Pulley .....			
85	1			1134-4190-01	Fläkt .....	Fan .....			
86	1			1139-1266-01	Låsbricka .....	Lock washer .....			
87	1			1139-1149-01	Låsring .....	Snap ring .....			
88	1			1139-1276-01	Bricka .....	Collar .....			
89	4			1139-1166-01	Tapp .....	Pin .....			
90	1			1139-1280-01	Stift .....	Pin .....			
91	1			1139-1303-01	Tätningring .....	Oil seal .....			
92	1			1139-1290-01	• Packning .....	• Packing .....			
93	1			1139-1230-01	Lock .....	Cap .....		Inkl. pos 92	
94	1			1139-1186-01	Filter .....	Filter .....			
95	1			1139-1279-01	Stift .....	Pin .....			
96	1			1139-1452-01	Sprint .....	Pin .....			
99	1			1139-1443-01	Tätningmedel .....	Sealant .....			
101	1			1139-1234-01	• Ventil kpl .....	• Check assy .....			
102	1			1139-1463-01	• Ventil .....	• Valve .....			
107	1			1139-1459-01	Nippel .....	Piping .....			
108	1			1139-1460-01	Nippel .....	Piping .....			
X 110	1			1139-1483-01	Pumphus kpl .....	Pump case assy .....		Inkl. pos 101 - 102	
111	1			1139-1472-01	Bult .....	Bolt .....			
112	1			1139-1455-01	Skruv .....	Tapping screw .....			
113	1			1139-1471-01	Bult .....	Bolt .....			
X 200	1			1139-1481-01	Servicesats .....	Seal kit .....			



1- K574F Transmission

**K574F Seal Kit**

**Kit Includes**

- |     |      |
|-----|------|
| #19 | #92  |
| #20 | #94  |
| #23 | #99  |
| #30 | #103 |
| #59 | #104 |
| #72 | #105 |
| #81 | #106 |
| #91 |      |

All parts may not be used.

**K574F Repair Kit**

**Kit Includes**

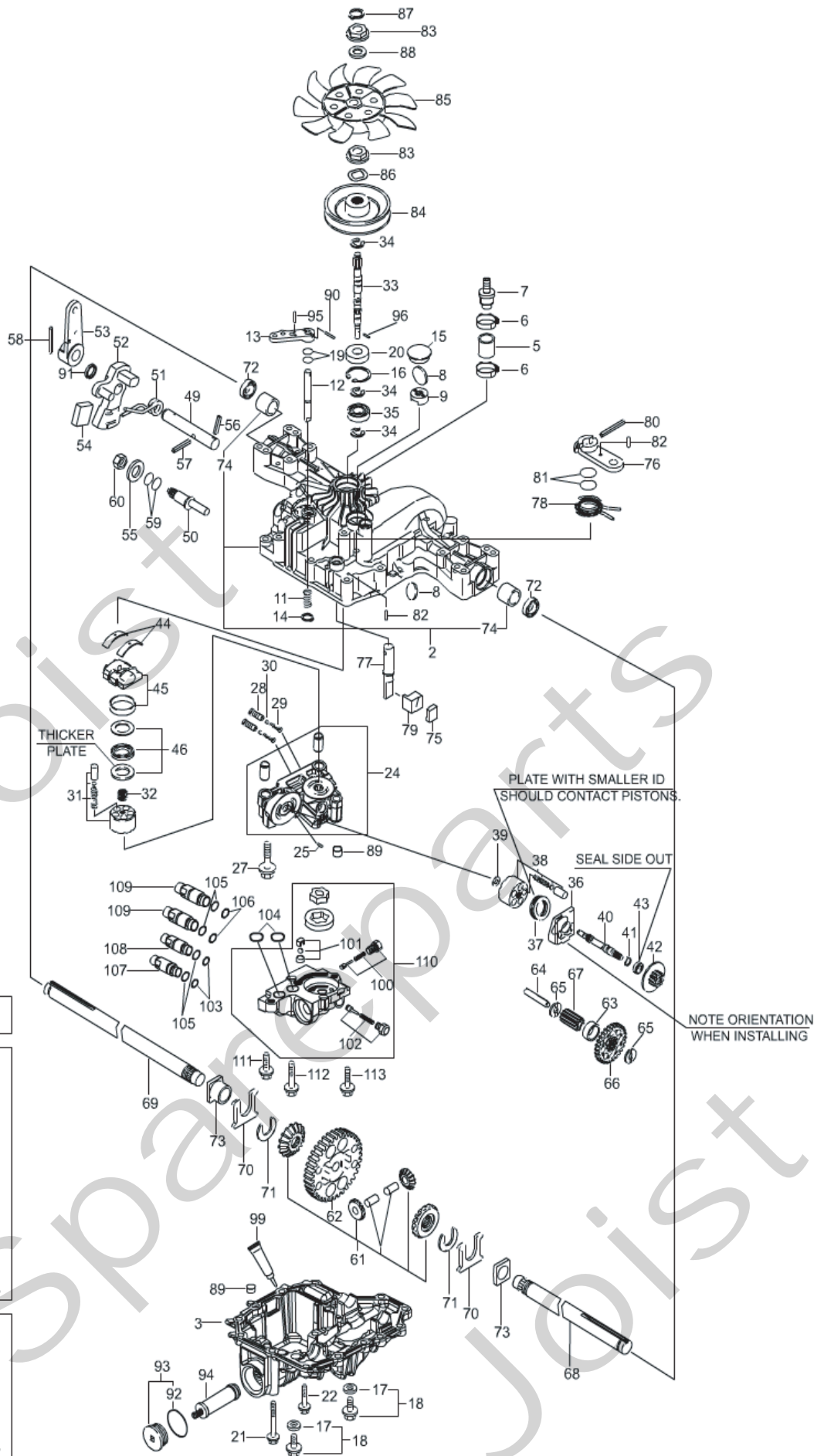
- |               |     |
|---------------|-----|
| #24           | #38 |
| #31           |     |
| #200-Seal Kit |     |

All parts may not be used.

200-

201-

Utgåva Issue		Bildnr Picture No		KANZAKI TRANSAXEL K574F		KANZAKI TRANSAXLE K574F		Sida Page	
2007- 11		2220						378	
Pos. Fig.	Antal/Quantity				Art nr Part No	Benämning	Description	Sats Kit	Anmärkning Notes
	574F								
1	1			1134-6129-01	Transaxel kpl.....	Transaxle assy.....		Kanzaki K574F Inkl. pos 74	
2	1			1139-1470-01	Hus- övre .....	Housing- upper .....			
3	1			1139-1456-01	Hus- nedre .....	Housing- lower .....			
5	1			1139-1301-01	Rör .....	Tube .....			
6	2			1139-1336-01	Slangklämma.....	Hose clamp .....			
7	1			1139-1306-01	Adapter.....	Adapter .....			
8	2			1139-1150-01	Magnet .....	Magnet .....			
9	1			1139-1341-01	Hållare- magnet .....	Holder- magnet .....			
11	1			1139-1347-01	Fjäder.....	Spring .....			
12	1			1139-1251-01	Axel- bypass .....	Shaft- bypass .....			
13	1			1139-1189-01	Arm- bypass .....	Lever- bypass .....			
14	1			1139-1161-01	Låsring .....	Ring .....			
15	1			1139-1275-01	Plugg.....	Bore plug .....			
16	1			1139-1104-01	Låsring .....	Snap ring .....			
17	2			1139-1103-01	• Tätningbricka .....	• Seal washer.....			
18	2			1139-1123-01	Bult .....	Bolt .....	Inkl. pos 17		
20	1			1139-1119-01	Tätning .....	Seal .....			
21	4			1139-1473-01	Bult.....	Bolt .....			
22	12			1139-0244-01	Skruv.....	Tapping screw.....			
24	1			1139-1465-01	Centrumhus.....	Center case .....			
25	1			1139-1158-01	Stift.....	Pin .....			
27	2			1139-1294-01	Bult.....	Bolt .....			
28	2			1139-1468-01	Ventil .....	IDS valve.....			
29	2			1139-1243-01	Fjäder.....	Spring .....			
30	2			1139-1307-01	Filter .....	Filter .....			
31	1			1139-1356-01	Cylinderblock kpl .....	Cylinder block assy .....			
32	1			1139-1245-01	Fjäder.....	Spring .....			
33	1			1139-1466-01	Pumpaxel.....	Pump shaft .....			
34	3			1139-1146-01	Låsring .....	Ring .....			
35	1			1139-1110-01	Kullager .....	Ball bearing .....			
36	1			1139-1458-01	Hus .....	Housing .....			
37	1			1139-1438-01	Lager .....	Bearing.....			
38	1			1139-1454-01	Cylinderblock.....	Cylinder block .....			
39	1			1139-1160-01	Bricka .....	Washer.....			
40	1			1139-1353-01	Motoraxel .....	Motor shaft .....			
41	1			1139-1021-01	Låsring .....	Snap ring .....			
42	1			1139-1272-01	Motordrev.....	Motor gear .....			
43	1			1139-1453-01	Lager .....	Bearing.....			
44	2			1139-1066-01	Tryckplatta .....	Metal thrust.....			
45	1			1139-1067-01	Stänkplatta kpl .....	Swash plate assy .....			
46	1			1139-1068-01	Lager .....	Bearing.....			
49	1			1139-1354-01	Regleraxel.....	Control shaft .....			
50	1			1139-1410-01	Excenter.....	Fulcrum.....			
51	1			1139-1312-01	Fjäder.....	Spring .....			
52	1			1139-1409-01	Reglerarm.....	Control arm.....			
53	1			1139-1325-01	Reglerarm.....	Control lever .....			
54	1			1139-1408-01	Ryckplatta.....	Jerky plate.....			
55	1			1139-1102-01	Bricka .....	Washer.....			
56	1			1139-1355-01	Saxpinne.....	Cotter pin .....			
57	1			1139-1329-01	Stift.....	Pin .....			
58	1			1139-1285-01	Stift.....	Pin .....			
60	1			1139-1127-01	Mutter.....	Nut .....			
61	1			1139-1404-01	Differentialdrev kpl .....	Differential gear kit.....			
62	1			1139-1258-01	Slutdrev .....	Final gear .....			
63	1			1139-1255-01	Hylsa .....	Collar .....			
64	1			1139-1256-01	Reduktionsaxel .....	Reduction shaft.....			
65	2			1139-1398-01	Bricka .....	Washer.....			
66	1			1139-1267-01	Reduktionsdrev .....	Reduction gear.....			
67	1			1139-1361-01	Slutdrev .....	Final pinion .....			
68	1			1139-1344-01	Hjulaxel- vä .....	Axle shaft- left .....			
69	1			1139-1345-01	Hjulaxel- hö.....	Axle shaft- right.....			
70	2			1139-1078-01	Tryckbricka .....	Thrust washer .....			
71	2			1139-1163-01	Låsring .....	Ring .....			



1- K574F Transmission

**K574F Seal Kit**

**Kit Includes**

- |     |      |
|-----|------|
| #19 | #92  |
| #20 | #94  |
| #23 | #99  |
| #30 | #103 |
| #59 | #104 |
| #72 | #105 |
| #81 | #106 |
| #91 |      |

All parts may not be used.

**K574F Repair Kit**

**Kit Includes**

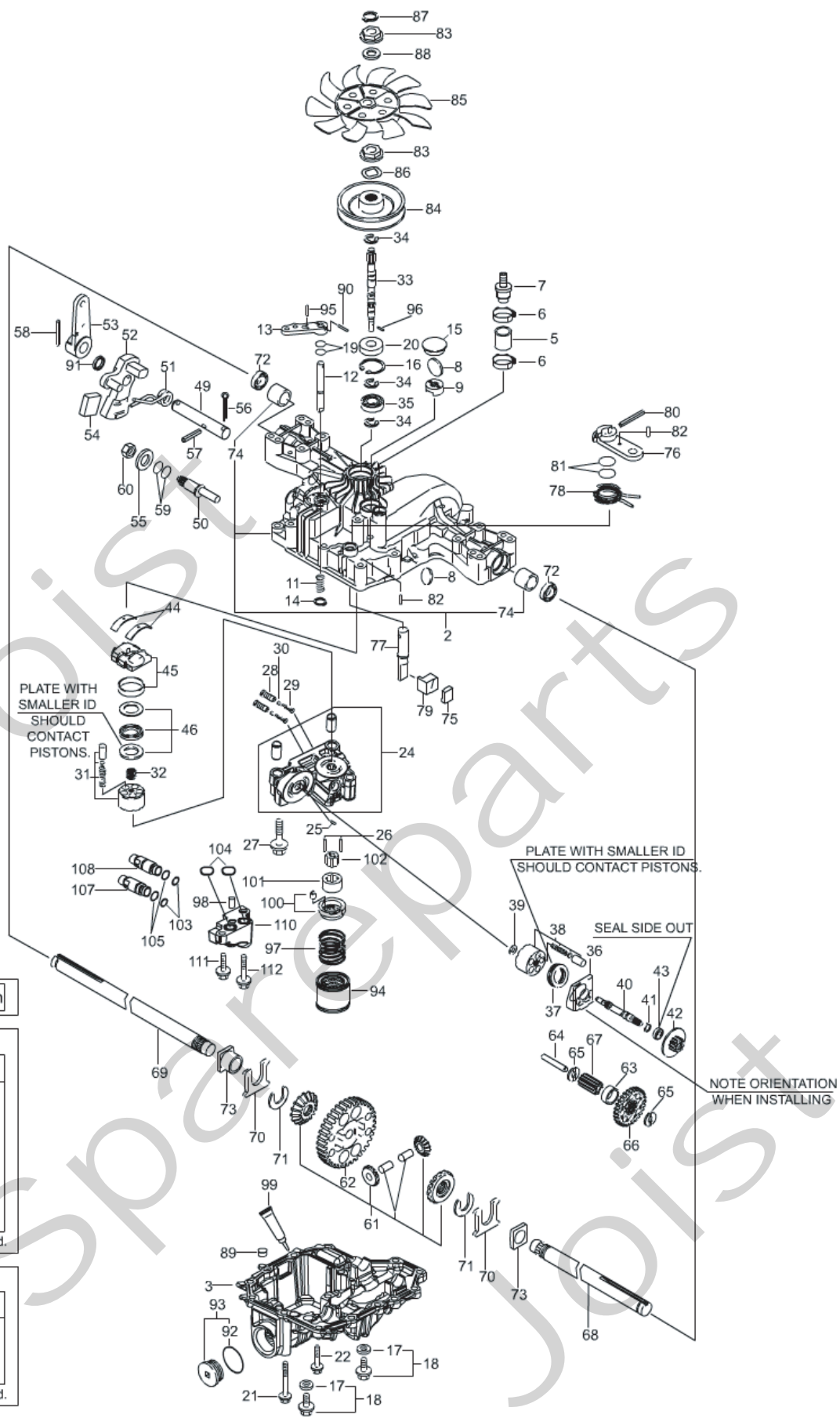
- |               |     |
|---------------|-----|
| #24           | #38 |
| #31           |     |
| #200-Seal Kit |     |

All parts may not be used.

200-

201-

Utgåva Issue 2007- 11		Bildnr Picture No 2220		KANZAKI TRANSAXEL K574F		KANZAKI TRANSAXLE K574F		Sida Page 380	
Pos. Fig.	Antal/Quantity				Art nr Part No	Benämning	Description	Sats Kit	Anmärkning Notes
	574F								
72	2			1139-1080-01	Tätning .....	Seal .....			
73	2			1139-1164-01	Bussning .....	Bushing .....			
74	2			1139-1414-01	• Bussning .....	• Bushing .....			
75	1			1139-1260-01	Bromssko .....	Brake shoe .....			
76	1			1139-1261-01	Bromsarm .....	Brake arm .....			
77	1			1139-1320-01	Bromsaxel .....	Brake shaft .....			
78	1			1139-1411-01	Returfjäder .....	Return spring .....			
79	1			1139-1264-01	Bromstryckare .....	Brake actuator .....			
80	1			1139-1282-01	Stift .....	Pin .....			
82	2			1139-1281-01	Stift .....	Pin .....			
83	2			1139-1248-01	Krage .....	Spline collar .....			
84	1			1139-1469-01	Remskiva .....	Pulley .....			
85	1			1134-4190-01	Fläkt .....	Fan .....			
86	1			1139-1266-01	Låsbricka .....	Lock washer .....			
87	1			1139-1149-01	Låsring .....	Snap ring .....			
88	1			1139-1276-01	Bricka .....	Collar .....			
89	4			1139-1166-01	Tapp .....	Pin .....			
90	1			1139-1280-01	Stift .....	Pin .....			
91	1			1139-1303-01	Tätningssring .....	Oil seal .....			
92	1			1139-1290-01	• Packning .....	• Packing .....			
93	1			1139-1230-01	Lock .....	Cap .....		Inkl. pos 92	
94	1			1139-1186-01	Filter .....	Filter .....			
95	1			1139-1279-01	Stift .....	Pin .....			
96	1			1139-1452-01	Sprint .....	Pin .....			
99	1			1139-1443-01	Tätningssmedel .....	Sealant .....			
100	1			1139-1462-01	• Ventil .....	• Valve .....			
101	1			1139-1234-01	• Ventil kpl .....	• Check assy .....			
102	1			1139-1463-01	• Ventil .....	• Valve .....			
106	2			1139-1168-01	Packning .....	Packing .....			
107	1			1139-1459-01	Nippel .....	Piping .....			
108	1			1139-1460-01	Nippel .....	Piping .....			
109	2			1139-1464-01	Anslutning .....	Connector .....			
X 110	1			1139-1482-01	Pumphus kpl .....	Pump case assy .....		Inkl. pos 101 - 102	
111	1			1139-1472-01	Bult .....	Bolt .....			
112	1			1139-1455-01	Skruv .....	Tapping screw .....			
113	1			1139-1471-01	Bult .....	Bolt .....			
X 200	1			1139-1481-01	Servicesats .....	Seal kit .....			



1- K574G Transmission

K574G Seal Kit	
Kit Includes	
#17	#91
#19	#92
#20	#94
#30	#99
#59	#103
#72	#104
#81	#105

All parts may not be used.

200-

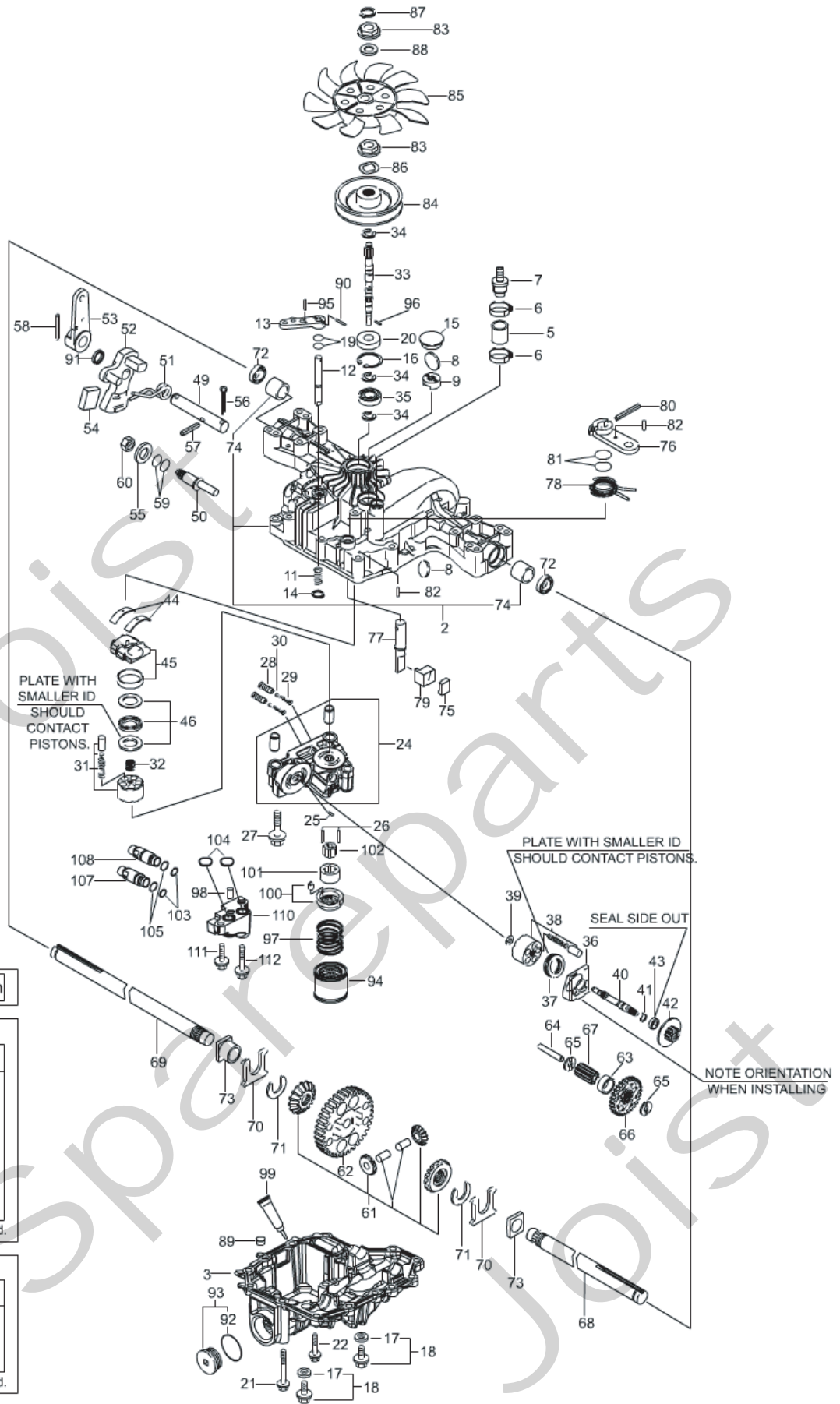
K574G Repair Kit	
Kit Includes	
#24	#38
#31	
#200-Seal Kit	

All parts may not be used.

201-



Utgåva Issue		Bildnr Picture No		KANZAKI TRANSAXEL K574G		KANZAKI TRANSAXLE K574G		Sida Page	
2007- 11		2221						382	
Pos. Fig.	Antal/Quantity				Art nr Part No	Benämning	Description	Sats Kit	Anmärkning Notes
	574G								
X	1	1			1134-6394-01	Transaxel kpl.....	Transaxle assy.....		Kanzaki K574G Inkl. pos 74  Inkl. pos 17
	2	1			1139-1470-01	Hus- övre .....	Housing- upper .....		
	3	1			1139-1456-01	Hus- nedre .....	Housing- lower .....		
	5	1			1139-1301-01	Rör .....	Tube .....		
	6	2			1139-1336-01	Slangklämma.....	Hose clamp .....		
	7	1			1139-1306-01	Adapter.....	Adapter .....		
	8	2			1139-1150-01	Magnet .....	Magnet .....		
	9	1			1139-1341-01	Hållare- magnet .....	Holder- magnet .....		
	11	1			1139-1347-01	Fjäder.....	Spring .....		
	12	1			1139-1251-01	Axel- bypass .....	Shaft- bypass .....		
	13	1			1139-1189-01	Arm- bypass .....	Lever- bypass.....		
	14	1			1139-1161-01	Låsring .....	Ring .....		
	15	1			1139-1275-01	Plugg.....	Bore plug .....		
	16	1			1139-1104-01	Låsring .....	Snap ring .....		
	17	2			1139-1103-01	• Tätningbricka .....	• Seal washer.....		
	18	2			1139-1123-01	Bult .....	Bolt .....		
	20	1			1139-1119-01	Tätning .....	Seal .....		
	21	4			1139-1473-01	Bult.....	Bolt .....		
	22	12			1139-0244-01	Skruv.....	Tapping screw.....		
X	24	1			1139-1487-01	Centrumhus.....	Center case .....		
	25	1			1139-1158-01	Stift.....	Pin .....		
X	26	2			1139-1497-01	Stift.....	Pin .....		
	27	2			1139-1294-01	Bult.....	Bolt .....		
	28	2			1139-1468-01	Ventil .....	IDS valve.....		
	29	2			1139-1243-01	Fjäder.....	Spring .....		
	30	2			1139-1307-01	Filter .....	Filter .....		
	31	1			1139-1356-01	Cylinderblock kpl .....	Cylinder block assy .....		
	32	1			1139-1245-01	Fjäder.....	Spring .....		
X	33	1			1139-1493-01	Pumpaxel.....	Pump shaft .....		
	34	3			1139-1146-01	Låsring .....	Ring .....		
	35	1			1139-1110-01	Kullager .....	Ball bearing .....		
	36	1			1139-1458-01	Hus.....	Housing .....		
	37	1			1139-1438-01	Lager .....	Bearing.....		
	38	1			1139-1454-01	Cylinderblock.....	Cylinder block .....		
	39	1			1139-1160-01	Bricka .....	Washer.....		
	40	1			1139-1353-01	Motoraxel .....	Motor shaft .....		
	41	1			1139-1021-01	Låsring .....	Snap ring .....		
	42	1			1139-1272-01	Motordrev.....	Motor gear .....		
	43	1			1139-1453-01	Lager .....	Bearing.....		
	44	2			1139-1066-01	Tryckplatta .....	Metal thrust.....		
	45	1			1139-1067-01	Stänklatta kpl.....	Swash plate assy .....		
	46	1			1139-1068-01	Lager .....	Bearing.....		
	49	1			1139-1354-01	Regleraxel.....	Control shaft .....		
	50	1			1139-1410-01	Excenter.....	Fulcrum.....		
	51	1			1139-1312-01	Fjäder.....	Spring .....		
	52	1			1139-1409-01	Reglerarm.....	Control arm .....		
	53	1			1139-1325-01	Reglerarm.....	Control lever .....		
	54	1			1139-1408-01	Ryckplatta.....	Jerky plate.....		
	55	1			1139-1102-01	Bricka .....	Washer.....		
	56	1			1139-1355-01	Saxpinne.....	Cotter pin .....		
	57	1			1139-1329-01	Stift.....	Pin .....		
	58	1			1139-1285-01	Stift.....	Pin .....		
	60	1			1139-1127-01	Mutter.....	Nut .....		
	61	1			1139-1404-01	Differentialdrev kpl .....	Differential gear kit.....		
	62	1			1139-1258-01	Slutdrev .....	Final gear .....		
	63	1			1139-1255-01	Hylsa .....	Collar .....		
	64	1			1139-1256-01	Reduktionsaxel .....	Reduction shaft.....		
	65	2			1139-1398-01	Bricka .....	Washer.....		
	66	1			1139-1267-01	Reduktionsdrev .....	Reduction gear.....		
	67	1			1139-1361-01	Slutdrev .....	Final pinion .....		
	68	1			1139-1344-01	Hjulaxel- vä.....	Axle shaft- left.....		
	69	1			1139-1345-01	Hjulaxel- hö.....	Axle shaft- right.....		
	70	2			1139-1078-01	Tryckbricka .....	Thrust washer .....		



1- K574G Transmission

**K574G Seal Kit**

**Kit Includes**

- |     |      |
|-----|------|
| #17 | #91  |
| #19 | #92  |
| #20 | #94  |
| #30 | #99  |
| #59 | #103 |
| #72 | #104 |
| #81 | #105 |

All parts may not be used.

200-

**K574G Repair Kit**

**Kit Includes**

- |               |     |
|---------------|-----|
| #24           | #38 |
| #31           |     |
| #200-Seal Kit |     |

All parts may not be used.

201-



Utgåva Issue 2007- 11		Bildnr Picture No 2221		KANZAKI TRANSAXEL K574G		KANZAKI TRANSAXLE K574G		Sida Page 384	
Pos. Fig.	Antal/Quantity				Art nr Part No	Benämning	Description	Sats Kit	Anmärkning Notes
	574G								
	71	2			1139-1163-01	Låsring .....	Ring .....		
	72	2			1139-1080-01	Tätning .....	Seal .....		
	73	2			1139-1164-01	Bussning .....	Bushing .....		
	74	2			1139-1414-01	• Bussning .....	• Bushing .....		
	75	1			1139-1260-01	Bromssko .....	Brake shoe .....		
	76	1			1139-1261-01	Bromsarm .....	Brake arm .....		
	77	1			1139-1320-01	Bromsaxel .....	Brake shaft .....		
	78	1			1139-1411-01	Returfjäder .....	Return spring .....		
	79	1			1139-1264-01	Bromstryckare .....	Brake actuator .....		
	80	1			1139-1282-01	Stift .....	Pin .....		
	82	2			1139-1281-01	Stift .....	Pin .....		
	83	2			1139-1248-01	Krage .....	Spline collar .....		
	84	1			1139-1469-01	Remskiva .....	Pulley .....		
	85	1			1134-4190-01	Fläkt .....	Fan .....		
	86	1			1139-1266-01	Låsbricka .....	Lock washer .....		
	87	1			1139-1149-01	Låsring .....	Snap ring .....		
	88	1			1139-1276-01	Bricka .....	Collar .....		
	89	4			1139-1166-01	Tapp .....	Pin .....		
	90	1			1139-1280-01	Stift .....	Pin .....		
	91	1			1139-1303-01	Tätningsring .....	Oil seal .....		
	92	1			1139-1290-01	• Packning .....	• Packing .....		
	93	1			1139-1230-01	Lock .....	Cap .....		Inkl. pos 92
X	94	1			1139-1488-01	Filter .....	Filter .....		
	95	1			1139-1279-01	Stift .....	Pin .....		
X	96	1			1139-1495-01	Sprint .....	Pin .....		
X	97	1			1139-1492-01	Fjäder .....	Charge spring .....		
X	98	1			1139-1496-01	Pinne .....	Parallell pin .....		
	99	1			1139-1443-01	Tätningmedel .....	Sealant .....		
X	100	1			1139-1494-01	Pumphus .....	Pump case kit .....		
X	101	1			1139-1490-01	Rotor- yttre .....	Rotor- outer .....		
X	102	1			1139-1489-01	Rotor- inre .....	Rotor- inner .....		
	105	2			1139-0239-01	Packning .....	Packing .....		
	107	1			1139-1459-01	Nippel .....	Piping .....		
	108	1			1139-1460-01	Nippel .....	Piping .....		
X	110	1			1139-1491-01	Pumphus .....	Charge pump case .....		
	111	1			1139-1472-01	Bult .....	Bolt .....		
	112	1			1139-1455-01	Skruv .....	Tapping screw .....		
	113	1			1139-1471-01	Bult .....	Bolt .....		
X	200	1			1139-1481-01	Servicesats .....	Seal kit .....		