

Genuine Spare Parts

www.stiga.com

KANZAKI

Hydraulic pumps

Contains these hydraulic pumps

KPL-23ALP

KPS-23ALP

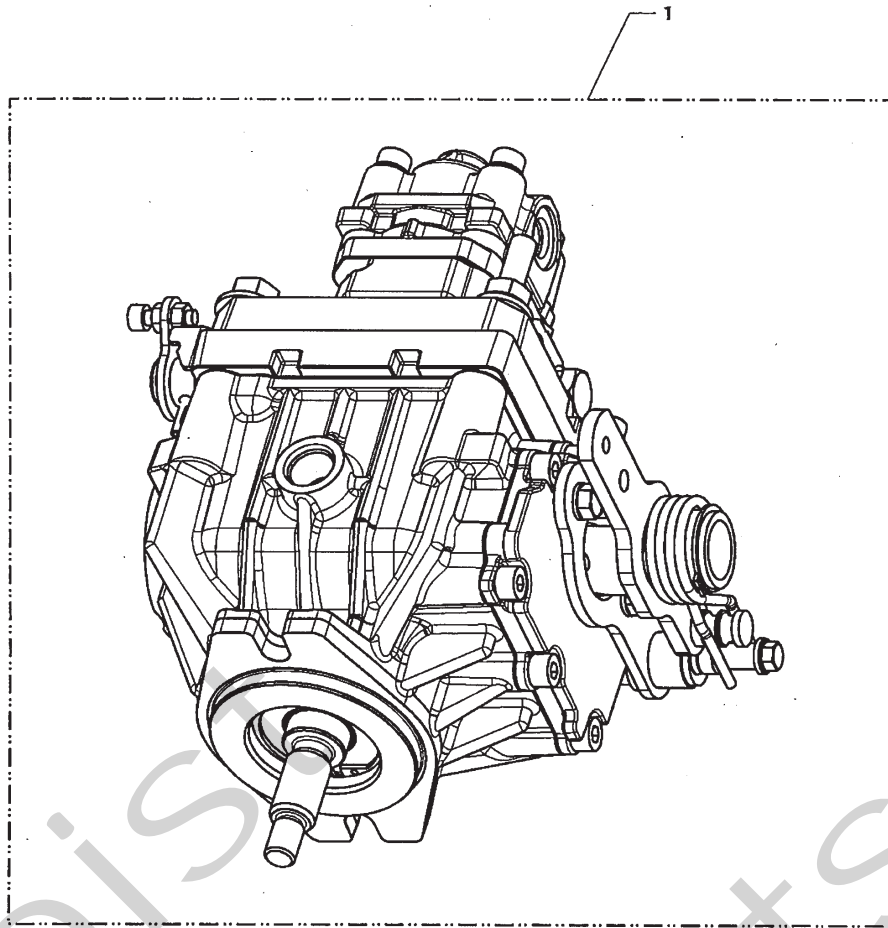
- Use GLOBAL GARDEN PRODUCT Genuine Spare Parts specified in the parts list for repair and/or replacement.
- The contents described in the parts list may change due to improvement.
- The drawings of the spare parts are only indicative and might not represent the part in question exactly.
- The indications "right" - "left" - "front" - "rear" refer to the position of the operator when using the machine.
- When placing orders of parts for repair and/or replacement, make sure that the illustrated parts list is the one applying to the machine's year of manufacture, as shown on the identification plate attached to the machine.

COPYRIGHT by GLOBAL GARDEN PRODUCTS

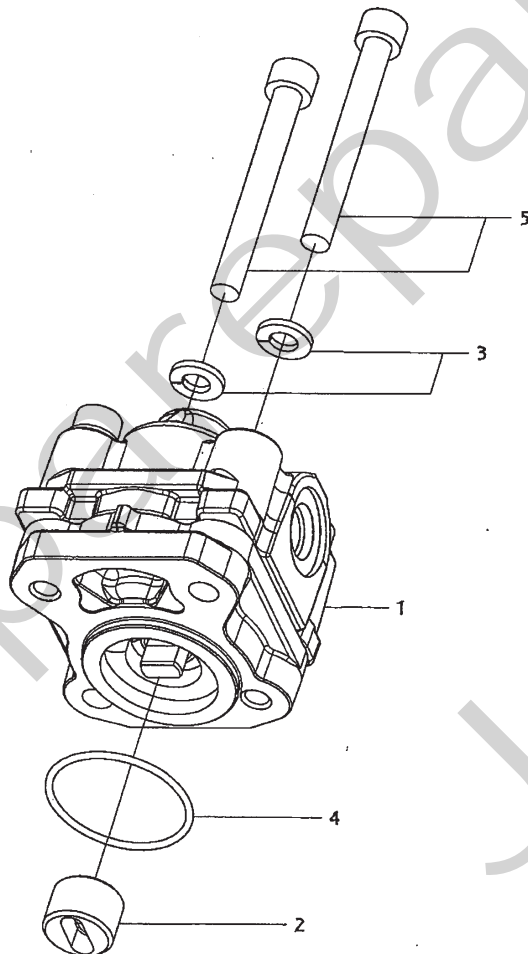
All rights reserved. No part of this material may be reproduced or transmitted, in any form or by any means, electronic or mechanical, including photocopying, recording or by any information storage and retrieval system, without permission in writing from GLOBAL GARDEN PRODUCTS.

STIGA®

A



B

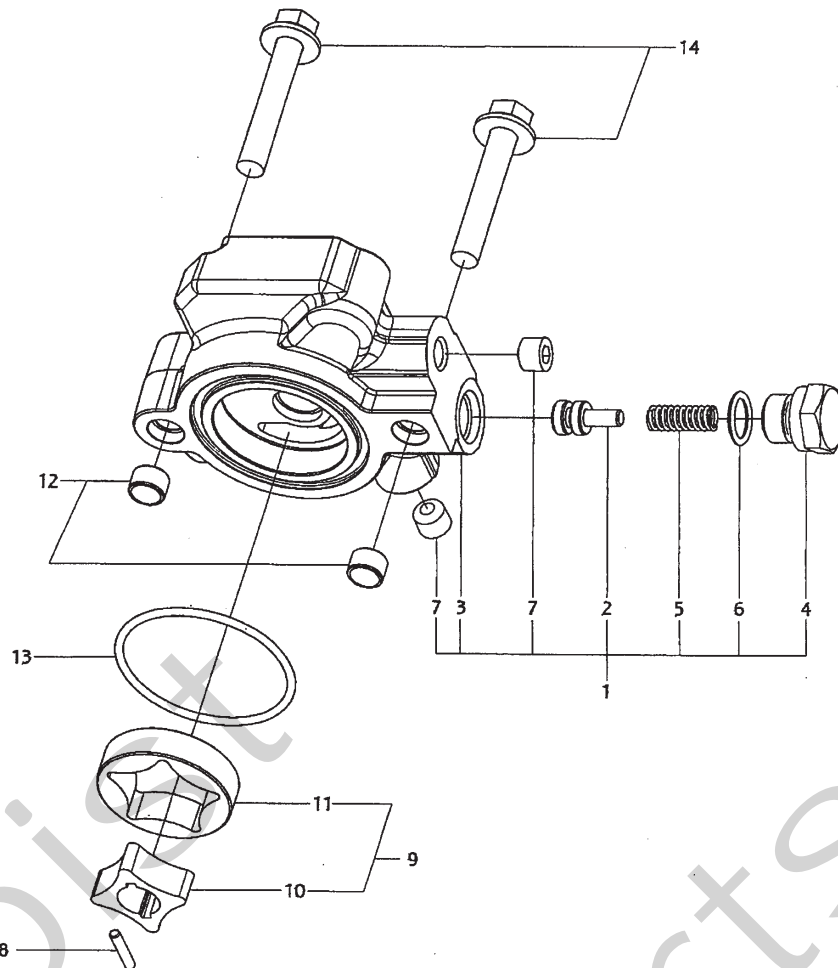


BL1025

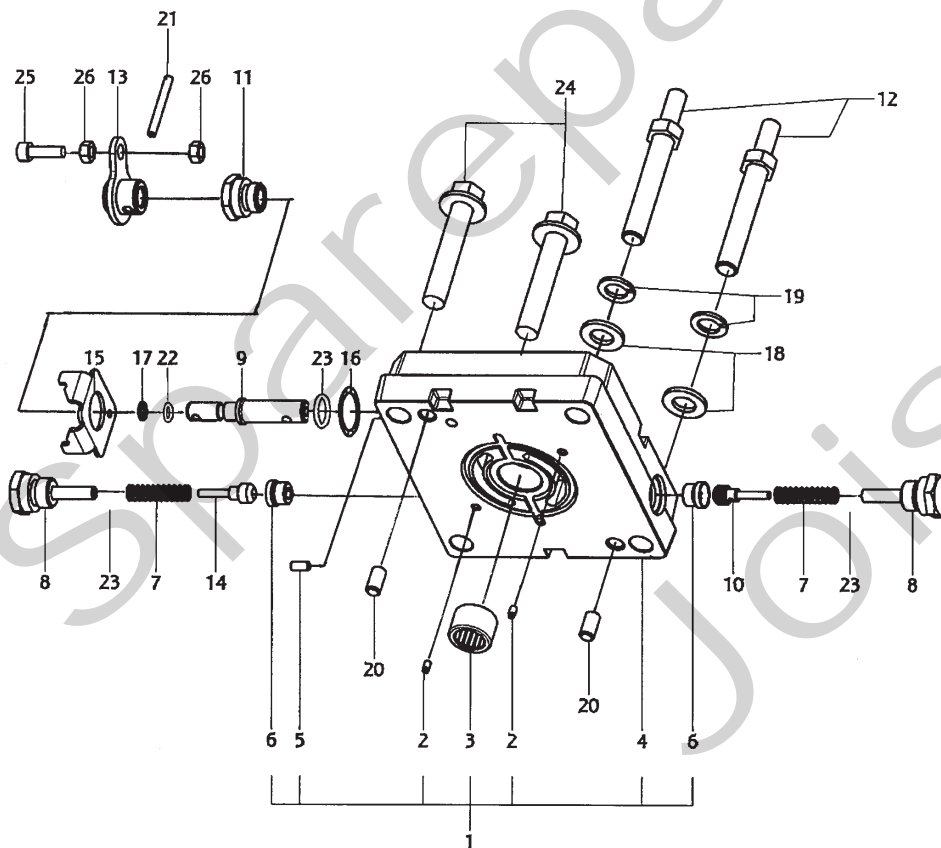


Utgåva Issue		Bildnr Picture No		KANZAKI HYDRAULPUMP KPL- 23ALP PUMP KPL- DREVPUMP		KANZAKI HYDRAULIC PUMP KPL- 23ALP PUMP UNIT- GEAR PUMP		Sida Page	
2010- 71		BL1025						2	
Pos. Fig.	Antal/Quantity				Art nr Part No	Benämning	Description	Sats Kit	Anmärkning Notes
	KPL -23 ALP								
A01	1				1134- 7012- 01	Hydraulpump.....	Hydraulic pump.....		KPL- 23ALP
B01	1				1139- 1540- 01	Pump.....	Pump		
B02	1				1139- 1539- 01	Koppling	Coupling.....		
B03	2				1139- 1573- 01	Bricka	Washer.....		
B04	1				1139- 1581- 01	Packning.....	Packing		
B05	2				1139- 1587- 01	Skruv	Bolt		

A



B

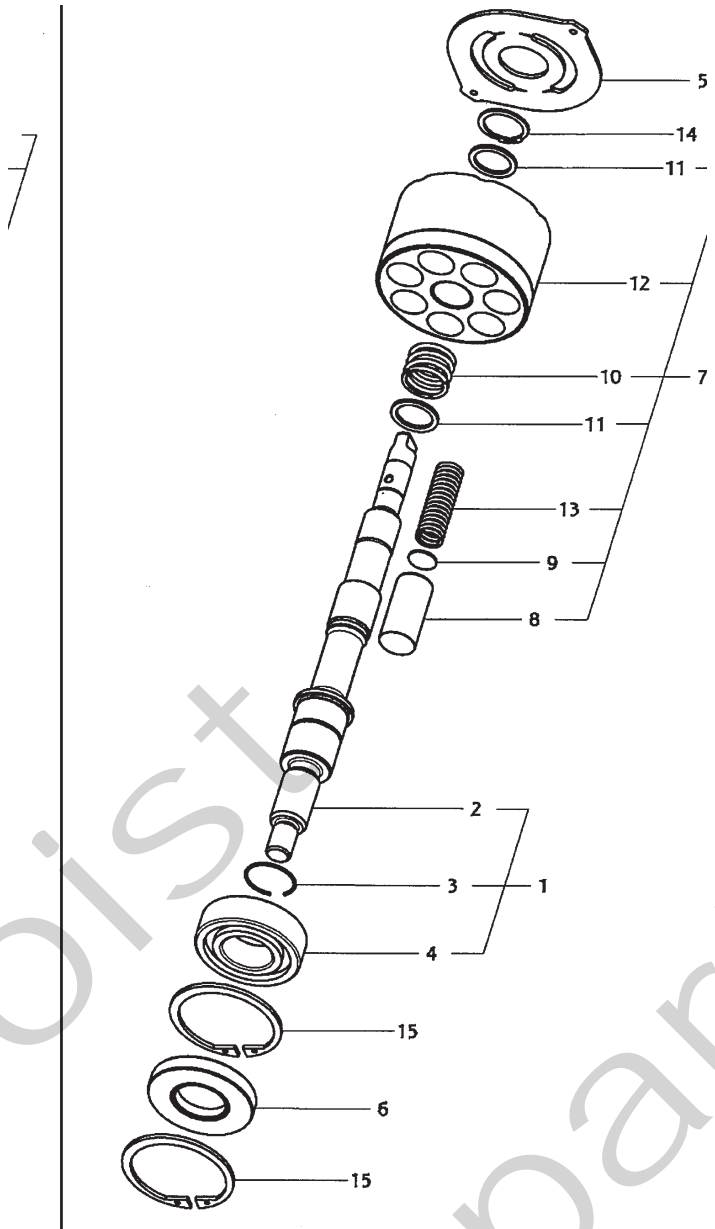


BL1026

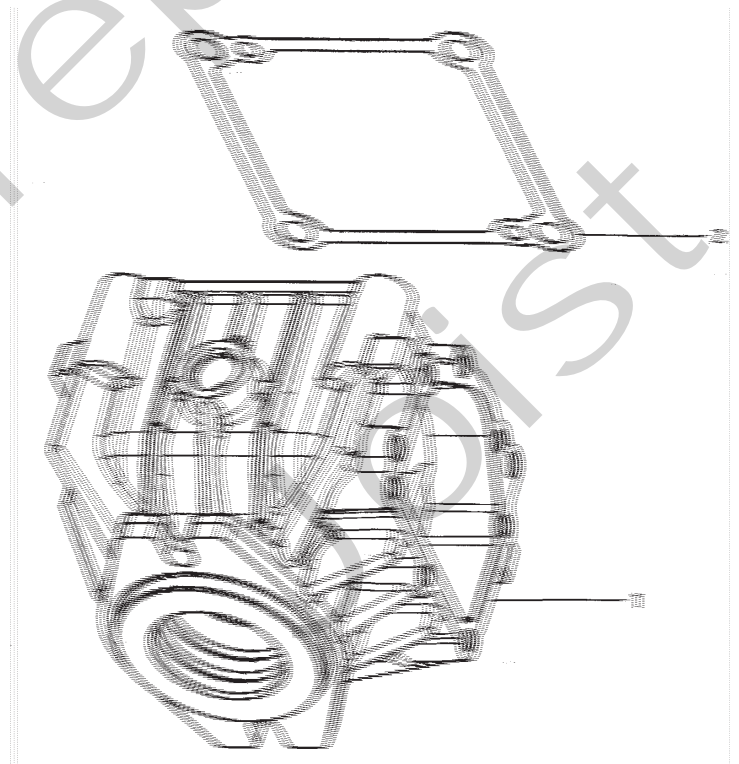


Utgåva Issue		Bildnr Picture No		KANZAKI HYDRAULPUMP KPL- 23ALP MATARPUMP- CENTRUMHUS		KANZAKI HYDRAULIC PUMP KPL- 23ALP CHARGE PUMP- CENT CASE		Sida Page	
2010- 71		BL1026						4	
Pos. Fig.	Antal/Quantity				Art nr Part No	Benämning	Description	Sats Kit	Anmärkning Notes
	KPL -23 ALP								
X	A01	1			1139- 1662- 01	Pumphus A kpl	Pump body A assy		Inkl. pos 2- 7
	A02	1			1139- 1571- 01	• Ventil	• Relief valve		
X	A03	1			1139- 1663- 01	• Pumphus A	• Pump body A		
	A04	1			1139- 1546- 01	• Plugg	• Plug		
	A05	1			1139- 1570- 01	• Fjäder	• Spring		
	A06	1			1139- 1168- 01	• Packning	• Packing		
	A07	2			1139- 1107- 01	• Plugg	• Plug		
X	A08	1			1139- 1652- 01	Stift	Pin		
X	A09	1			1139- 1664- 01	Rotor kpl	Rotor set		Inkl. pos 10- 11
	A12	2			1139- 1166- 01	Tapp	Pin		
X	A13	1			1139- 1683- 01	Packning	Packing		
	A14	2			1139- 1536- 01	Skruv	Bolt w/washer		
X	B01	1			1139- 1656- 01	Centrumhus kpl	Center case assy		Inkl. pos 2- 6
	B02	2			1139- 1058- 01	• Stift	• Knock pin		
	B05	1			1139- 1394- 01	• Stift	• Pin		
	B07	2			1139- 1547- 01	Fjäder	Spring (suction)		
	B08	2			1139- 1548- 01	Plugg	Check plug		
	B09	1			1139- 1549- 01	Axel	Bypass pin		
	B10	1			1139- 1368- 01	Ventil	Check valve F		
	B11	1			1139- 1371- 01	Adapter	By- pass adapter		
X	B12	2			1135- 3677- 01	Bult	Bolt		M12x70- M10x25
X	B12	2			1139- 1655- 01	Bult	Bolt		M12x70- M8x25
	B13	1			1139- 1372- 01	By- pass arm	By- pass lever		
	B14	1			1139- 1550- 01	Ventil	Check valve 1.2		
	B15	1			1139- 1373- 01	Plåt	By- pass plate		
	B16	1			1139- 1522- 01	Vågbricka	Wave washer		
	B17	1			1139- 1387- 01	Ring	Back- up ring		
	B18	2			1139- 1102- 01	Bricka	Washer		
X	B19	2			1139- 1679- 01	Bricka	Washer		
	B20	2			1139- 1496- 01	Pinne	Parallell pin		
	B21	1			1139- 1395- 01	Stift	Pin		
	B22	1			1139- 1112- 01	O- ring	O- ring		
	B23	3			1139- 1115- 01	O- ring	O- ring		
X	B24	2			1139- 1687- 01	Bult	Bolt		
	B25	1			1139- 1585- 01	Skruv	Bolt		
	B26	2			1139- 0247- 01	Mutter	Nut		

A



B

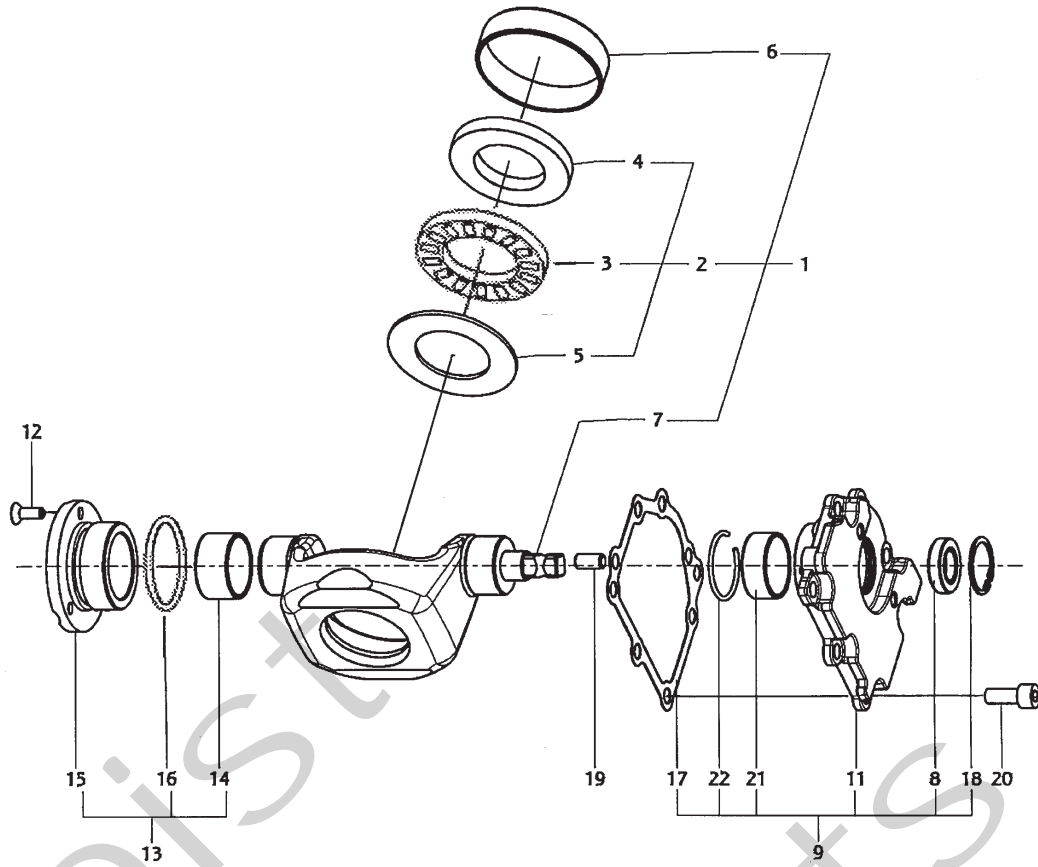


BL1027

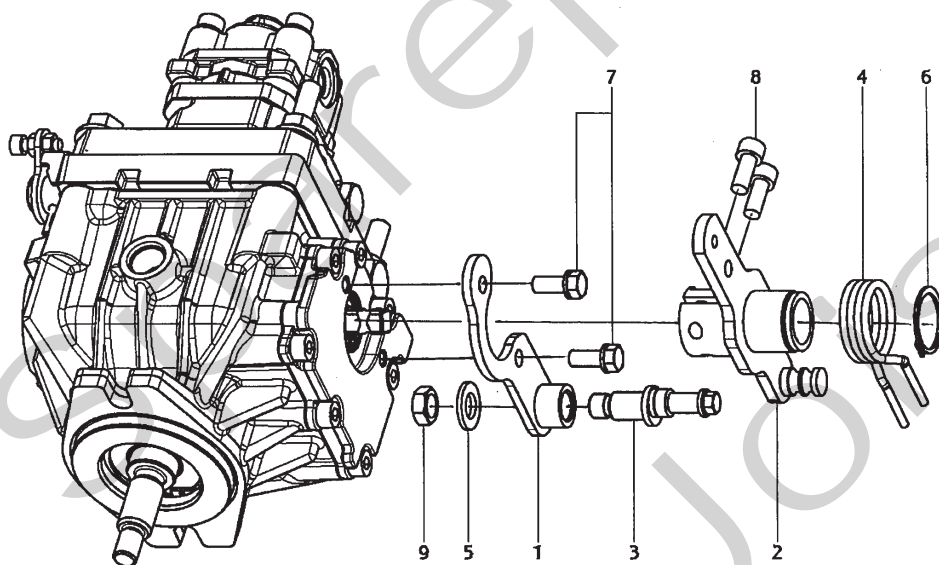


Utgåva Issue		Bildnr Picture No		KANZAKI HYDRAULPUMP KPL- 23ALP PUMP- HUS		KANZAKI HYDRAULIC PUMP KPL- 23ALP PUMP ASSY- HOUSING		Sida Page	
2010- 71		BL1027						6	
Pos. Fig.	Antal/Quantity				Art nr Part No	Benämning	Description	Sats Kit	Anmärkning Notes
	KPL -23 ALP								
X	A01	1			1139- 1657- 01	Pumpaxel kpl.....	Pump shaft assy		Inkl. pos 2- 4
X	A02	1			1139- 1658- 01	• Pumpaxel.....	• Pump shaft.....		
X	A03	1			1139- 1653- 01	• Ring.....	• Ring		
X	A04	1			1139- 1680- 01	• Kullager	• Ball bearing		
X	A05	1			1139- 1654- 01	Ventilplatta.....	Valve plate.....		
X	A06	1			1139- 1551- 01	Tätningring	Oil seal		
X	A07	1			1139- 1619- 01	Cylinder block kpl.....	Cylinder block assy		Inkl. pos 8- 14
X	A15	2			1139- 1576- 01	Låsring	Ring		
X	B01	1			1139- 1665- 01	Hus.....	Housing		
X	B02	1			1139- 1666- 01	Packning.....	Packing		

A



B

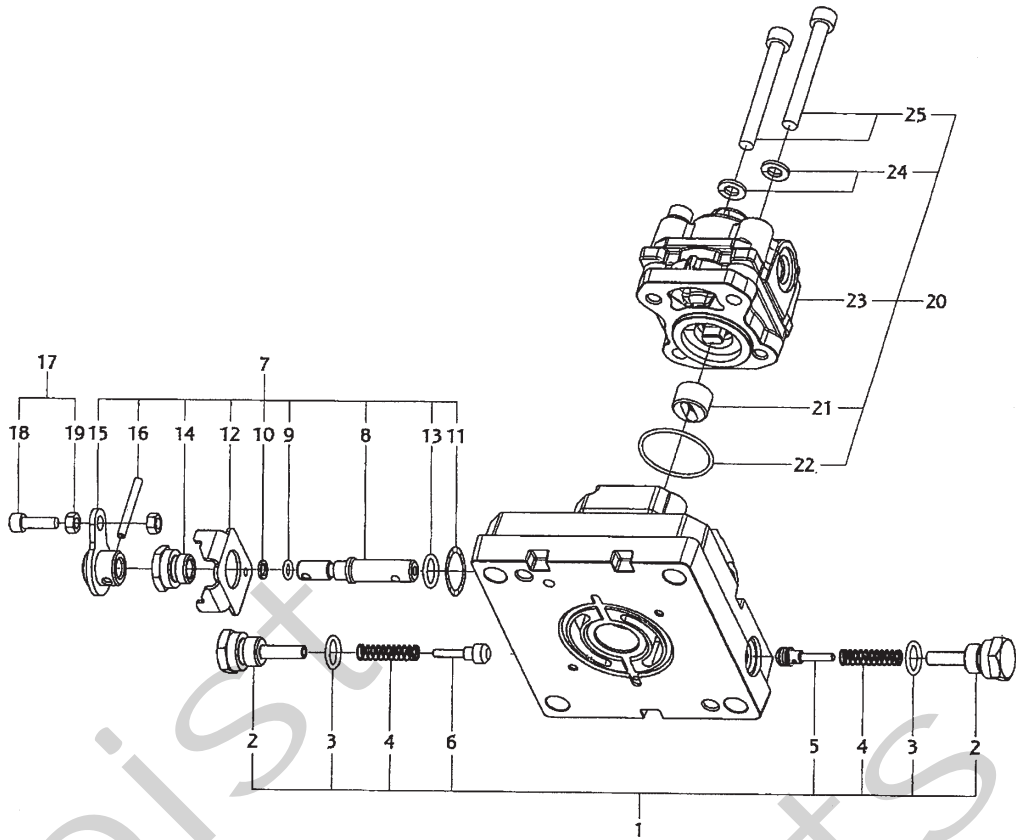


BL1028

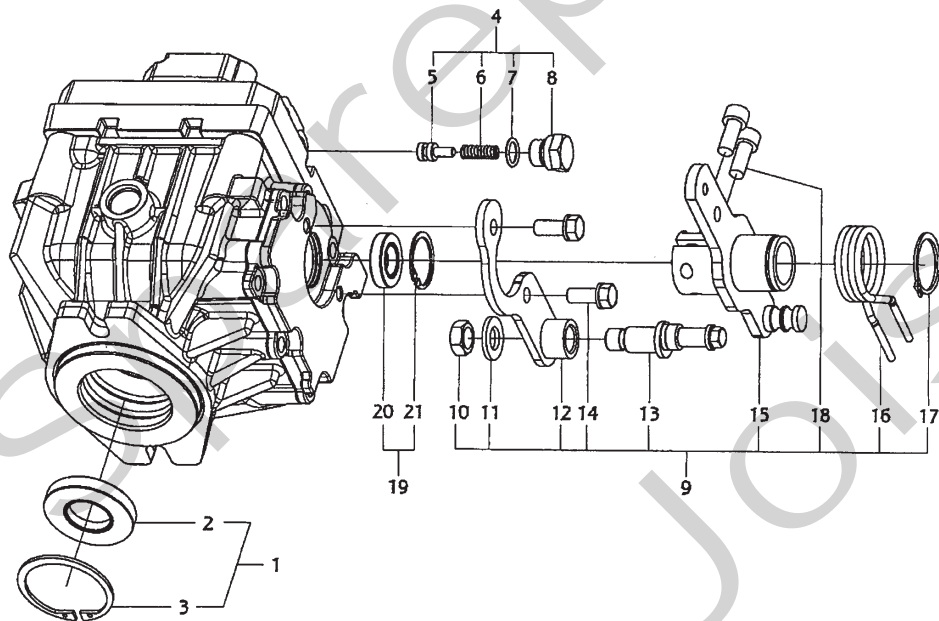


Utgåva Issue		Bildnr Picture No		KANZAKI HYDRAULPUMP KPL- 23ALP REGLAGE- NEUTRAL		KANZAKI HYDRAULIC PUMP KPL- 23ALP CONTROL- NEUTRAL		Sida Page	
2010- 71		BL1028						8	
Pos. Fig.	Antal/Quantity				Art nr Part No	Benämning	Description	Sats Kit	Anmärkning Notes
	KPL -23 ALP								
X	A01	1			1139- 1659- 01	Lagerplatta kpl	Swash plate assy		Inkl. pos 2, 6- 7
X	A02	1			1139- 1677- 01	• Lagersats	• Thrust bearing set		Inkl. pos 3- 5
	A08	1			1139- 1552- 01	• Tätningsring	• Oil seal		
X	A09	1			1139- 1660- 01	Styrning/lock A kpl	Guide A assy		Inkl. pos 8,11,17- 22
X	A12	3			1139- 1618- 01	Skruv	Bolt		
X	A13	1			1139- 1661- 01	Styrning B kpl	Guide B assy		Inkl. pos 14- 16
	A16	1			1139- 1681- 01	• Packning	• Packing		
X	A17	1			1139- 1594- 01	• Packning	• Packing		
	A18	1			1139- 1575- 01	• Låsring	• Ring		
	A19	2			1139- 1496- 01	Pinne	Parallell pin		
	A20	7			1139- 1586- 01	Skruv	Bolt		
	B01	1			1139- 1553- 01	Platta	Plate (return SP)		
	B02	1			1139- 1554- 01	Arm	Lever		
	B03	1			1139- 1555- 01	Vridcentrum	Fulcrum		
	B04	1			1139- 1556- 01	Fjäder	Spring (return)		
	B05	1			1139- 1102- 01	Bricka	Washer		
	B06	1			1139- 1574- 01	Låsring	Ring		
	B07	2			1139- 1122- 01	Bult m.bricka	Bolt w/washer		
	B08	2			1139- 1586- 01	Skruv	Bolt		
	B09	1			1139- 1127- 01	Mutter	Nut		

A



B

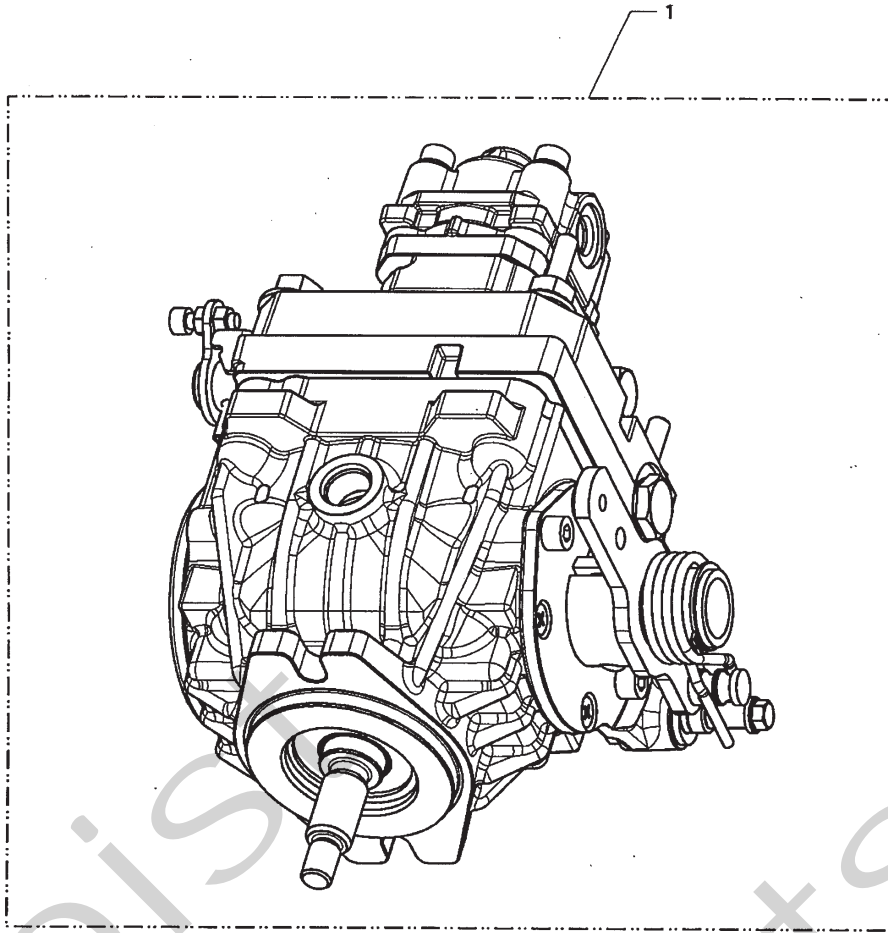


BL1029

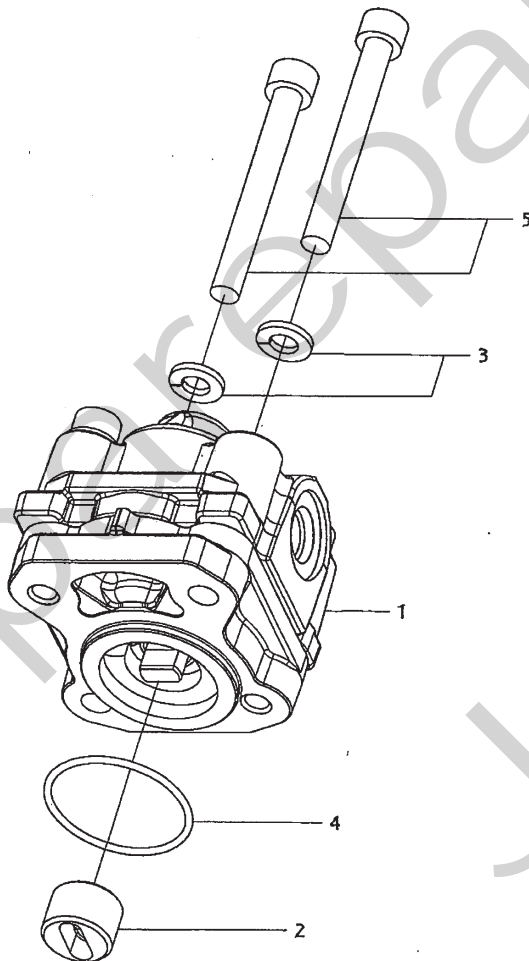


Utgåva Issue 2010-71		Bildnr Picture No BL1029		KANZAKI HYDRAULPUMP KPL- 23ALP SERVICEDELAR		KANZAKI HYDRAULIC PUMP KPL- 23ALP SERVICE PARTS		Sida Page 10	
Pos. Fig.	Antal/Quantity				Art nr Part No	Benämning	Description	Sats Kit	Anmärkning Notes
	KPL -23 ALP								
A01	1				1139-1557-01	Ventilsats kpl	Check valve kit		Inkl. pos 2-6
A02	2				1139-1548-01	• Plugg	• Check plug		
A03	2				1139-1115-01	• O-ring	• O-ring		
A04	2				1139-1547-01	• Fjäder	• Spring (suction)		
A05	1				1139-1550-01	• Ventil	• Check valve 1.2		
A06	1				1139-1368-01	• Ventil	• Check valve F		
A07	1				1139-1558-01	Bypass sats	Bypass kit		Inkl. pos 8-16
A08	1				1139-1549-01	• Axel	• Bypass pin		
A09	1				1139-1112-01	• O-ring	• O-ring		
A10	1				1139-1387-01	• Ring	• Back-up ring		
A11	1				1139-1522-01	• Vågbricka	• Wave washer		
A12	1				1139-1373-01	• Plåt	• By-pass plate		
A13	1				1139-1115-01	• O-ring	• O-ring		
A14	1				1139-1371-01	• Adapter	• By-pass adapter		
A15	1				1139-1372-01	• By-pass arm	• By-pass lever		
A16	1				1139-1395-01	• Stift	• Pin		
A17	1				1139-1562-01	Bypass option sats	Bypass option kit		Inkl. pos 18-19
A18	1				1139-1585-01	• Skruv	• Bolt		
A19	2				1139-0247-01	• Mutter	• Nut		
A20	1				1139-1563-01	Pump kpl	Gear pump kit		Inkl. pos 21-25
A21	1				1139-1539-01	• Koppling	• Coupling		
A22	1				1139-1581-01	• Packning	• Packing		
A23	1				1139-1540-01	• Pump	• Pump		
A24	2				1139-1573-01	• Bricka	• Washer		
A25	2				1139-1587-01	• Skruv	• Bolt		
B01	1				1139-1559-01	Tätningring kpl	Input seal kit		Inkl. pos 2-3
B02	1				1139-1551-01	• Tätningring	• Oil seal		
B03	1				1139-1576-01	• Låsring	• Ring		
B04	1				1139-1560-01	Ventilsats	Charge relief kit		Inkl. pos 5-8
B05	1				1139-1571-01	• Ventil	• Relief valve		
B06	1				1139-1570-01	• Fjäder	• Spring		
B07	1				1139-1168-01	• Packning	• Packing		
B08	1				1139-1546-01	• Plugg	• Plug		
B09	1				1139-1564-01	Neutralreglage kpl	Neutral kit		Inkl. pos 10-18
B10	1				1139-1127-01	• Mutter	• Nut		
B11	1				1139-1102-01	• Bricka	• Washer		
B12	1				1139-1553-01	• Platta	• Plate (return SP)		
B13	1				1139-1555-01	• Vridcentrum	• Fulcrum		
B14	2				1139-1122-01	• Bult m.bricka	• Bolt w/washer		
B15	1				1139-1554-01	• Arm	• Lever		
B16	1				1139-1556-01	• Fjäder	• Spring (return)		
B17	1				1139-1574-01	• Låsring	• Ring		
B18	2				1139-1586-01	• Skruv	• Bolt		
B19	1				1139-1561-01	Tätningring kpl	Control seal kit		Inkl. pos 20-21
B20	1				1139-1552-01	• Tätningring	• Oil seal		
B21	1				1139-1575-01	• Låsring	• Ring		

A



B

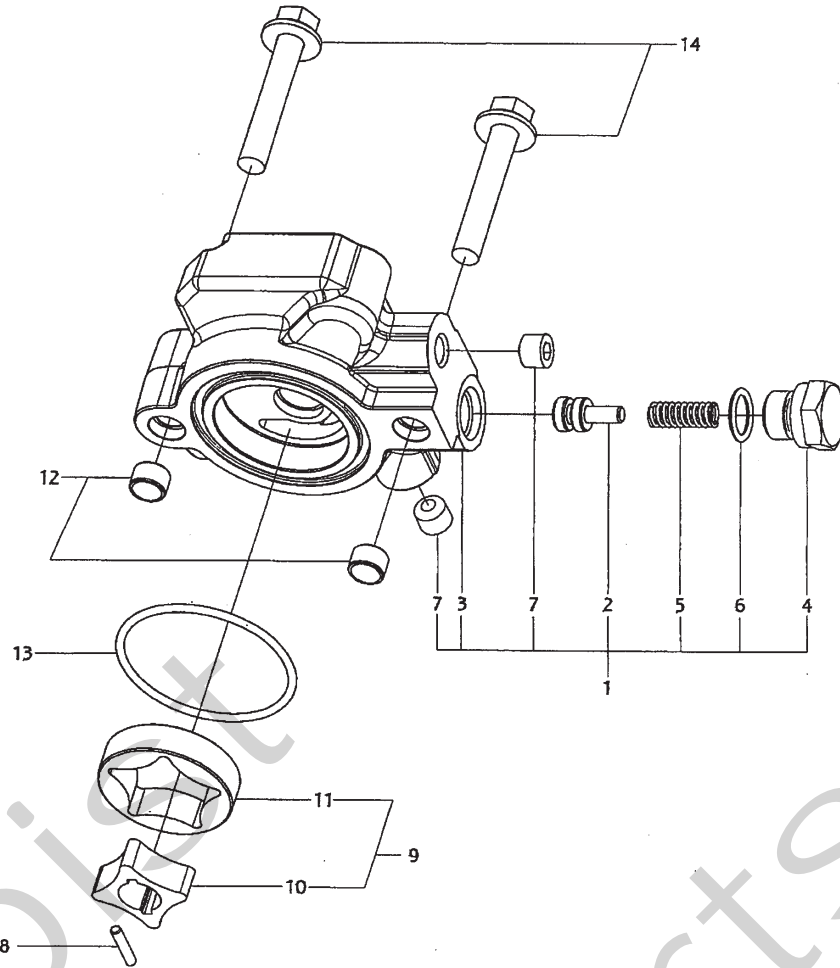


BL1020

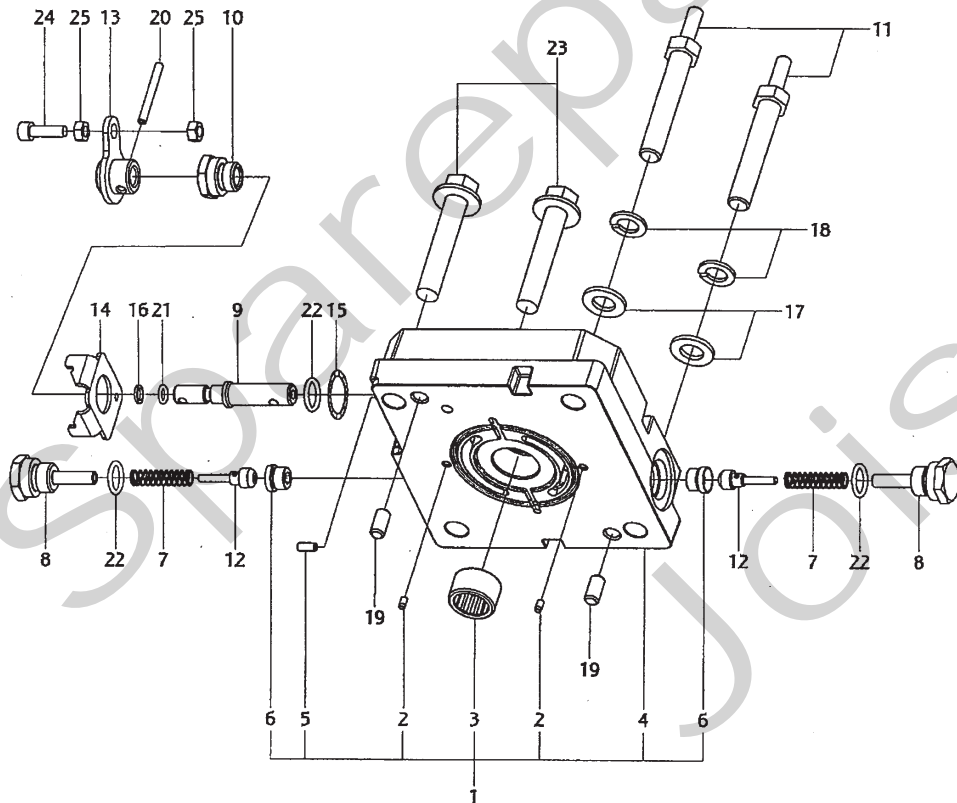


Utgåva Issue		Bildnr Picture No		KANZAKI HYDRAULPUMP KPS- 23ALP PUMP KPL- DREVPUMP		KANZAKI HYDRAULIC PUMP KPS- 23ALP PUMP UNIT- GEAR PUMP		Sida Page	
2010- 71		BL1020						12	
Pos. Fig.	Antal/Quantity				Art nr Part No	Benämning	Description	Sats Kit	Anmärkning Notes
	KPS -23 ALP								
A01	1				1134- 7013- 01	Hydraulpump.....	Hydraulic pump.....		KPS- 23ALP
B01	1				1139- 1540- 01	Pump.....	Pump.....		
B02	1				1139- 1539- 01	Koppling.....	Coupling.....		
B03	2				1139- 1573- 01	Bricka.....	Washer.....		
B04	1				1139- 1581- 01	Packning.....	Packing.....		
B05	2				1139- 1587- 01	Skruv.....	Bolt.....		

A



B

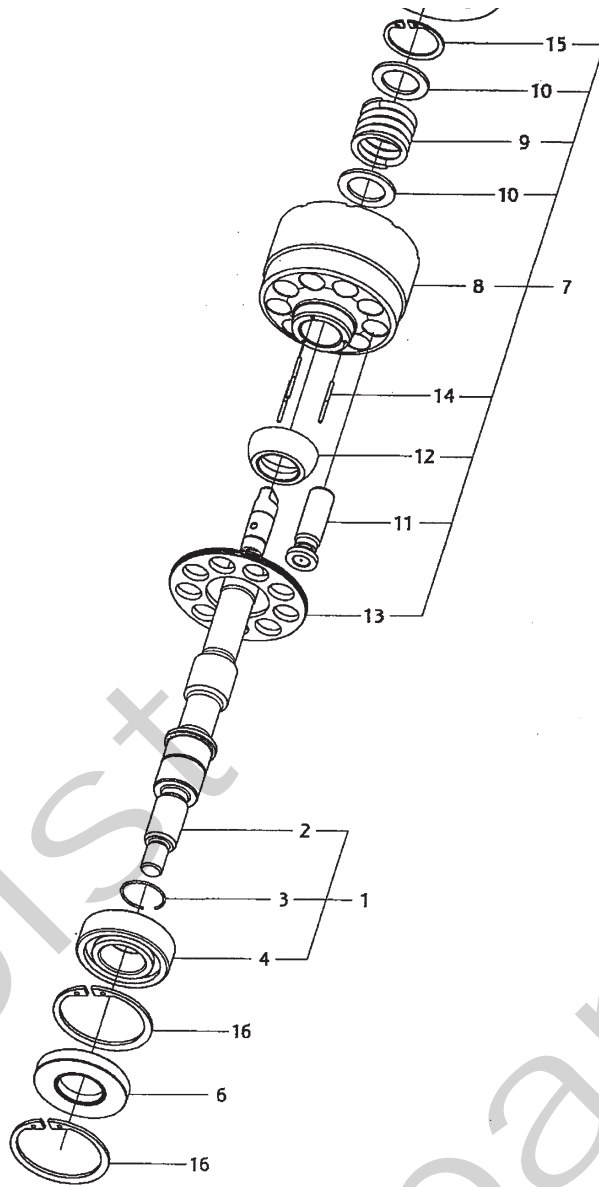


BL1021

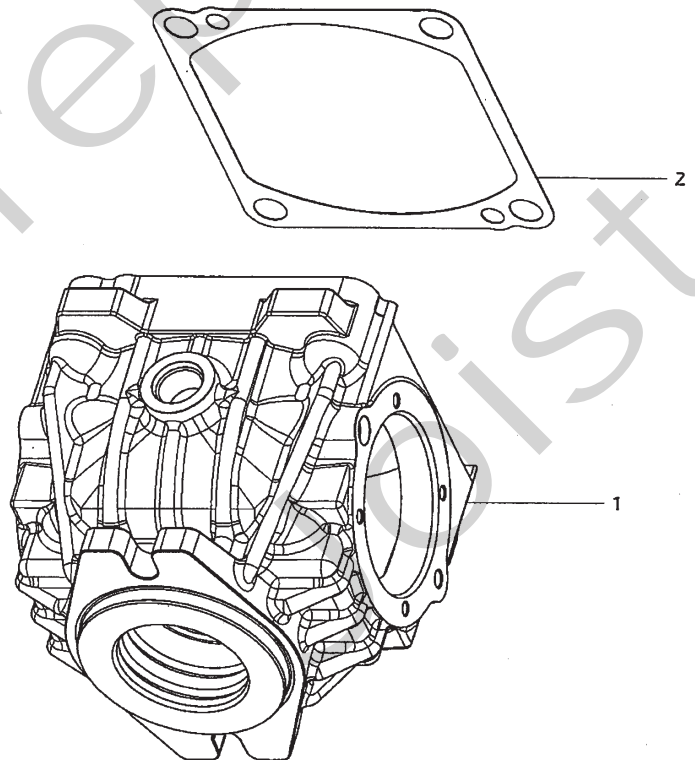


Utgåva Issue 2010-71		Bildnr Picture No BL1021		KANZAKI HYDRAULPUMP KPS- 23ALP MATARPUMP- CENTRUMHUS		KANZAKI HYDRAULIC PUMP KPS- 23ALP CHARGE PUMP- CENT CASE		Sida Page 14	
Pos. Fig.	Antal/Quantity				Art nr Part No	Benämning	Description	Sats Kit	Anmärkning Notes
	KPS -23 ALP								
X	A01	1			1139- 1662- 01	Pumphus A kpl	Pump body A assy		Inkl. pos 2- 7
	A02	1			1139- 1571- 01	• Ventil	• Relief valve		
X	A03	1			1139- 1663- 01	• Pumphus A	• Pump body A		
	A04	1			1139- 1546- 01	• Plugg	• Plug		
	A05	1			1139- 1570- 01	• Fjäder	• Spring		
	A06	1			1139- 1168- 01	• Packning	• Packing		
	A07	2			1139- 1107- 01	• Plugg	• Plug		
X	A08	1			1139- 1652- 01	Stift	Pin		
X	A09	1			1139- 1664- 01	Rotor kpl	Rotor set		Inkl. pos 10- 11
	A12	2			1139- 1166- 01	Tapp	Pin		
X	A13	1			1139- 1683- 01	Packning	Packing		
	A14	2			1139- 1536- 01	Skruv	Bolt w/washer		
X	B01	1			1139- 1667- 01	Centrumhus kpl	Center case assy		Inkl. pos 2- 6
	B02	2			1139- 1058- 01	• Stift	• Knock pin		
	B05	1			1139- 1394- 01	• Stift	• Pin		
	B07	2			1139- 1547- 01	Fjäder	Spring (suction)		
	B08	2			1139- 1548- 01	Plugg	Check plug		
	B09	1			1139- 1549- 01	Axel	Bypass pin		
	B10	1			1139- 1371- 01	Adapter	By- pass adapter		
X	B11	2			1139- 1655- 01	Bult	Bolt		
	B12	2			1139- 1545- 01	Ventil	Check valve R		
	B13	1			1139- 1372- 01	By- pass arm	By- pass lever		
	B14	1			1139- 1373- 01	Plåt	By- pass plate		
	B15	1			1139- 1522- 01	Vågbricka	Wave washer		
	B16	1			1139- 1387- 01	Ring	Back- up ring		
	B17	2			1139- 1102- 01	Bricka	Washer		
X	B18	2			1139- 1679- 01	Bricka	Washer		
	B19	2			1139- 1496- 01	Pinne	Parallell pin		
	B20	1			1139- 1395- 01	Stift	Pin		
	B21	1			1139- 1112- 01	O- ring	O- ring		
	B22	3			1139- 1115- 01	O- ring	O- ring		
X	B23	2			1139- 1687- 01	Bult	Bolt		
	B24	1			1139- 1585- 01	Skruv	Bolt		
	B25	2			1139- 0247- 01	Mutter	Nut		

A



B

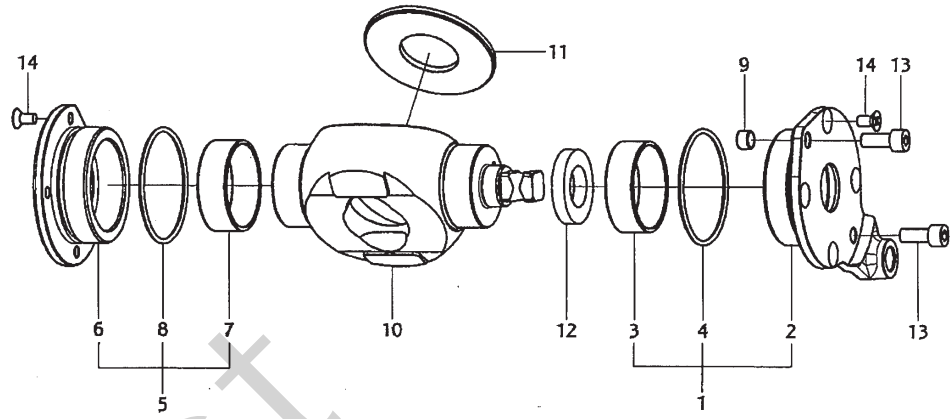


BL1022

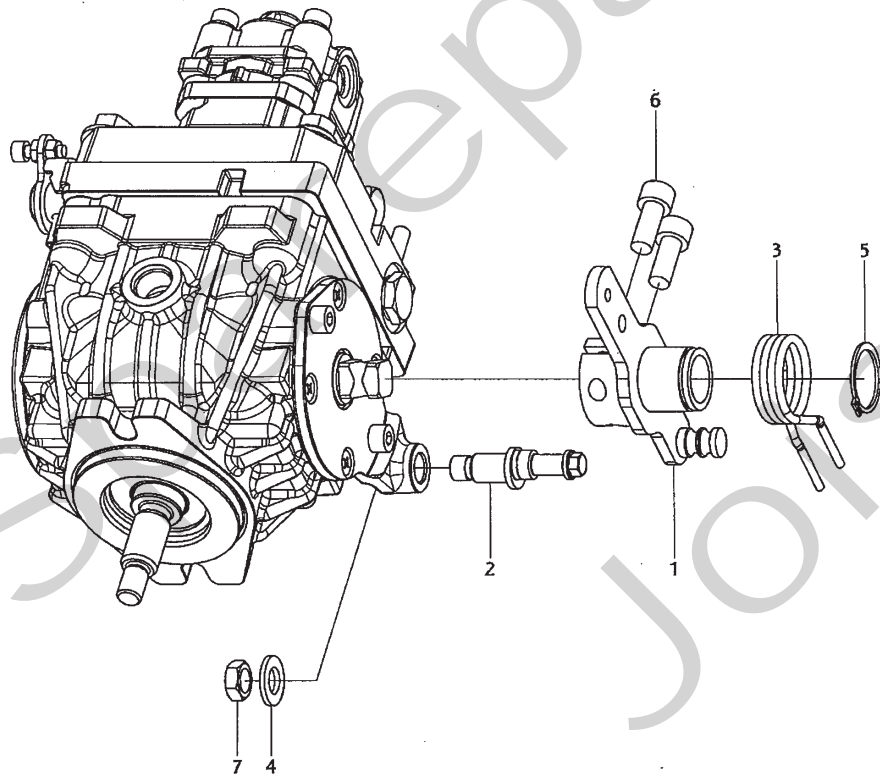


Utgåva Issue 2010-71		Bildnr Picture No BL1022		KANZAKI HYDRAULPUMP KPS- 23ALP PUMP- HUS		KANZAKI HYDRAULIC PUMP KPS- 23ALP PUMP ASSY- HOUSING		Sida Page 16	
Pos. Fig.	Antal/Quantity				Art nr Part No	Benämning	Description	Sats Kit	Anmärkning Notes
	KPS -23 ALP								
X	A01	1			1139- 1668- 01	Pumpaxel kpl.....	Pump shaft assy		Inkl. pos 2- 4
X	A02	1			1139- 1669- 01	• Pumpaxel.....	• Pump shaft.....		
X	A03	1			1139- 1653- 01	• Ring.....	• Ring		
X	A04	1			1139- 1680- 01	• Kullager	• Ball bearing		
X	A05	1			1139- 1670- 01	Ventilplatta.....	Valve plate.....		
X	A06	1			1139- 1551- 01	Tätningring	Oil seal		
X	A07	1			1139- 1620- 01	Cylinderblock kpl	Cylinder block assy		Inkl. pos 8- 15
X	A16	2			1139- 1576- 01	Låsring	Ring		
X	B01	1			1139- 1673- 01	Hus.....	Housing		
X	B02	1			1139- 1674- 01	Packning.....	Packing		

A



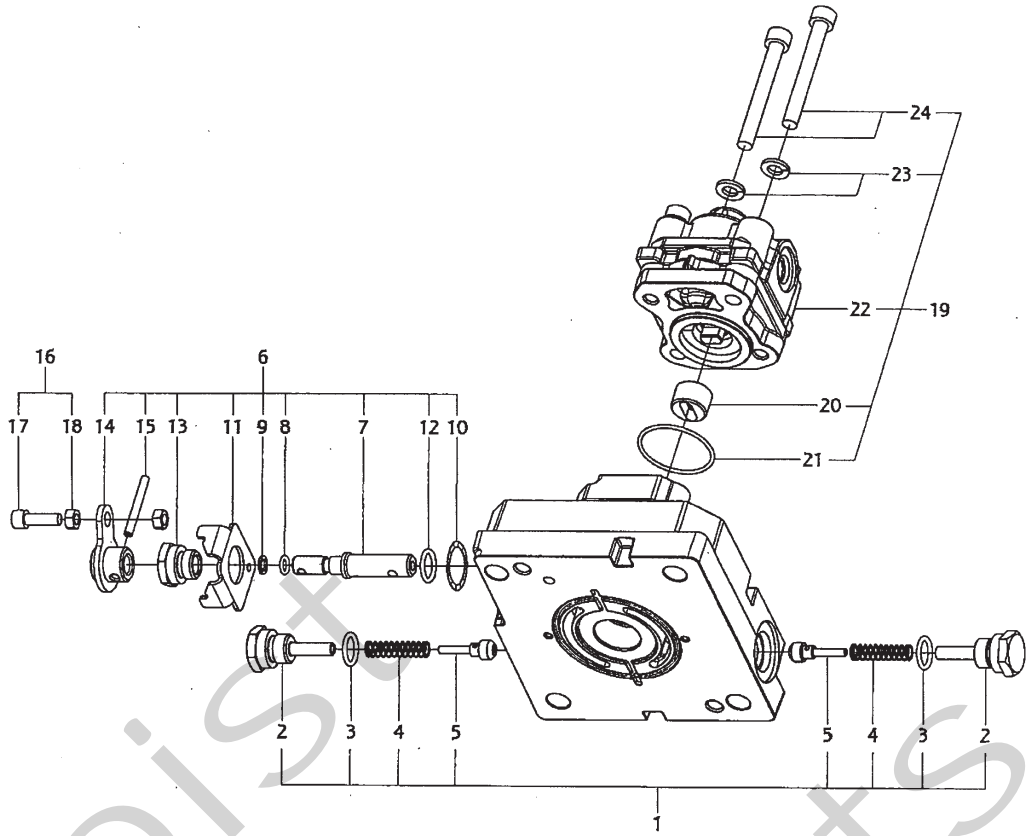
B



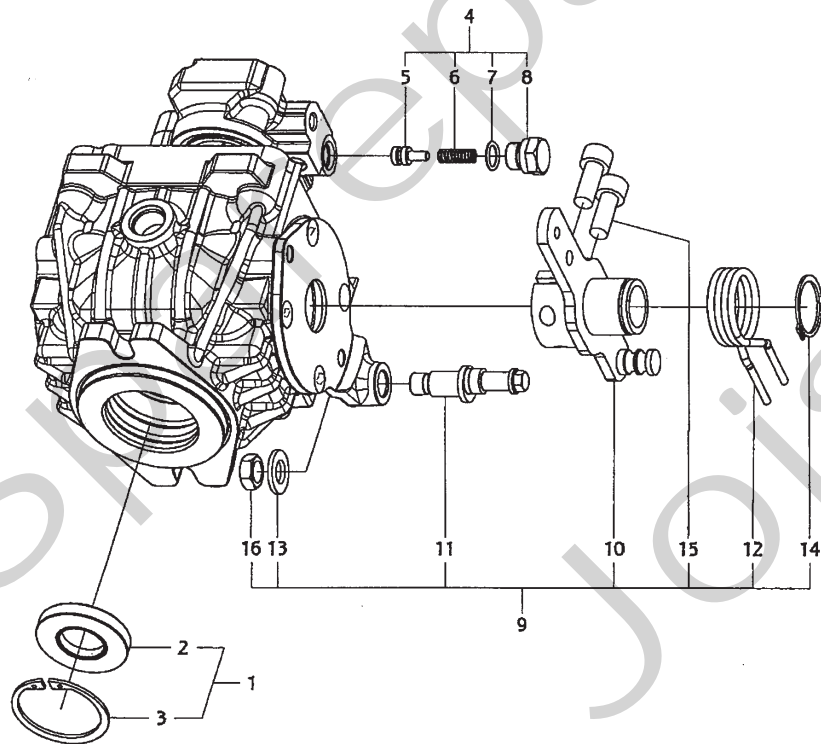


Utgåva Issue		Bildnr Picture No		KANZAKI HYDRAULPUMP KPS- 23ALP REGLAGE- NEUTRAL		KANZAKI HYDRAULIC PUMP KPS- 23ALP CONTROL- NEUTRAL		Sida Page	
2010- 71		BL1023						18	
Pos. Fig.	Antal/Quantity				Art nr Part No	Benämning	Description	Sats Kit	Anmärkning Notes
	KPS -23 ALP								
X	A01	1			1139- 1671- 01	Lock A kpl.....	Side cover A assy.....		Inkl. pos 2- 4
X	A04	1			1139- 1682- 01	• Packning.....	• Packing		
X	A05	1			1139- 1672- 01	Lock B kpl.....	Side cover B assy.....		Inkl. pos 6- 8
X	A08	1			1139- 1682- 01	• Packning.....	• Packing		
X	A09	1			1139- 1166- 01	Tapp.....	Pin		
X	A10	1			1139- 1612- 01	Platta	Plate		
X	A11	1			1139- 1611- 01	Tryckbricka	Thrust plate		
X	A12	1			1139- 1613- 01	Tätningring	Seal		
X	A13	2			1139- 1586- 01	Skruv.....	Bolt		
X	A14	8			1139- 1692- 01	Skruv.....	Bolt		
X	B01	1			1139- 1565- 01	Arm	Lever		
X	B02	1			1139- 1555- 01	Vridcentrum.....	Fulcrum.....		
X	B03	1			1135- 3751- 01	Returfjäder	Return spring		
X	B04	1			1139- 1102- 01	Bricka	Washer.....		
X	B05	1			1139- 1574- 01	Låsring	Ring		
X	B06	2			1139- 1588- 01	Skruv.....	Bolt		
X	B07	1			1139- 1127- 01	Mutter.....	Nut		

A



B



BL1024



Utgåva Issue 2010-71		Bildnr Picture No BL1024		KANZAKI HYDRAULPUMP KPS- 23ALP SERVICEDELAR		KANZAKI HYDRAULIC PUMP KPS- 23ALP SERVICE PARTS		Sida Page 20	
Pos. Fig.	Antal/Quantity				Art nr Part No	Benämning	Description	Sats Kit	Anmärkning Notes
	KPS -23 ALP								
A01	1				1139-1567-01	Ventilsats kpl	Check valve kit		Inkl. pos 2-5
A02	2				1139-1548-01	• Plugg	• Check plug		
A03	2				1139-1115-01	• O-ring	• O-ring		
A04	2				1139-1547-01	• Fjäder	• Spring (suction)		
A05	2				1139-1545-01	• Ventil	• Check valve R		
A06	1				1139-1558-01	Bypass sats	Bypass kit		Inkl. pos 7-15
A07	1				1139-1549-01	• Axel	• Bypass pin		
A08	1				1139-1112-01	• O-ring	• O-ring		
A09	1				1139-1387-01	• Ring	• Back-up ring		
A10	1				1139-1522-01	• Vågbricka	• Wave washer		
A11	1				1139-1373-01	• Plåt	• By-pass plate		
A12	1				1139-1115-01	• O-ring	• O-ring		
A13	1				1139-1371-01	• Adapter	• By-pass adapter		
A14	1				1139-1372-01	• By-pass arm	• By-pass lever		
A15	1				1139-1395-01	• Stift	• Pin		
A16	1				1139-1562-01	Bypass option sats	Bypass option kit		Inkl. pos 17-18
A17	1				1139-1585-01	• Skruv	• Bolt		
A18	2				1139-0247-01	• Mutter	• Nut		
A19	1				1139-1563-01	Pump kpl	Gear pump kit		Inkl. pos 20-24
A20	1				1139-1539-01	• Koppling	• Coupling		
A21	1				1139-1581-01	• Packning	• Packing		
A22	1				1139-1540-01	• Pump	• Pump		
A23	2				1139-1573-01	• Bricka	• Washer		
A24	2				1139-1587-01	• Skruv	• Bolt		
B01	1				1139-1559-01	Tätningring kpl	Input seal kit		Inkl. pos 2-3
B02	1				1139-1551-01	• Tätningring	• Oil seal		
B03	1				1139-1576-01	• Låsring	• Ring		
B04	1				1139-1560-01	Ventilsats	Charge relief kit		Inkl. pos 5-8
B05	1				1139-1571-01	• Ventil	• Relief valve		
B06	1				1139-1570-01	• Fjäder	• Spring		
B07	1				1139-1168-01	• Packning	• Packing		
B08	1				1139-1546-01	• Plugg	• Plug		
B09	1				1139-1568-01	Neutralreglage kpl	Neutral kit		Inkl. pos 10-16
B10	1				1139-1565-01	• Arm	• Lever		
B11	1				1139-1555-01	• Vridcentrum	• Fulcrum		
X B12	1				1135-3751-01	• Returfjäder	• Return spring		
B13	1				1139-1102-01	• Bricka	• Washer		
B14	1				1139-1574-01	• Låsring	• Ring		
X B15	2				1139-1689-01	• Bult	• Bolt		
B16	1				1139-1127-01	• Mutter	• Nut		