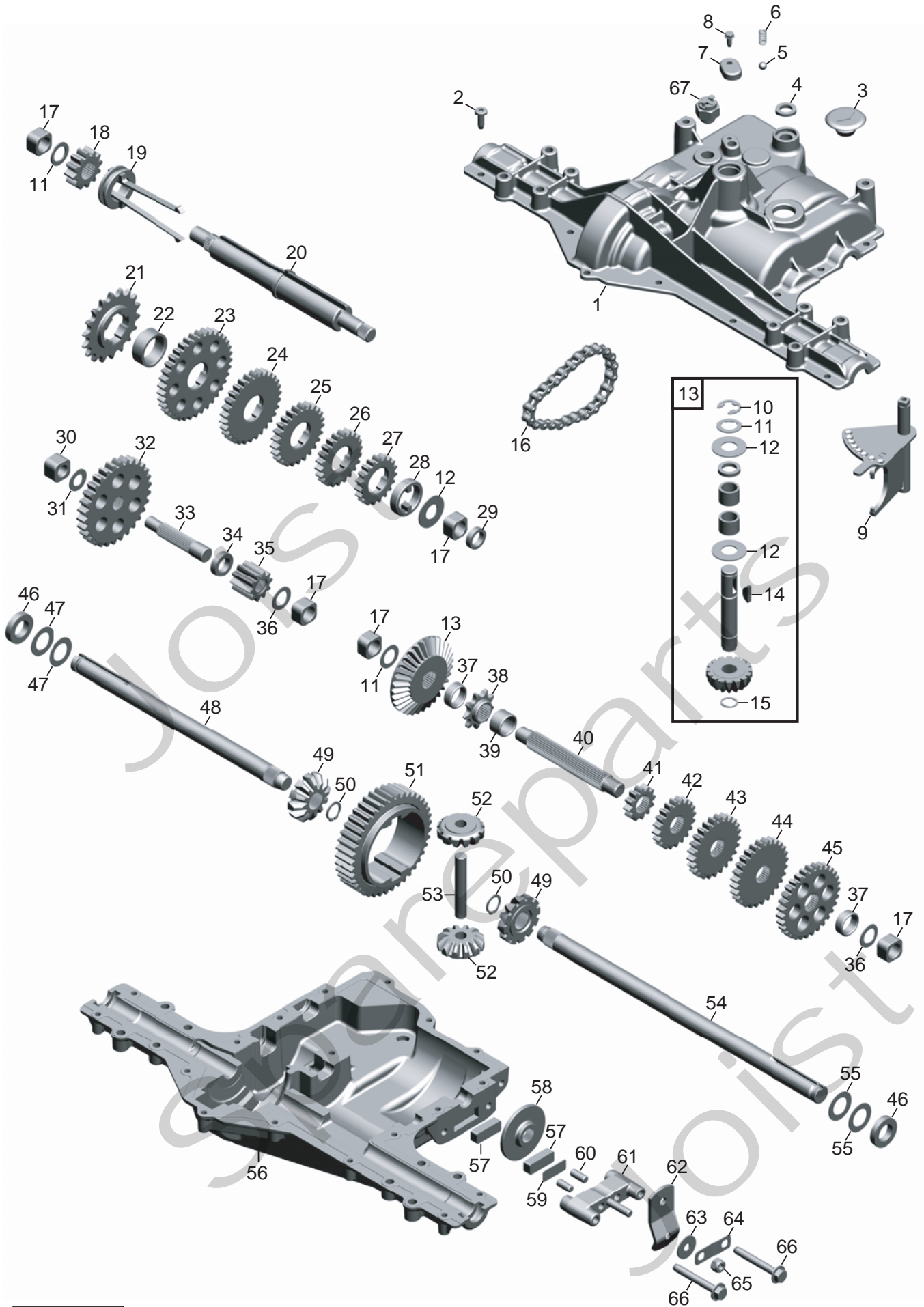


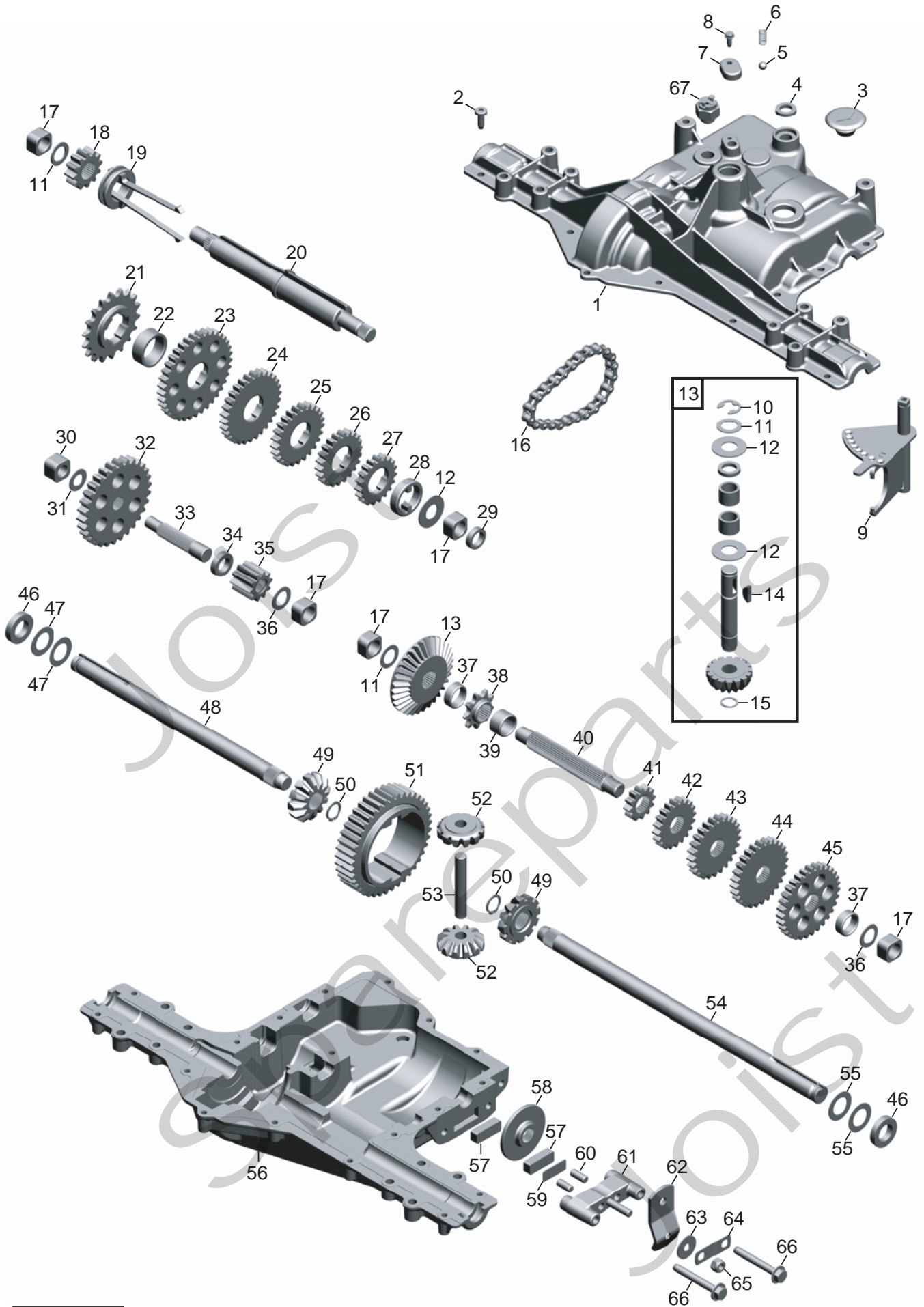
Genuine Spare Parts



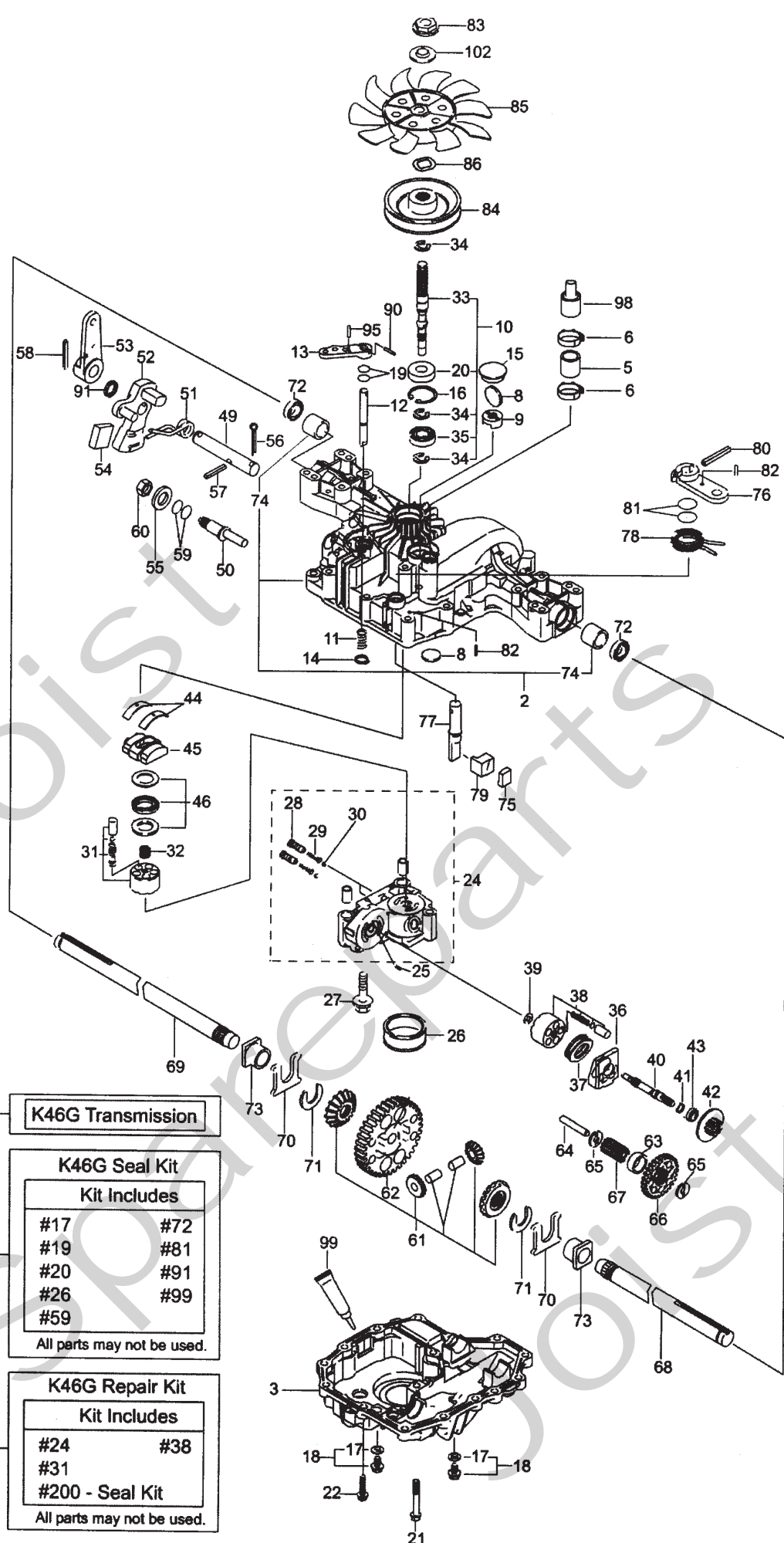
Joist
Spareparts
Joist



Utgåva Issue		Bildnr Picture No		DANA TRANSAXEL		DANA TRANSAXLE		Sida Page	
2008- 11		2215		6800- 7 6800- 8		6800- 7 6800- 8		416	
Pos. Fig.	Antal/Quantity			Art nr Part No	Benämning	Description	Sats Kit	Anmärkning Notes	
	6800 -7	6800 -8							
0	1			1134-6338-01	Transaxel kpl.....	Transaxle assy.....		DANA 6800-7	
0		1		1134-6349-01	Transaxel kpl.....	Transaxle assy.....		DANA 6800-8	
1	1			F000-6768-00	Hus- övre kpl.....	Housing- upper assy.....		Inkl. pos 4, 7-8	
1		1		F000-6769-00	Hus- övre kpl.....	Housing- upper assy.....		Inkl. pos 4, 7-8	
2	18	18		F000-1919-00	Skruv.....	Screw.....			
3	1	1		F004-1356-00	Gummiplugg.....	Rubber plug.....			
4	1	1		F000-7089-00	• Tättningsring.....	• Oil seal.....			
5	1	1		F000-5947-00	Kula.....	Ball.....			
6	1	1		F000-5948-00	Fjäder.....	Spring.....			
7	1	1		F000-7101-00	• Lock.....	• Detent cover.....			
8	1	1		F084-0052-00	• Skruv.....	• Screw.....			
9	1	1		F000-6670-00	Växelförare.....	Shifter.....			
10	1	1		F000-1106-00	• Låsring.....	• Retaining ring.....			
11	3	3		F000-4689-00	• Sats- shims.....	• Kit- shim.....			
12	3	3		F000-3876-00	• Bricka.....	• Washer.....			
13	1	1		F000-6753-00	Ingående axel kpl.....	Input shaft assy.....		Pos 10- 12, 14- 15	
14	1	1		F000-1746-00	• Kil.....	• Key.....			
15	1	1		F000-3956-00	• Låsring.....	• Retaining ring.....			
16	1	1		F000-3625-00	Kedja.....	Chain.....			
17	5	5		F000-7091-00	Bussning.....	Bushing.....			
18	1	1		F000-7080-00	Drev.....	Spur gear.....	12T		
19	1	1		F000-6692-00	Växelkrage.....	Shift collar.....			
20	1	1		F000-7086-00	Axel.....	Intermediate shaft.....			
21	1	1		F000-3830-00	Kedjehjul.....	Sprocket.....	18T		
22	1	1		F000-7094-00	Distans.....	Spacer.....			
23	1	1		F000-5365-00	Drev.....	Gear, spur.....	37T		
24	1	1		F000-3867-00	Drev.....	Gear, spur.....	30T		
25	1	1		F000-3783-00	Drev.....	Gear, spur.....	25T		
26	1	1		F000-3869-00	Drev.....	Gear, spur.....	22T		
27	1	1		F000-5202-00	Drev.....	Gear, spur.....	19T		
28	1	1		F000-5027-00	Distans.....	Spacer.....			
29	1	1		F000-7115-00	Tättningsring.....	Oil seal.....			
30	1	1		F000-7092-00	Bussning.....	Bushing.....			
31	1	1		F000-3890-00	Bricka.....	Plain washer.....			
32	1	1		F000-7079-00	Drev.....	Spur gear.....	30T		
33	1	1		F000-7083-00	Axel.....	Idler shaft.....			
34	1	1		F000-3410-00	Distans.....	Spacer.....			
35	1	1		F000-5180-00	Drev.....	Spur gear.....	10T		
36	2	2		F000-1425-00	Bricka.....	Washer.....			
37	2	2		F000-3714-00	Distans.....	Spacer.....			
38	1	1		F000-3645-00	Kedjehjul.....	Sprocket.....	9T		
39	1	1		F000-7162-00	Distans.....	Spacer.....			
40	1	1		F000-7084-00	Axel.....	Drive shaft.....			
41	1	1		F000-5364-00	Drev.....	Gear, spur.....	12T		
42	1	1		F000-3866-00	Drev.....	Gear, spur.....	20T		
43	1	1		F000-3719-00	Drev.....	Gear, spur.....	25T		
44	1	1		F000-3868-00	Drev.....	Gear, spur.....	28T		
45	1	1		F000-3683-00	Drev.....	Gear, spur.....	31T		
46	2	2		F000-7088-00	Tättningsring.....	Oil seal.....			
47	2	2		F000-3184-00	Bricka.....	Washer.....			
48	1			F000-7165-10	Hjulaxel- vä.....	Wheel axle- LH.....			
48		1		F000-7166-10	Hjulaxel- vä.....	Wheel axle- LH.....			
49	2	2		F000-5622-00	Drev.....	Miter gear.....	12T		
50	2	2		F000-5270-00	Låsring.....	Retaining ring.....			
51	1	1		F000-5181-00	Drev.....	Spur gear.....	41T		
52	2	2		F000-5623-00	Drev.....	Miter gear.....	12T		
53	1	1		F000-3919-00	Axel.....	Cross shaft.....			
54	1			F000-7165-20	Hjulaxel- hö.....	Wheel axle- RH.....			
54		1		F000-7166-20	Hjulaxel- hö.....	Wheel axle- RH.....			
55	1	1		F000-4691-00	Sats- shims.....	Kit- shim.....			
56	1	1		F000-7071-A0	Hus- nedre.....	Housing- lower.....			
57	1	1		F000-6754-00	Friktionsbelägg- sats.....	Friction puck kit.....			
58	1	1		F000-7103-00	Bromsskiva.....	Brake disc.....			



Utgåva Issue		Bildnr Picture No		DANA TRANSAXEL		DANA TRANSAXLE		Sida Page	
2008- 11		2215		6800- 7 6800- 8		6800- 7 6800- 8		418	
Pos. Fig.	Antal/Quantity			Art nr Part No	Benämning	Description	Sats Kit	Anmärkning Notes	
	6800 -7	6800 -8							
59	1	1		F000- 3758- 00	Distans	Spacer			
60	2	2		F000- 3843- 00	Pinne	Dowel pin			
61	1	1		F000- 5554- 00	Bromshållare	Brake jaw			
62		1		F000- 7029- 00	Bromsarm	Actuating lever			
62	1			F000- 7032- 00	Bromsarm	Actuating lever			
63	1	1		F000- 3760- 00	Bricka	Washer			
64	1	1		F000- 5555- 00	Bricka	Bracket			
65	1	1		F000- 3847- 00	Låsmutter	Lock nut			
66	2	2		F000- 5562- 00	Skruv	Screw			
67		1		F000- 7034- 00	Brytare	Switch			



1- **K46G Transmission**

200- **K46G Seal Kit**

Kit Includes	
#17	#72
#19	#81
#20	#91
#26	#99
#59	

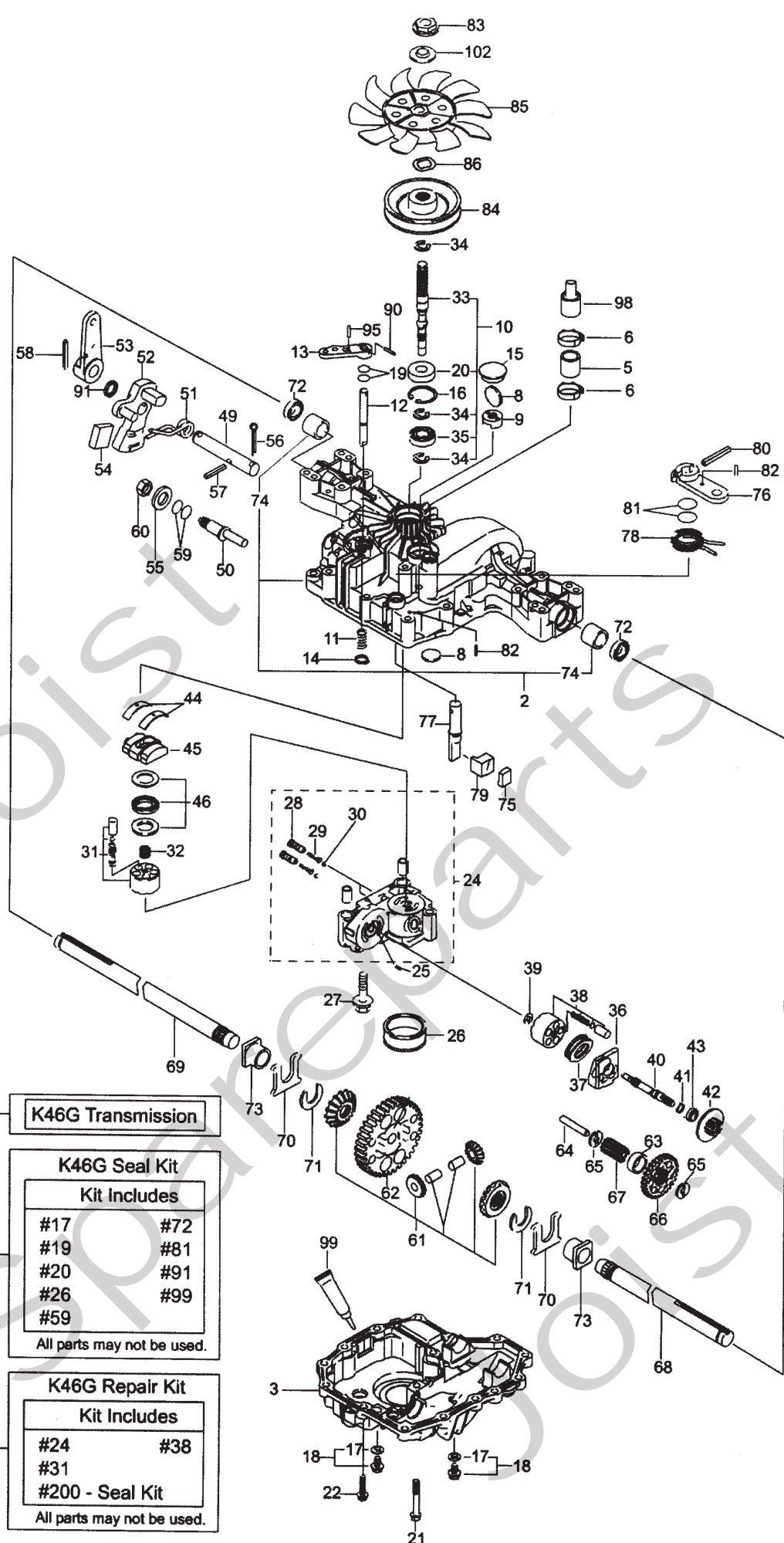
All parts may not be used.

201- **K46G Repair Kit**

Kit Includes	
#24	#38
#31	
#200 - Seal Kit	

All parts may not be used.

Utgåva Issue		Bildnr Picture No		KANZAKI TRANSAXEL K46G (s/n 0042627- 9999999)		KANZAKI TRANSAXLE K46G (s/n 0042627- 9999999)		Sida Page	
2008- 11		1390E						420	
Pos. Fig.	Antal/Quantity				Art nr Part No	Benämning	Description	Sats Kit	Anmärkning Notes
	K46G								
X	1	1			1134- 4848- 01	Transaxel kpl.....	Transaxle assy.....		Kanzaki K46G
	2	1			1139- 1470- 01	Hus- övre	Housing- upper		
	3	1			1139- 1402- 01	Hus- nedre	Case- lower		
	5	1			1139- 1301- 01	Rör	Tube		
	6	2			1139- 1336- 01	Slangklämma.....	Hose clamp		
	8	2			1139- 1150- 01	Magnet	Magnet.....		
	9	1			1139- 1341- 01	Hållare- magnet	Holder- magnet		
	10	1			1139- 1511- 01	Pumpaxel kpl.....	Pump shaft kit.....		
	11	1			1139- 1347- 01	Fjäder.....	Spring		
	12	1			1139- 1251- 01	Axel- bypass	Shaft- bypass		
	13	1			1139- 1189- 01	Arm- bypass	Lever- bypass.....		
	14	1			1139- 1161- 01	Låsring	Ring		
	15	1			1139- 1275- 01	Plugg.....	Bore plug		
	16	1			1139- 1104- 01	• Låsring	• Snap ring		
	17	2			1139- 1103- 01	• Tätningbricka	• Seal washer.....	S	
X	18	2			1139- 1500- 01	Dräneringsskruv	Drain bolt kit		
	21	2			1139- 1295- 01	Skruv	Tapping screw.....		
	22	14			1139- 0244- 01	Skruv	Tapping screw.....		
X	24	1			1139- 1502- 01	Centrumhus	Center case assy		
	25	1			1139- 1158- 01	Stift	Pin		
	26	1			1139- 1405- 01	Filter	Filter	S	
	27	3			1139- 1294- 01	Bult	Bolt		
	28	2			1139- 1339- 01	Ventil	Valve		
	29	2			1139- 1338- 01	Fjäder.....	Spring		
	30	2			1139- 1346- 01	Kula	Ball		
	31	1			1139- 1356- 01	Cylinderblock kpl	Cylinder block assy		
	32	1			1139- 1245- 01	Fjäder.....	Spring		
	33	1			1139- 1246- 01	• Pumpaxel.....	• Pump shaft.....		
	34	3			1139- 1146- 01	• Låsring	• Ring		
	35	1			1139- 1110- 01	• Kullager	• Ball bearing		
X	36	1			1139- 1157- 01	Hus	Housing		
	37	1			1139- 1501- 01	Lager	Bearing.....		
	38	1			1139- 1139- 01	Cylinderblock kpl	Cylinder block assy		
	39	1			1139- 1160- 01	Bricka	Washer.....		
	40	1			1139- 1353- 01	Motoraxel	Motor shaft		
	41	1			1139- 1021- 01	Låsring	Snap ring		
	42	1			1139- 1272- 01	Motordrev.....	Motor gear		
	43	1			1139- 1453- 01	Lager	Bearing.....		
	44	2			1139- 1066- 01	Tryckplatta	Metal thrust.....		
	45	1			1139- 1475- 01	Stänkplatta kpl	Swash plate assy		
	46	1			1139- 1362- 01	Lager	Bearing.....		
	49	1			1139- 1354- 01	Regleraxel.....	Control shaft		
	50	1			1139- 1316- 01	Vridcentrum.....	Fulcrum.....		
	51	1			1139- 1312- 01	Fjäder.....	Spring		
	52	1			1139- 1409- 01	Reglerarm.....	Control arm.....		
	53	1			1139- 1325- 01	Reglerarm.....	Control lever		
	54	1			1139- 1408- 01	Ryckplatta.....	Jerky plate.....		
	55	1			1139- 1102- 01	Bricka	Washer.....		
	56	1			1139- 1355- 01	Saxpinne.....	Cotter pin		
	57	1			1139- 1329- 01	Stift.....	Pin		
	58	1			1139- 1285- 01	Stift.....	Pin		
	60	1			1139- 1127- 01	Mutter.....	Nut		
	61	1			1139- 1404- 01	Differentialdrev kpl	Differential gear kit.....		
	62	1			1139- 1258- 01	Slutdrev	Final gear		
	63	1			1139- 1255- 01	Hylsa	Collar		
	64	1			1139- 1256- 01	Reduktionsaxel	Reduction shaft.....		
	65	2			1139- 1398- 01	Bricka	Washer.....		
	66	1			1139- 1267- 01	Reduktionsdrev	Reduction gear.....		
	67	1			1139- 1361- 01	Slutdrev	Final pinion		
	68	1			1139- 1344- 01	Hjulaxel- vä	Axle shaft- left		
	69	1			1139- 1345- 01	Hjulaxel- hö	Axle shaft- right.....		
	70	2			1139- 1078- 01	Tryckbricka	Thrust washer		
	71	2			1139- 1163- 01	Låsring	Ring		



1- **K46G Transmission**

200- **K46G Seal Kit**

Kit Includes	
#17	#72
#19	#81
#20	#91
#26	#99
#59	

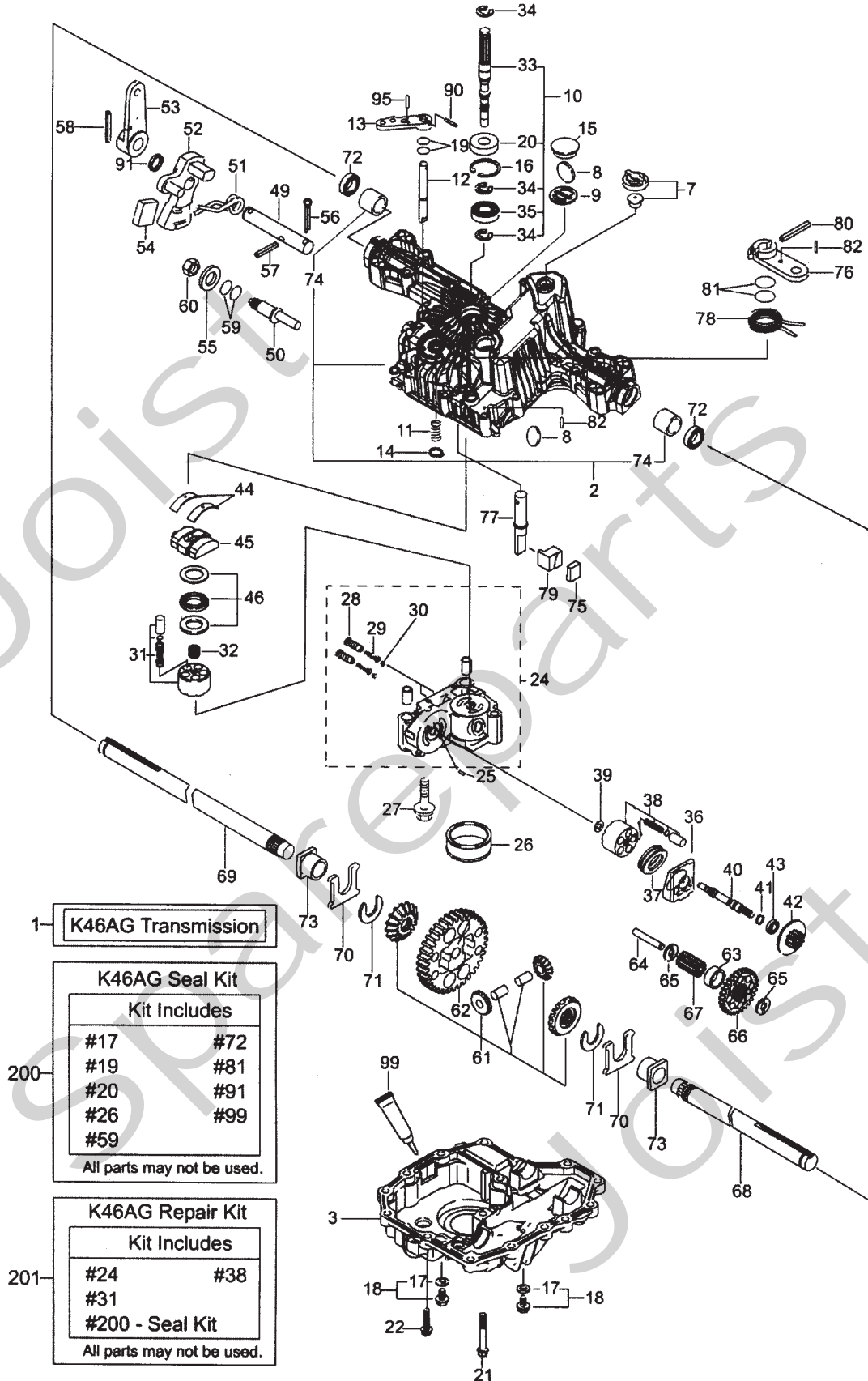
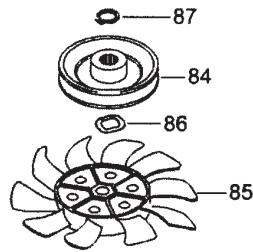
All parts may not be used.

201- **K46G Repair Kit**

Kit Includes	
#24	#38
#31	
#200 - Seal Kit	

All parts may not be used.

Utgåva Issue		Bildnr Picture No		KANZAKI TRANSAXEL K46G (s/n 0042627- 9999999)		KANZAKI TRANSAXLE K46G (s/n 0042627- 9999999)		Sida Page 422	
Pos. Fig.	Antal/Quantity				Art nr Part No	Benämning	Description	Sats Kit	Anmärkning Notes
	K46G								
72	2				1139-1080-01	Tätning	Seal	S	
73	2				1139-1164-01	Bussning	Bushing.....		
74	2				1139-1414-01	• Bussning.....	• Bushing.....		
75	1				1139-1260-01	Bromssko.....	Brake shoe.....		
76	1				1139-1261-01	Bromsarm	Brake arm		
77	1				1139-1320-01	Bromsaxel	Brake shaft.....		
78	1				1139-1411-01	Returfjäder	Return spring.....		
79	1				1139-1264-01	Bromstryckare.....	Brake actuator.....		
80	1				1139-1282-01	Stift.....	Pin		
82	2				1139-1281-01	Stift.....	Pin		
83	1				1139-1248-01	Krage.....	Spline collar		
84	1				1139-1469-01	Remskiva.....	Pulley		
85	1				1134-4190-01	Fläkt.....	Fan		
86	1				1139-1266-01	Låsbricka.....	Lock washer.....		
87	1				1139-1149-01	Låsring	Snap ring		
90	1				1139-1280-01	Stift.....	Pin		
95	1				1139-1279-01	Stift.....	Pin		
98	1				1139-1306-01	Adapter.....	Adapter		
99	1				1139-1443-01	Tätningssats	Sealant	S	
102	1				1139-1276-01	Bricka	Collar		
200	1				1139-1403-01	Packningssats	Seal kit.....		Märkta S/Marked S
201	1				1139-1486-01	Rep.sats	Repair kit.....		



1- K46AG Transmission

K46AG Seal Kit
Kit Includes

- | | |
|-----|-----|
| #17 | #72 |
| #19 | #81 |
| #20 | #91 |
| #26 | #99 |
| #59 | |

All parts may not be used.

200-

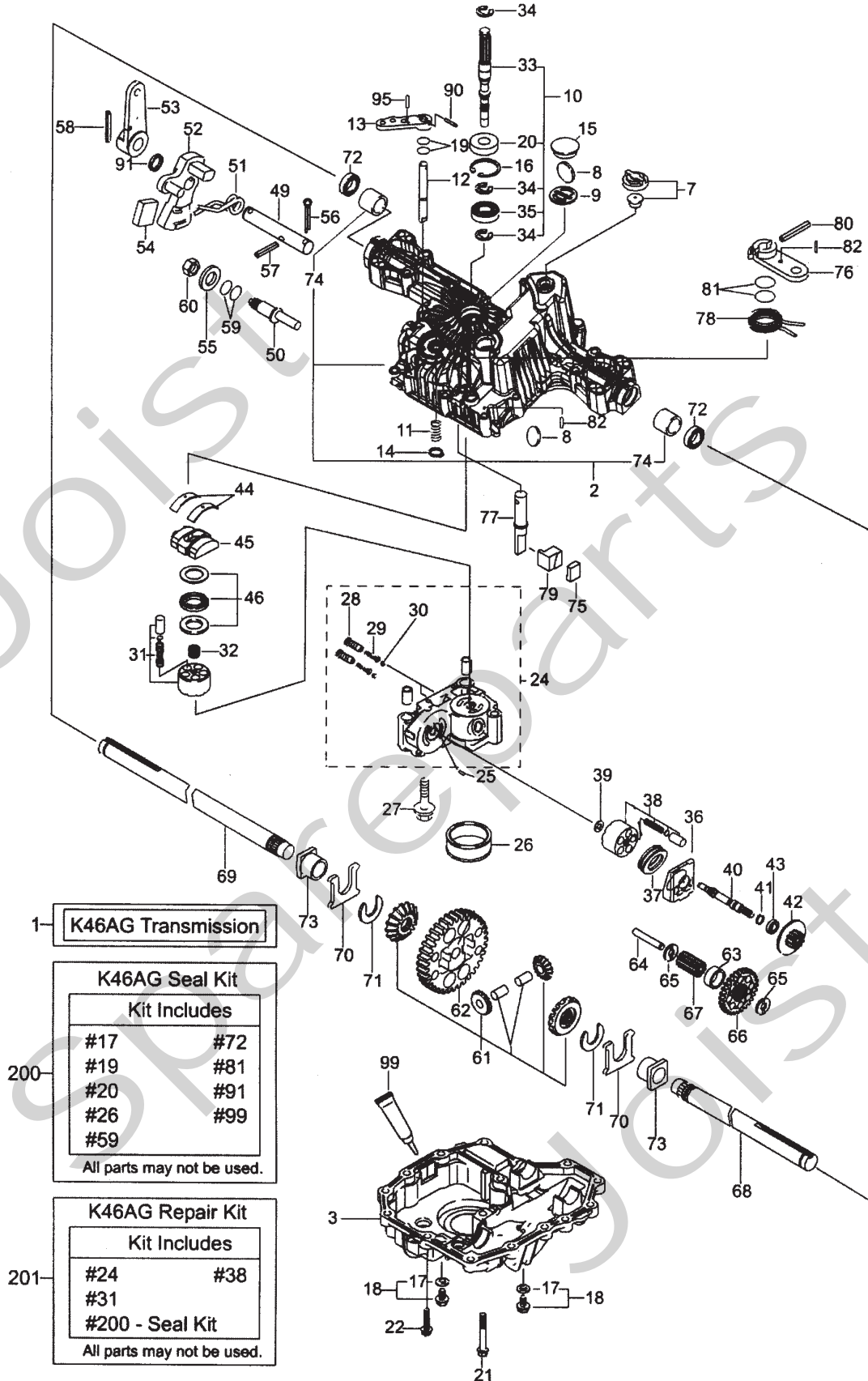
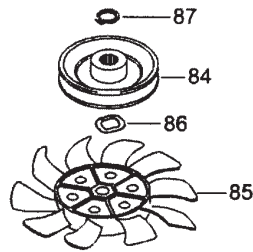
K46AG Repair Kit
Kit Includes

- | | |
|-----------------|-----|
| #24 | #38 |
| #31 | |
| #200 - Seal Kit | |

All parts may not be used.

201-

Utgåva Issue		Bildnr Picture No		KANZAKI TRANSAXEL K46AG (s/n 0030153- 9999999)		KANZAKI TRANSAXLE K46AG (s/n 0030153- 9999999)		Sida Page	
2008- 11		1391D						424	
Pos. Fig.	Antal/Quantity				Art nr Part No	Benämning	Description	Sats Kit	Anmärkning Notes
	K46 AG								
X	1	1			1134- 4846- 01	Transaxel kpl.....	Transaxle assy.....		Kanzaki K46AG
	2	1			1139- 1485- 01	Hus- övre	Housing- upper		
	3	1			1139- 1402- 01	Hus- nedre	Case- lower		
	7	1			1139- 1100- 01	Ventil kpl.....	Vent valve assy		
	8	2			1139- 1150- 01	Magnet	Magnet.....	S	
	9	1			1139- 1341- 01	Hållare- magnet	Holder- magnet		
	10	1			1139- 1499- 01	Pumpaxel kpl.....	Pump shaft kit.....		
	11	1			1139- 1347- 01	Fjäder.....	Spring		
	12	1			1139- 1324- 01	Axel- bypass	Shaft- bypass		
	13	1			1139- 1189- 01	Arm- bypass	Lever- bypass		
	14	1			1139- 1161- 01	Låsring	Ring		
	15	1			1139- 1275- 01	Plugg	Bore plug		
	16	1			1139- 1104- 01	Låsring	Snap ring		
X	17	2			1139- 1103- 01	• Tätningbricka	• Seal washer	S	
X	18	2			1139- 1500- 01	Dräneringsskruv	Drain bolt kit		
	21	2			1139- 1295- 01	Skruv	Tapping screw		
X	22	14			1139- 0244- 01	Skruv	Tapping screw		
X	24	1			1139- 1502- 01	Centrumhus	Center case assy		
	25	1			1139- 1158- 01	Stift.....	Pin		
	26	1			1139- 1405- 01	Filter	Filter	S	
	27	3			1139- 1294- 01	Bult	Bolt		
	28	2			1139- 1339- 01	Ventil	Valve		
	29	2			1139- 1338- 01	Fjäder.....	Spring		
	30	2			1139- 1346- 01	Kula	Ball		
	31	1			1139- 1356- 01	Cylinderblock kpl	Cylinder block assy		
	32	1			1139- 1245- 01	Fjäder.....	Spring		
	33	1			1139- 1406- 01	• Pumpaxel.....	• Pump shaft.....		
	34	3			1139- 1146- 01	• Låsring	• Ring		
	35	1			1139- 1110- 01	• Kullager	• Ball bearing		
X	36	1			1139- 1157- 01	Hus	Housing		
	37	1			1139- 1501- 01	Lager	Bearing.....		
	38	1			1139- 1139- 01	Cylinderblock kpl	Cylinder block assy		
	39	1			1139- 1160- 01	Bricka	Washer.....		
	40	1			1139- 1353- 01	Motoraxel	Motor shaft		
	41	1			1139- 1021- 01	Låsring	Snap ring		
	42	1			1139- 1272- 01	Motordrev	Motor gear		
	43	1			1139- 1453- 01	Lager	Bearing.....		
	44	2			1139- 1066- 01	Tryckplatta	Metal thrust.....		
	45	1			1139- 1475- 01	Stänklatta kpl	Swash plate assy		
	46	1			1139- 1362- 01	Lager	Bearing.....		
	49	1			1139- 1354- 01	Regleraxel.....	Control shaft		
	50	1			1139- 1410- 01	Excenter.....	Fulcrum.....		
	51	1			1139- 1312- 01	Fjäder.....	Spring		
	52	1			1139- 1409- 01	Reglerarm.....	Control arm.....		
	53	1			1139- 1325- 01	Reglerarm.....	Control lever		
	54	1			1139- 1408- 01	Ryckplatta.....	Jerky plate.....		
	55	1			1139- 1102- 01	Bricka	Washer.....		
	56	1			1139- 1355- 01	Saxpinne.....	Cotter pin		
	57	1			1139- 1329- 01	Stift.....	Pin		
	58	1			1139- 1285- 01	Stift.....	Pin		
	60	1			1139- 1127- 01	Mutter.....	Nut		
	61	1			1139- 1404- 01	Differentialdrev kpl	Differential gear kit.....		
	62	1			1139- 1258- 01	Slutdrev	Final gear		
	63	1			1139- 1255- 01	Hylsa	Collar		
	64	1			1139- 1256- 01	Reduktionsaxel	Reduction shaft.....		
	65	2			1139- 1398- 01	Bricka	Washer.....		
	66	1			1139- 1267- 01	Reduktionsdrev	Reduction gear		
	67	1			1139- 1361- 01	Slutdrev	Final pinion		
	68	1			1139- 1342- 01	Hjulaxel- vä.....	Axle shaft- left		
	69	1			1139- 1343- 01	Hjulaxel- hö.....	Axle shaft- right.....		
	70	2			1139- 1078- 01	Tryckbricka	Thrust washer		
	71	2			1139- 1163- 01	Låsring	Ring		
	72	2			1139- 1080- 01	Tätning	Seal	S	



1- **K46AG Transmission**

K46AG Seal Kit
Kit Includes

- | | |
|-----|-----|
| #17 | #72 |
| #19 | #81 |
| #20 | #91 |
| #26 | #99 |
| #59 | |

All parts may not be used.

200-

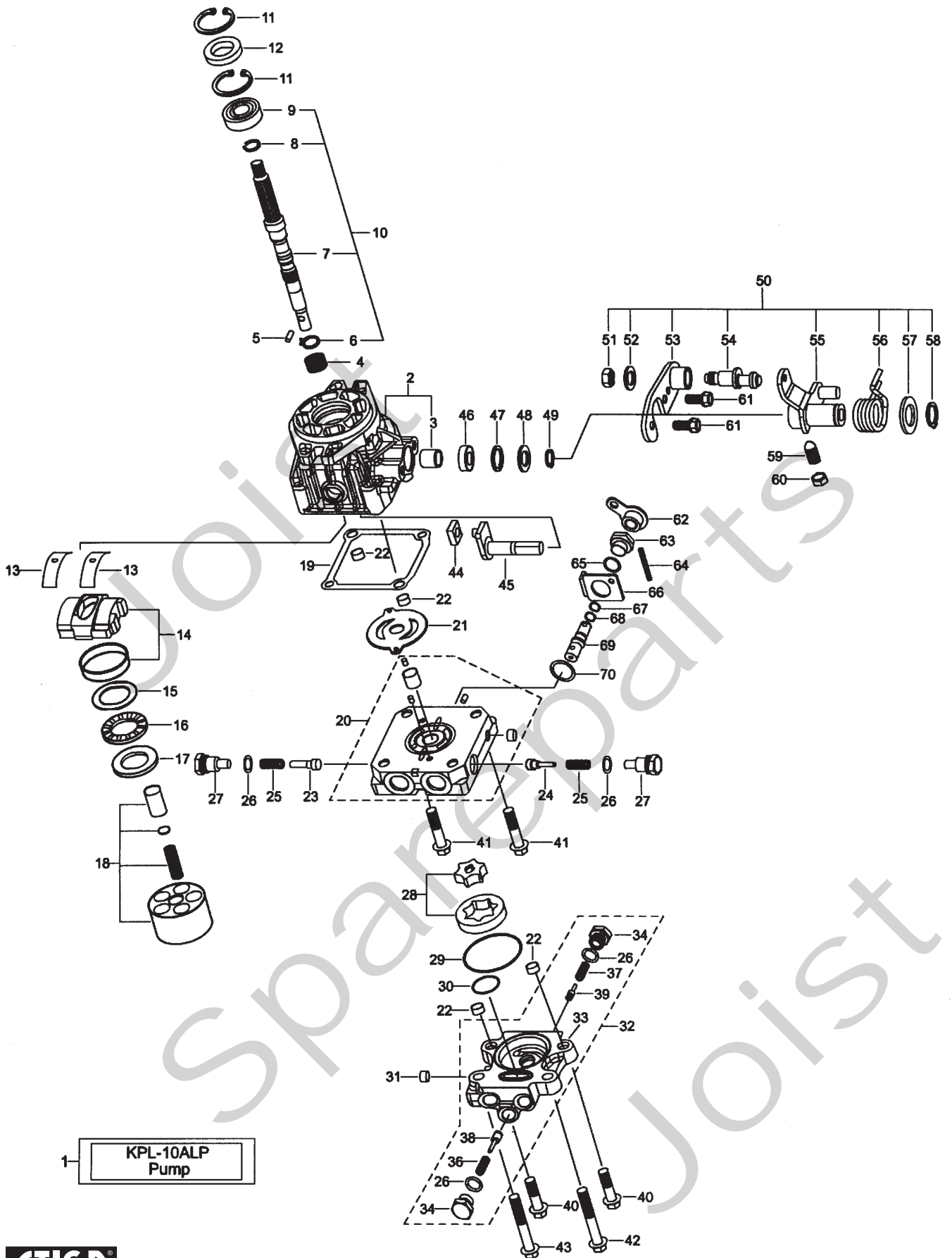
K46AG Repair Kit
Kit Includes

- | | |
|-----------------|-----|
| #24 | #38 |
| #31 | |
| #200 - Seal Kit | |

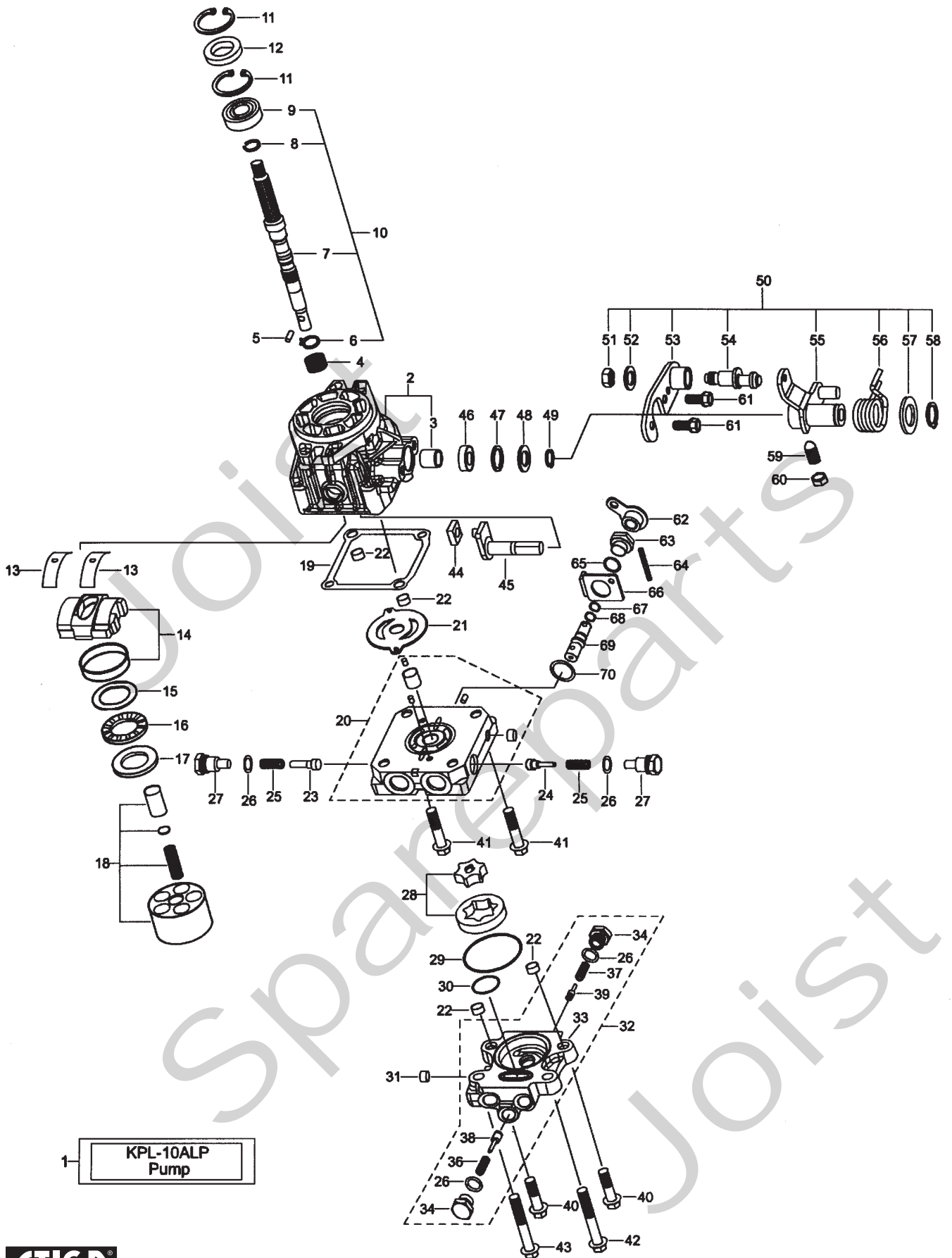
All parts may not be used.

201-

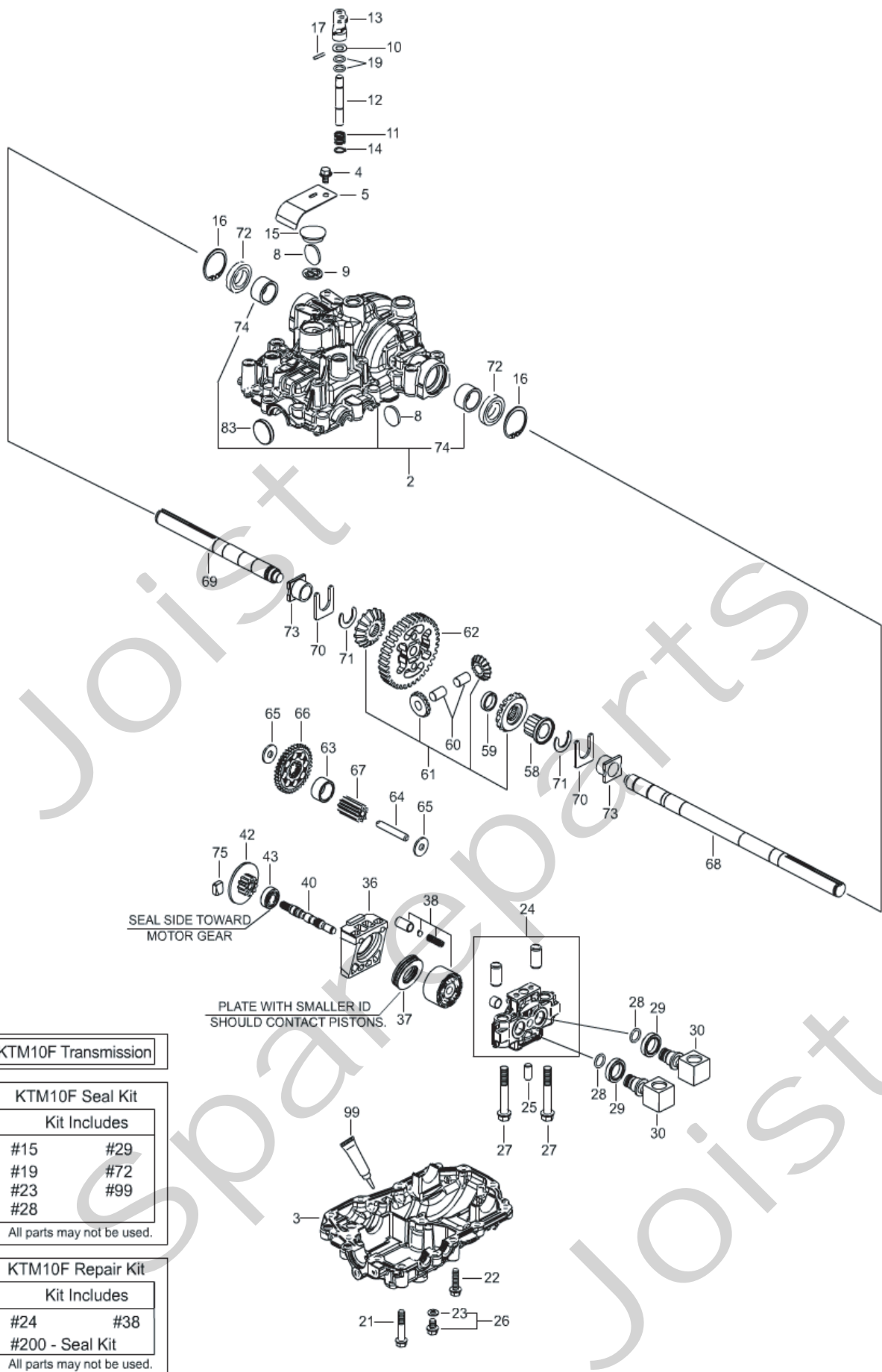
Utgåva Issue		Bildnr Picture No		KANZAKI TRANSAXEL K46AG (s/n 0030153- 9999999)		KANZAKI TRANSAXLE K46AG (s/n 0030153- 9999999)		Sida Page 426	
Pos. Fig.	Antal/Quantity				Art nr Part No	Benämning	Description	Sats Kit	Anmärkning Notes
	K46 AG								
73	2				1139-1164-01 Bussning	Bushing.....			
74	2				1139-1414-01 • Bussning.....	• Bushing.....			
75	1				1139-1260-01 Bromssko	Brake shoe			
76	1				1139-1261-01 Bromsarm	Brake arm			
77	1				1139-1320-01 Bromsaxel	Brake shaft.....			
78	1				1139-1411-01 Returfjäder	Return spring.....			
79	1				1139-1264-01 Bromstryckare	Brake actuator.....			
80	1				1139-1282-01 Stift.....	Pin			
82	2				1139-1281-01 Stift.....	Pin			
84	1				1139-1484-01 Remskiva.....	Belt pulley			
85	1				1134-4190-01 Fläkt.....	Fan			
86	1				1139-1266-01 Låsbricka	Lock washer.....			
87	1				1139-1149-01 Låsring	Snap ring			
90	1				1139-1280-01 Stift.....	Pin			
95	1				1139-1279-01 Stift.....	Pin			
99	1				1139-1443-01 Tätningsmedel	Sealant.....	S		
200	1				1139-1403-01 Packningsatts	Seal kit		Marked S	
201	1				1139-1486-01 Rep.sats	Repair kit.....			



Utgåva Issue 2008- 11		Bildnr Picture No 2424		KANZAKI HYDRAULPUMP KPL- 10ALP		KANZAKI HYDRAULIC PUMP KPL- 10ALP		Sida Page 428	
Pos. Fig.	Antal/Quantity				Art nr Part No	Benämning	Description	Sats Kit	Anmärkning Notes
	KPL- 10 ALP								
X	1	1			1134-5700-01	Hydraulpump kpl	Hydraulic pump assy		Kanzaki KPL- 10ALP Inkl. pos 3
X	2	1			1139-1514-01	Hus	Housing		
X	3	1			1139-1512-01	• Bussning	• Bushing		
	4	1			1139-1018-01	Fjäder	Spring		
	5	1			1139-1148-01	Stift	Pin		
	6	1			1139-1021-01	• Låsring	• Snap ring		
X	8	1			1139-1532-01	• Låsring	• Retaining ring		
	9	1			1139-0236-01	• Kullager	• Ball bearing		
X	10	1			1139-1516-01	Pumpaxel kpl	Pump shaft assy		Inkl. pos 6-9
	11	2			1139-1369-01	Spårring	Snap ring		
	12	1			1139-1396-01	Tätningring	Seal		
	13	2			1139-1022-01	Tryckplatta	Metal thrust		
X	14	1			1139-1523-01	Stänklatta	Swash plate		
	15	1			1139-1026-01	Tryckplatta	Thrust plate		
	16	1			1139-1024-01	Lager	Bearing		
X	17	1			1139-1525-01	Tryckplatta	Thrust plate		
X	18	1			1139-1509-01	Cylinderblock kpl	Cylinder block kit		
X	19	1			1139-1515-01	Packning	Case gasket		
X	20	1			1139-1521-01	Centrumhus	Center case assy		
X	21	1			1139-1513-01	Ventilplatta	Valve plate		
	22	8			1139-1166-01	Tapp	Pin		
	23	1			1139-1368-01	Ventil	Check valve F		
	24	1			1139-1374-01	Ventil	Check valve R		
	25	2			1139-1366-01	Fjäder	Spring		
	27	2			1139-1367-01	Plugg	Check plug		
X	28	1			1139-1530-01	Rotor	Rotor set		
X	29	1			1139-1529-01	O-ring	Packing		
X	30	1			1139-1533-01	O-ring	O-ring		
	31	1			1139-1107-01	Plugg	Plug		
X	32	1			1139-1518-01	Pump kpl	Power pump assy		Inkl. pos 26, 33-39
X	33	1			1139-1519-01	• Pumphus	• Pump body		
	34	2			1139-1375-01	• Plugg	• Charge plug		
	35	1			1139-1114-01	O-ring	O-ring		
	36	1			1139-1376-01	• Fjäder	• Spring		
	37	1			1139-1389-01	• Ventilfjäder	• Valve spring		
	38	1			1139-1385-01	• Ventil	• Relief valve		
	39	1			1139-1386-01	• Ventil	• Charge valve		
X	40	2			1139-1535-01	Skruv	Bolt w/washer		
X	41	4			1139-1536-01	Skruv	Bolt w/washer		
X	42	1			1139-1537-01	Skruv	Bolt w/washer		
X	43	1			1139-1538-01	Skruv	Bolt w/washer		
X	44	1			1139-1524-01	Växelblock	Shift block		
X	45	1			1139-1517-01	Reglagearm	Control arm		
	46	1			1139-1365-01	Tätningring	Oil seal		
	47	1			1139-1393-01	Spårring	Ring		
	48	1			1139-1382-01	Bricka	Washer		
	49	1			1139-1391-01	Låsring	Ring		
X	50	1			1139-1520-01	Arm kpl	Neutral return assy		Inkl. pos 51-58
	51	1			1139-1127-01	• Mutter	• Nut		
	52	1			1139-1102-01	• Bricka	• Washer		
	53	1			1139-1377-01	• Plåt	• Plate		
	54	1			1139-1378-01	• Vridcentrum	• Fulcrum		
	55	1			1139-1379-01	• Arm	• Arm		
	56	1			1139-1380-01	• Returfjäder	• Return spring		
	57	1			1139-1390-01	• Bricka	• Washer		
	58	1			1139-1392-01	• Spårring	• Ring		
	59	1			1139-1381-01	Stoppsskruv	Set screw		
	60	1			1139-1127-01	Mutter	Nut		
	61	2			1139-1122-01	Bult m.bricka	Bolt w/washer		
	62	1			1139-1372-01	By-pass arm	By-pass lever		
	63	1			1139-1371-01	Adapter	By-pass adapter		
	64	1			1139-1395-01	Stift	Pin		
	65	1			1139-1115-01	O-ring	O-ring		



Utgåva Issue 2008- 11		Bildnr Picture No 2424		KANZAKI HYDRAULPUMP KPL- 10ALP		KANZAKI HYDRAULIC PUMP KPL- 10ALP		Sida Page 430	
Pos. Fig.	Antal/Quantity				Art nr Part No	Benämning	Description	Sats Kit	Anmärkning Notes
	KPL- 10 ALP								
X	66	1			1139- 1373- 01	Plåt	By- pass plate		
	67	1			1139- 1387- 01	Ring	Back- up ring		
	68	1			1139- 1112- 01	O- ring	O- ring		
	69	1			1139- 1370- 01	By- pass axel	By- pass pin		
	70	1			1139- 1522- 01	Vågbricka	Wave washer		



1- KTM10F Transmission

KTM10F Seal Kit

Kit Includes

- #15 #29
- #19 #72
- #23 #99
- #28

All parts may not be used.

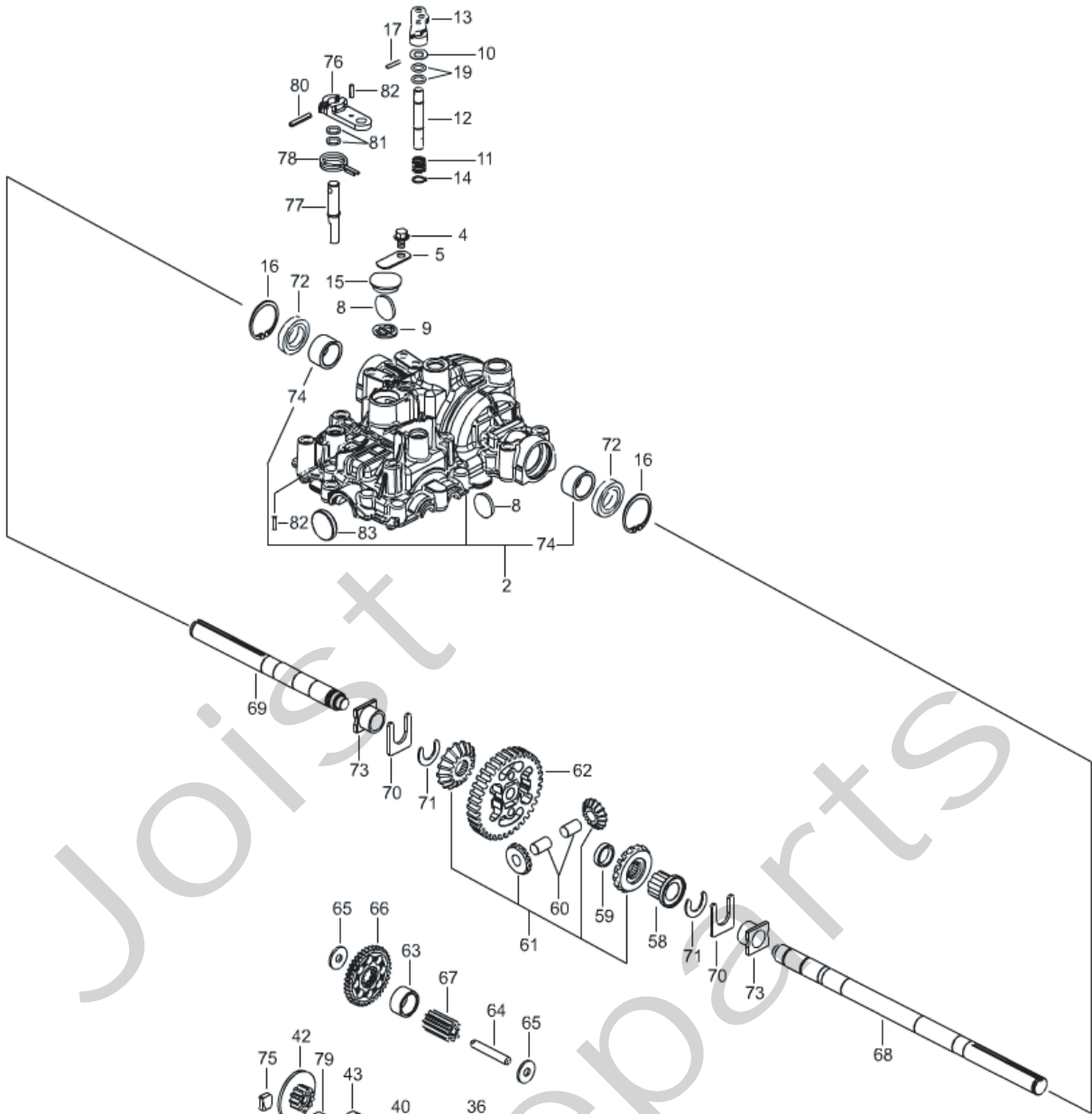
KTM10F Repair Kit

Kit Includes

- #24 #38
- #200 - Seal Kit

All parts may not be used.

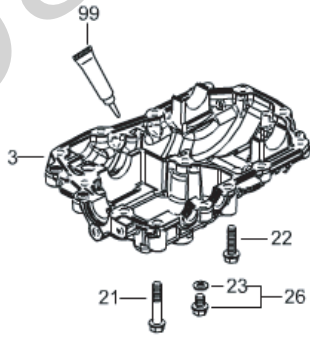
Utgåva Issue 2008- 11		Bildnr Picture No 2216		KANZAKI TRANSAXEL KTM 10F		KANZAKI TRANSAXLE KTM 10F		Sida Page 432	
Pos. Fig.	Antal/Quantity				Art nr Part No	Benämning	Description	Sats Kit	Anmärkning Notes
	KTM 10F								
1	1				1134-5702-01	Motoraxel- fram	Motor shaft- front.....		Kanzaki KTM 10F Inkl. pos 74
2	1				1139-1417-01	Hus- övre	Housing- upper		
3	1				1139-1418-01	Hus- nedre	Housing- lower		
4	1				1139-1123-01	Bult	Bolt		
5	1				1139-1384-01	Glidplåt	Skid plate		
8	2				1139-1150-01	Magnet	Magnet		
9	1				1139-1341-01	Hållare- magnet	Holder- magnet		
10	1				1139-1388-01	Bricka	Washer		
11	1				1139-1421-01	Fjäder.....	Spring		
12	1				1139-1420-01	By- passaxel.....	By- pass shaft		
13	1				1139-1189-01	Arm- bypass	Lever- bypass		
14	1				1139-1391-01	Låsring	Ring		
15	1				1139-1397-01	Tätningshuv.....	Sealing cap		
16	2				1139-1444-01	Låsring	Ring		
17	1				1139-1280-01	Stift.....	Pin		
19	2				1139-1114-01	O- ring	O- ring		
21	3				1139-1291-01	Bult.....	Bolt		
22	11				1139-1448-01	Bult.....	Bolt		
23	1				1139-1103-01	Tätningbricka	Seal washer		
X 24	1				1139-1503-01	Centrumhus.....	Center case		
25	1				1139-1445-01	Tapp.....	Pin		
27	2				1139-1449-01	Bult.....	Bolt		
28	2				1139-1446-01	Packning.....	Packing		
29	2				1139-1447-01	Tätningring	Seal		
X 30	2				1139-1424-01	Anslutning	Connector		
X 36	1				1139-1504-01	Motorhus.....	Motor housing		
37	1				1139-1438-01	Lager	Bearing.....		
X 38	1				1139-1509-01	Cylinderblock kpl	Cylinder block kit		
40	1				1139-1425-01	Motoraxel	Motor shaft		
42	1				1139-1442-01	Motordrev.....	Motor gear		
43	1				1139-1453-01	Lager	Bearing.....		
58	1				1139-1330-01	Hylsa	Collar		
59	1				1139-1435-01	Hylsa	Collar		
60	1				1139-1440-01	Axel	Pin		
61	1				1139-1439-01	Differentialdrev kpl	Differential gear kit.....		
62	1				1139-1429-01	Slutdrev	Final gear		
63	1				1139-1427-01	Hylsa	Collar		
64	1				1139-1256-01	Reduktionsaxel	Reduction shaft.....		
65	2				1139-1398-01	Bricka	Washer.....		
66	1				1139-1441-01	Reduktionsdrev	Reduction gear.....		
67	1				1139-1361-01	Slutdrev	Final pinion		
68	1				1139-1432-01	Hjulaxel.....	Axle		
69	1				1139-1431-01	Hjulaxel.....	Axle		
70	2				1139-1194-01	Tryckbricka	Thrust washer		
71	2				1139-1155-01	Låsring	Ring		
72	2				1139-1044-01	Tätning	Seal		
73	2				1139-1156-01	Bussning	Bushing.....		
74	2				1139-1415-01	• Bussning.....	• Bushing.....		
75	1				1139-1260-01	Bromssko	Brake shoe		
83	1				1139-1450-01	Tätningshuv.....	Sealing cap		
99	1				1139-1443-01	Tätningmedel.....	Sealant		
200	1				1139-1436-01	Servicesats.....	Seal kit		



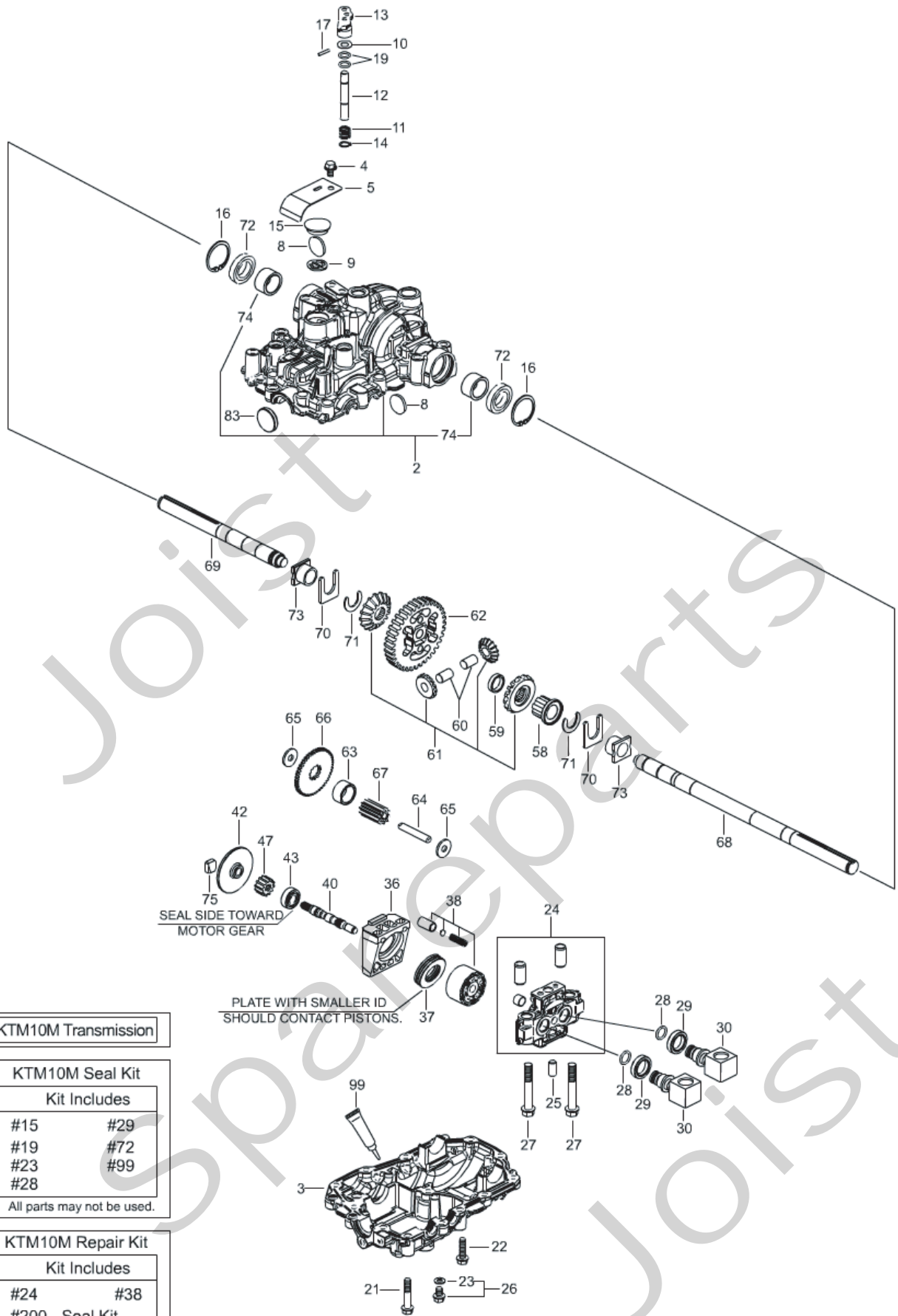
SEAL SIDE TOWARD
MOTOR GEAR

PLATE WITH SMALLER ID
SHOULD CONTACT PISTONS.

- 1- **KTM10G Transmission**
- 200- **KTM10G Seal Kit**
- | Kit Includes | |
|--------------|-----|
| #15 | #51 |
| #19 | #55 |
| #23 | #72 |
| #28 | #81 |
| #29 | #99 |
- All parts may not be used.
- 201- **KTM10G Repair Kit**
- | Kit Includes | |
|-----------------|-----|
| #24 | #38 |
| #200 - Seal Kit | |
- All parts may not be used.

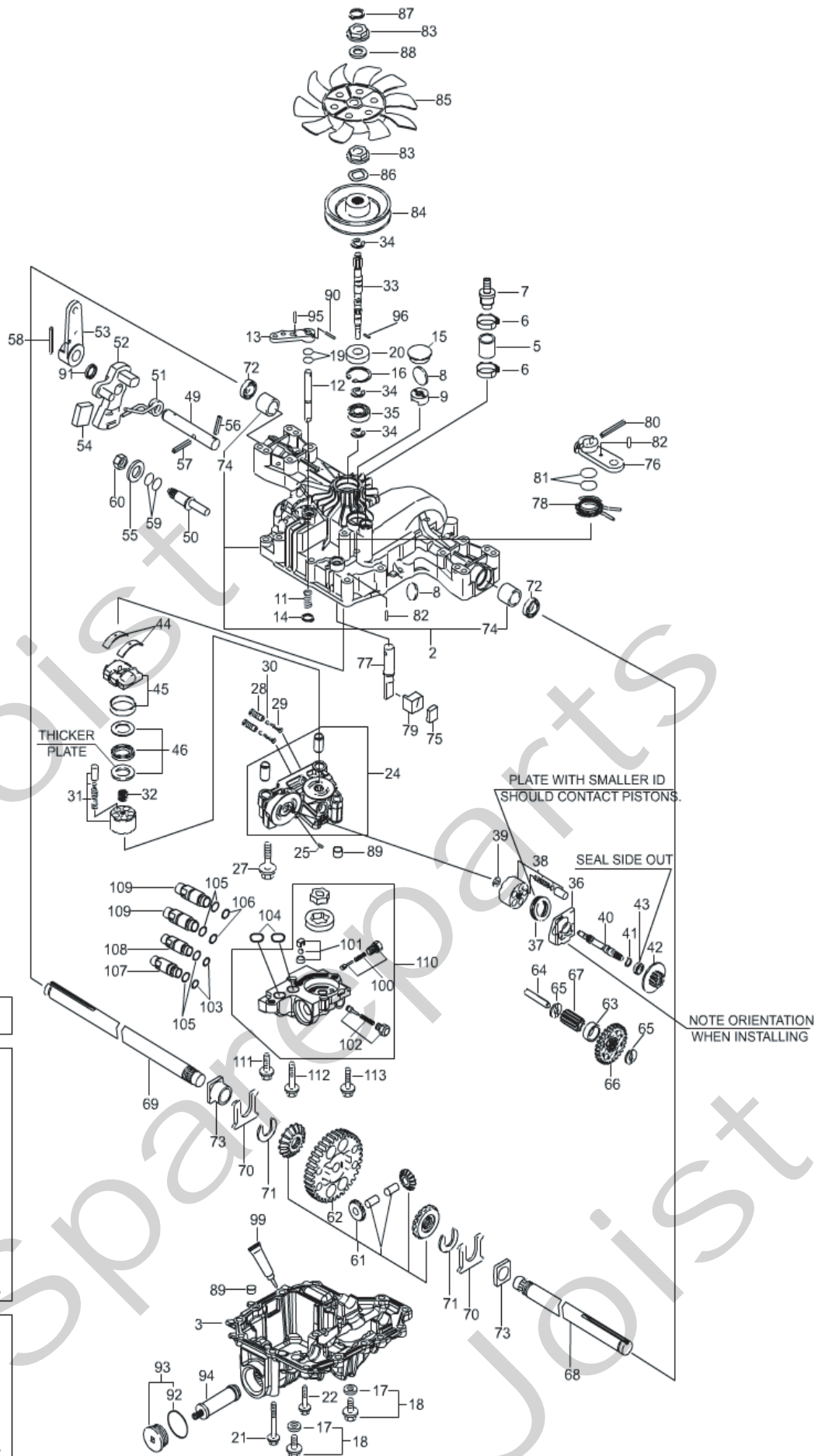


Utgåva Issue 2008- 11		Bildnr Picture No 2217		KANZAKI TRANSAXEL KTM 10G		KANZAKI TRANSAXLE KTM 10G		Sida Page 434	
Pos. Fig.	Antal/Quantity				Art nr Part No	Benämning	Description	Sats Kit	Anmärkning Notes
	KTM 10G								
	1				1134-5701-01	Motoraxel- bak.....	Motor shaft- rear		Kanzaki KTM 10G Inkl. pos 74
	2				1139-1417-01	Hus- övre	Housing- upper		
	3				1139-1418-01	Hus- nedre	Housing- lower		
	4				1139-1123-01	Bult	Bolt		
	5				1139-1383-01	Plåt	Vent port plate.....		
	8				1139-1150-01	Magnet	Magnet		
	9				1139-1341-01	Hållare- magnet	Holder- magnet		
	10				1139-1388-01	Bricka	Washer		
	11				1139-1421-01	Fjäder.....	Spring		
	12				1139-1420-01	By- passaxel.....	By- pass shaft		
	13				1139-1189-01	Arm- bypass	Lever- bypass		
	14				1139-1391-01	Låsring	Ring		
	15				1139-1397-01	Tätningshuv.....	Sealing cap		
	16				1139-1444-01	Låsring	Ring		
	17				1139-1280-01	Stift.....	Pin		
	19				1139-1114-01	O- ring	O- ring		
	21				1139-1291-01	Bult.....	Bolt		
	22	11			1139-1448-01	Bult.....	Bolt		
	23				1139-1103-01	Tätningbricka	Seal washer		
X	24				1139-1503-01	Centrumhus.....	Center case		
	25				1139-1445-01	Tapp.....	Pin		
	27				1139-1449-01	Bult.....	Bolt		
	28				1139-1446-01	Packning.....	Packing		
	29				1139-1447-01	Tätningring	Seal		
X	30				1139-1423-01	Anslutning	Connector		
	36				1139-1504-01	Motorhus.....	Motor housing		
	37				1139-1438-01	Lager	Bearing.....		
X	38				1139-1509-01	Cylinderblock kpl.....	Cylinder block kit		
	40				1139-1425-01	Motoraxel	Motor shaft		
	42				1139-1442-01	Motordrev.....	Motor gear		
	43				1139-1453-01	Lager	Bearing.....		
X	58				1139-1531-01	Hylsa	Collar		
	59				1139-1435-01	Hylsa	Collar		
	60				1139-1440-01	Axel	Pin		
	61				1139-1439-01	Differentialdrev kpl.....	Differential gear kit.....		
	62				1139-1429-01	Slutdrev.....	Final gear		
	63				1139-1427-01	Hylsa	Collar		
	64				1139-1256-01	Reduktionsaxel	Reduction shaft.....		
	65				1139-1398-01	Bricka	Washer.....		
	66				1139-1441-01	Reduktionsdrev	Reduction gear.....		
	67				1139-1361-01	Slutdrev.....	Final pinion		
	68				1139-1434-01	Hjulaxel.....	Axle.....		
	69				1139-1433-01	Hjulaxel.....	Axle.....		
	70				1139-1194-01	Tryckbricka	Thrust washer		
	71				1139-1155-01	Låsring	Ring		
	72				1139-1044-01	Tätning	Seal		
	73				1139-1156-01	Bussning	Bushing.....		
	74				1139-1415-01	• Bussning.....	• Bushing.....		
	75				1139-1260-01	Bromssko	Brake shoe		
	76				1139-1261-01	Bromsarm	Brake arm		
	77				1139-1320-01	Bromsaxel	Brake shaft.....		
	78				1139-1263-01	Returfjäder	Return spring.....		
	79				1139-1264-01	Bromstryckare	Brake actuator.....		
	80				1139-1282-01	Stift.....	Pin		
	82				1139-1281-01	Stift.....	Pin		
	83				1139-1450-01	Tätningshuv.....	Sealing cap		
	99				1139-1443-01	Tätningmedel.....	Sealant		
	200				1139-1437-01	Servicesats.....	Seal kit		



- 1- KTM10M Transmission
- 200- KTM10M Seal Kit
 - Kit Includes
 - #15 #29
 - #19 #72
 - #23 #99
 - #28
 - All parts may not be used.
- 201- KTM10M Repair Kit
 - Kit Includes
 - #24 #38
 - #200 - Seal Kit
 - All parts may not be used.

Utgåva Issue 2008- 11		Bildnr Picture No 2218		KANZAKI TRANSAXEL KTM 10M		KANZAKI TRANSAXLE KTM 10M		Sida Page 436	
Pos. Fig.	Antal/Quantity				Art nr Part No	Benämning	Description	Sats Kit	Anmärkning Notes
	KTM 10M								
1	1				1134- 6029- 01	Motoraxel- fram	Transaxle- front		Kanzaki KTM 10M Pos 74 incl.
2	1				1139- 1417- 01	Hus- övre	Housing- upper		
3	1				1139- 1418- 01	Hus- nedre	Housing- lower		
4	1				1139- 1123- 01	Bult	Bolt		
5	1				1139- 1384- 01	Glidplåt	Skid plate		
8	2				1139- 1150- 01	Magnet	Magnet		
9	1				1139- 1341- 01	Hållare- magnet	Holder- magnet		
10	1				1139- 1388- 01	Bricka	Washer		
11	1				1139- 1421- 01	Fjäder	Spring		
12	1				1139- 1420- 01	By- passaxel	By- pass shaft		
13	1				1139- 1189- 01	Arm- bypass	Lever- bypass		
14	1				1139- 1391- 01	Låsring	Ring		
15	1				1139- 1397- 01	Tätningshuv	Sealing cap		
16	2				1139- 1444- 01	Låsring	Ring		
17	1				1139- 1280- 01	Stift	Pin		
19	2				1139- 1114- 01	O- ring	O- ring		
21	3				1139- 1291- 01	Bult	Bolt		
22	11				1139- 1448- 01	Bult	Bolt		
23	1				1139- 1103- 01	Tätningbricka	Seal washer		
X 24	1				1139- 1503- 01	Centrumhus	Center case		
25	1				1139- 1445- 01	Tapp	Pin		
27	2				1139- 1449- 01	Bult	Bolt		
28	2				1139- 1446- 01	Packning	Packing		
29	2				1139- 1447- 01	Tätningring	Seal		
X 30	2				1139- 1424- 01	Anslutning	Connector		
X 36	1				1139- 1504- 01	Motorhus	Motor housing		
37	1				1139- 1438- 01	Lager	Bearing		
X 38	1				1139- 1509- 01	Cylinderblock kpl	Cylinder block kit		
40	1				1139- 1425- 01	Motoraxel	Motor shaft		
42	1				1139- 1451- 01	Bromsskiva	Brake disc		
43	1				1139- 1453- 01	Lager	Bearing		
47	1				1139- 1426- 01	Motordrev	Motor gear		
58	1				1139- 1330- 01	Hylsa	Collar		
59	1				1139- 1435- 01	Hylsa	Collar		
60	1				1139- 1440- 01	Axel	Pin		
61	1				1139- 1439- 01	Differentialdrev kpl	Differential gear kit		
62	1				1139- 1429- 01	Slutdrev	Final gear		
63	1				1139- 1427- 01	Hylsa	Collar		
64	1				1139- 1256- 01	Reduktionsaxel	Reduction shaft		
65	2				1139- 1398- 01	Bricka	Washer		
66	1				1139- 1430- 01	Reduktionsdrev	Reduction gear		
67	1				1139- 1361- 01	Slutdrev	Final pinion		
68	1				1139- 1432- 01	Hjulaxel	Axle		
69	1				1139- 1431- 01	Hjulaxel	Axle		
70	2				1139- 1194- 01	Tryckbricka	Thrust washer		
71	2				1139- 1155- 01	Låsring	Ring		
72	2				1139- 1044- 01	Tätning	Seal		
73	2				1139- 1156- 01	Bussning	Bushing		
74	2				1139- 1415- 01	• Bussning	• Bushing		
75	1				1139- 1260- 01	Bromssko	Brake shoe		
83	1				1139- 1450- 01	Tätningshuv	Sealing cap		
99	1				1139- 1443- 01	Tätningsmedel	Sealant		
200	1				1139- 1436- 01	Servicesats	Seal kit		



1- K574F Transmission

K574F Seal Kit

Kit Includes

#19	#92
#20	#94
#23	#99
#30	#103
#59	#104
#72	#105
#81	#106
#91	

All parts may not be used.

K574F Repair Kit

Kit Includes

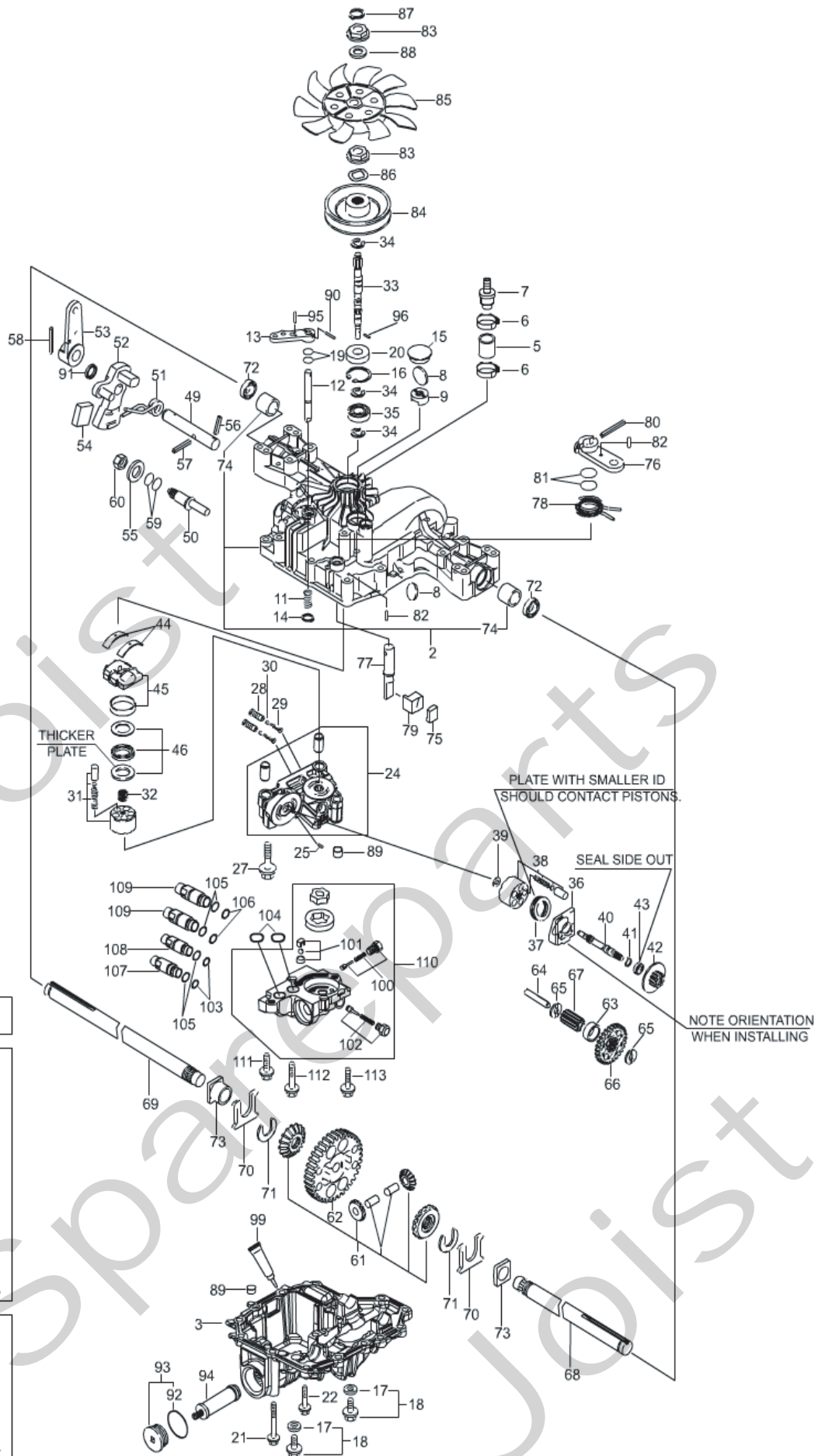
#24	#38
#31	
#200-Seal Kit	

All parts may not be used.

200-

201-

Utgåva Issue		Bildnr Picture No		KANZAKI TRANSAXEL K574F		KANZAKI TRANSAXLE K574F		Sida Page	
2008- 11		2220						438	
Pos. Fig.	Antal/Quantity				Art nr Part No	Benämning	Description	Sats Kit	Anmärkning Notes
	574F								
	1	1			1134-6129-01	Transaxel kpl.....	Transaxle assy.....		Kanzaki K574F Inkl. pos 74
	2	1			1139-1470-01	Hus- övre	Housing- upper		
	3	1			1139-1456-01	Hus- nedre	Housing- lower		
	5	1			1139-1301-01	Rör	Tube		
	6	2			1139-1336-01	Slangklämma.....	Hose clamp		
	7	1			1139-1306-01	Adapter.....	Adapter		
	8	2			1139-1150-01	Magnet	Magnet		
	9	1			1139-1341-01	Hållare- magnet	Holder- magnet		
	11	1			1139-1347-01	Fjäder.....	Spring		
	12	1			1139-1251-01	Axel- bypass	Shaft- bypass		
	13	1			1139-1189-01	Arm- bypass	Lever- bypass		
	14	1			1139-1161-01	Låsring	Ring		
	15	1			1139-1275-01	Plugg.....	Bore plug		
	16	1			1139-1104-01	Låsring	Snap ring		
	17	2			1139-1103-01	• Tätningbricka	• Seal washer		
X	18	2			1139-1500-01	Dräneringsskruv	Drain bolt kit	Inkl. pos 17	
	20	1			1139-1119-01	Tätning	Seal		
	21	4			1139-1473-01	Bult.....	Bolt		
	22	12			1139-0244-01	Skruv.....	Tapping screw		
	24	1			1139-1465-01	Centrumhus.....	Center case		
	25	1			1139-1158-01	Stift.....	Pin		
	27	2			1139-1294-01	Bult.....	Bolt		
	28	2			1139-1468-01	Ventil	IDS valve.....		
	29	2			1139-1243-01	Fjäder.....	Spring		
	30	2			1139-1307-01	Filter	Filter		
	31	1			1139-1356-01	Cylinderblock kpl	Cylinder block assy		
	32	1			1139-1245-01	Fjäder.....	Spring		
X	33	1			1139-1528-01	Pumpaxel.....	Pump shaft kit.....		
	34	3			1139-1146-01	Låsring	Ring		
	35	1			1139-1110-01	Kullager	Ball bearing		
	36	1			1139-1458-01	Hus	Housing		
	37	1			1139-1438-01	Lager	Bearing.....		
	38	1			1139-1454-01	Cylinderblock.....	Cylinder block		
	39	1			1139-1160-01	Bricka	Washer		
	40	1			1139-1353-01	Motoraxel	Motor shaft		
	41	1			1139-1021-01	Låsring	Snap ring		
	42	1			1139-1272-01	Motordrev.....	Motor gear		
	43	1			1139-1453-01	Lager	Bearing.....		
	44	2			1139-1066-01	Tryckplatta	Metal thrust.....		
	45	1			1139-1067-01	Stänkplatta kpl	Swash plate assy		
X	46	1			1139-1508-01	Lager	Thrust bearing kit.....		
	49	1			1139-1354-01	Regleraxel.....	Control shaft		
	50	1			1139-1410-01	Excenter.....	Fulcrum.....		
	51	1			1139-1312-01	Fjäder.....	Spring		
	52	1			1139-1409-01	Reglerarm.....	Control arm.....		
	53	1			1139-1325-01	Reglerarm.....	Control lever		
	54	1			1139-1408-01	Ryckplatta.....	Jerky plate.....		
	55	1			1139-1102-01	Bricka	Washer.....		
	56	1			1139-1355-01	Saxpinne.....	Cotter pin		
	57	1			1139-1329-01	Stift.....	Pin		
	58	1			1139-1285-01	Stift.....	Pin		
	60	1			1139-1127-01	Mutter.....	Nut		
	61	1			1139-1404-01	Differentialdrev kpl	Differential gear kit.....		
	62	1			1139-1258-01	Slutdrev	Final gear		
	63	1			1139-1255-01	Hylsa	Collar		
	64	1			1139-1256-01	Reduktionsaxel	Reduction shaft.....		
	65	2			1139-1398-01	Bricka	Washer.....		
	66	1			1139-1267-01	Reduktionsdrev	Reduction gear.....		
	67	1			1139-1361-01	Slutdrev	Final pinion		
	68	1			1139-1344-01	Hjulaxel- vä	Axle shaft- left		
	69	1			1139-1345-01	Hjulaxel- hö	Axle shaft- right.....		
	70	2			1139-1078-01	Tryckbricka	Thrust washer		
	71	2			1139-1163-01	Låsring	Ring		



1- K574F Transmission

K574F Seal Kit

Kit Includes

- | | |
|-----|------|
| #19 | #92 |
| #20 | #94 |
| #23 | #99 |
| #30 | #103 |
| #59 | #104 |
| #72 | #105 |
| #81 | #106 |
| #91 | |

All parts may not be used.

K574F Repair Kit

Kit Includes

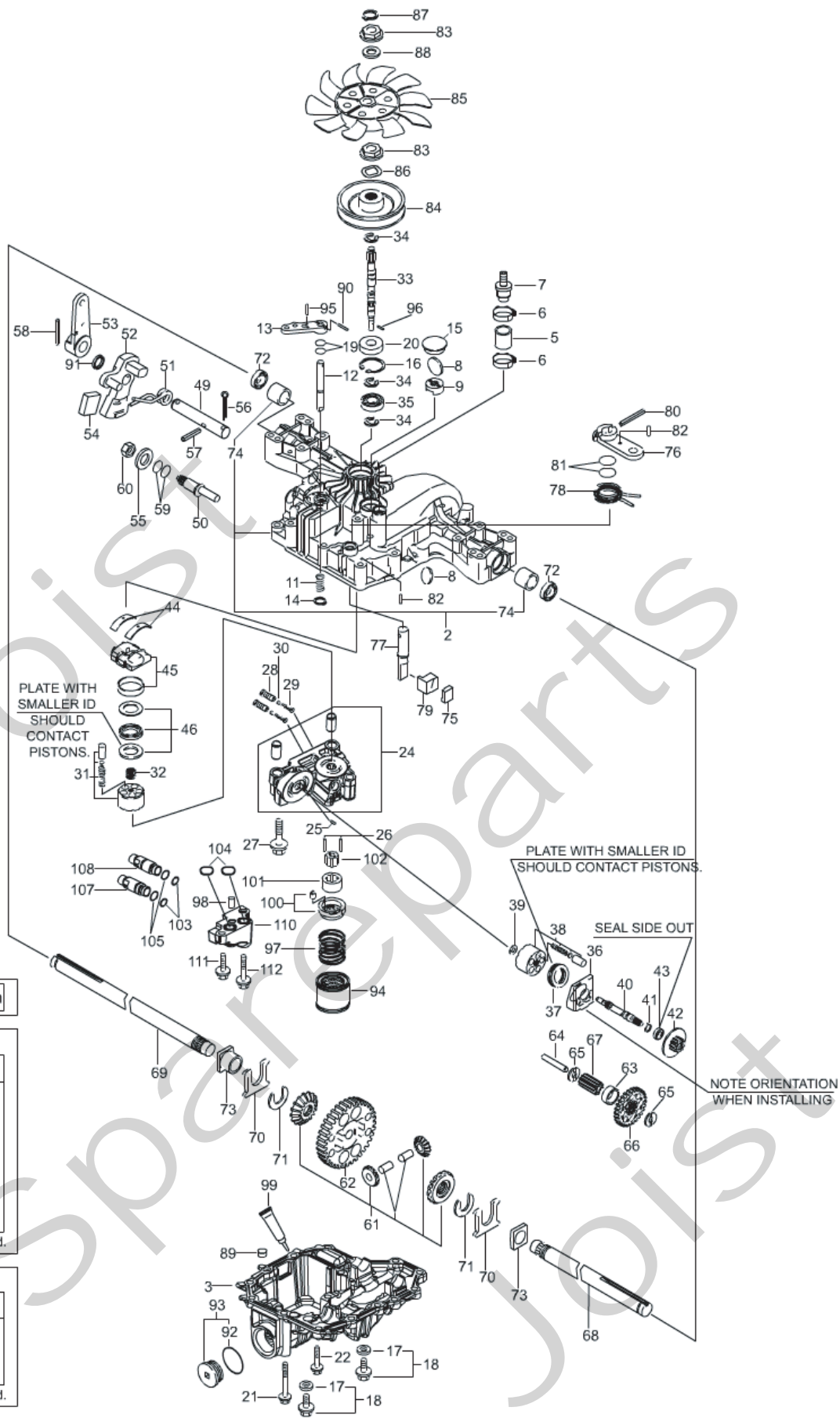
- | | |
|---------------|-----|
| #24 | #38 |
| #31 | |
| #200-Seal Kit | |

All parts may not be used.

200-

201-

Utgåva Issue 2008- 11		Bildnr Picture No 2220		KANZAKI TRANSAXEL K574F		KANZAKI TRANSAXLE K574F		Sida Page 440	
Pos. Fig.	Antal/Quantity				Art nr Part No	Benämning	Description	Sats Kit	Anmärkning Notes
	574F								
72	2			1139-1080-01	Tätning	Seal			
73	2			1139-1164-01	Bussning	Bushing			
74	2			1139-1414-01	• Bussning	• Bushing			
75	1			1139-1260-01	Bromssko	Brake shoe			
76	1			1139-1261-01	Bromsarm	Brake arm			
77	1			1139-1320-01	Bromsaxel	Brake shaft			
78	1			1139-1411-01	Returfjäder	Return spring			
79	1			1139-1264-01	Bromstryckare	Brake actuator			
80	1			1139-1282-01	Stift	Pin			
82	2			1139-1281-01	Stift	Pin			
83	2			1139-1248-01	Krage	Spline collar			
84	1			1139-1469-01	Remskiva	Pulley			
85	1			1134-4190-01	Fläkt	Fan			
86	1			1139-1266-01	Låsbricka	Lock washer			
87	1			1139-1149-01	Låsring	Snap ring			
88	1			1139-1276-01	Bricka	Collar			
89	4			1139-1166-01	Tapp	Pin			
90	1			1139-1280-01	Stift	Pin			
91	1			1139-1303-01	Tätningssats	Oil seal			
X 92	1			1139-1534-01	• O-ring	• O-ring			
X 93	1			1139-1510-01	Lock	Cap kit		Inkl. pos 92	
94	1			1139-1186-01	Filter	Filter			
95	1			1139-1279-01	Stift	Pin			
96	1			1139-1148-01	Stift	Pin			
99	1			1139-1443-01	Tätningssats	Sealant			
100	1			1139-1462-01	• Ventil	• Valve			
101	1			1139-1234-01	• Ventil kpl	• Check assy			
102	1			1139-1463-01	• Ventil	• Valve			
106	2			1139-1168-01	Packning	Packing			
107	1			1139-1459-01	Nippel	Piping			
108	1			1139-1460-01	Nippel	Piping			
109	2			1139-1464-01	Anslutning	Connector			
X 110	1			1139-1526-01	Pumphus kpl	Pump case kit		Inkl. pos 101 - 102	
111	1			1139-1472-01	Bult	Bolt			
112	1			1139-1455-01	Skruv	Tapping screw			
113	1			1139-1471-01	Bult	Bolt			
200	1			1139-1481-01	Servicesats	Seal kit			
X 201	1			1139-1527-01	Reparationssats	Repair kit			



1- K574G Transmission

K574G Seal Kit

Kit Includes

#17	#91
#19	#92
#20	#94
#30	#99
#59	#103
#72	#104
#81	#105

All parts may not be used.

200-

K574G Repair Kit

Kit Includes

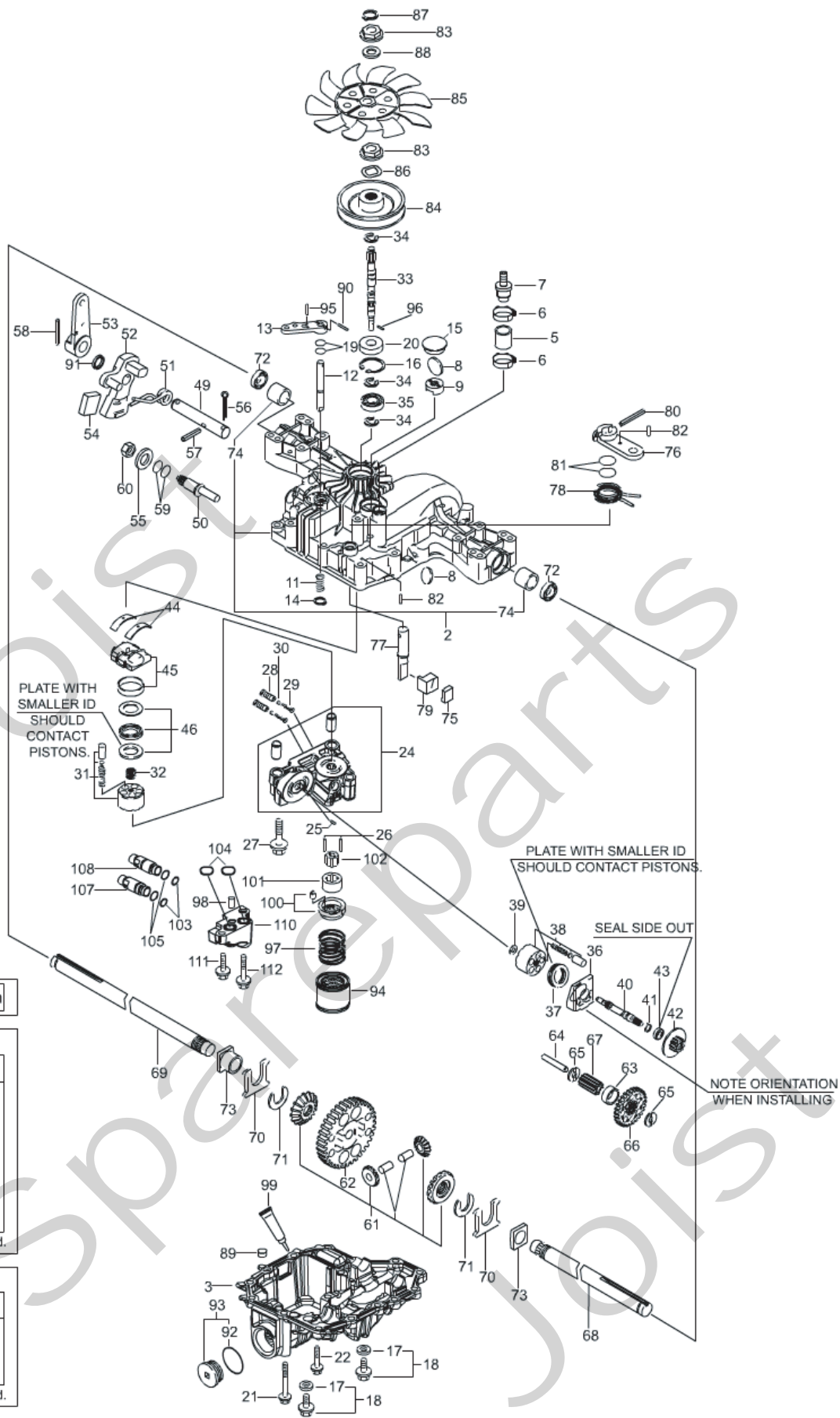
#24	#38
#31	

#200-Seal Kit

All parts may not be used.

201-

Utgåva Issue 2008- 11		Bildnr Picture No 2221		KANZAKI TRANSAXEL K574G		KANZAKI TRANSAXLE K574G		Sida Page 442	
Pos. Fig.	Antal/Quantity				Art nr Part No	Benämning	Description	Sats Kit	Anmärkning Notes
	574G								
1	1				1134-6394-01	Transaxel kpl.....	Transaxle assy.....		Kanzaki K574G Pos 74 incl.
2	1				1139-1470-01	Hus- övre	Housing- upper		
3	1				1139-1456-01	Hus- nedre	Housing- lower		
5	1				1139-1301-01	Rör	Tube		
6	2				1139-1336-01	Slangklämma.....	Hose clamp		
7	1				1139-1306-01	Adapter.....	Adapter		
8	2				1139-1150-01	Magnet	Magnet		
9	1				1139-1341-01	Hållare- magnet	Holder- magnet		
11	1				1139-1347-01	Fjäder.....	Spring		
12	1				1139-1251-01	Axel- bypass	Shaft- bypass		
13	1				1139-1189-01	Arm- bypass	Lever- bypass.....		
14	1				1139-1161-01	Låsring	Ring		
15	1				1139-1275-01	Plugg.....	Bore plug		
16	1				1139-1104-01	Låsring	Snap ring		
17	2				1139-1103-01	• Tätningbricka	• Seal washer.....		
18	2				1139-1500-01	Dräneringsskruv	Drain bolt kit	Pos 17 incl.	
20	1				1139-1119-01	Tätning	Seal		
21	4				1139-1473-01	Bult.....	Bolt		
22	12				1139-0244-01	Skruv.....	Tapping screw.....		
24	1				1139-1487-01	Centrumhus.....	Center case		
25	1				1139-1158-01	Stift.....	Pin		
26	2				1139-1497-01	Stift.....	Pin		
27	2				1139-1294-01	Bult.....	Bolt		
28	2				1139-1468-01	Ventil	IDS valve.....		
29	2				1139-1243-01	Fjäder.....	Spring		
30	2				1139-1307-01	Filter	Filter		
31	1				1139-1356-01	Cylinderblock kpl	Cylinder block assy		
32	1				1139-1245-01	Fjäder.....	Spring		
33	1				1139-1493-01	Pumpaxel.....	Pump shaft		
34	3				1139-1146-01	Låsring	Ring		
35	1				1139-1110-01	Kullager	Ball bearing		
36	1				1139-1458-01	Hus.....	Housing		
37	1				1139-1438-01	Lager	Bearing.....		
38	1				1139-1454-01	Cylinderblock.....	Cylinder block		
39	1				1139-1160-01	Bricka	Washer.....		
40	1				1139-1353-01	Motoraxel	Motor shaft		
41	1				1139-1021-01	Låsring	Snap ring		
42	1				1139-1272-01	Motordrev.....	Motor gear		
43	1				1139-1453-01	Lager	Bearing.....		
44	2				1139-1066-01	Tryckplatta	Metal thrust.....		
45	1				1139-1067-01	Stänklatta kpl	Swash plate assy		
46	1				1139-1508-01	Lager	Thrust bearing kit.....		
49	1				1139-1354-01	Regleraxel.....	Control shaft		
50	1				1139-1410-01	Excenter.....	Fulcrum.....		
51	1				1139-1312-01	Fjäder.....	Spring		
52	1				1139-1409-01	Reglerarm.....	Control arm		
53	1				1139-1325-01	Reglerarm.....	Control lever		
54	1				1139-1408-01	Ryckplatta.....	Jerky plate.....		
55	1				1139-1102-01	Bricka	Washer.....		
56	1				1139-1355-01	Saxpinne.....	Cotter pin		
57	1				1139-1329-01	Stift.....	Pin		
58	1				1139-1285-01	Stift.....	Pin		
60	1				1139-1127-01	Mutter.....	Nut		
61	1				1139-1404-01	Differentialdrev kpl	Differential gear kit.....		
62	1				1139-1258-01	Slutdrev	Final gear		
63	1				1139-1255-01	Hylsa	Collar		
64	1				1139-1256-01	Reduktionsaxel	Reduction shaft.....		
65	2				1139-1398-01	Bricka	Washer.....		
66	1				1139-1267-01	Reduktionsdrev	Reduction gear.....		
67	1				1139-1361-01	Slutdrev	Final pinion		
68	1				1139-1344-01	Hjulaxel- vä	Axle shaft- left.....		
69	1				1139-1345-01	Hjulaxel- hö	Axle shaft- right.....		
70	2				1139-1078-01	Tryckbricka	Thrust washer		



1- K574G Transmission

K574G Seal Kit

Kit Includes

#17	#91
#19	#92
#20	#94
#30	#99
#59	#103
#72	#104
#81	#105

All parts may not be used.

200-

K574G Repair Kit

Kit Includes

#24	#38
#31	

#200-Seal Kit

All parts may not be used.

201-

Utgåva Issue 2008- 11		Bildnr Picture No 2221		KANZAKI TRANSAXEL K574G		KANZAKI TRANSAXLE K574G		Sida Page 444	
Pos. Fig.	Antal/Quantity				Art nr Part No	Benämning	Description	Sats Kit	Anmärkning Notes
	574G								
	71	2			1139-1163-01	Låsring	Ring		
	72	2			1139-1080-01	Tätning	Seal		
	73	2			1139-1164-01	Bussning	Bushing		
	74	2			1139-1414-01	• Bussning	• Bushing		
	75	1			1139-1260-01	Bromssko	Brake shoe		
	76	1			1139-1261-01	Bromsarm	Brake arm		
	77	1			1139-1320-01	Bromsaxel	Brake shaft		
	78	1			1139-1411-01	Returfjäder	Return spring		
	79	1			1139-1264-01	Bromstryckare	Brake actuator		
	80	1			1139-1282-01	Stift	Pin		
	82	2			1139-1281-01	Stift	Pin		
	83	2			1139-1248-01	Krage	Spline collar		
	84	1			1139-1469-01	Remskiva	Pulley		
	85	1			1134-4190-01	Fläkt	Fan		
	86	1			1139-1266-01	Låsbricka	Lock washer		
	87	1			1139-1149-01	Låsring	Snap ring		
	88	1			1139-1276-01	Bricka	Collar		
	89	4			1139-1166-01	Tapp	Pin		
	90	1			1139-1280-01	Stift	Pin		
	91	1			1139-1303-01	Tätningssats	Oil seal		
	92	1			1139-1290-01	• Packning	• Packing		
X	93	1			1139-1510-01	Lock	Cap kit		Pos 92 incl.
	94	1			1139-1488-01	Filter	Filter		
	95	1			1139-1279-01	Stift	Pin		
	96	1			1139-1495-01	Sprint	Pin		
	97	1			1139-1492-01	Fjäder	Charge spring		
	98	1			1139-1496-01	Pinne	Parallell pin		
	99	1			1139-1443-01	Tätningssats	Sealant		
	100	1			1139-1494-01	Pumphus	Pump case kit		
	101	1			1139-1490-01	Rotor- yttre	Rotor- outer		
	102	1			1139-1489-01	Rotor- inre	Rotor- inner		
	104	1			1139-1013-01	O- ring	O- ring		
	105	2			1139-0239-01	Packning	Packing		
	107	1			1139-1459-01	Nippel	Piping		
	108	1			1139-1460-01	Nippel	Piping		
X	110	1			1139-1505-01	Hydraulportblock	Hydraulic port block		
	111	1			1139-1472-01	Bult	Bolt		
	112	1			1139-1455-01	Skruv	Tapping screw		
	113	1			1139-1471-01	Bult	Bolt		
X	200	1			1139-1506-01	Tätningssats	Seal kit		
X	201	1			1139-1507-01	Rep.sats	Repair kit		