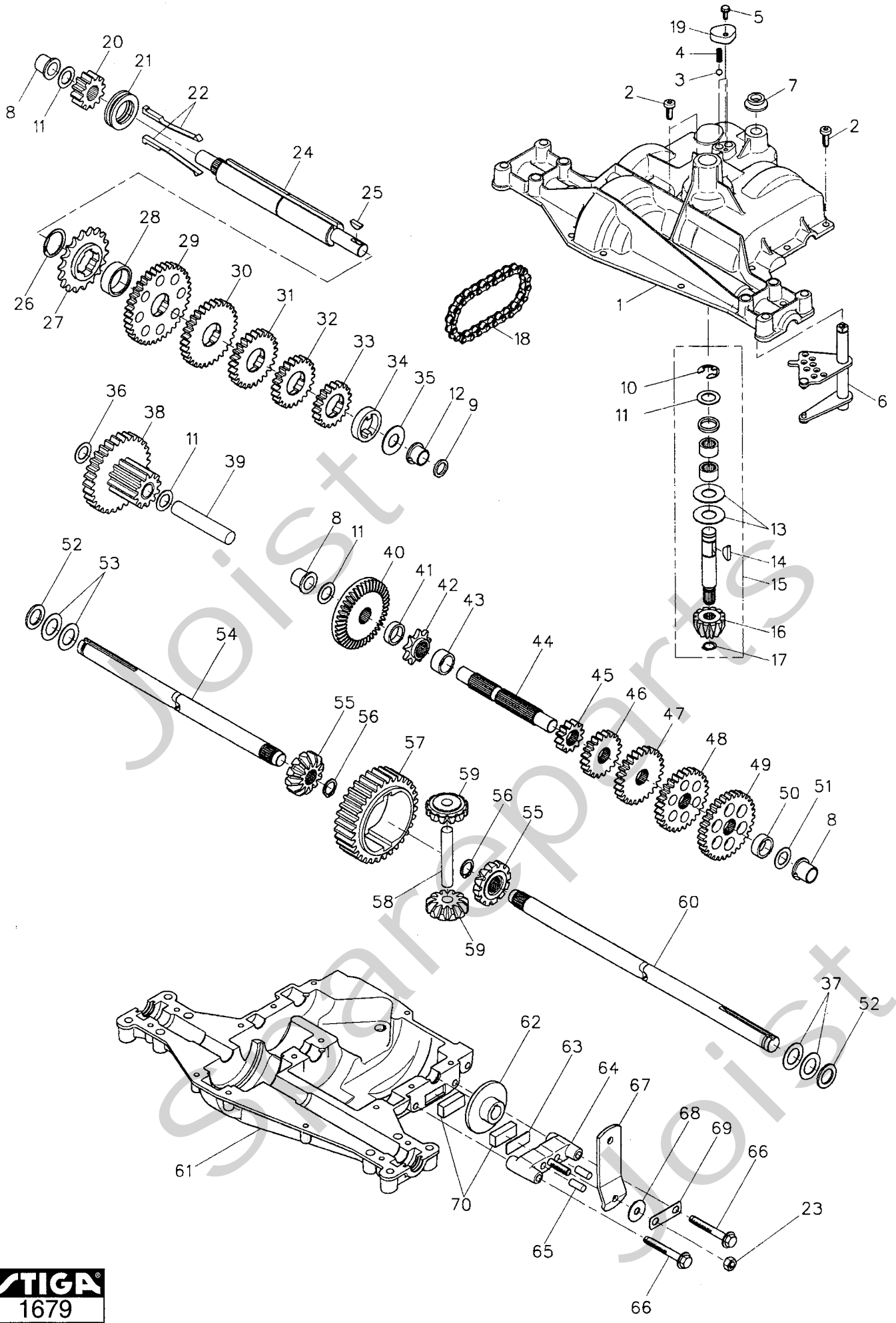


# Genuine Spare Parts

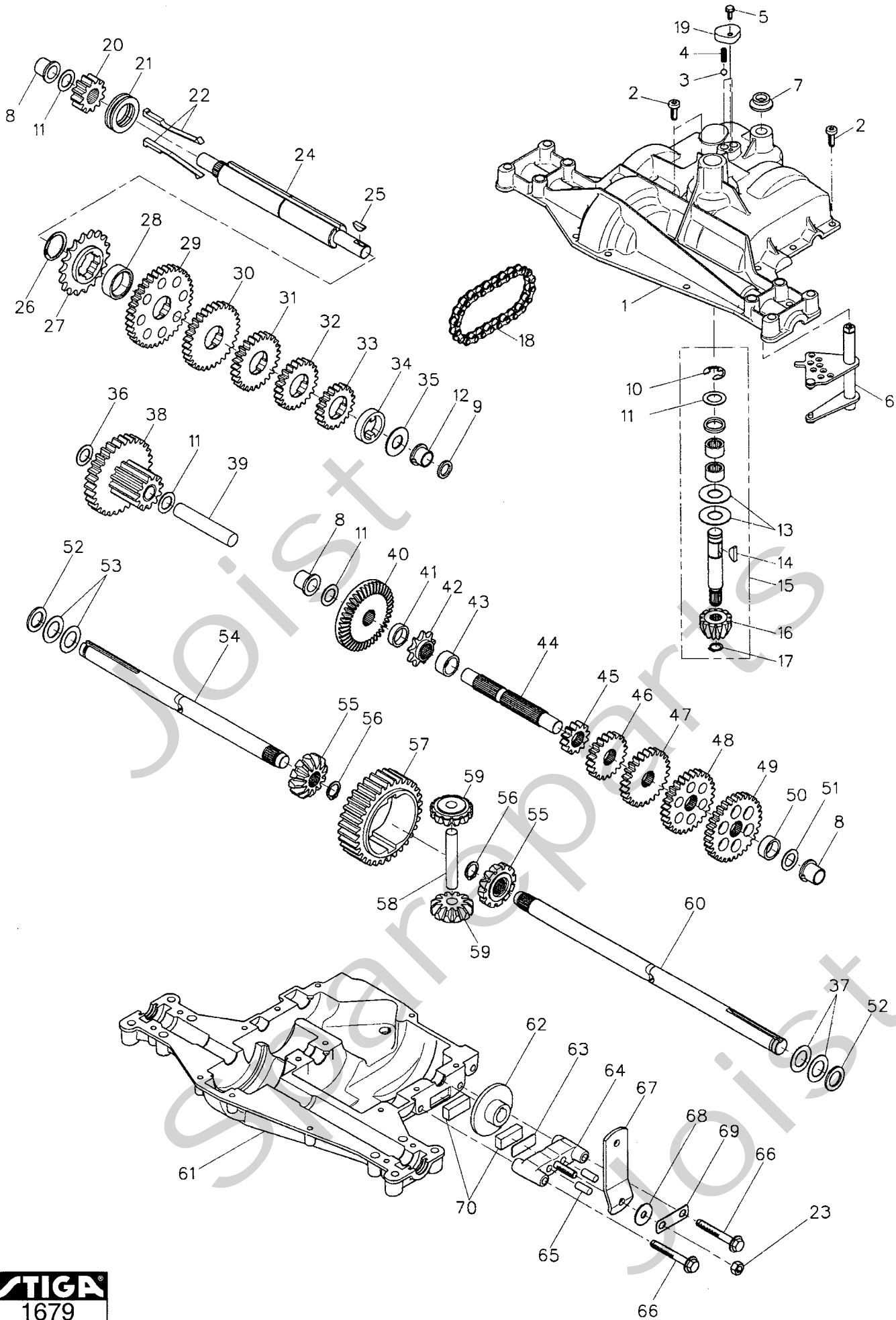
---



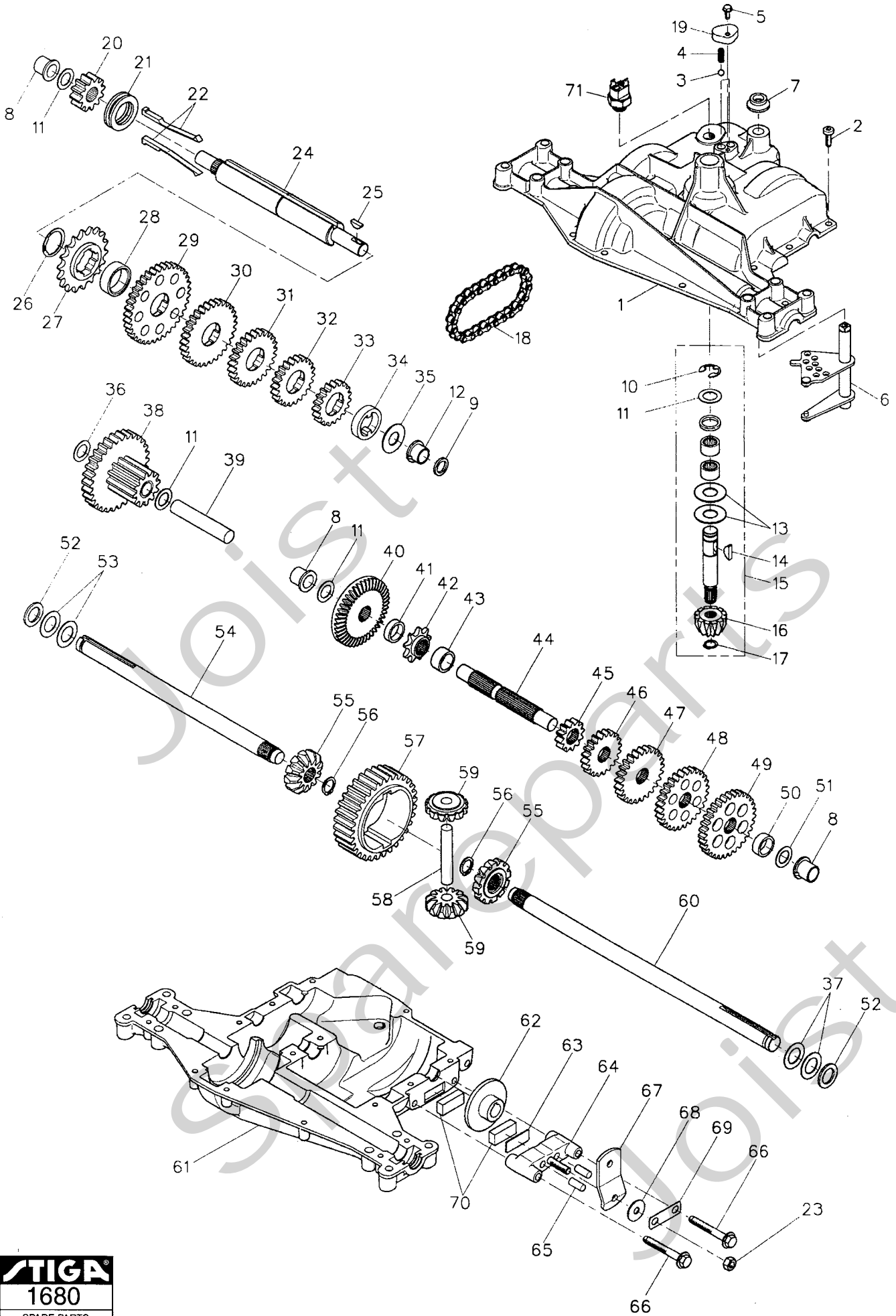
Joist  
Spareparts  
Joist



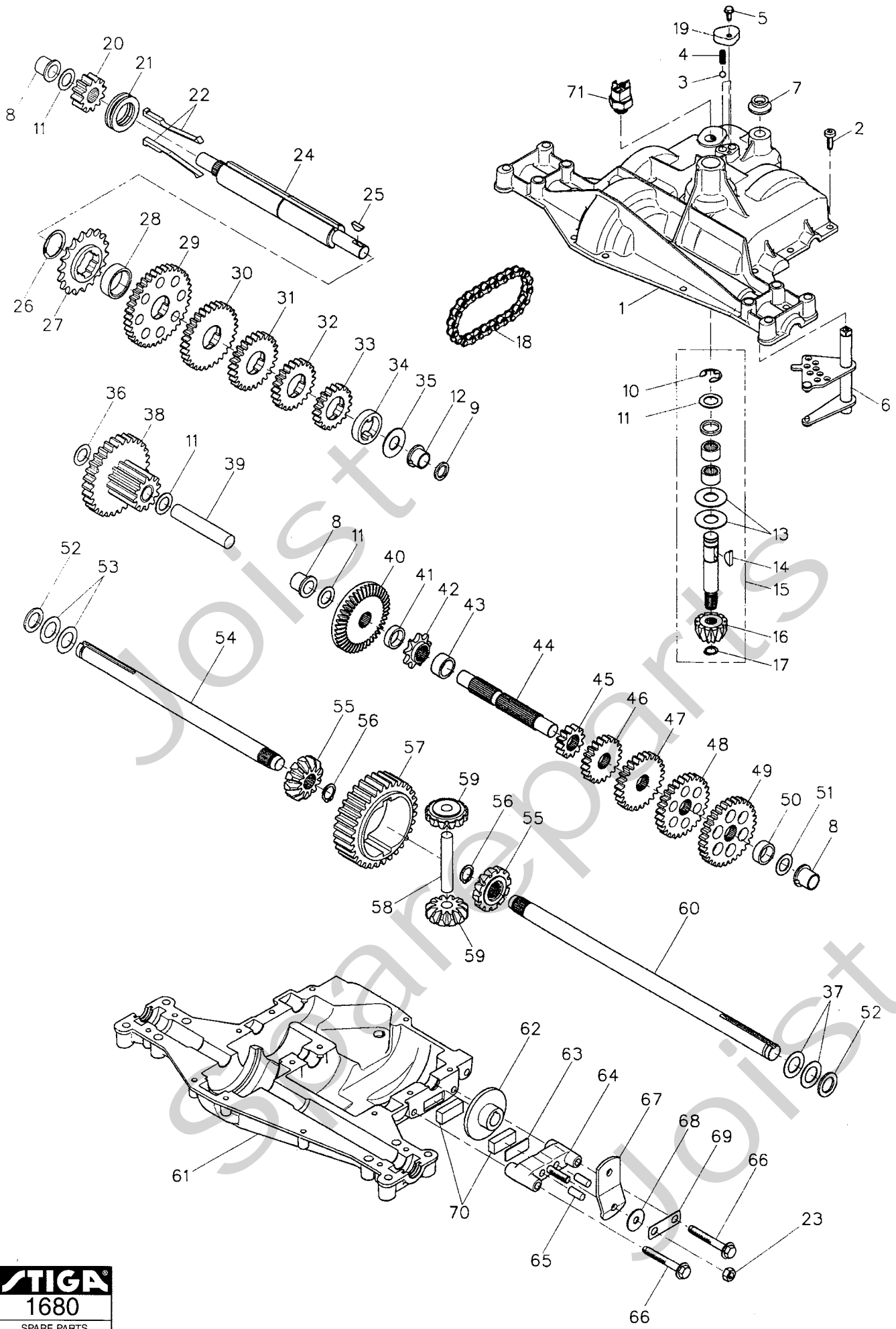
Utgåva Issue		Bildnr Picture No		DANA TRANSAXEL 4360-197		DANA TRANSAXLE 4360-197		Sida Page 372	
Pos. Fig.	Antal/Quantity			Art nr Part No	Benämning	Description	Sats Kit	Anmärkning Notes	
	4360 -197								
0	1			1134-5281-01	Transaxel kpl.....	Transaxle assy.....			
1	1			F000-7033-00	Hus- övre .....	Housing- upper .....			
2	16			F000-1919-00	Skruv .....	Screw .....			
3	2			F000-5947-00	Kula .....	Ball .....			
4	2			F000-5948-00	Fjäder .....	Spring .....			
5	1			F084-0052-00	Skruv .....	Screw .....			
6	1			F000-6517-00	Växelförare .....	Shifter kit .....			
7	1			F000-7010-00	Hylsa .....	V- ring .....			
8	3			F000-5510-00	Flänslager .....	Flange bearing .....			
9	1			F000-5508-00	Tätningarring .....	Oil seal .....			
10	1			F000-1106-00	Låsring .....	Retaining ring .....			
11	4			F000-4689-00	Sats- shims .....	Kit- shim .....			
12	1			F000-5511-00	Flänslager .....	Flange bearing .....			
13	2			F000-3876-00	Bricka .....	Washer .....			
14	1			F000-1746-00	Kil .....	Key .....			
15	1			F000-6205-00	Ingående axel kpl.....	Input shaft assy .....			
16	1			F000-5620-00	Drev .....	Bevel pinion .....	12T		
17	1			F000-3624-00	Låsring .....	Retaining ring .....			
18	1			F000-3625-00	Kedja .....	Chain .....	24 link		
19	1			F000-5950-00	Lock .....	Cover .....			
20	1			F000-5627-00	Drev .....	Gear .....	12T		
21	1			F000-5303-00	Hylsa .....	Shifter boot .....			
22	1			F000-4758-00	Sats- kllar .....	Kit- clutch keys .....			
23	1			F000-3847-00	Låsmutter .....	Lock nut .....			
24	1			F000-5737-00	Mellanaxel .....	Intermediate shaft .....			
25	1			F000-1375-00	Woodruffkil .....	Woodruff key .....			
26	1			F000-3627-00	Låsring .....	Retaining ring .....			
27	1			F000-3830-00	Kedjehjul .....	Sprocket .....	18T		
28	1			F000-3841-00	Distans .....	Spacer .....			
29	1			F000-5365-00	Drev .....	Gear, spur .....	37T		
30	1			F000-3867-00	Drev .....	Gear, spur .....	30T		
31	1			F000-3783-00	Drev .....	Gear, spur .....	25T		
32	1			F000-3869-00	Drev .....	Gear, spur .....	22T		
33	1			F000-5202-00	Drev .....	Gear, spur .....	19T		
34	1			F000-5027-00	Distans .....	Spacer .....			
35	1			F000-3628-00	Bricka .....	Washer .....			
36	1			F000-1425-00	Bricka .....	Washer .....			
37	1			F000-4691-00	Sats- shims .....	Kit- shim .....			
38	1			F000-6358-00	Drev .....	Gear comb. ....	12T+30T		
39	1			F000-3967-00	Axel .....	Idler shaft .....			
40	1			F000-7003-00	Drev .....	Bevel gear .....	36T		
41	1			F000-3630-00	Distans .....	Spacer .....			
42	1			F000-3645-00	Kedjehjul .....	Sprocket .....	9T		
43	1			F000-5016-00	Distans .....	Spacer .....			
44	1			F000-5015-00	Axel .....	Drive shaft .....			
45	1			F000-5364-00	Drev .....	Gear, spur .....	12T		
46	1			F000-3866-00	Drev .....	Gear, spur .....	20T		
47	1			F000-3719-00	Drev .....	Gear, spur .....	25T		
48	1			F000-3868-00	Drev .....	Gear, spur .....	28T		
49	1			F000-3683-00	Drev .....	Gear, spur .....	31T		
50	1			F000-3714-00	Distans .....	Spacer .....			
51	1			F000-1145-00	Bricka .....	Washer .....			
52	2			F000-5130-00	Tätning .....	Seal .....			
53	2			F000-3184-00	Bricka .....	Washer .....			
54	1			F000-7031-10	Hjulaxel- vä .....	Wheel axle- LH .....			
55	2			F000-5622-00	Drev .....	Miter gear .....	12T		
56	2			F000-5270-00	Låsring .....	Retaining ring .....			
57	1			F000-3839-00	Drev .....	Gear, spur .....	32T		
58	1			F000-3919-00	Axel .....	Cross shaft .....			
59	2			F000-5623-00	Drev .....	Miter gear .....	12T		
60	1			F000-7031-20	Hjulaxel- hö .....	Wheel axle- RH .....			
61	1			F000-5304-MQ	Hus- nedre .....	Housing- lower .....			
62	1			F000-5960-00	Bromsskiva .....	Brake disc .....			



Utgåva Issue		Bildnr Picture No		DANA TRANSAXEL 4360-197		DANA TRANSAXLE 4360-197		Sida Page 374	
Pos. Fig.	Antal/Quantity			Art nr Part No	Benämning	Description	Sats Kit	Anmärkning Notes	
	4360 -197								
63	1			F000-3758-00	Distans .....	Spacer .....		Ej ill/not ill.	
64	1			F000-5554-00	Bromshållare .....	Brake jaw .....			
65	2			F000-3843-00	Pinne .....	Dowel pin .....			
66	2			F000-5562-00	Skruv .....	Screw .....			
67	1			F000-7032-00	Bromsarm .....	Actuating lever .....			
68	1			F000-3760-00	Bricka .....	Washer .....			
69	1			F000-5555-00	Bricka .....	Bracket .....			
70	2			F000-3907-00	Friktionsbelägg .....	Friction puck .....			
98				F000-4300-00	Smörjfett .....	Grease .....			

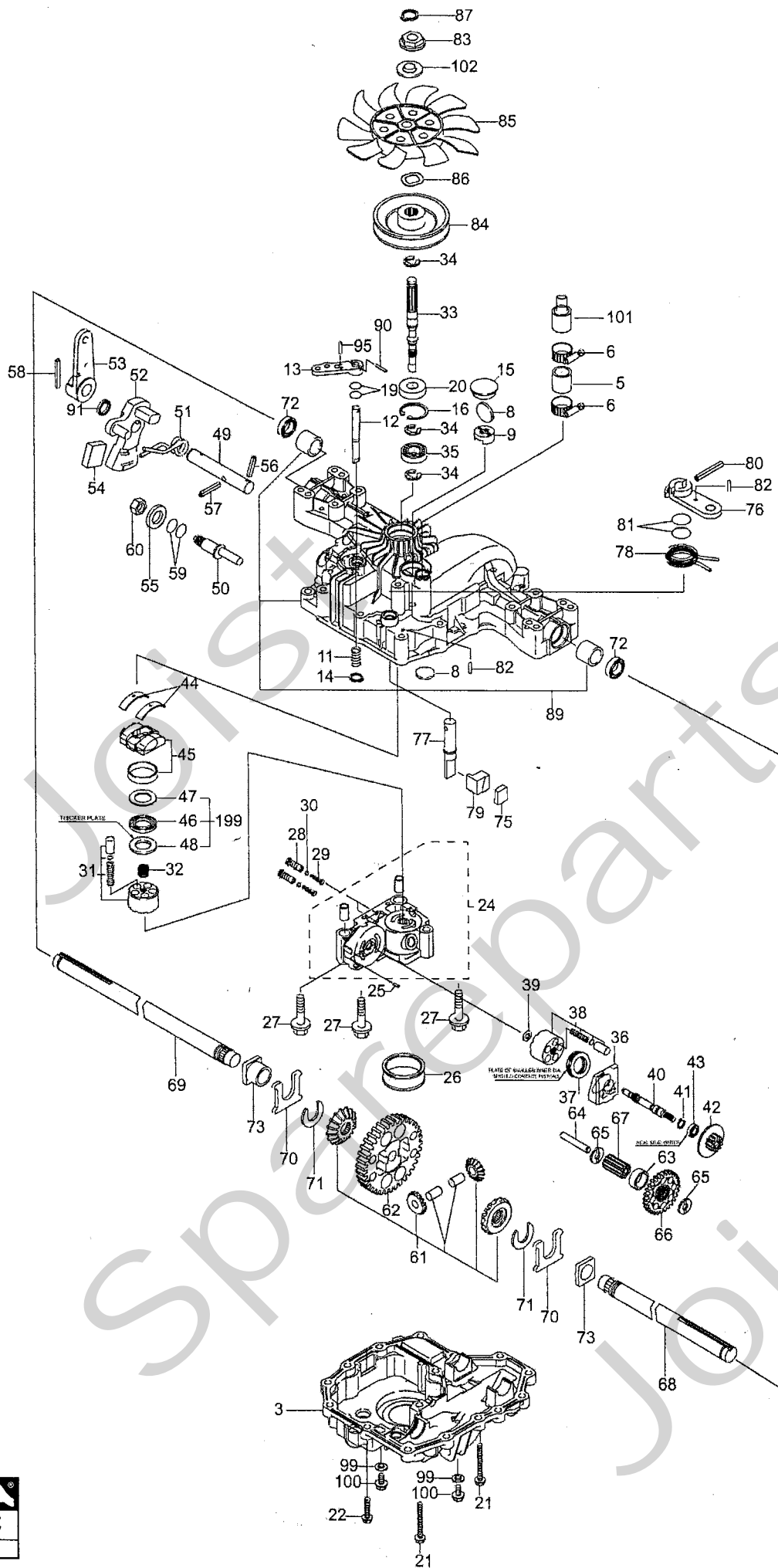


Utgåva Issue		Bildnr Picture No		DANA TRANSAXEL 4360-198		DANA TRANSAXLE 4360-198		Sida Page	
2005-11		1680						376	
Pos. Fig.	Antal/Quantity			Art nr Part No	Benämning	Description	Sats Kit	Anmärkning Notes	
	4360 -198								
0	1			1134-5282-01	Transaxel kpl.....	Transaxle assy.....			
1	1			F000-5962-R0	Hus- övre.....	Housing- upper.....			
2	16			F000-1919-00	Skruv.....	Screw.....			
3	2			F000-5947-00	Kula.....	Ball.....			
4	2			F000-5948-00	Fjäder.....	Spring.....			
5	1			F084-0052-00	Skruv.....	Screw.....			
6	1			F000-6517-00	Växelförare.....	Shifter kit.....			
7	1			F000-7010-00	Hylsa.....	V- ring.....			
8	3			F000-5510-00	Flänslager.....	Flange bearing.....			
9	1			F000-5508-00	Tätningring.....	Oil seal.....			
10	1			F000-1106-00	Låsring.....	Retaining ring.....			
11	4			F000-4689-00	Sats- shims.....	Kit- shim.....			
12	1			F000-5511-00	Flänslager.....	Flange bearing.....			
13	2			F000-3876-00	Bricka.....	Washer.....			
14	1			F000-1746-00	Kil.....	Key.....			
15	1			F000-6205-00	Ingående axel kpl.....	Input shaft assy.....			
16	1			F000-5620-00	Drev.....	Bevel pinion.....		12T	
17	1			F000-3624-00	Låsring.....	Retaining ring.....			
18	1			F000-3625-00	Kedja.....	Chain.....		24 link	
19	1			F000-5950-00	Lock.....	Cover.....			
20	1			F000-5627-00	Drev.....	Gear.....		12T	
21	1			F000-5303-00	Hylsa.....	Shifter boot.....			
22	1			F000-4758-00	Sats- kilar.....	Kit- clutch keys.....			
23	1			F000-3847-00	Låsmutter.....	Lock nut.....			
24	1			F000-5737-00	Mellanaxel.....	Intermediate shaft.....			
25	1			F000-1375-00	Woodruffkil.....	Woodruff key.....			
26	1			F000-3627-00	Låsring.....	Retaining ring.....			
27	1			F000-3830-00	Kedjehjul.....	Sprocket.....			
28	1			F000-3841-00	Distans.....	Spacer.....			
29	1			F000-5365-00	Drev.....	Gear, spur.....		37T	
30	1			F000-3867-00	Drev.....	Gear, spur.....		30T	
31	1			F000-3783-00	Drev.....	Gear, spur.....		25T	
32	1			F000-3869-00	Drev.....	Gear, spur.....		22T	
33	1			F000-5202-00	Drev.....	Gear, spur.....		19T	
34	1			F000-5027-00	Distans.....	Spacer.....			
35	1			F000-3628-00	Bricka.....	Washer.....			
36	1			F000-1425-00	Bricka.....	Washer.....			
37	1			F000-4691-00	Sats- shims.....	Kit- shim.....			
38	1			F000-6358-00	Drev.....	Gear comb.....		12T+30T	
39	1			F000-3967-00	Axel.....	Idler shaft.....			
40	1			F000-7003-00	Drev.....	Bevel gear.....		36T	
41	1			F000-3630-00	Distans.....	Spacer.....			
42	1			F000-3645-00	Kedjehjul.....	Sprocket.....		9T	
43	1			F000-5016-00	Distans.....	Spacer.....			
44	1			F000-5015-00	Axel.....	Drive shaft.....			
45	1			F000-5364-00	Drev.....	Gear, spur.....		12T	
46	1			F000-3866-00	Drev.....	Gear, spur.....		20T	
47	1			F000-3719-00	Drev.....	Gear, spur.....		25T	
48	1			F000-3868-00	Drev.....	Gear, spur.....		28T	
49	1			F000-3683-00	Drev.....	Gear, spur.....		31T	
50	1			F000-3714-00	Distans.....	Spacer.....			
51	1			F000-1145-00	Bricka.....	Washer.....			
52	2			F000-5130-00	Tätning.....	Seal.....			
53	2			F000-3184-00	Bricka.....	Washer.....			
54	1			F000-7030-10	Hjulaxel- vä.....	Wheel axle- LH.....			
55	2			F000-5622-00	Drev.....	Miter gear.....		12T	
56	2			F000-5270-00	Låsring.....	Retaining ring.....			
57	1			F000-3839-00	Drev.....	Gear, spur.....		32T	
58	1			F000-3919-00	Axel.....	Cross shaft.....			
59	2			F000-5623-00	Drev.....	Miter gear.....		12T	
60	1			F000-7030-20	Hjulaxel- hö.....	Wheel axle- RH.....			
61	1			F000-5304-M0	Hus- nedre.....	Housing- lower.....			
62	1			F000-5960-00	Bromsskiva.....	Brake disc.....			

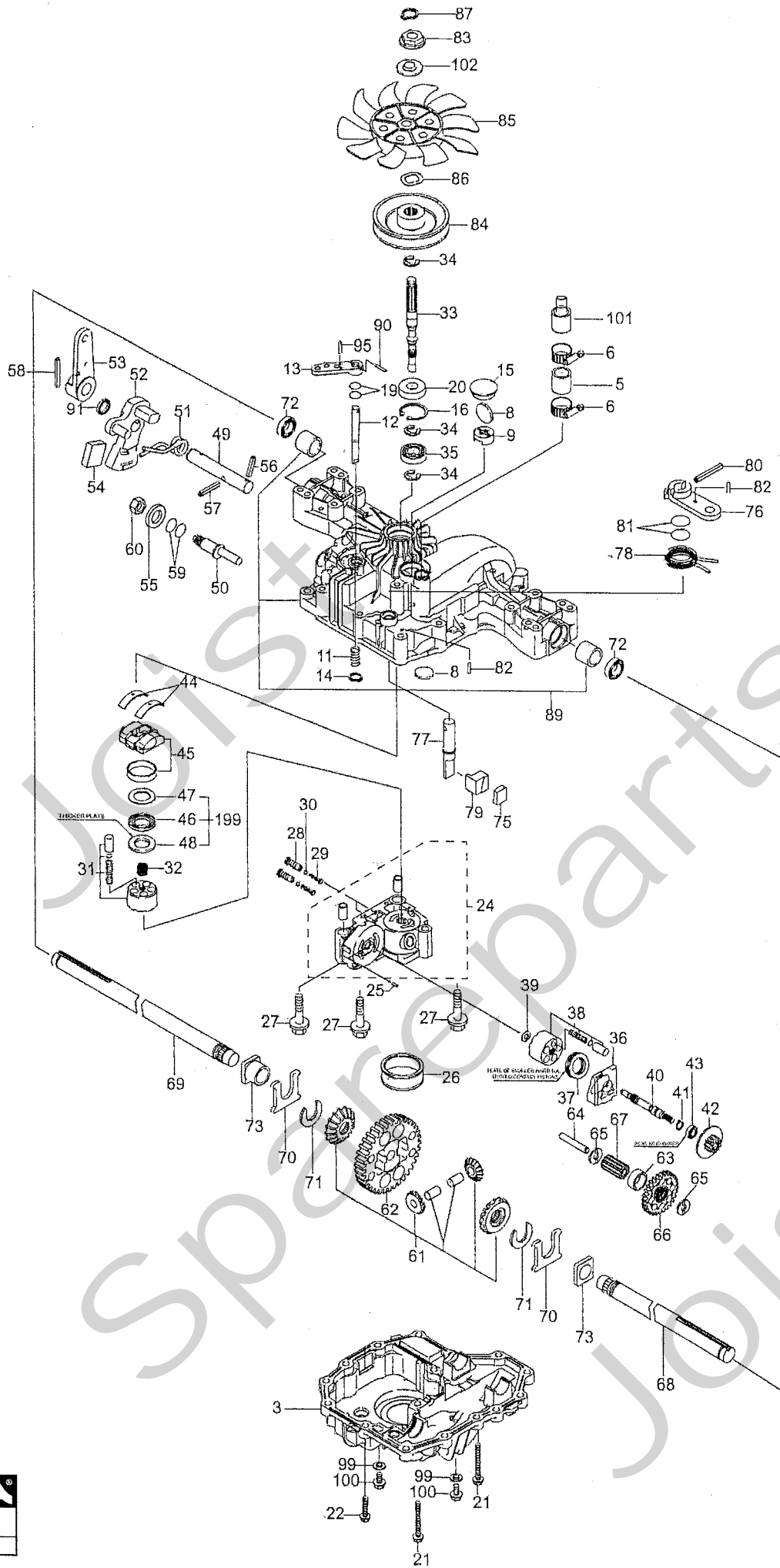




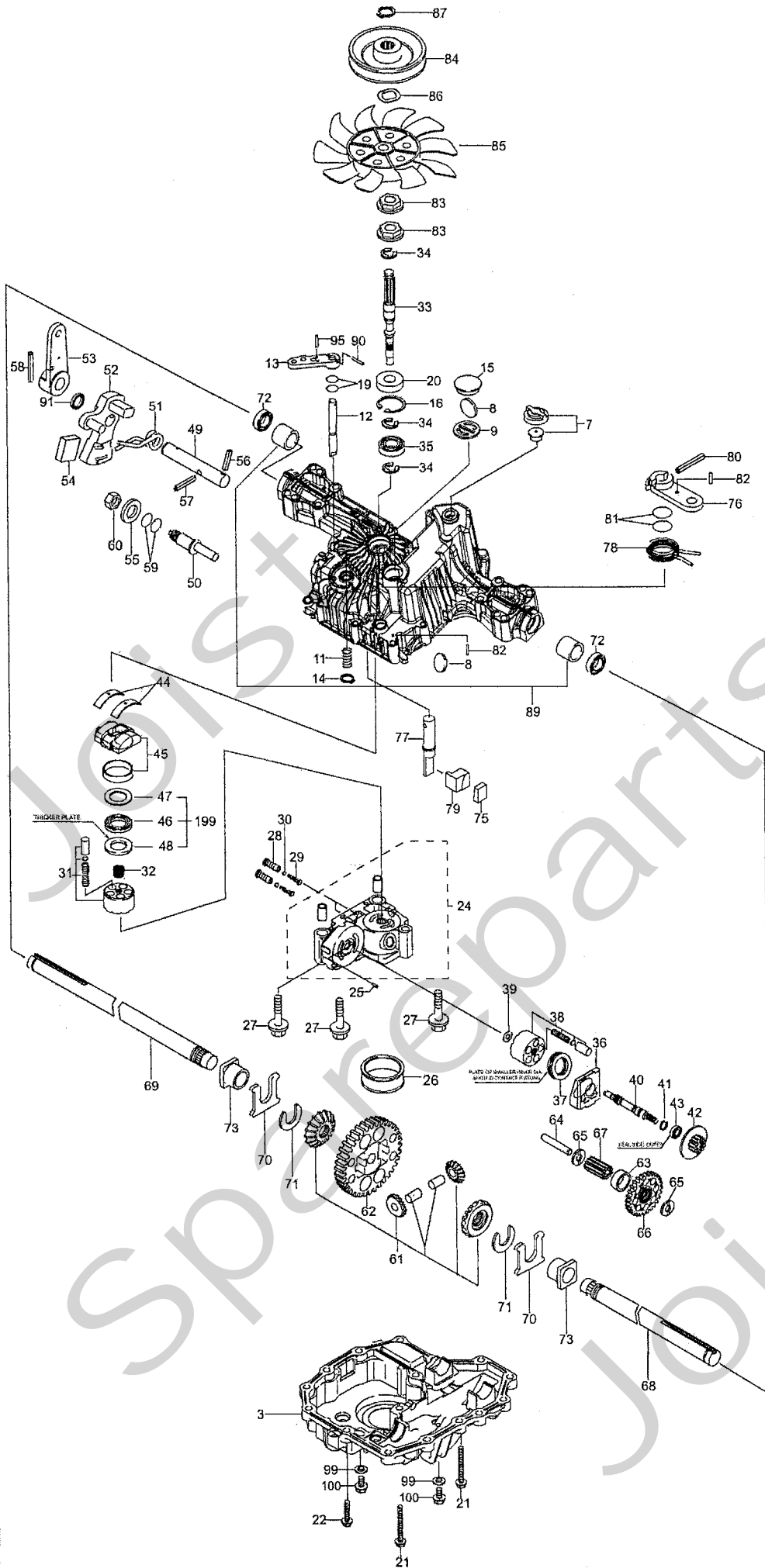
Utgåva Issue		Bildnr Picture No		DANA TRANSAXEL 4360-198		DANA TRANSAXLE 4360-198		Sida Page					
Pos. Fig.		Antal/Quantity		Art nr Part No		Benämning		Description		Sats Kit		Anmärkning Notes	
		4360 -198											
63	1			F000-3758-00	Distans .....	Spacer .....							
64	1			F000-5554-00	Bromshållare .....	Brake jaw .....							
65	2			F000-3843-00	Pinne .....	Dowel pin .....							
66	2			F000-5562-00	Skruv .....	Screw .....							
67	1			F000-7029-00	Bromsarm .....	Actuating lever .....							
68	1			F000-3760-00	Bricka .....	Washer .....							
69	1			F000-5555-00	Bricka .....	Bracket .....							
70	2			F000-3907-00	Friktionsbelägg .....	Friction puck .....							
71	1			F000-7034-00	Brytare .....	Switch .....							
98				F000-4300-00	Smörjfett .....	Grease .....						Ej ill/not ill.	



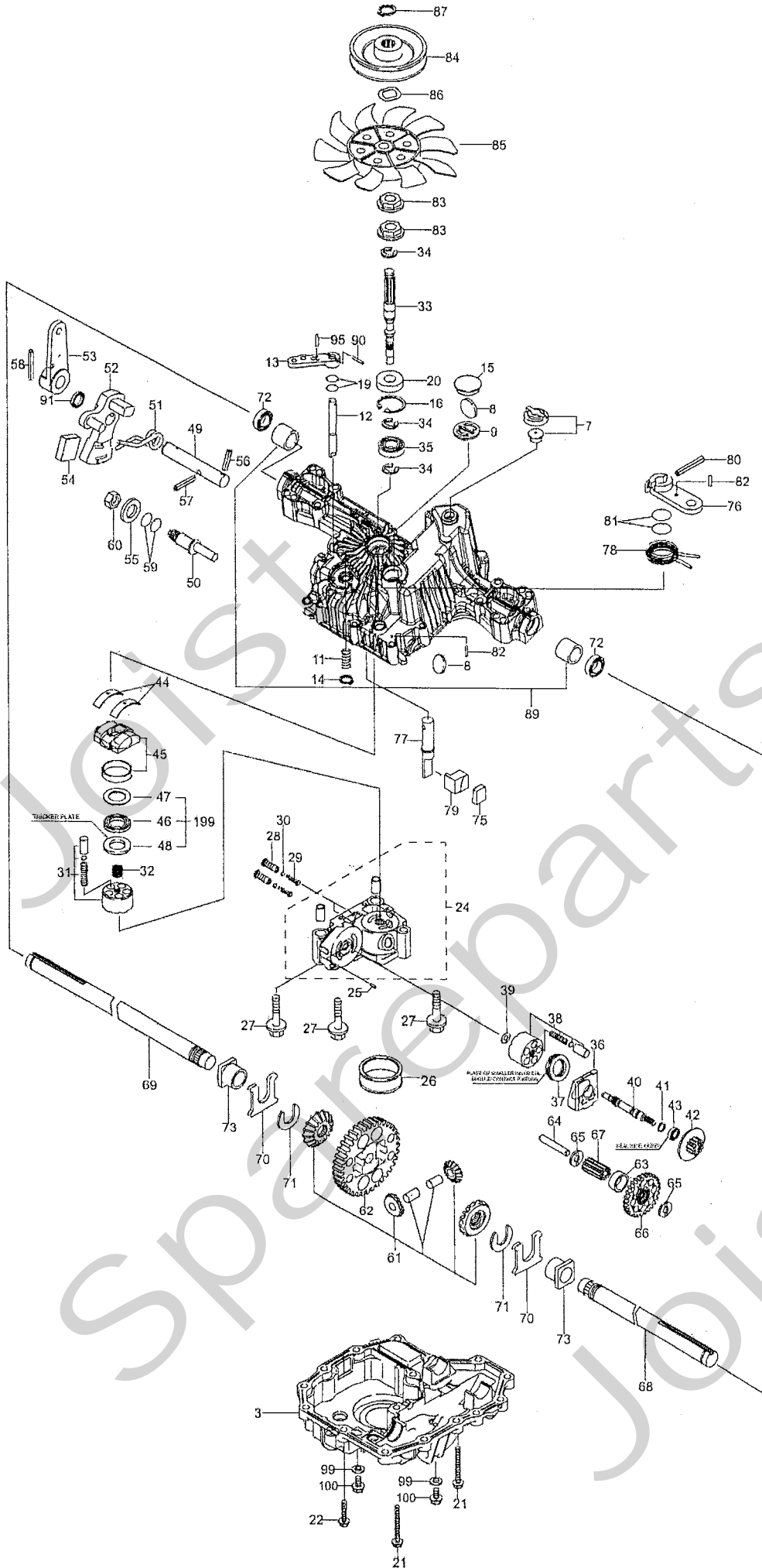
Utgåva Issue		Bildnr Picture No		KANZAKI TRANSAXEL K46G		KANZAKI TRANSAXLE K46G		Sida Page	
2005-11		1390C						380	
Pos. Fig.	Antal/Quantity			Art nr Part No	Benämning	Description	Sats Kit	Anmärkning Notes	
	K46G								
X 3	1			1139-1402-01	Hus- nedre .....	Case- lower .....			
5	1			1139-1301-01	Rör .....	Tube .....			
6	2			1139-1336-01	Slangklämma .....	Hose clamp .....			
8	2			1139-1150-01	Magnet .....	Magnet .....	S		
9	1			1139-1240-01	Hållare- magnet .....	Holder- magnet .....			
11	1			1139-1028-01	Fjäder .....	Spring .....		s/n -015563	
11	1			1139-1347-01	Fjäder .....	Spring .....		s/n 015564-	
12	1			1139-1251-01	Axel- bypass .....	Shaft- bypass .....			
13	1			1139-1189-01	Arm- bypass .....	Lever- bypass .....			
14	1			1139-1161-01	Låsring .....	Ring .....			
15	1			1139-1275-01	Plugg .....	Bore plug .....			
16	1			1139-1104-01	Låsring .....	Snap ring .....			
19	2			1139-1117-01	O- ring .....	O- ring .....	S		
20	1			1139-1119-01	Tätning .....	Seal .....	S		
21	2			1139-1295-01	Skruv .....	Tapping screw .....			
22	14			1139-0244-01	Skruv .....	Tapping screw .....			
24	1			1139-1273-01	Centrumhus kpl .....	Center case assy .....		s/n 010804-015418	
24	1			1139-1340-01	Centrumhus kpl .....	Center case assy .....		s/n 015419-	
25	1			1139-1158-01	Stift .....	Pin .....			
26	1			1139-1063-01	Filter .....	Filter .....	S	s/n -018458	
26	1			1139-1334-01	Filter .....	Filter .....	S	s/n 018459-	
27	3			1139-1294-01	Bult .....	Bolt .....			
28	2			1139-1339-01	Ventil .....	Valve .....			
29	2			1139-1243-01	Fjäder .....	Spring .....		s/n -009999	
29	2			1139-1338-01	Fjäder .....	Spring .....		s/n 010000-	
30	2			1139-1346-01	Kula .....	Ball .....			
31	1			1139-1159-01	Cylinderblock kpl .....	Cylinder block assy .....		s/n -015563	
31	1			1139-1356-01	Cylinderblock kpl .....	Cylinder block assy .....		s/n 015564-	
32	1			1139-1245-01	Fjäder .....	Spring .....			
33	1			1139-1246-01	Pumpaxel .....	Pump shaft .....			
34	3			1139-1146-01	Låsring .....	Ring .....			
35	1			1139-1110-01	Kullager .....	Ball bearing .....			
36	1			1139-1157-01	Hus .....	Housing .....			
37	1			1139-1054-01	Lager .....	Bearing .....			
38	1			1139-1139-01	Cylinderblock kpl .....	Cylinder block assy .....			
39	1			1139-1160-01	Bricka .....	Washer .....			
40	1			1139-1247-01	Motoraxel .....	Motor shaft .....		s/n 010804-015563	
40	1			1139-1353-01	Motoraxel .....	Motor shaft .....		s/n 015564-	
41	1			1139-1021-01	Låsring .....	Snap ring .....			
42	1			1139-1272-01	Motordrev .....	Motor gear .....			
43	1			1139-1286-01	Kullager .....	Ball bearing .....			
44	2			1139-1296-01	Tryckplatta .....	Metal thrust .....			
45	1			1139-1067-01	Stänkplatta kpl .....	Swash plate assy .....		s/n -022544	
45	1			1139-1359-01	Stänkplatta kpl .....	Swash plate assy .....		s/n 022545-	
49	1			1139-1315-01	Regleraxel .....	Control shaft .....		s/n 010804-012410	
49	1			1139-1354-01	Regleraxel .....	Control shaft .....		s/n 012411-	
50	1			1139-1316-01	Vridcentrum .....	Fulcrum .....			
51	1			1139-1312-01	Fjäder .....	Spring .....			
52	1			1139-1314-01	Reglerarm .....	Control arm .....			
53	1			1139-1325-01	Reglerarm .....	Control lever .....			
54	1			1139-1250-01	Ryckplatta .....	Jerky plate .....			
55	1			1139-1102-01	Bricka .....	Washer .....			
56	1			1139-1327-01	Stift .....	Pin .....		s/n 010804-012410	
56	1			1139-1355-01	Saxpinne .....	Cotter pin .....		s/n 012411-	
57	1			1139-1329-01	Stift .....	Pin .....			
58	1			1139-1285-01	Stift .....	Pin .....			
59	2			1139-1115-01	O- ring .....	O- ring .....	S		
60	1			1139-1127-01	Mutter .....	Nut .....			
61	1			1139-1162-01	Differentialdrev kpl .....	Differential gear kit .....		s/n -015563	
61	1			1139-1360-01	Differentialdrev kpl .....	Differential gear kit .....		s/n 015564-	
62	1			1139-1258-01	Slutdrev .....	Final gear .....			
63	1			1139-1255-01	Hylsa .....	Collar .....			
64	1			1139-1256-01	Reduktionsaxel .....	Reduction shaft .....			



Utgåva Issue		Bildnr Picture No		KANZAKI TRANSAXEL K46G		KANZAKI TRANSAXLE K46G		Sida Page	
2005-11		1390C						382	
Pos. Fig.	Antal/Quantity			Art nr Part No	Benämning	Description	Sats Kit	Anmärkning Notes	
	K46G								
X 65	2			1139-1257-01	Bricka .....	Washer .....		s/n - 0022544	
65	2			1139-1398-01	Bricka .....	Washer .....		s/n 0022545-	
66	1			1139-1267-01	Reduktionsdrev .....	Reduction gear .....			
67	1			1139-1259-01	Slutdrev .....	Final pinion .....		s/n - 020523	
67	1			1139-1361-01	Slutdrev .....	Final pinion .....		s/n 020524-	
68	1			1139-1269-01	Hjulaxel- vä .....	Axle shaft- left .....		s/n 010804- 014194	
68	1			1139-1344-01	Hjulaxel- vä .....	Axle shaft- left .....		s/n 014195-	
69	1			1139-1270-01	Hjulaxel- hö .....	Axle shaft- right .....		s/n 010804- 014194	
69	1			1139-1345-01	Hjulaxel- hö .....	Axle shaft- right .....		s/n 014195-	
70	2			1139-1078-01	Tryckbricka .....	Thrust washer .....			
71	2			1139-1163-01	Låsring .....	Ring .....			
72	2			1139-1080-01	Tätning .....	Seal .....	S		
73	2			1139-1164-01	Bussning .....	Bushing .....			
75	1			1139-1260-01	Bromssko .....	Brake shoe .....			
76	1			1139-1261-01	Bromsarm .....	Brake arm .....			
77	1			1139-1320-01	Bromsaxel .....	Brake shaft .....			
78	1			1139-1263-01	Returfjäder .....	Return spring .....			
79	1			1139-1264-01	Bromstryckare .....	Brake actuator .....			
80	1			1139-1282-01	Stift .....	Pin .....			
81	2			1139-1114-01	O- ring .....	O- ring .....	S		
82	2			1139-1281-01	Stift .....	Pin .....			
83	1			1139-1248-01	Krage .....	Spline collar .....			
84	1			1139-1249-01	Remskiva .....	Pulley .....			
85	1			1134-4190-01	Fläkt .....	Fan .....			
86	1			1139-1266-01	Låsbricka .....	Lock washer .....			
87	1			1139-1149-01	Låsring .....	Snap ring .....			
89	1			1139-1302-01	Övre hus kpl .....	Upper housing assy .....		s/n - 018458	
89	1			1139-1358-01	Övre hus kpl .....	Upper housing assy .....		s/n 018459-	
90	1			1139-1280-01	Stift .....	Pin .....			
91	1			1139-1303-01	Tätningsring .....	Oil seal .....	S		
95	1			1139-1279-01	Stift .....	Pin .....			
99	2			1139-1103-01	Tätningbricka .....	Seal washer .....	S		
100	2			1139-1123-01	Bult .....	Bolt .....			
101	1			1139-1306-01	Adapter .....	Adapter .....			
102	1			1139-1276-01	Bricka .....	Collar .....			
199	1			1139-1362-01	Lager .....	Bearing .....		Inkl. pos 46 - 48	
X 200	1			1139-1403-01	Packningssats .....	Seal kit .....		Märkta S/ marked S	



Utgåva Issue		Bildnr Picture No		KANZAKI TRANSAXEL K46AG		KANZAKI TRANSAXLE K46AG		Sida Page	
2005-11		1391B						384	
Pos. Fig.	Antal/Quantity			Art nr Part No	Benämning	Description	Sats Kit	Anmärkning Notes	
	K46 AG								
X	3	1		1139-1402-01	Hus- nedre .....	Case- lower .....			
	7	1		1139-1100-01	Ventil kpl.....	Vent valve assy .....			
	8	2		1139-1150-01	Magnet .....	Magnet.....	S		
	9	1		1139-1341-01	Hållare- magnet .....	Holder- magnet .....			
	11	1		1139-1347-01	Fjäder.....	Spring .....			
	12	1		1139-1324-01	Axel- bypass .....	Shaft- bypass .....			
	13	1		1139-1189-01	Arm- bypass .....	Lever- bypass .....			
	14	1		1139-1161-01	Låsring .....	Ring .....			
	15	1		1139-1275-01	Plugg .....	Bore plug .....			
	16	1		1139-1104-01	Låsring .....	Snap ring .....			
	19	2		1139-1117-01	O- ring .....	O- ring .....	S		
	20	1		1139-1119-01	Tätning .....	Seal .....	S		
	21	2		1139-1295-01	Skruv .....	Tapping screw .....			
	22	14		1139-0244-01	Skruv .....	Tapping screw .....			
	24	1		1139-1340-01	Centrumhus kpl.....	Center case assy .....			
	25	1		1139-1158-01	Stift.....	Pin .....			
	26	1		1139-1334-01	Filter .....	Filter .....	S		
	27	3		1139-1294-01	Bult .....	Bolt .....			
	28	2		1139-1339-01	Ventil .....	Valve .....			
	29	2		1139-1338-01	Fjäder.....	Spring .....			
	30	2		1139-1346-01	Kula .....	Ball.....			
	31	1		1139-1356-01	Cylinderblock kpl .....	Cylinder block assy .....			
	32	1		1139-1245-01	Fjäder.....	Spring .....			
	33	1		1139-1246-01	Pumpaxel.....	Pump shaft .....			
	34	3		1139-1146-01	Låsring .....	Ring .....			
	35	1		1139-1110-01	Kullager .....	Ball bearing .....			
	36	1		1139-1157-01	Hus .....	Housing .....			
	37	1		1139-1054-01	Lager .....	Bearing.....			
	38	1		1139-1139-01	Cylinderblock kpl .....	Cylinder block assy .....			
	39	1		1139-1160-01	Bricka .....	Washer.....			
	40	1		1139-1353-01	Motoraxel .....	Motor shaft .....			
	41	1		1139-1021-01	Låsring .....	Snap ring .....			
	42	1		1139-1272-01	Motordrev.....	Motor gear .....			
	43	1		1139-1286-01	Kullager .....	Ball bearing .....			
	44	2		1139-1066-01	Tryckplatta .....	Metal thrust.....			
	45	1		1139-1067-01	Stänklatta kpl.....	Swash plate assy .....		s/n - 013937	
	45	1		1139-1359-01	Stänklatta kpl.....	Swash plate assy .....		s/n 013938-	
	49	1		1139-1315-01	Regleraxel.....	Control shaft .....		s/n 004000- 006773	
	49	1		1139-1354-01	Regleraxel.....	Control shaft .....		s/n 006774-	
	50	1		1139-1190-01	Vridcentrum.....	Fulcrum .....		s/n - 003999	
	50	1		1139-1316-01	Vridcentrum.....	Fulcrum .....		s/n 004000-	
	51	1		1139-1312-01	Fjäder.....	Spring .....			
	52	1		1139-1314-01	Reglerarm.....	Control arm .....			
	53	1		1139-1325-01	Reglerarm.....	Control lever .....			
	54	1		1139-1250-01	Ryckplatta.....	Jerky plate.....			
	55	1		1139-1102-01	Bricka .....	Washer.....			
	56	1		1139-1327-01	Stift .....	Pin .....		s/n 004000- 006773	
	56	1		1139-1355-01	Saxpinne.....	Cotter pin .....		s/n 006774-	
	57	1		1139-1329-01	Stift.....	Pin .....			
	58	1		1139-1285-01	Stift.....	Pin .....			
	59	2		1139-1115-01	O- ring .....	O- ring .....	S		
	60	1		1139-1127-01	Mutter.....	Nut .....			
	61	1		1139-1360-01	Differentialdrev kpl .....	Differential gear kit .....			
	62	1		1139-1258-01	Slutdrev.....	Final gear .....			
	63	1		1139-1255-01	Hylsa .....	Collar .....			
	64	1		1139-1256-01	Reduktionsaxel .....	Reduction shaft.....			
	65	2		1139-1257-01	Bricka .....	Washer.....		s/n - 0013064	
	65	2		1139-1398-01	Bricka .....	Washer.....		s/n 0013065-	
	66	1		1139-1267-01	Reduktionsdrev .....	Reduction gear .....			
	67	1		1139-1259-01	Slutdrev .....	Final pinion .....		s/n - 013064	
	67	1		1139-1361-01	Slutdrev .....	Final pinion .....		s/n 013065-	
	68	1		1139-1269-01	Hjulaxel- vä .....	Axle shaft- left .....		s/n 000001- 003999	
	68	1		1139-1342-01	Hjulaxel- vä .....	Axle shaft- left .....		s/n 004000-	





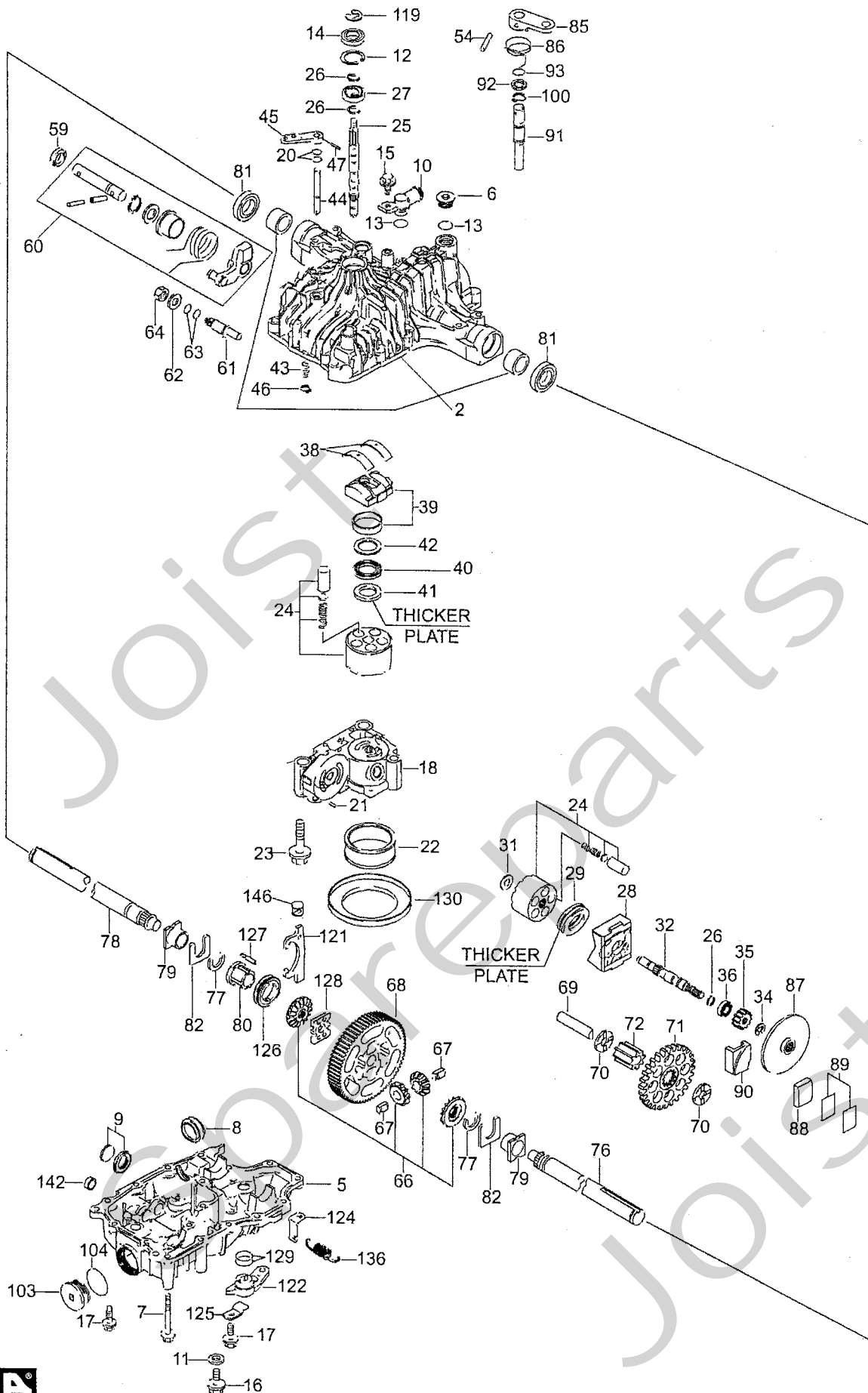
Utgåva Issue		Bildnr Picture No		KANZAKI TRANSAXEL K46AG		KANZAKI TRANSAXLE K46AG		Sida Page	
2005-11		1391B						386	
Pos. Fig.	Antal/Quantity			Art nr Part No	Benämning	Description	Sats Kit	Anmärkning Notes	
	K46 AG								
69	1			1139-1270-01	Hjulaxel- hö.....	Axle shaft- right.....		s/n 000001- 003999 s/n 004000-	
69	1			1139-1343-01	Hjulaxel- hö.....	Axle shaft- right.....			
70	2			1139-1078-01	Tryckbricka.....	Thrust washer.....			
71	2			1139-1163-01	Låsring.....	Ring.....			
72	2			1139-1080-01	Tätning.....	Seal.....	S		
73	2			1139-1164-01	Bussning.....	Bushing.....			
75	1			1139-1260-01	Bromssko.....	Brake shoe.....			
76	1			1139-1261-01	Bromsarm.....	Brake arm.....			
77	1			1139-1320-01	Bromsaxel.....	Brake shaft.....			
78	1			1139-1263-01	Returfjäder.....	Return spring.....			
79	1			1139-1264-01	Bromstryckare.....	Brake actuator.....			
80	1			1139-1282-01	Stift.....	Pin.....			
81	2			1139-1114-01	O- ring.....	O- ring.....	S		
82	2			1139-1281-01	Stift.....	Pin.....			
83	2			1139-1248-01	Krage.....	Spline collar.....			
84	1			1139-1309-01	Remskiva.....	Pulley.....			
85	1			1134-4190-01	Fläkt.....	Fan.....			
86	1			1139-1266-01	Låsbricka.....	Lock washer.....			
87	1			1139-1149-01	Låsring.....	Snap ring.....			
89	1			1139-1351-01	Övre hus.....	Upper housing.....			
90	1			1139-1280-01	Stift.....	Pin.....			
91	1			1139-1303-01	Tätningsring.....	Oil seal.....	S		
95	1			1139-1279-01	Stift.....	Pin.....			
99	2			1139-1103-01	Tätningbricka.....	Seal washer.....	S		
100	2			1139-1123-01	Bult.....	Bolt.....			
199	1			1139-1362-01	Lager.....	Bearing.....		Inkl. pos 46 - 48 Märkta S/ marked S	
200	1			1139-1403-01	Packningssats.....	Seal kit.....			

X

Spareparts Joist

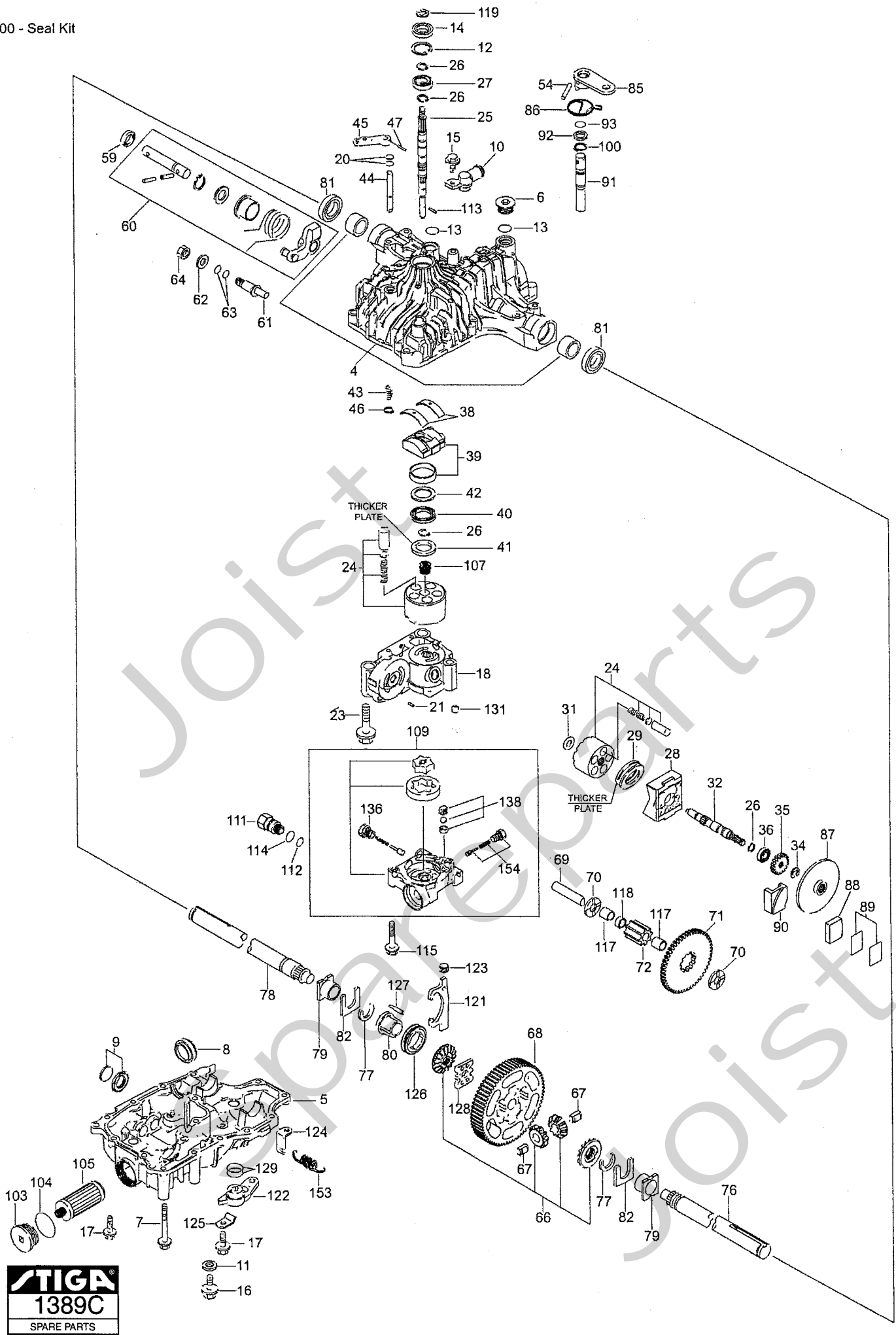


Utgåva Issue		Bildnr Picture No		KANZAKI TRANSAXEL K62E		KANZAKI TRANSAXLE K62E		Sida Page	
2005-11		1388C						388	
Pos. Fig.	Antal/Quantity			Art nr Part No	Benämning	Description	Sats Kit	Anmärkning Notes	
	K62E								
2	1			1139-1169-01	Övre hus kpl .....	Upper case assy .....			
5	1			1139-1212-01	Nedre hus .....	Lower housing .....			
6	1			1139-1171-01	Oljeplugg .....	Oil cap .....			
7	5			1139-1006-01	Bult .....	Bolt .....			
8	1			1139-1172-01	Filter .....	Filter .....			
9	1			1139-1057-01	Magnet kpl .....	Magnet assy .....			
10	1			1139-1179-01	Nippel .....	Fitting .....			
11	2			1139-1277-01	Bricka .....	Washer .....	S		
12	1			1139-1104-01	Låsring .....	Snap ring .....	S		
13	2			1139-1116-01	O-ring .....	O-ring .....	S		
14	1			1139-1119-01	Tätning .....	Seal .....	S		
15	1			1139-1124-01	Bult .....	Bolt .....			
16	2			1139-1292-01	Bult .....	Bolt .....			
17	12			1139-0244-01	Skruv .....	Tapping screw .....			
18	1			1139-1173-01	Centrumhus kpl .....	Center case assy .....			
20	2			1139-1117-01	O-ring .....	O-ring .....	S		
21	1			1139-1158-01	Stift .....	Pin .....			
22	1			1139-1147-01	Filter .....	Filter .....	S		
23	3			1139-1293-01	Bult .....	Bolt .....			
24	2			1139-1139-01	Cylinderblock kpl .....	Cylinder block assy .....			
25	1			1139-1181-01	Pumpaxel .....	Pump shaft .....			
26	3			1139-1021-01	Låsring .....	Snap ring .....			
27	1			1139-1110-01	Kullager .....	Ball bearing .....			
28	1			1139-1170-01	Hus .....	Housing .....			
29	1			1139-1005-01	Axiallager .....	Thrust bearing .....			
31	1			1139-1160-01	Bricka .....	Washer .....			
32	1			1139-1182-01	Motoraxel .....	Motor shaft .....			
34	1			1139-1183-01	Låsring .....	E-ring .....			
35	1			1139-1216-01	Motordrev .....	Motor gear .....			
36	1			1139-1287-01	Kullager .....	Ball bearing .....			
38	2			1139-1022-01	Tryckplatta .....	Metal thrust .....			
39	1			1139-1187-01	Stänkplatta kpl .....	Swash plate assy .....			
40	1			1139-1024-01	Lager .....	Bearing .....			
41	1			1139-1145-01	Tryckbricka .....	Thrust plate .....			
42	1			1139-1026-01	Tryckplatta .....	Thrust plate .....			
43	1			1139-1347-01	Fjäder .....	Spring .....			
44	1			1139-1188-01	Axel-bypass .....	Shaft-bypass .....			
45	1			1139-1189-01	Arm-bypass .....	Lever-bypass .....			
46	1			1139-1161-01	Låsring .....	Ring .....			
47	1			1139-1280-01	Stift .....	Pin .....			
54	1			1139-1285-01	Stift .....	Pin .....			
59	1			1139-1165-01	Tätningssring .....	Seal .....	S		
60	1			1139-1191-01	Regleraxel kpl .....	Control shaft assy .....			
61	1			1139-1190-01	Vridcentrum .....	Fulcrum .....			
62	1			1139-1102-01	Bricka .....	Washer .....			
63	2			1139-1115-01	O-ring .....	O-ring .....	S		
64	1			1139-1127-01	Mutter .....	Nut .....			
66	1			1139-1201-01	Differentialdrev sats .....	Differential gear kit .....			
67	2			1139-1203-01	Tapp .....	Pin .....			
68	1			1139-1208-01	Slutdrev .....	Final gear .....			
69	1			1139-1192-01	Axel .....	Shaft .....			
70	2			1139-1193-01	Bricka .....	Washer .....			
71	1			1139-1207-01	Reduktionsdrev .....	Reduction gear .....			
72	1			1139-1210-01	Slutdrev .....	Final pinion .....			
76	1			1139-1225-01	Hjulaxel- vä .....	Axle shaft- left .....		s/n 000001- 003999	
76	1			1139-1332-01	Hjulaxel- vä .....	Axle shaft- left .....		s/n 004000-	
77	2			1139-1155-01	Låsring .....	Ring .....			
78	1			1139-1226-01	Hjulaxel- hö .....	Axle shaft- right .....		s/n 000001- 003999	
78	1			1139-1333-01	Hjulaxel- hö .....	Axle shaft- right .....		s/n 004000-	
79	2			1139-1156-01	Bussning .....	Bushing .....			
80	1			1139-1213-01	Hylsa .....	Collar .....			
81	2			1139-1044-01	Tätning .....	Seal .....	S		
82	2			1139-1194-01	Tryckbricka .....	Thrust washer .....			



Utgåva Issue		Bildnr Picture No		KANZAKI TRANSAXEL K62E		KANZAKI TRANSAXLE K62E		Sida Page	
2005- 11		1388C						390	
Pos. Fig.	Antal/Quantity			Art nr Part No	Benämning	Description	Sats Kit	Anmärkning Notes	
	K62E								
85	1			1139-1227-01	Bromsarm .....	Brake arm .....			
86	1			1139-1228-01	Returfjäder .....	Return spring .....			
87	1			1139-1195-01	Bromsskiva.....	Brake disc .....			
88	1			1139-1196-01	Bromssko.....	Brake shoe .....			
89	1			1139-1198-01	Shimssats.....	Shim set.....			
90	1			1139-1200-01	Tryckplatta.....	Brake actuator.....			
91	1			1139-1197-01	Bromsaxel .....	Brake shaft .....			
92	1			1139-1199-01	Bricka .....	Washer.....			
93	1			1139-1114-01	O-ring .....	O-ring.....	S		
100	2			1139-1278-01	Låsring .....	Ring .....			
103	1			1139-1230-01	Lock.....	Cap.....			
104	1			1139-1290-01	Packning.....	Packing.....	S		
119	1			1139-1146-01	Låsring .....	Ring .....			
121	1			1139-1217-01	Diffspärrgaffel.....	Diff. lock fork .....			
122	1			1139-1349-01	Diffspärrarm.....	Diff. lock arm .....			
124	1			1139-1220-01	Fjäderkrok.....	Spring hook .....			
125	1			1139-1221-01	Fästplatta .....	Arm hold plate .....			
126	1			1139-1222-01	Glidhylsa.....	Diff. lock slider .....		s/n 004000- 005061	
126	1			1139-1331-01	Glidhylsa.....	Diff. lock slider .....		s/n 005062-	
127	8			1139-1223-01	Stift.....	Diff. lock pin.....			
128	1			1139-1224-01	Diffspärrplatta.....	Diff. lock plate .....			
129	2			1139-1289-01	Packning.....	Packing.....	S		
130	1			1139-1180-01	Distans .....	Spacer.....			
136	1			1139-1144-01	Returfjäder .....	Return spring .....			
142	1			1139-1229-01	Plugg .....	Bore plug .....			
146	1			1139-1219-01	Pivothylsa.....	Diff. lock pivot.....			
200	1			1139-1401-01	Packningssats .....	Seal kit .....		Märkta S/marked S	

X

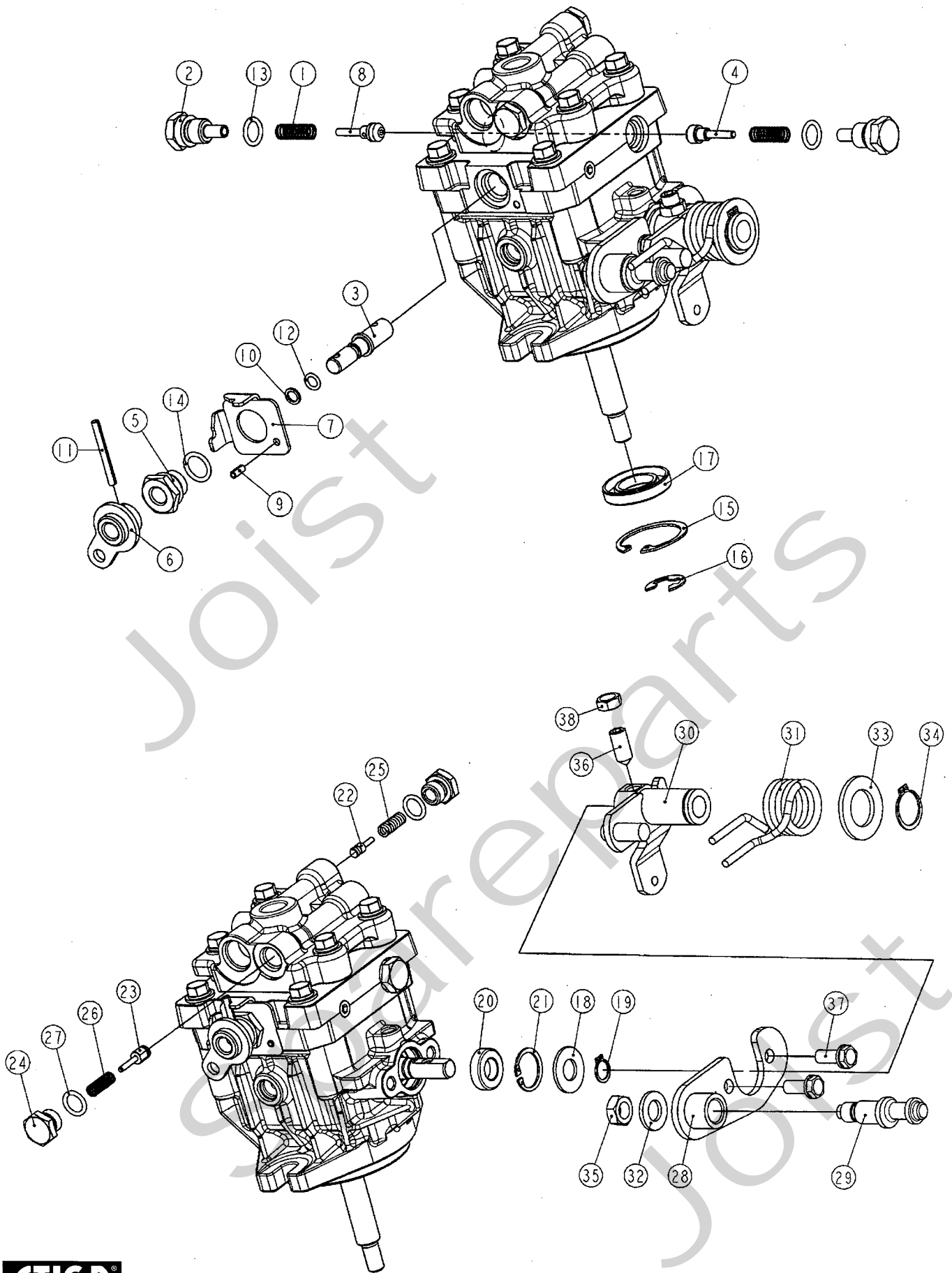


Utgåva Issue		Bildnr Picture No		KANZAKI TRANSAXEL K66B		KANZAKI TRANSAXLE K66B		Sida Page	
2005- 11		1389C						392	
Pos. Fig.	Antal/Quantity			Art nr Part No	Benämning	Description	Sats Kit	Anmärkning Notes	
	K66B								
X 4	1			1139-1169-01	Övre hus kpl .....	Upper case assy .....			
5	1			1139-1399-01	Hus- nedre .....	Case- lower .....			
6	1			1139-1171-01	Oljeplugg .....	Oil cap .....			
7	5			1139-1006-01	Bult .....	Bolt .....			
8	1			1139-1172-01	Filter .....	Filter .....			
9	1			1139-1057-01	Magnet kpl .....	Magnet assy .....			
10	1			1139-1179-01	Nippel .....	Fitting .....			
11	2			1139-1277-01	Bricka .....	Washer .....	S		
12	1			1139-1104-01	Låsring .....	Snap ring .....			
13	2			1139-1116-01	O-ring .....	O-ring .....	S		
14	1			1139-1119-01	Tätning .....	Seal .....	S		
15	1			1139-1124-01	Bult .....	Bolt .....			
16	2			1139-1292-01	Bult .....	Bolt .....			
17	12			1139-0244-01	Skruv .....	Tapping screw .....			
18	1			1139-1178-01	Centrumhus kpl .....	Center case assy .....			
20	2			1139-1117-01	O-ring .....	O-ring .....	S		
21	1			1139-1158-01	Stift .....	Pin .....			
23	3			1139-1293-01	Bult .....	Bolt .....			
24	2			1139-1139-01	Cylinderblock kpl .....	Cylinder block assy .....			
25	1			1139-1214-01	Pumpaxel .....	Pump shaft .....			
26	4			1139-1021-01	Låsring .....	Snap ring .....			
27	1			1139-1110-01	Kullager .....	Ball bearing .....			
28	1			1139-1170-01	Hus .....	Housing .....			
29	1			1139-1005-01	Axiallager .....	Thrust bearing .....			
31	1			1139-1160-01	Bricka .....	Washer .....			
32	1			1139-1182-01	Motoraxel .....	Motor shaft .....			
34	1			1139-1183-01	Låsring .....	E-ring .....			
35	1			1139-1215-01	Motordrev .....	Motor gear .....			
36	1			1139-1287-01	Kullager .....	Ball bearing .....			
38	2			1139-1022-01	Tryckplatta .....	Metal thrust .....			
39	1			1139-1187-01	Stänkplatta kpl .....	Swash plate assy .....			
40	1			1139-1024-01	Lager .....	Bearing .....			
41	1			1139-1145-01	Tryckbricka .....	Thrust plate .....			
42	1			1139-1026-01	Tryckplatta .....	Thrust plate .....			
43	1			1139-1347-01	Fjäder .....	Spring .....			
44	1			1139-1188-01	Axel- bypass .....	Shaft- bypass .....			
45	1			1139-1189-01	Arm- bypass .....	Lever- bypass .....			
46	1			1139-1161-01	Låsring .....	Ring .....			
47	1			1139-1280-01	Stift .....	Pin .....			
54	1			1139-1285-01	Stift .....	Pin .....			
59	1			1139-1165-01	Tätningring .....	Seal .....	S		
60	1			1139-1191-01	Regleraxel kpl .....	Control shaft assy .....			
61	1			1139-1190-01	Vridcentrum .....	Fulcrum .....			
62	1			1139-1102-01	Bricka .....	Washer .....			
63	2			1139-1115-01	O-ring .....	O-ring .....	S		
64	1			1139-1127-01	Mutter .....	Nut .....			
66	1			1139-1201-01	Differentialdrev sats .....	Differential gear kit .....			
67	2			1139-1203-01	Tapp .....	Pin .....			
68	1			1139-1208-01	Slutdrev .....	Final gear .....			
69	1			1139-1192-01	Axel .....	Shaft .....			
70	2			1139-1193-01	Bricka .....	Washer .....			
71	1			1139-1206-01	Reduktionsdrev .....	Reduction gear .....			
72	1			1139-1209-01	Slutdrev .....	Final pinion .....			
76	1			1139-1225-01	Hjulaxel- vän .....	Axle shaft- left .....		s/n 000001- 002999	
76	1			1139-1332-01	Hjulaxel- vän .....	Axle shaft- left .....		s/n 003000-	
77	2			1139-1155-01	Låsring .....	Ring .....			
78	1			1139-1226-01	Hjulaxel- hö .....	Axle shaft- right .....		s/n 000001- 002999	
78	1			1139-1333-01	Hjulaxel- hö .....	Axle shaft- right .....		s/n 003000-	
79	2			1139-1156-01	Bussning .....	Bushing .....			
80	1			1139-1330-01	Hylsa .....	Collar .....			
81	2			1139-1044-01	Tätning .....	Seal .....	S		
82	2			1139-1194-01	Tryckbricka .....	Thrust washer .....			
85	1			1139-1227-01	Bromsarm .....	Brake arm .....			

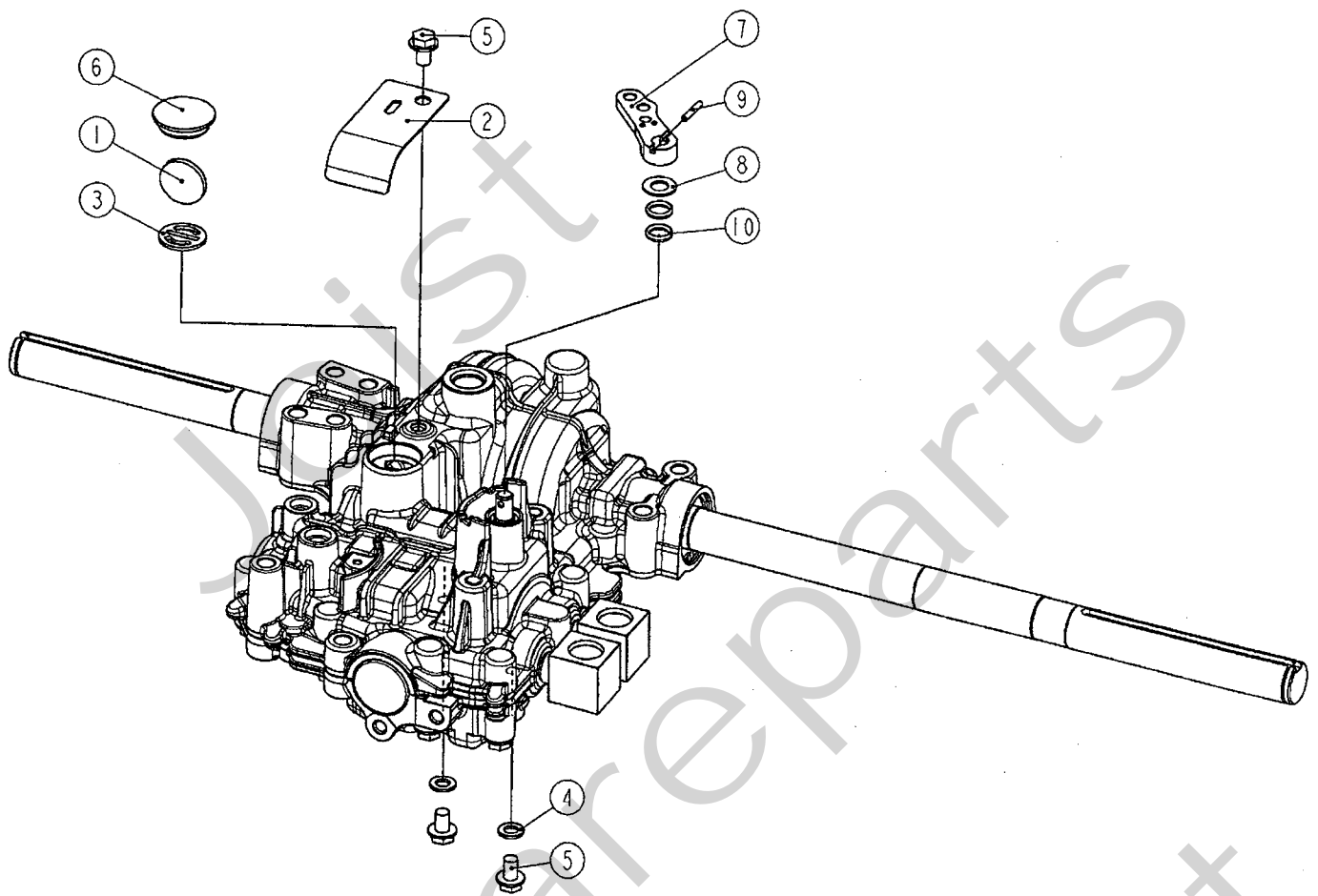




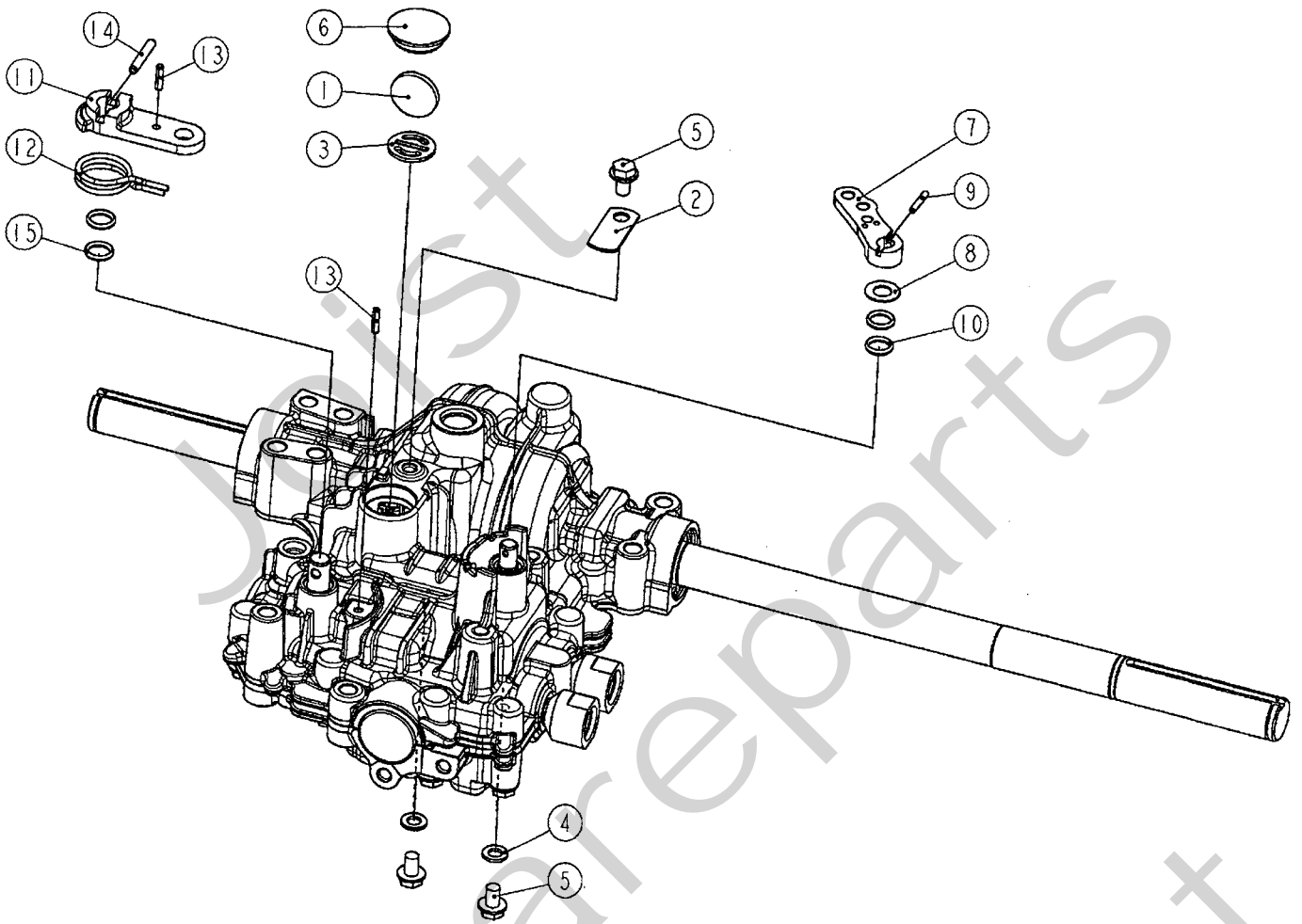
Utgåva Issue		Bildnr Picture No		KANZAKI TRANSAXEL K66B		KANZAKI TRANSAXLE K66B		Sida Page	
2005- 11		1389C						394	
Pos. Fig.	Antal/Quantity			Art nr Part No	Benämning	Description	Sats Kit	Anmärkning Notes	
	K66B								
86	1			1139-1228-01	Returfjäder .....	Return spring .....			
87	1			1139-1195-01	Bromsskiva .....	Brake disc .....			
88	1			1139-1196-01	Bromssko .....	Brake shoe .....			
89	1			1139-1198-01	Shimssats .....	Shim set .....			
90	1			1139-1200-01	Tryckplatta .....	Brake actuator .....			
91	1			1139-1197-01	Bromsaxel .....	Brake shaft .....			
92	1			1139-1199-01	Bricka .....	Washer .....			
93	1			1139-1114-01	O-ring .....	O-ring .....	S		
100	2			1139-1278-01	Låsring .....	Ring .....			
103	1			1139-1230-01	Lock .....	Cap .....			
104	1			1139-1290-01	Packning .....	Packing .....	S		
105	1			1139-1186-01	Filter .....	Filter .....	S		
107	1			1139-1018-01	Fjäder .....	Spring .....			
109	1			1139-1357-01	Pumphus kpl .....	Pump case assy .....		Inkl. pos 136- 138,154	
111	2			1139-1235-01	Anslutning .....	Connector .....			
112	2			1139-1168-01	Packning .....	Packing .....	S		
113	1			1139-1148-01	Stift .....	Pin .....			
114	2			1139-1350-01	O-ring .....	O-ring .....	S		
115	2			1139-1291-01	Bult .....	Bolt .....			
117	2			1139-1204-01	Nållager .....	Needle bearing .....			
118	1			1139-1205-01	Hylsa .....	Collar .....			
119	1			1139-1146-01	Låsring .....	Ring .....			
121	1			1139-1217-01	Diffspärrgaffel .....	Diff. lock fork .....			
122	1			1139-1349-01	Diffspärrarm .....	Diff. lock arm .....			
123	1			1139-1219-01	Pivohylsa .....	Diff. lock pivot .....			
124	1			1139-1220-01	Fjäderkrok .....	Spring hook .....			
125	1			1139-1221-01	Fästplatta .....	Arm hold plate .....			
126	1			1139-1222-01	Glidhylsa .....	Diff. lock slider .....		s/n 003000- 003373	
126	1			1139-1331-01	Glidhylsa .....	Diff. lock slider .....		s/n 003374-	
127	8			1139-1223-01	Stift .....	Diff. lock pin .....			
128	1			1139-1224-01	Diffspärrplatta .....	Diff. lock plate .....			
129	2			1139-1289-01	Packning .....	Packing .....	S		
131	2			1139-1166-01	Tapp .....	Pin .....			
136	1			1139-1154-01	• Ventil kpl. ....	• Valve assy .....			
138	1			1139-1234-01	• Ventil kpl. ....	• Check assy .....			
153	1			1139-1144-01	Returfjäder .....	Return spring .....			
154	1			1139-1153-01	• Ventil kpl. ....	• Valve assy .....			
X 200	1			1139-1400-01	Packningssats .....	Seal kit .....		Märkta S/marked S	



Utgåva Issue		Bildnr Picture No		KANZAKI HYDRAULPUMP KPL- 10ALP		KANZAKI HYDRAULIC PUMP KPL- 10ALP		Sida Page	
2005- 11		1826						396	
Pos. Fig.	Antal/Quantity			Art nr Part No	Benämning	Description	Sats Kit	Anmärkning Notes	
	KPL- 10 ALP								
X	0	1		1134-5700-01	Hydraulpump kpl.....	Hydraulic pump assy .....			
X	1	2		1139-1366-01	Fjäder.....	Spring .....			
X	2	2		1139-1367-01	Plugg.....	Check plug .....			
X	3	1		1139-1370-01	By-pass axel.....	By-pass pin .....			
X	4	1		1139-1368-01	Ventil.....	Check valve F .....			
X	5	1		1139-1371-01	Adapter.....	By-pass adapter .....			
X	6	1		1139-1372-01	By-pass arm.....	By-pass lever .....			
X	7	1		1139-1373-01	Plåt.....	By-pass plate.....			
X	8	1		1139-1374-01	Ventil.....	Check valve R.....			
X	9	1		1139-1394-01	Stift.....	Pin .....			
X	10	1		1139-1387-01	Ring.....	Back-up ring.....			
X	11	1		1139-1395-01	Stift.....	Pin .....			
	12	1		1139-1112-01	O-ring .....	O-ring .....			
	13	2		1139-1114-01	O-ring .....	O-ring .....			
	14	1		1139-1115-01	O-ring .....	O-ring .....			
X	15	1		1139-1369-01	Spårring.....	Snap ring .....			
	16	1		1139-1146-01	Låsring.....	Ring .....			
X	17	1		1139-1396-01	Tätningring.....	Seal .....			
X	18	1		1139-1382-01	Bricka.....	Washer.....			
X	19	1		1139-1391-01	Låsring.....	Ring .....			
X	20	1		1139-1365-01	Tätningring.....	Oil seal .....			
X	21	1		1139-1393-01	Spårring.....	Ring .....			
X	22	1		1139-1385-01	Ventil.....	Relief valve.....			
X	23	1		1139-1386-01	Ventil.....	Charge valve.....			
X	24	2		1139-1375-01	Plugg.....	Charge plug.....			
X	25	1		1139-1376-01	Fjäder.....	Spring .....			
X	26	1		1139-1389-01	Ventilfjäder.....	Valve spring.....			
	27	2		1139-1114-01	O-ring .....	O-ring .....			
X	28	1		1139-1377-01	Plåt.....	Plate.....			
X	29	1		1139-1378-01	Vridcentrum.....	Fulcrum.....			
X	30	1		1139-1379-01	Arm.....	Arm .....			
X	31	1		1139-1380-01	Returfjäder.....	Return spring.....			
	32	1		1139-1102-01	Bricka.....	Washer.....			
X	33	1		1139-1390-01	Bricka.....	Washer.....			
X	34	1		1139-1392-01	Spårring.....	Ring .....			
	35	1		1139-1127-01	Mutter.....	Nut .....			
X	36	1		1139-1381-01	Stoppskruv.....	Set screw.....			
	37	2		1139-1122-01	Bult m.bricka.....	Bolt w/washer.....			
	38	1		1139-1127-01	Mutter.....	Nut .....			



Utgåva Issue		Bildnr Picture No		KANZAKI MOTORAXEL- FRAM KTM10F		KANZAKI MOTOR SHAFT- FRONT KTM10F		Sida Page	
2005- 11		1827						398	
Pos. Fig.	Antal/Quantity			Art nr Part No	Benämning	Description	Sats Kit	Anmärkning Notes	
	KTM 10F								
X	0	1		1134- 5702- 01	Motoraxel- fram .....	Motor shaft- front.....			
	1	1		1139- 1150- 01	Magnet .....	Magnet.....			
X	2	1		1139- 1384- 01	Glidplåt .....	Skid plate .....			
	3	1		1139- 1341- 01	Hållare- magnet .....	Holder- magnet .....			
	4	2		1139- 1103- 01	Tätningbricka .....	Seal washer.....			
	5	3		1139- 1123- 01	Bult .....	Bolt .....			
X	6	1		1139- 1397- 01	Tätningshuv.....	Sealing cap .....			
	7	1		1139- 1189- 01	Arm- bypass .....	Lever- bypass.....			
X	8	1		1139- 1388- 01	Bricka .....	Washer.....			
	9	1		1139- 1280- 01	Stift.....	Pin .....			
	10	2		1139- 1114- 01	O- ring .....	O- ring .....			



Utgåva Issue		Bildnr Picture No		KANZAKI MOTORAXEL- BAK KTM10G		KANZAKI MOTOR SHAFT- REAR KTM10G		Sida Page	
2005- 11		1828						400	
Pos. Fig.	Antal/Quantity			Art nr Part No	Benämning	Description	Sats Kit	Anmärkning Notes	
	KTM 10G								
X	0	1		1134-5701-01	Motoraxel- bak .....	Motor shaft- rear .....			
	1	1		1139-1150-01	Magnet .....	Magnet .....			
X	2	1		1139-1383-01	Plåt .....	Vent port plate .....			
	3	1		1139-1341-01	Hållare- magnet .....	Holder- magnet .....			
	4	2		1139-1103-01	Tätningbricka .....	Seal washer .....			
	5	3		1139-1123-01	Bult .....	Bolt .....			
X	6	1		1139-1397-01	Tätningshuv .....	Sealing cap .....			
	7	1		1139-1189-01	Arm- bypass .....	Lever- bypass .....			
X	8	1		1139-1388-01	Bricka .....	Washer .....			
	9	1		1139-1280-01	Stift .....	Pin .....			
	10	2		1139-1114-01	O- ring .....	O- ring .....			
	11	1		1139-1261-01	Bromsarm .....	Brake arm .....			
	12	1		1139-1263-01	Returfjäder .....	Return spring .....			
	13	2		1139-1281-01	Stift .....	Pin .....			
	14	1		1139-1282-01	Stift .....	Pin .....			
	15	2		1139-1114-01	O- ring .....	O- ring .....			