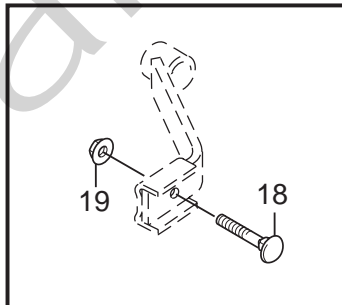
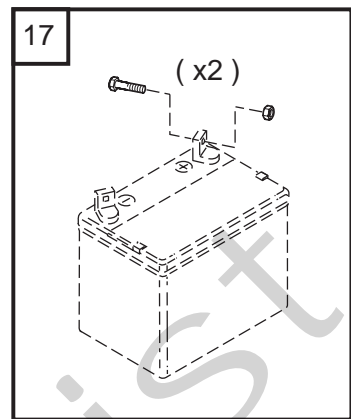
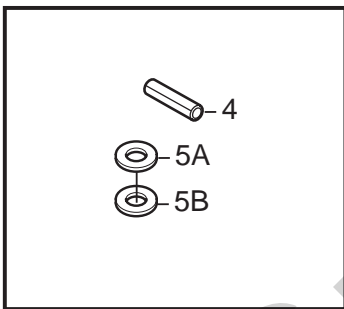
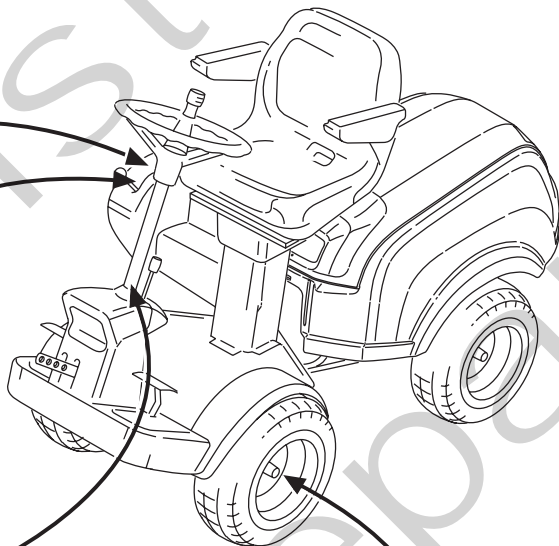
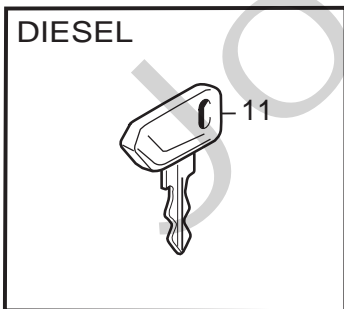
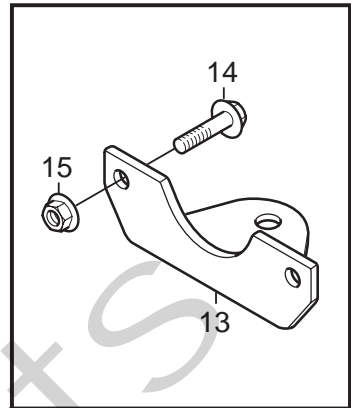
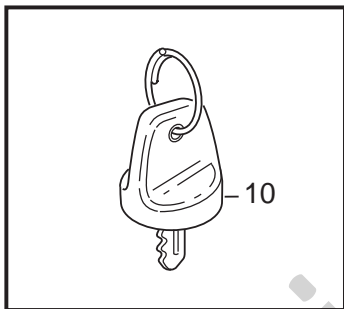
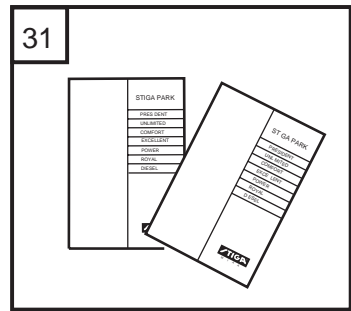


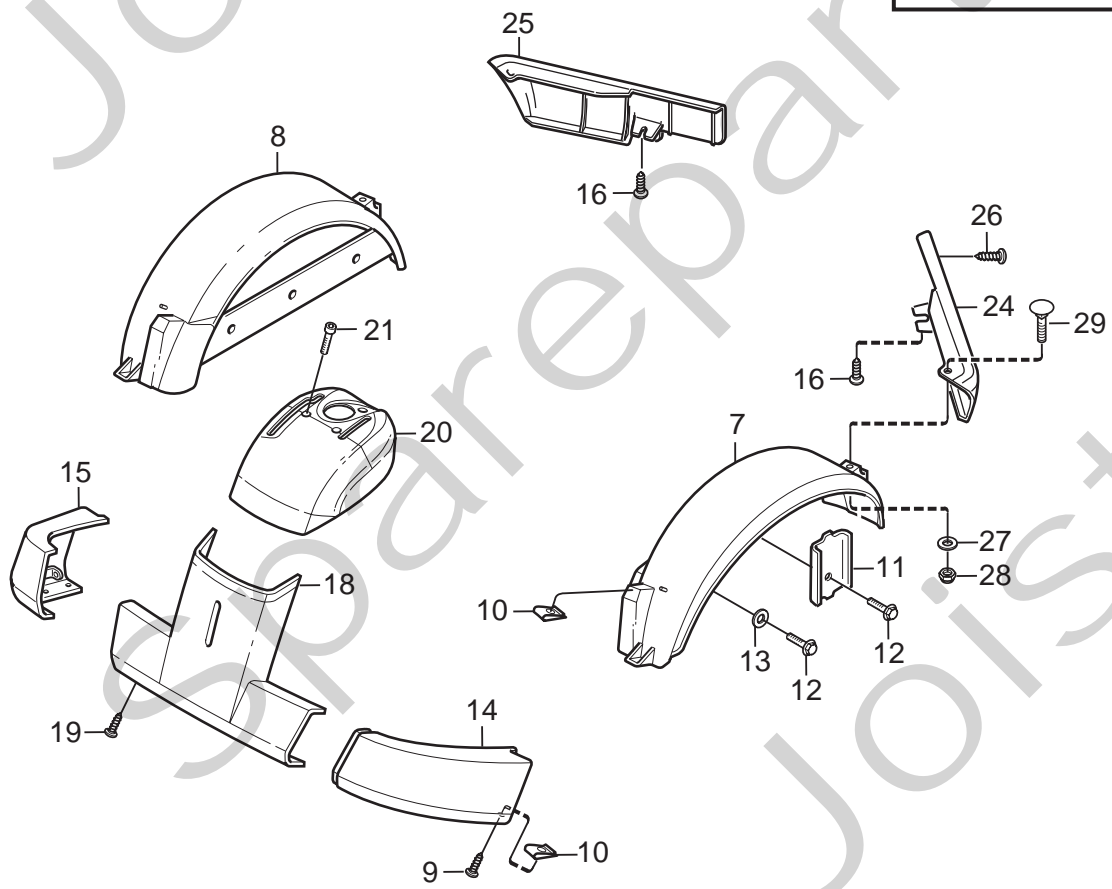
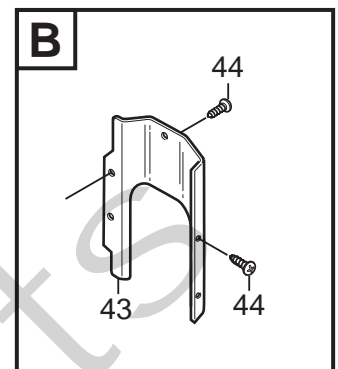
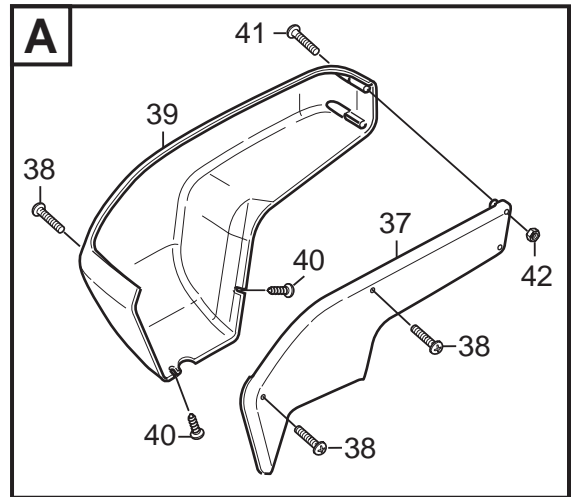
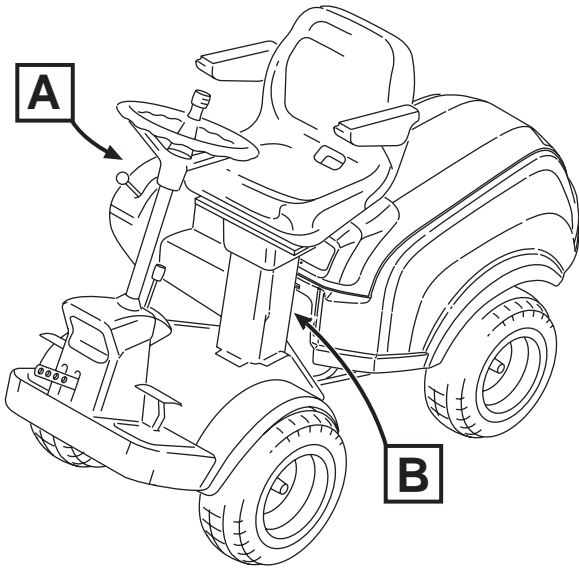
Genuine Spare Parts



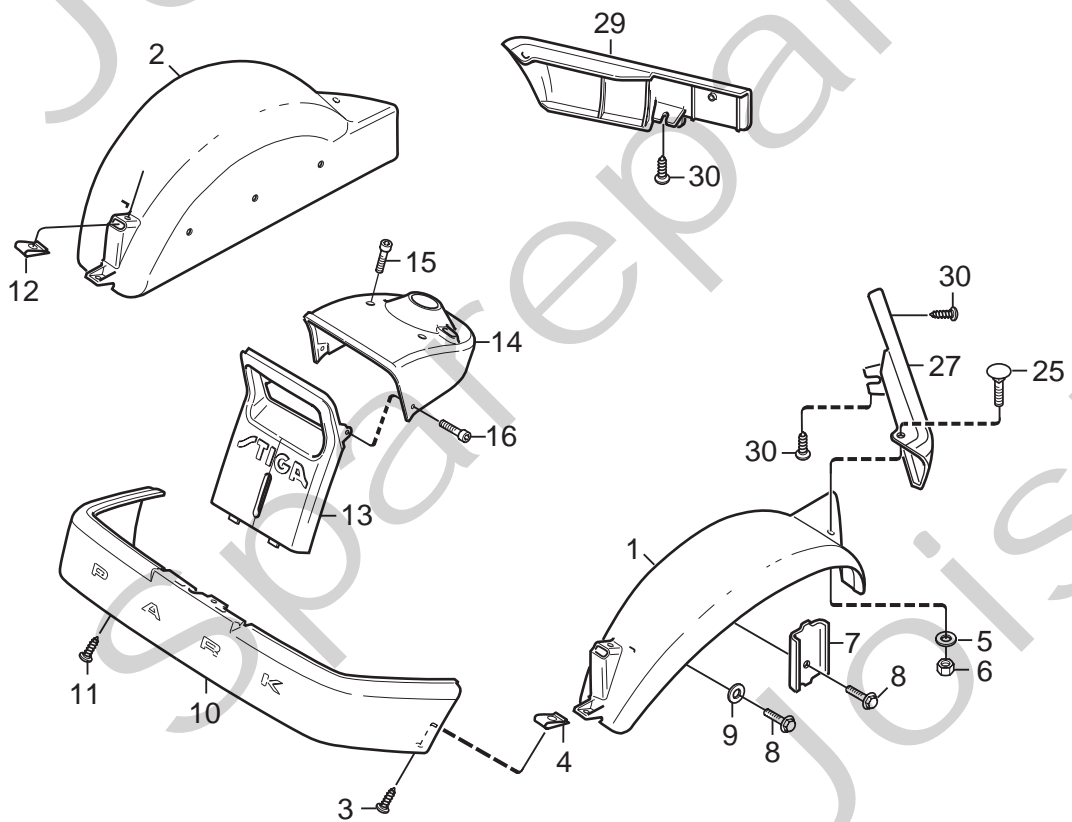
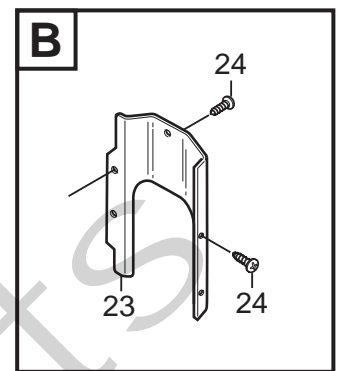
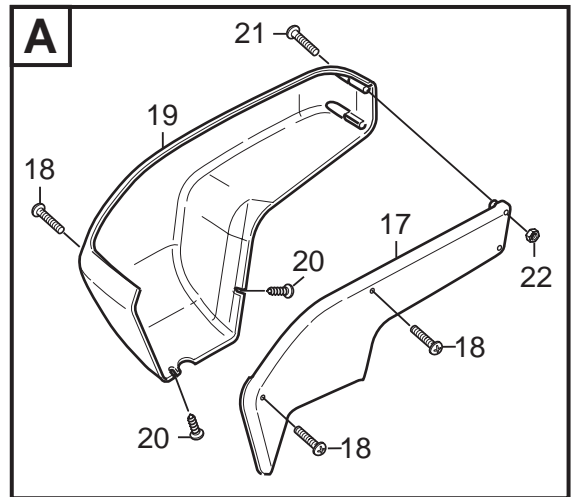
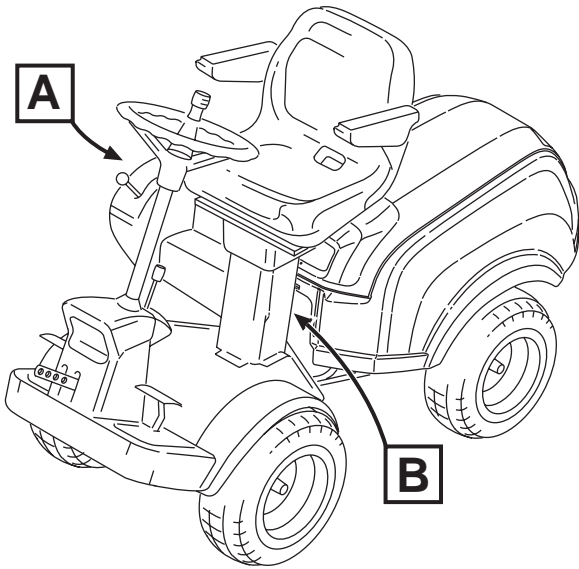
Joist
Spareparts
Joist



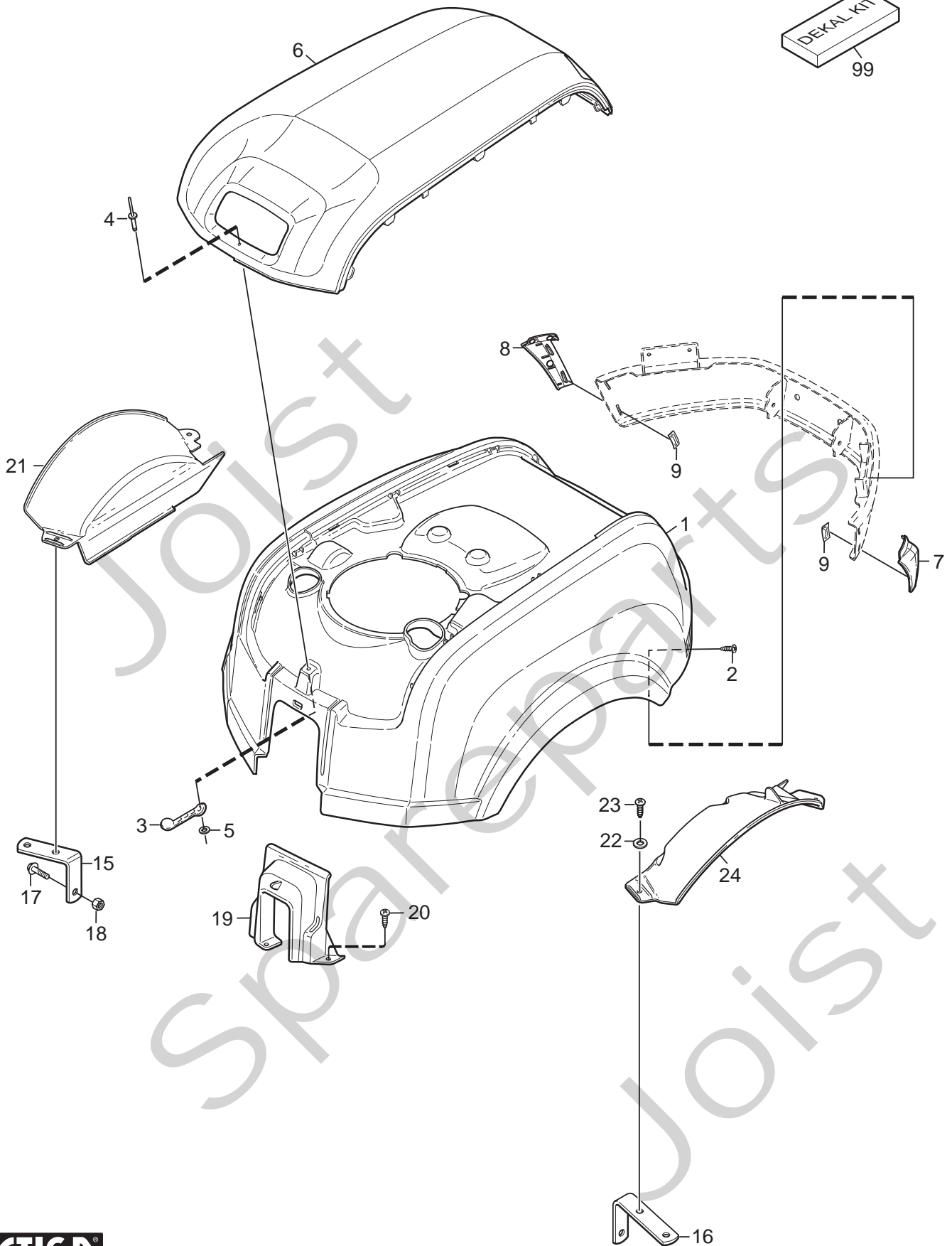
Utgåva Issue		Bildnr Picture No		PARK 2WD MONTERINGSDETALJER		PARK 2WD ASSEMBLY PARTS		Sida Page	
2008- 11		2014A						48	
Pos. Fig.	Antal/Quantity				Art nr Part No	Benämning	Description	Sats Kit	Anmärkning Notes
	6141 6182 6183	6184 6189 6193 6195	6180	6142 6144 6179					
4	1	1	1	1	9595-0262-00	Spännstift	Locating pin		
5A	1	1	1	1	9699-0103-02	Shims	Flat washer		0.5 mm
5B	1	1	1	1	9699-0114-02	Shims	Flat washer		1.0 mm
10	2	2		2	1134-4734-01	Tändningsnyckel.....	Ignition key		
11			2		1134-4909-01	Tändningsnyckel.....	Ignition key		
13	1	1	1	1	1134-5512-01	Dragplåt.....	Towing plate.....		
14	2	2	2	2	9959-0820-16	Skruv.....	Screw.....		
15	2	2	2	2	9739-0831-22	Mutter.....	Nut		
17	1	1	1	1	1134-6113-02	Batteriskruvar	Battery screws		
18	2	2	2	2	9898-1035-16	Skruv.....	Screw.....		
19	2	2	2	2	9739-1031-22	Mutter.....	Nut		
X 31	1				8211-0003-80	Bruksanvisning.....	Owner's manual		
X 31	1				8211-0004-80	Bruksanvisning.....	Owner's manual		
X 31			1		8211-0007-80	Bruksanvisning.....	Owner's manual		
X 31			1		8211-0008-80	Bruksanvisning.....	Owner's manual		
X 31		1			8211-0014-80	Bruksanvisning.....	Owner's manual		
X 31		1			8211-0015-80	Bruksanvisning.....	Owner's manual		
X 31	1				8211-0020-80	Bruksanvisning.....	Owner's manual	6141-54	
X 31	1				8211-0021-80	Bruksanvisning.....	Owner's manual	6141-54	
X 31			1		8211-0033-80	Bruksanvisning.....	Owner's manual	6179-04	
X 31			1		8211-0071-80	Bruksanvisning.....	Owner's manual	6142-64	
X 31			1		8211-0072-80	Bruksanvisning.....	Owner's manual	6144-74	
X 31	1	1	1	1	8211-0604-80	Monteringsanvisning.....	Assy instructions		
X 31	1	1	1	1	8211-0701-80	Säkerhetsföreskrifter	Safety regulations		
X 31	1	1	1	1	8211-0901-80	Servicebok.....	Service book		
X 31			1		8211-0902-80	Servicebok.....	Service book		
X 31	1	1	1	1	8211-0950-80	Garantikort.....	Warranty card		



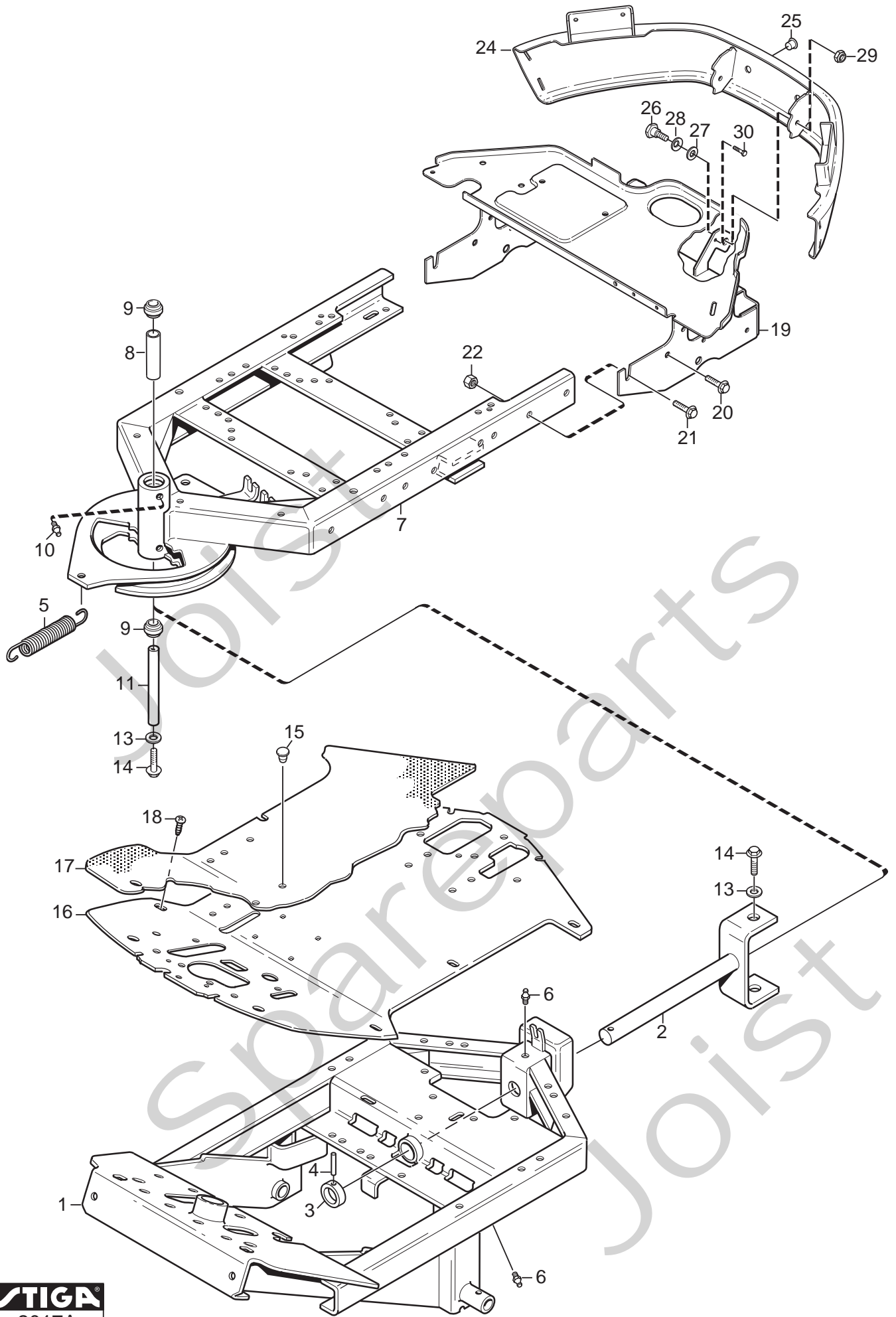
Utgåva Issue 2008- 11		Bildnr Picture No 2405		PARK 2WD SILENT 14 KAROSS-FRAM		PARK 2WD SILENT 14 BODY WORK- FRONT		Sida Page 50	
Pos. Fig.	Antal/Quantity				Art nr Part No	Benämning	Description	Sats Kit	Anmärkning Notes
	6144								
7	1				1134-5308-01	Stänkskärm vä- grå.....	Mud guard LH- grey		
8	1				1134-5308-02	Stänkskärm hö- grå	Mud guard RH- grey.....		
9	4				9893-0616-16	Skruv	Screw.....		
10	4				1134-4176-01	Clips	Clips		
11	2				1134-0225-00	Stödplåt	Support plate		
12	6				9945-0816-16	Skruv	Screw.....		
13	4				9699-0056-02	Planbricka.....	Flat washer.....		
14	1				1134-5306-01	Stötfångare, front- vä.....	Bumper, front- LH		
15	1				1134-5306-02	Stötfångare, front- hö	Bumper, front- RH		
16	2				9893-0616-16	Skruv	Screw.....		
18	1				1134-5305-01	Front- nedre	Front plate- lower		
19	2				9893-0616-16	Skruv	Screw.....		
20	1				1134-5304-01	Front- övre	Front- upper		
21	2				9946-0525-16	Skruv	Screw.....		
24	1				1134-3970-05	Kantlist- vä, grå.....	Moulding- LH, grey		
25	1				1134-3970-02	Kantlist- hö, grå	Moulding- RH, grey.....		
26	2				9893-0616-16	Skruv	Screw.....		
27	2				9699-0060-02	Planbricka.....	Flat washer.....		
28	2				9747-0631-02	Låsmutter	Lock nut		
29	2				9897-0616-16	Vagnsbult	Carriage bolt		
37	1				1134-4360-01	Kåpa- inre	Cover- inner		
38	3				9946-0525-16	Skruv	Screw.....		
39	1				1134-3979-01	Kåpa- yttre	Cover- outer		
40	2				9840-8019-16	Skruv	Screw.....		
41	2				9950-0570-12	Skruv	Screw.....		
42	2				9747-0531-02	Mutter.....	Nut.....		
43	1				1134-6461-01	Bakstycke	Rear plate.....		
44	4				9893-0616-16	Skruv	Screw.....		



Utgåva Issue 2008- 11		Bildnr Picture No 2015B		PARK 2WD KAROSS-FRAM		PARK 2WD BODY WORK- FRONT		Sida Page 52	
Pos. Fig.	Antal/Quantity				Art nr Part No	Benämning	Description	Sats Kit	Anmärkning Notes
	6141 6182 6184	6193 6195	6142 6179 6183 6189	6180					
1	1	1	1	1	1134-3943-01	Skärm- vä, gul	Mud guard- LH, yell.....		
2	1	1	1	1	1134-3943-02	Skärm- hö, gul	Mud guard- RH, yell.		
3	2	2	2	2	9893-0616-16	Skruv	Screw		
4	4	4	4	4	1134-4176-01	Clips	Clips		
5	2	2	2	2	9699-0060-02	Planbricka.....	Flat washer.....		
6	2	2	2	2	9747-0631-02	Låsmutter	Lock nut		
7	2	2	2	2	1134-0225-00	Stödplåt	Support plate		
8	6	6	6	6	9945-0816-16	Skruv	Screw		
9	4	4	4	4	9699-0056-02	Planbricka.....	Flat washer.....		
10	1	1	1	1	1134-4220-02	Stötfångare- grå.....	Bumper- grey		
11	6	6	6	6	9893-0616-16	Skruv	Screw		
12	2	2	2	2	1134-4176-01	Clips	Clips		
13	1	1	1	1	1134-4216-05	Frontdekor- gul	Front plate- yellow.....		
14	1	1	1	1	1134-3984-03	Frontdekor övre- gul	Front plate upper- yel		
15	2	2	2	2	9946-0525-16	Skruv	Screw		
16	2	2	2	2	9840-8019-16	Skruv	Screw		
17	1	1	1	1	1134-4360-01	Kåpa- inre	Cover- inner		
18	3	3	3	3	9946-0525-16	Skruv	Screw		
19	1	1	1	1	1134-3979-01	Kåpa- yttre	Cover- outer		
20	2	2	2	2	9840-8019-16	Skruv	Screw		
21	2	2	2	2	9950-0570-12	Skruv	Screw		
22	2	2	2	2	9747-0531-02	Mutter.....	Nut		
23	1	1	1	1	1134-6461-01	Bakstycke	Rear plate.....		
24	4	4	4	4	9893-0616-16	Skruv	Screw		
25	2	2	2	2	9897-0616-16	Vagnsbult	Carriage bolt		
27	1	1	1	1	1134-3970-05	Kantlist- vä, grå.....	Moulding- LH, grey		
29	1	1	1	1	1134-3970-02	Kantlist- hö, grå.....	Moulding- RH, grey.....		
30	4	4	4	4	9893-0616-16	Skruv	Screw		



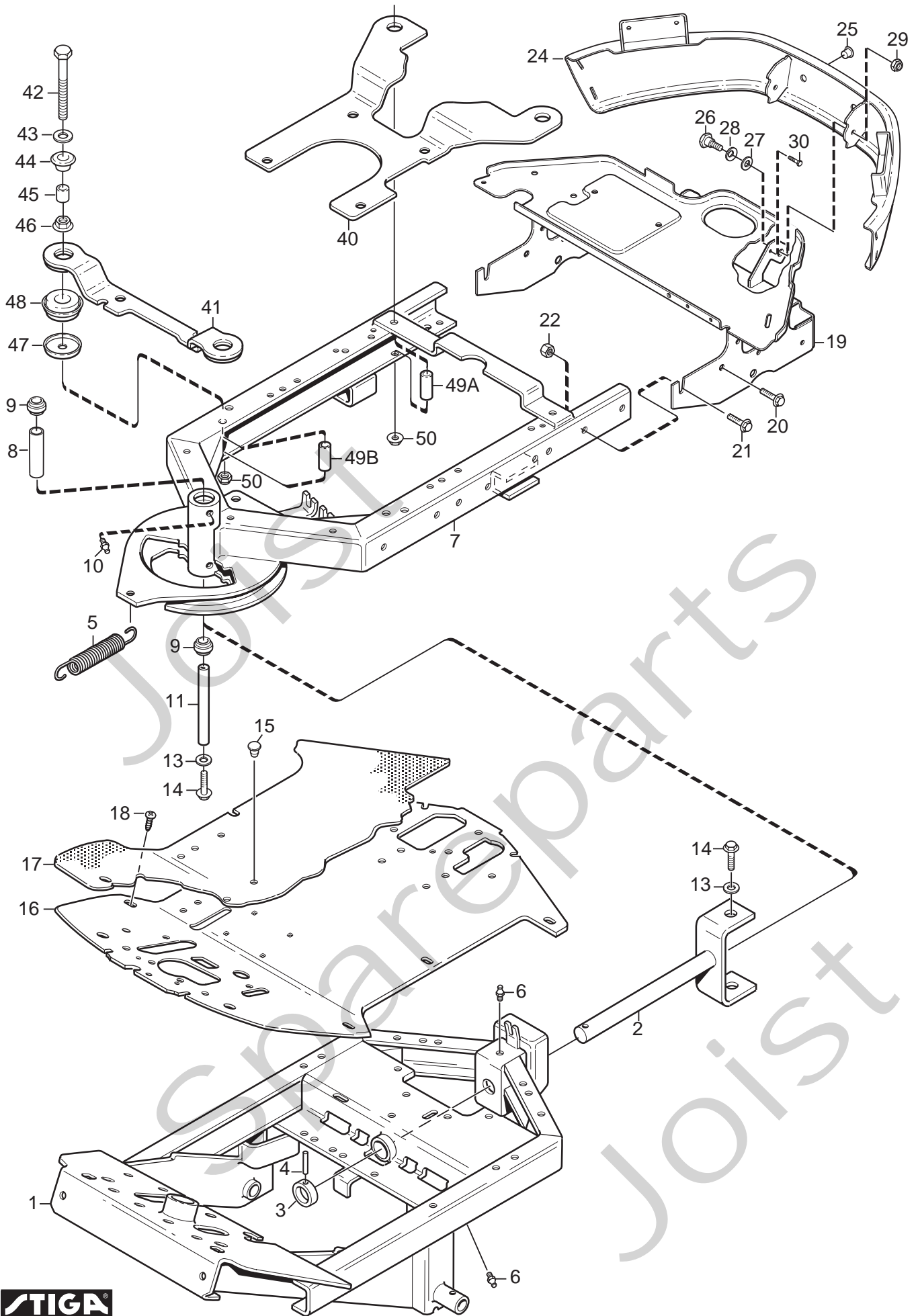
Utgåva Issue 2008- 11		Bildnr Picture No 2016B		PARK 2WD KAROSS- BAK		PARK 2WD BODY WORK- REAR		Sida Page 54	
Pos. Fig.	Antal/Quantity				Art nr Part No	Benämning	Description	Sats Kit	Anmärkning Notes
	6141 6182 6184	6193 6195	6142 6179 6183 6189	6144 6180					
1	1	1	1	1	1134- 6025- 01	Motorhuv.....	Engine hood		
2	4	4	4	4	9893- 0616- 16	Skruv	Screw		
3	1	1	1	1	1134- 9028- 01	Gummistropp- sats	Rubber strap kit		Sats 3 st/kit of 3
4	1	1	1	1	9632- 0513- 00	Popnit	Pop rivet		
5	1	1	1	1	9699- 0120- 02	Bricka	Washer		
6	1	1	1	1	1134- 6026- 01	Motorlucka	Engine cover		
7	1	1	1	1	1134- 6027- 01	Ändavslut- vä	Bumper end- LH		
8	1	1	1	1	1134- 6027- 02	Ändavslut- hö	Bumper end- RH		
9	4	4	4	4	1134- 6310- 01	Clips	Clips		
15			1	1	1134- 4012- 03	Stödkonsol- hö	Support- RH		
16			1	1	1134- 4012- 04	Stödkonsol- vä	Support- LH		
17			1	1	9959- 0820- 16	Skruv	Screw		
18			1	1	9739- 0831- 22	Mutter	Nut		
19	1	1	1	1	1134- 6241- 01	Huvstöd	Hood support		
20	3	3	3	3	9893- 0616- 16	Skruv	Screw		
21			1	1	1134- 4800- 01	Innerskärm- hö	Inner mud guard- RH		
22			4	4	9699- 0060- 02	Planbricka	Flat washer		
23			4	4	9893- 0616- 16	Skruv	Screw		
24			1	1	1134- 4801- 01	Innerskärm- vä	Inner mud guard- LH		
99			1	1	1134- 4593- 08	Dekalsats	Decal kit		Diesel
99	1				1134- 6443- 01	Dekalsats	Decal kit		Comfort
99			1		1134- 6443- 02	Dekalsats	Decal kit		Royal
99	1				1134- 6443- 03	Dekalsats	Decal kit		President
99			1		1134- 6443- 04	Dekalsats	Decal kit		Excellent
99	1				1134- 6443- 05	Dekalsats	Decal kit		Unlimited



Utgåva Issue 2008- 11		Bildnr Picture No 2017A			PARK 2WD BENSIN RAM		PARK 2WD PETROL FRAME		Sida Page 56	
Pos. Fig.	Antal/Quantity				Art nr Part No	Benämning	Description	Sats Kit	Anmärkning Notes	
	6141 6142 6144 6179	6182 6183 6184 6189	6193	6195						
1	1	1	1		1134-5315-03	Ram- främre	Frame- front			
2	1	1	1		1134-3963-02	• Midjegaffel	• Clevis			
3	1	1	1		1134-0031-00	• Ledaxelstopp	• Pivot shaft stop			
4	1	1	1		9595-0262-00	• Spännstift	• Locating pin			
5	1	1	1		1134-2171-01	Fjäder.....	Spring			
6	2	2	2		9501-0500-00	Smörjnippel	Grease joint.....			
7	1	1	1		1134-6466-01	Ram- bakre	Frame- rear.....			
8	1	1	1		1134-5705-01	• Distans	• Spacer			
9	2	2	2		9547-0001-00	• Ledlager.....	• Bearing.....			
10	2	2	2		9501-0500-00	• Smörjnippel	• Grease joint.....			
11	1	1	1		1134-5988-01	Centrumaxel	Centre shaft.....			
13	2	2	2		9699-0035-02	Planbricka.....	Flat washer.....			
14	2	2	2		9959-1025-16	Skruv.....	Screw.....			
15	2	2	2		9403-0048-70	Täckpropp	Plug			
16	1	1	1		1134-5294-01	Durk.....	Floor plate.....			
17	1	1	1		1134-6372-04	Durkmatta.....	Floor mat.....			
18	2	2	2		9893-0616-16	Skruv.....	Screw.....			
19	1	1	1		1134-5944-01	Tankhylla.....	Tank shelf.....			
20	2	2	2		9945-0816-16	Skruv.....	Screw.....			
21	2	2	2		9959-0820-16	Skruv.....	Screw.....			
22	2	2	2		9739-0831-22	Mutter.....	Nut.....			
24	1	1	1		1134-5676-01	Stötfångare.....	Bumper			
25	2	2	2		1134-4100-01	Täckpropp	Plug			
26	2	2	2		1134-0240-00	Ansatsskruv.....	Shoulder screw.....			
27	2	2	2		1134-4242-01	Distansbricka.....	Spacer washer.....			
28	2	2	2		9665-0002-00	Brickfjäder	Bowed washer.....			
29	2	2	2		9747-0831-02	Mutter.....	Lock nut.....			
30	2	2	2		9943-0516-16	Skruv.....	Screw.....			

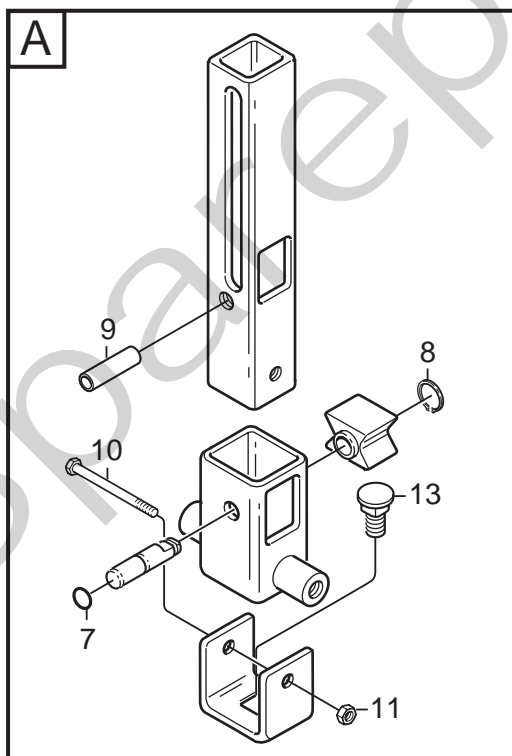
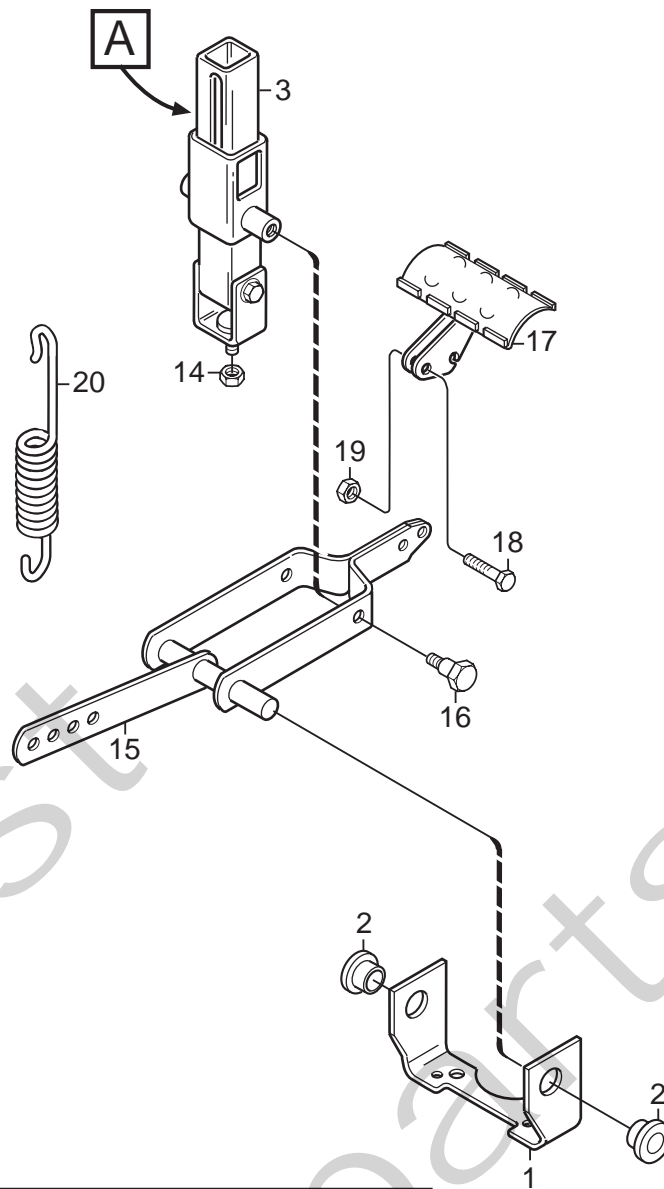
X

Spåreparts
Joist

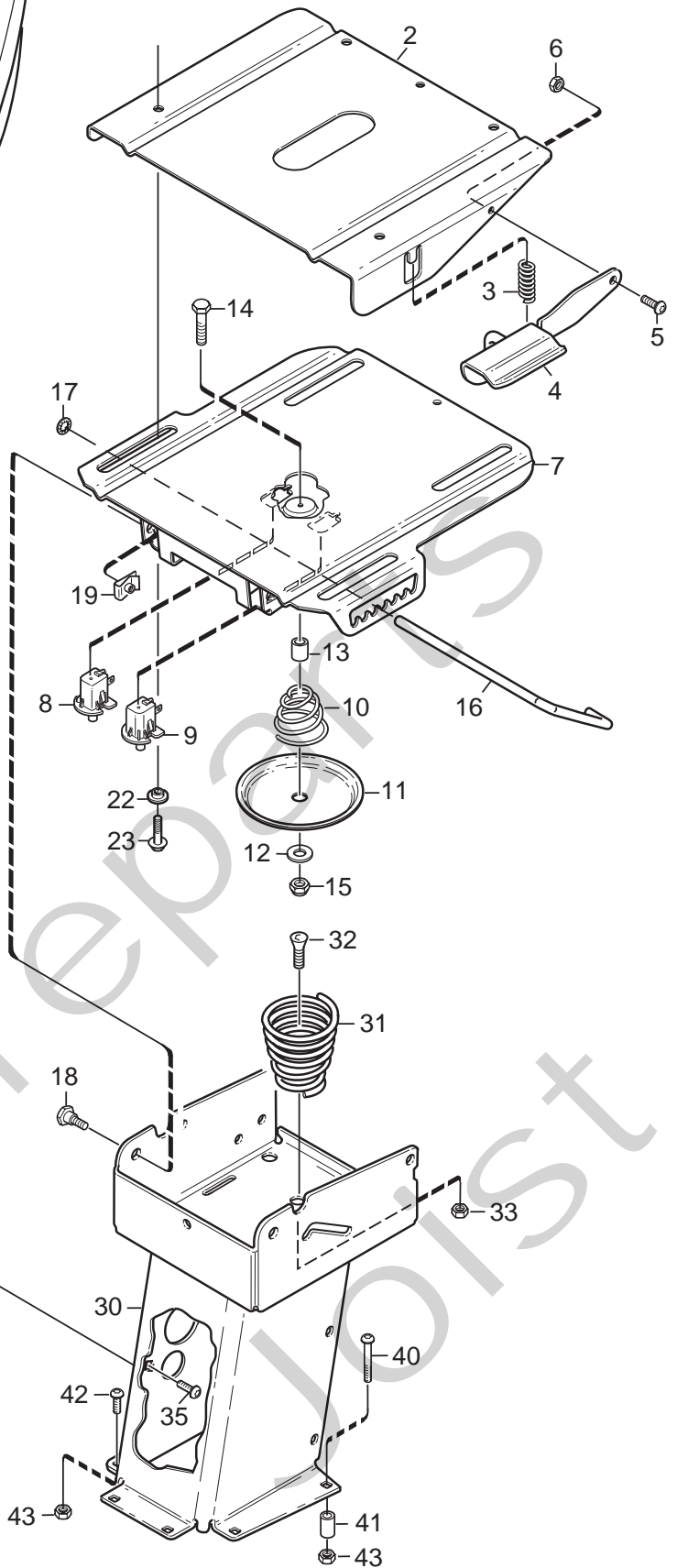


Utgåva Issue 2008- 11		Bildnr Picture No 2018B		PARK 2WD DIESEL RAM		PARK 2WD DIESEL FRAME		Sida Page 58	
Pos. Fig.	Antal/Quantity				Art nr Part No	Benämning	Description	Sats Kit	Anmärkning Notes
	6180								
1	1				1134-5315-03	Ram- främre	Frame- front		
2	1				1134-3963-02	• Midjegaffel	• Clevis		
3	1				1134-0031-00	• Ledaxelstopp	• Pivot shaft stop		
4	1				9595-0262-00	• Spännstift	• Locating pin		
5	1				1134-2171-01	Fjäder.....	Spring		
6	2				9501-0500-00	Smörjnippel	Grease joint.....		
7	1				1134-6046-01	Ram- bakre	Frame- rear.....		
8	1				1134-5705-01	• Distans	• Spacer		
9	2				9547-0001-00	• Ledlager.....	• Bearing.....		
10	2				9501-0500-00	• Smörjnippel	• Grease joint.....		
11	1				1134-5988-01	Centrumaxel	Centre shaft.....		
13	2				9699-0035-02	Planbricka.....	Flat washer.....		
14	2				9959-1025-16	Skruv.....	Screw.....		
15	2				9403-0048-70	Täckpropp	Plug		
16	1				1134-5294-01	Durk.....	Floor plate.....		
17	1				1134-6372-04	Durkmatta.....	Floor mat.....		
18	2				9893-0616-16	Skruv.....	Screw.....		
19	1				1134-5944-01	Tankhylla.....	Tank shelf.....		
20	2				9945-0816-16	Skruv.....	Screw.....		
21	2				9959-0820-16	Skruv.....	Screw.....		
22	2				9739-0831-22	Mutter.....	Nut.....		
24	1				1134-5676-01	Stötfångare.....	Bumper.....		
25	2				1134-4100-01	Täckpropp	Plug		
26	2				1134-0240-00	Ansatsskruv.....	Shoulder screw.....		
27	2				1134-4242-01	Distansbricka.....	Spacer washer.....		
28	2				9665-0002-00	Brickfjäder	Bowed washer.....		
29	2				9747-0831-02	Mutter.....	Lock nut.....		
30	2				9943-0516-16	Skruv.....	Screw.....		
40	1				1134-6037-01	Motorstag.....	Engine support.....		
41	1				1134-4918-01	Motorstag- fram.....	Engine support- front.....		
42	4				9997-1011-06	Skruv.....	Screw.....		
43	4				9699-0030-02	Planbricka.....	Flat washer.....		
44	4				1111-2453-01	Isolering	Grommet.....		
45	4				1134-4919-01	Distans	Spacer.....		
46	4				9739-1031-22	Mutter.....	Nut.....		
47	4				1134-4915-01	Stödkopp.....	Support cup.....		
48	4				1134-4920-01	Dämpement	Vibration absorber.....		
49A	2				1134-0041-03	Hylsa	Collar		L = 55 mm
49B	2				1134-6887-01	Hylsa	Collar		L = 51,2 mm
50	4				9731-1031-22	Mutter.....	Nut.....		

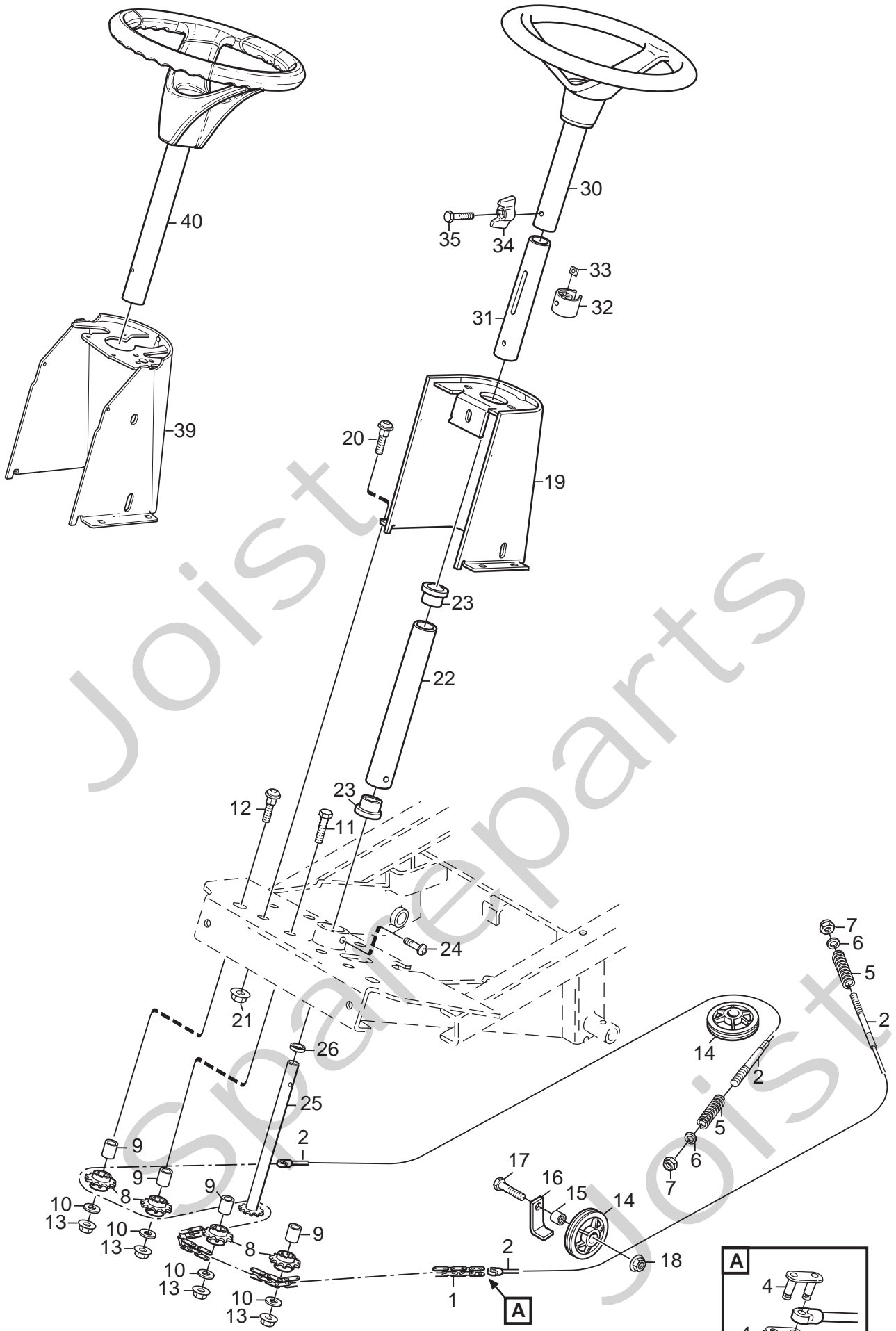
X



Utgåva Issue		Bildnr Picture No		PARK 2WD PEDALLYFT		PARK 2WD PEDAL LIFT		Sida Page	
2008- 11		1023D						60	
Pos. Fig.	Antal/Quantity			Art nr Part No	Benämning	Description	Sats Kit	Anmärkning Notes	
	6141 6142 6144 6179	6182 6183 6184 6189	6180 6193 6195						
1	1	1	1	1134-4117-01	Fäste	Bracket			
2	2	2	2	1134-2684-01	Lager	Bearing			
3	1	1	1	1134-4945-01	Lyftspärr kpl	Lift catch assy			
7	1	1	1	9404-0027-01	• O- ring	• O- ring			
8	1	1	1	9650-0039-04	• Seegersäkring	• Lock ring			
9	1	1	1	9595-0276-01	• Spännstift	• Locating pin			
10	1	1	1	9997-0640-12	• Skruv	• Screw			
11	1	1	1	9747-0631-02	• Låsmutter	• Lock nut			
13	1	1	1	9897-0820-16	• Skruv	• Screw			
14	1	1	1	9747-0831-02	Mutter	Lock nut			
15	1	1	1	1134-4860-01	Lyftgaffel	Lift fork			
16	2	2	2	1134-0240-00	Ansatsskruv	Shoulder screw			
17	1	1	1	1134-4938-01	Lyftpedal	Lift pedal			
18	2	2	2	9997-0625-16	Skruv	Screw			
19	2	2	2	9739-0631-22	Mutter	Nut			
20	1	1	1	4231-0013-00	Fjäder	Spring			



Utgåva Issue		Bildnr Picture No		PARK 2WD SITS		PARK 2WD SEAT		Sida Page	
2008- 11		2019A						62	
Pos. Fig.	Antal/Quantity				Art nr Part No	Benämning	Description	Sats Kit	Anmärkning Notes
	6141 6142 6144 6179	6182 6183 6184 6189	6180	6193 6195					
1	1	1	1	1	1134-6444-01	Sits	Seat		
2	1	1	1	1	1134-6090-01	Glidplatta	Slide plate		
3	1	1	1	1	1134-3262-01	Tryckfjäder	Compression spring		
4	1	1	1	1	1134-6073-01	Handtag	Handle		
5	1	1	1	1	9893-0616-16	Skruv	Screw		
6	1	1	1	1	9747-0631-02	Låsmutter	Lock nut		
7	1	1	1	1	1134-6068-01	Glidplatta- undre	Slide plate-lower		
8	1	1	2	1	1134-3156-01	Brytare (svart)	Switch (black)		
9	1	1	1	1	1134-3156-02	Brytare (grå)	Switch (grey)		
10	1	1	1	1	1134-5302-01	Fjäder	Spring		
11	1	1	1	1	1134-5299-01	Tryckplatta	Push plate		
12	1	1	1	1	9699-0090-02	Planbricka	Flat washer		
13	1	1	1	1	1134-1565-06	Distans	Spacer		
14	1	1	1	1	9997-0840-16	Skruv	Screw		
15	1	1	1	1	9747-0831-02	Mutter	Lock nut		
16	1	1	1	1	1134-5179-01	Spärr	Catch		
17	1	1	1	1	9675-0012-02	Starlock	Locking washer		
18	2	2	2	2	1134-0240-00	Ansatsskruv	Shoulder screw		
19	2	2	2	2	1134-4620-01	Fjädermutter	Spring nut		
22	4	4	4	4	1134-6078-01	Ansatsbricka	Flange washer		
23	4	4	4	4	9959-0820-16	Skruv	Screw		
30	1	1	1	1	1134-5698-01	Sitskonsol	Seat bracket		
31	1	1	1	1	1134-4256-01	Sitsfjäder	Seat spring		
32	1	1	1	1	9924-1235-19	Skruv	Screw		
33	1	1	1	1	9747-1231-02	Låsmutter	Lock nut		
34	1	1	1	1	1134-3990-01	Armsvep	Attachment-side panel		
35	2	2	2	2	9897-0820-16	Skruv	Screw		
36	2	2	2	2	9739-0831-22	Mutter	Nut		
37	1	1	1	1	1134-4130-01	Lock- undre	Cover-lower		
38	4	4	4	4	9840-8019-16	Skruv	Screw		
40	2	2	2	2	9897-0880-12	Skruv	Screw		
41	2	2	2	2	1134-1565-08	Distans	Spacer		
42	4	4	4	4	9897-0820-16	Skruv	Screw		
43	6	6	6	6	9747-0831-02	Mutter	Lock nut		

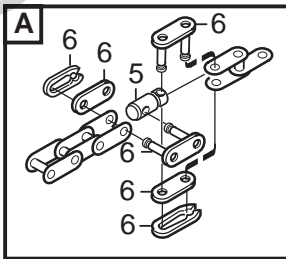
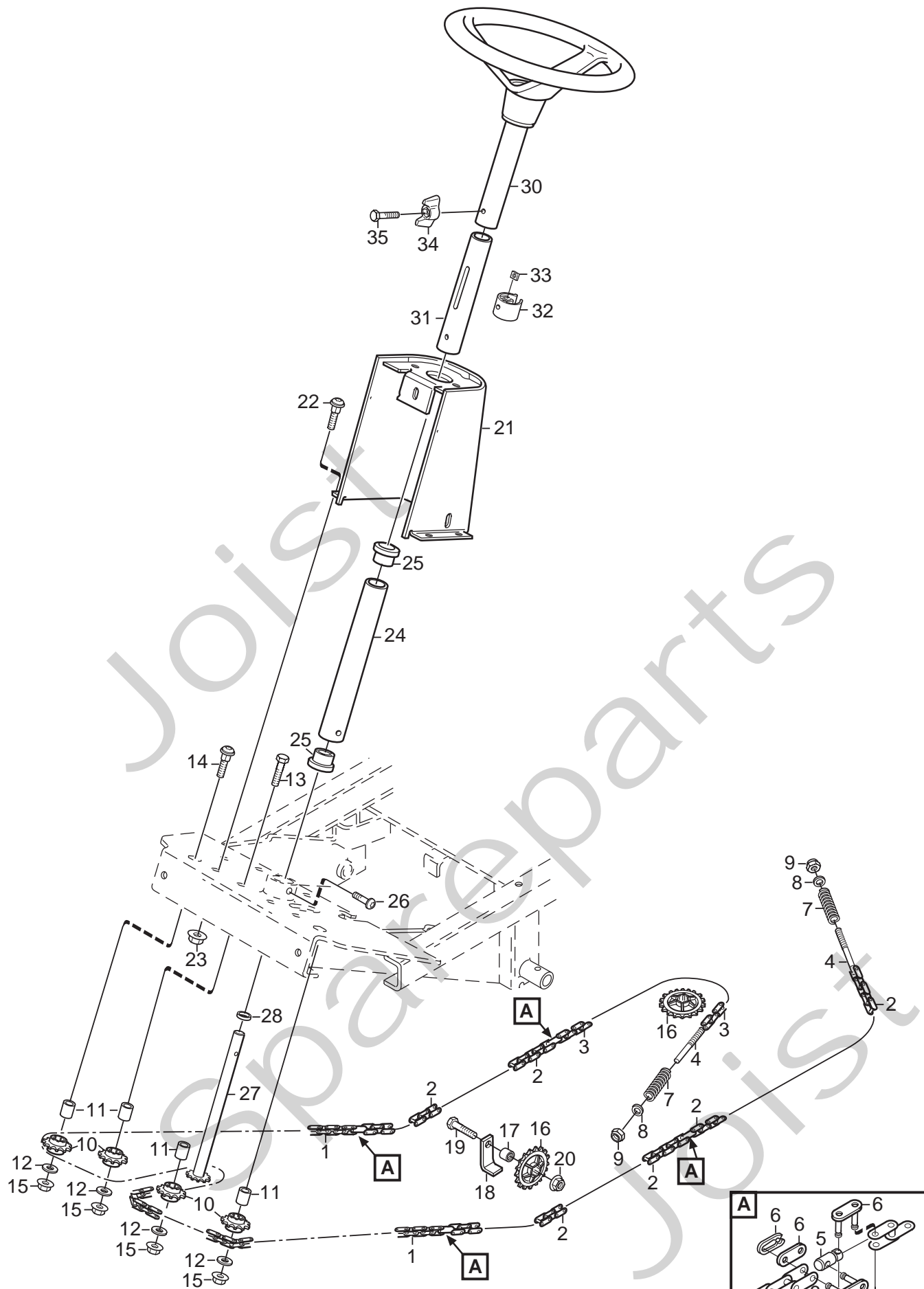


Utgåva Issue 2008- 11		Bildnr Picture No 2406		PARK 2WD PRESIDENT- SILENT 14 STYRNING		PARK 2WD PRESIDENT- SILENT 14 STEERING		Sida Page 64	
Pos. Fig.	Antal/Quantity			Art nr Part No	Benämning	Description	Sats Kit	Anmärkning Notes	
	6184	6144							
1	1	1		1134- 6374- 06	Kedja	Chain.....		83 länk Sats vä+hö/kit L+H	
2	1	1		1134- 9084- 01	Styrwire kpl (vä+hö)	Steering cable assy			
4	2	2		1134- 2824- 02	Kedjelås	Chain lock			
5	2	2		1134- 3817- 01	Tryckfjäder	Compression spring.....			
6	2	2		9699- 0090- 02	Planbricka.....	Flat washer.....			
7	2	2		9747- 0831- 02	Mutter.....	Lock nut.....			
8	4	4		1134- 2816- 01	Kedjehjul.....	Sprocket.....			
9	4	4		1134- 0041- 02	Linhjulshylsa	Idler wheel bush.....			
10	4	4		9699- 0035- 02	Planbricka.....	Flat washer.....			
11	2	2		9997- 1050- 16	Skruv	Screw			
12	2	2		9897- 1040- 12	Skruv	Screw			
13	4	4		9739- 1031- 22	Mutter.....	Nut			
14	2	2		1134- 9025- 01	Linhjul- sats	Steering pulley- kit		Sats 2 st/kit of 2	
15	2	2		1134- 0041- 01	Linhjulshylsa	Bushing			
16	2	2		1134- 0046- 00	Linhållare.....	Wire clamp.....			
17	2	2		9997- 1030- 16	Skruv	Screw			
18	2	2		9739- 1031- 22	Mutter.....	Nut			
19	1			1134- 4120- 03	Styrkonsol	Steering console			
20	4	4		9897- 0820- 16	Skruv	Screw			
21	4	4		9739- 0831- 22	Mutter.....	Nut			
22	1			1134- 1305- 03	Rattrör- nedre	Steering column- lower			
22		1		1134- 1305- 05	Rattrör- nedre	Steering column- lower			
23	2	2		1134- 1901- 01	Lager	Bearing.....			
24	2	2		9893- 0616- 16	Skruv	Screw			
25	1			1134- 2821- 01	Rattstång	Steering rod			
25		1		1134- 2821- 03	Rattstång	Steering rod			
26	1	1		1134- 2837- 01	Distans	Spacer			
30	1			1134- 5173- 01	Ratt.....	Steering wheel			
31	1			1134- 5216- 01	Rattrör- inre kpl	Steering tube- inner.....			
32	1			1134- 5177- 01	• Slid	• Slide.....			
33	1			9710- 0631- 12	• Fyrkantmutter	• Square nut			
34	1			1134- 4481- 02	Vingmutter.....	Wing nut			
35	1			9997- 0630- 12	Skruv	Screw			
39		1		1134- 5349- 01	Styrkonsol- gul	Steering console- yel.....			
40		1		1134- 5496- 01	Ratt.....	Steering wheel			

X

Utgåva Issue 2008- 11		Bildnr Picture No 2407		PARK 2WD UNLIMITED STYRNING		PARK 2WD UNLIMITED STEERING		Sida Page 66	
Pos. Fig.	Antal/Quantity				Art nr Part No	Benämning	Description	Sats Kit	Anmärkning Notes
	6141	6142							
1	1				1134-6374-10	Kedja	Chain.....		129 länk Sats vä+hö/kit L+R
3	1				1134-9099-01	Styrwire kpl (vä+hö)	Steering cable assy		
7	4				1134-2824-02	Kedjelås	Chain lock		
8	2				1134-5652-01	Fäste	Attachment.....		
9	4				1134-5651-01	Bygel	Bracket.....		
10	2				1134-2816-01	Kedjehjul.....	Sprocket.....		
11	2				1134-0041-02	Linhjulshylsa	Idler wheel bush.....		
12	2				1134-4817-01	Kolvstängssprint.....	Pin		
13	2				9699-0035-02	Planbricka.....	Flat washer.....		
14	2				9599-0054-02	Saxpinne.....	Cotter pin		
15	2				1134-3817-01	Tryckfjäder.....	Compression spring.....		
16	2				9699-0090-02	Planbricka.....	Flat washer.....		
17	2				9747-0831-02	Mutter.....	Lock nut		
18	4				1134-2816-01	Kedjehjul.....	Sprocket.....		
19	4				1134-5653-01	Distans	Spacer.....		
20	2				9699-0035-02	Planbricka.....	Flat washer.....		
21	2				9997-1060-12	Skruv	Screw.....		
22	2				9739-1031-22	Mutter.....	Nut		
23	2				9897-1060-12	Skruv	Screw.....		
24	2				9731-1031-22	Mutter.....	Nut		
25	2				1134-9025-01	Linhjul- sats	Steering pulley- kit		Sats 2 st/kit of 2
26	2				1134-0041-01	Linhjulshylsa	Bushing.....		
27	2				1134-0046-00	Linhållare	Wire clamp.....		
28	2				9997-1040-16	Skruv	Screw.....		
29	2				9699-0035-02	Planbricka.....	Flat washer.....		
30	2				9739-1031-22	Mutter.....	Nut		
31	1				1134-4120-03	Styrkonsol	Steering console		
32	4				9897-0820-16	Skruv	Screw.....		
33	4				9739-0831-22	Mutter.....	Nut		
34	1				1134-1305-03	Rattrör- nedre	Steering column- lower		
35	2				1134-1901-01	Lager	Bearing.....		
36	1				1134-2821-04	Rattstång	Steering rod		
41	2				9893-0616-16	Skruv	Screw.....		
42	1				1134-2837-03	Distans	Spacer.....		
52	1				1134-5173-02	Ratt kpl.....	Steering wheel assy		
53	1				1134-3769-01	• Styrknopp kpl	• Steering wheel button		
54	1				1134-3752-01	•• Knoppfäste.....	•• Knob holder.....		
55	1				9997-0870-16	•• Skruv	•• Screw		
56	1				1134-1565-06	•• Distans.....	•• Spacer		
57	3				9699-0090-02	•• Planbricka.....	•• Flat washer		
58	1				9747-0831-02	•• Mutter.....	•• Lock nut		
59	1				9403-0043-70	•• Plugg	•• Plug.....		
60	1				9403-0113-00	•• Mutterhatt.....	•• Nut cap		
63	1				1134-5216-01	Rattrör- inre kpl	Steering tube- inner.....		
64	1				1134-5177-01	• Slid	• Slide		
65	1				9710-0631-12	• Fyrkantmutter	• Square nut		
66	1				1134-4481-02	Vingmutter.....	Wing nut		
67	1				9997-0630-12	Skruv	Screw.....		

X

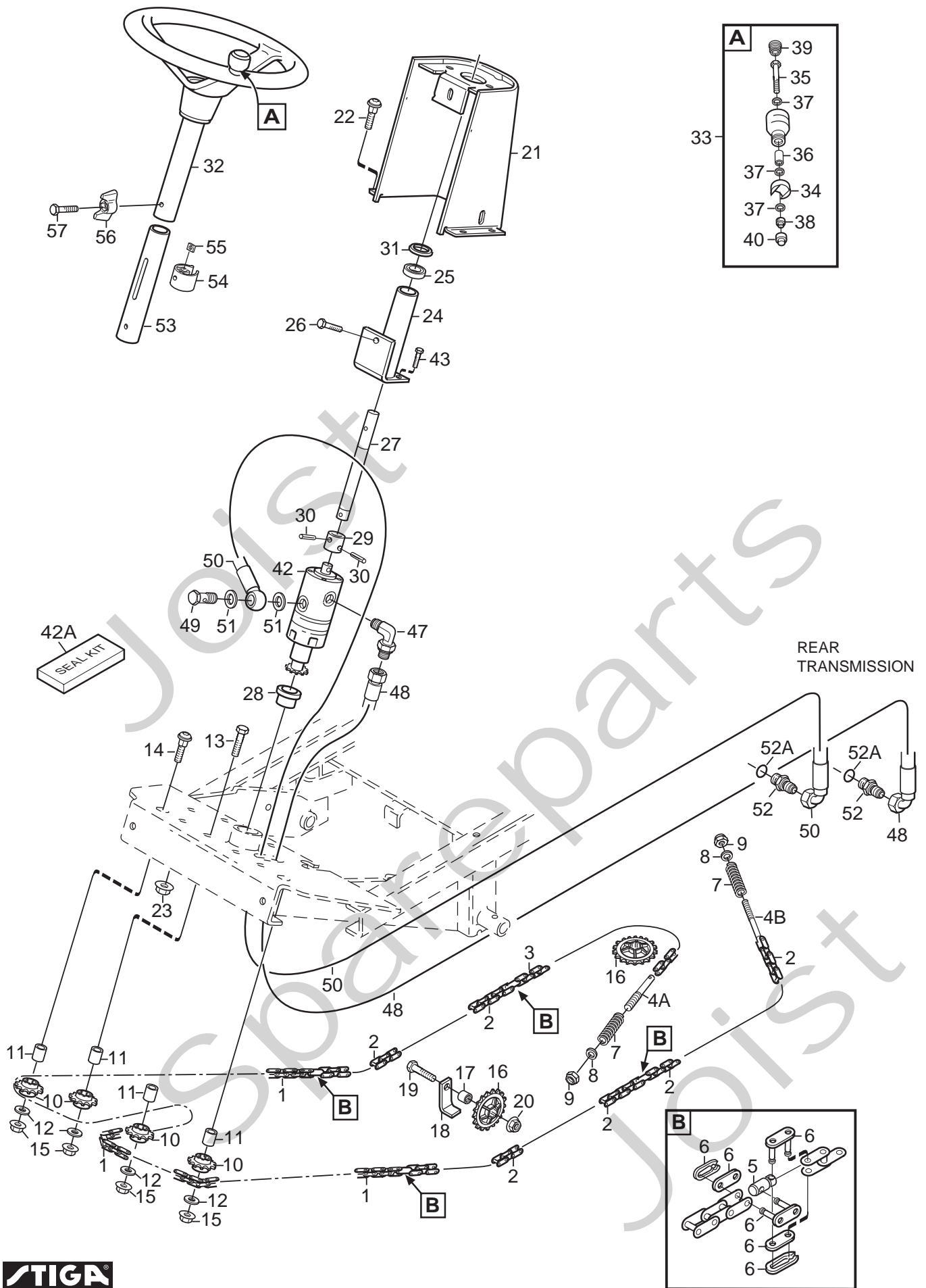


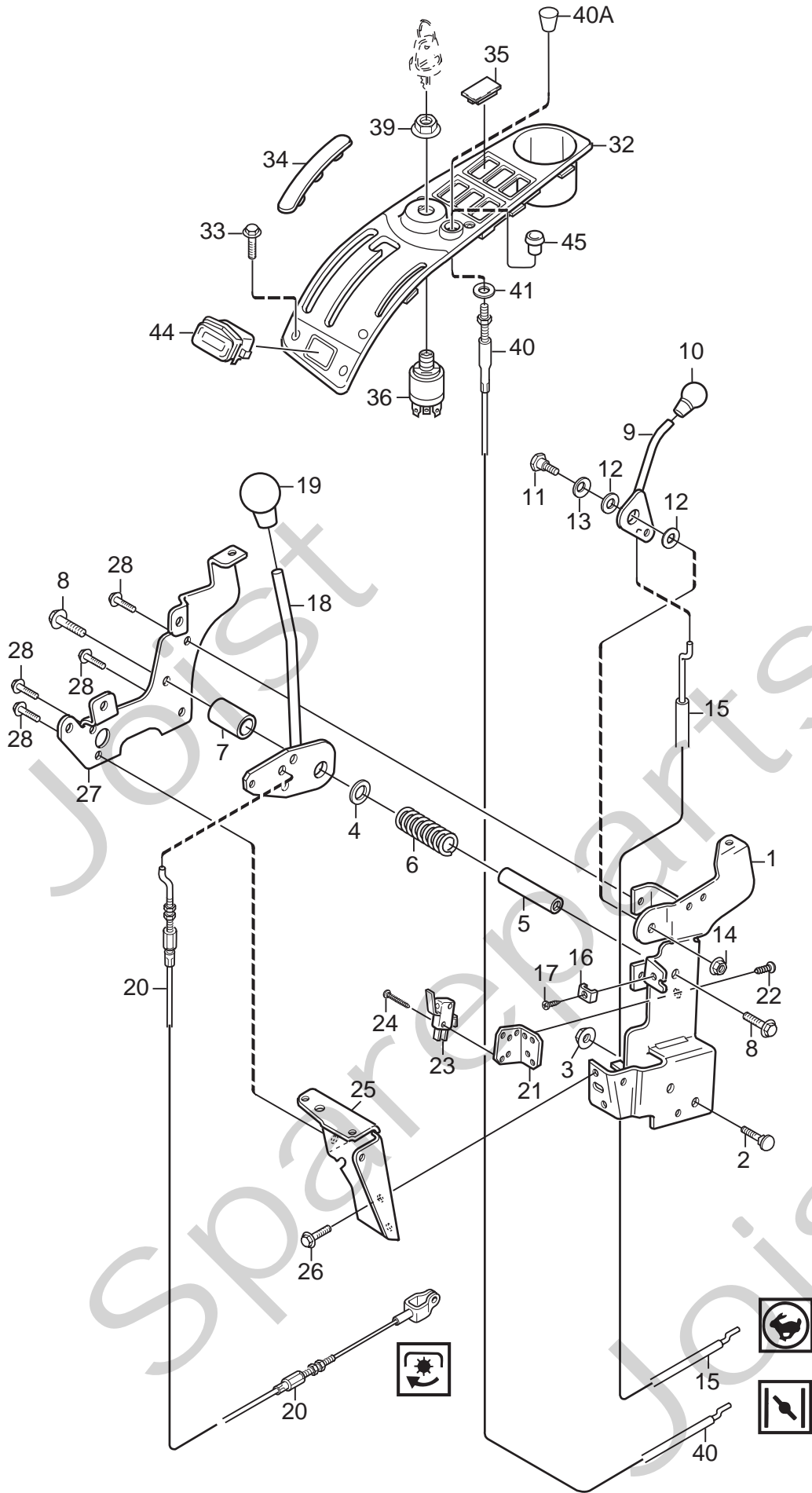
Utgåva Issue 2008- 11		Bildnr Picture No 1025C		PARK 2WD FAIRWAY STYRNING		PARK 2WD FAIRWAY STEERING		Sida Page 68	
Pos. Fig.	Antal/Quantity				Art nr Part No	Benämning	Description	Sats Kit	Anmärkning Notes
	6195								
1	1				1134- 6374- 06	Kedja	Chain		83 länk
2	3				1134- 6374- 02	Kedja	Chain		41 länk
3	1				1134- 6374- 04	Kedja	Chain		45 länk
4	2				1134- 3550- 01	Ändnippel	End nipple		
5	4				1134- 3565- 01	Skarvnippel.....	Connection nipple		
6	10				1134- 2824- 02	Kedjelås	Chain lock		
7	2				1134- 3817- 01	Tryckfjäder.....	Compression spring.....		
8	2				9699- 0090- 02	Planbricka.....	Flat washer.....		
9	2				9747- 0831- 02	Mutter.....	Lock nut.....		
10	4				1134- 2816- 01	Kedjehjul.....	Sprocket.....		
11	4				1134- 0041- 02	Linhjulshylsa	Idler wheel bush.....		
12	4				9699- 0035- 02	Planbricka.....	Flat washer.....		
13	2				9997- 1050- 16	Skruv	Screw		
14	2				9897- 1040- 12	Skruv	Screw		
15	4				9739- 1031- 22	Mutter.....	Nut		
16	3				1134- 3547- 01	Kedjehjul.....	Sprocket.....		
17	2				1134- 0041- 01	Linhjulshylsa	Bushing.....		
18	2				1134- 0046- 00	Linhållare.....	Wire clamp.....		
19	2				9997- 1030- 16	Skruv	Screw		
20	2				9739- 1031- 22	Mutter.....	Nut		
21	1				1134- 4120- 04	Styrkonsol	Steering console		
22	4				9897- 0820- 16	Skruv	Screw		
23	4				9739- 0831- 22	Mutter.....	Nut		
24	1				1134- 1305- 03	Rattrör- nedre	Steering column- lower		
25	2				1134- 1901- 01	Lager	Bearing.....		
26	2				9893- 0616- 16	Skruv	Screw		
27	1				1134- 2821- 01	Rattstång	Steering rod		
28	1				1134- 2837- 01	Distans	Spacer		
30	1				1134- 5173- 01	Ratt.....	Steering wheel		
31	1				1134- 5216- 01	Rattrör- inre kpl	Steering tube- inner.....		
32	1				1134- 5177- 01	• Slid	• Slide.....		
33	1				9710- 0631- 12	• Fyrkantmutter	• Square nut		
34	1				1134- 4481- 02	Vingmutter.....	Wing nut		
35	1				9997- 0630- 12	Skruv	Screw		

X

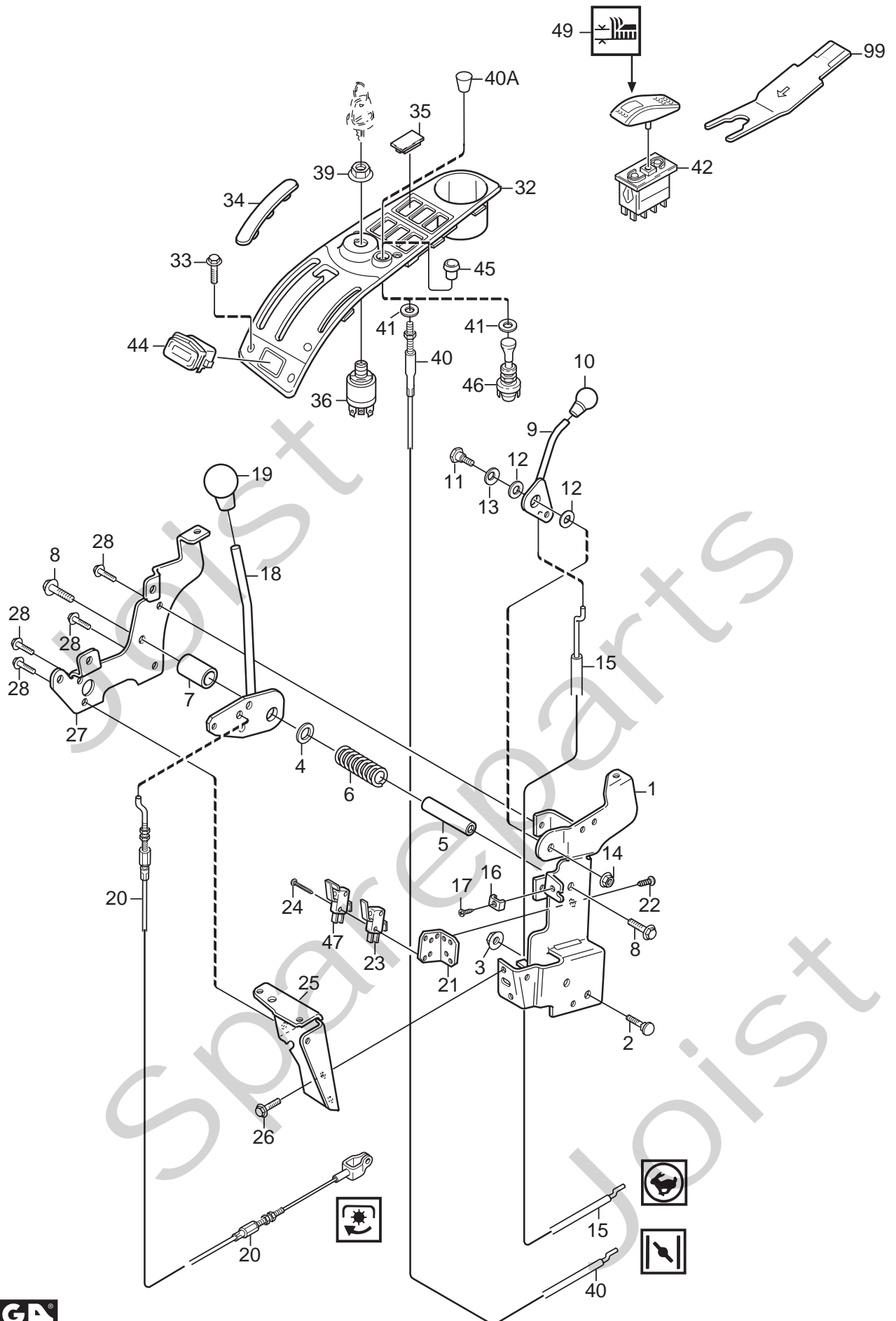
Utgåva Issue 2008- 11		Bildnr Picture No 1787A		PARK 2WD COMFORT- ROYAL- DIESEL EXCELLENT STYRNING		PARK 2WD COMFORT- ROYAL- DIESEL EXCELLENT STEERING		Sida Page 70	
Pos. Fig.	Antal/Quantity				Art nr Part No	Benämning	Description	Sats Kit	Anmärkning Notes
	6180 6182 6183	6189							
1	1	1			1134- 6374- 10	Kedja	Chain		129 länk
2	2	2			1134- 6374- 09	Kedja	Chain		35 länk
3	1	1			1134- 6374- 02	Kedja	Chain		41 länk
4	1	1			1134- 6374- 05	Kedja	Chain		47 länk
5A	1	1			1134- 3550- 01	Ändnippel	End nipple		L = 110 mm
5B	1	1			1134- 3550- 02	Ändnippel	End nipple		L = 90 mm
6	4	4			1134- 3565- 01	Skarvnippel	Connection nipple		
7	12	12			1134- 2824- 02	Kedjelås	Chain lock		
8	2	2			1134- 5652- 01	Fäste	Attachment		
9	4	4			1134- 5651- 01	Bygel	Bracket		
10	2	2			1134- 2816- 01	Kedjehjul	Sprocket		
11	2	2			1134- 0041- 02	Linhjulshylsa	Idler wheel bush		
12	2	2			1134- 4817- 01	Kolvstängssprint	Pin		
13	2	2			9699- 0035- 02	Planbricka	Flat washer		
14	2	2			9599- 0054- 02	Saxpinne	Cotter pin		
15A	1	1			1134- 3817- 01	Tryckfjäder	Compression spring		L = 58 mm
15B	1	1			1134- 3817- 02	Tryckfjäder	Compression spring		L = 33 mm
16	2	2			9699- 0090- 02	Planbricka	Flat washer		
17	2	2			9747- 0831- 02	Mutter	Lock nut		
18	4	4			1134- 2816- 01	Kedjehjul	Sprocket		
19	4	4			1134- 5653- 01	Distans	Spacer		
20	2	2			9699- 0035- 02	Planbricka	Flat washer		
21	2	2			9997- 1060- 12	Skruv	Screw		
22	2	2			9739- 1031- 22	Mutter	Nut		
23	2	2			9897- 1060- 12	Skruv	Screw		
24	2	2			9731- 1031- 22	Mutter	Nut		
25	3	3			1134- 3547- 01	Kedjehjul	Sprocket		
26	2	2			1134- 0041- 01	Linhjulshylsa	Bushing		
27	2	2			1134- 0046- 00	Linhållare	Wire clamp		
28	2	2			9997- 1040- 16	Skruv	Screw		
29	2	2			9699- 0035- 02	Planbricka	Flat washer		
30	2	2			9739- 1031- 22	Mutter	Nut		
31	1	1			1134- 4120- 04	Styrkonsol	Steering console		
32	4	4			9897- 0820- 16	Skruv	Screw		
33	4	4			9739- 0831- 22	Mutter	Nut		
34	1	1			1134- 1305- 03	Rattrör- nedre	Steering column- lower		
35	2	2			1134- 1901- 01	Lager	Bearing		
36	1	1			1134- 2821- 04	Rattstäng	Steering rod		
41	2	2			9893- 0616- 16	Skruv	Screw		
42	1	1			1134- 2837- 03	Distans	Spacer		
52		1			1134- 5173- 01	Ratt	Steering wheel		
52	1				1134- 5173- 02	Ratt kpl	Steering wheel assy		
53	1				1134- 3769- 01	• Styrknopp kpl	• Steering wheel button		
54	1				1134- 3752- 01	•• Knoppfäste	•• Knob holder		
55	1				9997- 0870- 16	•• Skruv	•• Screw		
56	1				1134- 1565- 06	•• Distans	•• Spacer		
57	3				9699- 0090- 02	•• Planbricka	•• Flat washer		
58	1				9747- 0831- 02	•• Mutter	•• Lock nut		
59	1				9403- 0043- 70	•• Plugg	•• Plug		
60	1				9403- 0113- 00	•• Mutterhatt	•• Nut cap		
63	1	1			1134- 5216- 01	Rattrör- inre kpl	Steering tube- inner		
64	1	1			1134- 5177- 01	• Slid	• Slide		
65	1	1			9710- 0631- 12	• Fyrkantmutter	• Square nut		
66	1	1			1134- 4481- 02	Vingmutter	Wing nut		
67	1	1			9997- 0630- 12	Skruv	Screw		

X

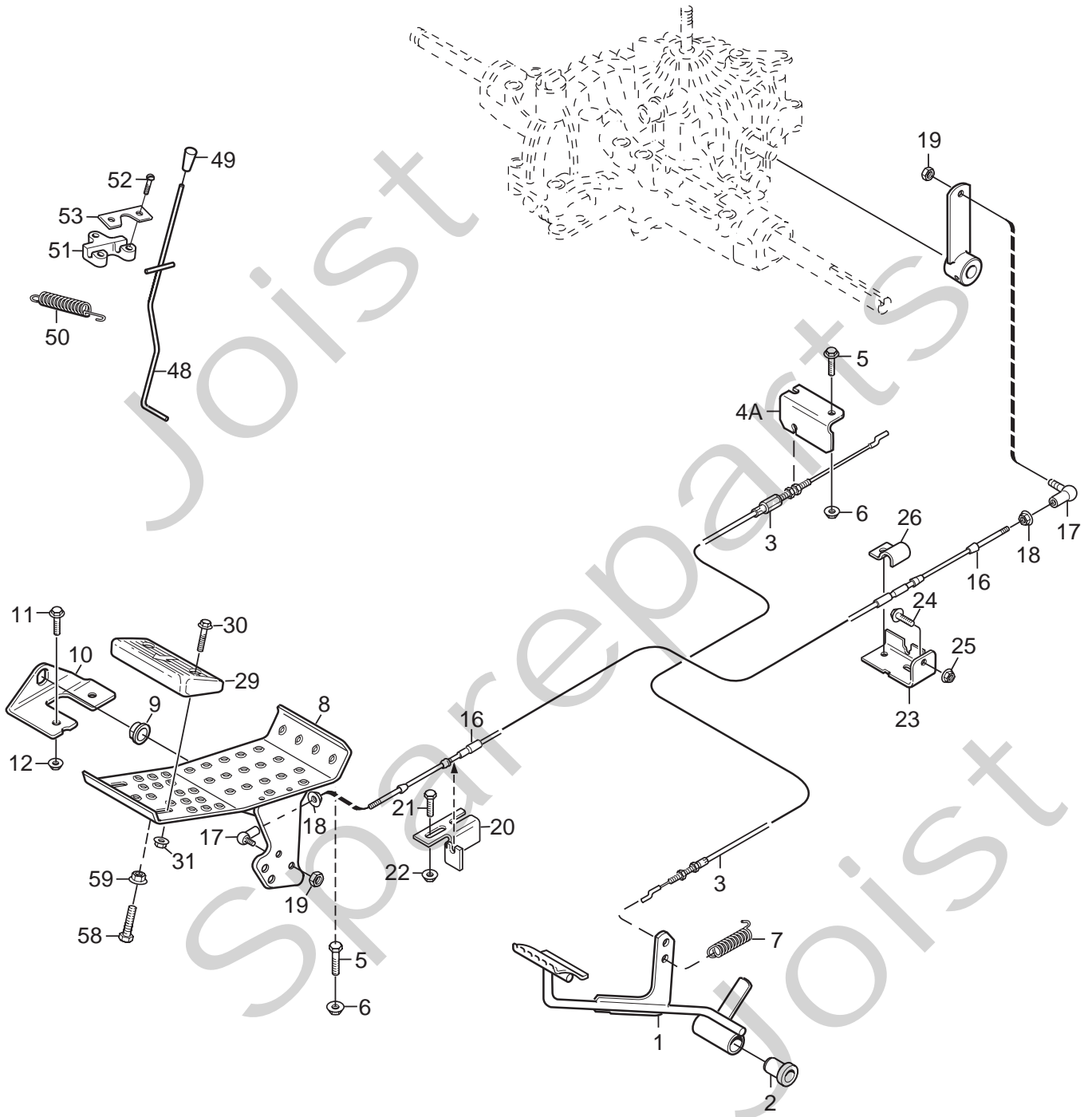
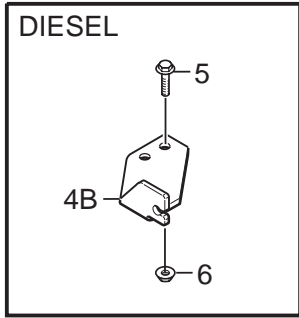




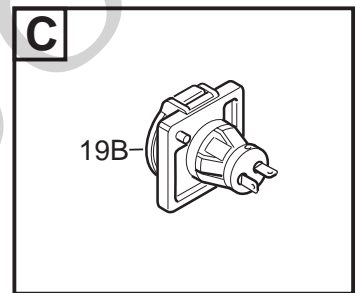
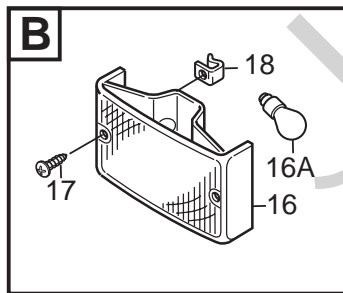
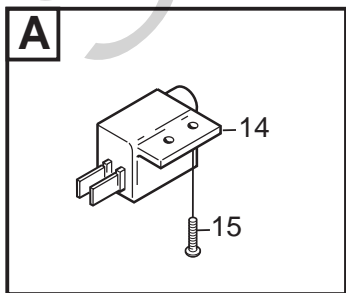
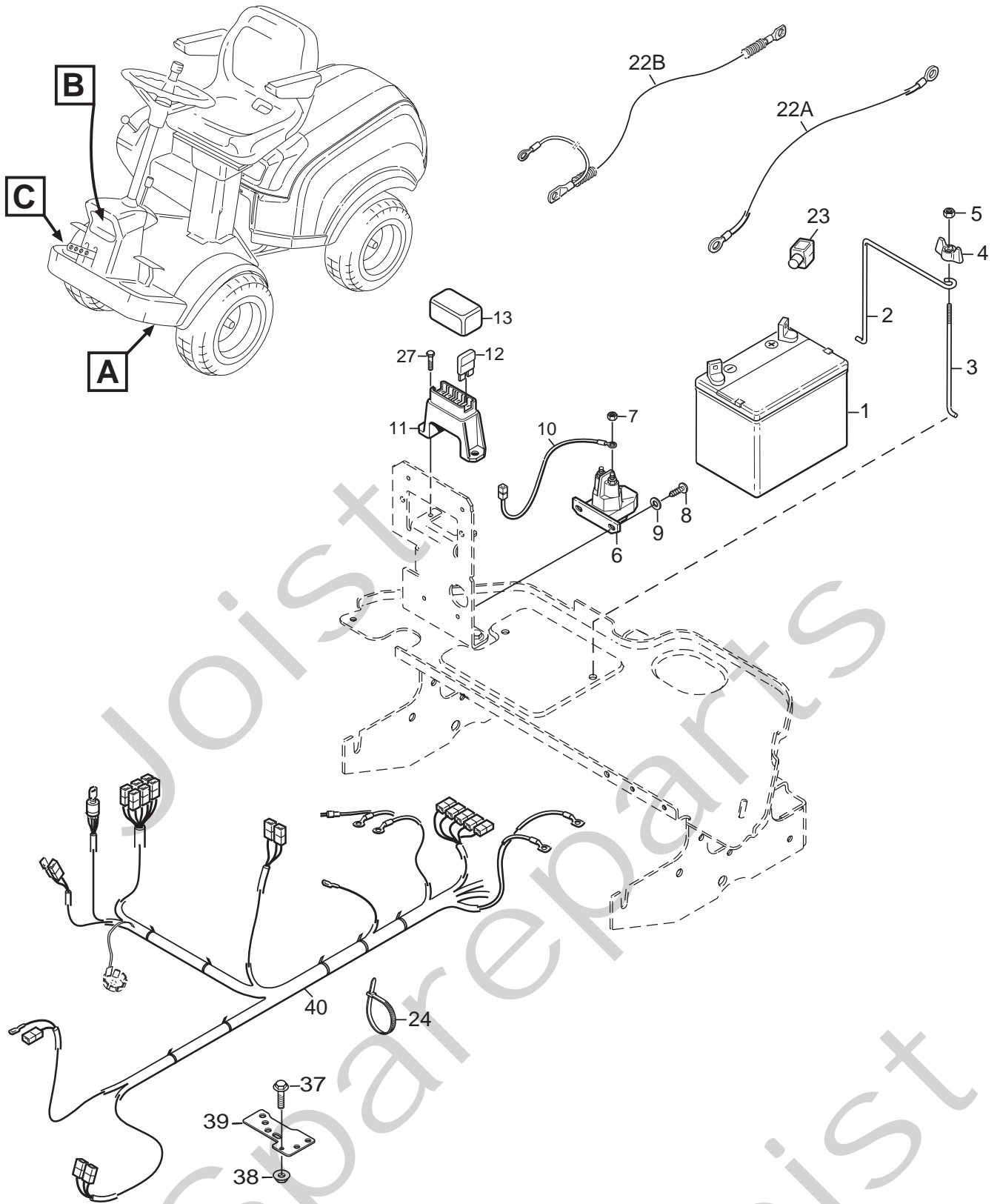
Utgåva Issue 2008- 11		Bildnr Picture No 1991E		PARK 2WD PRESIDENT- UNLIMITED SILENT- FAIRWAY HANDREGLAGE		PARK 2WD PRESIDENT- UNLIMITED SILENT- FAIRWAY HAND CONTROLS		Sida Page 74	
Pos. Fig.	Antal/Quantity				Art nr Part No	Benämning	Description	Sats Kit	Anmärkning Notes
	6141 6184	6142 6144	6195						
1	1	1	1		1134-4156-01	Vinkelhållare	Panel bracket- inner		
2	2	2	2		9897-0820-16	Skruv	Screw		
3	2	2	2		9739-0831-22	Mutter	Nut		
4	1	1	1		9695-0011-00	Bricka	Washer		
5	1	1	1		1134-4065-01	Reglageaxel	Control shaft		
6	1	1	1		1134-4079-01	Fjäder	Spring		
7	1	1	1		1134-4080-03	Reglagehylsa	Control sleeve		
8	2	2	2		9959-0820-16	Skruv	Screw		
9	1	1	1		1134-4077-01	Gasreglage	Throttle control		
10	1	1	1		1134-4078-01	Knopp	Knob		
11	1	1	1		1134-0240-00	Ansatsskruv	Shoulder screw		
12	2	2	2		1134-4242-01	Distansbricka	Spacer washer		
13	1	1	1		9694-0001-00	Fjäderbricka	Washer		
14	1	1	1		9747-0831-02	Mutter	Lock nut		
15		1			1134-4195-01	Gaswire	Throttle cable		L1 = 1413 mm
15			1		1134-4195-04	Gaswire	Throttle cable		L1 = 1070 mm
15	1				1134-4197-01	Gaswire	Throttle cable		L1 = 925 mm
16	1	1	1		9500-9991-00	Wireklämma	Cable clamp		
17	1	1	1		9943-0516-16	Skruv	Screw		
18	1	1	1		1134-4072-01	Aggregatspak	Control lever		
19	1	1	1		1134-2551-01	Reglageknopp	Knob		
20	1	1	1		1134-3573-03	Wire	PTO cable		
21	1	1	1		1134-5358-01	Brytarfäste	Switch bracket		
22	2	2	2		9852-8013-16	Skruv	Screw		
23	1	1	1		9400-0285-01	Microbrytare	Switch		
24	2	2	2		9840-7716-16	Skruv	Screw		L = 16 mm
25	1	1	1		1134-6328-01	Frontfäste	Panel bracket- front		
26	2	2	2		9893-0616-16	Skruv	Screw		
27	1	1	1		1134-6327-01	Frontplåt	Front plate		
28	4	4	4		9893-0616-16	Skruv	Screw		
32		1	1		1134-6096-02	Kassett	Dashboard		
32	1				1134-6096-05	Kassett	Dashboard		
33	4	4	4		9946-0525-16	Skruv	Screw		
34	1	1	1		1134-4154-01	Täckbricka	Cover		
35	6	6	6		1134-4129-01	Täckbricka	Cover		
36	1	1	1		1134-4093-01	Tändningslås	Ignition switch		
39	1	1	1		1134-4749-01	Mutter	Nut		
40		1			1134-2872-03	Chokereglage	Choke control		
40			1		1134-2872-05	Chokereglage	Choke control		
40A		1	1		1134-4338-01	• Reglageknopp	• Control knob		
41		1	1		9699-0090-02	Planbricka	Flat washer		
44	1	1	1		1134-6097-01	Timräknare	Hour meter		
45	1				1134-4100-01	Täckpropp	Plug		



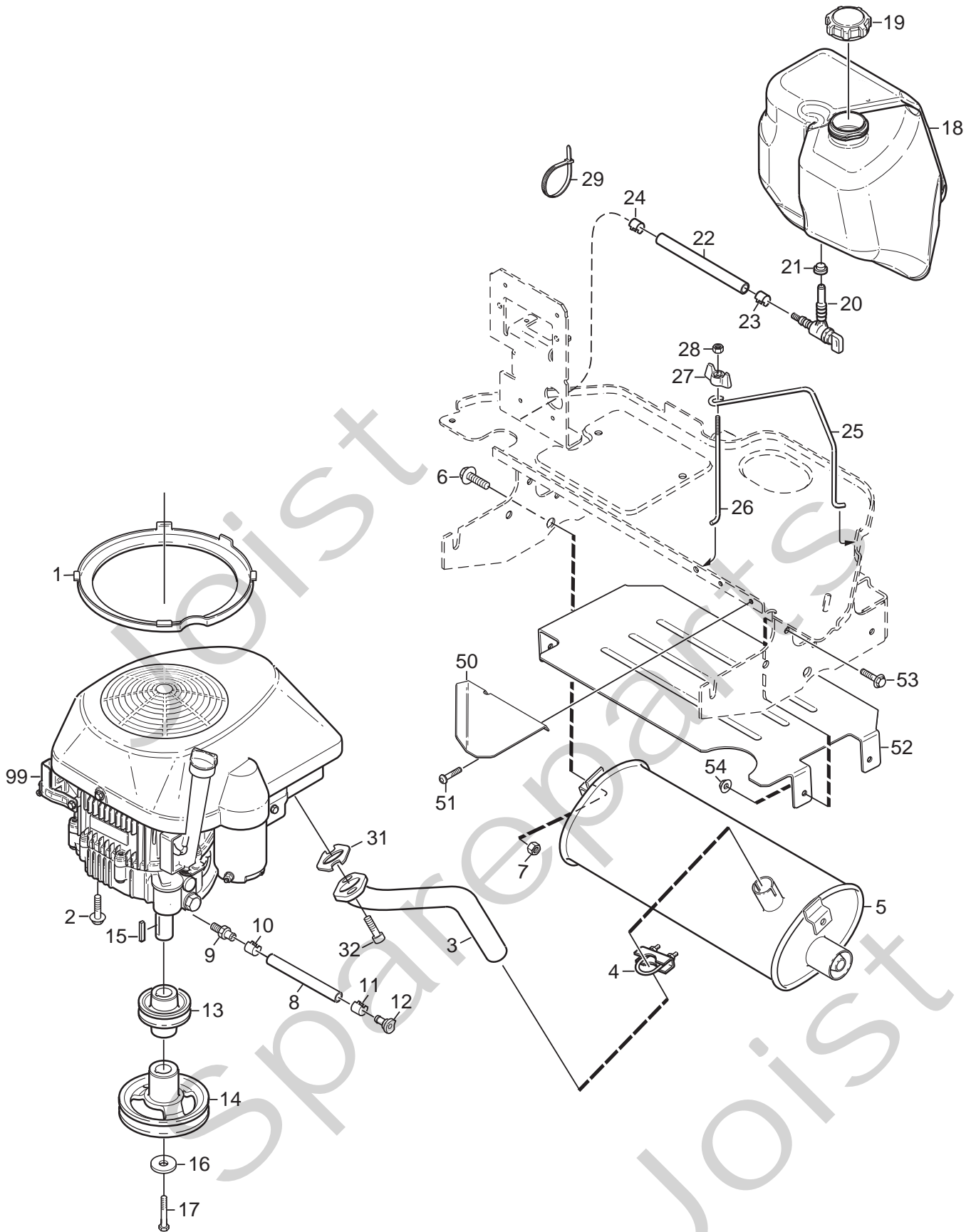
Utgåva Issue 2008- 11		Bildnr Picture No 1991C		PARK 2WD COMFORT- ROYAL- DIESEL RANGER- EXCELLENT HANDREGLAGE		PARK 2WD COMFORT- ROYAL- DIESEL RANGER- EXCELLENT HAND CONTROLS		Sida Page 76	
Pos. Fig.	Antal/Quantity				Art nr Part No	Benämning	Description	Sats Kit	Anmärkning Notes
	6179 6183	6182 6193	6180	6189					
1	1	1	1	1	1134-4156-01	Vinkelhållare	Panel bracket- inner		
2	2	2	2	2	9897-0820-16	Skruv	Screw		
3	2	2	2	2	9739-0831-22	Mutter	Nut		
4	1	1	1	1	9695-0011-00	Bricka	Washer		
5	1	1	1	1	1134-4065-01	Reglageaxel	Control shaft		
6	1	1	1	1	1134-4079-01	Fjäder	Spring		
7	1	1	1	1	1134-4080-03	Reglagehylsa	Control sleeve		
8	2	2	2	2	9959-0820-16	Skruv	Screw		
9	1	1	1	1	1134-4077-01	Gasreglage	Throttle control		
10	1	1	1	1	1134-4078-01	Knopp	Knob		
11	1	1	1	1	1134-0240-00	Ansattsskruv	Shoulder screw		
12	2	2	2	2	1134-4242-01	Distansbricka	Spacer washer		
13	1	1	1	1	9694-0001-00	Fjäderbricka	Washer		
14	1	1	1	1	9747-0831-02	Mutter	Lock nut		
15	1			1	1134-4195-01	Gaswire	Throttle cable		L1 = 1413 mm
15		1			1134-4197-01	Gaswire	Throttle cable		L1 = 925 mm
15			1		1134-4923-01	Gaswire	Throttle cable		L1 = 880 mm
16	1	1	1	1	9500-9991-00	Wireklämma	Cable clamp		
17	1	1	1	1	9943-0516-16	Skruv	Screw		
18	1	1	1	1	1134-4072-01	Aggregatspak	Control lever		
19	1	1	1	1	1134-2551-01	Reglageknopp	Knob		
20	1	1	1	1	1134-3573-03	Wire	PTO cable		
21	1	1	1	1	1134-5358-01	Brytarfäste	Switch bracket		
22	2	2	2	2	9852-8013-16	Skruv	Screw		
23	1	1	1	1	9400-0285-01	Microbrytare	Switch		
24	2	2	2	2	9840-7716-16	Skruv	Screw		L = 16 mm
24			2		9847-7732-16	Skruv	Screw		L = 32 mm
25	1	1	1	1	1134-6328-01	Frontfäste	Panel bracket- front		
26	2	2	2	2	9893-0616-16	Skruv	Screw		
27	1	1	1	1	1134-6327-01	Frontplåt	Front plate		
28	4	4	4	4	9893-0616-16	Skruv	Screw		
32	1		1	1	1134-6096-02	Kassett	Dashboard		
32		1			1134-6096-05	Kassett	Dashboard		
33	4	4	4	4	9946-0525-16	Skruv	Screw		
34	1	1	1	1	1134-4154-01	Täckbricka	Cover		
35	5	5	5	5	1134-4129-01	Täckbricka	Cover		
36	1	1		1	1134-4093-01	Tändningslås	Ignition switch		
36			1		1134-4908-01	Tändningslås	Ignition switch		
39	1	1		1	1134-4749-01	Mutter	Nut		
40				1	1134-2872-02	Chokereglage	Choke control		
40	1				1134-2872-03	Chokereglage	Choke control		
40A	1			1	1134-4338-01	Reglageknopp	Control knob		
41	1		1	1	9699-0090-02	Planbricka	Flat washer		
42	1	1	1	1	9400-0282-01	Brytare m.diod	Switch w.diode		
44	1	1	1	1	1134-6097-01	Timräknare	Hour meter		
45		1			1134-4100-01	Täckpropp	Plug		
46			1		9400-0296-01	Dragströmbrytare	Switch		
47			1		1134-4697-02	Mikrobrytare	Switch		
49	1	1	1	1	9400-0280-03	Vippa- höjinställning	Cover- height adjust		
99	1	1	1	1	9400-0290-01	Verktyg f.vippa	Tool for cover		Tillbehör/Accessory



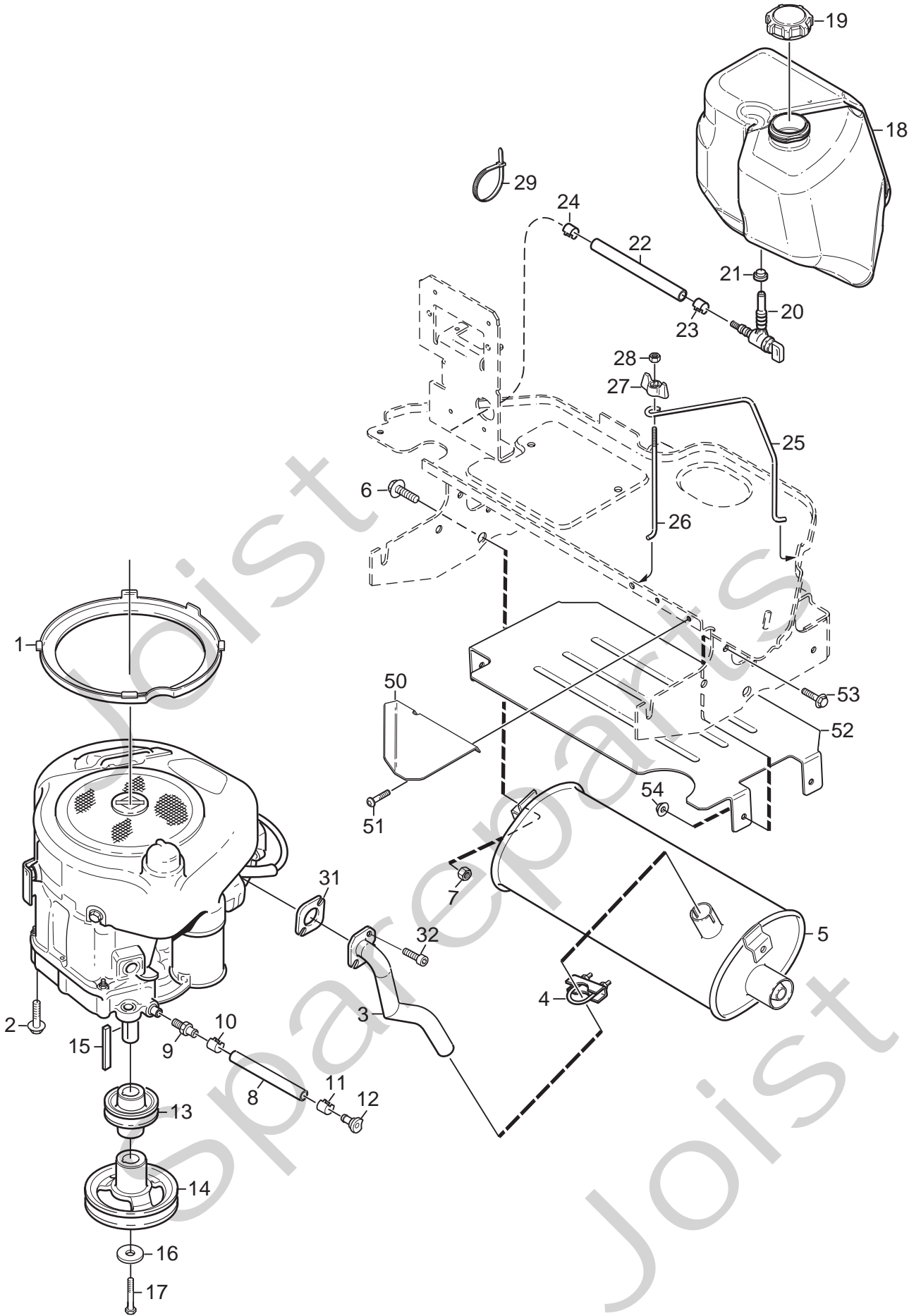
Utgåva Issue 2008- 11		Bildnr Picture No 1992D			PARK 2WD FOTREGLAGE		PARK 2WD FOOT CONTROLS		Sida Page 78	
Pos. Fig.	Antal/Quantity				Art nr Part No	Benämning	Description	Sats Kit	Anmärkning Notes	
	6144 6184	6141 6142 6182 6183	6180	6179 6189 6193 6195						
1	1	1	1	1	1134-4247-01	Broms/kopplingspedal.....	Brake/clutch pedal.....		Sats 4 st/kit of 4	
2	1	1	1	1	1134-9024-01	• Lager	• Bearing			
3	1	1	1	1	1134-3584-03	Broms/kopplingswire.....	Brake/clutch cable.....			
4A	1	1		1	1134-6467-01	Wirefäste	Cable holder			
4B			1		1134-6052-01	Wirefäste	Cable holder			
5	3	3	3	3	9959-0820-16	Skruv	Screw.....			
6	3	3	3	3	9739-0831-22	Mutter.....	Nut			
7	1	1	1	1	1134-3974-01	Fjäder.....	Spring			
8	1	1	1	1	1134-6353-01	Drivpedal	Drive pedal.....			
9	2	2	2	2	1134-6313-01	Lager	Bearing.....			
10	2	2	2	2	1134-2700-01	Fäste	Bracket.....			
11	2	2	2	2	9959-0820-16	Skruv	Screw.....			
12	2	2	2	2	9739-0831-22	Mutter.....	Nut			
16	1	1	1	1	1134-2766-05	Reglagewire.....	Speed control cable			
17	2	2	2	2	9570-0001-00	Vinkellänk	Elbow link			
18	2	2	2	2	9739-0531-22	Mutter.....	Nut			
19	2	2	2	2	9747-0531-02	Mutter.....	Nut			
20	1	1	1	1	1134-6317-01	Wirefäste	Cable holder			
21	2	2	2	2	9959-0620-16	Skruv	Screw.....			
22	2	2	2	2	9739-0631-22	Mutter.....	Nut			
23	1	1	1	1	1134-3395-01	Fäste	Attachment.....			
24	2	2	2	2	9959-0820-16	Skruv	Screw.....	L = 20 mm		
25	2	2	2	2	9739-0831-22	Mutter.....	Nut			
26	1	1	1	1	1134-2021-01	Växelwirefäste	Clamp.....			
29		2	2	2	1134-6340-02	Fotstöd	Foot rest.....			
30		4	4	4	9959-0620-16	Skruv	Screw.....			
31		4	4	4	9739-0631-22	Mutter.....	Nut			
48	1	1	1	1	1134-5101-01	Bromsstång	Brake rod			
49	1	1	1	1	1134-3808-01	Knopp	Knob			
50	1	1	1	1	1131-1497-01	Fjäder.....	Spring			
51	1	1	1	1	1134-4002-01	Fäste	Brake rod attachment.....			
52	3	3	3	3	9838-9516-12	Skruv	Screw			
53				1	1134-4944-01	Plåt	Stop plate.....			
58	1	1	1	1	9997-0835-16	Skruv	Screw.....			
59	1	1	1	1	9739-0831-22	Mutter.....	Nut			



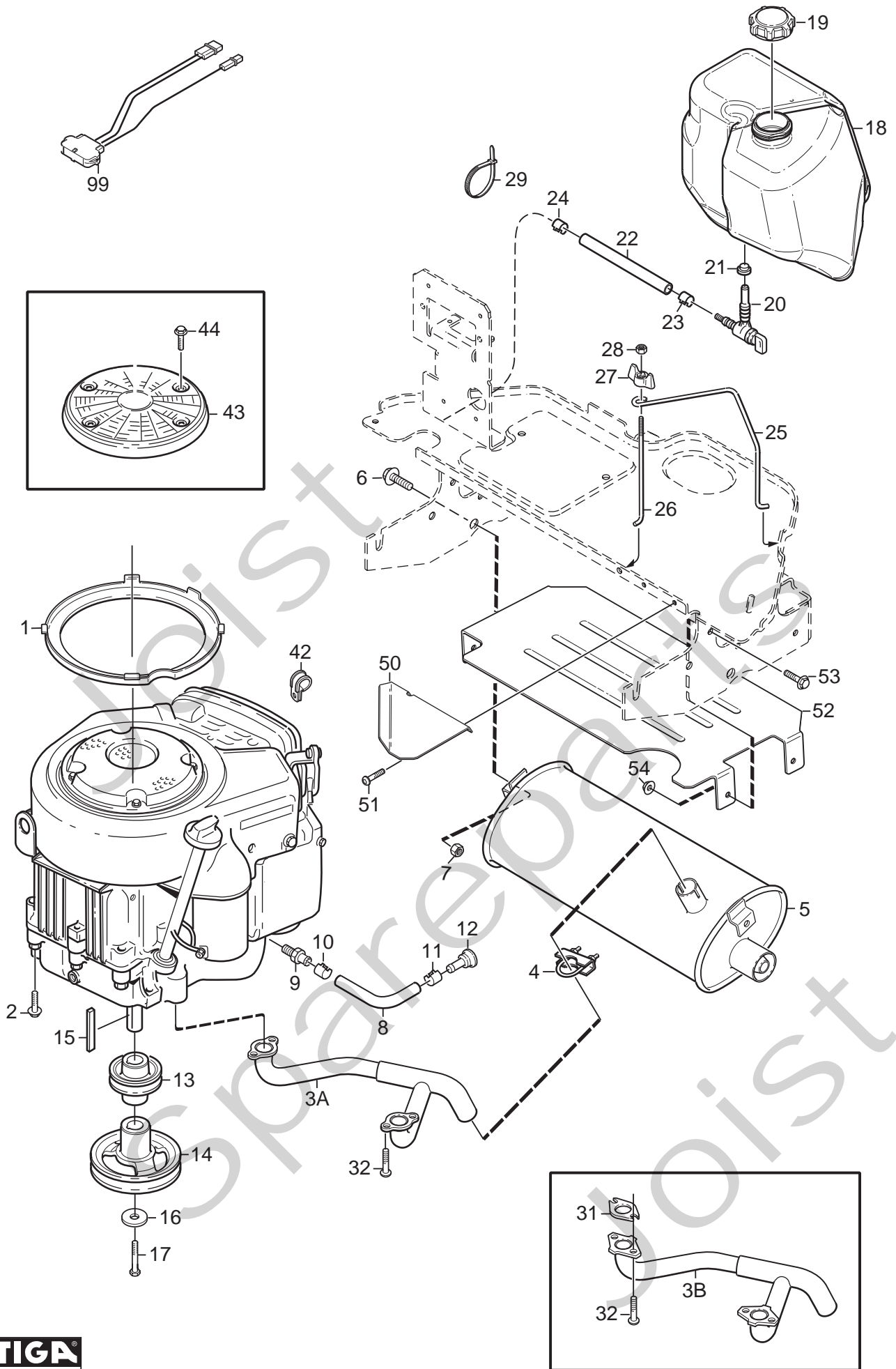
Utgåva Issue 2008- 11		Bildnr Picture No 2020C		PARK 2WD ELUTRUSTNING		PARK 2WD EL. EQUIPMENT		Sida Page 80	
Pos. Fig.	Antal/Quantity				Art nr Part No	Benämning	Description	Sats Kit	Anmärkning Notes
	6144 6179 6183	6141 6142 6184 6195	6182 6189 6193	6180					
1	1	1	1	1	1134-5751-01	Batteri.....	Battery		
2	1	1	1	1	1134-5994-01	Batteribygel	Battery loop.....		
3	1	1	1	1	1134-5995-01	Batteribygel	Battery loop.....		
4	1	1	1	1	1134-4481-02	Vingmutter.....	Wing nut		
5	1	1	1	1	9747-0631-02	Låsmutter	Lock nut.....		
6	1	1	1	1	1134-2962-01	Solenoid kpl	Solenoid assy.....		
7	2	2	2	2	9794-5131-02	• Mutter.....	• Nut		
8	2	2	2	2	9852-8013-16	Skruv.....	Screw.....		
9	2	2	2	2	9699-0060-02	Planbricka.....	Flat washer.....		
10	1	1	1	1	1134-4970-02	Kabel- röd	Cable- red.....		
11	1	1	1	1	1134-3491-01	Säkringshållare.....	Fuse holder		
12	1	1	1	1	1134-3496-01	Säkring	Fuse	10A	
12	1	1	1	1	1134-3496-06	Säkring	Fuse	20A	
12	1	1	1	1	1134-3496-07	Säkring	Fuse	30A	
13	1	1	1	1	1134-3631-01	Lock-säkringsdosa.....	Cover- fuse holder.....		
14	1	1	1	1	1134-3399-02	Brytare.....	Switch.....		
15	2	2	2	2	9943-0516-16	Skruv.....	Screw.....		
16	1	1	1	1	1134-4172-01	Strålkastare kpl.....	Headlamp assy.....	Not on 13- 6144- 74	
16A	1	1	1	1	9400-0293-01	• Glödlampa	• Bulb.....	12V - 21W	
17	2	2	2	2	9849-7819-16	Skruv.....	Screw.....		
18	2	2	2	2	1134-4177-01	Clips	Clips		
19B	1	1	1	1	1134-6291-01	Honkontakt	Female terminal.....	Not on 13- 6144- 74	
22A	1	1	1	1	1134-0234-02	Batterikabel (+).....	Battery cable (+).....		
22B				1	1134-6067-01	Kabel (+).....	Cable (+).....		
23	1	1	1	1	1134-2310-01	Batteriskydd.....	Guard cap		
24	7	7	7	7	9579-0003-00	Buntband	Cable holder.....		
27	2	2	2	2	9849-8006-16	Skruv.....	Screw.....		
37	1	1			9959-0612-16	Skruv.....	Screw.....		
38	1	1			9739-0631-22	Mutter.....	Nut		
39	1	1			1134-6454-01	Jordplåt	Ground plate		
40				1	1134-6034-01	Kablage.....	Cable harness	Diesel	
40		1	1		1134-6441-01	Kablage.....	Harness.....		
40	1				1134-6469-01	Kablage.....	Harness.....	Honda	



Utgåva Issue		Bildnr Picture No		PARK 2WD UNLIMITED MOTOR (GGP)		PARK 2WD UNLIMITED ENGINE (GGP)		Sida Page	
2008- 11		2409						82	
Pos. Fig.	Antal/Quantity				Art nr Part No	Benämning	Description	Sats Kit	Anmärkning Notes
	6141								
X	1	1			1134-6116-02	Luffring.....	Air duct		
	2	4			9955-3725-16	Skruv.....	Screw.....		
	3	1			1134-6619-01	Grenrör.....	Exhaust pipe		
	4	1			9578-0011-01	Klämma.....	Clamp.....		
	5	1			1134-6024-01	Ljuddämpare	Muffler		
	6	1			9959-0820-16	Skruv.....	Screw.....		
	7	1			9739-0831-22	Mutter.....	Nut		
	8	1			1134-5827-01	Oljeavtappning kpl.....	Oil drain assy		Inkl. pos 9 - 12
	9	1			1134-5825-01	• Nippel.....	• Nipple.....		
	10	1			9578-0023-04	• Slangklämma.....	• Hose clamp		
	11	1			1134-3499-02	• Slangklämma.....	• Hose clamp		
	12	1			1134-5826-01	• Plugg.....	• Plug.....		
	13	1			1134-6137-01	Motorremskiva	Engine pulley.....		
	14	1			1134-6419-01	Motorremskiva	Engine pulley.....		
	15	1			9600-0251-01	Kil.....	Key.....		
	16	1			1134-5017-01	Bricca.....	Washer.....		
	17	1			9987-5332-16	Skruv.....	Screw		
	18	1			1134-5938-01	Bränsletank.....	Fuel tank		
	19	1			1134-5532-01	Tanklock	Fuel tank cap.....		
	20	1			1134-3224-01	Bensinkran.....	Fuel shut-off valve		
	21	1			1134-3225-01	Gummibussning.....	Grommet.....		
	22	1			1134-2975-13	Bensinslang	Fuel hose.....		L = 1100
	23	1			9578-0023-02	Slangklämma.....	Hose clamp		
	24	1			9578-0023-02	Slangklämma.....	Hose clamp		
	25	1			1134-5942-01	Tankbygel	Tank loop		
	26	1			1134-5996-01	Tankbygel	Tank loop		
	27	1			1134-4481-02	Vingmutter.....	Wing nut		
	28	1			9747-0631-02	Låsmutter	Lock nut		
	29	1			9579-0003-00	Buntband	Cable holder.....		
X	30	1			9852-8013-16	Skruv.....	Screw.....		
	31	1			1134-6624-01	Packning.....	Gasket.....		
	32	2			1134-4930-01	Skruv.....	Screw.....		
	50	1			1134-6234-01	Deflektor.....	Heat deflector.....		
	51	2			9943-0516-16	Skruv.....	Screw.....		
	52	1			1134-6251-01	Deflektor.....	Heat deflector.....		
	53	4			9959-0612-16	Skruv.....	Screw.....		
	54	4			9739-0631-22	Mutter.....	Nut		
X	99	1			1134-9501-01	Motor kpl.....	Engine assy.....		GGP WM14

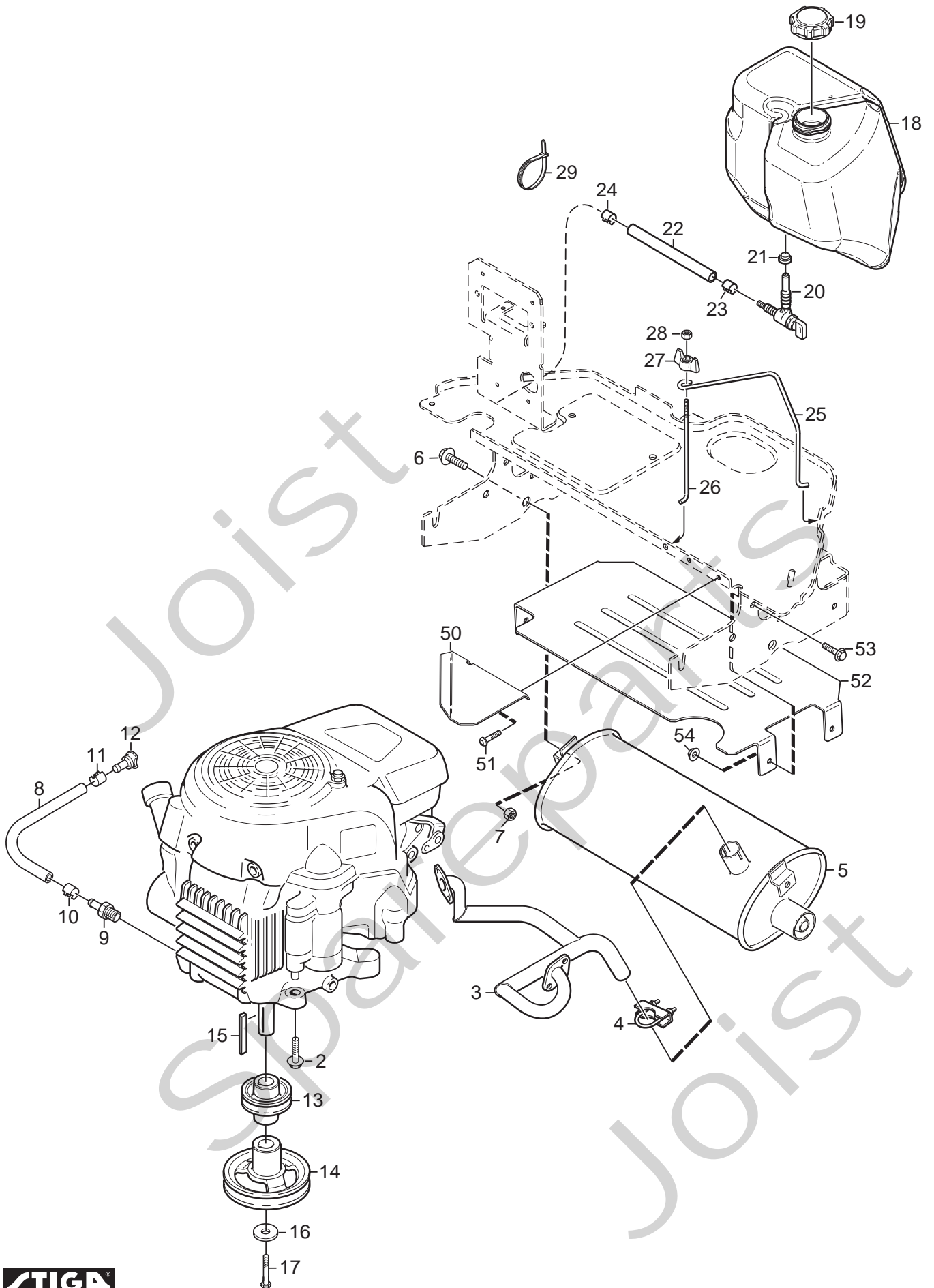


Utgåva Issue 2008- 11		Bildnr Picture No 2021		PARK 2WD COMFORT- PRESID- RANGER MOTOR (Briggs & Stratton)		PARK 2WD COMFORT- PRESID- RANGER ENGINE (Briggs & Stratton)		Sida Page 84	
Pos. Fig.	Antal/Quantity			Art nr Part No	Benämning	Description	Sats Kit	Anmärkning Notes	
	6182 6193	6184							
1	1	1		1134-6116-02	Luffring.....	Air duct			
2	4	4		9955-3725-16	Skruv.....	Screw.....			
3	1			1134-6100-01	Grenrör.....	Exhaust pipe			
3		1		1134-6334-01	Grenrör.....	Exhaust pipe			
4	1	1		9578-0011-01	Klämma.....	Clamp.....			
5	1	1		1134-6024-01	Ljuddämpare.....	Muffler			
6	1	1		9959-0820-16	Skruv.....	Screw.....			
7	1	1		9739-0831-22	Mutter.....	Nut.....			
8	1	1		1134-5827-01	Oljeavtappning kpl.....	Oil drain assy		Inkl. pos 9 - 12	
9	1	1		1134-5825-01	• Nippel.....	• Nipple.....			
10	1	1		9578-0023-04	• Slangklämma.....	• Hose clamp			
11	1	1		1134-3499-02	• Slangklämma.....	• Hose clamp			
12	1	1		1134-5826-01	• Plugg.....	• Plug.....			
13	1	1		1134-6137-01	Motorremskiva.....	Engine pulley.....			
14	1	1		1134-6419-01	Motorremskiva.....	Engine pulley.....			
15	1	1		9600-0251-01	Kil.....	Key.....			
16	1	1		1134-5017-01	Bricka.....	Washer.....			
17	1	1		9987-5332-16	Skruv.....	Screw.....			
18	1	1		1134-5938-01	Bränsletank.....	Fuel tank			
19	1	1		1134-5532-01	Tanklock.....	Fuel tank cap.....			
20	1	1		1134-3224-01	Bensinkran.....	Fuel shut-off valve.....			
21	1	1		1134-3225-01	Gummibussning.....	Grommet.....			
22	1	1		1134-2975-13	Bensinslang.....	Fuel hose.....		L = 1100	
23	1	1		9578-0023-02	Slangklämma.....	Hose clamp			
24	1	1		9578-0023-02	Slangklämma.....	Hose clamp			
25	1	1		1134-5942-01	Tankbygel.....	Tank loop			
26	1	1		1134-5996-01	Tankbygel.....	Tank loop			
27	1	1		1134-4481-02	Vingmutter.....	Wing nut.....			
28	1	1		9747-0631-02	Låsmutter.....	Lock nut.....			
29	1	1		9579-0003-00	Buntband.....	Cable holder.....			
30	1	1		9852-8013-16	Skruv.....	Screw.....			
31	1	1		1134-0433-00	Ljuddämparpackning.....	Muffler gasket.....			
32	2	2		1134-4930-01	Skruv.....	Screw.....			
50	1	1		1134-6234-01	Deflektor.....	Heat deflector.....			
51	2	2		9943-0516-16	Skruv.....	Screw.....			
52	1	1		1134-6251-01	Deflektor.....	Heat deflector.....			
53	4	4		9959-0612-16	Skruv.....	Screw.....			
54	4	4		9739-0631-22	Mutter.....	Nut.....			

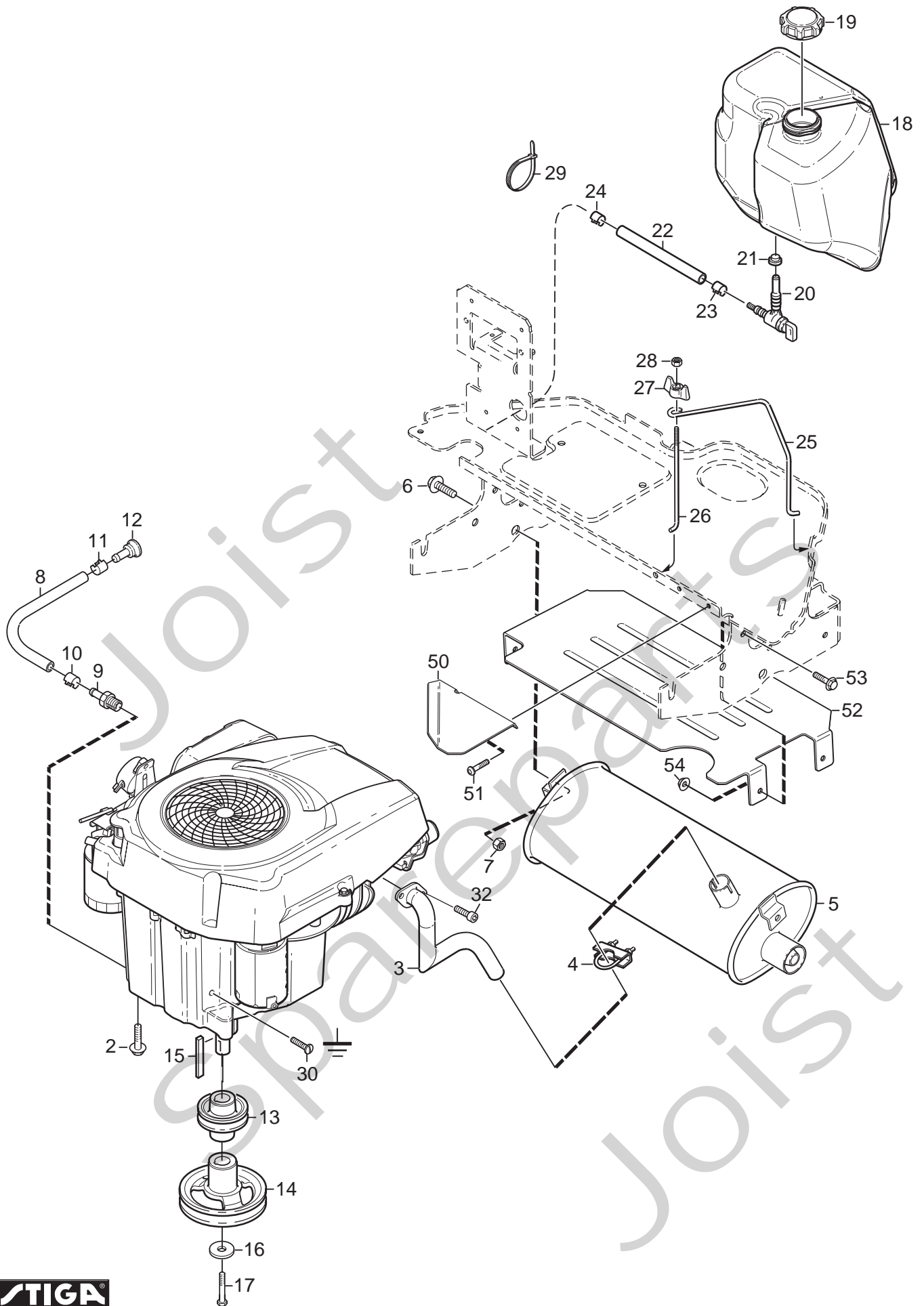


Utgåva Issue		Bildnr Picture No		PARK 2WD EXCELLENT-UNLIMITED MOTOR (Briggs & Stratton)		PARK 2WD EXCELLENT-UNLIMITED ENGINE (Briggs & Stratton)		Sida Page	
2008- 11		2207A						86	
Pos. Fig.	Antal/Quantity			Art nr Part No	Benämning	Description	Sats Kit	Anmärkning Notes	
	6189	6142							
1	1			1134-6116-02	Luffring.....	Air duct			
2	4	4		9955-3725-16	Skruv.....	Screw.....			
3A	1			1134-6339-01	Grenrör.....	Exhaust pipe			
3B		1		1134-6422-01	Grenrör.....	Exhaust pipe			
4	1	1		9578-0011-01	Klämma	Clamp.....			
5	1	1		1134-6024-01	Ljuddämpare	Muffler			
6	1	1		9959-0820-16	Skruv.....	Screw.....			
7	1	1		9739-0831-22	Mutter.....	Nut			
8		1		1134-5827-01	Oljeavtappning kpl.....	Oil drain assy		Inkl. pos 9 - 12	
8	1			1134-5827-04	Oljeavtappning kpl.....	Oil drain assy		Inkl. pos 9 - 12	
9	1	1		1134-5825-01	• Nippel.....	• Nipple.....			
10	1	1		9578-0023-04	• Slangklämma.....	• Hose clamp			
11	1	1		1134-3499-02	• Slangklämma.....	• Hose clamp			
12	1	1		1134-5826-01	• Plugg.....	• Plug.....			
13	1	1		1134-6137-01	Motorremskiva	Engine pulley.....			
14	1	1		1134-6419-01	Motorremskiva	Engine pulley.....			
15	1	1		9600-0251-01	Kil.....	Key			
16	1	1		1134-5017-01	Bricka	Washer.....			
17	1	1		9987-5332-16	Skruv.....	Screw			
18	1	1		1134-5938-01	Bränsletank.....	Fuel tank			
19	1	1		1134-5532-01	Tanklock.....	Fuel tank cap.....			
20	1	1		1134-3224-01	Bensinkran.....	Fuel shut-off valve.....			
21	1	1		1134-3225-01	Gummibussning	Grommet.....			
22	1	1		1134-2975-13	Bensinslang	Fuel hose.....		L = 1100	
23	1	1		9578-0023-02	Slangklämma.....	Hose clamp			
24	1	1		9578-0023-02	Slangklämma.....	Hose clamp			
25	1	1		1134-5942-01	Tankbygel	Tank loop			
26	1	1		1134-5996-01	Tankbygel	Tank loop			
27	1	1		1134-4481-02	Vingmutter.....	Wing nut			
28	1	1		9747-0631-02	Låsmutter	Lock nut			
29	1	1		9579-0003-00	Buntband	Cable holder			
30	1			9852-8013-16	Skruv.....	Screw			
30		1		9893-0616-16	Skruv.....	Screw			
31		2		1134-0433-00	Ljuddämparpackning.....	Muffler gasket.....			
32		4		1134-4930-01	Skruv.....	Screw.....			
32	4			9939-0820-16	Skruv.....	Screw.....			
42	1	1		1134-0994-02	Rörklammer.....	Tube clamp.....			
43		1		1134-4168-01	Fläktskiva.....	Fan disc.....			
44		4		9838-9516-12	Skruv.....	Screw			
50	1	1		1134-6234-01	Deflektor.....	Heat deflector.....			
51	2	2		9943-0516-16	Skruv.....	Screw.....			
52	1	1		1134-6251-01	Deflektor.....	Heat deflector.....			
53	4	4		9959-0612-16	Skruv.....	Screw.....			
54	4	4		9739-0631-22	Mutter.....	Nut			
99		1		1134-7233-01	Adapterkabel.....	Cable			

X



Utgåva Issue 2008- 11		Bildnr Picture No 2022		PARK 2WD ROYAL- RANGER- SILENT MOTOR (Honda)		PARK 2WD ROYAL- RANGER- SILENT ENGINE (Honda)		Sida Page 88	
Pos. Fig.	Antal/Quantity				Art nr Part No	Benämning	Description	Sats Kit	Anmärkning Notes
	6144	6179	6183						
2	4				9955-3725-16	Skruv.....	Screw.....		
3	1				1134-5947-01	Grenrör.....	Exhaust pipe.....		
4	1				9578-0011-01	Klämma.....	Clamp.....		
5	1				1134-6024-01	Ljuddämpare.....	Muffler.....		
6	1				9959-0820-16	Skruv.....	Screw.....		
7	1				9739-0831-22	Mutter.....	Nut.....		
8	1				1134-5827-01	Oljeavtapning kpl.....	Oil drain assy.....		Inkl. pos 9 - 12
9	1				1134-5825-01	• Nippel.....	• Nipple.....		
10	1				9578-0023-04	• Slangklämma.....	• Hose clamp.....		
11	1				1134-3499-02	• Slangklämma.....	• Hose clamp.....		
12	1				1134-5826-01	• Plugg.....	• Plug.....		
13	1				1134-6137-01	Motorremskiva.....	Engine pulley.....		
14	1				1134-6419-01	Motorremskiva.....	Engine pulley.....		
15	1				9600-0251-01	Kil.....	Key.....		
16	1				1134-5017-01	Bricka.....	Washer.....		
17	1				9987-5332-16	Skruv.....	Screw.....		
18	1				1134-5938-01	Bränsletank.....	Fuel tank.....		
19	1				1134-5532-01	Tanklock.....	Fuel tank cap.....		
20	1				1134-3224-01	Bensinkran.....	Fuel shut-off valve.....		
21	1				1134-3225-01	Gummibussning.....	Grommet.....		
22	1				1134-2975-13	Bensinslang.....	Fuel hose.....		L = 1100
23	1				9578-0023-02	Slangklämma.....	Hose clamp.....		
24	1				9578-0023-02	Slangklämma.....	Hose clamp.....		
25	1				1134-5942-01	Tankbygel.....	Tank loop.....		
26	1				1134-5996-01	Tankbygel.....	Tank loop.....		
27	1				1134-4481-02	Vingmutter.....	Wing nut.....		
28	1				9747-0631-02	Låsmutter.....	Lock nut.....		
29	1				9579-0003-00	Buntband.....	Cable holder.....		
30	1				9893-0616-16	Skruv.....	Screw.....		
50	1				1134-6234-01	Deflektor.....	Heat deflector.....		
51	2				9943-0516-16	Skruv.....	Screw.....		
52	1				1134-6251-01	Deflektor.....	Heat deflector.....		
53	4				9959-0612-16	Skruv.....	Screw.....		
54	4				9739-0631-22	Mutter.....	Nut.....		

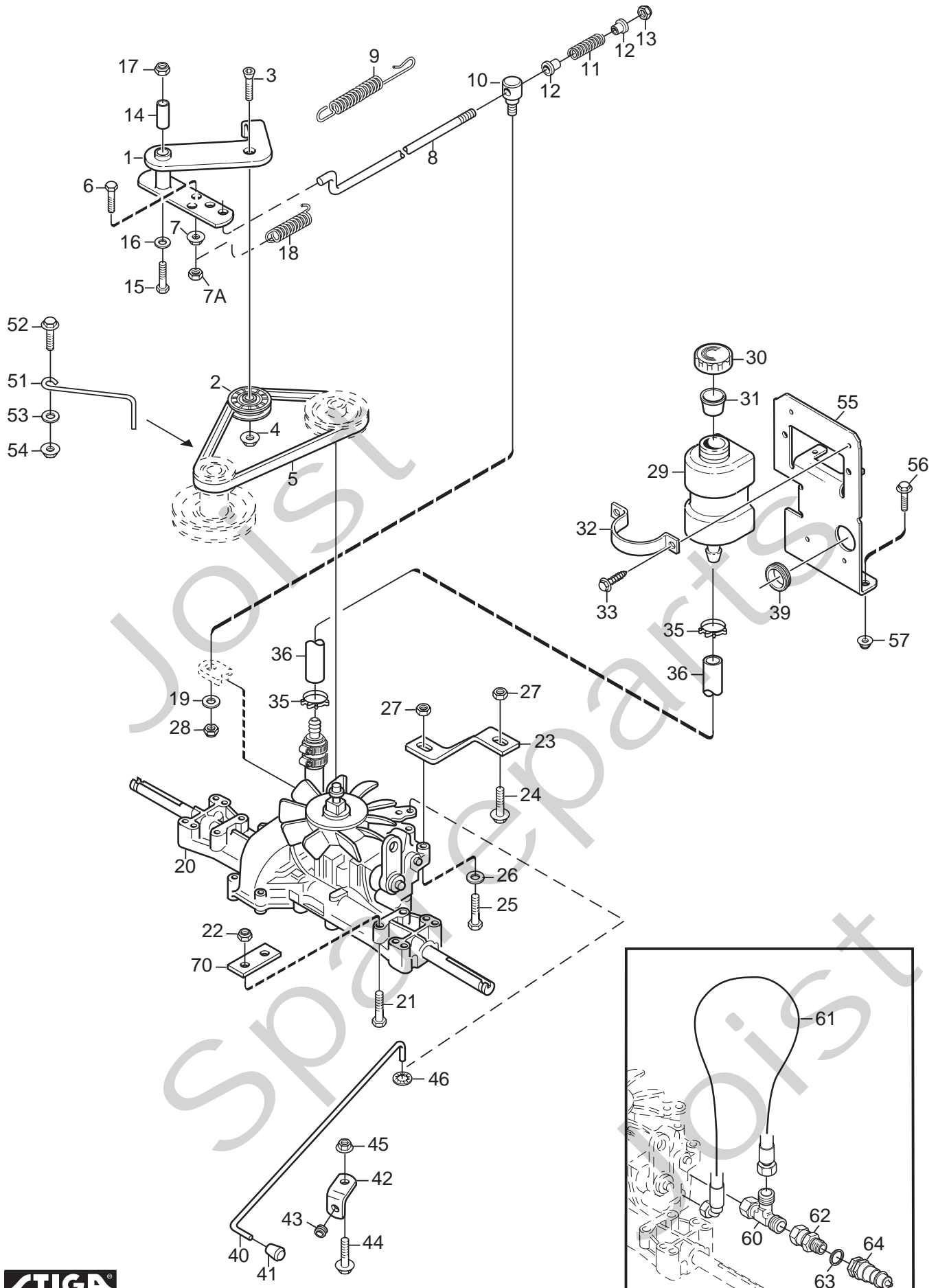


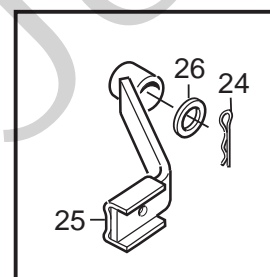
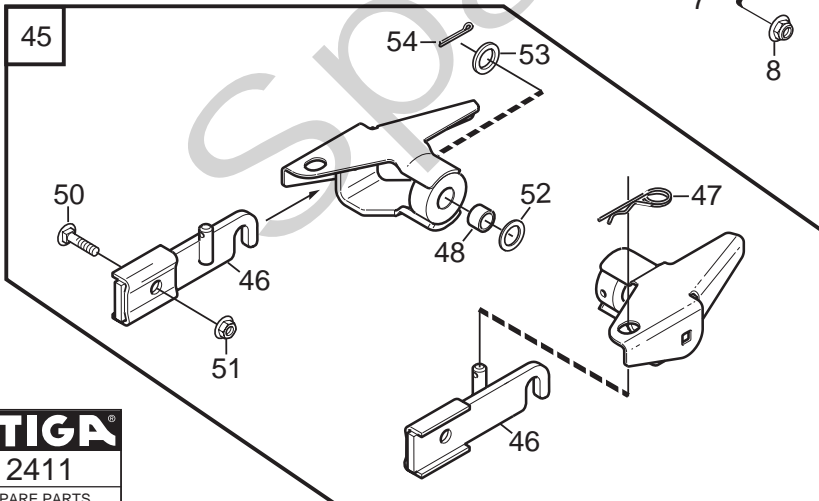
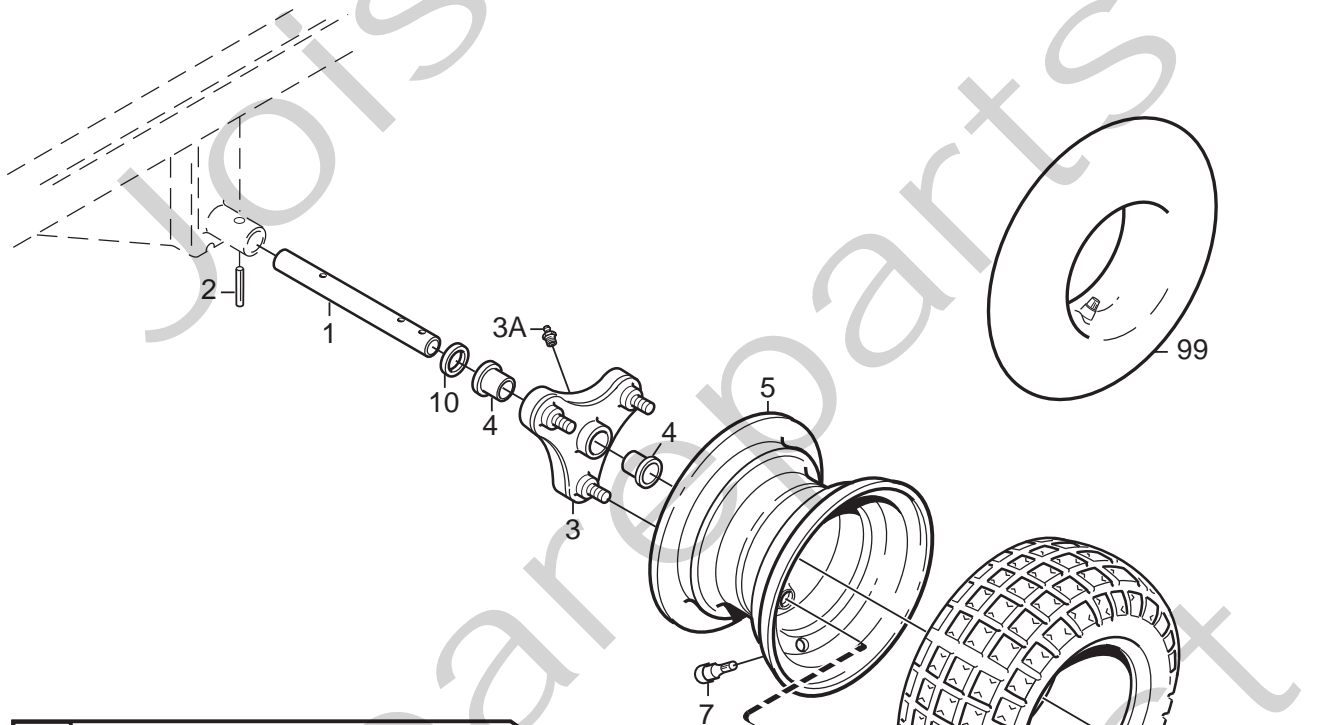
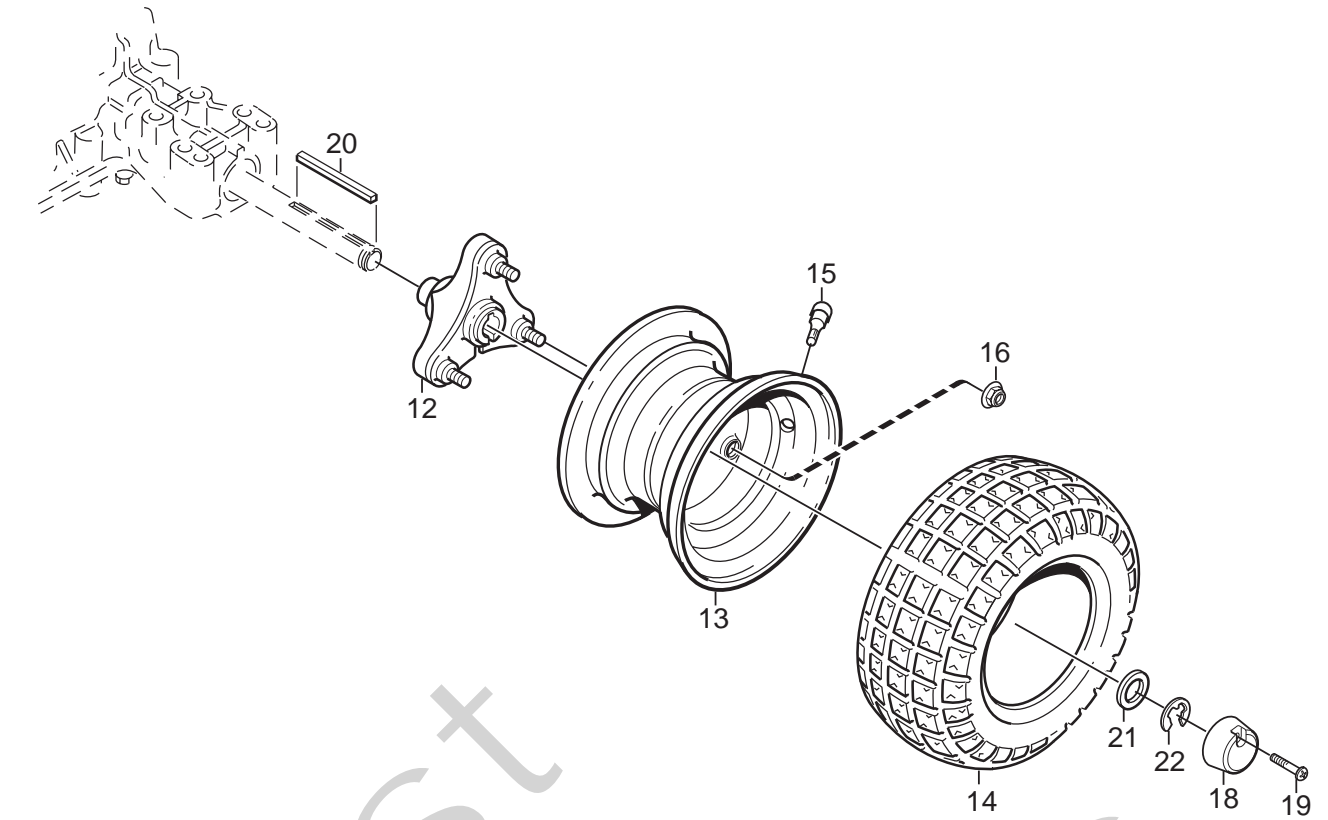
Utgåva Issue 2008- 11		Bildnr Picture No 2037A		PARK 2WD FAIRWAY MOTOR (Kohler)		PARK 2WD FAIRWAY ENGINE (Kohler)		Sida Page 90	
Pos. Fig.	Antal/Quantity				Art nr Part No	Benämning	Description	Sats Kit	Anmärkning Notes
	6195								
2	4				9955-3725-16 Skruv.....	Screw.....			
3	1				1134-6021-01 Grenrör.....	Exhaust pipe.....			
4	1				9578-0011-01 Klämma.....	Clamp.....			
5	1				1134-6024-01 Ljuddämpare.....	Muffler.....			
6	1				9959-0820-16 Skruv.....	Screw.....			
7	1				9739-0831-22 Mutter.....	Nut.....			
8	1				1134-5827-01 Oljeavtapning kpl.....	Oil drain assy.....			Inkl. pos 9 - 12
9	1				1134-5825-01 • Nippel.....	• Nipple.....			
10	1				9578-0023-04 • Slangklämma.....	• Hose clamp.....			
11	1				1134-3499-02 • Slangklämma.....	• Hose clamp.....			
12	1				1134-5826-01 • Plugg.....	• Plug.....			
13	1				1134-6137-01 Motorremskiva.....	Engine pulley.....			
14	1				1134-6419-01 Motorremskiva.....	Engine pulley.....			
15	1				9600-0251-01 Kil.....	Key.....			
16	1				1134-5017-01 Bricka.....	Washer.....			
17	1				9987-5332-16 Skruv.....	Screw.....			
18	1				1134-5938-01 Bränsletank.....	Fuel tank.....			
19	1				1134-5532-01 Tanklock.....	Fuel tank cap.....			
20	1				1134-3224-01 Bensinkran.....	Fuel shut-off valve.....			
21	1				1134-3225-01 Gummibussning.....	Grommet.....			
22	1				1134-2975-13 Bensinslang.....	Fuel hose.....			L = 1100
23	1				9578-0023-02 Slangklämma.....	Hose clamp.....			
24	1				9578-0023-02 Slangklämma.....	Hose clamp.....			
25	1				1134-5942-01 Tankbygel.....	Tank loop.....			
26	1				1134-5996-01 Tankbygel.....	Tank loop.....			
27	1				1134-4481-02 Vingmutter.....	Wing nut.....			
28	1				9747-0631-02 Låsmutter.....	Lock nut.....			
29	1				9579-0003-00 Buntband.....	Cable holder.....			
30	1				9893-0616-16 Skruv.....	Screw.....			
32	2				1134-4930-01 Skruv.....	Screw.....			
50	1				1134-6234-01 Deflektor.....	Heat deflector.....			
51	2				9943-0516-16 Skruv.....	Screw.....			
52	1				1134-6251-01 Deflektor.....	Heat deflector.....			
53	4				9959-0612-16 Skruv.....	Screw.....			
54	4				9739-0631-22 Mutter.....	Nut.....			

Utgåva Issue 2008- 11		Bildnr Picture No 2023B		PARK 2WD DIESEL MOTOR (Hatz)		PARK 2WD DIESEL ENGINE (Hatz)		Sida Page 92	
Pos. Fig.	Antal/Quantity				Art nr Part No	Benämning	Description	Sats Kit	Anmärkning Notes
	6180								
X 1	1				1134-6463-01	Tätningring	Seal ring		
2	1				1134-4962-01	Fläktskydd	Fan cover		
3	3				1134-4963-01	Distans	Spacer		
4	3				9948-0630-16	Skruv	Screw		
5	4				9997-1050-16	Skruv	Screw		
6	4				9731-1031-22	Mutter	Nut		
7	1				1134-6012-01	Grenrör	Exhaust pipe		
8	1				1134-6024-01	Ljuddämpare	Muffler		
9	2				9959-0820-16	Skruv	Screw		
10	2				9739-0831-22	Mutter	Nut		
11	1				9578-0011-01	Klämma	Clamp		
12	2				1134-6118-01	Skruvnippel	Cable nipple		
13	1				1134-6126-01	Tryckfjäder	Comp. spring		
14	1				9997-0412-16	Skruv	Screw		
15	1				1134-5827-04	Oljeavtappning kpl	Oil drain assy		Inkl. pos 16 - 19
16	1				1134-5825-01	• Nippel	• Nipple		
17	1				9578-0023-04	• Slangklämma	• Hose clamp		
18	1				1134-3499-02	• Slangklämma	• Hose clamp		
19	1				1134-5826-01	• Plugg	• Plug		
20	1				1134-6139-01	Motorremskiva	Engine pulley		
21 A	1				1134-6419-01	Motorremskiva	Engine pulley		
22 A	1				9600-0251-01	Kil	Key		L = 2- 1/2"
23 A	1				1134-5017-01	Bricka	Washer		
24 A	1				9987-5332-16	Skruv	Screw		L = 32 mm
25	1				1134-5938-02	Bränsletank	Fuel tank		
26	1				1134-6130-01	Bränslegenomföring	Fuel connection		
27	1				1134-6136-01	Packning	Sealing		
28	1				1134-6134-01	Fläns	Flange		
29	1				1134-3224-01	Bensinkran	Fuel shut- off valve		
30	1				1134-3225-01	Gummibussning	Grommet		
31	1				1134-5532-01	Tanklock	Fuel tank cap		
32	1				9578-0023-02	Slangklämma	Hose clamp		
33	1				9578-0023-07	Slangklämma	Hose clamp		
34	1				1134-5942-01	Tankbygel	Tank loop		
35	1				1134-5996-01	Tankbygel	Tank loop		
36	1				1134-4481-02	Vingmutter	Wing nut		
37	1				9747-0631-02	Låsmutter	Lock nut		
38	1				9959-0820-16	Skruv	Screw		
39	4				9997-0625-16	Skruv	Screw		
40	ERF				1134-2975-15	Bränsleslang	Fuel hose		Cut to desired lenght
41	1				9578-0023-02	Slangklämma	Hose clamp		
42	1				1134-0994-02	Rörklämma	Tube clamp		
43	2				9939-0820-16	Skruv	Screw		
50	1				1134-6234-01	Deflektor	Heat deflector		
51	2				9943-0516-16	Skruv	Screw		
52	1				1134-6251-01	Deflektor	Heat deflector		
53	4				9959-0612-16	Skruv	Screw		
54	4				9739-0631-22	Mutter	Nut		

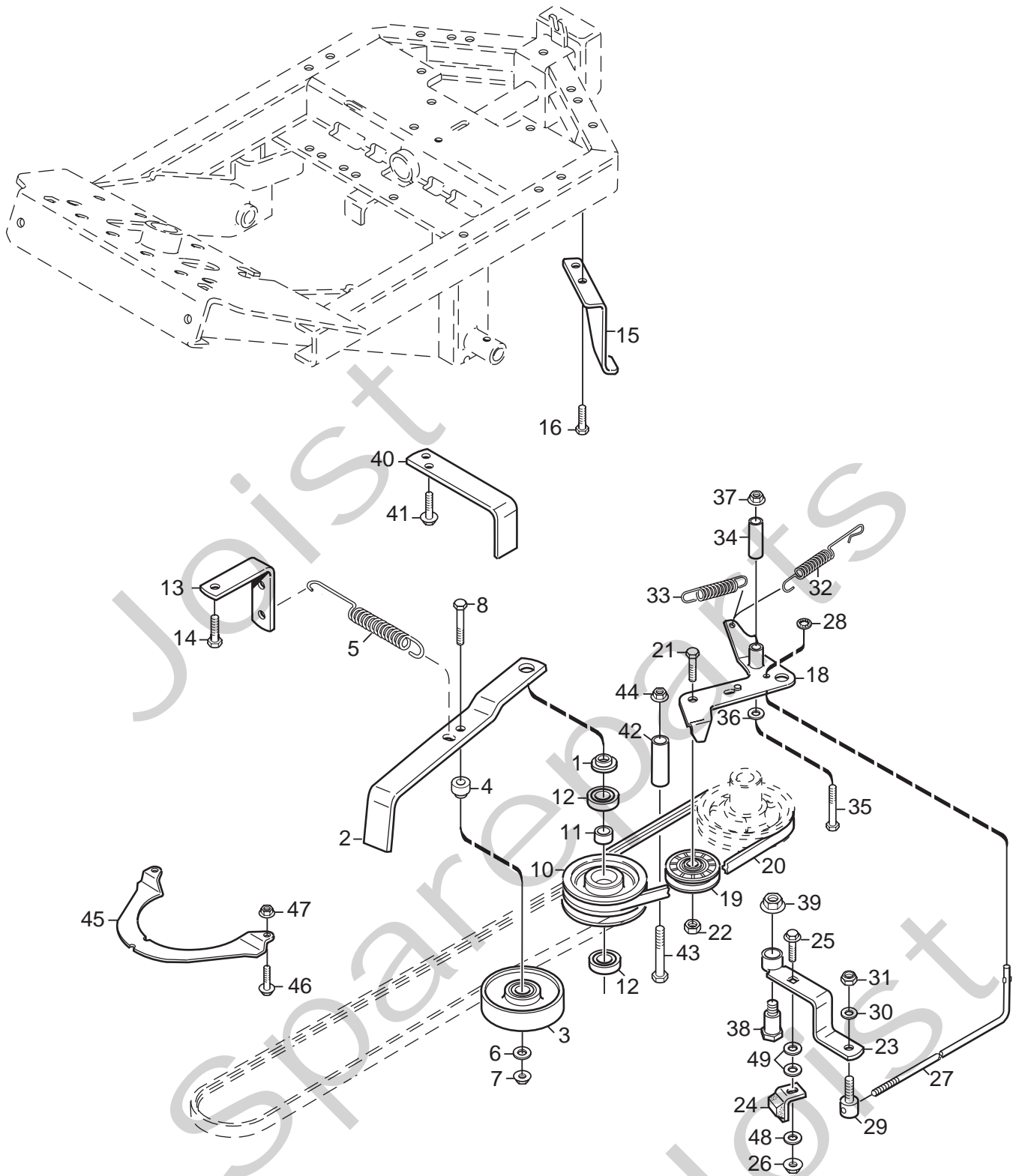
Utgåva Issue		Bildnr Picture No		PARK 2WD TRANSMISSION		PARK 2WD TRANSMISSION		Sida Page	
2008- 11		1996B						94	
Pos. Fig.	Antal/Quantity				Art nr Part No	Benämning	Description	Sats Kit	Anmärkning Notes
	6141 6144 6182 6183	6142 6189	6180	6184 6195					
1	1	1	1	1	1134-4000-02	Spännarm	Tension arm		
2	1	1	1	1	1134-3459-01	Spännrulle	Tension roller		
3	1	1	1	1	9924-1035-16	Skruv	Screw		
4	1	1	1	1	9799-1031-02	Mutter	Nut		
5	1	1	1	1	1134-9058-01	Drivrem	V- belt.....		
6	1	1	1	1	9997-0625-16	Skruv	Screw		
7	1	1	1	1	9739-0631-22	Mutter	Nut		
7A	1	1	1	1	9747-0631-02	Låsmutter	Lock nut		
8	1	1	1	1	1134-3377-02	Reglagestång	Control rod.....		
9	1	1	1	1	4231-0013-00	Fjäder.....	Spring		
10	1	1	1	1	1134-4171-01	Ledtapp	Pivot pin.....		
11	1	1	1	1	1134-4183-01	Tryckfjäder.....	Compression spring.....		
12	2	2	2	2	1134-3456-01	Bussning	Bushing		
13	1	1	1	1	9747-0631-02	Låsmutter	Lock nut		
14	1	1	1	1	1134-1565-08	Distans	Spacer		
15	1	1	1	1	9997-0870-16	Skruv	Screw		
16	1	1	1	1	9699-0056-02	Planbricka.....	Flat washer.....		
17	1	1	1	1	9747-0831-02	Mutter.....	Lock nut		
18	1	1	1	1	1134-6414-01	Fjäder.....	Spring		
19	1	1	1	1	9699-0060-02	Planbricka.....	Flat washer.....		
20	1	1	1	1	1134-4848-01	Transaxel kpl.....	Transaxle assy.....		
21	4	4	4	4	9960-0860-12	Skruv	Screw		Kanzaki K46G
21	4	4	4	4	9997-0870-16	Skruv	Screw		L = 60 mm
22	4	4	4	4	9747-0831-02	Mutter.....	Lock nut		L = 70 mm
23	1	1	1	1	1134-3913-01	Reaktionsstag.....	Strut		
24	1	1	1	1	9959-0825-16	Skruv	Screw		
25	1	1	1	1	9997-0845-12	Skruv	Screw		
26	1	1	1	1	9699-0090-02	Planbricka.....	Flat washer.....		
27	2	2	2	2	9747-0831-02	Mutter.....	Lock nut		
28	1	1	1	1	9747-0631-02	Låsmutter	Lock nut		
29	1	1	1	1	1134-2765-02	Oljetank	Oil tank.....		
30	1	1	1	1	1134-2777-02	Tanklock	Filler cap		
31	1	1	1	1	1134-3734-01	Luftningsplugg	Vent plug.....		
32	1	1	1	1	1134-2778-01	Fästband	Retainer strap		
33	2	2	2	2	9852-8013-16	Skruv	Screw		
35	2	2	2	2	9578-0023-04	Slangklämma.....	Hose clamp		15 x 8
36			1		1134-2779-06	Slang	Tube		L = 230 mm
36	1	1		1	1134-2779-09	Slang	Tube		L = 290 mm
39	1	1	1	1	1134-3203-01	Kabelgenomföring	Grommet.....		
40	1	1	1	1	1134-4015-01	Dragstång.....	Pull rod		
41	1	1	1	1	1134-4014-01	Plastknopp.....	Plastic button.....		
42	1	1	1	1	1134-4713-01	Vinkel.....	Bracket.....		
43	1	1	1	1	1134-2790-01	Gummihylsa	Rubber grommet.....		
44	1	1	1	1	9959-0820-16	Skruv	Screw		
45	1	1	1	1	9739-0831-22	Mutter.....	Nut		
46	1	1	1	1	9675-0009-02	Starlock	Starlock		
48			1		1134-6047-01	Remstyrning.....	Belt guide		
49			1		9959-1025-16	Skruv	Screw		
50			1		9739-1031-22	Mutter.....	Nut		
51	1	1		1	1134-3289-02	Remstyrning.....	Belt guide		
52	1	1		1	9959-0820-16	Skruv	Screw		
53	1	1		1	9699-0056-02	Planbricka.....	Flat washer.....		
54	1	1		1	9739-0831-22	Mutter.....	Nut		
55	1	1	1	1	1134-5941-01	Tankkonsol	Tank bracket.....		
56	2	2	2	2	9959-0820-16	Skruv	Screw		
57	2	2	2	2	9739-0831-22	Mutter.....	Nut		
58			1		1134-6051-01	Slangnippel.....	Hose nipple.....		
59			1		1134-6050-01	Böj	Elbow		
60			2		9578-0023-06	Slangklämma.....	Hose clamp		
70		2			1134-3376-01	Mellanlägg.....	Spacer plate		6142- 64, 6189- 04

X





Utgåva Issue		Bildnr Picture No		PARK 2WD HJUL 16"		PARK 2WD WHEELS 16"		Sida Page		
2008- 11		2411						98		
Pos. Fig.	Antal/Quantity					Art nr Part No	Benämning	Description	Sats Kit	Anmärkning Notes
	6141 6142 6144 6184	6179 6193	6182 6183 6189 6195	6180						
1	2	2	2	2	2	1134-0075-01	Framaxeltapp	Front axle		
2	2	2	2	2	2	9595-0258-00	Spännstift	Locating pin		
3	2	2	2	2	2	1134-4844-05	Hjulnav kpl	Wheel hub Assy		
3A	1	1	1	1	1	9501-0500-00	• Smörjnippel	• Grease joint		
4	1	1	1	1	1	1134-9026-01	• Lagerbussning	• Bearing bush kit		Sats 4 st/kit of 4
5	2	2	2	2	2	1134-4558-01	Fälg	Rim		
6	2	2	2	2	2	9545-0116-00	Däck	Tyre		16 x 7.50 - 8
7	2	2	2	2	2	9545-0500-00	Ventil	Valve		
8	6	6	6	6	6	9731-1031-22	Mutter	Nut		
10	8	8	8	8	8	1134-0341-01	Bricka	Washer		
11	2	2	2	2	2	9599-0080-02	Saxsprint	Cotter pin		
12	2	2	2	2	2	1134-4844-02	Hjulnav	Wheel hub		
13	2	2	2	2	2	1134-4558-01	Fälg	Rim		
14	2	2	2	2	2	9545-0116-00	Däck	Tyre		16 x 7.50 - 8
15	2	2	2	2	2	9545-0500-00	Ventil	Valve		
16	6	6	6	6	6	9731-1031-22	Mutter	Nut		
18	2	2	2	2	2	1134-4796-01	Navkapsel	Hub cap		
19	2	2	2	2	2	9947-0540-19	Skruv	Screw		
20	2	2	2	2	2	1134-2471-01	Kil	Key		
21	2	2	2	2	2	9699-0042-02	Planbricka	Flat washer		
22	2	2	2	2	2	9653-0001-04	Spårryttare	Lock ring		
24	2	2	2	2	2	9598-0003-02	Låsnål	Spring pin		
25	2	2	2	2	2	1134-3710-01	Redskapsfäste	Tool attachment		
26	2	2	2	2	2	9699-0042-02	Planbricka	Flat washer		
X X X			1	1	1	13-0992-61	Snabbfäste kpl	Quick connections		Inkl. pos 46-53
			1	1	1	1134-7465-01	• Fästen kpl, vä+hö	• Attachment kit, LH+RH		Inkl. pos 50-51
			2	2	2	9598-2001-02	• Låsnål	• Spring pin		
			2	2	2	9548-0026-01	• Glidlager	• Bearing		
			2	2	2	9898-1035-16	• Skruv	• Screw		
			2	2	2	9739-1031-22	• Mutter	• Nut		
			2	2	2	1134-0341-01	• Bricka	• Washer		
			2	2	2	9699-0042-02	• Planbricka	• Flat washer		
			2	2	2	9599-0080-02	• Saxsprint	• Cotter pin		
99			2	2	2	9545-0203-00	Innerslang	Inner tube		Reservdel/spare part



Utgåva Issue		Bildnr Picture No		PARK 2WD KRAFTUTTAG		PARK 2WD POWER TAKE- OFF		Sida Page	
2008- 11		1030G						100	
Pos. Fig.	Antal/Quantity				Art nr Part No	Benämning	Description	Sats Kit	Anmärkning Notes
	6141 6142 6144 6179	6182 6183 6184 6189	6180	6193 6195					
1	1	1	1	1	1134-5548-01	Distans	Spacer		
2	1	1	1	1	1134-5109-01	Spännhjularm	Tension wheel arm		
3	1	1	1	1	1134-1770-01	Spännrulle	Tension roller		
4	1	1	1	1	1134-1888-04	Distans	Spacer		
5	1	1	1	1	1134-5111-01	Fjäder	Spring		
6	1	1	1	1	9699-0056-02	Planbricka	Flat washer		
7	1	1	1	1	9739-0831-22	Mutter	Nut		
8	1	1	1	1	9997-0855-12	Skruv	Screw		
10	1	1	1	1	1134-1769-03	Centrumremskiva kpl	Centre pulley assy		
11	1	1	1	1	1134-0051-09	• Distans	• Spacer		
12	2	2	2	2	9549-0019-00	• Kullager	• Ball bearing		
13	1	1	1	1	1134-5112-01	Fjäderfäste	Spring attachment		
14	2	2	2	2	9945-0816-16	Skruv	Screw		
15	1	1	1	1	1134-5110-01	Hake	Hook		
16	2	2	2	2	9893-0616-16	Skruv	Screw		
18	1	1	1	1	1134-2018-02	Spännarm	Tension arm		
19	1	1	1	1	1134-9027-02	Spännrulle- grå	Tension roller- grey		
20	1	1	1	1	1134-9071-01	Drivrem	V- belt		= 9585-0129-01
21	1	1	1	1	9997-1030-16	Skruv	Screw		
22	1	1	1	1	9799-1031-02	Mutter	Nut		
23	1	1	1	1	1134-4111-01	Bromsarm	Brake arm		
24	1	1	1	1	1134-4164-03	Bromsklots	Brake pad		
25	1	1	1	1	9897-0825-16	Skruv	Screw		
26	1	1	1	1	9747-0831-02	Mutter	Lock nut		
27	1	1	1	1	1134-4162-01	Bromsstång	Brake rod		
28	1	1	1	1	9675-0008-02	Starlock	Locking washer		
29	1	1	1	1	1134-4170-01	Nippel	Nipple		
30	1	1	1	1	9699-0025-02	Planbricka	Washer		
31	1	1	1	1	9747-0631-02	Låsmutter	Lock nut		
32	1	1	1	1	4231-0013-00	Fjäder	Spring		
33	1	1	1	1	1134-4231-01	Dragfjäder	Spring		
34	1	1	1	1	1134-1565-10	Distans	Spacer		
35	1	1	1	1	9997-0860-16	Skruv	Screw		
36	1	1	1	1	9699-0056-02	Planbricka	Flat washer		
37	1	1	1	1	9739-0831-22	Mutter	Nut		
38	1	1	1	1	1134-4163-01	Ansatsskruv	Shoulder bolt		
39	1	1	1	1	9731-1031-22	Mutter	Nut		
40	1	1	1	1	1134-3958-01	Remstyrning	Belt guide		
41	2	2	2	2	9893-0616-16	Skruv	Screw		
42	1	1	1	1	1134-0041-03	Hylsa	Collar		
43	1	1	1	1	9997-1070-12	Skruv	Screw		
44	1	1	1	1	9739-1031-22	Mutter	Nut		
45	1	1	1	1	1134-3654-01	Fingerskydd	Finger guard		
46	2	2	2	2	9959-0612-16	Skruv	Screw		
47	2	2	2	2	9739-0631-22	Mutter	Nut		
48	1	1	1	1	9699-0090-02	Planbricka	Flat washer		
49	2	2	2	2	9699-0035-02	Planbricka	Flat washer		