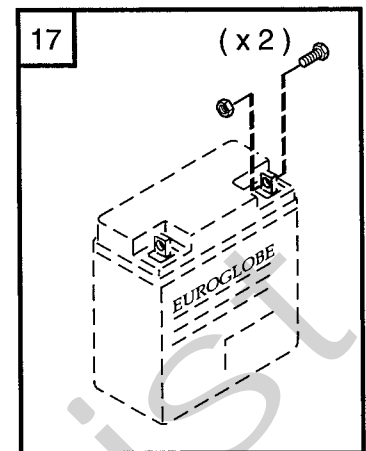
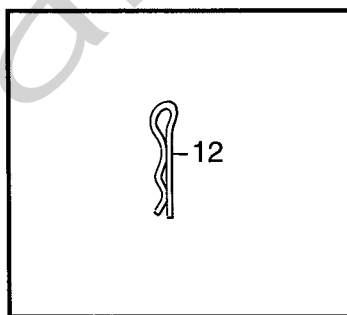
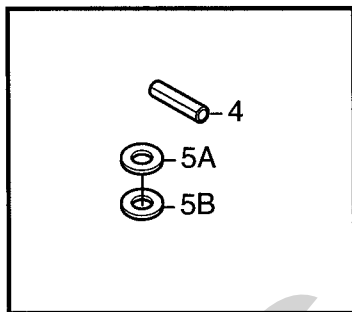
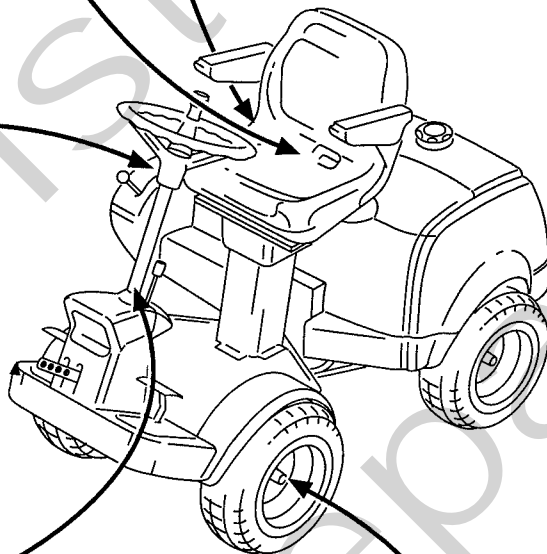
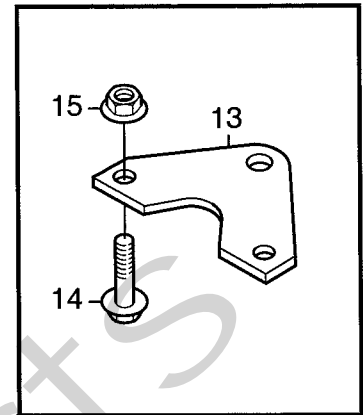
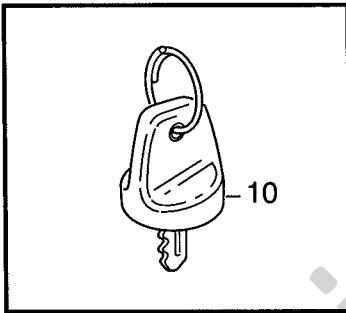
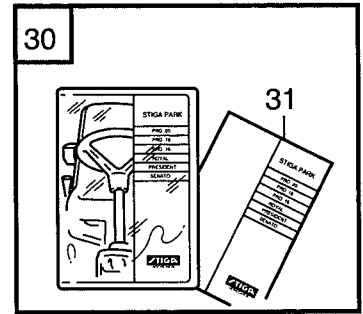
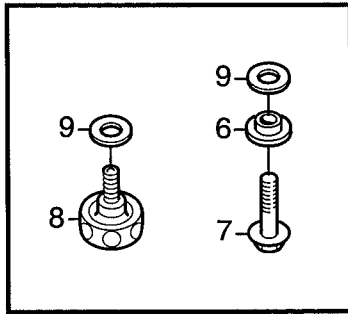
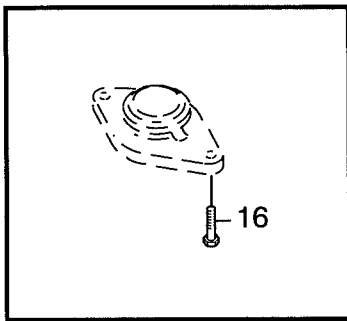


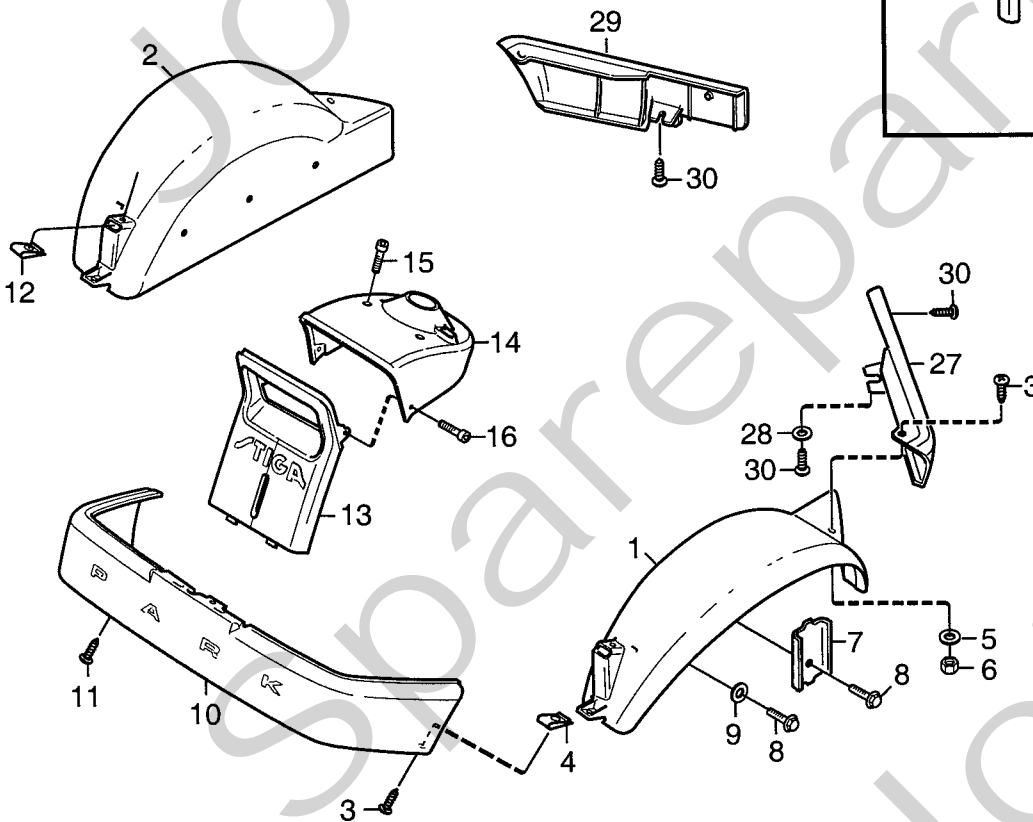
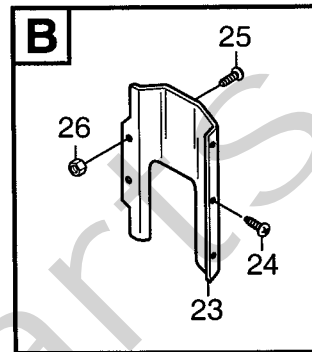
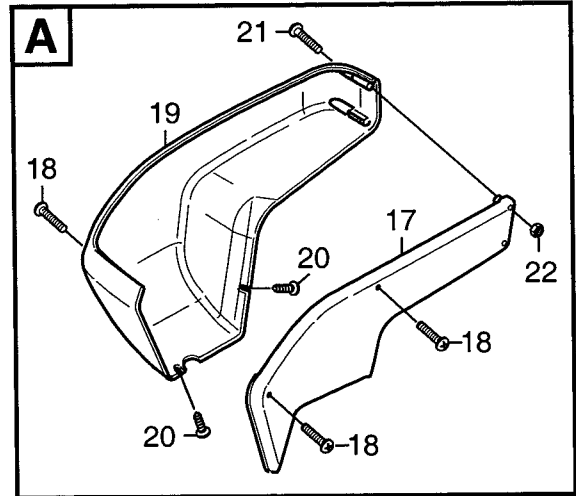
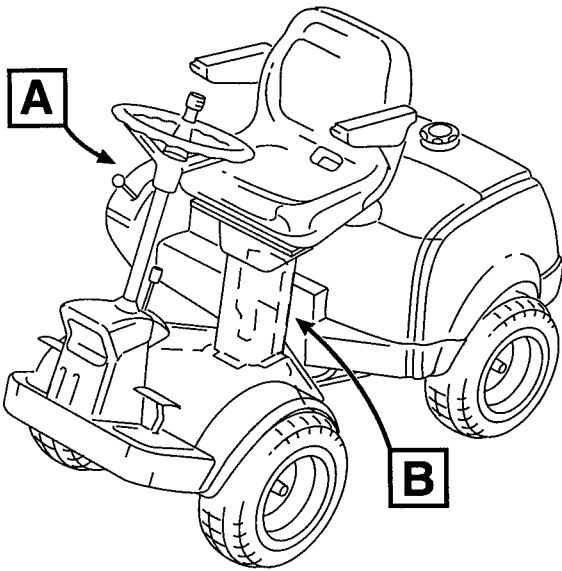
Genuine Spare Parts



Joist
Spareparts
Joist

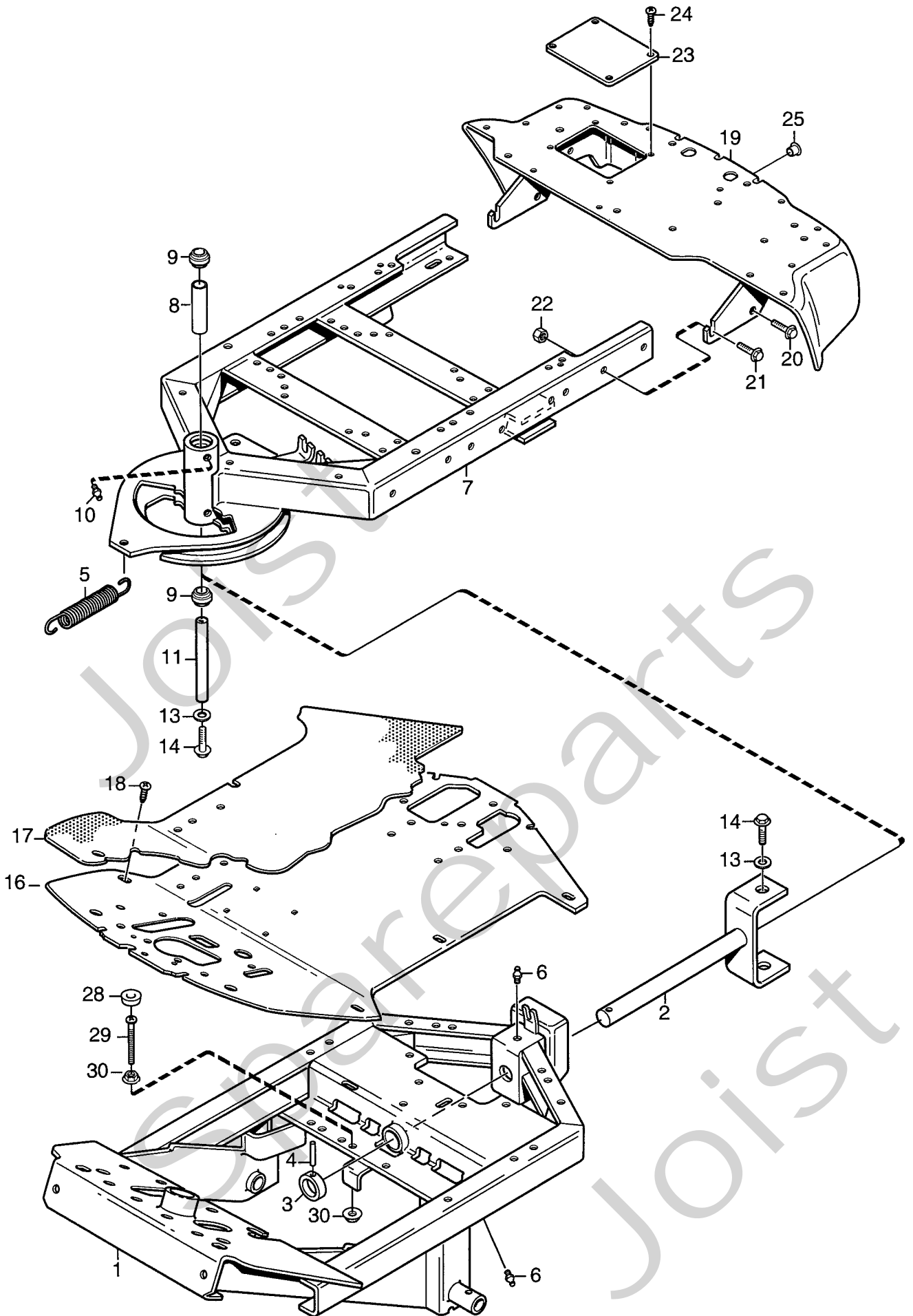


Utgåva Issue 2006-11		Bildnr Picture No 1022G		PARK PRESIDENT MONTERINGSDETALJER		PARK PRESIDENT ASSEMBLY PARTS		Sida Page 48	
Pos. Fig.	Antal/Quantity			Art nr Part No	Benämning	Description	Sats Kit	Anmärkning Notes	
	6113 -17								
0	1			1134-4249-01	Monteringsdetaljer.....	Assembly parts			
4	1			9595-0262-00	• Spännstift	• Locating pin			
5A	1			9699-0103-02	• Shims	• Flat washer		0.5 mm	
5B	1			9699-0114-02	• Shims	• Flat washer		1.0 mm	
6	2			1134-4185-01	• Ansatsbricka	• Flange washer			
7	2			9959-0820-16	• Skruv	• Screw			
8	2			1134-2609-01	• Ratt	• Knob			
9	4			9699-0056-02	• Planbricka	• Flat washer			
10	2			1134-4734-01	• Tändningsnyckel.....	• Ignition key			
12	2			9598-0003-02	• Låsnål	• Spring pin			
13	1			1134-4003-01	• Dragplatta	• Towing plate			
14	2			9959-0820-16	• Skruv	• Screw			
15	2			9739-0831-22	• Mutter	• Nut			
16	2			9837-8914-12	• Skruv	• Screw			
17	1			1134-6113-01	• Batteriskruvar	• Battery screws			
30	1			1134-3771-68	Mapp m. trycksaker.....	Folder w. manuals.....			
X	31	1		8211-0209-13	• Säkerhetsföreskrifter	• Safety regulations			
X	31	1		8211-0276-10	• Bruksanvisning	• Owner's manual			
X	31	1		8211-0278-08	• Monteringsanvisning	• Assy instructions			
X	31	1		8211-0349-02	• EG- Deklaration	• Certificate			
X	31	1		8211-0544-02	• Servicebok	• Service book			
X	31	1		8211-2002-03	• Garantikort.....	• Warranty card			



Utgåva Issue		Bildnr Picture No		PARK PRESIDENT KAROSS-FRAM		PARK PRESIDENT BODY WORK-FRONT		Sida Page	
2006-11		1831						50	
Pos. Fig.	Antal/Quantity			Art nr Part No	Benämning	Description	Sats Kit	Anmärkning Notes	
	6113 -17								
1	1			1134-3943-01	Skärm-vå, gul	Mud guard-LH, yell.....			
2	1			1134-3943-02	Skärm-hö, gul	Mud guard-RH, yell.....			
3	4			9893-0616-16	Skruv	Screw			
4	2			1134-4176-01	Clips	Clips.....			
5	2			9699-0025-02	Planbricka	Washer			
6	2			9747-0631-02	Låsmutter	Lock nut			
7	2			1134-0225-00	Stödplåt	Support plate			
8	6			9945-0816-16	Skruv	Screw			
9	4			9699-0056-02	Planbricka	Flat washer			
10	1			1134-3944-02	Stötfångare-gul	Bumper-yellow			
11	6			9893-0616-16	Skruv	Screw			
12	2			1134-4176-01	Clips	Clips.....			
13	1			1134-4216-03	Frontdekor-svart	Front plate-black.....			
14	1			1134-3984-02	Frontdekor övre-svart	Front plate upper-bl.....			
15	2			9946-0525-16	Skruv	Screw			
16	2			9840-8019-16	Skruv	Screw			
17	1			1134-4360-01	Kåpa-inre	Cover-inner			
18	3			9946-0525-16	Skruv	Screw			
19	1			1134-3979-01	Kåpa-yttre	Cover-outer			
20	2			9840-8019-16	Skruv	Screw			
21	2			9950-0570-12	Skruv	Screw			
22	2			9747-0531-02	Mutter	Nut			
23	1			1134-4152-01	Skyddskåpa	Cover			
24	3			9893-0616-16	Skruv	Screw			
25	2			9893-0616-16	Skruv	Screw			
26	2			9739-0631-22	Mutter	Nut			
27	1			1134-3970-06	Kantlist-vå, svart	Moulding-LH, black.....			
28	2			9699-0060-02	Planbricka	Flat washer			
29	1			1134-3970-04	Kantlist-hö, svart	Moulding-RH, black.....			
30	4			9893-0616-16	Skruv	Screw			

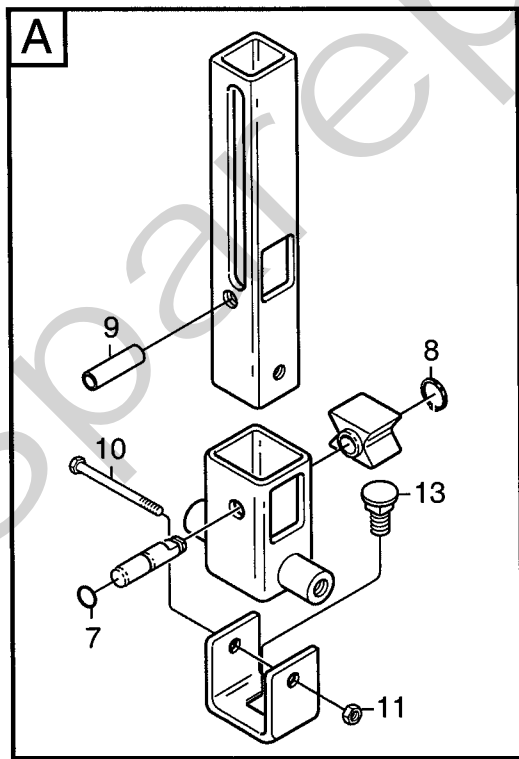
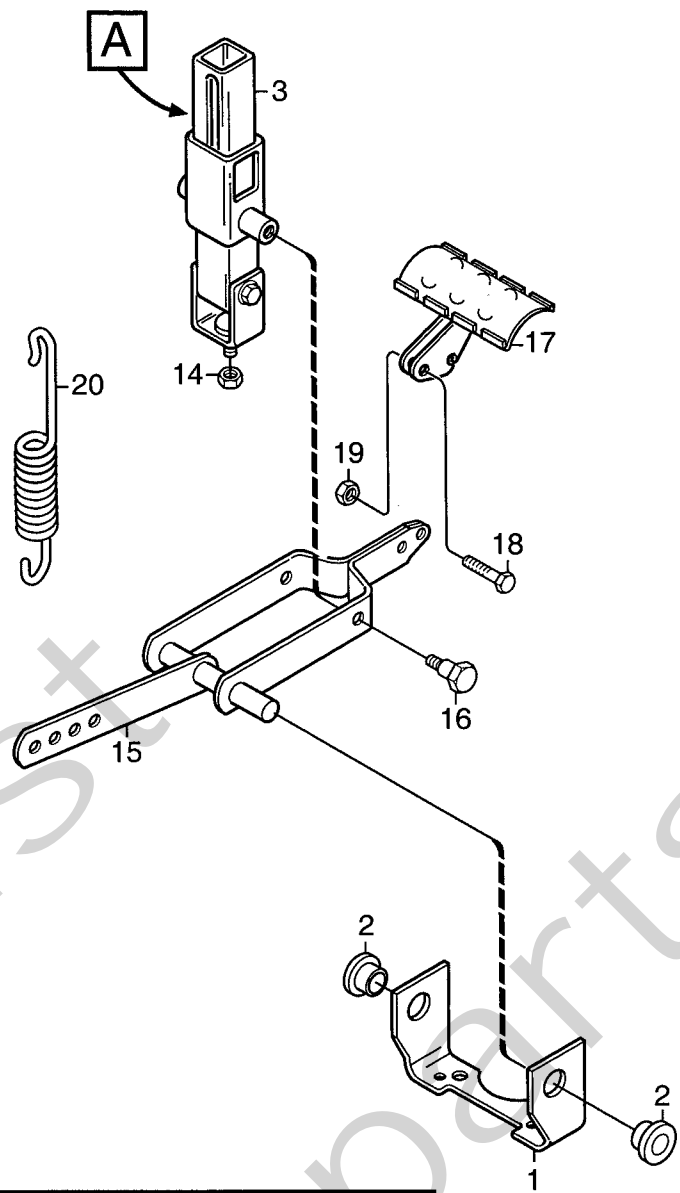
Utgåva Issue 2006-11		Bildnr Picture No 1832B		PARK PRESIDENT KAROSS- BAK		PARK PRESIDENT BODY WORK- REAR		Sida Page 52	
Pos. Fig.	Antal/Quantity			Art nr Part No	Benämning	Description	Sats Kit	Anmärkning Notes	
	6113 -17								
1	1			1134-4797-01	Motorhuv.....	Engine hood.....			
2	1			1134-4799-02	Handtag.....	Handle.....			
3	2			9838-9516-12	Skruv.....	Screw.....			
4	1			1134-9028-01	Gummistropp- sats.....	Rubber strap kit.....		Sats 3 st/kit of 3	
5	1			9632-0516-00	Popnit.....	Pop rivet.....			
6	1			9699-0120-02	Bricka.....	Washer.....			
7	1			1134-3971-02	Motorlucka- svart.....	Engine cover- black.....			
8	1			1134-3978-01	Luftkanalplatta- djup.....	Air duct plate- deep.....			
9	7			9675-0008-02	Starlock.....	Locking washer.....			
10	1			1134-4798-02	Spoiler- svart.....	Spoiler- black.....			
11	1			9405-0029-00	Knopp.....	Knob.....			
12	1			9632-0513-00	Popnit.....	Pop rivet.....			
13	1			9699-0120-02	Bricka.....	Washer.....			
14	4			9893-0616-16	Skruv.....	Screw.....			
15	1			1134-4012-03	Stödkonsol- hö.....	Support- RH.....			
16	1			1134-4012-04	Stödkonsol- vä.....	Support- LH.....			
17	2			9959-0816-16	Skruv.....	Screw.....			
18	2			9739-0831-22	Mutter.....	Nut.....			
19	1			1134-3985-01	Täcklock.....	Cover.....			
20	2			9893-0616-16	Skruv.....	Screw.....			
25	1			1134-4222-02	Tätningarring.....	Seal ring.....		H=15, Ø=190/226 mm	
99	1			1134-4593-02	Dekalsats.....	Decal kit.....			



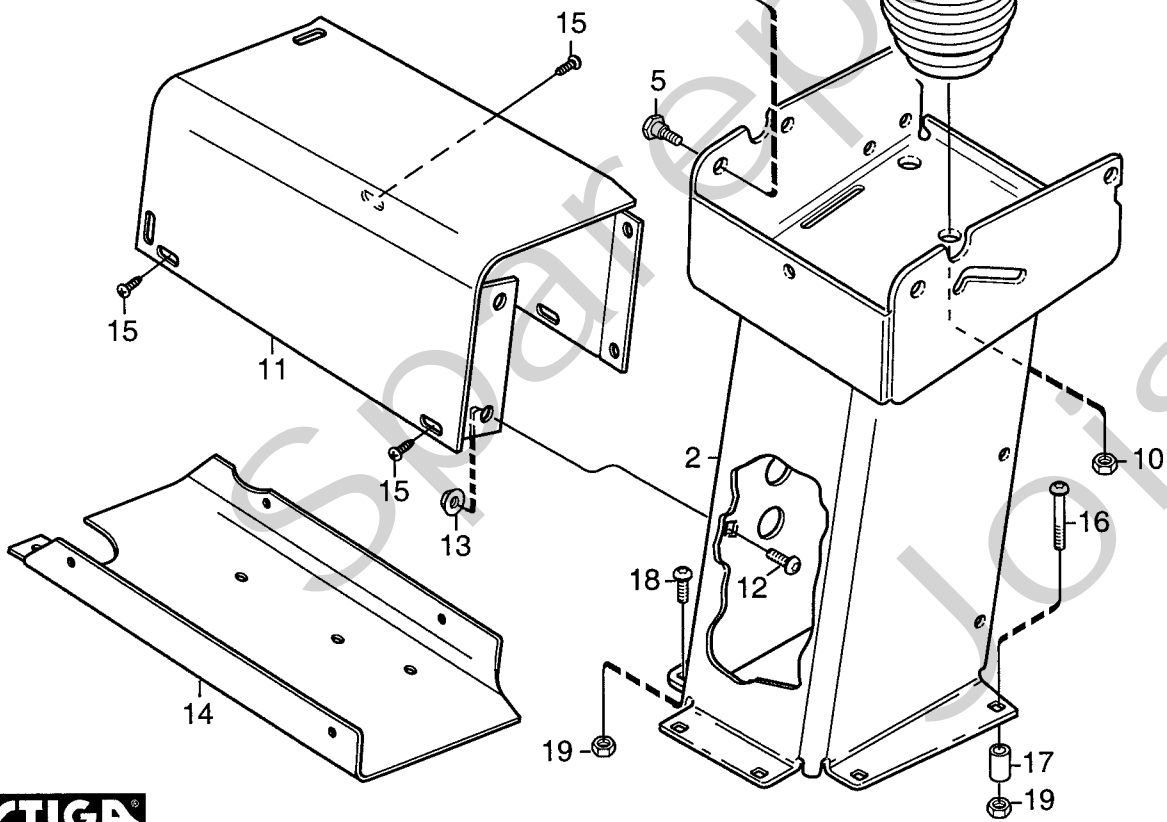
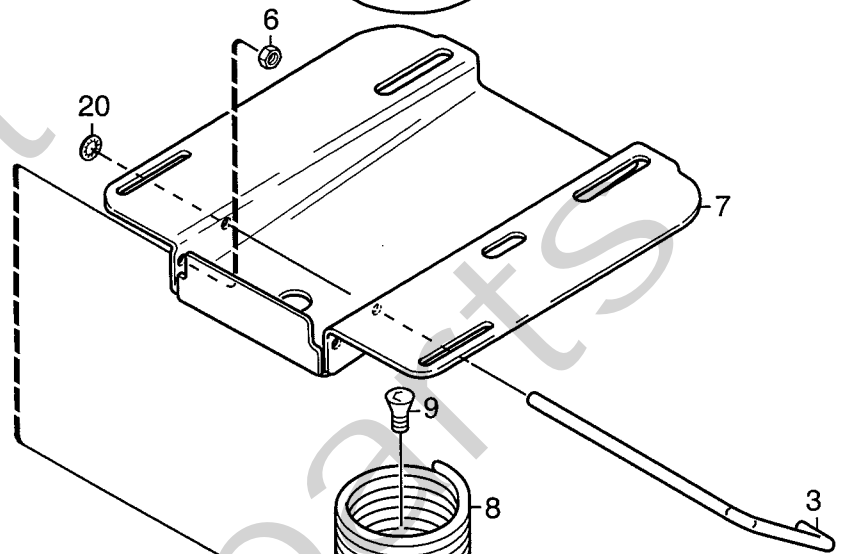
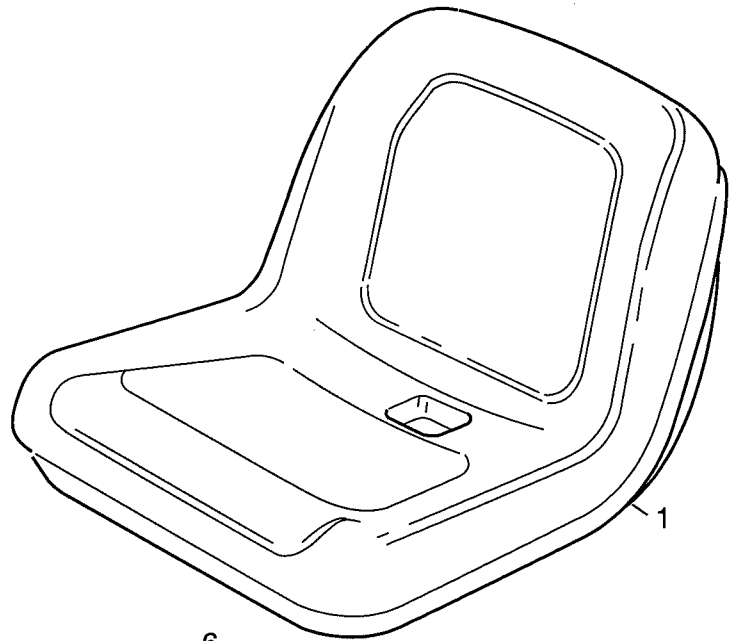
Utgåva Issue 2006-11		Bildnr Picture No 1014F		PARK PRESIDENT RAM		PARK PRESIDENT FRAME		Sida Page 54	
Pos. Fig.	Antal/Quantity			Art nr Part No	Benämning	Description	Sats Kit	Anmärkning Notes	
	6113 -17								
1	1			1134-5315-02	Ram-främre	Frame- front			
2	1			1134-3963-02	• Midjegaffel	• Clevis			
3	1			1134-0031-00	• Ledaxelstopp	• Pivot shaft stop			
4	1			9595-0262-00	• Spännstift	• Locating pin			
5	1			1134-2171-01	Fjäder	Spring			
6	2			9501-0500-00	Smörjnippel	Grease joint			
7	1			1134-6081-01	Ram- bakre	Frame- rear			
8	1			1134-5705-01	• Distans	• Spacer			
9	2			9547-0001-00	• Ledlager	• Bearing			
10	2			9501-0500-00	• Smörjnippel	• Grease joint			
11	1			1134-5988-01	Centrumaxel	Centre shaft			
13	2			9699-0035-02	Planbricka	Flat washer			
14	2			9959-1025-16	Skruv	Screw			
16	1			1134-5294-01	Durk	Floor plate			
17	1			1134-5514-03	Durkmatta	Floor mat			
18	2			9893-0616-16	Skruv	Screw			
19	1			1134-4833-04	Stötfångare- svart	Bumper- black			
20	2			9945-0816-16	Skruv	Screw			
21	2			9959-0820-16	Skruv	Screw			
22	2			9739-0831-22	Mutter	Nut			
23	1			1134-4167-01	Lucka	Cover			
24	4			9840-8009-16	Skruv	Screw			
25	2			1134-4100-01	Täckpropp	Plug			
28	1			1134-4975-01	Gummibuffert	Rubber block			
29	1			9950-0570-12	Skruv	Screw			
30	2			9739-0531-22	Mutter	Nut			

X

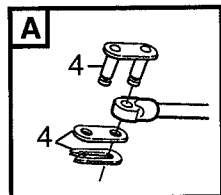
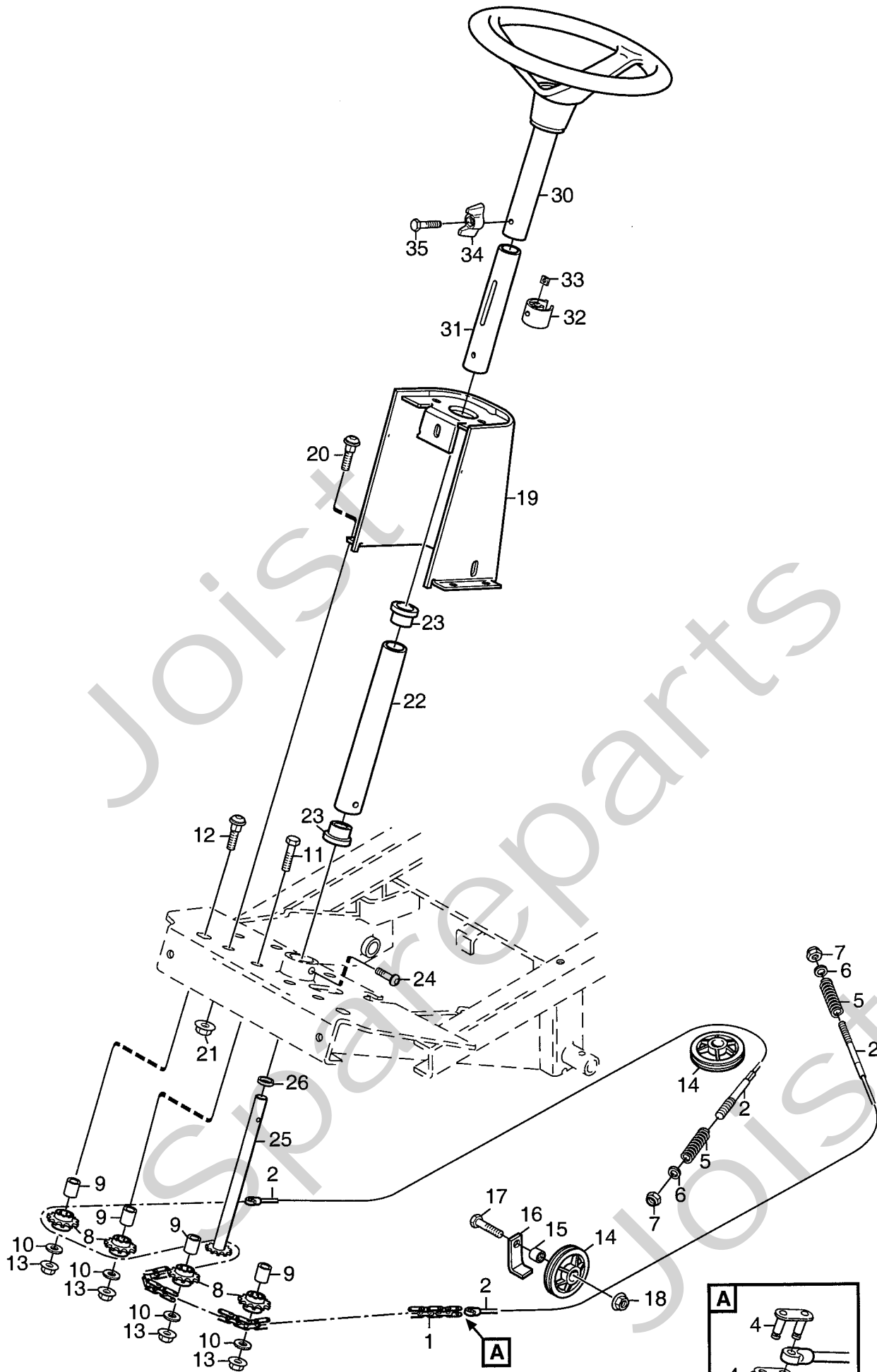
Spareparts Joist

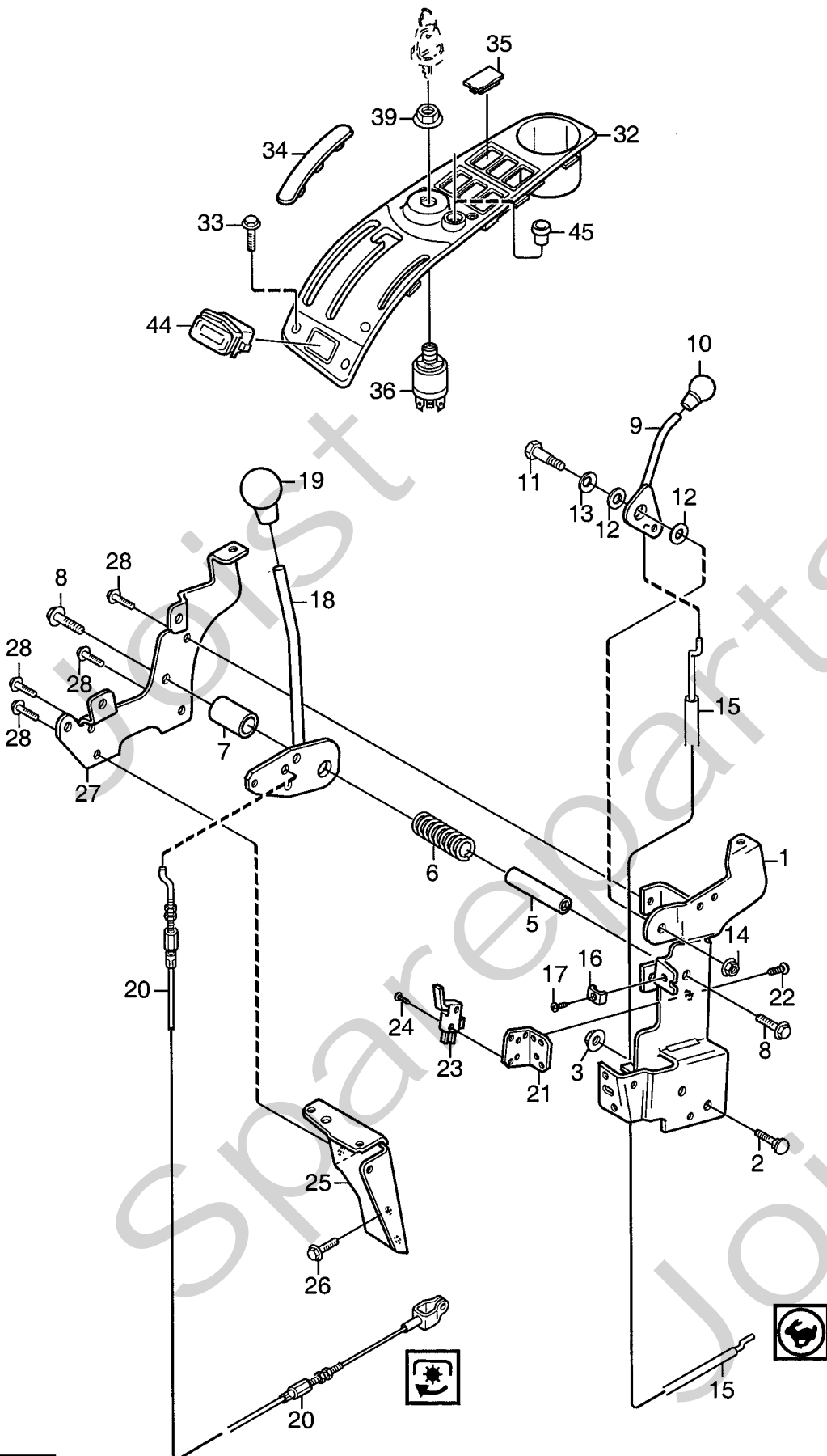


Utgåva Issue		Bildnr Picture No		PARK PRESIDENT PEDALLYFT		PARK PRESIDENT PEDAL LIFT		Sida Page	
2006-11		1023D						56	
Pos. Fig.	Antal/Quantity			Art nr Part No	Benämning	Description	Sats Kit	Anmärkning Notes	
	6113 -17								
1	1			1134-4117-01	Fäste	Bracket			
2	2			1134-2684-01	Lager	Bearing			
3	1			1134-4945-01	Lyftspärr kpl	Lift catch assy			
7	1			9404-0027-01	• O-ring	• O-ring			
8	1			9650-0039-04	• Seegersäkring	• Lock ring			
9	1			9595-0276-01	• Spännstift	• Locating pin			
10	1			9997-0640-12	• Skruv	• Screw			
11	1			9747-0631-02	• Låsmutter	• Lock nut			
13	1			9897-0820-16	• Skruv	• Screw			
14	1			9747-0831-02	Mutter	Lock nut			
15	1			1134-4860-01	Lyftgaffel	Lift fork			
16	2			1134-0240-00	Ansatssskruv	Shoulder screw			
17	1			1134-4938-01	Lyftpedal	Lift pedal			
18	2			9997-0625-16	Skruv	Screw			
19	2			9739-0631-22	Mutter	Nut			
20	1			4231-0013-00	Fjäder	Spring			

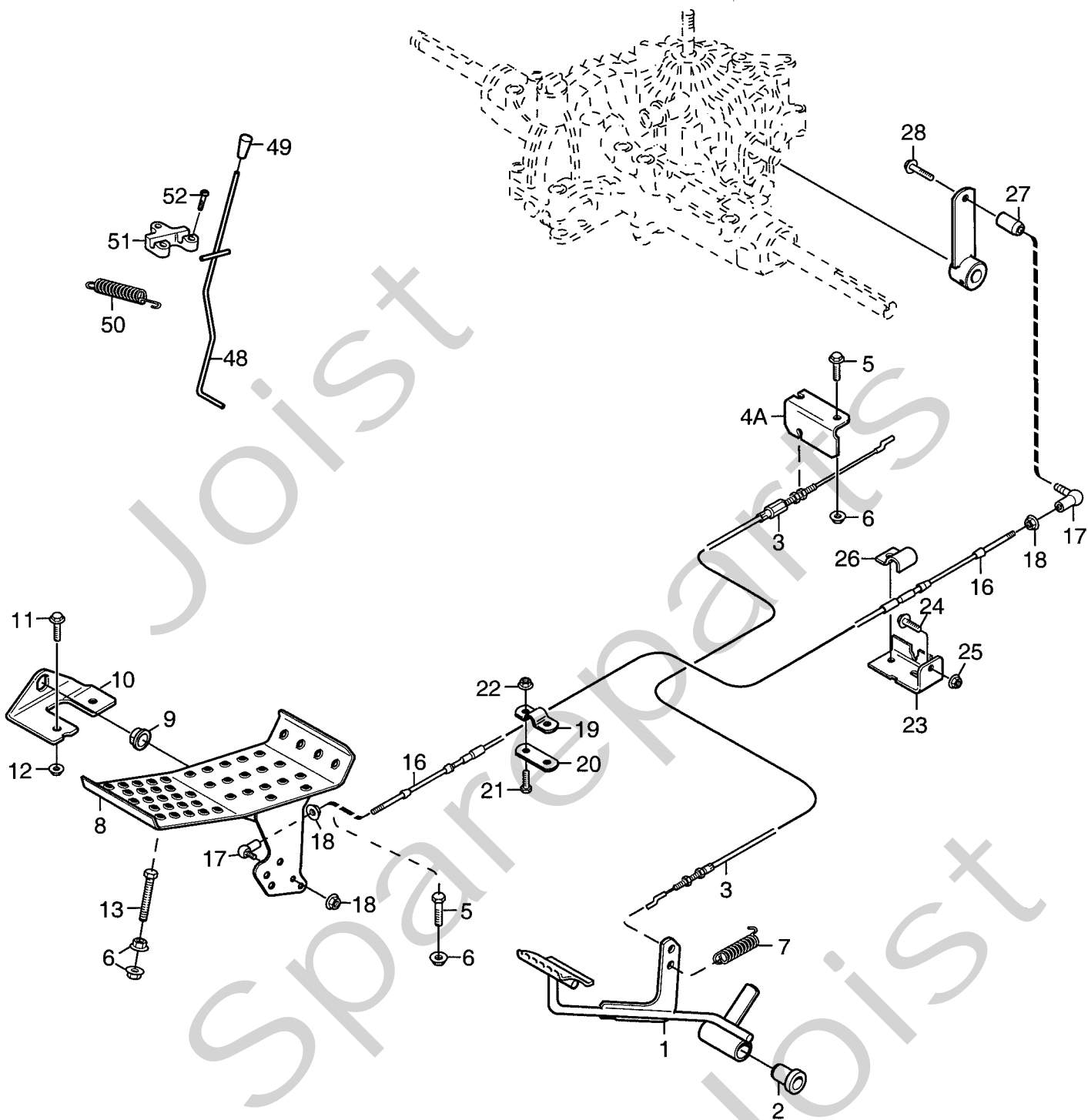


Utgåva Issue		Bildnr Picture No		PARK PRESIDENT SITS		PARK PRESIDENT SEAT		Sida Page	
2006-11		1027D						58	
Pos. Fig.	Antal/Quantity			Art nr Part No	Benämning	Description	Sats Kit	Anmärkning Notes	
	6113 -17								
1	1			1134-4223-01	Sits	Seat			
2	1			1134-4211-07	Sitskonsol- gul	Seat bracket- yellow			
3	1			1134-5179-01	Spärr	Catch			
5	2			1134-0240-00	Ansätsskruv	Shoulder screw			
6	2			9747-0831-02	Mutter	Lock nut			
7	1			1134-4628-05	Överdel	Seat plate			
8	1			1134-4256-01	Sitsfjäder	Seat spring			
9	1			9924-1230-19	Skruv	Screw			
10	1			9747-1231-02	Låsmutter	Lock nut			
11	1			1134-3990-01	Armsvep	Attachment- side panel			
12	2			9897-0820-16	Skruv	Screw			
13	2			9739-0831-22	Mutter	Nut			
14	1			1134-4130-01	Lock- undre	Cover- lower			
15	4			9840-8019-16	Skruv	Screw			
16	2			9897-0880-12	Skruv	Screw		L = 80 mm	
17	2			1134-1565-08	Distans	Spacer			
18	4			9897-0820-16	Skruv	Screw		L = 20 mm	
19	6			9747-0831-02	Mutter	Lock nut			
20	1			9675-0012-02	Starlock	Locking washer			

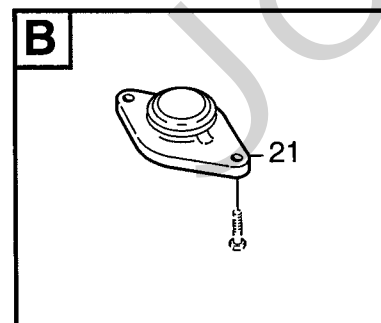
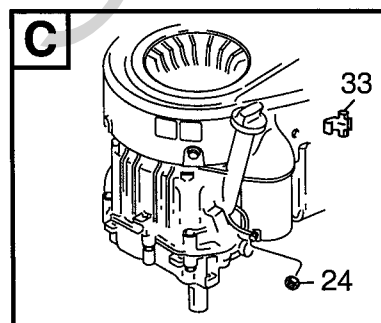
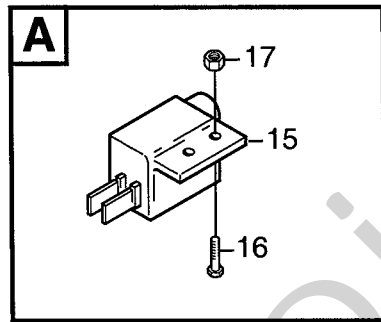
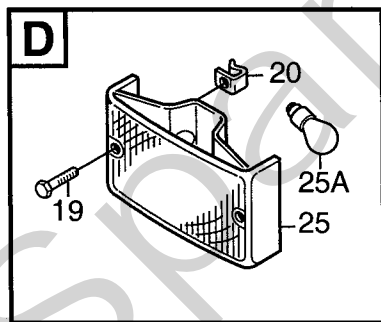
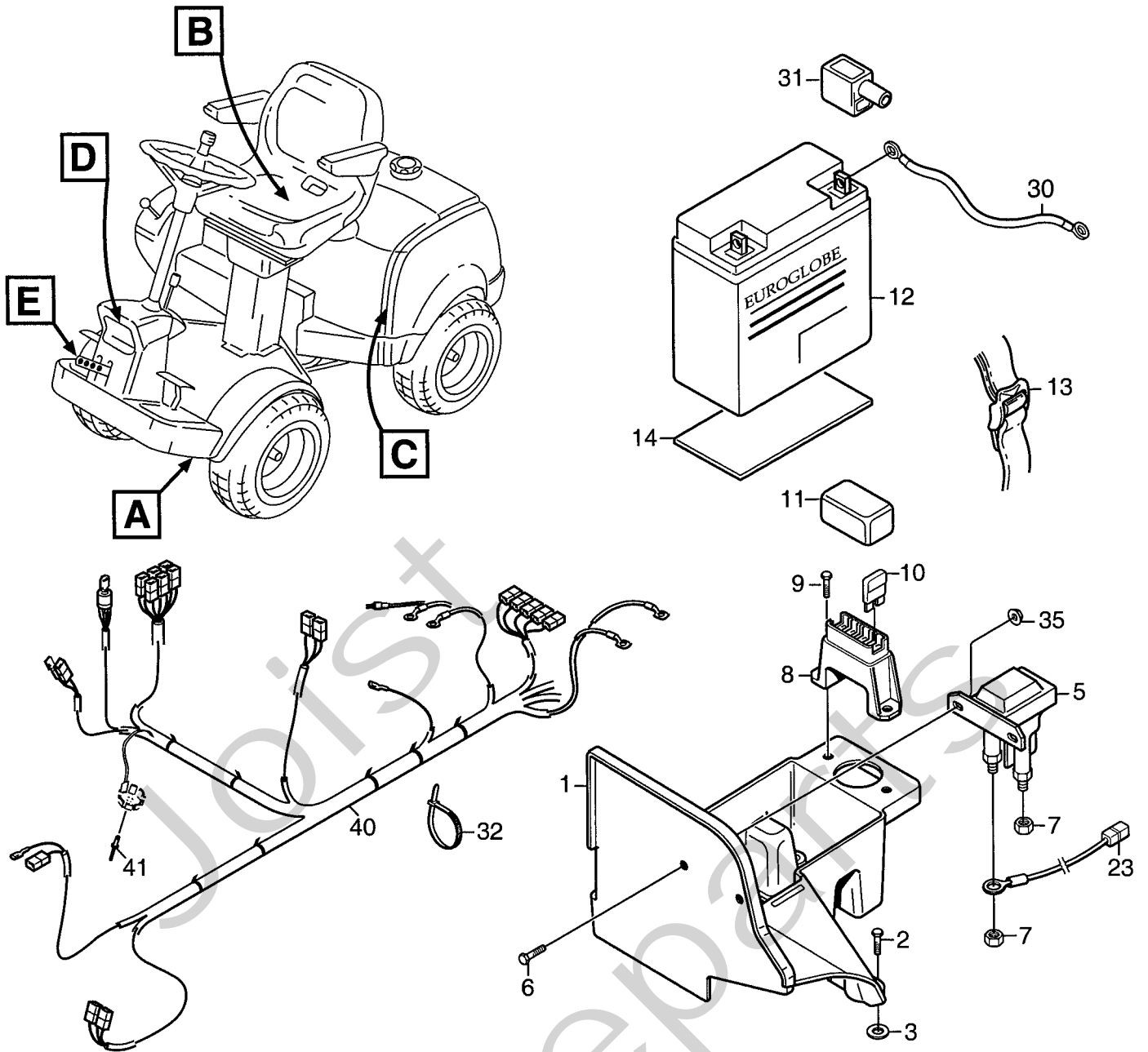




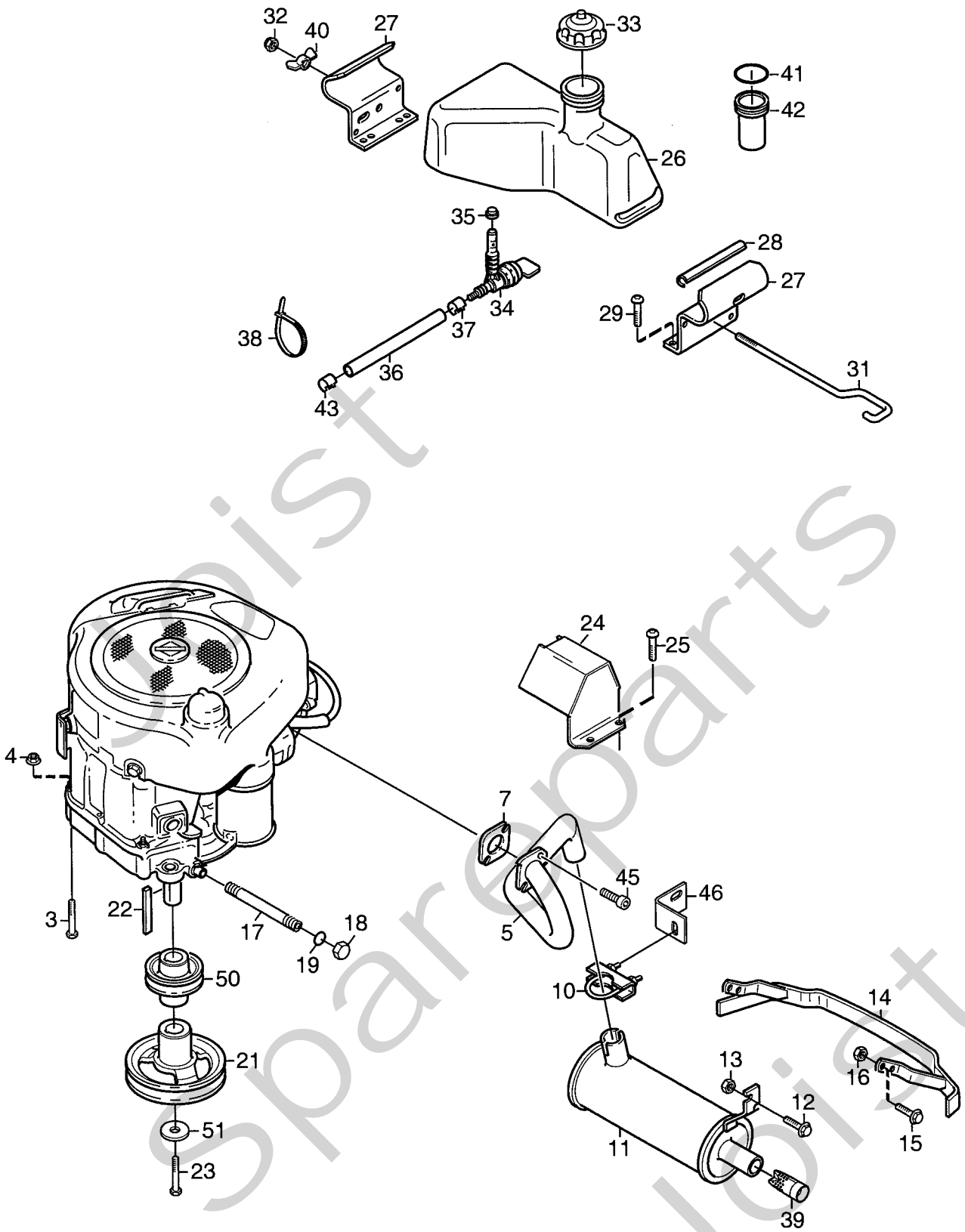
Utgåva Issue		Bildnr Picture No		PARK PRESIDENT HANDREGLAGE		PARK PRESIDENT HAND CONTROLS		Sida Page	
2006-11		1991B						62	
Pos. Fig.	Antal/Quantity				Art nr Part No	Benämning	Description	Sats Kit	Anmärkning Notes
	6113 -17								
1	1			1134-4156-01	Vinkelhållare	Panel bracket- inner			
2	2			9897-0820-16	Skruv	Screw			
3	2			9739-0831-22	Mutter	Nut			
5	1			1134-4065-01	Reglageaxel	Control shaft			
6	1			1134-4079-01	Fjäder	Spring			
7	1			1134-4080-03	Reglagehylsa	Control sleeve			
8	2			9959-0820-16	Skruv	Screw			
9	1			1134-4077-01	Gasreglage	Throttle control			
10	1			1134-4078-01	Knopp	Knob			
11	1			1134-0240-00	Ansattsskruv	Shoulder screw			
12	2			1134-4242-01	Distansbricka	Spacer washer			
13	1			9694-0001-00	Fjäderbricka	Washer			
14	1			9739-0831-22	Mutter	Nut			
15	1			1134-4197-01	Gaswire	Throttle cable			
16	1			9500-9991-00	Wireklämma	Cable clamp			
17	1			9943-0516-16	Skruv	Screw			
18	1			1134-4072-01	Aggregatspak	Control lever			
19	1			1134-2551-01	Reglageknopp	Knob			
20	1			1134-3573-03	Wire	PTO cable			
21	1			1134-5358-01	Brytarfäste	Switch bracket			
22	2			9852-8013-16	Skruv	Screw			
23	1			9400-0285-01	Microbrytare	Switch			
24	2			9840-7716-16	Skruv	Screw		L = 16 mm	
25	1			1134-4487-02	Frontfäste	Panel bracket			
26	2			9893-0616-16	Skruv	Screw			
27	1			1134-3986-01	Frontplåt	Front plate			
28	4			9893-0616-16	Skruv	Screw			
X 32	1			1134-6096-05	Kassett	Dashboard			
33	4			9946-0525-16	Skruv	Screw			
34	1			1134-4154-01	Täckbricka	Cover			
35	6			1134-4129-01	Täckbricka	Cover			
36	1			1134-4093-01	Tändningslås	Ignition switch			
39	1			1134-4749-01	Mutter	Nut			
X 44	1			1134-6097-01	Timräknare	Hour meter			
45	1			1134-4100-01	Täckpropp	Plug			



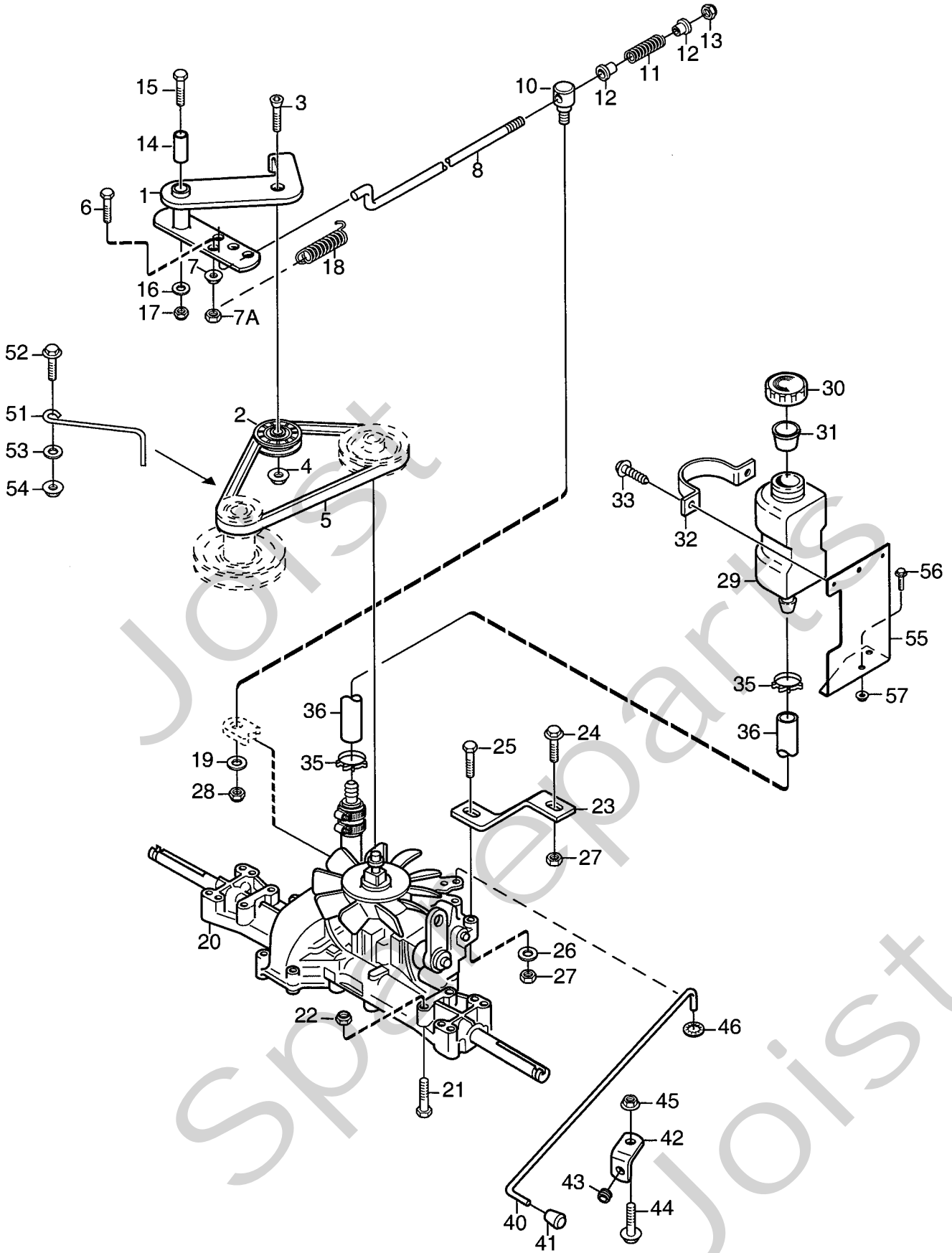
Utgåva Issue		Bildnr Picture No		PARK PRESIDENT FOTREGLAGE		PARK PRESIDENT FOOT CONTROLS		Sida Page	
2006- 11		1992A						64	
Pos. Fig.	Antal/Quantity			Art nr Part No	Benämning	Description	Sats Kit	Anmärkning Notes	
	6113 -17								
1	1			1134-4247-01	Broms/kopplingspedal.....	Brake/clutch pedal.....			
2	1			1134-9024-01	Lager	Bearing		Sats 4 st/kit of 4	
3	1			1134-3584-03	Broms/kopplingswire.....	Brake/clutch cable.....			
4A	1			1134-3906-01	Wirefäste	Cable holder			
5	3			9959-0816-16	Skruv	Screw			
6	5			9739-0831-22	Mutter	Nut			
7	1			1134-3974-01	Fjäder	Spring			
8	1			1134-4008-03	Drivpedal	Drive pedal			
9	2			1134-2780-01	Lager	Bearing			
10	2			1134-2700-01	Fäste	Bracket			
11	2			9959-0820-16	Skruv	Screw			
12	2			9739-0831-22	Mutter	Nut			
13	1			9997-0870-16	Skruv	Screw			
16	1			1134-2766-05	Reglagewire.....	Speed control cable			
17	2			9570-0001-00	Vinkellänk	Elbow link			
18	3			9739-0531-22	Mutter	Nut			
19	1			1134-0266-00	Fästbygel	Attaching clamp			
20	1			1134-0267-00	Underläggsbleck.....	Clamp plate			
21	2			9997-0520-16	Skruv	Screw			
22	2			9739-0531-22	Mutter	Nut			
23	1			1134-3395-01	Fäste	Attachment.....			
24	2			9959-0820-16	Skruv	Screw		L = 20 mm	
25	2			9739-0831-22	Mutter	Nut			
26	1			1134-2021-01	Växelwirefäste	Clamp			
27	1			1134-4013-01	Distans	Spacer			
28	1			9959-0820-16	Skruv	Screw			
48	1			1134-5101-01	Bromsstång	Brake rod			
49	1			1134-3808-01	Knopp	Knob			
50	1			1131-1497-01	Fjäder.....	Spring			
51	1			1134-4002-01	Fäste	Brake rod attachment.....			
52	3			9838-9516-12	Skruv	Screw			



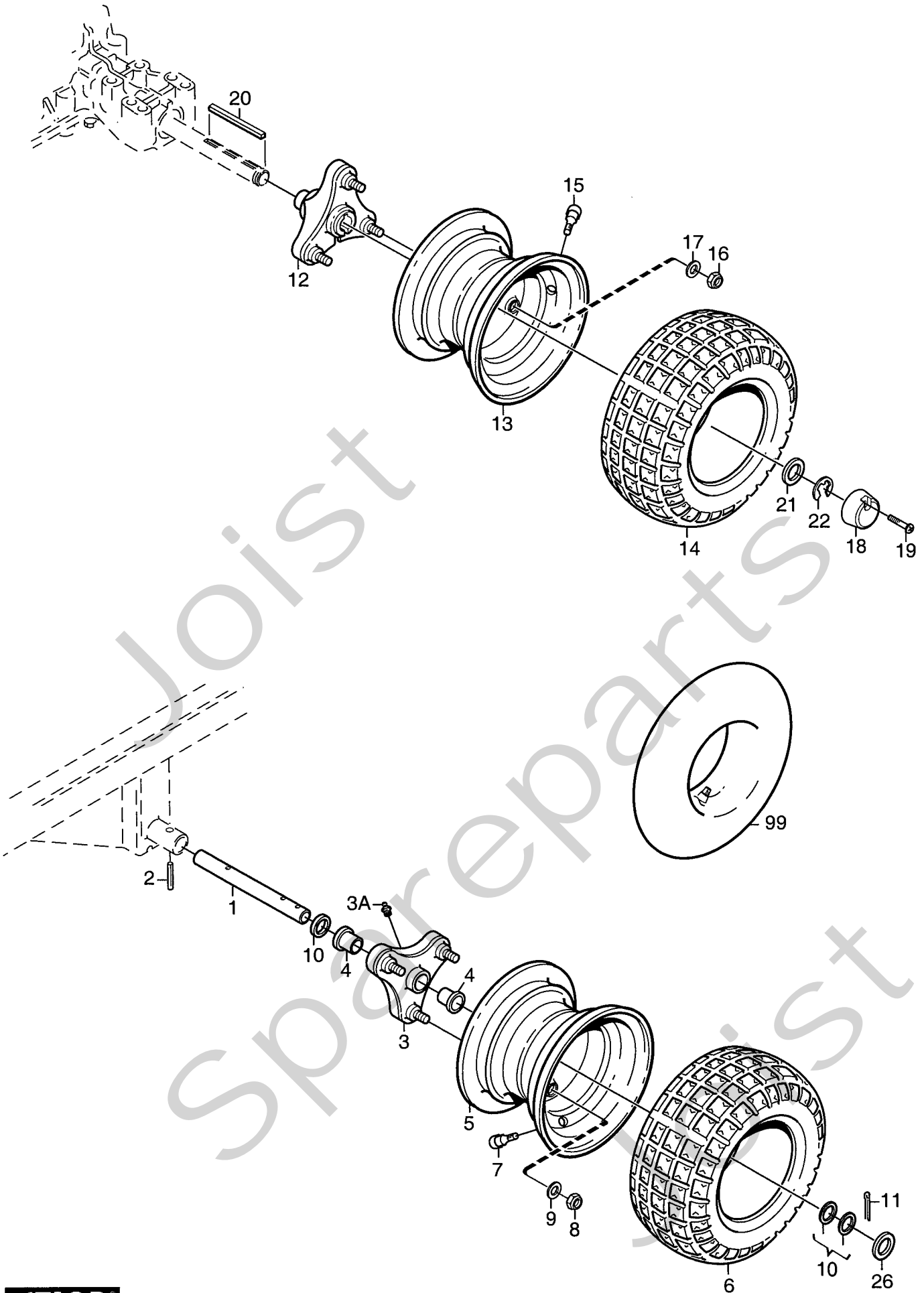
Utgåva Issue 2006-11		Bildnr Picture No 1993A		PARK PRESIDENT ELUTRUSTNING		PARK PRESIDENT EL. EQUIPMENT		Sida Page 66	
Pos. Fig.	Antal/Quantity			Art nr Part No	Benämning	Description	Sats Kit	Anmärkning Notes	
	6113 -17								
1	1			1134-4806-01	Batterihylla.....	Battery shelf.....			
2	3			9893-0616-16	Skruv.....	Screw.....			
3	2			9699-0060-02	Planbricka.....	Flat washer.....			
5	1			1134-2962-01	Solenoid kpl.....	Solenoid assy.....		Inkl. pos 7	
6	2			9893-0616-16	Skruv.....	Screw.....			
7	2			9794-5131-02	• Mutter.....	• Nut.....			
8	1			1134-3491-01	Säkringshållare.....	Fuse holder.....			
9	2			9838-9516-12	Skruv.....	Screw.....			
10	1			1134-3496-06	Säkring.....	Fuse.....		20A	
11	1			1134-3631-01	Lock-säkringsdosa.....	Cover-fuse holder.....			
12	1			1134-4804-01	Batteri.....	Battery.....			
13	1			1134-5245-01	Batterirem.....	Battery strap.....			
14	1			1134-5227-01	Batteriunderlägg.....	Battery pad.....			
15	1			1134-3399-02	Brytare.....	Switch.....			
16	2			9997-0520-16	Skruv.....	Screw.....			
17	2			9747-0531-02	Mutter.....	Nut.....			
19	2			9849-7819-16	Skruv.....	Screw.....			
20	2			1134-4177-01	Clips.....	Clips.....			
21	1			1134-4194-01	Sitsbrytare.....	Seat switch.....			
23	1			1134-4970-01	Kabel.....	Cable.....			
24	1			9795-3531-02	Mutter.....	Nut.....			
25	1			1134-4172-01	Strålkastare kpl.....	Headlamp assy.....			
25A	1			9400-0293-01	• Glödlampa.....	• Bulb.....		12V - 21W	
30	1			1134-0234-02	Batterikabel (+).....	Battery cable (+).....			
31	1			1134-2310-01	Batteriskydd.....	Guard cap.....			
32	15			9579-0003-00	Buntband.....	Cable holder.....			
33	1			9400-0231-00	Kabelskarv.....	Splicer.....			
35	2			9739-0631-22	Mutter.....	Nut.....			
40	1			1134-5085-01	Kablage.....	Harness.....			
41	1			9632-0522-00	Popnit.....	Pop rivet.....			



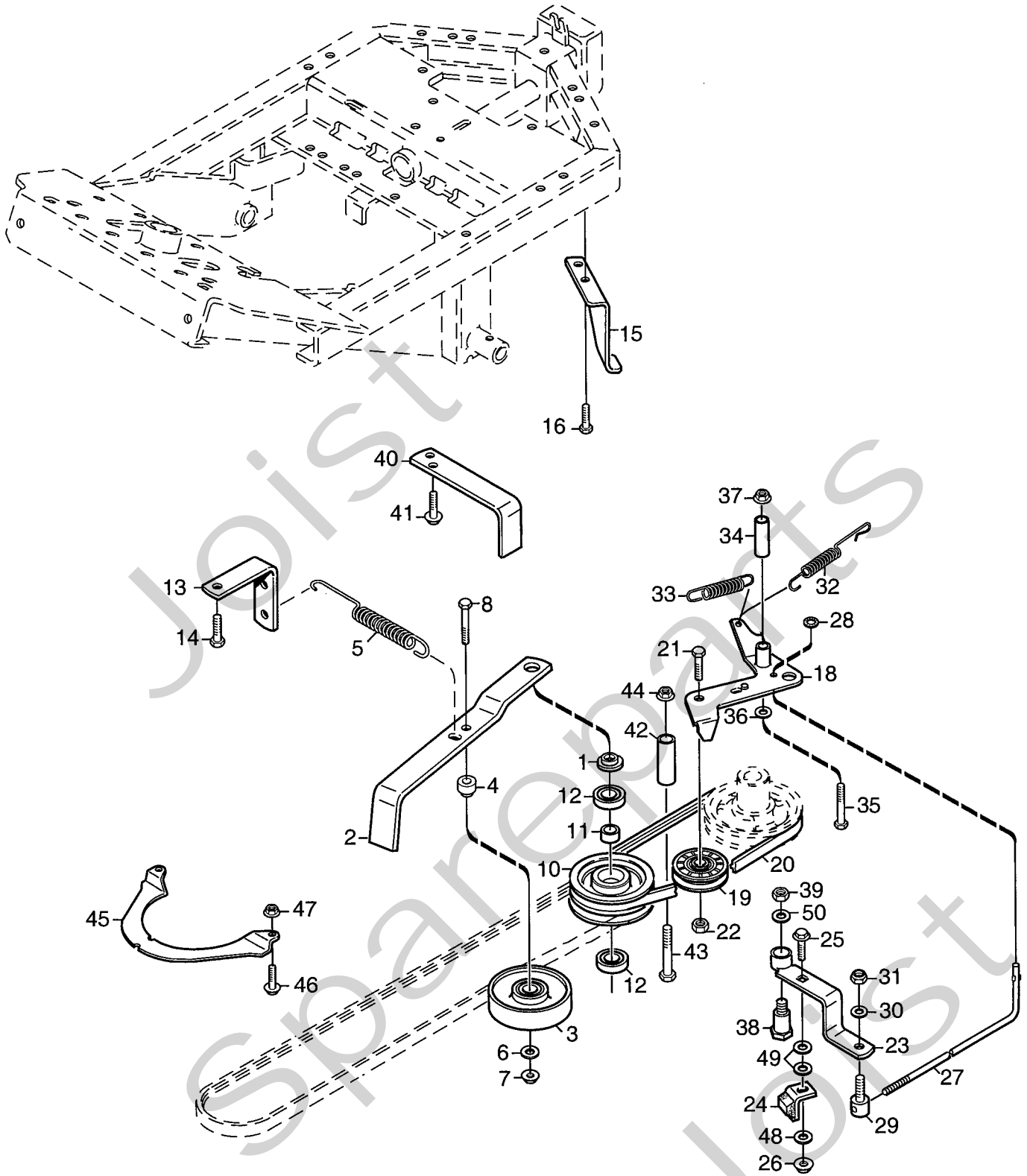
Utgåva Issue		Bildnr Picture No		PARK PRESIDENT MOTOR		PARK PRESIDENT ENGINE		Sida Page	
2006-11		1686B						68	
Pos. Fig.	Antal/Quantity			Art nr Part No	Benämning	Description	Sats Kit	Anmärkning Notes	
	6113 -17								
X 3	4			9997-0840-16	Skruv	Screw		L = 40 mm	
4	4			9739-0831-22	Mutter	Nut			
5	1			1134-5072-01	Avgasrör	Exhaust pipe			
7	1			1134-0433-00	Ljuddämparpackning	Muffler gasket			
10	1			9578-0011-01	Klämma	Clamp			
11	1			1134-4952-01	Ljuddämpare	Muffler			
12	1			9959-0820-16	Skruv	Screw			
13	1			9739-0831-22	Mutter	Nut			
14	1			1134-4046-02	Beröringsskydd- svart	Muffler guard- black			
15	4			9959-0820-16	Skruv	Screw			
16	4			9739-0831-22	Mutter	Nut			
17	1			1134-4978-01	Oljeavtappn.rör kpl	Oil drain pipe assy			
18	1			1134-4976-01	• Plugg	• Plug			
19	1			1134-4977-01	• Kopparbricka	• Copper washer			
21	1			1134-4999-01	Motorremskiva	Engine pulley			
22	1			9600-0251-01	Kil	Key			
23	1			9987-5332-16	Skruv	Screw			
24	1			1134-2733-01	Värmskydd	Heat protection			
25	2			9893-0616-16	Skruv	Screw			
26	1			1134-4757-01	Bränsletank kpl	Fuel tank assy		Inkl. 33-37, 41-42	
27	2			1134-4273-03	Tankkonsol	Tank bracket			
28	2			1134-2941-01	Kantskyddslist	Protection strip			
29	4			9893-0616-16	Skruv	Screw			
31	1			1134-5269-01	Låsstång	Tank rod			
32	1			9747-0631-02	Låsmutter	Lock nut			
33	1			1134-4063-01	• Tanklock	• Fuel cap			
34	1			1134-3224-01	• Bensinkran	• Fuel shut-off valve			
35	1			1134-3225-01	• Gummibussning	• Grommet			
36	1			1134-2975-12	• Bensinslang	• Fuel hose		L = 175 mm	
37	1			9578-0023-02	• Slangklämma	• Hose clamp			
38	1			9579-0003-00	Buntband	Cable holder			
39	1			1134-4955-01	Ljuddämparinsats	Muffler insert			
40	1			1134-4481-02	Vingmutter	Wing nut			
41	1			9404-0025-01	• O-ring	• O-ring			
42	1			1134-4411-01	• Insatsrör	• Fuel tank insert			
43	1			9578-0023-02	Slangklämma	Hose clamp			
45	2			1134-4930-01	Skruv	Screw			
46	1			1134-5213-01	Fäste	Attachment			
50	1			1134-5000-01	Motorremskiva	Engine pulley			
51	1			1134-5017-01	Bricka	Washer			



Utgåva Issue		Bildnr Picture No		PARK PRESIDENT TRANSMISSION		PARK PRESIDENT TRANSMISSION		Sida Page	
2006-11		1033G						70	
Pos. Fig.	Antal/Quantity			Art nr Part No	Benämning	Description	Sats Kit	Anmärkning Notes	
	6113 -17								
1	1			1134-4000-02	Spännarm.....	Tension arm.....			
2	1			1134-3459-01	Spännrulle.....	Tension roller.....			
3	1			9924-1035-16	Skruv.....	Screw.....			
4	1			9799-1031-02	Mutter.....	Nut.....			
5	1			1134-9058-01	Drivrem.....	V-belt.....			
6	1			9997-0625-16	Skruv.....	Screw.....		= 9585-0091-01	
7	1			9739-0631-22	Mutter.....	Nut.....			
7A	1			9747-0631-02	Låsmutter.....	Lock nut.....			
8	1			1134-3377-02	Reglagestång.....	Control rod.....			
10	1			1134-4171-01	Ledtapp.....	Pivot pin.....			
11	1			1134-4183-01	Tryckfjäder.....	Compression spring.....			
12	2			1134-3456-01	Bussning.....	Bushing.....			
13	1			9747-0631-02	Låsmutter.....	Lock nut.....			
14	1			1134-1565-08	Distans.....	Spacer.....			
15	1			9997-0870-16	Skruv.....	Screw.....			
16	1			9699-0056-02	Planbricka.....	Flat washer.....			
17	1			9747-0831-02	Mutter.....	Lock nut.....			
18	1			1134-1949-01	Fjäder.....	Spring.....			
19	1			9699-0060-02	Planbricka.....	Flat washer.....			
20	1			1134-4848-01	Transaxel.....	Transaxle.....		Kanzaki K46G	
21	4			9997-0865-12	Skruv.....	Screw.....			
22	4			9747-0831-02	Mutter.....	Lock nut.....			
23	1			1134-3913-01	Reaktionsstag.....	Strut.....			
24	1			9959-0825-16	Skruv.....	Screw.....			
25	1			9997-0845-12	Skruv.....	Screw.....			
26	1			9699-0028-02	Planbricka.....	Flat washer.....			
27	2			9747-0831-02	Mutter.....	Lock nut.....			
28	1			9747-0631-02	Låsmutter.....	Lock nut.....			
29	1			1134-2765-02	Oljetank.....	Oil tank.....			
30	1			1134-2777-02	Tanklock.....	Filler cap.....			
31	1			1134-3734-01	Luftningsplugg.....	Vent plug.....			
32	1			1134-2778-01	Fästband.....	Retainer strap.....			
33	2			9840-8009-16	Skruv.....	Screw.....			
35	2			9578-0023-04	Slangklämma.....	Hose clamp.....		15 x 8	
36	1			1134-2779-06	Slang.....	Tube.....		L = 230 mm	
40	1			1134-4015-01	Dragstång.....	Pull rod.....			
41	1			1134-4014-01	Plastknopp.....	Plastic button.....			
42	1			1134-4713-01	Vinkel.....	Bracket.....			
43	1			1134-2790-01	Gummihylsa.....	Rubber grommet.....			
44	1			9959-0816-16	Skruv.....	Screw.....			
45	1			9739-0831-22	Mutter.....	Nut.....			
46	1			9675-0009-02	Starlock.....	Starlock.....			
51	1			1134-3289-02	Remstyrning.....	Belt guide.....			
52	1			9959-0820-16	Skruv.....	Screw.....			
53	1			9699-0056-02	Planbricka.....	Flat washer.....			
54	1			9739-0831-22	Mutter.....	Nut.....			
55	1			1134-5093-01	Fäste.....	Holder.....			
56	2			9959-0816-16	Skruv.....	Screw.....			
57	2			9739-0831-22	Mutter.....	Nut.....			



Utgåva Issue 2006-11		Bildnr Picture No 1346B		PARK PRESIDENT HJUL 16"		PARK PRESIDENT WHEELS 16"		Sida Page 72	
Pos. Fig.	Antal/Quantity			Art nr Part No	Benämning	Description	Sats Kit	Anmärkning Notes	
	6113 -17								
1	2			1134-0075-01	Framaxeltapp	Front axle			
2	2			9595-0258-00	Spännstift	Locating pin			
3	2			1134-4844-05	Hjulnav kpl.	Wheel hub assy.			
3A	1			9501-0500-00	• Smörjnippel	• Grease joint			
4	1			1134-9026-01	• Lagerbussning	• Bearing bush kit		Sats 4 st/kit of 4	
5	2			1134-4558-01	Fälg	Rim			
6	2			9545-0116-00	Däck	Tyre		16 x 7.50 - 8	
7	2			9545-0500-00	Ventil	Valve			
8	6			9747-1031-02	Låsmutter	Lock nut			
9	6			9699-0035-02	Planbricka	Flat washer			
10	8			1134-0341-01	Bricka	Washer			
11	2			9599-0080-02	Saxsprint	Cotter pin			
12	2			1134-4844-02	Hjulnav	Wheel hub			
13	2			1134-4558-01	Fälg	Rim			
14	2			9545-0116-00	Däck	Tyre		16 x 7.50 - 8	
15	2			9545-0500-00	Ventil	Valve			
16	6			9747-1031-02	Låsmutter	Lock nut			
17	6			9699-0035-02	Planbricka	Flat washer			
18	2			1134-4796-01	Navkapsel	Hub cap			
19	2			9947-0540-19	Skruv	Screw			
20	2			1134-2471-01	Kil	Key			
21	2			9699-0042-02	Planbricka	Flat washer			
22	2			9653-0001-04	Spårryttare	Lock ring			
26	2			9699-0042-02	Planbricka	Flat washer			
99				9545-0203-00	Innerslang	Inner tube		Reservdel/spare part	



Utgåva Issue		Bildnr Picture No		PARK PRESIDENT KRAFTUTTAG		PARK PRESIDENT POWER TAKE-OFF		Sida Page
2006-11		1030E						74
Pos. Fig.	Antal/Quantity			Art nr Part No	Benämning	Description	Sats Kit	Anmärkning Notes
	6113 -17							
1	1			1134-5548-01	Distans	Spacer		
2	1			1134-5109-01	Spännhjulssarm	Tension wheel arm		
3	1			1134-1770-01	Spännrulle	Tension roller		
4	1			1134-1888-04	Distans	Spacer		
5	1			1134-5111-01	Fjäder	Spring		
6	1			9699-0056-02	Planbricka	Flat washer		
7	1			9739-0831-22	Mutter	Nut		
8	1			9997-0855-12	Skruv	Screw		
10	1			1134-1769-03	Centrumremskiva kpl.	Centre pulley assy.		
11	1			1134-0051-09	• Distans	• Spacer		
12	2			9549-0019-00	• Kullager	• Ball bearing		
13	1			1134-5112-01	Fjäderfäste	Spring attachment		
14	2			9945-0816-16	Skruv	Screw		
15	1			1134-5110-01	Hake	Hook		
16	2			9893-0616-16	Skruv	Screw		
18	1			1134-2018-02	Spännarm	Tension arm		
19	1			1134-9027-01	Spännrulle	Tension roller		
20	1			1134-9071-01	Drivrem	V-belt		= 9585-0129-01
21	1			9997-1030-16	Skruv	Screw		
22	1			9799-1031-02	Mutter	Nut		
23	1			1134-4111-01	Bromsarm	Brake arm		
24	1			1134-4164-03	Bromsklots	Brake pad		
25	1			9897-0825-16	Skruv	Screw		
26	1			9747-0831-02	Mutter	Lock nut		
27	1			1134-4162-01	Bromsstång	Brake rod		
28	1			9675-0008-02	Starlock	Locking washer		
29	1			1134-4170-01	Nippel	Nipple		
30	1			9699-0025-02	Planbricka	Washer		
31	1			9747-0631-02	Låsmutter	Lock nut		
32	1			4231-0013-00	Fjäder	Spring		
33	1			1134-4231-01	Dragfjäder	Spring		
34	1			1134-1565-10	Distans	Spacer		
35	1			9997-0865-12	Skruv	Screw		
36	1			9699-0056-02	Planbricka	Flat washer		
37	1			9739-0831-22	Mutter	Nut		
38	1			1134-4163-01	Ansatsskruv	Shoulder bolt		
39	1			9747-1031-02	Låsmutter	Lock nut		
40	1			1134-3958-01	Remstyrning	Belt guide		
41	2			9893-0616-16	Skruv	Screw		
42	1			1134-0041-03	Hylsa	Collar		
43	1			9997-1070-12	Skruv	Screw		
44	1			9739-1031-22	Mutter	Nut		
45	1			1134-3654-01	Fingerskydd	Finger guard		
46	2			9959-0612-16	Skruv	Screw		
47	2			9739-0631-22	Mutter	Nut		
48	1			9699-0090-02	Planbricka	Flat washer		
49	2			9699-0035-02	Planbricka	Flat washer		
50	1			9699-0035-02	Planbricka	Flat washer		