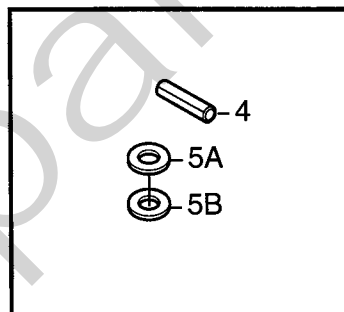
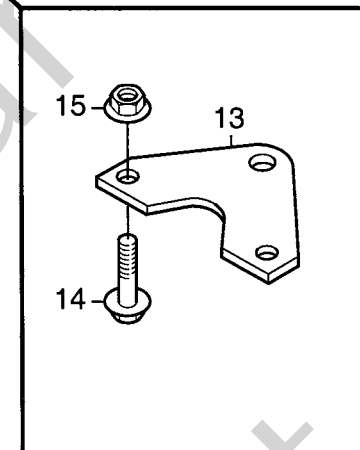
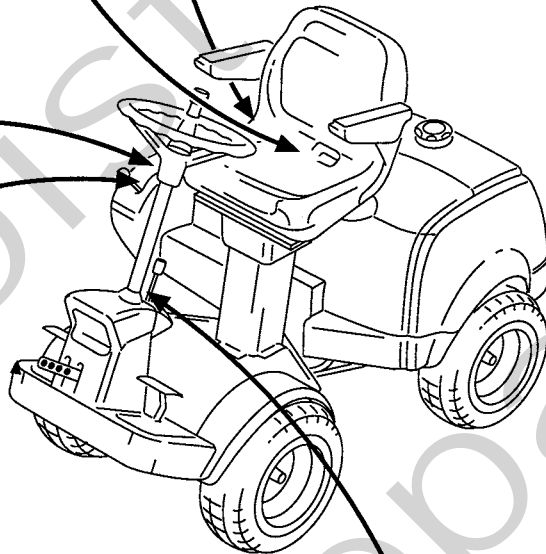
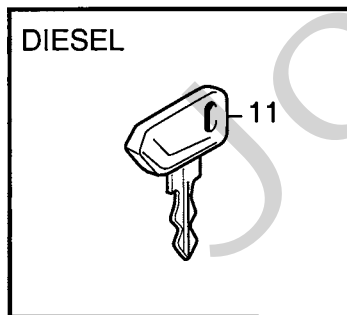
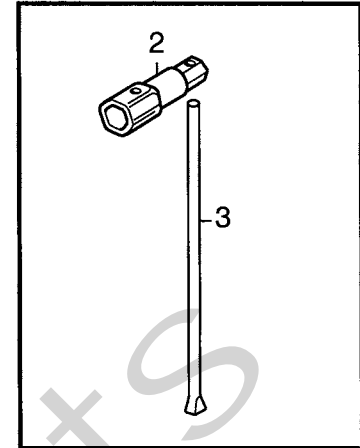
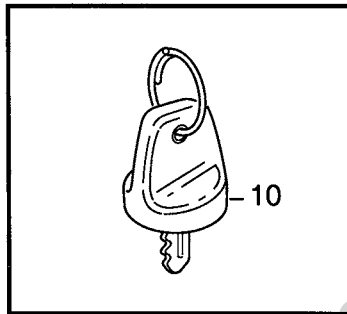
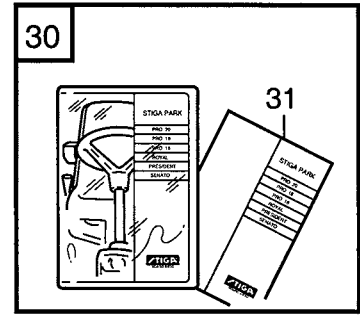
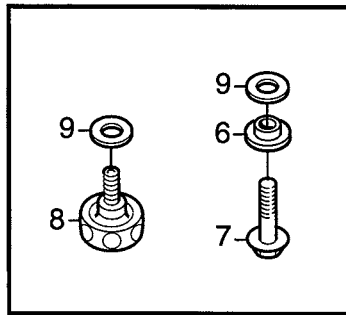
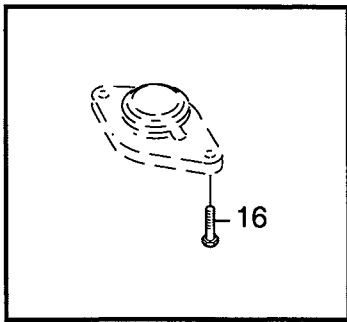


# Genuine Spare Parts

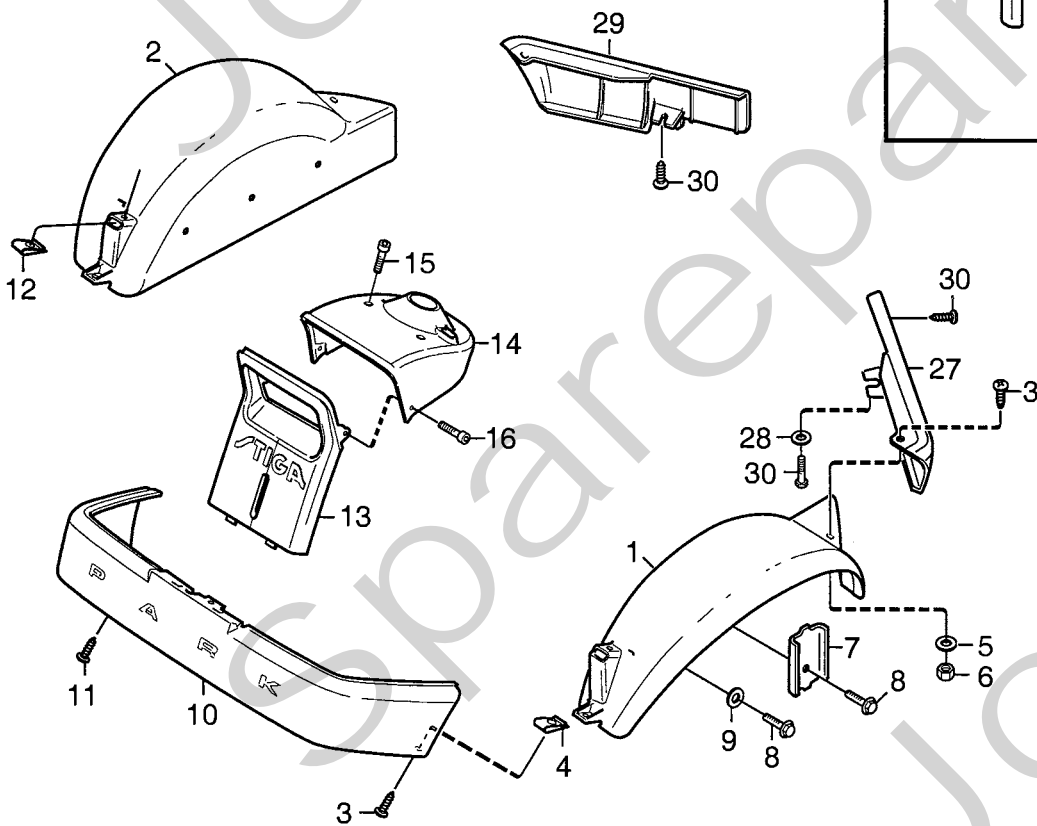
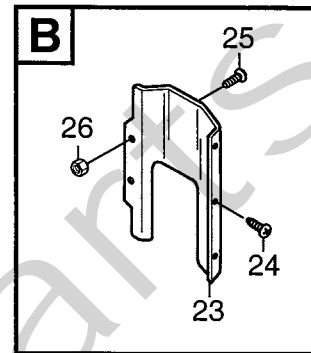
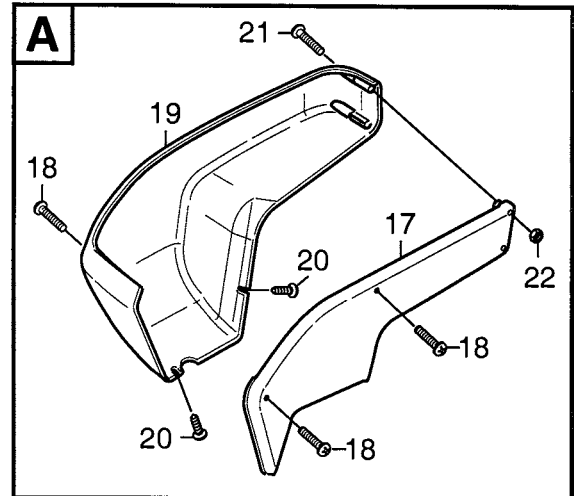
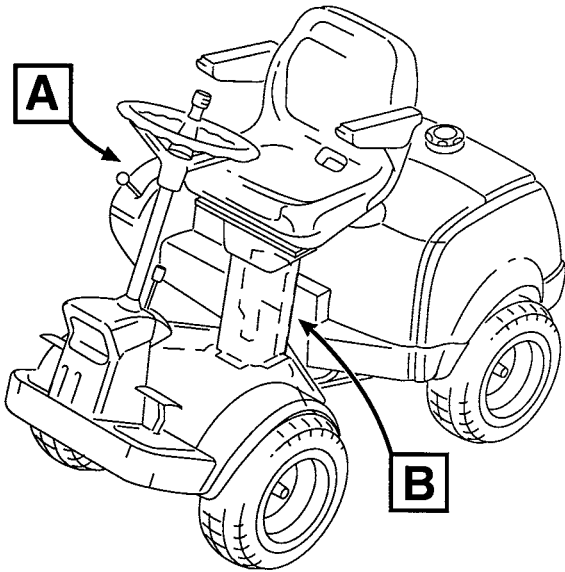
---



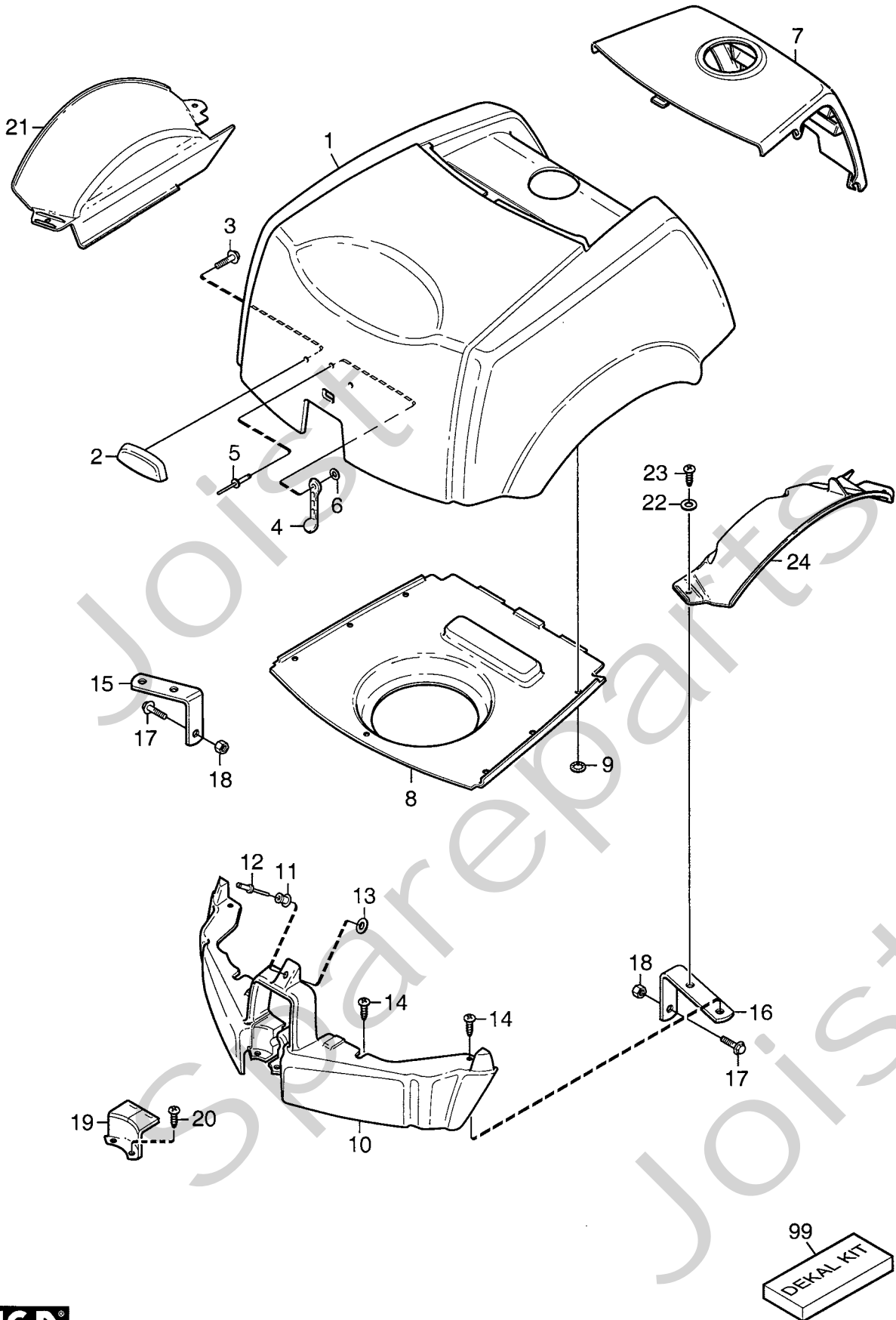
Joist  
Spareparts  
Joist



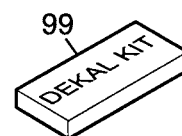
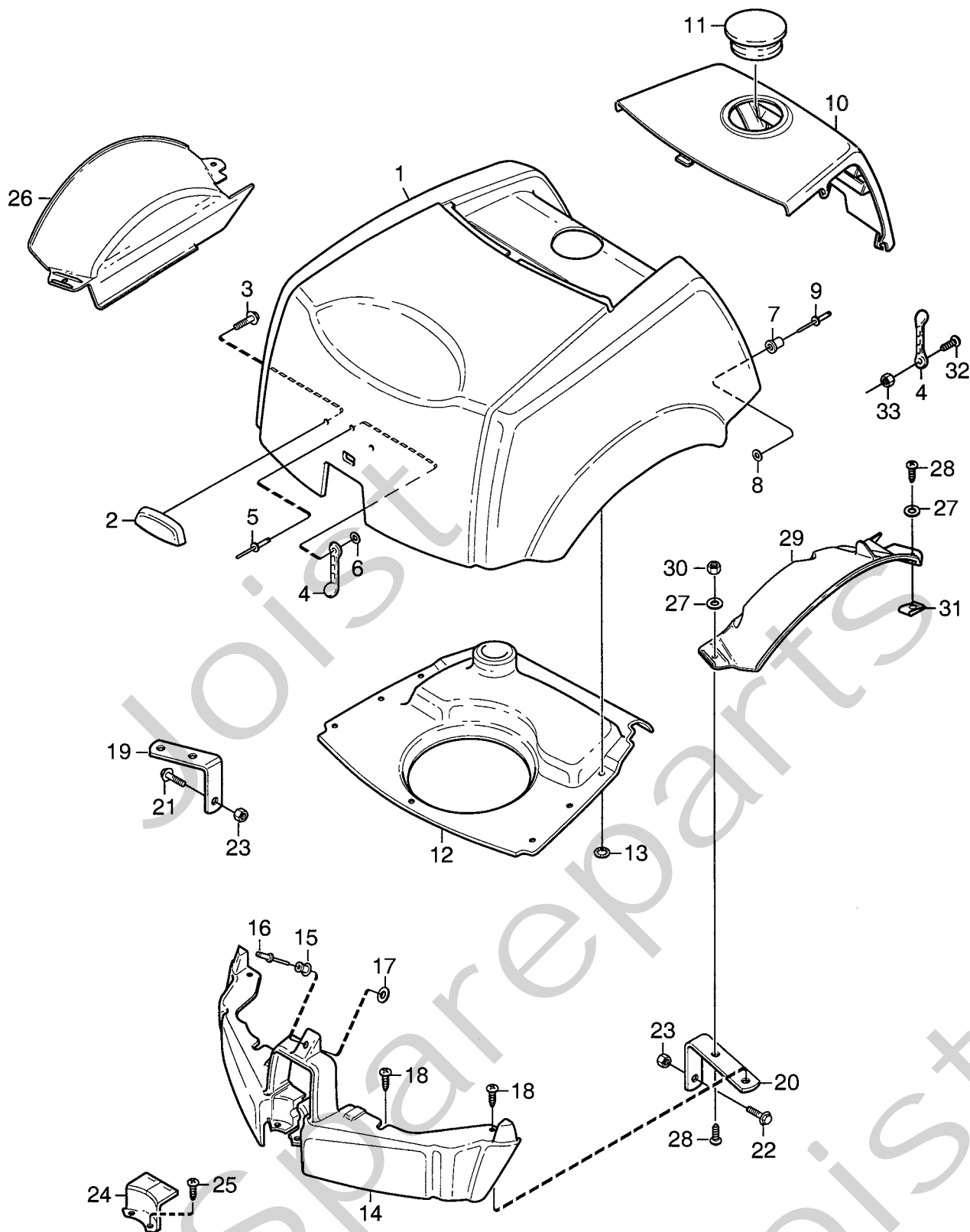
Utgåva Issue		Bildnr Picture No				PARK MONTERINGSDETALJER	PARK ASSEMBLY PARTS	Sida Page	
2005- 11		1022E						32	
Pos. Fig.	Antal/Quantity				Art nr Part No	Benämning	Description	Sats Kit	Anmärkning Notes
	6122	6123	6143 6216	6231					
0	1	1	1		1134-4249-01	Monteringsdetaljer.....	Assembly parts .....		
0				1	1134-4249-04	Monteringsdetaljer.....	Assembly parts .....		
2	1	1	1		1134-4541-01	• Tändstiftshylsa .....	• Spark plug wrench .....		5/8" (16 mm)/21 mm
3	1	1	1		1111-2113-01	• Vridpinne .....	• Rod .....		
4	1	1	1	1	9595-0262-00	• Spännstift .....	• Locating pin .....		
5 A	1	1	1	1	9699-0103-02	• Shims .....	• Flat washer .....		0.5 mm
5 B	1	1	1	1	9699-0114-02	• Shims .....	• Flat washer .....		1.0 mm
6	2	2	2	2	1134-4185-01	• Ansatsbricka.....	• Flange washer .....		
7	2	2	2	2	9959-0820-16	• Skruv .....	• Screw .....		
8	2	2	2	2	1134-2609-01	• Ratt.....	• Knob .....		
9	4	4	4	4	9699-0056-02	• Planbricka.....	• Flat washer .....		
10	2	2	2		1134-4734-01	• Tändningsnyckel.....	• Ignition key .....		
11				2	1134-4909-01	• Tändningsnyckel.....	• Ignition key .....		
13	1	1	1	1	1134-4003-01	• Dragplatta .....	• Towing plate .....		
14	2	2	2	2	9959-0820-16	• Skruv .....	• Screw .....		
15	2	2	2	2	9739-0831-22	• Mutter .....	• Nut .....		
16	2	2	2	2	9837-8914-12	• Skruv .....	• Screw .....		
30	1	1	1		1134-3771-68	Mapp m.trycksaker .....	Folder w.manuals .....		
30				1	1134-3771-69	Mapp m.trycksaker .....	Folder w.manuals .....		
X	31	1	1	1	8211-0209-12	• Säkerhetsföreskrifter .....	• Safety regulations .....		
X	31	1	1	1	8211-0276-06	• Bruksanvisning .....	• Owner's manual .....		
X	31	1	1	1	8211-0276-07	• Bruksanvisning .....	• Owner's manual .....		
X	31	1	1	1	8211-0278-06	• Monteringsanvisning .....	• Assy instruction .....		
	31			1	8211-0315-03	• Bruksanvisning .....	• Owner's manual .....		
X	31	1	1	1	8211-0321-07	• EG- Deklaration .....	• EC- Declaration .....		
	31			1	8211-0322-01	• Servicebok.....	• Service book .....		
X	31			1	8211-0325-03	• Bruksanvisning .....	• Owner's manual .....		
X	31	1	1	1	8211-0544-01	• Servicebok.....	• Service book .....		
	31	1	1	1	8211-2002-03	• Garantikort.....	• Warranty card .....		



Utgåva Issue		Bildnr Picture No				PARK KAROSS-FRAM		PARK BODY WORK-FRONT		Sida Page	
2005-11		1831								34	
Pos. Fig.	Antal/Quantity				Art nr Part No	Benämning	Description	Sats Kit	Anmärkning Notes		
	6122	6123	6143	6216 6231							
X	1	1			1	1134-3943-01	Skärm- vä, gul .....	Mud guard-LH, yell.....			
	1		1			1134-3943-09	Skärm- vä, svart.....	Mud guard-LH, black.....			
	2	1	1		1	1134-3943-02	Skärm- hö, gul .....	Mud guard-RH, yell. ....			
X	2			1		1134-3943-10	Skärm- hö, svart .....	Mud guard-RH, black .....			
	3	4	4	4	4	9893-0616-16	Skruv .....	Screw .....			
	4	2	2	2	2	1134-4176-01	Clips .....	Clips .....			
	5	2	2	2	2	9699-0025-02	Planbricka.....	Washer.....			
	6	2	2	2	2	9747-0631-02	Låsmutter .....	Lock nut.....			
	7	2	2	2	2	1134-0225-00	Stödplåt.....	Support plate .....			
	8	6	6	6	6	9945-0816-16	Skruv .....	Screw .....			
	9	4	4	4	4	9699-0056-02	Planbricka.....	Flat washer.....			
	10	1				1134-3944-02	Stötfångare- gul .....	Bumper- yellow .....			
X	10			1		1134-3944-07	Stötfångare- svart.....	Bumper- black .....			
X	10		1			1134-4220-01	Stötfångare- gul .....	Bumper- yellow .....			
	10				1	1134-4220-02	Stötfångare- grå.....	Bumper- grey .....			
	11	6	6	6	6	9893-0616-16	Skruv .....	Screw .....			
	12	2	2	2	2	1134-4176-01	Clips .....	Clips .....			
	13				1	1134-4216-01	Frontdekor- grå.....	Front plate- grey .....			
	13	1	1			1134-4216-03	Frontdekor- svart .....	Front plate- black.....			
X	13			1		1134-4216-05	Frontdekor- gul .....	Front plate- yellow .....			
	14				1	1134-3984-01	Frontdekor övre- grå.....	Front plate upper- gr.....			
	14	1	1			1134-3984-02	Frontdekor övre- svart .....	Front plate upper- bl.....			
X	14			1		1134-3984-03	Frontdekor övre- gul .....	Front plate upper- yel.....			
	15	2	2	2	2	9946-0525-16	Skruv .....	Screw .....			
	16	2	2	2	2	9840-8019-16	Skruv .....	Screw .....			
	17	1	1	1	1	1134-4360-01	Kåpa- inre .....	Cover- inner .....			
	18	3	3	3	3	9946-0525-16	Skruv .....	Screw .....			
	19	1	1	1	1	1134-3979-01	Kåpa- yttre .....	Cover- outer .....			
	20	2	2	2	2	9840-8019-16	Skruv .....	Screw .....			
	21	2	2	2	2	9950-0570-12	Skruv .....	Screw .....			
	22	2	2	2	2	9747-0531-02	Mutter.....	Nut .....			
	23	1	1	1	1	1134-4152-01	Skyddskåpa .....	Cover .....			
	24	3	3	3	3	9893-0616-16	Skruv .....	Screw .....			
	25	2	2	2	2	9893-0616-16	Skruv .....	Screw .....			
	26	2	2	2	2	9739-0631-22	Mutter.....	Nut .....			
	27				1	1134-3970-05	Kantlist- vä, grå.....	Moulding- LH, grey .....			
	27	1	1	1		1134-3970-06	Kantlist- vä, svart .....	Moulding- LH, black .....			
	28	1	1	1	1	9699-0060-02	Planbricka.....	Flat washer.....			
	29				1	1134-3970-02	Kantlist- hö, grå.....	Moulding- RH, grey .....			
	29	1	1	1		1134-3970-04	Kantlist- hö, svart.....	Moulding- RH, black.....			
	30	3	3	3	3	9893-0616-16	Skruv .....	Screw .....			

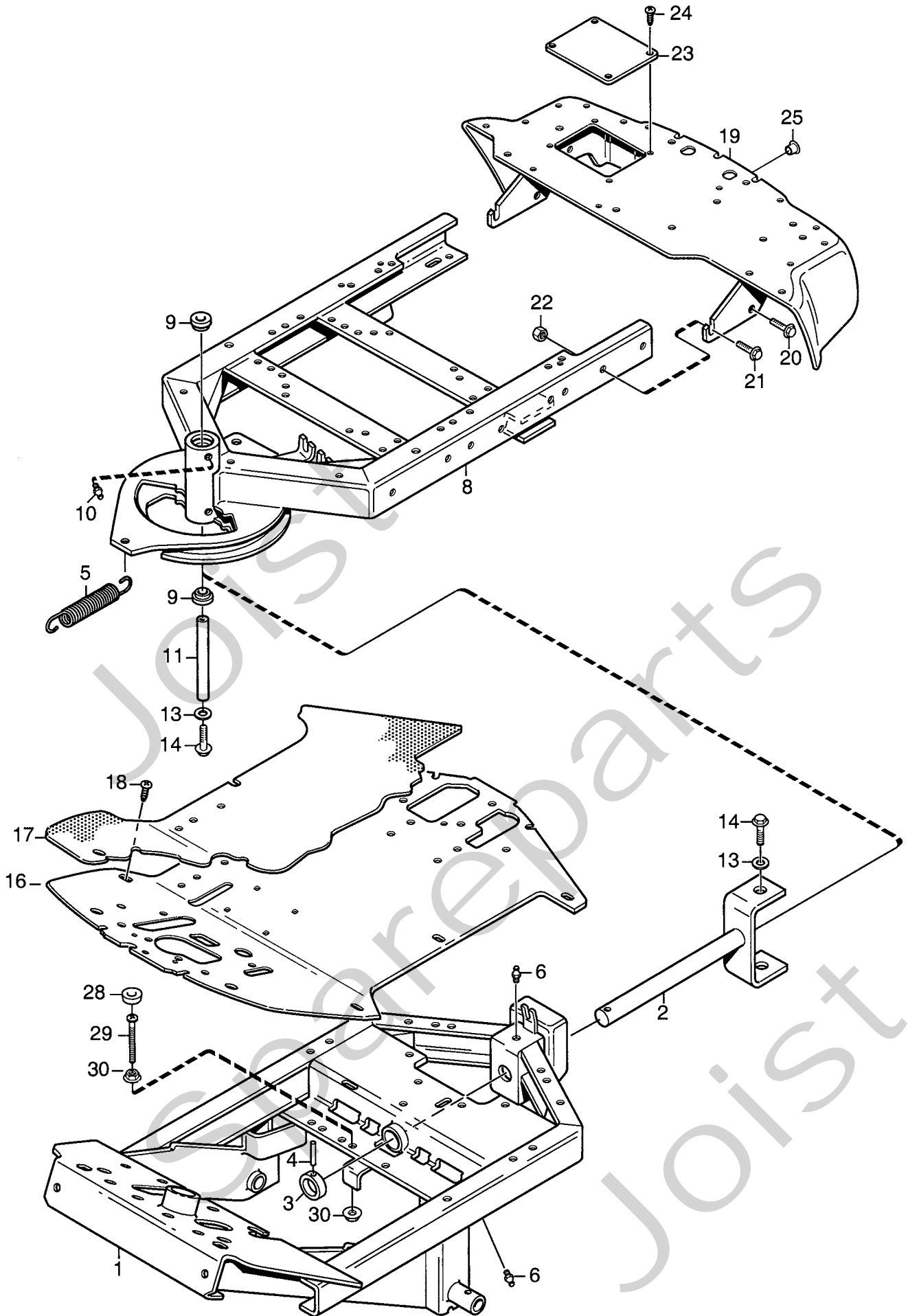


Utgåva Issue 2005- 11		Bildnr Picture No 1832				PARK KAROSS- BAK (Bensin motorer)		PARK BODY WORK- REAR (Petrol engines)		Sida Page 36	
Pos. Fig.	Antal/Quantity				Art nr Part No	Benämning	Description	Sats Kit	Anmärkning Notes		
	6122	6123	6143	6216							
1	1	1	1	1	1134-4797-01	Motorhuv.....	Engine hood.....				
2	1	1	1	1	1134-4799-02	Handtag.....	Handle.....				
3	2	2	2	2	9838-9516-12	Skruv.....	Screw.....				
4	1	1	1	1	1134-9028-01	Gummistropp- sats.....	Rubber strap kit.....		Sats 3 st/kit of 3		
5	1	1	1	1	9632-0516-00	Popnit.....	Pop rivet.....				
6	1	1	1	1	9699-0120-02	Bricka.....	Washer.....				
7					1134-3971-01	Motorlucka- grå.....	Engine cover- grey.....				
7	1	1	1	1	1134-3971-02	Motorlucka- svart.....	Engine cover- black.....				
8	1		1	1	1134-3978-01	Luftkanalplatta- djup.....	Air duct plate- deep.....				
8		1			1134-3978-02	Luftkanalplatta- grund.....	Air duct plate- shallow.....				
9	7	7	7	7	9675-0008-02	Starlock.....	Locking washer.....				
10					1134-4798-01	Spoiler- grå.....	Spoiler- grey.....				
10	1	1	1	1	1134-4798-02	Spoiler- svart.....	Spoiler- black.....				
11	1	1	1	1	9405-0029-00	Knopp.....	Knob.....				
12	1	1	1	1	9632-0513-00	Popnit.....	Pop rivet.....				
13	1	1	1	1	9699-0120-02	Bricka.....	Washer.....				
14	4	4	4	4	9893-0616-16	Skruv.....	Screw.....				
15	1	1	1	1	1134-4012-03	Stödkonsol- hö.....	Support- RH.....				
16	1	1	1	1	1134-4012-04	Stödkonsol- vä.....	Support- LH.....				
17	2	2	2	2	9959-0816-16	Skruv.....	Screw.....				
18	2	2	2	2	9739-0831-22	Mutter.....	Nut.....				
19	1	1	1	1	1134-3985-01	Täcklock.....	Cover.....				
20	2	2	2	2	9893-0616-16	Skruv.....	Screw.....				
21	1	1	1	1	1134-4800-01	Innerskärm- hö.....	Inner mud guard- RH.....				
22	4	4	4	4	9699-0060-02	Planbricka.....	Flat washer.....				
23	4	4	4	4	9893-0616-16	Skruv.....	Screw.....				
24		1	1	1	1134-4801-01	Innerskärm- vä.....	Inner mud guard- LH.....				
99		1			1134-4593-03	Dekalsats.....	Decal kit.....		Royal		
99				1	1134-4593-04	Dekalsats.....	Decal kit.....		Pro 16		
99	1				1134-4593-07	Dekalsats.....	Decal kit.....		Comfort		

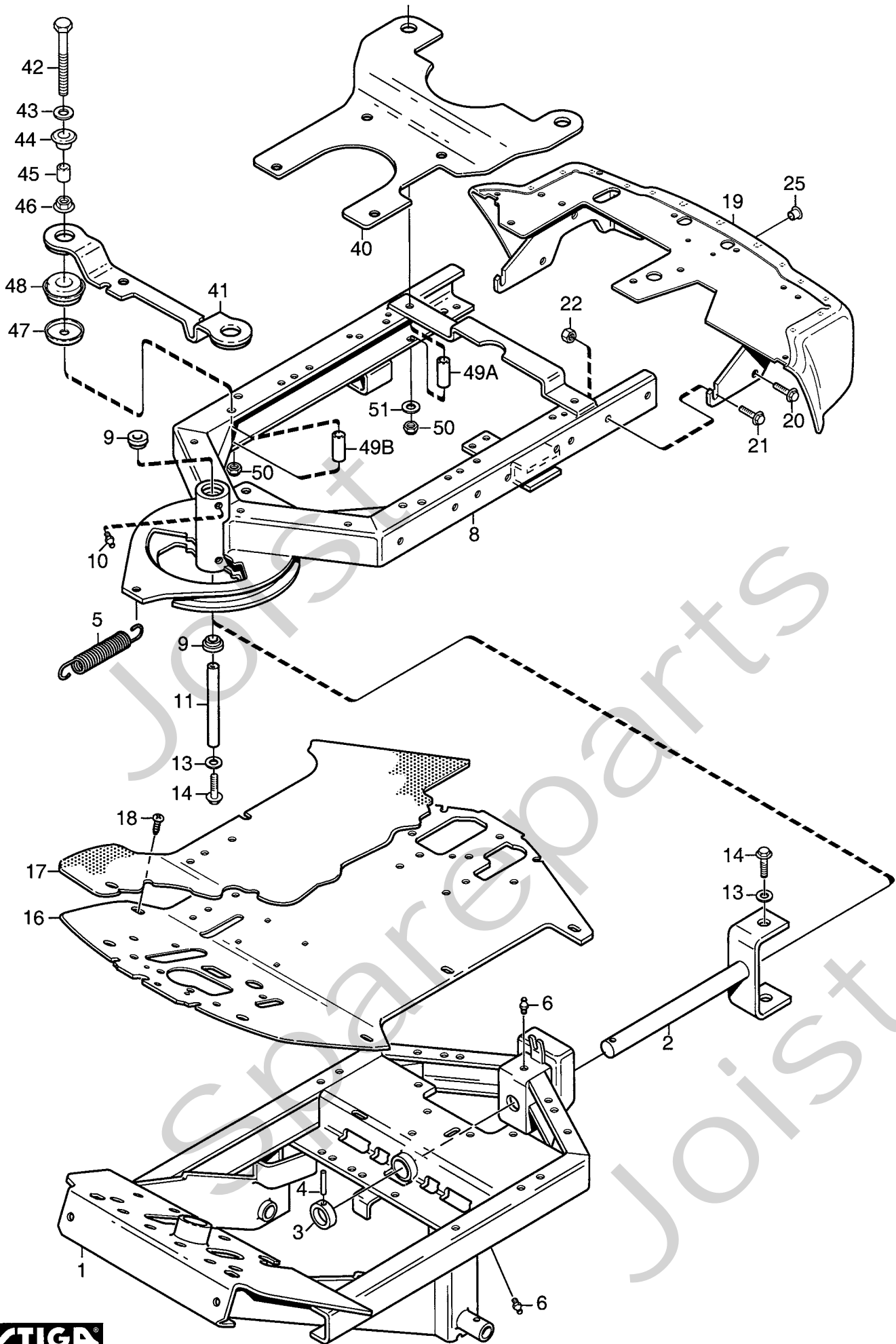




Utgåva Issue		Bildnr Picture No		PARK KAROSS- BAK (Diesel motor)		PARK BODY WORK- REAR (Diesel engine)		Sida Page	
2005- 11		1833						38	
Pos. Fig.	Antal/Quantity			Art nr Part No	Benämning	Description	Sats Kit	Anmärkning Notes	
	6231								
1	1			1134-4929-01	Motorhuv.....	Engine hood.....			
2	1			1134-4799-02	Handtag.....	Handle.....			
3	2			9838-9516-12	Skruv.....	Screw.....			
4	1			1134-9028-01	Gummistropp- sats.....	Rubber strap kit.....		Sats 3 st/kit of 3	
5	1			9632-0516-00	Popnit.....	Pop rivet.....			
6	1			9699-0120-02	Bricka.....	Washer.....			
7	2			9405-0029-00	Knopp.....	Knob.....			
8	2			9699-0120-02	Bricka.....	Washer.....			
9	2			9632-0513-00	Popnit.....	Pop rivet.....			
10	1			1134-3971-01	Motorlucka- grå.....	Engine cover- grey.....			
11	1			9403-0047-01	Täcklock.....	Cover.....			
12	1			1134-4925-01	Luftkanalplatta.....	Air duct plate.....			
13	7			9675-0008-02	Starlock.....	Locking washer.....			
14	1			1134-4798-01	Spoiler- grå.....	Spoiler- grey.....			
15	1			9405-0029-00	Knopp.....	Knob.....			
16	1			9632-0513-00	Popnit.....	Pop rivet.....			
17	1			9699-0120-02	Bricka.....	Washer.....			
18	4			9893-0616-16	Skruv.....	Screw.....			
19	1			1134-4012-03	Stödkonsol- hö.....	Support- RH.....			
20	1			1134-4012-04	Stödkonsol- vä.....	Support- LH.....			
21	1			9959-0830-16	Skruv.....	Screw.....		L = 30 mm	
22	1			9959-0820-16	Skruv.....	Screw.....		L = 20 mm	
23	2			9739-0831-22	Mutter.....	Nut.....			
24	1			1134-3985-01	Täcklock.....	Cover.....			
25	2			9893-0616-16	Skruv.....	Screw.....			
26	1			1134-4800-01	Innerskärm- hö.....	Inner mud guard- RH.....			
27	4			9699-0060-02	Planbricka.....	Flat washer.....			
28	4			9893-0616-16	Skruv.....	Screw.....			
29	1			1134-4801-01	Innerskärm- vä.....	Inner mud guard- LH.....			
30	1			9747-0631-02	Låsmutter.....	Lock nut.....			
31	2			1134-4176-01	Clips.....	Clips.....			
32	2			9893-0616-16	Skruv.....	Screw.....			
33	2			9747-0631-02	Låsmutter.....	Lock nut.....			
99	1			1134-4593-08	Dekalsats.....	Decal kit.....			



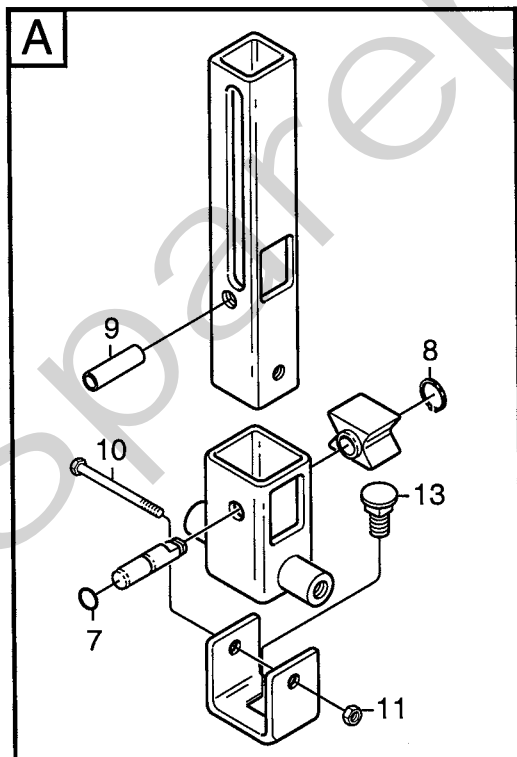
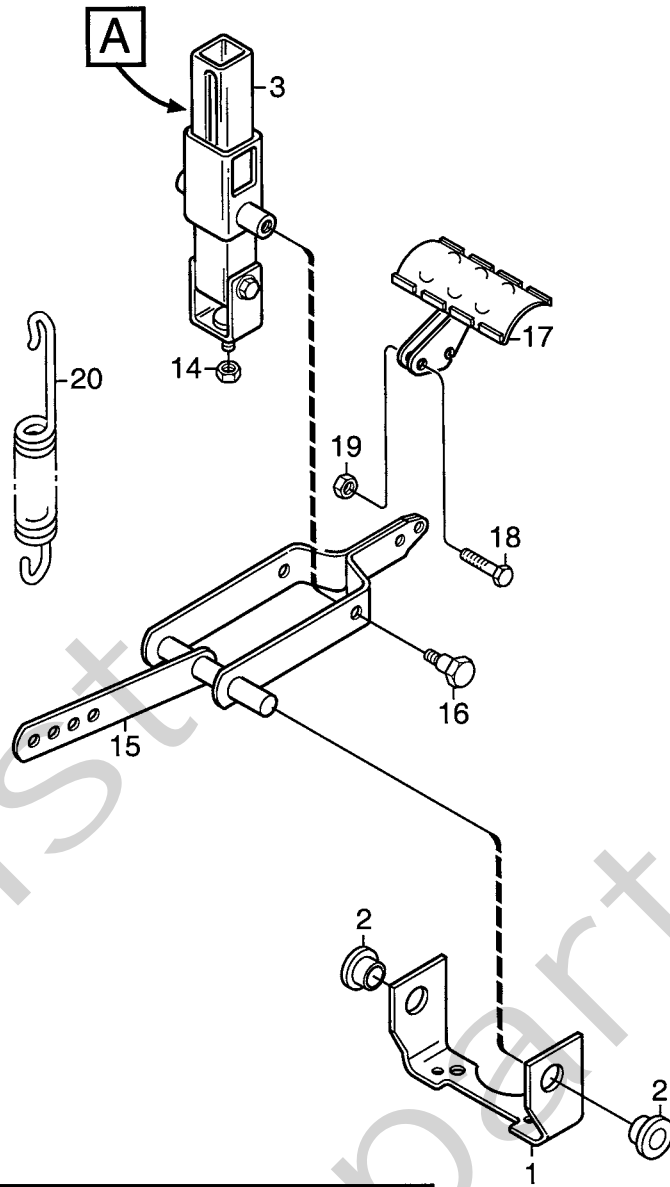
Utgåva Issue		Bildnr Picture No				PARK RAM (Bensin motorer)		PARK FRAME (Petrol engines)		Sida Page	
2005- 11		1014D								40	
Pos. Fig.	Antal/Quantity				Art nr Part No	Benämning	Description	Sats Kit	Anmärkning Notes		
	6122	6123	6143	6216							
	1	1	1	1	1134-5315-02	Ram-främre .....	Frame-front .....				
	2	1	1	1	1134-3963-02	• Midjegaffel .....	• Clevis .....				
	3	1	1	1	1134-0031-00	• Ledaxelstopp .....	• Pivot shaft stop .....				
	4	1	1	1	9595-0262-00	• Spännstift .....	• Locating pin .....				
	5	1	1	1	1134-2171-01	Fjäder .....	Spring .....				
	6	2	2	2	9501-0500-00	Smörjnippel .....	Grease joint .....				
	8	1	1	1	1134-5313-01	Ram-bakre .....	Frame-rear .....		- 050227		
X	8	1	1	1	1134-5870-01	Ram-bakre .....	Frame-rear .....		050228 -		
	9	2	2	2	9547-0001-00	• Ledlager .....	• Bearing .....				
	10	2	2	2	9501-0500-00	Smörjnippel .....	Grease joint .....				
	11	1	1	1	1134-3968-02	Centrumaxel (188 mm) .....	Centre shaft (188 mm) .....		- 050227		
X	11	1	1	1	1134-3968-03	Centrumaxel (185 mm) .....	Centre shaft (185 mm) .....		050228 -		
	13	2	2	2	9699-0035-02	Planbricka .....	Flat washer .....				
	14	2	2	2	9959-1020-16	Skruv .....	Screw .....				
	16	1	1	1	1134-5294-01	Durk .....	Floor plate .....				
X	17	1	1	1	1134-5514-03	Durkmatta .....	Floor mat .....				
	18	2	2	2	9893-0616-16	Skruv .....	Screw .....				
X	19				1134-4833-03	Stötfångare- grå .....	Bumper- grey .....				
X	19	1	1	1	1134-4833-04	Stötfångare- svart .....	Bumper- black .....				
	20	2	2	2	9945-0816-16	Skruv .....	Screw .....				
	21	2	2	2	9959-0820-16	Skruv .....	Screw .....				
	22	2	2	2	9739-0831-22	Mutter .....	Nut .....				
	23	1	1	1	1134-4167-01	Lucka .....	Cover .....				
	24	4	4	4	9840-8009-16	Skruv .....	Screw .....				
	25	2	2	2	1134-4100-01	Täckpropp .....	Plug .....				
	28	1			1134-4975-01	Gummibuffert .....	Rubber block .....				
	29	1			9950-0570-12	Skruv .....	Screw .....				
	30	2			9739-0531-22	Mutter .....	Nut .....				



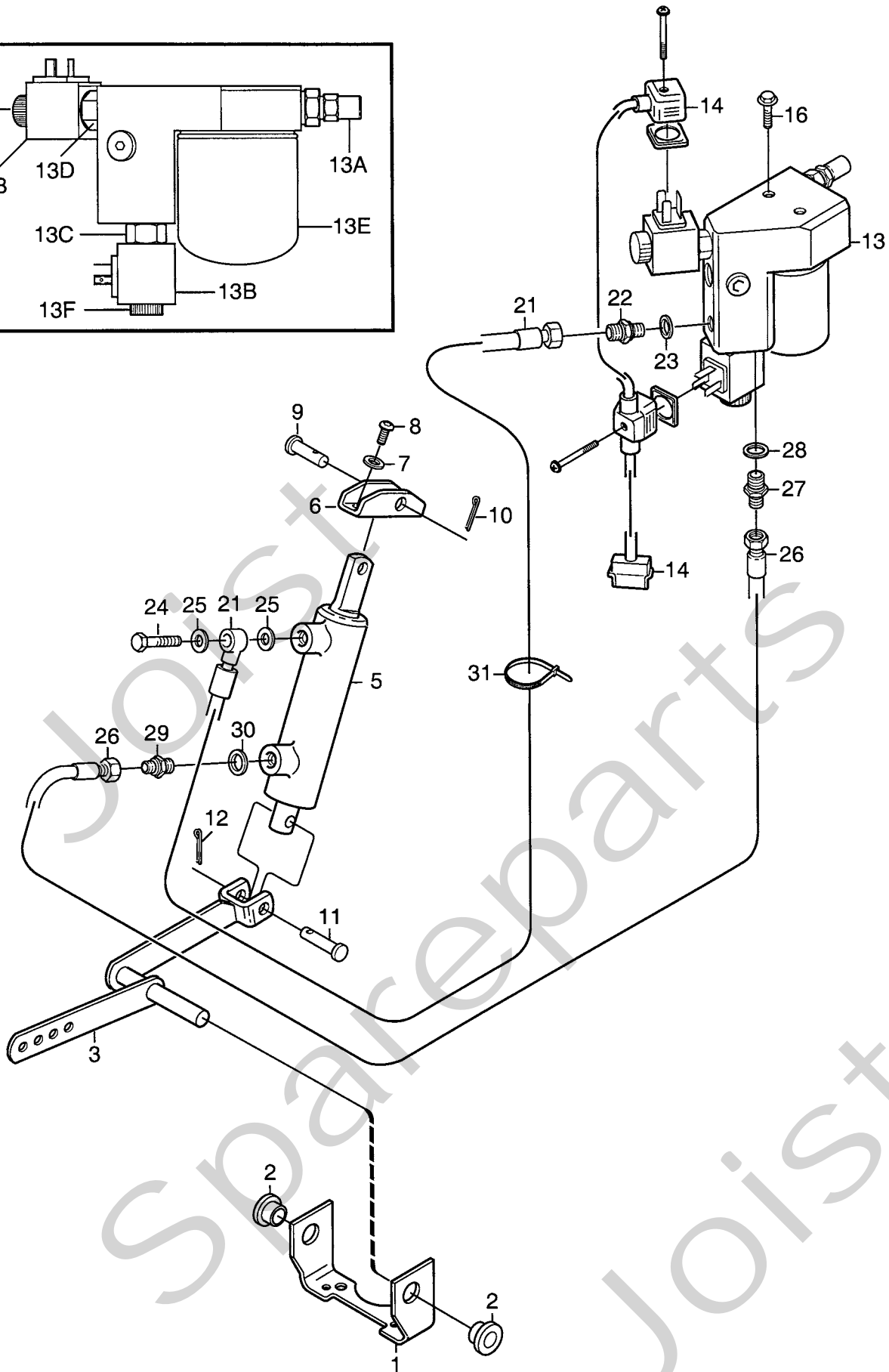
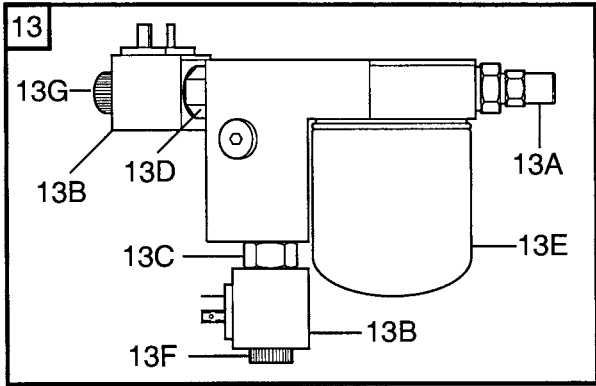
Utgåva Issue		Bildnr Picture No		PARK RAM (Diesel motor)		PARK FRAME (Diesel engine)		Sida Page	
2005-11		1375C						42	
Pos. Fig.	Antal/Quantity			Art nr Part No	Benämning	Description	Sats Kit	Anmärkning Notes	
	6231								
1	1			1134-5315-02	Ram- främre .....	Frame- front .....			
2	1			1134-3963-02	• Midjegaffel .....	• Clevis .....			
3	1			1134-0031-00	• Ledaxelstopp .....	• Pivot shaft stop .....			
4	1			9595-0262-00	• Spännstift .....	• Locating pin .....			
5	1			1134-2171-01	Fjäder .....	Spring .....			
6	2			9501-0500-00	Smörjnippel .....	Grease joint .....			
8	1			1134-4913-01	Ram- bakre .....	Frame- rear .....			
9	2			9547-0001-00	• Ledlager .....	• Bearing .....			
10	2			9501-0500-00	Smörjnippel .....	Grease joint .....			
11	1			1134-3968-02	Centrumaxel (188 mm) .....	Centre shaft (188 mm) .....			
13	2			9699-0035-02	Planbricka .....	Flat washer .....			
14	2			9959-1020-16	Skruv .....	Screw .....			
16	1			1134-5294-01	Durk .....	Floor plate .....			
17	1			1134-5514-03	Durkmatta .....	Floor mat .....			
18	2			9893-0616-16	Skruv .....	Screw .....			
19	1			1134-5115-01	Stötfångare- grå .....	Bumper- grey .....			
20	2			9945-0816-16	Skruv .....	Screw .....			
21	2			9959-0820-16	Skruv .....	Screw .....			
22	2			9739-0831-22	Mutter .....	Nut .....			
25	2			1134-4100-01	Täckpropp .....	Plug .....			
40	1			1134-4916-01	Motorstag .....	Engine support .....			
41	1			1134-4918-01	Motorstag- fram .....	Engine support- front .....			
42	4			9997-1011-06	Skruv .....	Screw .....			
43	4			9699-0030-02	Planbricka .....	Flat washer .....			
44	4			1111-2453-01	Isolering .....	Grommet .....			
45	4			1134-4919-01	Distans .....	Spacer .....			
46	4			9739-1031-22	Mutter .....	Nut .....			
47	4			1134-4915-01	Stödkopp .....	Support cup .....			
48	4			1134-4920-01	Dämpelement .....	Vibration absorber .....			
49A	2			1134-0041-03	Hylsa .....	Collar .....		L = 55 mm	
49B	2			1134-0041-06	Hylsa .....	Collar .....		L = 52 mm	
50	4			9747-1031-02	Låsmutter .....	Lock nut .....			
51	2			9699-0030-02	Planbricka .....	Flat washer .....			

X

SparesDirect.com

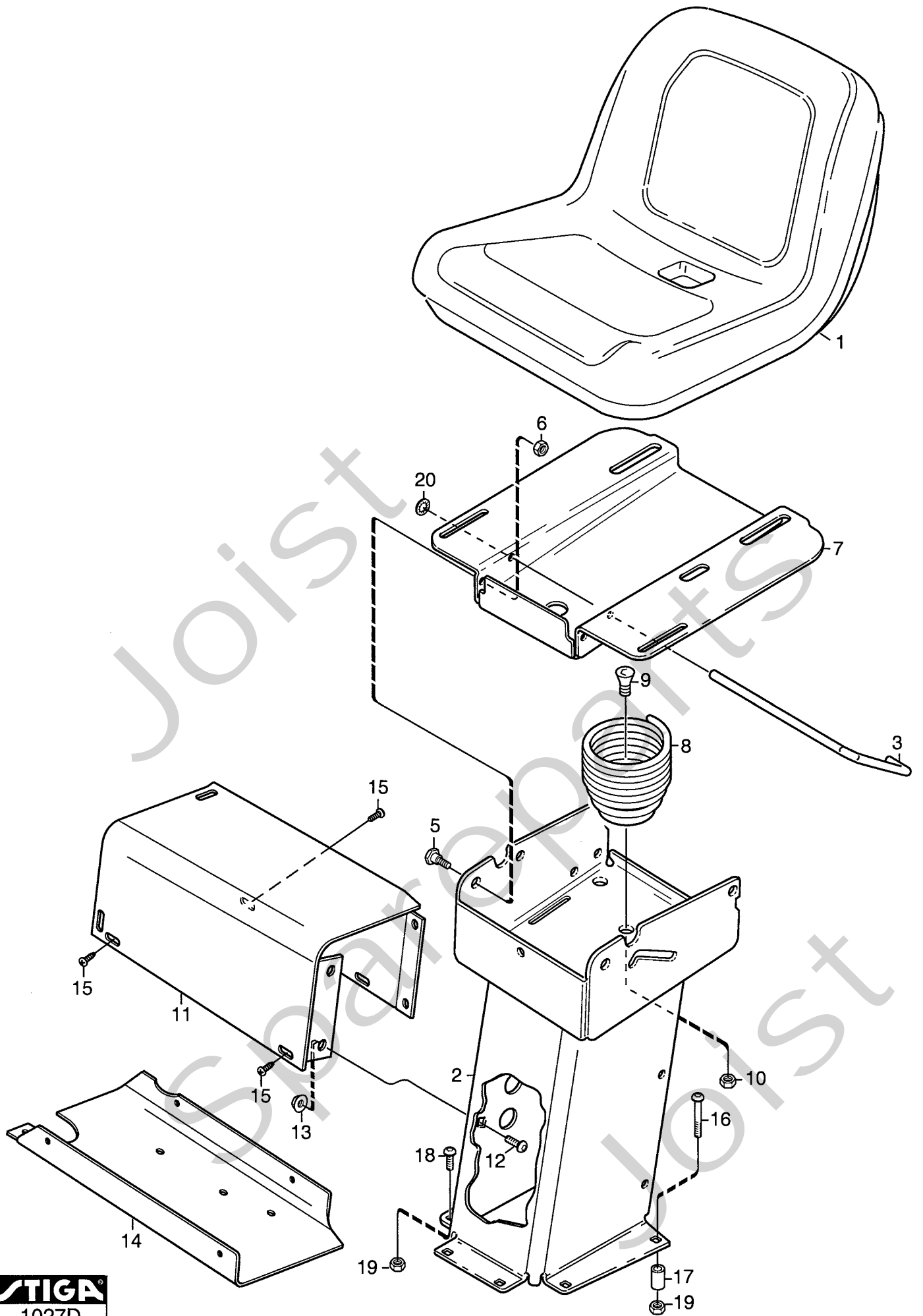


Utgåva Issue		Bildnr Picture No		PARK COMFORT- ROYAL- JUBILEE- PRO 16 PEDALLYFT		PARK COMFORT- ROYAL- JUBILEE- PRO 16 PEDAL LIFT		Sida Page	
2005- 11		1023D						44	
Pos. Fig.	Antal/Quantity			Art nr Part No	Benämning	Description	Sats Kit	Anmärkning Notes	
	6122	6123	6143						
	6216								
1	1			1134-4117-01	Fäste .....	Bracket .....			
2	2			1134-2684-01	Lager .....	Bearing .....			
3	1			1134-4945-01	Lyftspärr kpl .....	Lift catch assy .....			
7	1			9404-0027-01	• O-ring .....	• O-ring .....			
8	1			9650-0039-04	• Seegersäkring .....	• Lock ring .....			
9	1			9595-0276-01	• Spännstift .....	• Locating pin .....			
10	1			9997-0640-12	• Skruv .....	• Screw .....			
11	1			9747-0631-02	• Låsmutter .....	• Lock nut .....			
13	1			9897-0820-16	• Skruv .....	• Screw .....			
14	1			9747-0831-02	Mutter .....	Lock nut .....			
15	1			1134-4860-01	Lyftgaffel .....	Lift fork .....			
16	2			1134-0240-00	Ansatskruv .....	Shoulder screw .....			
17	1			1134-4938-01	Lyftpedal .....	Lift pedal .....			
18	2			9997-0625-16	Skruv .....	Screw .....			
19	2			9739-0631-22	Mutter .....	Nut .....			
20	1			4231-0013-00	Fjäder .....	Spring .....			

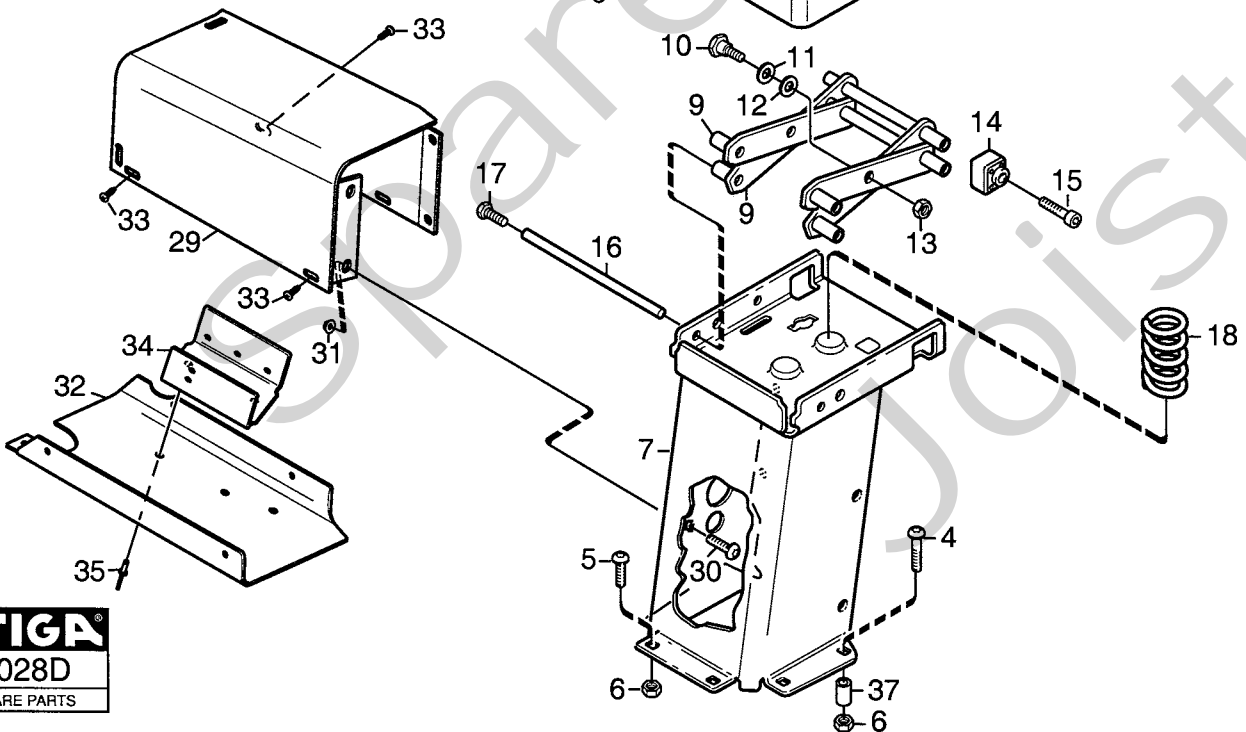
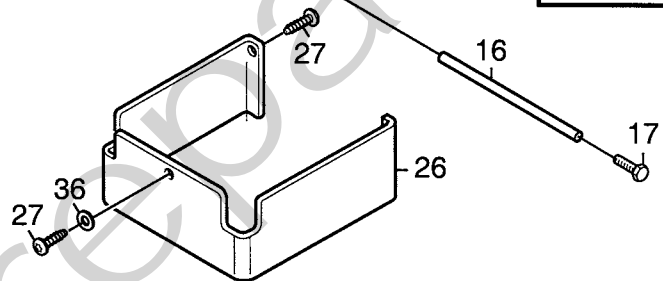
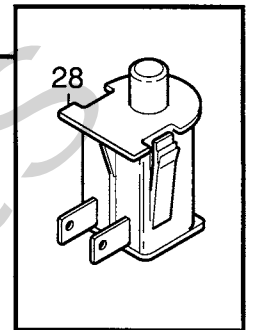
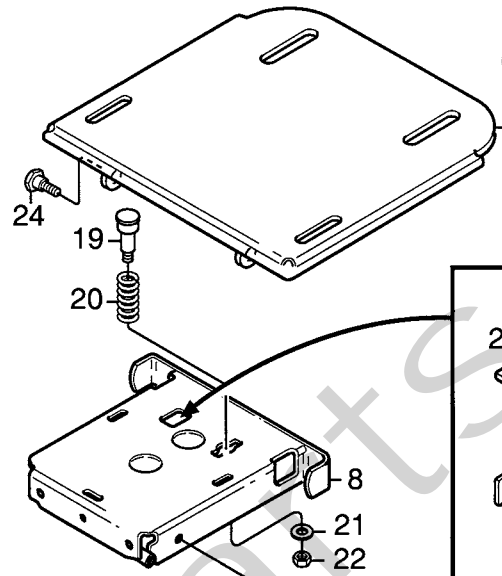
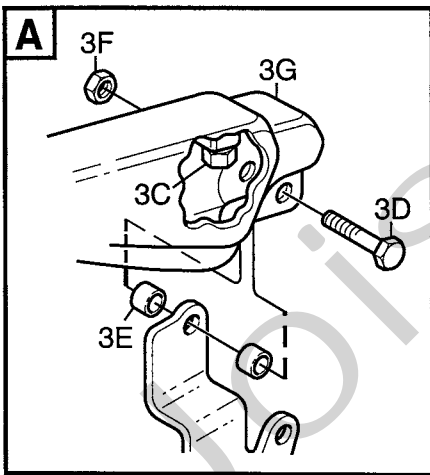
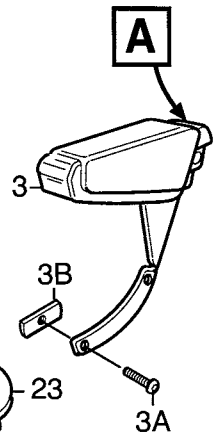
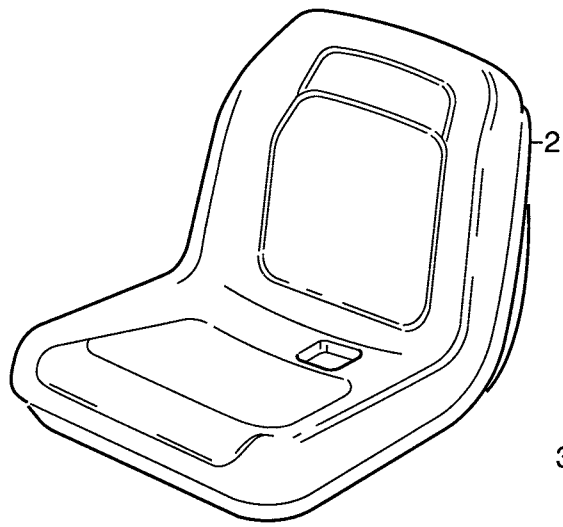
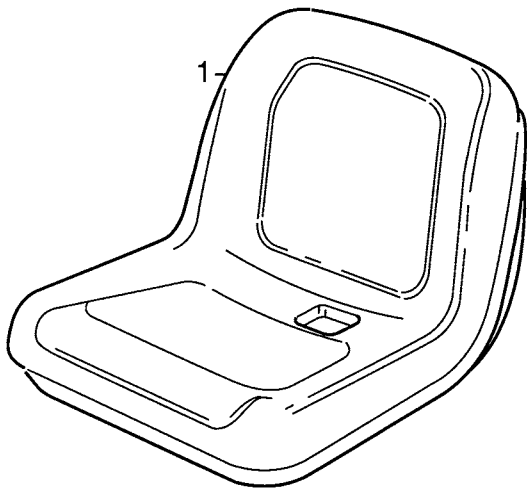




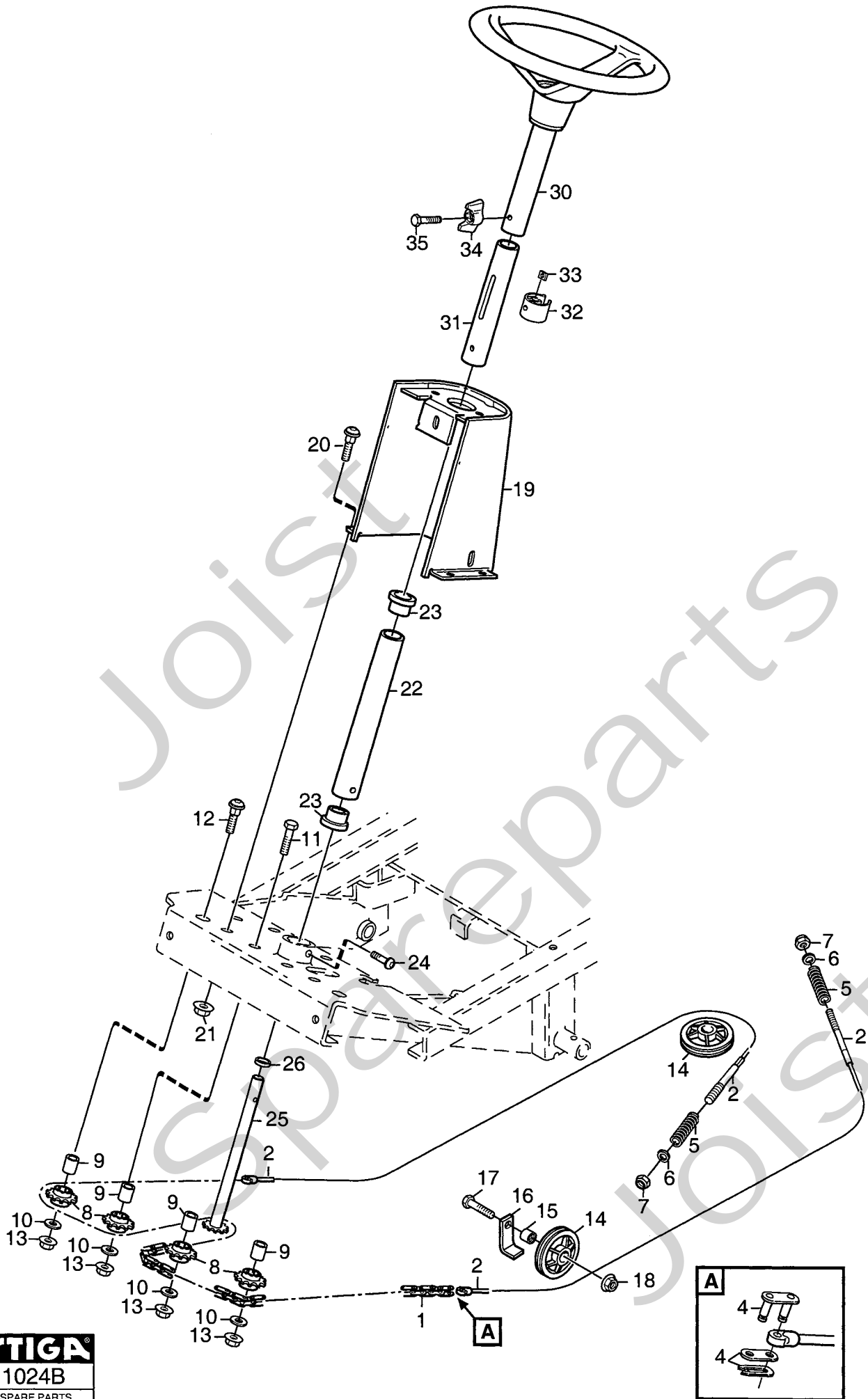
Utgåva Issue		Bildnr Picture No		PARK DIESEL HYDRAULLYFT		PARK DIESEL HYDRAULIC LIFT		Sida Page	
2005- 11		1376B						46	
Pos. Fig.	Antal/Quantity				Art nr Part No	Benämning	Description	Sats Kit	Anmärkning Notes
	6231								
X	1	1			1134-4117-01	Fäste .....	Bracket .....		
	2	2			1134-2684-01	Lager .....	Bearing .....		
	3	1			1134-4812-01	Lyftarm .....	Lift arm .....		
	5	1			1134-5596-01	Hydraulcylinder .....	Hydraulic cylinder .....		
	6	1			1134-4815-01	Cylinderfäste .....	Cylinder bracket .....		
	7	2			9699-0025-02	Planbricka .....	Washer .....		
	8	2			9893-0616-16	Skruv .....	Screw .....		
	9	1			1134-4816-01	Sprint .....	Pin .....		Ø 10 x 29
	10	1			9599-0054-02	Saxpinne .....	Cotter pin .....		
	11	1			1134-4817-01	Kolvstångssprint .....	Pin .....		Ø 10 x 34
	12	1			9599-0054-02	Saxpinne .....	Cotter pin .....		
	13	1			1134-5120-01	Hydraulventil .....	Hydraulic valve .....		
	13A	1			1134-5242-01	• Tryckbegr.ventil .....	• Pressure restr.valve .....		30 bar
	13B	2			1134-5241-01	• Magnetspole .....	• Magnet spool .....		12V DC, 18W
	13C	1			1134-5240-01	• Elventil .....	• Electric valve .....		NC
	13D	1			1134-5239-01	• Elventil .....	• Electric valve .....		NO
	13E	1			1134-4109-01	• Filterpatron .....	• Filter cartridge .....		
X	13F	1			1134-5687-01	• Mutter- låg .....	• Nut- low .....		
X	13G	1			1134-5688-01	• Mutter- hög .....	• Nut- high .....		
	14	1			1134-5028-01	Kontaktidon .....	Contact unit .....		
	16	2			9959-0612-16	Skruv .....	Screw .....		
	21	1			1134-4819-02	Hydraulslang .....	Hydraulic tube .....		
	22	1			1134-4824-01	Adapter .....	Adapter .....		1/4" x 1/8"
	23	1			1134-4948-01	Tredobricka .....	Seal washer .....		1/4"
	24	1			1134-4826-01	Banjoskruv .....	Banjo bolt .....		
	25	2			1134-4947-01	Kopparbricka .....	Copper washer .....		
	26	1			1134-4820-01	Hydraulslang .....	Hydraulic tube .....		
	27	1			1134-4824-01	Adapter .....	Adapter .....		1/4" x 1/8"
	28	1			1134-4948-01	Tredobricka .....	Seal washer .....		1/4"
	29	1			1134-4825-01	Adapter .....	Adapter .....		1/8" x 1/8"
	30	1			1134-4947-01	Kopparbricka .....	Copper washer .....		
	31	4			9579-0003-00	Buntband .....	Cable holder .....		



Utgåva Issue		Bildnr Picture No		PARK COMFORT- JUBILEE SITS		PARK COMFORT- JUBILEE SEAT		Sida Page	
2005- 11		1027D						48	
Pos. Fig.	Antal/Quantity			Art nr Part No	Benämning	Description	Sats Kit	Anmärkning Notes	
	6122 6143								
X 1	1			1134-4223-01	Sits .....	Seat .....			
2	1			1134-4211-07	Sitskonsol- gul.....	Seat bracket- yellow .....			
3	1			1134-5179-01	Spärr .....	Catch .....			
5	2			1134-0240-00	Ansattsskruv.....	Shoulder screw .....			
6	2			9747-0831-02	Mutter.....	Lock nut .....			
7	1			1134-4628-05	Överdel .....	Seat plate .....			
8	1			1134-4256-01	Sitsfjäder .....	Seat spring.....			
9	1			9924-1230-19	Skruv .....	Screw .....			
10	1			9747-1231-02	Låsmutter .....	Lock nut .....			
11	1			1134-3990-01	Armsvep .....	Attachment- side panel.....			
12	2			9897-0820-16	Skruv .....	Screw .....			
13	2			9739-0831-22	Mutter.....	Nut .....			
14	1			1134-4130-01	Lock- undre .....	Cover- lower .....			
15	4			9840-8019-16	Skruv .....	Screw .....			
16	2			9897-0880-12	Skruv .....	Screw .....		L = 80 mm	
17	2			1134-1565-08	Distans .....	Spacer .....			
18	4			9897-0820-16	Skruv .....	Screw .....		L = 20 mm	
19	6			9747-0831-02	Mutter.....	Lock nut .....			
20	1			9675-0012-02	Starlock .....	Locking washer.....			

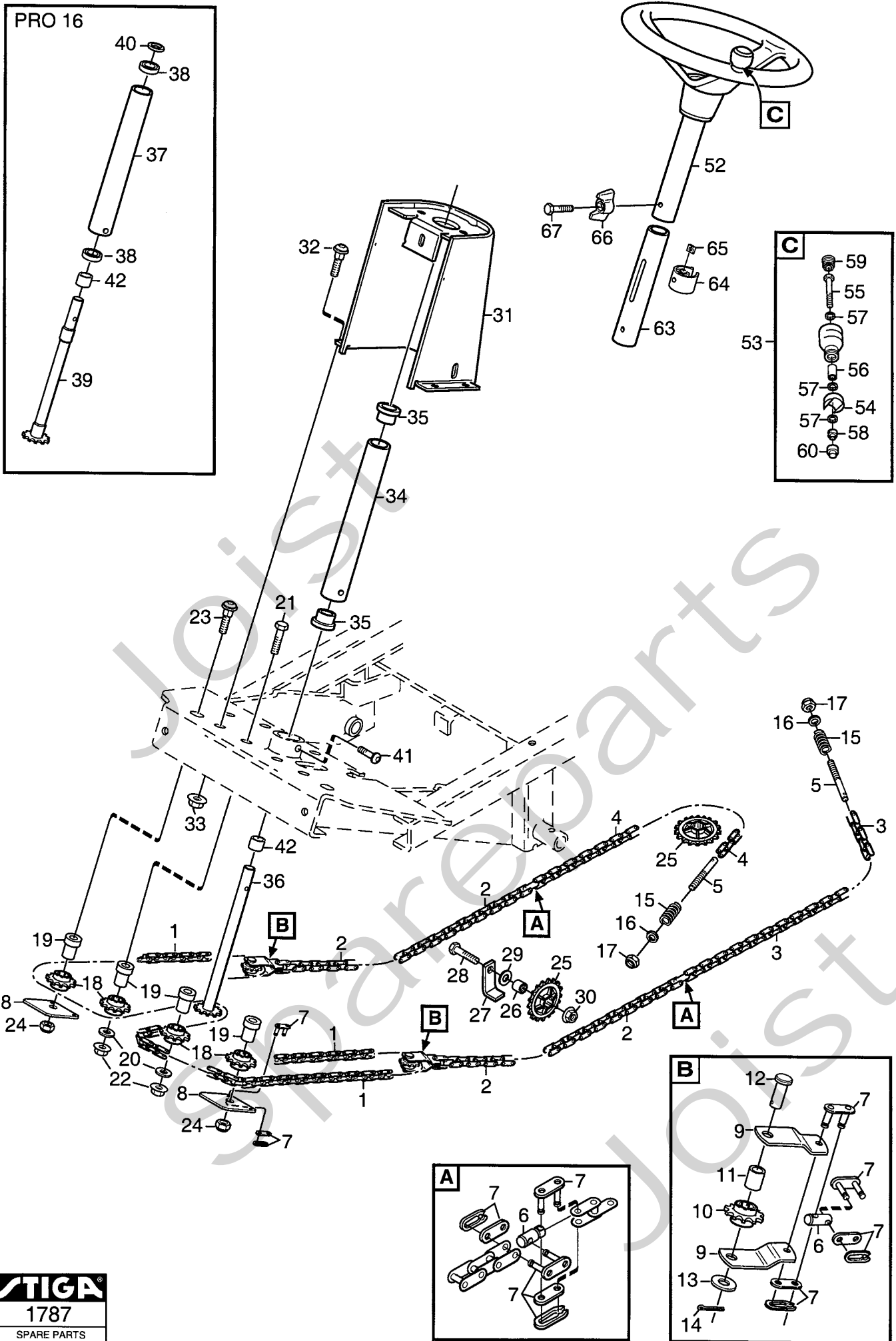


Utgåva Issue		Bildnr Picture No			PARK ROYAL- PRO 16- DIESEL SITS	PARK ROYAL- PRO 16- DIESEL SEAT	Sida Page	
2005- 11		1028D					50	
Pos. Fig.	Antal/Quantity			Art nr Part No	Benämning	Description	Sats Kit	Anmärkning Notes
	6123	6216	6231					
1	1			1134-4223-01	Sits .....	Seat .....		
2		1	1	1134-4224-01	Sits .....	Seat .....		
3			1	1134-4225-01	Armstöd kpl .....	Arm rests assy .....		
3A			6	1134-5095-01	• Skruv .....	• Button head screw .....		
3B			6	1134-5096-01	• Mutter .....	• Tab nut .....		
3C			2	9988-3713-16	• Skruv .....	• Screw .....		L = 13 mm
3D			2	9988-3745-12	• Skruv .....	• Screw .....		L = 45 mm
3E			4	1134-5094-01	• Distans .....	• Spacer .....		
3F			2	9795-3731-02	• Mutter .....	• Nut .....		
3G			2	1134-5879-01	• Armstödsdyna .....	• Arm rest pad .....		
4	2	2	2	9897-0880-12	Skruv .....	Screw .....		L = 80 mm
5	4	4	4	9897-0820-16	Skruv .....	Screw .....		L = 20 mm
6	6	6	6	9747-0831-02	Mutter .....	Lock nut .....		
7	1	1	1	1134-4085-05	Sitskonsol .....	Seat bracket .....		
8	1	1	1	1134-4144-01	Platta- övre .....	Seat plate- upper .....		
9	2	2	2	1134-4083-01	Länkarm .....	Pivot link .....		
10	2	2	2	1134-0240-00	Ansattsskruv .....	Shoulder screw .....		
11	2	2	2	9699-0069-02	Planbricka .....	Flat washer .....		
12	2	2	2	9665-0002-00	Brickfjäder .....	Bowed washer .....		
13	2	2	2	9747-0831-02	Mutter .....	Lock nut .....		
14	4	4	4	1134-4084-01	Glidsko .....	Slide block .....		
15	4	4	4	9939-0816-16	Skruv .....	Screw .....		
16	2	2	2	1134-4082-03	Axel .....	Shaft .....		
17	4	4	4	9959-0816-16	Skruv .....	Screw .....		
18	2	2	2	1134-4160-01	Fjäder .....	Seat spring .....		
19	1	1	1	1134-4153-01	Tryckpinne .....	Push pin .....		
20	1	1	1	1134-4159-01	Fjäder .....	Spring .....		
21	1	1	1	9699-0056-02	Planbricka .....	Flat washer .....		
22	1	1	1	9739-0831-22	Mutter .....	Nut .....		
23	1	1	1	1134-4213-01	Glidplatta .....	Slide plate .....		
24	2	2	2	1134-0240-00	Ansattsskruv .....	Shoulder screw .....		
26	1	1	1	1134-4142-01	Svep .....	Cover .....		
27	3	3	3	9852-8013-16	Skruv .....	Screw .....		
28	1	1	1	1134-3156-01	Brytare .....	Seat switch .....		
29	1	1	1	1134-3990-01	Armsvep .....	Attachment- side panel .....		
30	2	2	2	9897-0820-16	Skruv .....	Screw .....		
31	2	2	2	9739-0831-22	Mutter .....	Nut .....		
32	1	1	1	1134-4130-01	Lock- undre .....	Cover- lower .....		
33	4	4	4	9840-8019-16	Skruv .....	Screw .....		
34	1	1	1	1134-4135-01	Relähållare .....	Relay holder .....		
35	2	2	2	9632-0522-00	Popnit .....	Pop rivet .....		
36	1	1	1	9699-0087-02	Planbricka .....	Flat washer .....		
37	2	2	2	1134-1565-08	Distans .....	Spacer .....		



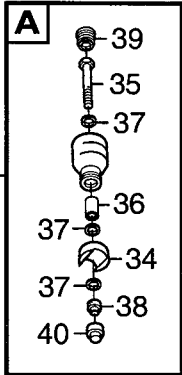
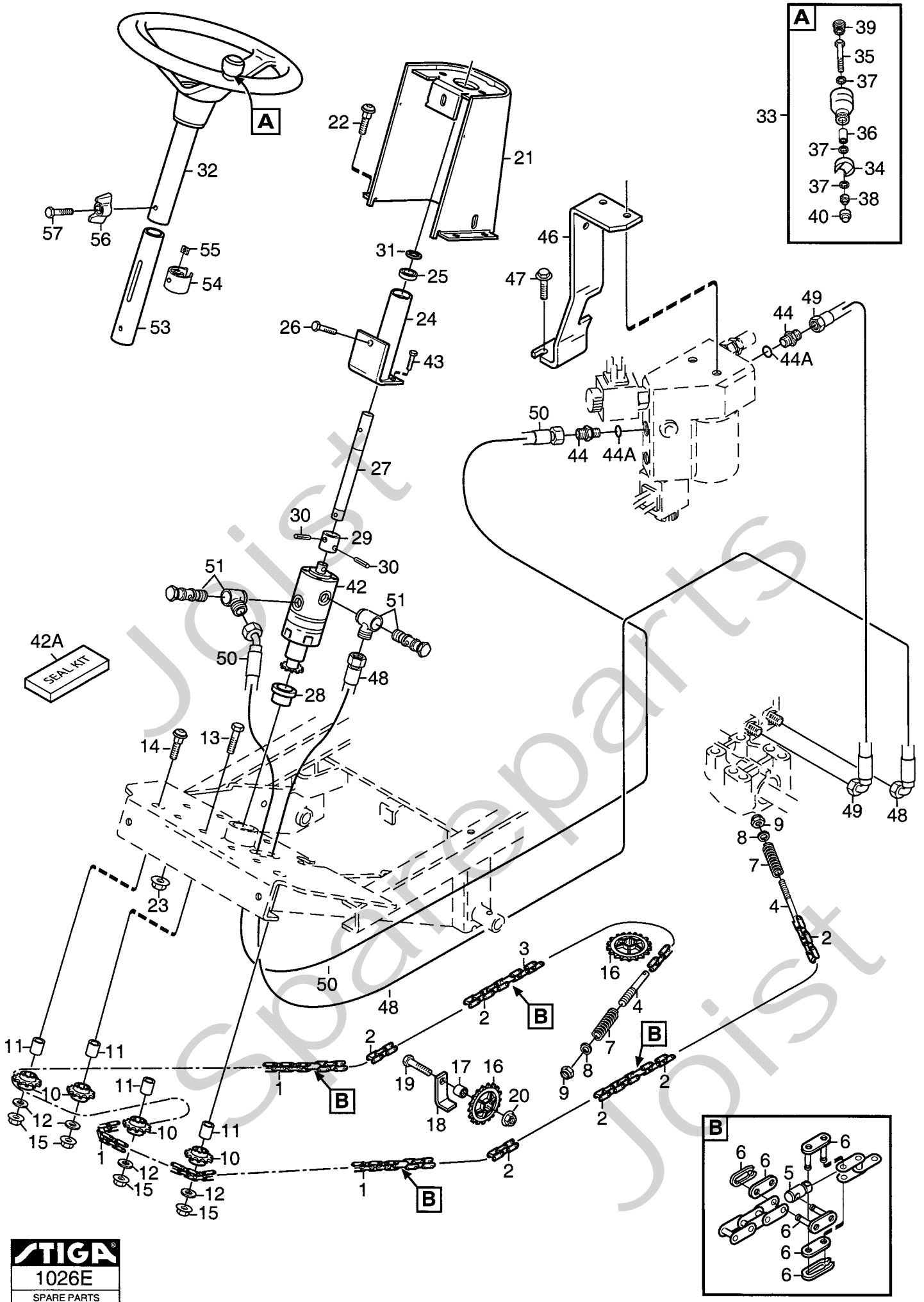


PRO 16

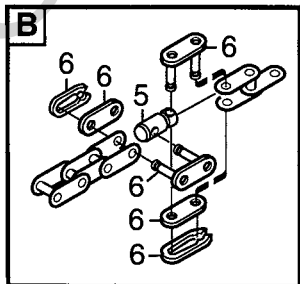




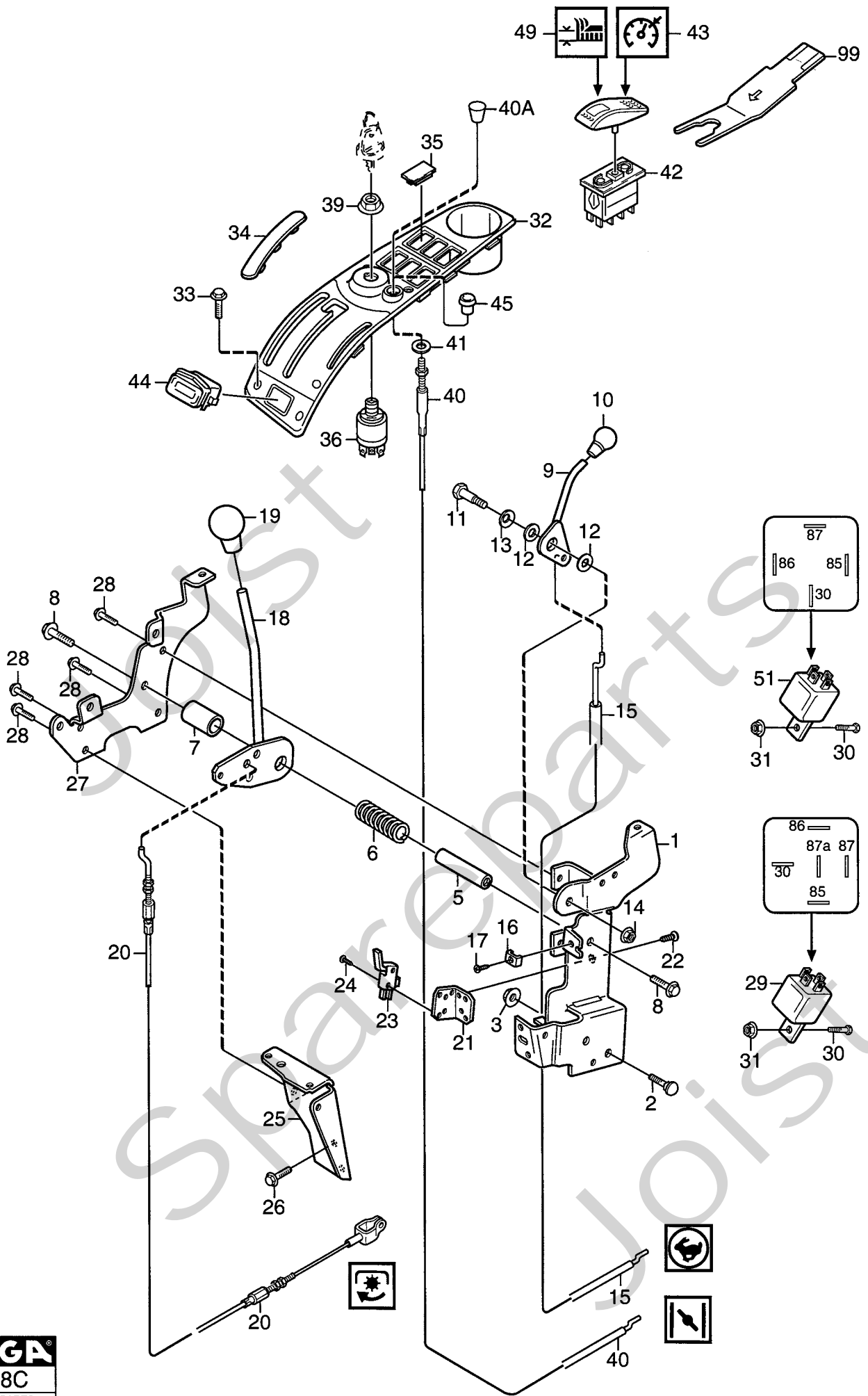
Utgåva Issue		Bildnr Picture No		PARK COMFORT-ROYAL-PRO 16 STYRNING		PARK COMFORT-ROYAL-PRO 16 STEERING		Sida Page	
2005-11		1787						54	
Pos. Fig.	Antal/Quantity			Art nr Part No	Benämning	Description	Sats Kit	Anmärkning Notes	
	6122 6123	6216							
X	1	1	1	1134-2820-10	Kedja .....	Chain .....		129 länk	
X	2	2	2	1134-2820-09	Kedja .....	Chain .....		35 länk	
	3	1	1	1134-2820-02	Kedja .....	Chain .....		41 länk	
X	4	1	1	1134-2820-05	Kedja .....	Chain .....		47 länk	
X	5	2	2	1134-3550-02	Ändnippel .....	End nipple .....			
	6	4	4	1134-3565-01	Skarvnippel .....	Connection nipple .....			
	7	12	12	1134-2824-01	Kedjelås .....	Chain lock .....			
X	8	2	2	1134-5652-01	Fäste .....	Attachment .....			
X	9	4	4	1134-5651-01	Bygel .....	Bracket .....			
	10	2	2	1134-2816-01	Kedjehjul .....	Sprocket .....			
	11	2	2	1134-0041-02	Linhjulshylsa .....	Idler wheel bush .....			
	12	2	2	1134-4817-01	Kolvstängssprint .....	Pin .....			
	13	2	2	9699-0035-02	Planbricka .....	Flat washer .....			
	14	2	2	9599-0054-02	Saxpinne .....	Cotter pin .....			
X	15	2	2	1134-3817-02	Tryckfjäder .....	Compression spring .....			
	16	2	2	9699-0090-02	Planbricka .....	Flat washer .....			
	17	2	2	9747-0831-02	Mutter .....	Lock nut .....			
	18	4	4	1134-2816-01	Kedjehjul .....	Sprocket .....			
X	19	4	4	1134-5653-01	Distans .....	Spacer .....			
	20	2	2	9699-0035-02	Planbricka .....	Flat washer .....			
	21	2	2	9997-1060-12	Skruv .....	Screw .....			
	22	2	2	9739-1031-22	Mutter .....	Nut .....			
X	23	2	2	9897-1060-12	Skruv .....	Screw .....			
	24	2	2	9747-1031-02	Låsmutter .....	Lock nut .....			
	25	3	3	1134-3547-01	Kedjehjul .....	Sprocket .....			
	26	2	2	1134-0041-01	Linhjulshylsa .....	Bushing .....			
	27	2	2	1134-3022-01	Linhållare .....	Cable holder .....			
	28	2	2	9997-1040-16	Skruv .....	Screw .....			
	29	2	2	9699-0035-02	Planbricka .....	Flat washer .....			
	30	2	2	9739-1031-22	Mutter .....	Nut .....			
	31	1	1	1134-4120-03	Styrkonsol .....	Steering console .....			
	32	4	4	9897-0820-16	Skruv .....	Screw .....			
	33	4	4	9739-0831-22	Mutter .....	Nut .....			
	34	1		1134-1305-03	Rattrör-nedre .....	Steering column-lower .....			
	35	2		1134-1901-01	Lager .....	Bearing .....			
X	36	1		1134-2821-04	Rattstäng .....	Steering rod .....			
	37		1	1134-3085-01	Rattrör-nedre .....	Steering column-lower .....			
	38		2	9549-0017-00	Kullager .....	Ball bearing .....			
X	39		1	1134-5691-01	Rattstäng .....	Steering rod .....			
	40		1	9695-0011-00	Bricka .....	Washer .....			
	41	2	2	9893-0616-16	Skruv .....	Screw .....			
X	42	1	1	1134-2837-03	Distans .....	Spacer .....			
	52	1	1	1134-5173-02	Ratt kpl .....	Steering wheel assy .....			
	53	1	1	1134-3769-01	• Styrknopp kpl .....	• Steering wheel button .....			
	54	1	1	1134-3752-01	•• Knoppfäste .....	•• Knob holder .....			
	55	1	1	9997-0865-12	•• Skruv .....	•• Screw .....			
	56	1	1	1134-1565-06	•• Distans .....	•• Spacer .....			
	57	3	3	9699-0090-02	•• Planbricka .....	•• Flat washer .....			
	58	1	1	9747-0831-02	•• Mutter .....	•• Lock nut .....			
	59	1	1	9403-0043-70	•• Plugg .....	•• Plug .....			
	60	1	1	9403-0113-00	•• Mutterhatt .....	•• Nut cap .....			
	63	1	1	1134-5216-01	Rattrör-inre kpl .....	Steering tube-inner .....			
	64	1	1	1134-5177-01	• Slid .....	• Slide .....			
	65	1	1	9710-0631-12	• Fyrkantmutter .....	• Square nut .....			
	66	1	1	1134-4481-02	Vingmutter .....	Wing nut .....			
	67	1	1	9997-0630-12	Skruv .....	Screw .....			



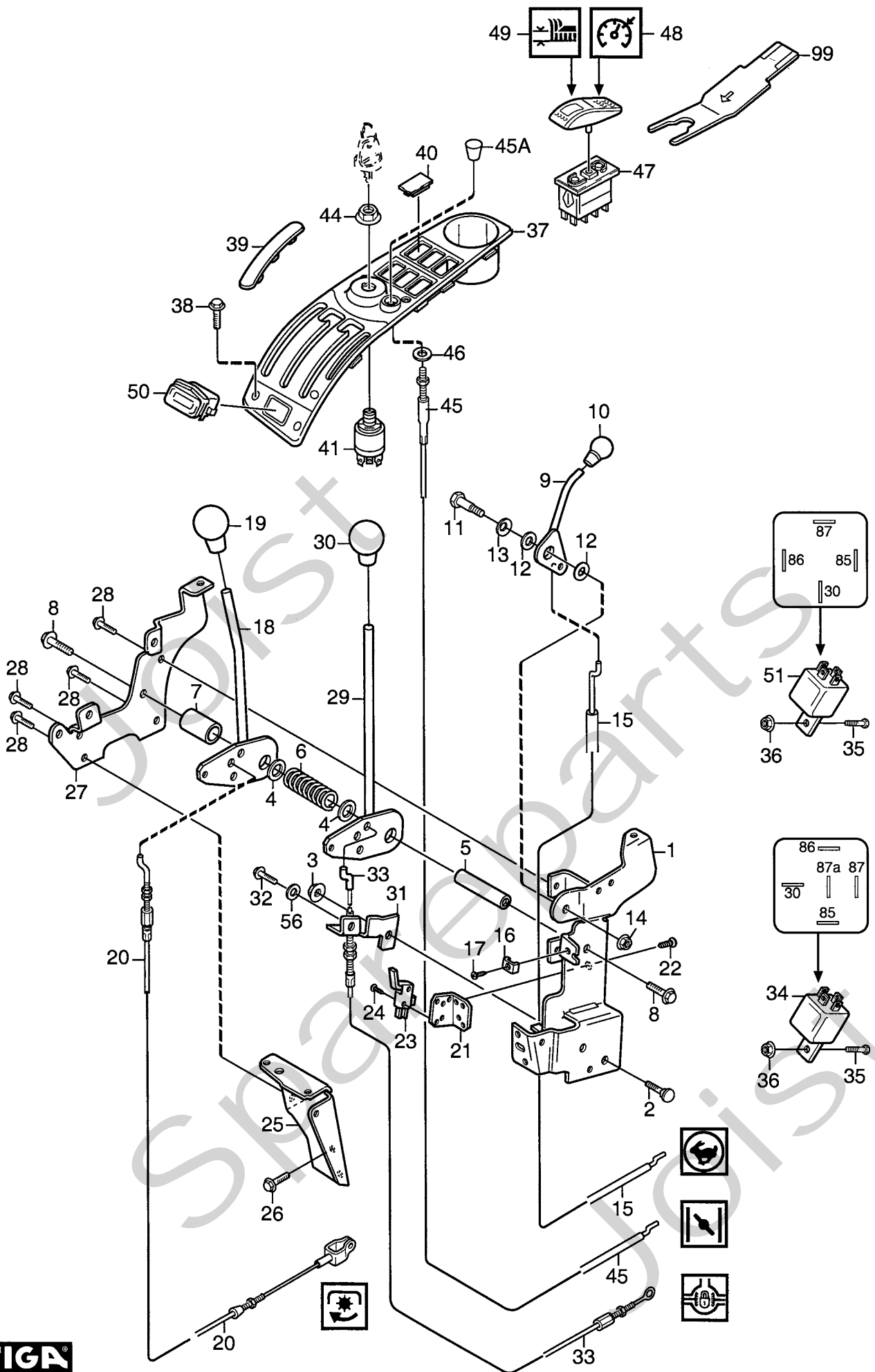
42A  
SEAL KIT



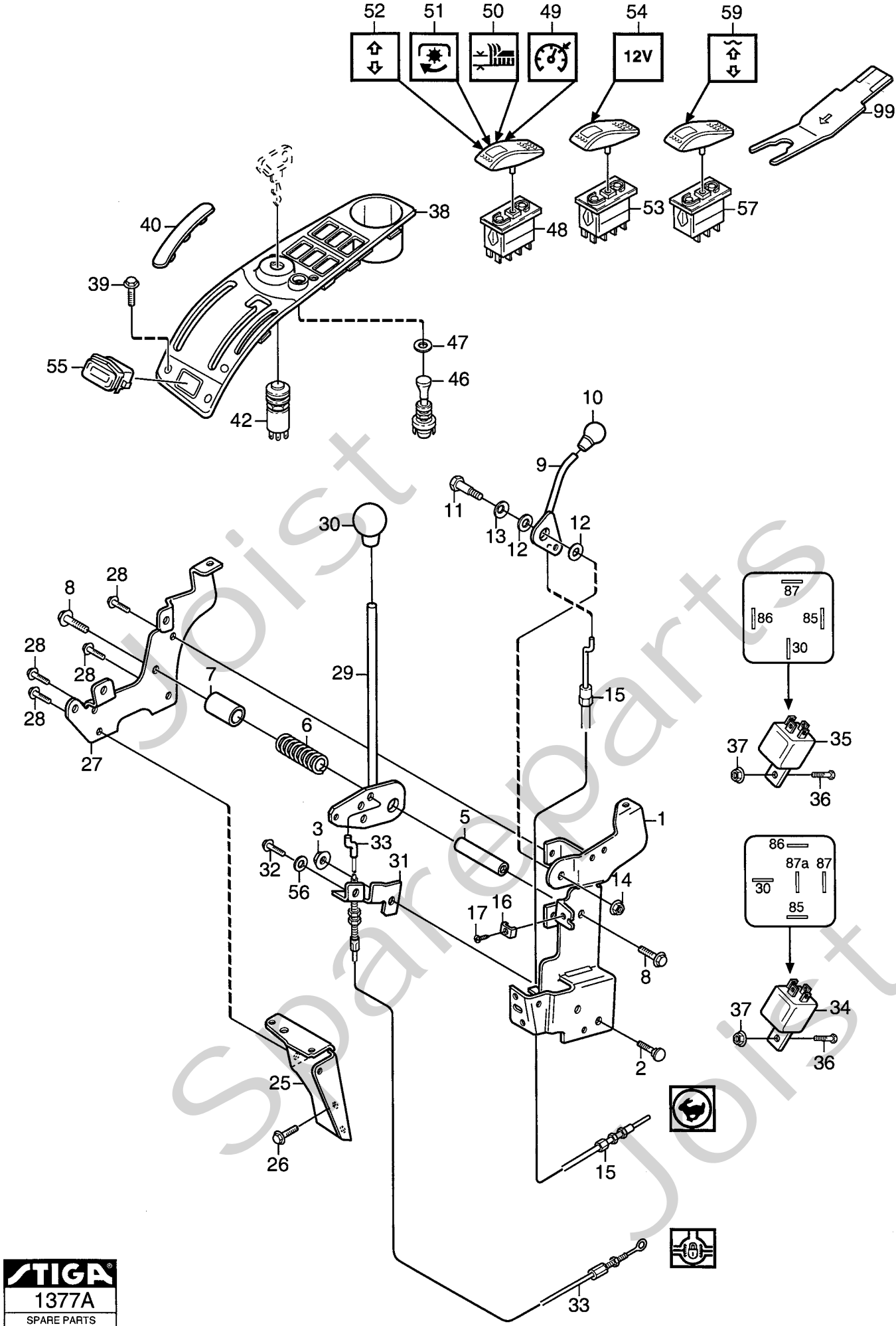
Utgåva Issue		Bildnr Picture No		PARK DIESEL STYRNING		PARK DIESEL STEERING		Sida Page	
2005-11		1026E						56	
Pos. Fig.	Antal/Quantity			Art nr Part No	Benämning	Description	Sats Kit	Anmärkning Notes	
	6231								
1	1			1134-2820-06	Kedja .....	Chain .....		83 länk	
2	3			1134-2820-02	Kedja .....	Chain .....		41 länk	
3	1			1134-2820-04	Kedja .....	Chain .....		45 länk	
4	2			1134-3550-01	Ändnippel .....	End nipple .....			
5	4			1134-3565-01	Skarvnippel .....	Connection nipple .....			
6	10			1134-2824-01	Kedjelås .....	Chain lock .....			
7	2			1134-3817-01	Tryckfjäder .....	Compression spring .....			
8	2			9699-0090-02	Planbricka .....	Flat washer .....			
9	2			9747-0831-02	Mutter .....	Lock nut .....			
10	4			1134-2816-01	Kedjehjul .....	Sprocket .....			
11	4			1134-0041-02	Linhjulshylsa .....	Idler wheel bush .....			
12	4			9699-0035-02	Planbricka .....	Flat washer .....			
13	2			9997-1050-16	Skruv .....	Screw .....			
14	2			9897-1040-12	Skruv .....	Screw .....			
15	4			9739-1031-22	Mutter .....	Nut .....			
16	3			1134-3547-01	Kedjehjul .....	Sprocket .....			
17	2			1134-0041-01	Linhjulshylsa .....	Bushing .....			
18	2			1134-3022-01	Linhållare .....	Cable holder .....			
19	2			9997-1030-16	Skruv .....	Screw .....			
20	2			9739-1031-22	Mutter .....	Nut .....			
21	1			1134-4120-03	Styrkonsol .....	Steering console .....			
22	4			9897-0820-16	Skruv .....	Screw .....			
23	4			9739-0831-22	Mutter .....	Nut .....			
24	1			1134-4113-02	Rattrör- nedre .....	Steering tube- lower .....			
25	1			9549-0017-00	Kullager .....	Ball bearing .....			
26	1			9945-0816-16	Skruv .....	Screw .....			
27	1			1134-4087-01	Rattstång .....	Steering rod .....			
28	1			1134-4114-01	Bussning .....	Bushing .....			
29	1			1134-4118-01	Koppling .....	Coupling .....			
30	2			9595-0256-01	Spännstift .....	Pin .....			
31	1			9695-0011-00	Bricka .....	Washer .....			
32	1			1134-5173-02	Ratt kpl .....	Steering wheel assy .....			
33	1			1134-3769-01	• Styrknopp kpl .....	• Steering wheel button .....			
34	1			1134-3752-01	•• Knopffäste .....	•• Knob holder .....			
35	1			9997-0865-12	•• Skruv .....	•• Screw .....			
36	1			1134-1565-06	•• Distans .....	•• Spacer .....			
37	3			9699-0090-02	•• Planbricka .....	•• Flat washer .....			
38	1			9747-0831-02	•• Mutter .....	•• Lock nut .....			
39	1			9403-0043-70	•• Plugg .....	•• Plug .....			
40	1			9403-0113-00	•• Mutterhatt .....	•• Nut cap .....			
42	1			1134-5162-01	Momentförstärkare .....	Steering booster .....			
42 A	1			1139-2074-01	Reparationssats .....	Seal kit .....			
43	3			9939-0612-16	Skruv .....	Screw .....			
44	2			1134-4282-01	Hydraulinippel .....	Hydraulic nipple .....		9/16" x 9/16"	
44 A	2			9404-0028-01	• O-ring .....	• O-ring .....			
46	1			1134-4982-02	Filterfäste .....	Filter bracket .....			
47	2			9945-0816-16	Skruv .....	Screw .....			
48	1			1134-5098-01	Hydraulslang .....	Hydraulic tube .....		L = 1690 mm	
49	1			1134-4229-01	Hydraulslang .....	Hydraulic tube .....		L = 615 mm	
50	1			1134-5099-01	Hydraulslang .....	Hydraulic tube .....		L = 1300 mm	
51	2			1134-5100-01	Banjokoppling .....	Banjo nipple .....			
53	1			1134-5216-01	Rattrör- inre kpl .....	Steering tube- inner .....			
54	1			1134-5177-01	• Slid .....	• Slide .....			
55	1			9710-0631-12	• Fyrkantmutter .....	• Square nut .....			
56	1			1134-4481-02	Vingmutter .....	Wing nut .....			
57	1			9997-0630-12	Skruv .....	Screw .....			



Utgåva Issue		Bildnr Picture No			PARK COMFORT- ROYAL- JUBILEE HANDREGLAGE		PARK COMFORT- ROYAL- JUBILEE HAND CONTROLS		Sida Page	
2005- 11		1038C							58	
Pos. Fig.	Antal/Quantity			Art nr Part No	Benämning	Description	Sats Kit	Anmärkning Notes		
	6122	6123	6143							
1	1	1	1	1134-4156-01	Vinkelhållare .....	Panel bracket-inner .....				
2	2	2	2	9897-0820-16	Skruv .....	Screw .....				
3	2	2	2	9739-0831-22	Mutter.....	Nut .....				
5	1	1	1	1134-4065-01	Reglageaxel .....	Control shaft .....				
6	1	1	1	1134-4079-01	Fjäder.....	Spring .....				
7	1	1	1	1134-4080-03	Reglagehylsa .....	Control sleeve .....				
8	2	2	2	9959-0820-16	Skruv .....	Screw .....				
9	1	1	1	1134-4077-01	Gasreglage.....	Throttle control .....				
10	1	1	1	1134-4078-01	Knopp.....	Knob .....				
11	1	1	1	1134-0240-00	Ansattsskruv.....	Shoulder screw .....				
12	2	2	2	1134-4242-01	Distansbricka .....	Spacer washer .....				
13	1	1	1	9694-0001-00	Fjäderbricka .....	Washer.....				
14	1	1	1	9739-0831-22	Mutter.....	Nut .....				
15			1	1134-4195-01	Gaswire .....	Throttle cable .....				
15		1		1134-4195-02	Gaswire .....	Throttle cable .....				
15	1			1134-4197-01	Gaswire .....	Throttle cable .....				
16	1	1	1	9500-9991-00	Wireklämma .....	Cable clamp .....				
17	1	1	1	9943-0516-16	Skruv .....	Screw .....				
18	1	1	1	1134-4072-01	Aggregatspak.....	Control lever .....				
19	1	1	1	1134-2551-01	Reglageknopp.....	Knob .....				
20	1	1	1	1134-3573-03	Wire.....	PTO cable .....				
21	1	1	1	1134-5358-01	Brytarfäste .....	Switch bracket .....				
22	2	2	2	9852-8013-16	Skruv .....	Screw .....				
23	1	1	1	9400-0285-01	Microbrytare.....	Switch .....				
24	2	2	2	9840-7716-16	Skruv .....	Screw .....				
25	1	1	1	1134-4487-02	Frontfäste .....	Panel bracket .....				
26	2	2	2	9893-0616-16	Skruv .....	Screw .....				
27	1	1	1	1134-3986-01	Frontplåt .....	Front plate .....				
28	4	4	4	9893-0616-16	Skruv .....	Screw .....				
29		2		1134-2871-03	Relä .....	Relay .....				
30		3		9997-0512-16	Skruv .....	Screw .....				
31		3		9739-0531-22	Mutter.....	Nut .....				
32		1	1	1134-3981-02	Kassett .....	Dashboard .....				
32	1			1134-3981-05	Kassett .....	Dashboard .....				
33	4	4	4	9946-0525-16	Skruv .....	Screw .....				
34	1	1	1	1134-4154-01	Täckbricka .....	Cover .....				
35	6	4	6	1134-4129-01	Täckbricka .....	Cover .....				
36	1	1	1	1134-4093-01	Tändningslås .....	Ignition switch .....				
39	1	1	1	1134-4749-01	Mutter.....	Nut .....				
40			1	1134-2872-02	Chokereglage.....	Choke control .....				
40		1		1134-2872-03	Chokereglage.....	Choke control .....				
40A		1	1	1134-4338-01	Reglageknopp.....	Control knob .....				
41		1	1	9699-0028-02	Planbricka.....	Flat washer .....				
42		2		9400-0282-01	Brytare m.diod.....	Switch w.diode.....				
43		1		9400-0280-02	Vippa-farthållare .....	Cover-cruise control .....				
44	1	1	1	1134-4179-02	Timräknare .....	Hour meter .....				
45	1			1134-4100-01	Täckpropp .....	Plug .....				
49		1		9400-0280-03	Vippa-höjdställning.....	Cover-height adjust .....				
51		1		1134-2871-01	Relä .....	Relay .....				
99		1		9400-0290-01	Verktyg f.vippa.....	Tool for cover .....		Tillbehör/Accessory		

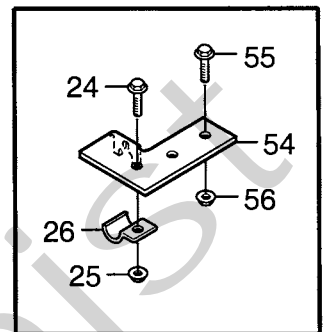
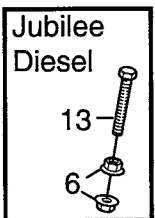
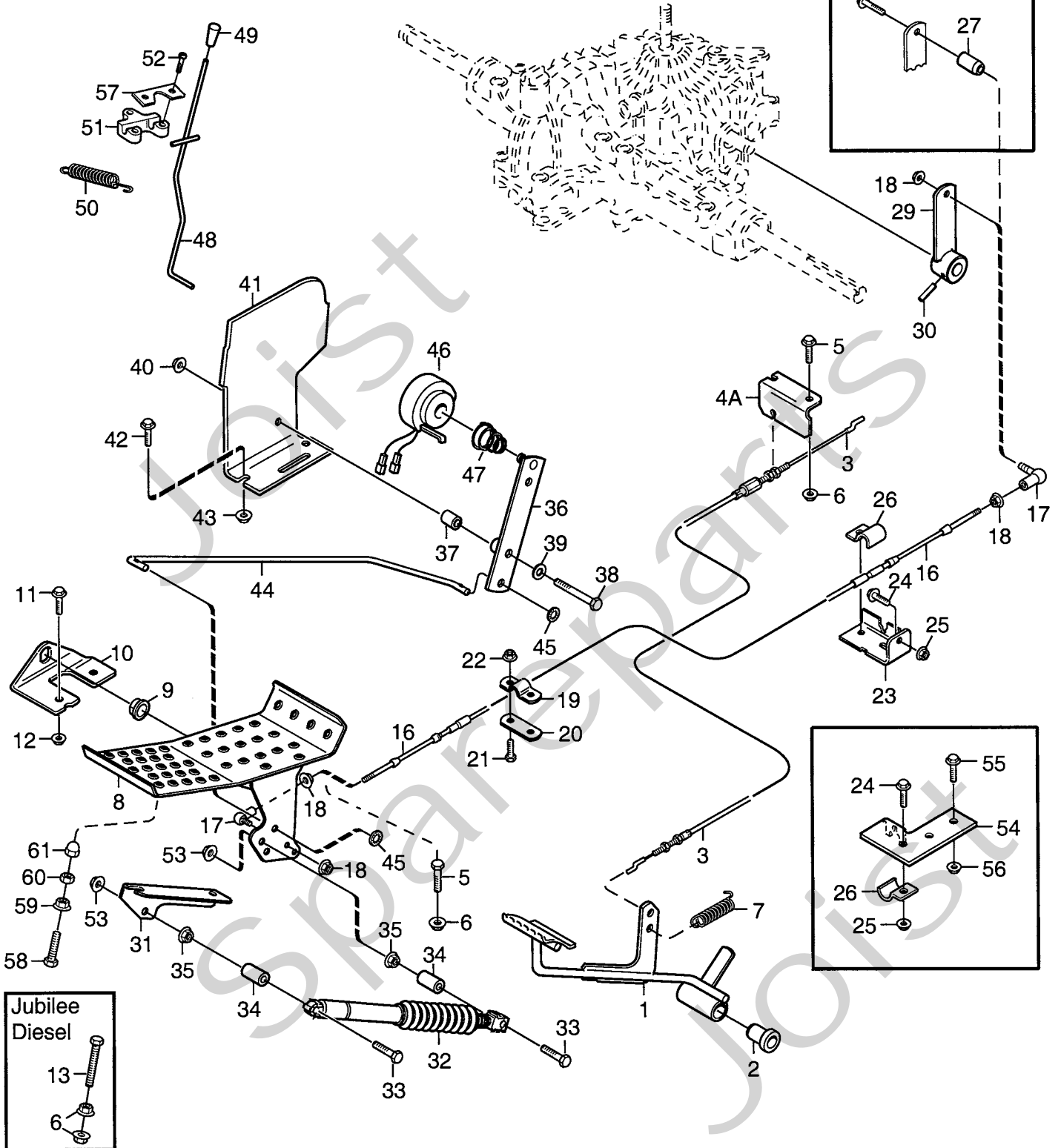
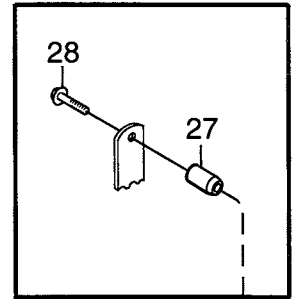
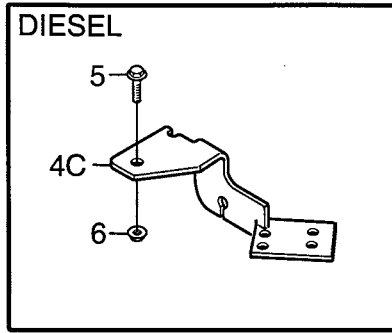
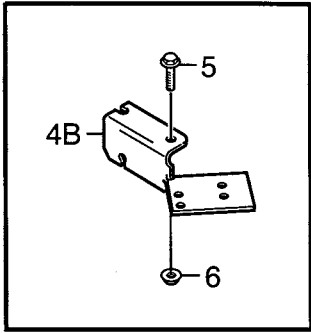


Utgåva Issue		Bildnr Picture No		PARK PRO 16 HANDREGLAGE		PARK PRO 16 HAND CONTROLS		Sida Page	
2005-11		1039C						60	
Pos. Fig.	Antal/Quantity			Art nr Part No	Benämning	Description	Sats Kit	Anmärkning Notes	
	6216								
1	1			1134-4156-01	Vinkelhållare .....	Panel bracket- inner .....			
2	2			9897-0820-16	Skruv .....	Screw .....			
3	2			9739-0831-22	Mutter .....	Nut .....			
4	2			9695-0011-00	Bricka .....	Washer .....			
5	1			1134-4065-01	Reglageaxel .....	Control shaft .....			
6	1			1134-4079-01	Fjäder .....	Spring .....			
7	1			1134-4080-03	Reglagehylsa .....	Control sleeve .....			
8	2			9959-0820-16	Skruv .....	Screw .....			
9	1			1134-4077-01	Gasreglage .....	Throttle control .....			
10	1			1134-4078-01	Knopp .....	Knob .....			
11	1			1134-0240-00	Ansätsskruv .....	Shoulder screw .....			
12	2			1134-4242-01	Distansbricka .....	Spacer washer .....			
13	1			9694-0001-00	Fjäderbricka .....	Washer .....			
14	1			9739-0831-22	Mutter .....	Nut .....			
15	1			1134-4195-01	Gaswire .....	Throttle cable .....			
16	1			9500-9991-00	Wireklämma .....	Cable clamp .....			
17	1			9943-0516-16	Skruv .....	Screw .....			
18	1			1134-4072-01	Aggregatspak .....	Control lever .....			
19	1			1134-2551-01	Reglageknopp .....	Knob .....			
20	1			1134-3573-03	Wire .....	PTO cable .....			
21	1			1134-5358-01	Brytarfäste .....	Switch bracket .....			
22	2			9852-8013-16	Skruv .....	Screw .....			
23	1			9400-0285-01	Microbrytare .....	Switch .....			
24	2			9840-7716-16	Skruv .....	Screw .....			
25	1			1134-4487-02	Frontfäste .....	Panel bracket .....			
26	2			9893-0616-16	Skruv .....	Screw .....			
27	1			1134-3986-01	Frontplåt .....	Front plate .....			
28	4			9893-0616-16	Skruv .....	Screw .....			
29	1			1134-4069-01	Reglagespak .....	Control lever .....			
30	1			1134-2551-01	Reglageknopp .....	Knob .....			
31	1			1134-4073-01	Wirefästplåt .....	Cable holder .....			
32	1			9942-0612-16	Skruv .....	Screw .....			
33	1			1134-4006-01	Wire .....	Cable .....			
34	2			1134-2871-03	Relä .....	Relay .....			
35	3			9997-0512-16	Skruv .....	Screw .....			
36	3			9739-0531-22	Mutter .....	Nut .....			
37	1			1134-3981-03	Kassett .....	Dashboard .....			
38	4			9946-0525-16	Skruv .....	Screw .....			
39	1			1134-4154-01	Täckbricka .....	Cover .....			
40	4			1134-4129-01	Täckbricka .....	Cover .....			
41	1			1134-4093-01	Tändningslås .....	Ignition switch .....			
44	1			1134-4749-01	Mutter .....	Nut .....			
45	1			1134-2872-02	Chokeregglage .....	Choke control .....			
45 A	1			1134-4338-01	• Reglageknopp .....	• Control knob .....			
46	2			9699-0028-02	Planbricka .....	Flat washer .....			
47	2			9400-0282-01	Brytare m.diod .....	Switch w.diode .....			
48	1			9400-0280-02	Vippa- farthållare .....	Cover- cruise control .....			
49	1			9400-0280-03	Vippa- höjdställning .....	Cover- height adjust .....			
50	1			1134-4179-02	Timräknare .....	Hour meter .....			
51	1			1134-2871-01	Relä .....	Relay .....			
56	1			9699-0025-02	Planbricka .....	Washer .....			
99	1			9400-0290-01	Verktyg f.vippa .....	Tool for cover .....		Tillbehör/Accessory	

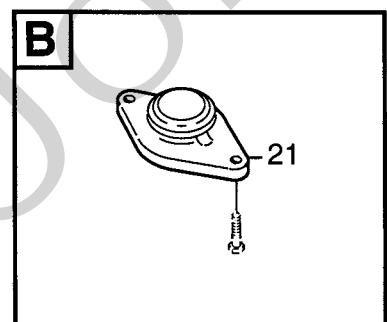
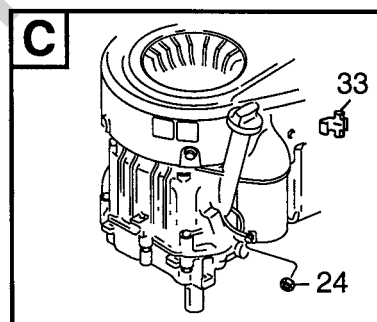
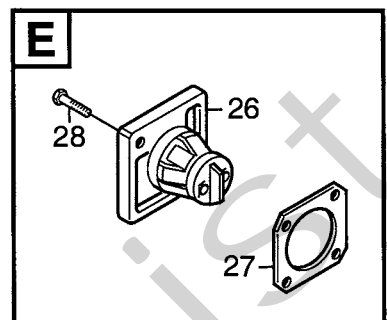
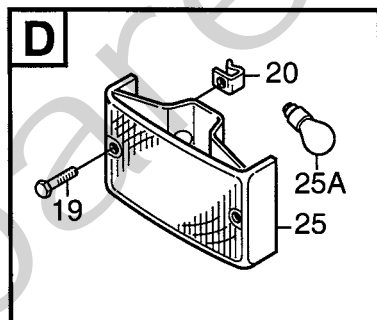
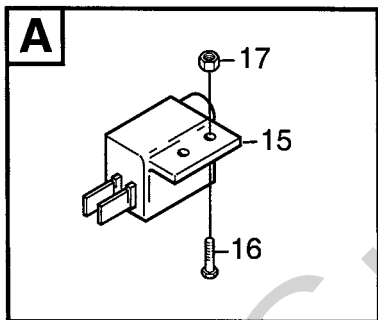
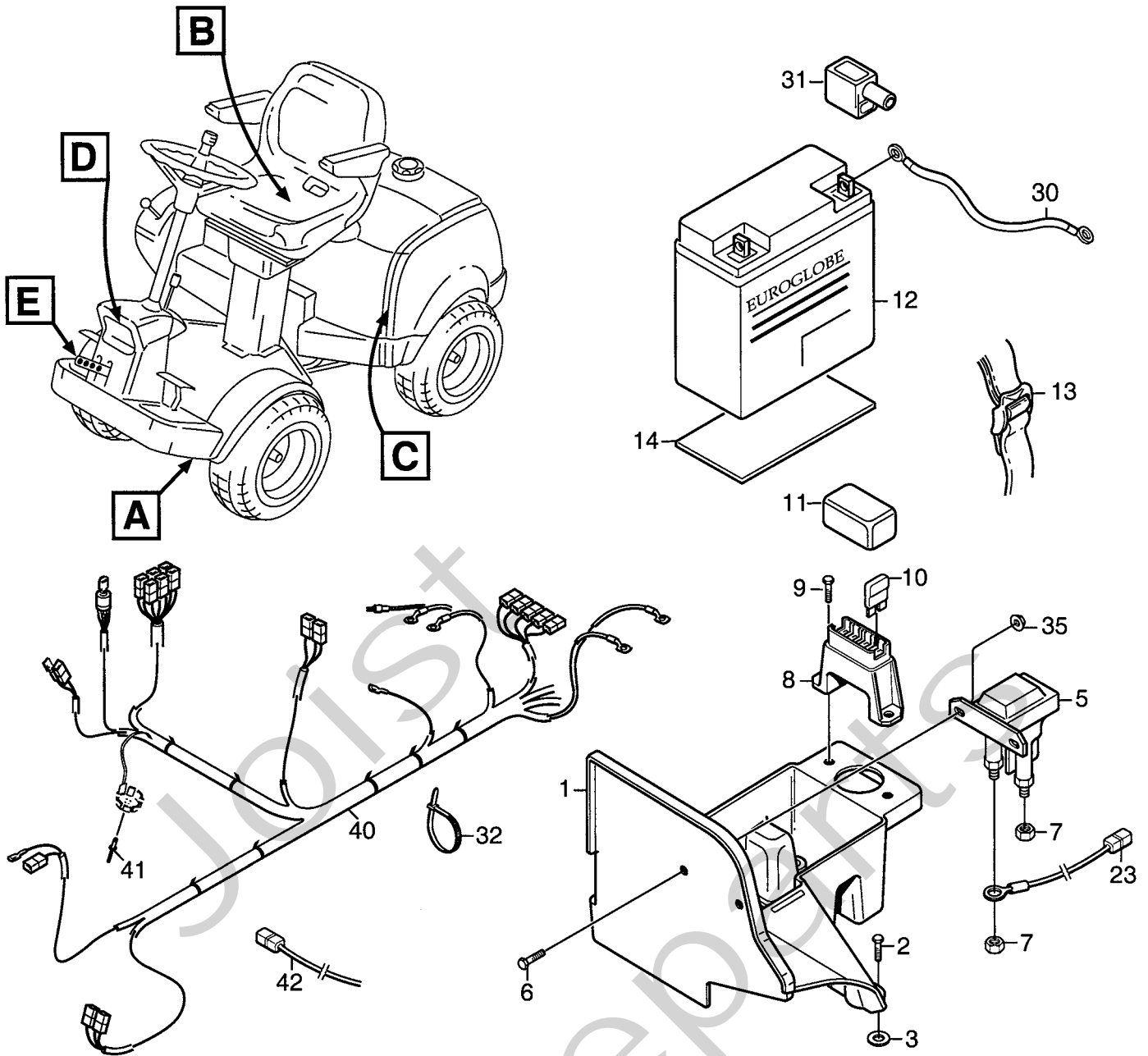




Utgåva Issue		Bildnr Picture No		PARK DIESEL HANDREGLAGE		PARK DIESEL HAND CONTROLS		Sida Page	
2005- 11		1377A						62	
Pos. Fig.	Antal/Quantity			Art nr Part No	Benämning	Description	Sats Kit	Anmärkning Notes	
	6231								
1	1			1134-4156-01	Vinkelhållare .....	Panel bracket- inner .....			
2	2			9897-0820-16	Skruv .....	Screw .....			
3	2			9739-0831-22	Mutter .....	Nut .....			
5	1			1134-4065-01	Reglageaxel .....	Control shaft .....			
6	1			1134-4079-01	Fjäder .....	Spring .....			
7	1			1134-4080-03	Reglagehylsa .....	Control sleeve .....			
8	2			9959-0820-16	Skruv .....	Screw .....			
9	1			1134-4077-01	Gasreglage .....	Throttle control .....			
10	1			1134-4078-01	Knopp .....	Knob .....			
11	1			1134-0240-00	Ansattsskruv .....	Shoulder screw .....			
12	2			1134-4242-01	Distansbricka .....	Spacer washer .....			
13	1			9694-0001-00	Fjäderbricka .....	Washer .....			
14	1			9739-0831-22	Mutter .....	Nut .....			
15	1			1134-4923-01	Gaswire .....	Throttle cable .....			
16	1			9500-9991-00	Wireklämma .....	Cable clamp .....			
17	1			9943-0516-16	Skruv .....	Screw .....			
25	1			1134-4487-02	Frontfäste .....	Panel bracket .....			
26	2			9893-0616-16	Skruv .....	Screw .....			
27	1			1134-3986-01	Frontplåt .....	Front plate .....			
28	4			9893-0616-16	Skruv .....	Screw .....			
29	1			1134-4069-01	Reglagespak .....	Control lever .....			
30	1			1134-2551-01	Reglageknopp .....	Knob .....			
31	1			1134-4073-01	Wirefästplåt .....	Cable holder .....			
32	1			9942-0612-16	Skruv .....	Screw .....			
33	1			1134-4006-01	Wire .....	Cable .....			
34	1			1134-2871-03	Relä .....	Relay .....			
35	1			1134-2871-01	Relä .....	Relay .....			
36	2			9997-0512-16	Skruv .....	Screw .....			
37	2			9739-0531-22	Mutter .....	Nut .....			
38	1			1134-3981-04	Kassett .....	Dashboard .....			
39	4			9946-0525-16	Skruv .....	Screw .....			
40	1			1134-4154-01	Täckbricka .....	Cover .....			
42	1			1134-4908-01	Tändningslås .....	Ignition switch .....			
46	1			9400-0296-01	Dragströmbrytare .....	Switch .....			
47	1			9699-0090-02	Planbricka .....	Flat washer .....			
48	4			9400-0282-01	Brytare m.diod .....	Switch w.diode .....			
49	1			9400-0280-02	Vippa- farthållare .....	Cover- cruise control .....			
50	1			9400-0280-03	Vippa- höjdinställning .....	Cover- height adjust .....			
51	1			9400-0280-01	Vippa- kraftuttag .....	Cover- PTO .....			
52	1			9400-0280-04	Vippa- bakräfsa .....	Cover- rear rake .....			
53	1			9400-0283-01	Brytare .....	Switch .....			
54	1			9400-0280-05	Vippa- 12V .....	Cover- 12V .....			
55	1			1134-4179-02	Timräknare .....	Hour meter .....			
56	1			9699-0025-02	Planbricka .....	Washer .....			
57	1			9400-0295-01	Strömbrytare .....	Switch .....			
59	1			9400-0280-06	Vippa- hydraullyft .....	Cover- hydraulic lift .....			
99	1			9400-0290-01	Verktyg f.vippa .....	Tool for cover .....		Tillbehör/Accessory	

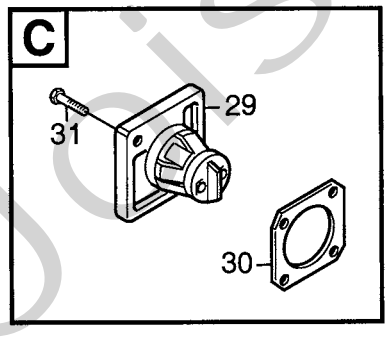
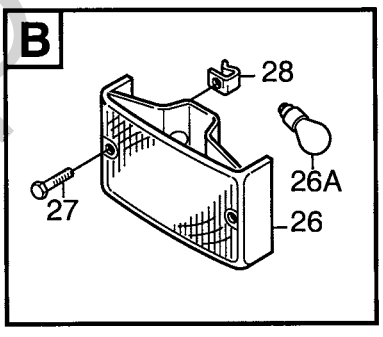
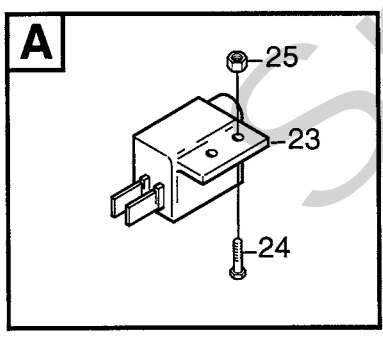
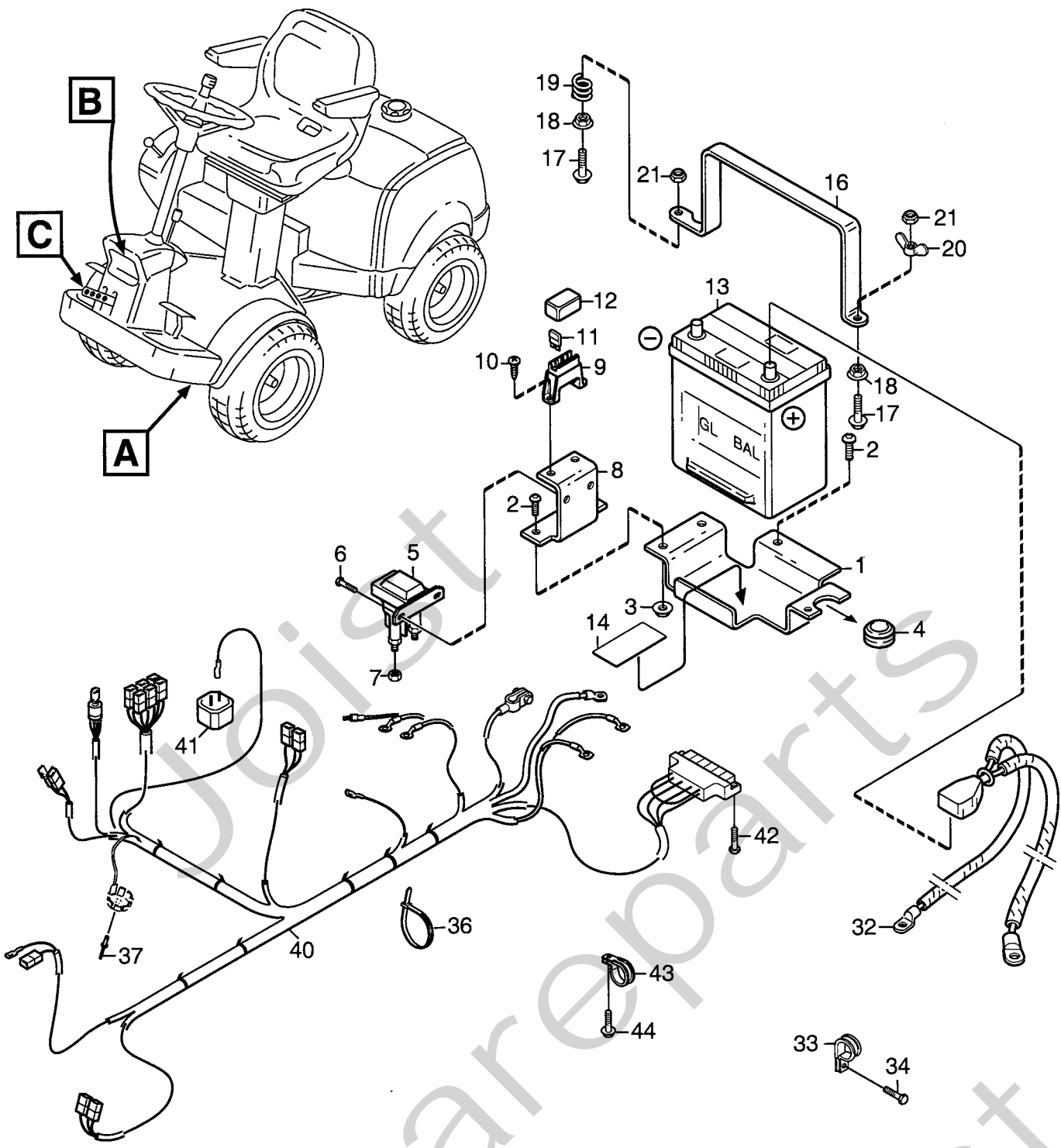


Utgåva Issue		Bildnr Picture No				PARK FOTREGLAGE	PARK FOOT CONTROLS	Sida Page	
2005-11		1036D						64	
Pos. Fig.	Antal/Quantity				Art nr Part No	Benämning	Description	Sats Kit	Anmärkning Notes
	6122 6143	6123	6216	6231					
1	1	1	1	1	1134-4247-01	Broms/kopplingspedal.....	Brake/clutch pedal.....		
2	1	1	1	1	1134-9024-01	• Lager .....	• Bearing.....		Sats 4 st/kit of 4
3			1	1	1134-3584-02	Broms/kopplingswire.....	Brake/clutch cable .....		
3	1	1			1134-3584-03	Broms/kopplingswire.....	Brake/clutch cable .....		
4A	1	1			1134-3906-01	Wirefäste .....	Cable holder .....		
4B			1		1134-4760-01	Fäste .....	Holder .....		
4C				1	1134-4927-01	Fäste .....	Holder .....		
5	3	3	3	3	9959-0816-16	Skruv .....	Screw .....		
6	3	3	3	5	9739-0831-22	Mutter.....	Nut .....		6143-56, 5 st
7	1	1	1	1	1134-3974-01	Fjäder.....	Spring .....		
8	1	1	1	1	1134-4008-03	Drivpedal .....	Drive pedal .....		
9	2	2	2	2	1134-2780-01	Lager .....	Bearing.....		
10	2	2	2	2	1134-2700-01	Fäste .....	Bracket.....		
11	2	2	2	2	9959-0820-16	Skruv .....	Screw .....		
12	2	2	2	2	9739-0831-22	Mutter.....	Nut .....		
13	1			1	9997-0870-16	Skruv .....	Screw .....		Endast 6143, 6231
16			1	1	1134-2766-04	Reglagewire .....	Speed control cable .....		
16	1	1			1134-2766-05	Reglagewire .....	Speed control cable .....		
17	2	2	2	2	9570-0001-00	Vinkellänk .....	Elbow link .....		
18	3	3	4	4	9739-0531-22	Mutter.....	Nut .....		
19	1	1	1	1	1134-0266-00	Fästbygel .....	Attaching clamp .....		
20	1	1	1	1	1134-0267-00	Underläggsbleck.....	Clamp plate .....		
21	2	2	2	2	9997-0520-16	Skruv .....	Screw .....		
22	2	2	2	2	9739-0531-22	Mutter.....	Nut .....		
23	1	1	1	1	1134-3395-01	Fäste .....	Attachment.....		
24	2	2	2	2	9959-0820-16	Skruv .....	Screw .....		L = 20 mm
25	2	2	2	2	9739-0831-22	Mutter.....	Nut .....		
26	1	1	1	1	1134-2021-01	Växelwirefäste .....	Clamp.....		
27	1	1			1134-4013-01	Distans .....	Spacer.....		
28	1	1			9959-0820-16	Skruv .....	Screw .....		
29			1	1	1134-4042-01	Reglagearm .....	Control lever .....		
30			1	1	9595-0258-00	Spännstift .....	Locating pin .....		
31			1	1	1134-3996-01	Fäste .....	Bracket.....		
32			1	1	1134-4187-01	Dämpare.....	Damper .....		
33			2	2	9997-0840-16	Skruv .....	Screw .....		
34			2	2	1134-1565-09	Distans .....	Spacer.....		
35			2	2	9739-0831-22	Mutter.....	Nut .....		
36		1	1	1	1134-4017-01	Arm- farthållare.....	Lever- cruise control .....		
37		1	1	1	1134-1565-01	Distans .....	Spacer.....		
38		1	1	1	9997-0850-16	Skruv .....	Screw .....		
39		1	1	1	9699-0056-02	Planbricka.....	Flat washer.....		
40		1	1	1	9739-0831-22	Mutter.....	Nut .....		
41		1	1	1	1134-5646-01	Plåt- farthållare .....	Plate- cruise control .....		
42		2	2	2	9959-0816-16	Skruv .....	Screw .....		
43		2	2	2	9739-0831-22	Mutter.....	Nut .....		
44		1	1	1	1134-4021-01	Stag- farthållare .....	Rod- cruise control .....		
45		2	2	2	9675-0012-02	Starlock .....	Locking washer.....		
46		1	1	1	1134-2859-01	Magnet kpl.....	Magneto assy.....		
47		1	1	1	1134-2858-01	• Fjäder.....	• Spring .....		
48	1	1	1	1	1134-5101-01	Bromsstång.....	Brake rod .....		
49	1	1	1	1	1134-3808-01	Knopp.....	Knob .....		
50	1	1	1	1	1131-1497-01	Fjäder.....	Spring .....		
51	1	1	1	1	1134-4002-01	Fäste .....	Brake rod attachment.....		
52	3	3	3	3	9838-9516-12	Skruv .....	Screw .....		
53			2	2	9747-0831-02	Mutter.....	Lock nut.....		
54			1	1	1134-3910-01	Wirefäste .....	Cable holder .....		
55			3	3	9959-0816-16	Skruv .....	Screw .....		L = 16 mm
56			3	3	9739-0831-22	Mutter.....	Nut .....		
57				1	1134-4944-01	Plåt .....	Stop plate.....		
58	1	1	1	1	9959-0830-16	Skruv .....	Screw .....		
59	1	1	1	1	9739-0831-22	Mutter.....	Nut .....		
60	1	1	1	1	9787-0831-32	Mutter.....	Nut .....		
61	1	1	1	1	9757-0821-02	Hattmutter .....	Cap nut .....		

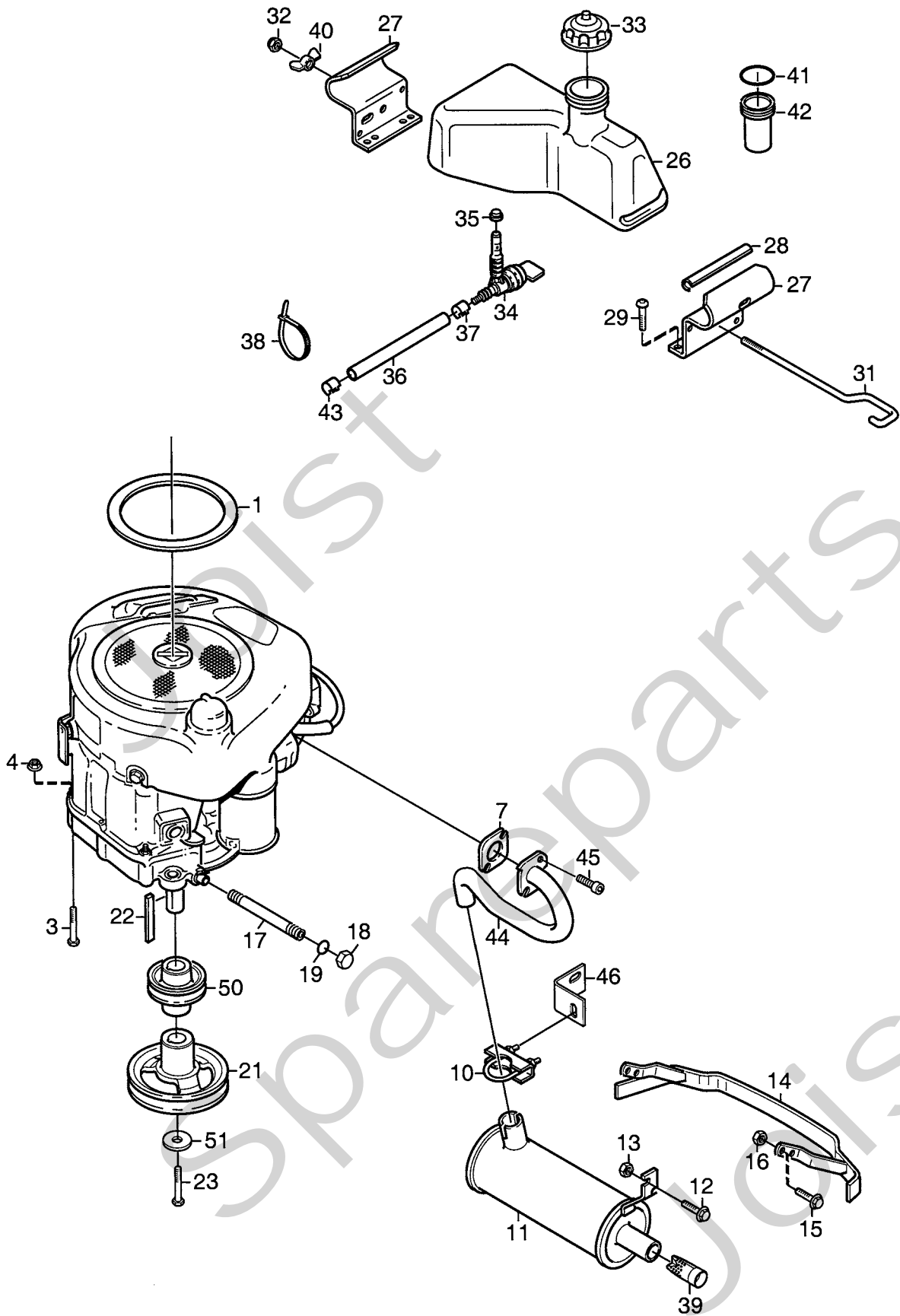


Utgåva Issue		Bildnr Picture No				PARK ELUTRUSTNING (Bensin motorer)		PARK EL. EQUIPMENT (Petrol engines)		Sida Page	
2005- 11		1378C								66	
Pos. Fig.	Antal/Quantity				Art nr Part No	Benämning	Description	Sats Kit	Anmärkning Notes		
	6122	6123	6143	6216							
1	1	1	1	1	1134-4806-01	Batterihylla.....	Battery shelf.....				
2	3	2	2	2	9893-0616-16	Skruv.....	Screw.....				
3	2				9699-0060-02	Planbricka.....	Flat washer.....				
5	1	1	1	1	1134-2962-01	Solenoid kpl.....	Solenoid assy.....		Inkl. pos 7		
6	2	2	2	2	9893-0616-16	Skruv.....	Screw.....				
7	2	2	2	2	9794-5131-02	• Mutter.....	• Nut.....				
8	1	1	1	1	1134-3491-01	Säkringshållare.....	Fuse holder.....				
9	2	2	2	2	9838-9516-12	Skruv.....	Screw.....				
10		1		1	1134-3496-01	Säkring.....	Fuse.....		10A		
10	1	1	1	1	1134-3496-06	Säkring.....	Fuse.....		20A		
10		1		1	1134-3496-07	Säkring.....	Fuse.....		30A		
11	1	1	1	1	1134-3631-01	Lock-säkringsdosa.....	Cover-fuse holder.....				
12	1	1	1	1	1134-4804-01	Batteri.....	Battery.....				
13	1	1	1	1	1134-5245-01	Batterirem.....	Battery strap.....				
14	1	1	1	1	1134-5227-01	Batteriunderlägg.....	Battery pad.....				
15		1		1	1134-3399-01	Brytare.....	Switch.....				
15	1		1		1134-3399-02	Brytare.....	Switch.....				
16	2	2	2	2	9997-0520-16	Skruv.....	Screw.....				
17	2	2	2	2	9747-0531-02	Mutter.....	Nut.....				
19	2	2	2	2	9849-7819-16	Skruv.....	Screw.....				
20	2	2	2	2	1134-4177-01	Clips.....	Clips.....				
21	1		1		1134-4194-01	Sitsbrytare.....	Seat switch.....				
23	1	1	1	1	1134-4970-01	Kabel.....	Cable.....				
24	1	1	1	1	9795-3531-02	Mutter.....	Nut.....				
25	1	1	1	1	1134-4172-01	Strålkastare kpl.....	Headlamp assy.....				
25A	1	1	1	1	9400-0293-01	• Glödlampa.....	• Bulb.....		12V - 21W		
26		1		1	1134-4056-01	Honkontakt.....	Female terminal.....				
27		1		1	1134-4052-01	Stödbricka.....	Support washer.....				
28		2		2	9840-7716-16	Skruv.....	Screw.....				
30	1	1	1	1	1134-0234-02	Batterikabel (+).....	Battery cable (+).....				
31	1	1	1	1	1134-2310-01	Batteriskydd.....	Guard cap.....				
32	15	15	15	15	9579-0003-00	Buntband.....	Cable holder.....				
33	1	2	1	2	9400-0231-00	Kabelskarv.....	Splicer.....				
35	2	2	2	2	9739-0631-22	Mutter.....	Nut.....				
40		1			1134-4839-01	Kablage.....	Harness.....				
40	1		1		1134-5085-01	Kablage.....	Harness.....				
40				1	1134-5086-01	Kablage.....	Harness.....				
41	1	1	1	1	9632-0522-00	Popnit.....	Pop rivet.....				
42			1		1134-5828-01	Kabel.....	Cable.....		L = 1400		

X



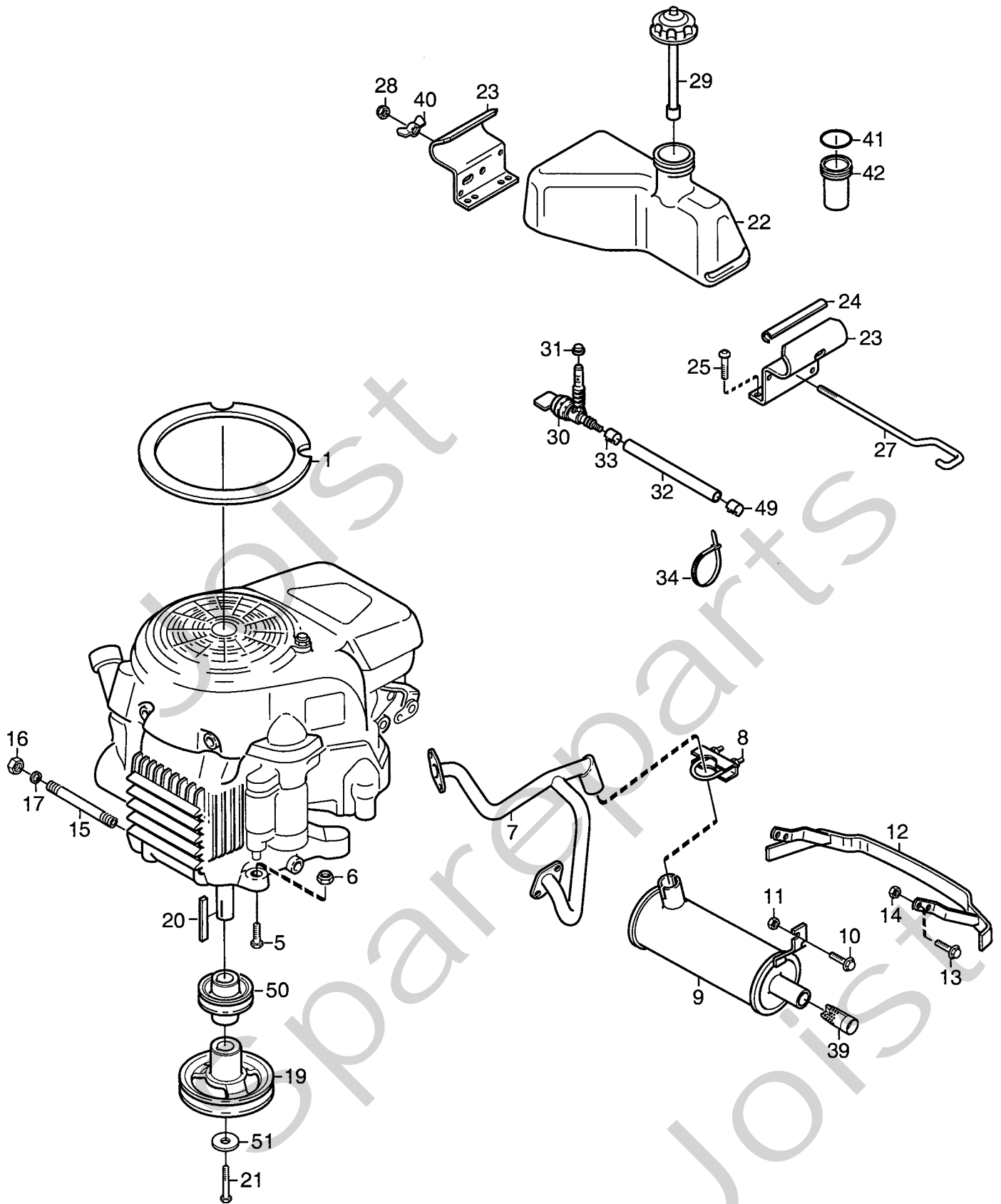
Utgåva Issue		Bildnr Picture No		PARK ELUTRUSTNING (Diesel motor)		PARK EL. EQUIPMENT (Diesel engine)		Sida Page	
2005- 11		1379A						68	
Pos. Fig.	Antal/Quantity			Art nr Part No	Benämning	Description	Sats Kit	Anmärkning Notes	
	6231								
1	1			1134-4958-01	Batterihylla.....	Battery shelf.....			
2	4			9958-0820-16	Skruv .....	Screw .....			
3	4			9739-0831-22	Mutter.....	Nut .....			
4	3			1134-3203-01	Kabelgenomföring .....	Grommet.....			
5	1			1134-2962-01	Solenoid kpl .....	Solenoid assy.....		Inkl. pos 7	
6	2			9849-8006-16	Skruv .....	Screw .....			
7	2			9794-5131-02	• Mutter.....	• Nut .....			
8	1			1134-4961-01	Reläplåt .....	Relay plate .....			
9	1			1134-3491-01	Säkringshållare.....	Fuse holder .....			
10	2			9849-8006-16	Skruv .....	Screw .....			
11	1			1134-3496-01	Säkring .....	Fuse .....		10A	
11	1			1134-3496-06	Säkring .....	Fuse .....		20A	
11	1			1134-3496-07	Säkring .....	Fuse .....		30A	
12	1			1134-3631-01	Lock-säkringsdosa.....	Cover-fuse holder.....			
13	1			1134-4940-02	Batteri.....	Battery .....			
14	4			1134-2333-03	Batteriunderlägg .....	Battery pad.....			
16	1			1134-4960-01	Batterihållare .....	Battery holder .....			
17	2			9959-0830-16	Skruv .....	Screw .....			
18	2			9739-0831-22	Mutter.....	Nut .....			
19	1			1111-3060-01	Fjäder.....	Spring .....			
20	1			1134-4481-01	Vingmutter.....	Wing nut .....			
21	2			9747-0831-02	Mutter.....	Lock nut .....			
23	1			1134-3399-01	Brytare.....	Switch .....			
24	2			9997-0520-16	Skruv .....	Screw .....			
25	2			9747-0531-02	Mutter.....	Nut .....			
26	1			1134-4172-01	Strålkastare kpl.....	Headlamp assy.....			
26A	1			9400-0293-01	• Glödlampa .....	• Bulb .....		12V - 21W	
27	2			9849-7819-16	Skruv .....	Screw .....			
28	2			1134-4177-01	Clips .....	Clips .....			
29	1			1134-4056-01	Honkontakt .....	Female terminal.....			
30	1			1134-4052-01	Stödbricka .....	Support washer.....			
31	2			9840-7716-16	Skruv .....	Screw .....			
32	1			1134-4941-01	Batterikabel.....	Battery cable .....			
33	2			1134-0994-02	Rörklammer.....	Tube clamp.....			
34	2			9815-8013-16	Skruv .....	Screw .....			
36	20			9579-0003-00	Buntband .....	Cable holder .....			
37	1			9632-0522-00	Popnit.....	Pop rivet .....			
40	1			1134-4907-01	Kablage.....	Harness.....			
41	1			9400-0304-01	• Summer.....	• Buzzer .....			
42	2			9997-0512-16	Skruv .....	Screw .....			
43	1			1134-0994-02	Rörklammer.....	Tube clamp.....			
44	1			9959-0612-16	Skruv .....	Screw .....			



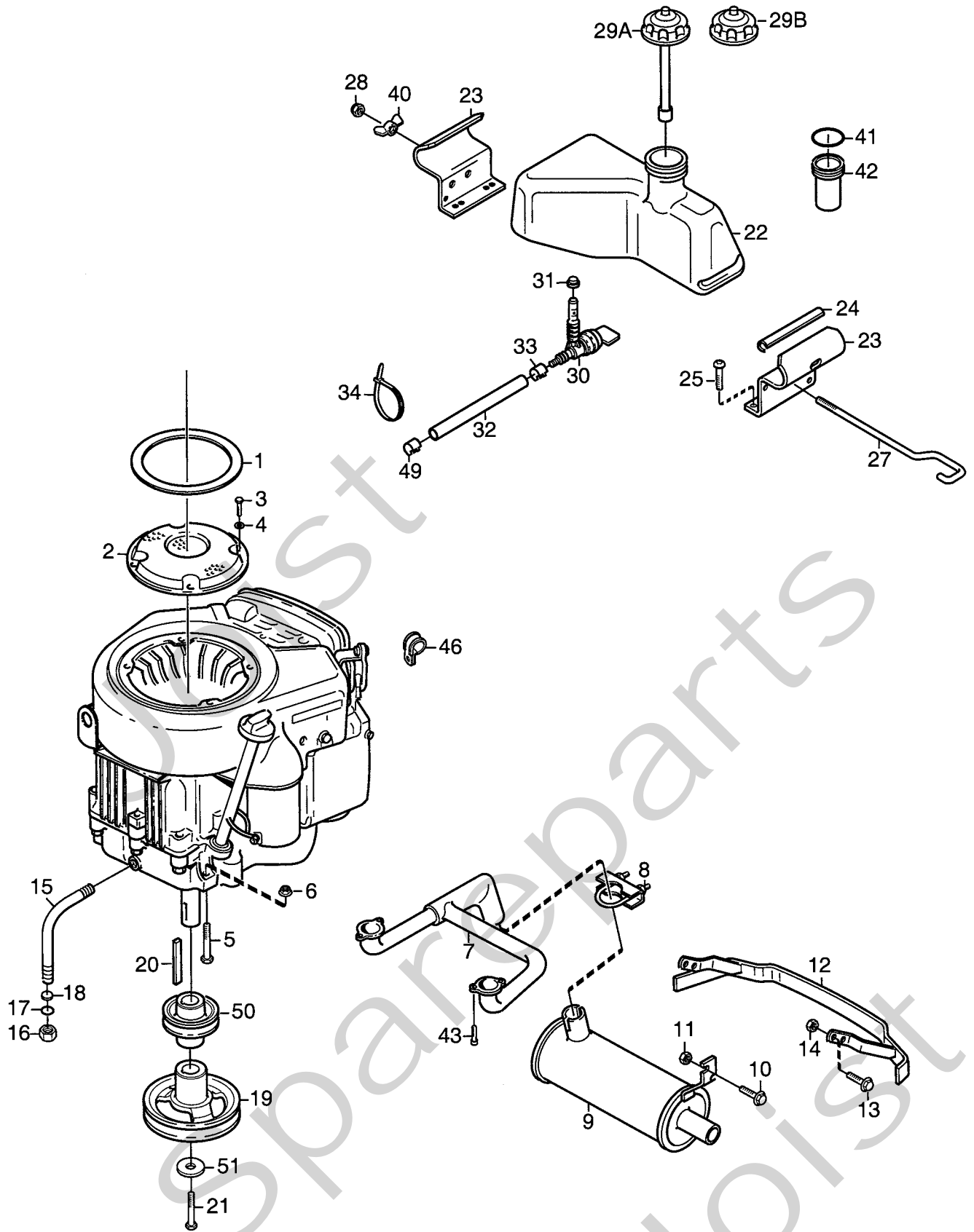


Utgåva Issue		Bildnr Picture No		PARK COMFORT MOTOR		PARK COMFORT ENGINE		Sida Page	
2005-11		1686A						70	
Pos. Fig.	Antal/Quantity			Art nr Part No	Benämning	Description	Sats Kit	Anmärkning Notes	
	6122								
1	1			1134-4222-02	Tätningssring .....	Seal ring .....		H = 15 mm L = 40 mm	
3	4			9997-0840-16	Skruv .....	Screw .....			
4	4			9739-0831-22	Mutter .....	Nut .....			
7	1			1134-0433-00	Ljuddämparpackning .....	Muffler gasket .....			
10	1			9578-0011-00	Ljuddämparklämma .....	Clamp .....			
11	1			1134-4952-01	Ljuddämpare .....	Muffler .....			
12	1			9959-0820-16	Skruv .....	Screw .....			
13	1			9739-0831-22	Mutter .....	Nut .....			
14	1			1134-4046-02	Beröringsskydd- svart .....	Muffler guard- black .....			
15	4			9959-0820-16	Skruv .....	Screw .....			
16	4			9739-0831-22	Mutter .....	Nut .....			
17	1			1134-4978-01	Oljeavtappn.rör kpl .....	Oil drain pipe assy .....			
18	1			1134-4976-01	• Plugg .....	• Plug .....			
19	1			1134-4977-01	• Kopparbricka .....	• Copper washer .....			
21	1			1134-4999-01	Motorremskiva .....	Engine pulley .....			
22	1			9600-0251-01	Kil .....	Key .....			
23	1			9987-5332-16	Skruv .....	Screw .....			
26	1			1134-4757-01	Bränsletank kpl .....	Fuel tank assy .....	Inkl. 33-37, 41-42		
27	2			1134-4273-03	Tankkonsol .....	Tank bracket .....			
28	2			1134-2941-01	Kantskyddslist .....	Protection strip .....			
29	4			9893-0616-16	Skruv .....	Screw .....			
31	1			1134-5269-01	Låsstång .....	Tank rod .....			
32	1			9747-0631-02	Låsmutter .....	Lock nut .....			
33	1			1134-4063-01	• Tanklock .....	• Fuel cap .....			
34	1			1134-3224-01	• Bensinkran .....	• Fuel shut-off valve .....			
35	1			1134-3225-01	• Gummibussning .....	• Grommet .....			
36	1			1134-2975-12	• Bensinslang .....	• Fuel hose .....	L = 175 mm		
37	1			9578-0023-02	• Slangklämma .....	• Hose clamp .....			
38	1			9579-0003-00	Buntband .....	Cable holder .....			
39	1			1134-4955-01	Ljuddämparinsats .....	Muffler insert .....			
40	1			1134-4481-02	Vingmutter .....	Wing nut .....			
41	1			9404-0025-01	• O-ring .....	• O-ring .....			
42	1			1134-4411-01	• Insatsrör .....	• Fuel tank insert .....			
43	1			9578-0023-02	Slangklämma .....	Hose clamp .....			
44	1			1134-4998-01	Avgasrör .....	Exhaust pipe .....			
45	2			1134-4930-01	Skruv .....	Screw .....			
46	1			1134-5213-01	Fäste .....	Attachment .....			
50	1			1134-5000-01	Motorremskiva .....	Engine pulley .....			
51	1			1134-5017-01	Bricka .....	Washer .....			

X

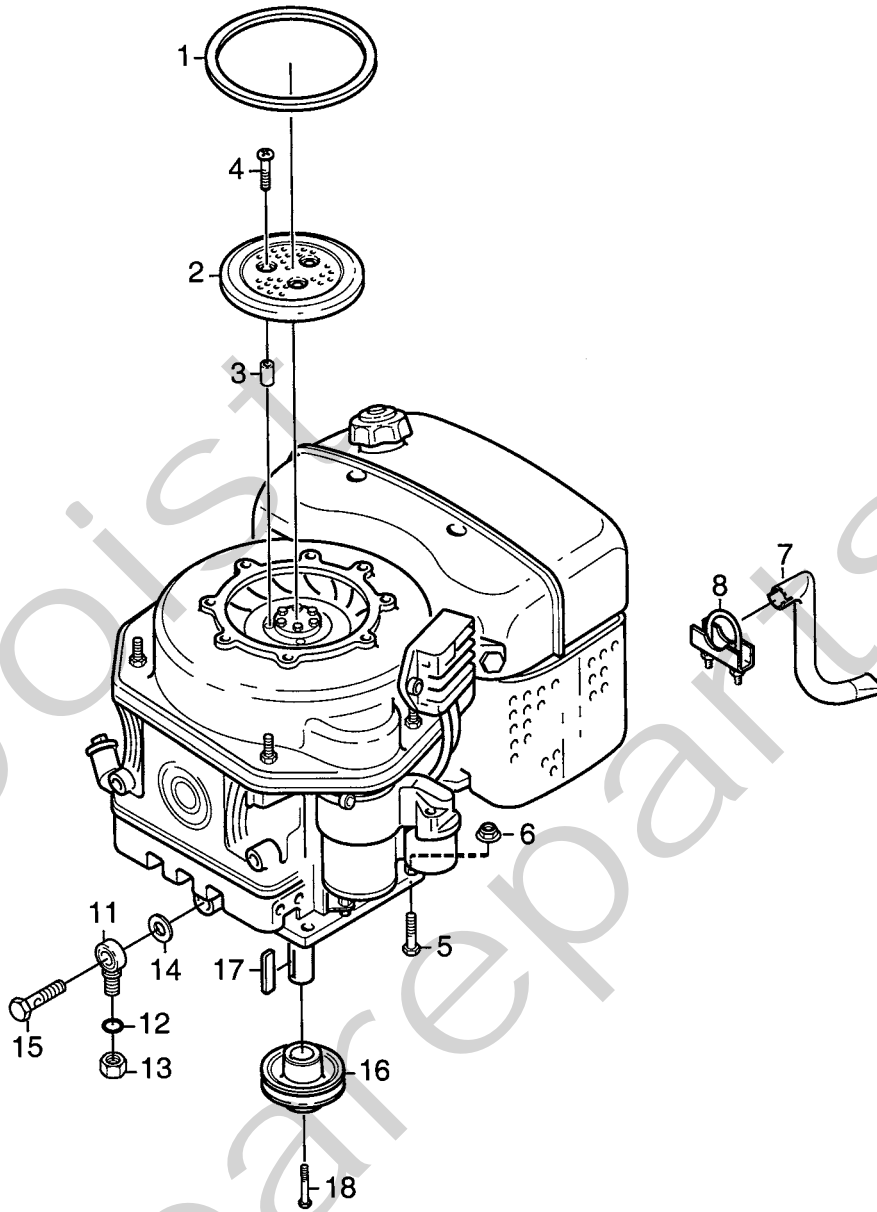


Utgåva Issue		Bildnr Picture No		PARK ROYAL MOTOR		PARK ROYAL ENGINE		Sida Page	
2005-11		1345						72	
Pos. Fig.	Antal/Quantity			Art nr Part No	Benämning	Description	Sats Kit	Anmärkning Notes	
	6123								
1	1			1134-4557-02	Tätningring .....	Seal ring.....		H = 20 mm L = 40 mm L = 45 mm	
5	3			9997-0840-16	Skruv .....	Screw .....			
5	1			9997-0845-12	Skruv .....	Screw .....			
6	4			9739-0831-22	Mutter.....	Nut .....			
7	1			1134-4874-01	Grenrör.....	Exhaust pipe .....			
8	1			9578-0011-00	Ljuddämparklämma.....	Clamp .....			
9	1			1134-4952-01	Ljuddämpare .....	Muffler .....			
10	1			9959-0820-16	Skruv .....	Screw .....			
11	1			9739-0831-22	Mutter.....	Nut .....			
12	1			1134-4046-02	Beröringsskydd- svart.....	Muffler guard- black.....			
13	4			9959-0820-16	Skruv .....	Screw .....			
14	4			9739-0831-22	Mutter.....	Nut .....			
15	1			1134-4978-01	Oljeavtapn.rör kpl .....	Oil drain pipe assy.....			
16	1			1134-4976-01	• Plugg .....	• Plug.....			
17	1			1134-4977-01	• Kopparbricka .....	• Copper washer .....			
19	1			1134-4999-01	Motorremskiva .....	Engine pulley.....			
20	1			9600-0251-01	Kil .....	Key .....			
21	1			9987-5332-16	Skruv .....	Screw .....			
22	1			1134-4757-02	Bränsletank kpl.....	Fuel tank assy .....		Inkl. 29-33, 41-42	
23	2			1134-4273-03	Tankkonsol .....	Tank bracket.....			
24	2			1134-2941-01	Kantskyddslist .....	Protection strip .....			
25	4			9893-0616-16	Skruv .....	Screw .....			
27	1			1134-5269-01	Låsstång .....	Tank rod .....			
28	1			9747-0631-02	Låsmutter .....	Lock nut .....			
29	1			1134-4064-01	• Tanklock m.mätare .....	• Fuel cap w.gauge.....			
30	1			1134-3224-01	• Bensinkran.....	• Fuel shut-off valve .....			
31	1			1134-3225-01	• Gummibussning .....	• Grommet.....			
32	1			1134-2975-04	• Bensinslang .....	• Fuel line.....		L = 710 mm	
33	1			9578-0023-02	• Slangklämma .....	• Hose clamp .....			
34	1			9579-0003-00	Buntband .....	Cable holder .....			
39	1			1134-4955-01	Ljuddämparinsats .....	Muffler insert .....			
40	1			1134-4481-02	Vingmutter.....	Wing nut .....			
41	1			9404-0025-01	• O-ring.....	• O-ring .....			
42	1			1134-4411-01	• Insatsrör .....	• Fuel tank insert.....			
49	1			9578-0023-02	Slangklämma .....	Hose clamp .....			
50	1			1134-5000-01	Motorremskiva .....	Engine pulley.....			
51	1			1134-5017-01	Bricka .....	Washer.....			

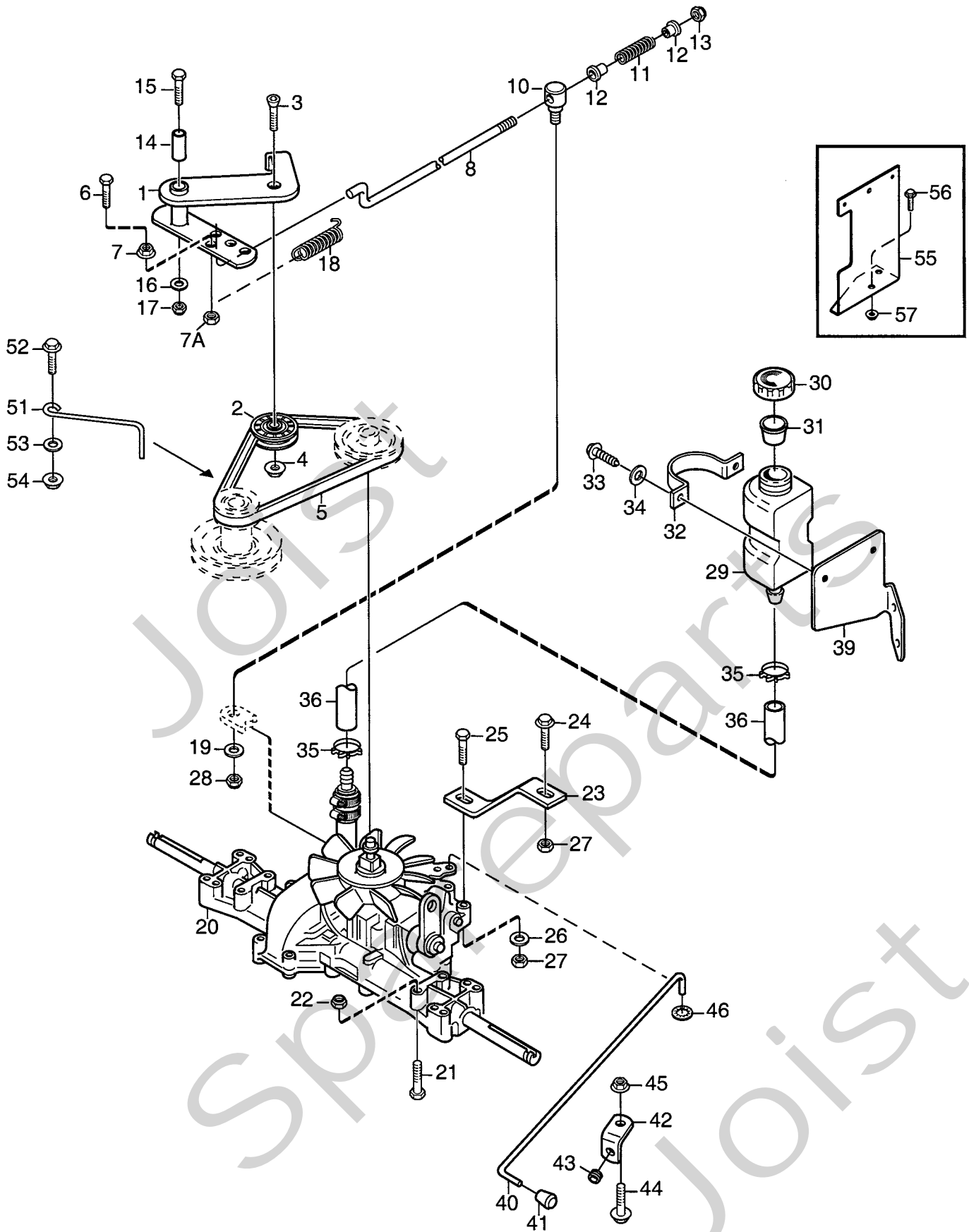


Utgåva Issue		Bildnr Picture No		PARK PRO 16- JUBILEE MOTOR		PARK PRO 16- JUBILEE ENGINE		Sida Page	
2005- 11		1020D						74	
Pos. Fig.	Antal/Quantity			Art nr Part No	Benämning	Description	Sats Kit	Anmärkning Notes	
	6216	6143							
1	1	1		1134-4222-02	Tätningring .....	Seal ring.....		H = 15 mm	
2	1	1		1134-2878-01	Fläktskydd .....	Fan cover .....			
3	4	4		9997-0512-16	Skruv .....	Screw .....			
4	4	4		9699-0099-02	Bricka .....	Washer.....			
5	4	4		9997-0840-16	Skruv .....	Screw .....			
6	4	4		9739-0831-22	Mutter.....	Nut.....			
7	1	1		1134-4031-01	Avgasrör.....	Exhaust pipe .....			
8	1	1		9578-0011-00	Ljuddämparklämma.....	Clamp.....			
9	1	1		1134-4952-01	Ljuddämpare .....	Muffler .....			
10	1	1		9959-0820-16	Skruv .....	Screw .....			
11	1	1		9739-0831-22	Mutter.....	Nut.....			
12	1		1	1134-4046-01	Beröringsskydd- grå .....	Muffler guard- grey .....		L = 2.5" (64 mm)	
12			1	1134-4046-02	Beröringsskydd- svart.....	Muffler guard- black .....			
13	4	4		9959-0820-16	Skruv .....	Screw .....			
14	4	4		9739-0831-22	Mutter.....	Nut.....			
15	1	1		1134-4736-01	Oljeavtappn.rör kpl .....	Oil drain pipe assy.....			
16	1	1		1134-0995-01	• Plugg.....	• Plug.....			
17	1	1		9404-0020-00	• O- ring.....	• O- ring .....			
18	1	1		1134-0997-01	• Fiberpackning .....	• Fibre gasket.....			
19	1	1		1134-4999-01	Motorremskiva .....	Engine pulley.....			
20	1	1		9600-0251-01	Kil .....	Key.....			
21	1	1		9987-5332-16	Skruv .....	Screw .....			
22	1		1	1134-4757-04	Bränsletank kpl.....	Fuel tank assy .....	Inkl. 29A-33, 41-42 Inkl. 29B-33, 41-42		
22			1	1134-4757-07	Bränsletank kpl.....	Fuel tank assy .....			
23	2	2		1134-4273-03	Tankkonsol .....	Tank bracket .....			
24	2	2		1134-2941-01	Kantskyddslist .....	Protection strip .....			
25	4	4		9893-0616-16	Skruv .....	Screw .....			
27	1	1		1134-5269-01	Låsstång .....	Tank rod .....			
28	1	1		9747-0631-02	Låsmutter .....	Lock nut .....			
29A	1			1134-4064-01	• Tanklock m.mätare .....	• Fuel cap w.gauge.....			
29B		1		1134-4063-01	• Tanklock .....	• Fuel cap.....			
30	1	1		1134-3224-01	• Bensinkran.....	• Fuel shut-off valve .....			
31	1	1		1134-3225-01	• Gummibussning .....	• Grommet.....			
32	1	1		1134-2975-01	• Bensinslang .....	• Fuel hose.....	L = 520 mm		
33	1	1		9578-0023-02	• Slangklämma .....	• Hose clamp .....			
34	1	1		9579-0003-00	Buntband .....	Cable holder .....			
40	1	1		1134-4481-02	Vingmutter.....	Wing nut .....			
41	1	1		9404-0025-01	• O- ring.....	• O- ring .....			
42	1	1		1134-4411-01	• Insatsrör.....	• Fuel tank insert.....			
43	4	4		9939-0820-16	Skruv .....	Screw .....			
46	1	1		1134-0994-02	Rörklammer.....	Tube clamp.....			
49	1	1		9578-0023-02	Slangklämma.....	Hose clamp .....			
50	1	1		1134-5001-01	Motorremskiva .....	Engine pulley.....			
51	1	1		1134-5017-01	Bricka .....	Washer.....			

X

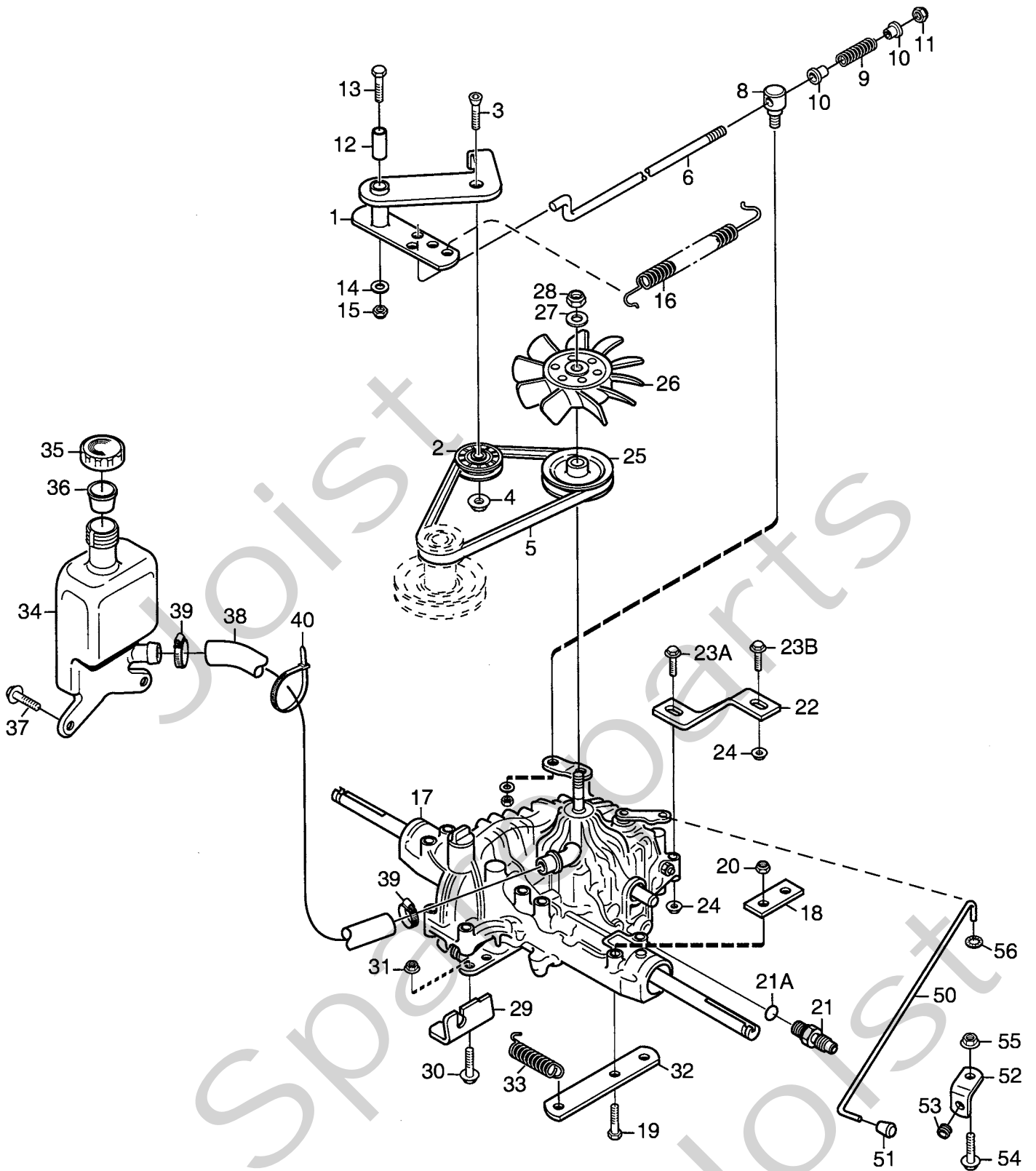


Utgåva Issue		Bildnr Picture No		PARK DIESEL MOTOR		PARK DIESEL ENGINE		Sida Page	
2005- 11		1380A						76	
Pos. Fig.	Antal/Quantity			Art nr Part No	Benämning	Description	Sats Kit	Anmärkning Notes	
	6231								
1	1			1134-4222-04	Tätningring .....	Seal ring .....			
2	1			1134-4962-01	Fläktskydd .....	Fan cover .....			
3	3			1134-4963-01	Distans .....	Spacer .....			
4	3			9948-0630-16	Skruv .....	Screw .....			
5	4			9997-1050-16	Skruv .....	Screw .....			
6	4			9747-1031-02	Låsmutter .....	Lock nut .....			
7	1			1134-5117-01	Avgasrör .....	Exhaust pipe .....			
8	1			9578-0027-01	Rörklammer .....	Tube clamp .....			
11	1			1134-4934-01	Banjo kpl .....	Banjo assy .....			
12	1			1134-4977-01	• Kopparbricka .....	• Copper washer .....			
13	1			1134-0995-01	• Plugg .....	• Plug .....			
14	1			1134-4968-01	Kopparbricka .....	Copper washer .....			
15	1			1134-4932-01	Banjobult .....	Banjo bolt .....			
16	1			1134-3664-02	Motorremskiva .....	Engine pulley .....			
17	1			9600-0251-00	Plattkil .....	Key .....			
18	1			9987-5357-12	Skruv .....	Screw .....			

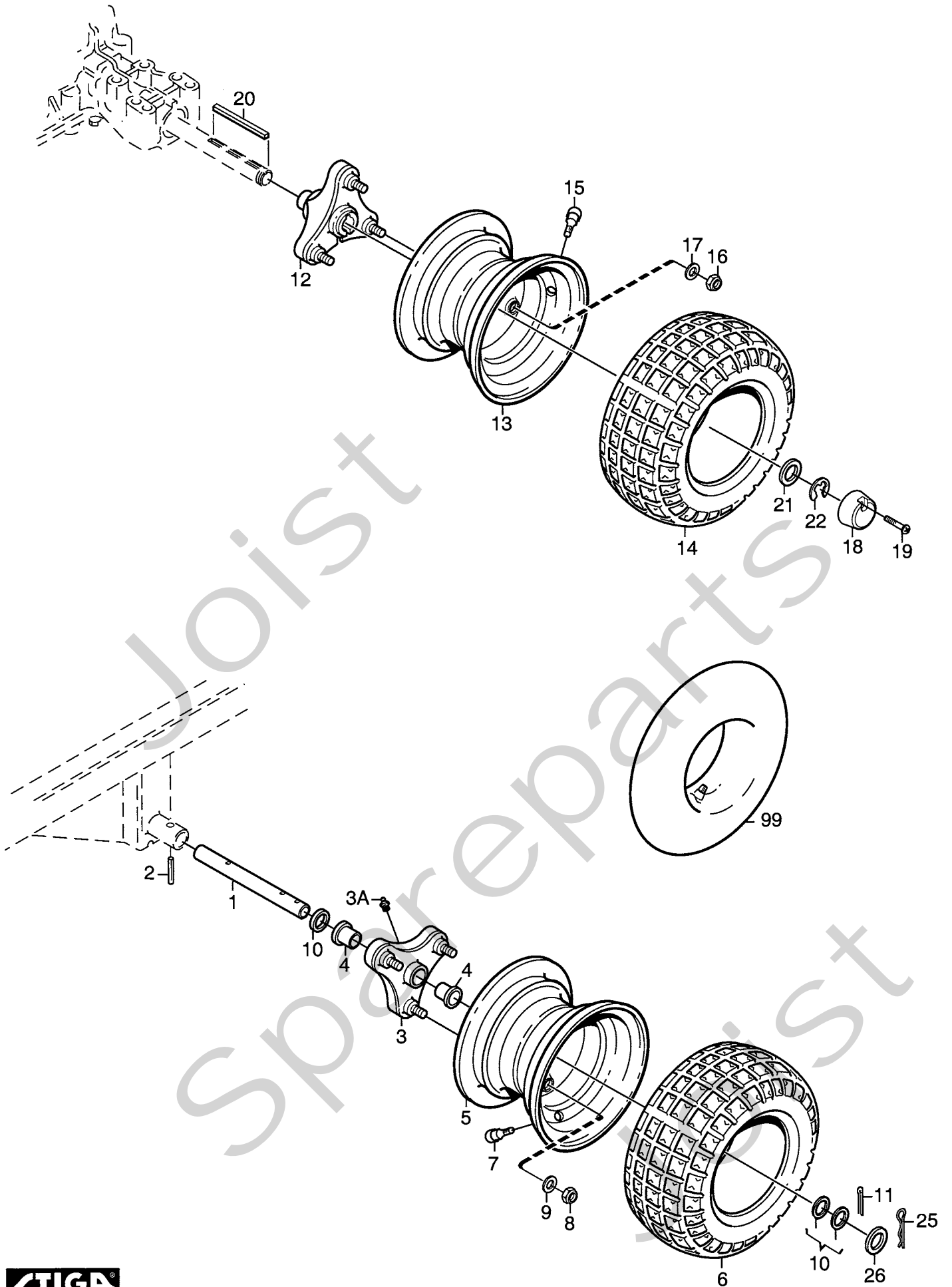




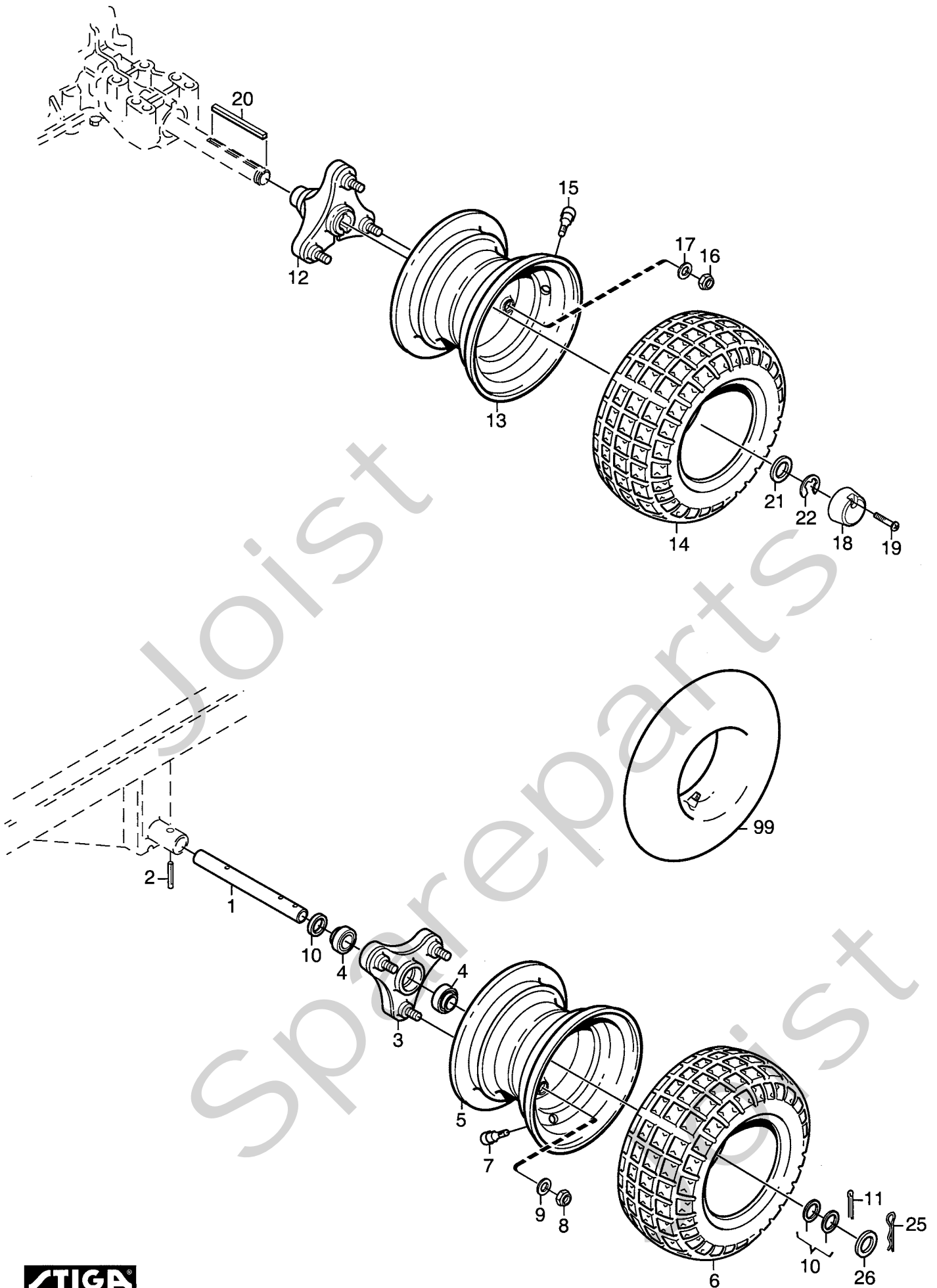
Utgåva Issue		Bildnr Picture No			PARK COMFORT- ROYAL- JUBILEE TRANSMISSION		PARK COMFORT- ROYAL- JUBILEE TRANSMISSION		Sida Page	
2005- 11		1033F							78	
Pos. Fig.	Antal/Quantity			Art nr Part No	Benämning	Description	Sats Kit	Anmärkning Notes		
	6122	6123	6143							
1	1	1	1	1134-4000-02	Spännarm .....	Tension arm .....				
2	1	1	1	1134-3459-01	Spännrulle .....	Tension roller .....				
3	1	1	1	9924-1035-16	Skruv .....	Screw .....				
4	1	1	1	9799-1031-02	Mutter .....	Nut .....				
5	1	1	1	1134-9058-01	Drivrem .....	V- belt .....		= 9585-0091-01		
6	1	1	1	9997-0625-16	Skruv .....	Screw .....				
7	1	1	1	9739-0631-22	Mutter .....	Nut .....				
7A	1	1	1	9747-0631-02	Låsmutter .....	Lock nut .....				
8	1	1	1	1134-3377-02	Reglagestång .....	Control rod .....				
10	1	1	1	1134-4171-01	Ledtapp .....	Pivot pin .....				
11	1	1	1	1134-4183-01	Tryckfjäder .....	Compression spring .....				
12	2	2	2	1134-3456-01	Bussning .....	Bushing .....				
13	1	1	1	9747-0631-02	Låsmutter .....	Lock nut .....				
14	1	1	1	1134-1565-08	Distans .....	Spacer .....				
15	1	1	1	9997-0870-16	Skruv .....	Screw .....				
16	1	1	1	9699-0056-02	Planbricka .....	Flat washer .....				
17	1	1	1	9747-0831-02	Mutter .....	Lock nut .....				
18	1	1	1	1134-1949-01	Fjäder .....	Spring .....				
19	1	1	1	9699-0060-02	Planbricka .....	Flat washer .....				
20	1	1	1	1134-4848-01	Transaxel .....	Transaxle .....		Kanzaki K46G		
21	4	4	4	9997-0865-12	Skruv .....	Screw .....				
22	4	4	4	9747-0831-02	Mutter .....	Lock nut .....				
23	1	1	1	1134-3913-01	Reaktionsstag .....	Strut .....				
24	1	1	1	9959-0825-16	Skruv .....	Screw .....				
25	1	1	1	9997-0845-12	Skruv .....	Screw .....				
26	1	1	1	9699-0028-02	Planbricka .....	Flat washer .....				
27	2	2	2	9747-0831-02	Mutter .....	Lock nut .....				
28	1	1	1	9747-0631-02	Låsmutter .....	Lock nut .....				
29	1	1	1	1134-2765-02	Oljetank .....	Oil tank .....				
30	1	1	1	1134-2777-02	Tanklock .....	Filler cap .....				
31	1	1	1	1134-3734-01	Luftningsplugg .....	Vent plug .....				
32	1	1	1	1134-2778-01	Fästband .....	Retainer strap .....				
33	2	2		9840-8009-16	Skruv .....	Screw .....				
33			1	9842-0001-16	Skruv .....	Screw .....				
34			1	9699-0099-02	Bricka .....	Washer .....				
35	2	2	2	9578-0023-04	Slangklämma .....	Hose clamp .....		15 x 8		
36			1	1134-2779-04	Slang .....	Tube .....		L = 360 mm		
36		1		1134-2779-05	Slang .....	Tube .....		L = 450 mm		
36	1			1134-2779-06	Slang .....	Tube .....		L = 230 mm		
39		1		1134-4979-01	Konsol .....	Bracket .....				
40	1	1	1	1134-4015-01	Dragstång .....	Pull rod .....				
41	1	1	1	1134-4014-01	Plastknopp .....	Plastic button .....				
42	1	1	1	1134-4713-01	Vinkel .....	Bracket .....				
43	1	1	1	1134-2790-01	Gummihylsa .....	Rubber grommet .....				
44	1	1	1	9959-0816-16	Skruv .....	Screw .....				
45	1	1	1	9739-0831-22	Mutter .....	Nut .....				
46	1	1	1	9675-0009-02	Starlock .....	Starlock .....				
51	1	1	1	1134-3289-02	Remstyrning .....	Belt guide .....				
52	1	1	1	9959-0820-16	Skruv .....	Screw .....				
53	1	1	1	9699-0056-02	Planbricka .....	Flat washer .....				
54	1	1	1	9739-0831-22	Mutter .....	Nut .....				
55	1			1134-5093-01	Fäste .....	Holder .....				
56	2			9959-0816-16	Skruv .....	Screw .....				
57	2			9739-0831-22	Mutter .....	Nut .....				



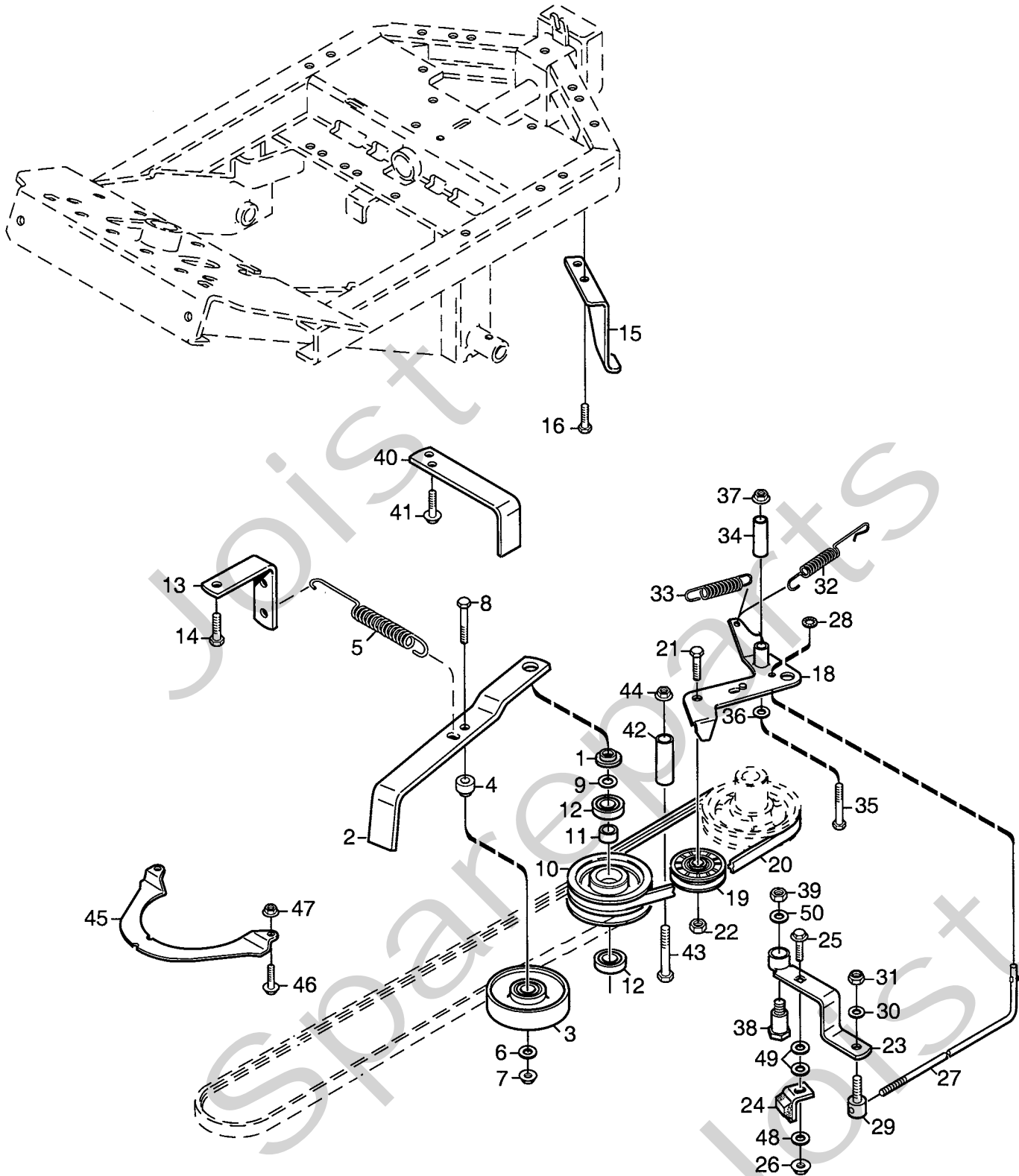
Utgåva Issue		Bildnr Picture No		PARK PRO 16- DIESEL TRANSMISSION		PARK PRO 16- DIESEL TRANSMISSION		Sida Page	
2005- 11		1034E						80	
Pos. Fig.	Antal/Quantity			Art nr Part No	Benämning	Description	Sats Kit	Anmärkning Notes	
	6216	6231							
1	1	1		1134-4000-01	Spännarm.....	Tension arm.....			
2	1	1		1134-3459-01	Spännrulle.....	Tension roller.....			
3	1	1		9924-1035-16	Skruv.....	Screw.....			
4	1	1		9799-1031-02	Mutter.....	Nut.....			
5	1	1		1134-9029-01	Drivrem.....	V- belt.....		= 9585-0055-00	
6	1	1		1134-3377-03	Reglagestång.....	Control rod.....			
8	1	1		1134-4171-01	Ledtapp.....	Pivot pin.....			
9	1	1		1134-4183-01	Tryckfjäder.....	Compression spring.....			
10	2	2		1134-3456-01	Bussning.....	Bushing.....			
11	1	1		9747-0631-02	Låsmutter.....	Lock nut.....			
12	1	1		1134-1565-08	Distans.....	Spacer.....			
13	1	1		9997-0875-12	Skruv.....	Screw.....			
14	1	1		9699-0056-02	Planbricka.....	Flat washer.....			
15	1	1		9747-0831-02	Mutter.....	Lock nut.....			
16	1	1		1134-3211-02	Fjäder.....	Spring.....			
17	1			1134-4849-01	Transaxel.....	Transaxle.....		Kanzaki K62E	
17		1		1134-4850-01	Transaxel.....	Transaxle.....		Kanzaki K66B	
18	2	2		1134-3376-01	Mellanlägg.....	Spacer plate.....			
19	4	4		9997-0875-12	Skruv.....	Screw.....		L = 75 mm	
20	4	4		9747-0831-02	Mutter.....	Lock nut.....			
21		2		1134-4282-01	Hydraulnippel.....	Hydraulic nipple.....			
21A		1		9404-0028-01	• O- ring.....	• O- ring.....			
22	1	1		1134-3913-01	Reaktionsstag.....	Strut.....			
23A	1	1		9959-0825-16	Skruv.....	Screw.....		L = 25 mm	
23B	1	1		9959-0820-16	Skruv.....	Screw.....		L = 20 mm	
24	2	2		9747-0831-02	Mutter.....	Lock nut.....			
25	1	1		1134-4191-01	Remskiva.....	Belt pulley.....			
26	1	1		1134-4190-01	Fläkt.....	Fan.....			
27	1	1		9699-0030-02	Planbricka.....	Flat washer.....			
28	1	1		9747-1031-02	Låsmutter.....	Lock nut.....			
29	1	1		1134-3914-01	Wirefäste.....	Cable holder.....			
30	1	1		9959-0820-16	Skruv.....	Screw.....			
31	1	1		9739-0831-22	Mutter.....	Nut.....			
32	1	1		1134-4049-01	Stag.....	Strut.....			
33	1	1		1134-4232-01	Dragfjäder.....	Spring.....			
34	1	1		1134-4758-01	Tank.....	Oil tank.....			
35	1	1		1134-2777-02	Tanklock.....	Filler cap.....			
36	1	1		1134-3734-01	Luftningsplugg.....	Vent plug.....			
37	2	2		9945-0816-16	Skruv.....	Screw.....			
38	1	1		1134-4011-02	Slang.....	Oil hose.....		L = 380 mm	
39	2	2		9578-0025-01	Slangklämma.....	Hose clamp.....			
40	1	1		9579-0003-00	Buntband.....	Cable holder.....			
50	1	1		1134-4015-01	Dragstång.....	Pull rod.....			
51	1	1		1134-4014-01	Plastknopp.....	Plastic button.....			
52	1	1		1134-4713-01	Vinkel.....	Bracket.....			
53	1	1		1134-2790-01	Gummihylsa.....	Rubber grommet.....			
54	1	1		9959-0816-16	Skruv.....	Screw.....			
55	1	1		9739-0831-22	Mutter.....	Nut.....			
56	1	1		9675-0009-02	Starlock.....	Starlock.....			



Utgåva Issue		Bildnr Picture No		PARK COMFORT- ROYAL- JUBILEE HJUL 16"		PARK COMFORT- ROYAL- JUBILEE WHEELS 16"		Sida Page	
2005- 11		1346A						82	
Pos. Fig.	Antal/Quantity			Art nr Part No	Benämning	Description	Sats Kit	Anmärkning Notes	
	6122	6123	6143						
1	2			1134- 0075- 01	Framaxeltapp .....	Front axle .....			
2	2			9595- 0258- 00	Spännstift .....	Locating pin .....			
3	2			1134- 4844- 05	Hjulnav kpl.....	Wheel hub assy.....			
3A	1			9501- 0500- 00	• Smörjnippel.....	• Grease joint.....			
4	1			1134- 9026- 01	• Lagerbussning.....	• Bearing bush kit.....		Sats 4 st/kit of 4	
5	2			1134- 4558- 01	Fälg .....	Rim .....			
6	2			9545- 0116- 00	Däck .....	Tyre .....		16 x 7.50 - 8	
7	2			9545- 0500- 00	Ventil .....	Valve .....			
8	6			9747- 1031- 02	Låsmutter .....	Lock nut .....			
9	6			9699- 0035- 02	Planbricka.....	Flat washer.....			
10	8			1134- 0341- 01	Bricka .....	Washer.....			
11	2			9599- 0080- 02	Saxsprint .....	Cotter pin .....			
12	2			1134- 4844- 02	Hjulnav .....	Wheel hub.....			
13	2			1134- 4558- 01	Fälg .....	Rim .....			
14	2			9545- 0116- 00	Däck .....	Tyre .....		16 x 7.50 - 8	
15	2			9545- 0500- 00	Ventil .....	Valve .....			
16	6			9747- 1031- 02	Låsmutter .....	Lock nut.....			
17	6			9699- 0035- 02	Planbricka.....	Flat washer.....			
18	2			1134- 4796- 01	Navkapsel .....	Hub cap.....			
19	2			9947- 0540- 19	Skruv .....	Screw.....			
20	2			1134- 2471- 01	Kil .....	Key.....			
21	2			9699- 0042- 02	Planbricka.....	Flat washer.....			
22	2			9653- 0001- 04	Spärryttare .....	Lock ring.....			
25	2			9598- 0003- 02	Låsnål.....	Spring pin.....			
26	2			9699- 0042- 02	Planbricka.....	Flat washer.....			
99				9545- 0203- 00	Innerslang .....	Inner tube.....		Reservdel/spare part	



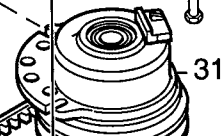
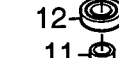
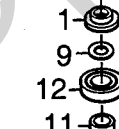
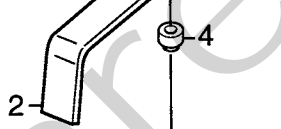
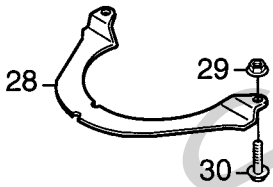
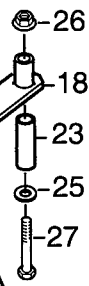
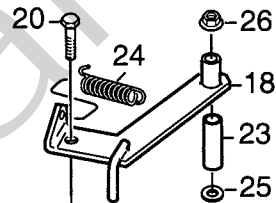
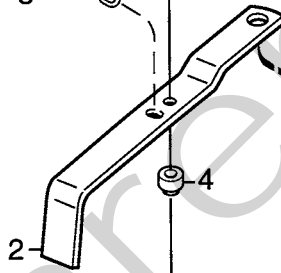
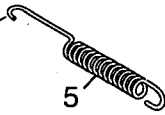
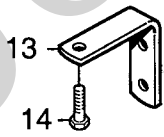
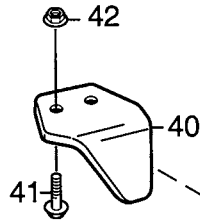
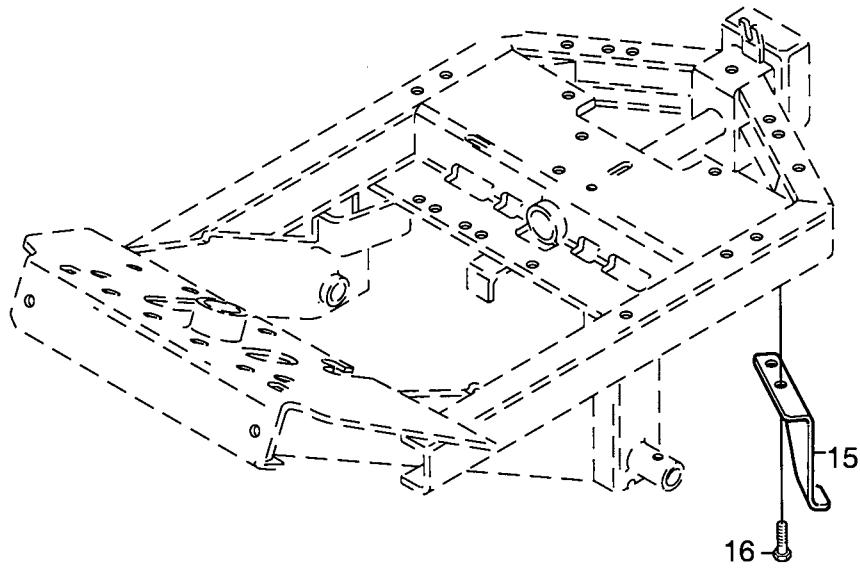
Utgåva Issue		Bildnr Picture No		PARK PRO 16- DIESEL HJUL 17"		PARK PRO 16- DIESEL WHEELS 17"		Sida Page	
2005- 11		1347						84	
Pos. Fig.	Antal/Quantity			Art nr Part No	Benämning	Description	Sats Kit	Anmärkning Notes	
	6216 6231								
1	2			1134-0075-01	Framaxeltapp .....	Front axle .....			
2	2			9595-0258-00	Spännstift .....	Locating pin .....			
3	2			1134-4844-01	Hjulnav kpl.....	Wheel hub assy.....			
4	2			9549-0054-01	• Kullager .....	• Ball bearing .....			
5	2			1134-4558-01	Fälg .....	Rim .....			
6	2			9545-0124-01	Däck .....	Tyre .....	17 x 8.00 - 8		
7	2			9545-0500-00	Ventil .....	Valve .....			
8	6			9747-1031-02	Låsmutter .....	Lock nut .....			
9	6			9699-0035-02	Planbricka.....	Flat washer .....			
10	8			1134-0341-01	Bricka .....	Washer.....			
11	2			9599-0080-02	Saxsprint .....	Cotter pin .....			
12	2			1134-4844-03	Hjulnav .....	Wheel hub .....			
13	2			1134-4558-01	Fälg .....	Rim .....			
14	2			9545-0124-01	Däck .....	Tyre .....	17 x 8.00 - 8		
15	2			9545-0500-00	Ventil .....	Valve .....			
16	6			9747-1031-02	Låsmutter .....	Lock nut .....			
17	6			9699-0035-02	Planbricka.....	Flat washer .....			
18	2			1134-4796-01	Navkapsel .....	Hub cap .....			
19	2			9947-0540-19	Skruv .....	Screw .....			
20	2			1134-3383-02	Kil .....	Key .....	L = 51 mm		
21	2			9699-0116-02	Bricka .....	Washer.....			
22	2			9653-0002-04	Spärryttare .....	Lock ring .....			
25	2			9598-0003-02	Låsnål.....	Spring pin .....			
26	2			9699-0042-02	Planbricka.....	Flat washer .....			
99				9545-0203-00	Innerslang .....	Inner tube .....		Reservdel/spare part	





Utgåva Issue		Bildnr Picture No		PARK COMFORT-ROYAL- PRO 16-JUBILEE KRAFTUTTAG		PARK COMFORT-ROYAL- PRO 16-JUBILEE POWER TAKE-OFF		Sida Page	
2005-11		1030F						86	
Pos. Fig.	Antal/Quantity				Art nr Part No	Benämning	Description	Sats Kit	Anmärkning Notes
	6122	6123	6143	6216					
1	1				1134-5548-01	Distans .....	Spacer .....		
2	1				1134-5109-01	Spännhjularm .....	Tension wheel arm .....		
3	1				1134-1770-01	Spännrulle .....	Tension roller .....		
4	1				1134-1888-04	Distans .....	Spacer .....		
5	1				1134-5111-01	Fjäder .....	Spring .....		
6	1				9699-0056-02	Planbricka .....	Flat washer .....		
7	1				9739-0831-22	Mutter .....	Nut .....		
8	1				9997-0855-12	Skruv .....	Screw .....		
9	1				9695-0017-00	Shimsbricka .....	Shim washer .....		- 050227
10	1				1134-1769-02	Remskiva kpl. ....	Belt pulley assy .....		
11	1				1134-0051-09	• Distans .....	• Spacer .....		
12	2				9549-0019-00	• Kullager .....	• Ball bearing .....		
13	1				1134-5112-01	Fjäderfäste .....	Spring attachment .....		
14	2				9945-0816-16	Skruv .....	Screw .....		
15	1				1134-5110-01	Hake .....	Hook .....		
16	2				9893-0616-16	Skruv .....	Screw .....		
18	1				1134-2018-02	Spännarm .....	Tension arm .....		
19	1				1134-9027-01	Spännrulle .....	Tension roller .....		
20	1				1134-9071-01	Drivrem .....	V-belt .....		= 9585-0129-01
21	1				9997-1030-16	Skruv .....	Screw .....		
22	1				9799-1031-02	Mutter .....	Nut .....		
23	1				1134-4111-01	Bromsarm .....	Brake arm .....		
24	1				1134-4164-01	Bromsklots .....	Brake pad .....		
25	1				9897-0825-16	Skruv .....	Screw .....		
26	1				9747-0831-02	Mutter .....	Lock nut .....		
27	1				1134-4162-01	Bromsstång .....	Brake rod .....		
28	1				9675-0008-02	Starlock .....	Locking washer .....		
29	1				1134-4170-01	Nippel .....	Nipple .....		
30	1				9699-0025-02	Planbricka .....	Washer .....		
31	1				9747-0631-02	Låsmutter .....	Lock nut .....		
32	1				4231-0013-00	Fjäder .....	Spring .....		
33	1				1134-4231-01	Dragfjäder .....	Spring .....		
34	1				1134-1565-10	Distans .....	Spacer .....		
35	1				9997-0865-12	Skruv .....	Screw .....		
36	1				9699-0056-02	Planbricka .....	Flat washer .....		
37	1				9739-0831-22	Mutter .....	Nut .....		
38	1				1134-4163-01	Ansatsskruv .....	Shoulder bolt .....		
39	1				9747-1031-02	Låsmutter .....	Lock nut .....		
40	1				1134-3958-01	Remstyrning .....	Belt guide .....		
41	2				9893-0616-16	Skruv .....	Screw .....		
42	1				1134-0041-03	Hylsa .....	Collar .....		
43	1				9997-1070-12	Skruv .....	Screw .....		
44	1				9739-1031-22	Mutter .....	Nut .....		
45	1				1134-3654-01	Fingerskydd .....	Finger guard .....		
46	2				9959-0612-16	Skruv .....	Screw .....		
47	2				9739-0631-22	Mutter .....	Nut .....		
48	1				9699-0090-02	Planbricka .....	Flat washer .....		
49	2				9699-0035-02	Planbricka .....	Flat washer .....		
50	1				9699-0035-02	Planbricka .....	Flat washer .....		

X



Utgåva Issue		Bildnr Picture No		PARK DIESEL KRAFTUTTAG		PARK DIESEL POWER TAKE-OFF		Sida Page	
2005-11		1031E						88	
Pos. Fig.	Antal/Quantity			Art nr Part No	Benämning	Description	Sats Kit	Anmärkning Notes	
	6231								
1	1			1134-5548-01	Distans .....	Spacer .....			
2	1			1134-5109-01	Spännhjulsarm .....	Tension wheel arm .....			
3	1			1134-1770-01	Spännrulle .....	Tension roller .....			
4	1			1134-1888-04	Distans .....	Spacer .....			
5	1			1134-5111-01	Fjäder .....	Spring .....			
6	1			9699-0056-02	Planbricka .....	Flat washer .....			
7	1			9739-0831-22	Mutter .....	Nut .....			
8	1			9997-0855-12	Skruv .....	Screw .....			
9	1			9695-0017-00	Shimsbricka .....	Shim washer .....		24 x 17 x 0.3	
10	1			1134-1769-02	Remskiva kpl. ....	Belt pulley assy .....			
11	1			1134-0051-09	• Distans .....	• Spacer .....			
12	2			9549-0019-00	• Kullager .....	• Ball bearing .....			
13	1			1134-5112-01	Fjäderfäste .....	Spring attachment .....			
14	2			9945-0816-16	Skruv .....	Screw .....			
15	1			1134-5110-01	Hake .....	Hook .....			
16	2			9893-0616-16	Skruv .....	Screw .....			
18	1			1134-3658-02	Spännarm .....	Tensioning arm .....			
19	1			1134-3663-01	Spännrulle .....	Tension wheel .....			
20	1			9997-1040-12	Skruv .....	Screw .....			
21	1			9739-1031-22	Mutter .....	Nut .....			
22	1			1134-9047-01	Drivrem .....	V-belt .....		= 9585-0088-00	
23	1			1134-1565-10	Distans .....	Spacer .....			
24	1			1134-3379-01	Fjäder .....	Spring .....			
25	1			9699-0056-02	Planbricka .....	Flat washer .....			
26	1			9739-0831-22	Mutter .....	Nut .....			
27	1			9997-0855-12	Skruv .....	Screw .....			
28	1			1134-3654-01	Fingerskydd .....	Finger guard .....			
29	2			9739-0631-22	Mutter .....	Nut .....			
30	2			9959-0612-16	Skruv .....	Screw .....			
31	1			1134-3638-01	Magnetkoppling .....	Electric pto-clutch .....			
31 A	1			1134-5016-01	• Bussning .....	• Bushing .....			
40	1			1134-4924-01	Momentstag .....	Strut .....			
41	1			9997-1050-16	Skruv .....	Screw .....			
42	1			9739-1031-22	Mutter .....	Nut .....			

X

SparesDirect.com