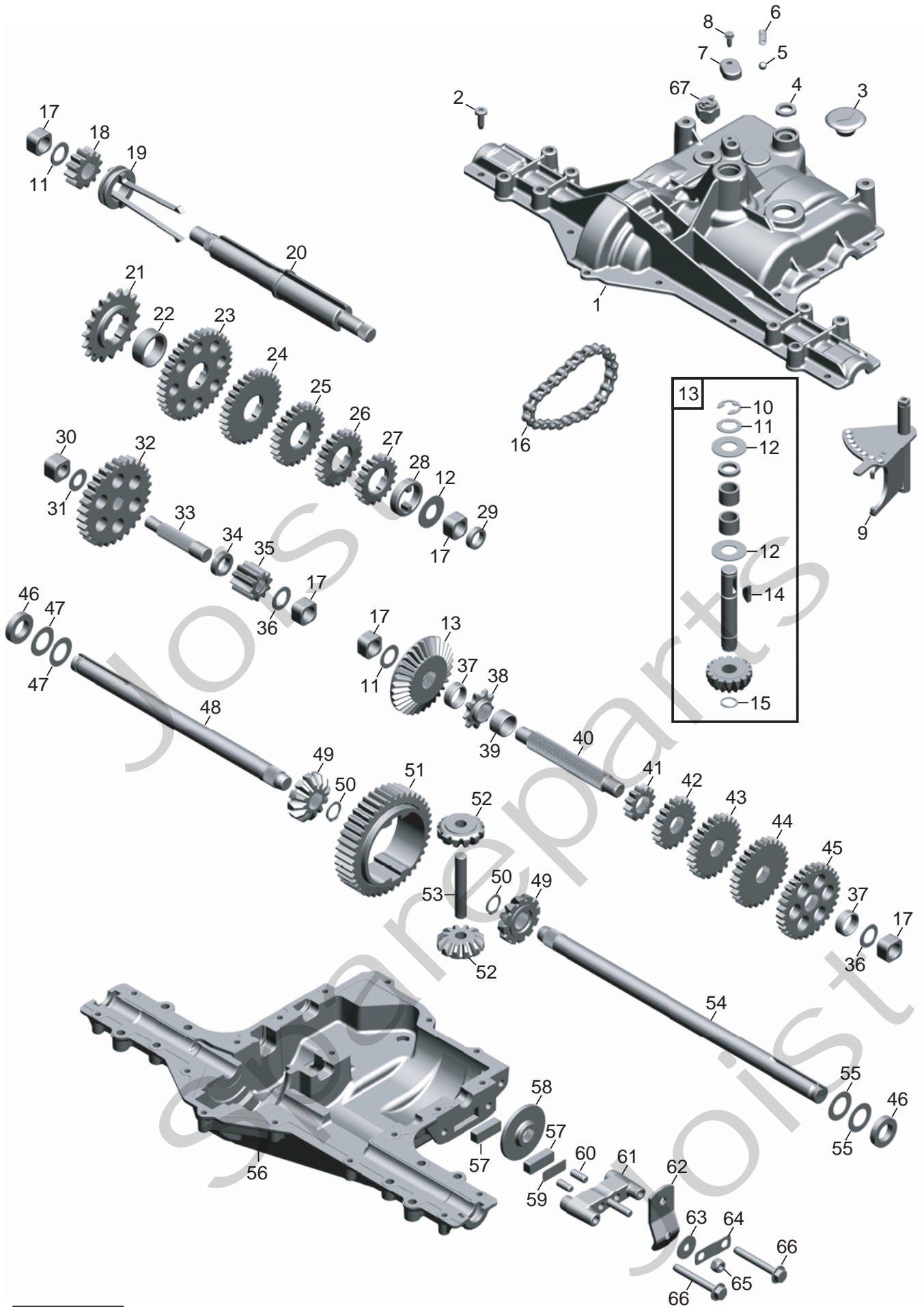


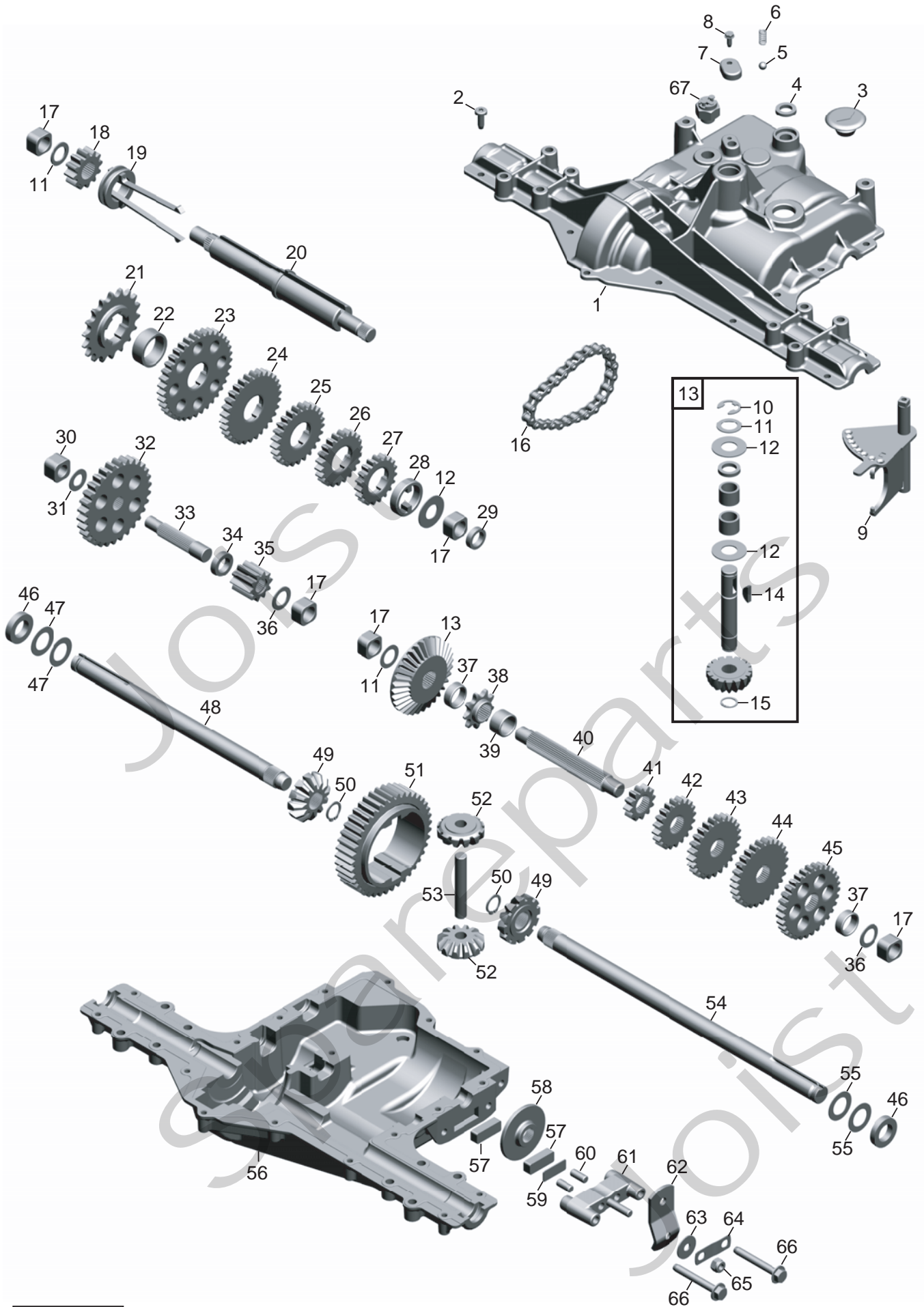
Genuine Spare Parts



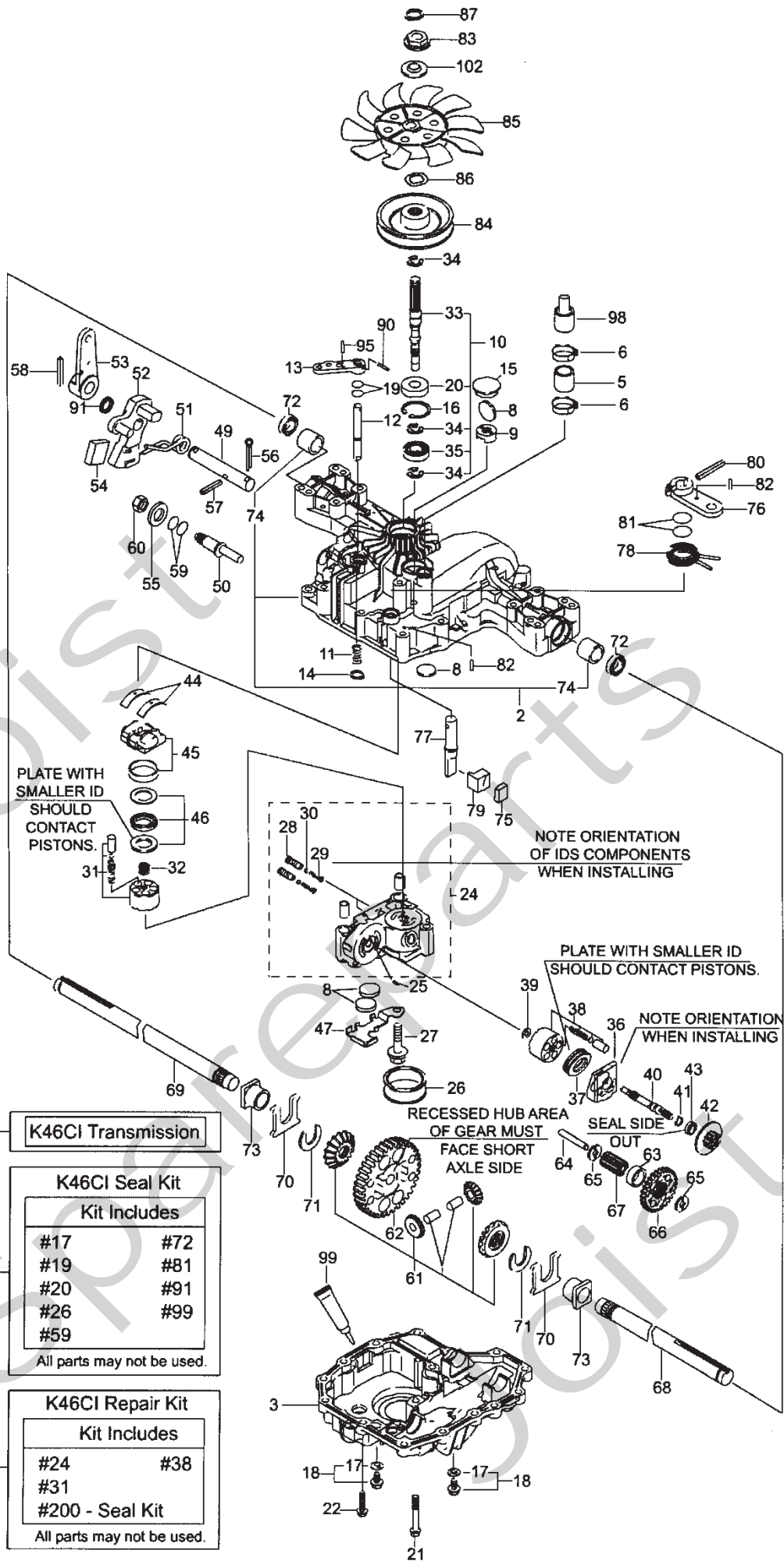
Joist
Spareparts
Joist



Utgåva Issue		Bildnr Picture No		DANA TRANSAXEL		DANA TRANSAXLE		Sida Page	
2009- 11		2215		6800- 7 6800- 8		6800- 7 6800- 8		416	
Pos. Fig.	Antal/Quantity			Art nr Part No	Benämning	Description	Sats Kit	Anmärkning Notes	
	6800 -7	6800 -8							
0	1			1134-6338-01	Transaxel kpl.....	Transaxle assy.....		DANA 6800-7	
0		1		1134-6349-01	Transaxel kpl.....	Transaxle assy.....		DANA 6800-8	
1	1			F000-6768-00	Hus- övre kpl.....	Housing- upper assy.....		Inkl. pos 4, 7-8	
1		1		F000-6769-00	Hus- övre kpl.....	Housing- upper assy.....		Inkl. pos 4, 7-8	
2	18	18		F000-1919-00	Skruv.....	Screw.....			
3	1	1		F004-1356-00	Gummiplugg.....	Rubber plug.....			
4	1	1		F000-7089-00	• Tätningring.....	• Oil seal.....			
5	1	1		F000-5947-00	Kula.....	Ball.....			
6	1	1		F000-5948-00	Fjäder.....	Spring.....			
7	1	1		F000-7101-00	• Lock.....	• Detent cover.....			
8	1	1		F084-0052-00	• Skruv.....	• Screw.....			
9	1	1		F000-6670-00	Växelförare.....	Shifter.....			
10	1	1		F000-1106-00	• Låsring.....	• Retaining ring.....			
11	3	3		F000-4689-00	• Sats- shims.....	• Kit- shim.....			
12	3	3		F000-3876-00	• Bricka.....	• Washer.....			
13	1	1		F000-6753-00	Ingående axel kpl.....	Input shaft assy.....		Pos 10- 12, 14- 15	
14	1	1		F000-1746-00	• Kil.....	• Key.....			
15	1	1		F000-3956-00	• Låsring.....	• Retaining ring.....			
16	1	1		F000-3625-00	Kedja.....	Chain.....			
17	5	5		F000-7091-00	Bussning.....	Bushing.....			
18	1	1		F000-7080-00	Drev.....	Spur gear.....	12T		
19	1	1		F000-6692-00	Växelkrage.....	Shift collar.....			
20	1	1		F000-7086-00	Axel.....	Intermediate shaft.....			
21	1	1		F000-3830-00	Kedjehjul.....	Sprocket.....	18T		
22	1	1		F000-7094-00	Distans.....	Spacer.....			
23	1	1		F000-5365-00	Drev.....	Gear, spur.....	37T		
24	1	1		F000-3867-00	Drev.....	Gear, spur.....	30T		
25	1	1		F000-3783-00	Drev.....	Gear, spur.....	25T		
26	1	1		F000-3869-00	Drev.....	Gear, spur.....	22T		
27	1	1		F000-5202-00	Drev.....	Gear, spur.....	19T		
28	1	1		F000-5027-00	Distans.....	Spacer.....			
29	1	1		F000-7115-00	Tätningring.....	Oil seal.....			
30	1	1		F000-7092-00	Bussning.....	Bushing.....			
31	1	1		F000-3890-00	Bricka.....	Plain washer.....			
32	1	1		F000-7079-00	Drev.....	Spur gear.....	30T		
33	1	1		F000-7083-00	Axel.....	Idler shaft.....			
34	1	1		F000-3410-00	Distans.....	Spacer.....			
35	1	1		F000-5180-00	Drev.....	Spur gear.....	10T		
36	2	2		F000-1425-00	Bricka.....	Washer.....			
37	2	2		F000-3714-00	Distans.....	Spacer.....			
38	1	1		F000-3645-00	Kedjehjul.....	Sprocket.....	9T		
39	1	1		F000-7162-00	Distans.....	Spacer.....			
40	1	1		F000-7084-00	Axel.....	Drive shaft.....			
41	1	1		F000-5364-00	Drev.....	Gear, spur.....	12T		
42	1	1		F000-3866-00	Drev.....	Gear, spur.....	20T		
43	1	1		F000-3719-00	Drev.....	Gear, spur.....	25T		
44	1	1		F000-3868-00	Drev.....	Gear, spur.....	28T		
45	1	1		F000-3683-00	Drev.....	Gear, spur.....	31T		
46	2	2		F000-7088-00	Tätningring.....	Oil seal.....			
47	2	2		F000-3184-00	Bricka.....	Washer.....			
48	1			F000-7165-10	Hjulaxel- vä.....	Wheel axle- LH.....			
48		1		F000-7166-10	Hjulaxel- vä.....	Wheel axle- LH.....			
49	2	2		F000-5622-00	Drev.....	Miter gear.....	12T		
50	2	2		F000-5270-00	Låsring.....	Retaining ring.....			
51	1	1		F000-5181-00	Drev.....	Spur gear.....	41T		
52	2	2		F000-5623-00	Drev.....	Miter gear.....	12T		
53	1	1		F000-3919-00	Axel.....	Cross shaft.....			
54	1			F000-7165-20	Hjulaxel- hö.....	Wheel axle- RH.....			
54		1		F000-7166-20	Hjulaxel- hö.....	Wheel axle- RH.....			
55	1	1		F000-4691-00	Sats- shims.....	Kit- shim.....			
56	1	1		F000-7071-A0	Hus- nedre.....	Housing- lower.....			
57	1	1		F000-6754-00	Friktionsbelägg- sats.....	Friction puck kit.....			
58	1	1		F000-7103-00	Bromsskiva.....	Brake disc.....			



Utgåva Issue 2009- 11		Bildnr Picture No 2215		DANA TRANSAXEL 6800- 7 6800- 8		DANA TRANSAXLE 6800- 7 6800- 8		Sida Page 418	
Pos. Fig.	Antal/Quantity			Art nr Part No	Benämning	Description	Sats Kit	Anmärkning Notes	
	6800 -7	6800 -8							
59	1	1		F000- 3758- 00	Distans	Spacer			
60	2	2		F000- 3843- 00	Pinne	Dowel pin			
61	1	1		F000- 5554- 00	Bromshållare	Brake jaw			
62		1		F000- 7029- 00	Bromsarm	Actuating lever			
62	1			F000- 7032- 00	Bromsarm	Actuating lever			
63	1	1		F000- 3760- 00	Bricka	Washer			
64	1	1		F000- 5555- 00	Bricka	Bracket			
65	1	1		F000- 3847- 00	Låsmutter	Lock nut			
66	2	2		F000- 5562- 00	Skruv	Screw			
67		1		F000- 7034- 00	Brytare	Switch			



1- K46CI Transmission

200- K46CI Seal Kit

Kit Includes	
#17	#72
#19	#81
#20	#91
#26	#99
#59	

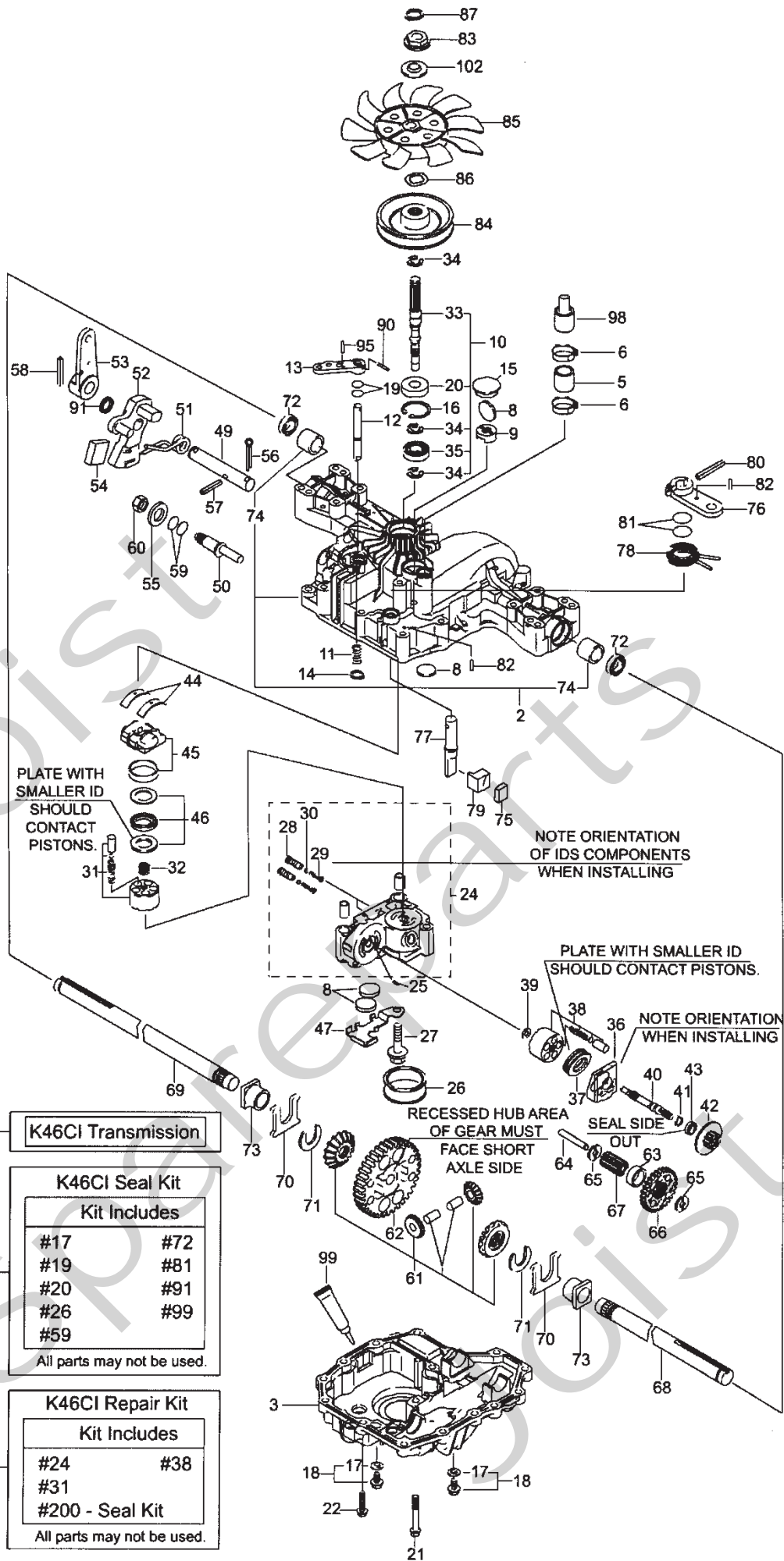
All parts may not be used.

201- K46CI Repair Kit

Kit Includes	
#24	#38
#31	
#200 - Seal Kit	

All parts may not be used.

Utgåva Issue 2009- 11		Bildnr Picture No 2547		KANZAKI TRANSAXEL K46CI (s/n 0000001-)		KANZAKI TRANSAXLE K46CI (s/n 0000001-)		Sida Page 420	
Pos. Fig.	Antal/Quantity				Art nr Part No	Benämning	Description	Sats Kit	Anmärkning Notes
	K46 CI								
1	1			1134-7767-01	Transaxel kpl.....	Transaxle assy.....		Kanzaki K46CI	
2	1			1139-1470-01	Hus- övre	Housing- upper			
3	1			1139-1402-01	Hus- nedre	Case- lower			
5	1			1139-1301-01	Rör	Tube			
6	2			1139-1336-01	Slangklämma.....	Hose clamp			
8	2			1139-1150-01	Magnet	Magnet.....			
9	1			1139-1341-01	Hållare- magnet	Holder- magnet			
10	1			1139-1511-01	Pumpaxel kpl.....	Pump shaft kit.....			
11	1			1139-1347-01	Fjäder.....	Spring			
12	1			1139-1251-01	Axel- bypass	Shaft- bypass			
13	1			1139-1189-01	Arm- bypass	Lever- bypass.....			
14	1			1139-1161-01	Låsring	Ring			
15	1			1139-1275-01	Plugg.....	Bore plug			
16	1			1139-1104-01	• Låsring	• Snap ring			
17	2			1139-1103-01	• Tätningbricka	• Seal washer.....	S		
18	2			1139-1500-01	Dräneringsskruv	Drain bolt kit			
21	2			1139-1295-01	Skruv	Tapping screw.....			
22	14			1139-0244-01	Skruv	Tapping screw.....			
24	1			1139-1599-01	Centrumhus	Center case assy			
25	1			1139-1158-01	Stift	Pin			
26	1			1139-1405-01	Filter	Filter	S		
27	3			1139-1294-01	Bult	Bolt			
28	2			1139-1468-01	Ventil	Valve			
29	2			1139-1243-01	Fjäder.....	Spring			
30	2			1139-1307-01	Filter	Filter			
31	1			1139-1356-01	Cylinderblock kpl	Cylinder block assy			
32	1			1139-1245-01	Fjäder.....	Spring			
33	1			1139-1246-01	• Pumpaxel.....	• Pump shaft.....			
34	3			1139-1146-01	• Låsring	• Ring			
35	1			1139-1110-01	• Kullager	• Ball bearing			
36	1			1139-1157-01	Hus	Housing			
37	1			1139-1501-01	Lager	Bearing.....			
38	1			1139-1454-01	Cylinderblock kpl	Cylinder block assy			
39	1			1139-1160-01	Bricka	Washer.....			
40	1			1139-1353-01	Motoraxel	Motor shaft			
41	1			1139-1021-01	Låsring	Snap ring			
42	1			1139-1272-01	Motordrev.....	Motor gear			
43	1			1139-1453-01	Lager	Bearing.....			
44	2			1139-1066-01	Tryckplatta	Metal thrust.....			
45	1			1139-1597-01	Stänkplatta kpl	Swash plate assy			
46	1			1139-1508-01	Lager	Bearing.....			
47	1			1139-1598-01	Magnethållare.....	Magnet holder			
49	1			1139-1354-01	Regleraxel.....	Control shaft			
50	1			1139-1410-01	Vridcentrum.....	Fulcrum.....			
51	1			1139-1312-01	Fjäder.....	Spring			
52	1			1139-1409-01	Reglerarm.....	Control arm			
53	1			1139-1325-01	Reglerarm.....	Control lever			
54	1			1139-1596-01	Ryckplatta.....	Jerky plate.....			
55	1			1139-1102-01	Bricka	Washer.....			
56	1			1139-1355-01	Saxpinne.....	Cotter pin			
57	1			1139-1329-01	Stift.....	Pin			
58	1			1139-1285-01	Stift.....	Pin			
60	1			1139-1127-01	Mutter.....	Nut			
61	1			1139-1404-01	Differentialdrev kpl	Differential gear kit.....			
62	1			1139-1258-01	Slutdrev	Final gear			
63	1			1139-1255-01	Hylsa	Collar			
64	1			1139-1256-01	Reduktionsaxel	Reduction shaft.....			
65	2			1139-1257-01	Bricka	Washer.....			
66	1			1139-1267-01	Reduktionsdrev	Reduction gear.....			
67	1			1139-1361-01	Slutdrev	Final pinion			
68	1			1139-1344-01	Hjulaxel- vä	Axle shaft- left			
69	1			1139-1345-01	Hjulaxel- hö	Axle shaft- right.....			
70	2			1139-1078-01	Tryckbricka	Thrust washer			



1- K46CI Transmission

200- K46CI Seal Kit

Kit Includes	
#17	#72
#19	#81
#20	#91
#26	#99
#59	

All parts may not be used.

201- K46CI Repair Kit

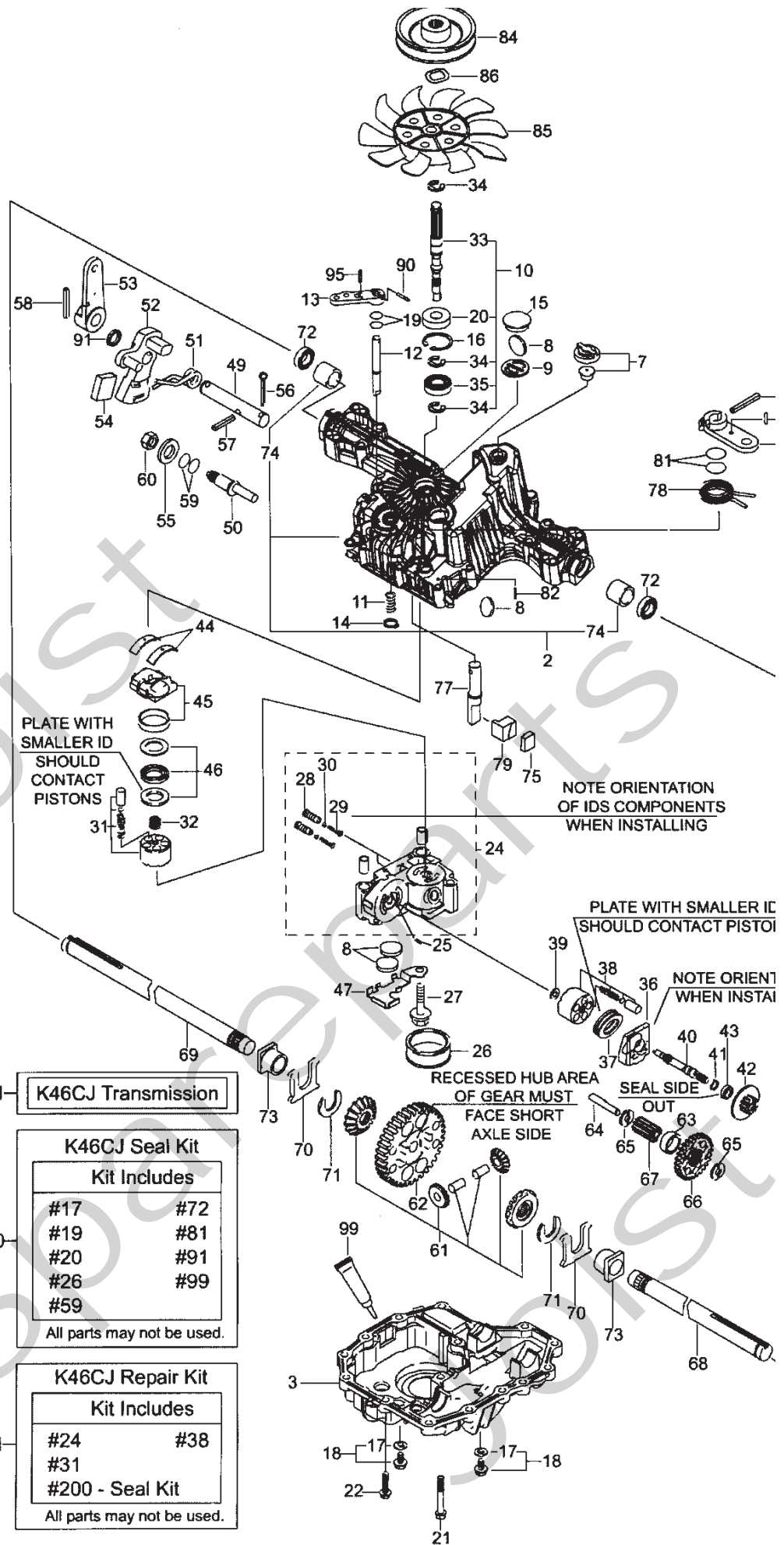
Kit Includes	
#24	#38
#31	
#200 - Seal Kit	

All parts may not be used.

Utgåva Issue 2009- 11		Bildnr Picture No 2547		KANZAKI TRANSAXEL K46CI (s/n 0000001-)		KANZAKI TRANSAXLE K46CI (s/n 0000001-)		Sida Page 422	
Pos. Fig.	Antal/Quantity				Art nr Part No	Benämning	Description	Sats Kit	Anmärkning Notes
	K46 CI								
71	2				1139-1163-01 Låsring	Ring		S	
72	2				1139-1080-01 Tätning	Seal			
73	2				1139-1164-01 Bussning	Bushing.....			
74	2				1139-1414-01 • Bussning.....	• Bushing.....			
75	1				1139-1260-01 Bromssko	Brake shoe			
76	1				1139-1261-01 Bromsarm	Brake arm			
77	1				1139-1320-01 Bromsaxel	Brake shaft.....			
78	1				1139-1411-01 Returfjäder	Return spring			
79	1				1139-1264-01 Bromstryckare	Brake actuator			
80	1				1139-1282-01 Stift.....	Pin			
82	2				1139-1281-01 Stift.....	Pin			
83	1				1139-1248-01 Krage.....	Spline collar			
84	1				1139-1484-01 Remskiva.....	Pulley			
85	1				1134-4190-01 Fläkt.....	Fan			
86	1				1139-1266-01 Låsbricka	Lock washer			
87	1				1139-1149-01 Låsring	Snap ring			
90	1				1139-1280-01 Stift.....	Pin			
95	1				1139-1279-01 Stift.....	Pin			
98	1				1139-1306-01 Adapter.....	Adapter			
99	1				1139-1443-01 Tätningsmedel	Sealant	S		
102	1				1139-1276-01 Bricka	Collar			
200	1				1139-1403-01 Packningssats	Seal kit		Märkta S/Marked S	
201	1				1139-1600-01 Rep.sats	Repair kit.....			

-80
-82
-76

1
VS.
ATION
LING



1 **K46CJ Transmission**

K46CJ Seal Kit

Kit Includes

#17	#72
#19	#81
#20	#91
#26	#99
#59	

All parts may not be used.

200

K46CJ Repair Kit

Kit Includes

#24	#38
#31	
#200 - Seal Kit	

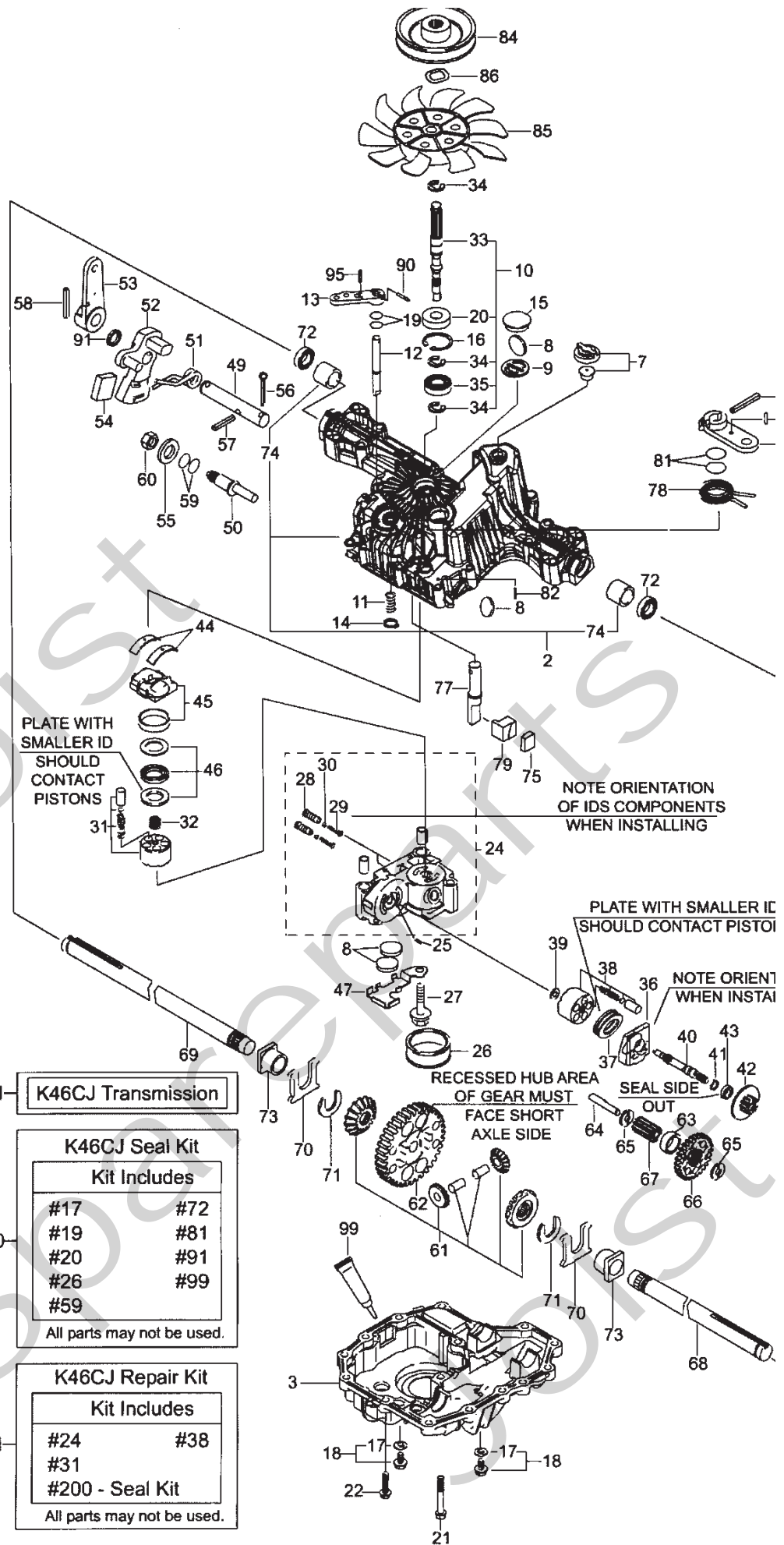
All parts may not be used.

201

Utgåva Issue	Bildnr Picture No	KANZAKI TRANSAXEL K46CJ (s/n 0000001-)		KANZAKI TRANSAXLE K46CJ (s/n 0000001-)		Sida Page			
2009- 11	2546					424			
Pos. Fig.	Antal/Quantity				Art nr Part No	Benämning	Description	Sats Kit	Anmärkning Notes
	K46 CJ								
1	1			1134-7766-01	Transaxel kpl.....	Transaxle assy.....		Kanzaki K46CJ	
2	1			1139-1485-01	Hus- övre	Housing- upper			
3	1			1139-1402-01	Hus- nedre	Case- lower			
7	1			1139-1595-01	Ventil kpl.....	Vent valve assy			
8	2			1139-1150-01	Magnet	Magnet.....	S		
9	1			1139-1341-01	Hållare- magnet	Holder- magnet			
10	1			1139-1499-01	Pumpaxel kpl.....	Pump shaft kit.....			
11	1			1139-1347-01	Fjäder.....	Spring			
12	1			1139-1324-01	Axel- bypass	Shaft- bypass			
13	1			1139-1189-01	Arm- bypass	Lever- bypass			
14	1			1139-1161-01	Låsring	Ring			
15	1			1139-1275-01	Plugg	Bore plug			
16	1			1139-1104-01	Låsring	Snap ring			
17	2			1139-1103-01	• Tätningbricka	• Seal washer	S		
18	2			1139-1500-01	Dräneringsskruv	Drain bolt kit			
21	2			1139-1295-01	Skruv	Tapping screw			
22	14			1139-0244-01	Skruv	Tapping screw			
24	1			1139-1599-01	Centrumhus	Center case assy			
25	1			1139-1158-01	Stift.....	Pin			
26	1			1139-1405-01	Filter	Filter	S		
27	3			1139-1294-01	Bult	Bolt			
28	2			1139-1468-01	Ventil	Valve			
29	2			1139-1243-01	Fjäder.....	Spring			
30	2			1139-1307-01	Filter	Filter			
31	1			1139-1356-01	Cylinderblock kpl	Cylinder block assy			
32	1			1139-1245-01	Fjäder.....	Spring			
33	1			1139-1406-01	• Pumpaxel.....	• Pump shaft.....			
34	3			1139-1146-01	• Låsring	• Ring			
35	1			1139-1110-01	• Kullager	• Ball bearing			
36	1			1139-1157-01	Hus	Housing			
37	1			1139-1501-01	Lager	Bearing.....			
38	1			1139-1454-01	Cylinderblock kpl	Cylinder block assy			
39	1			1139-1160-01	Bricka	Washer.....			
40	1			1139-1353-01	Motoraxel	Motor shaft			
41	1			1139-1021-01	Låsring	Snap ring			
42	1			1139-1272-01	Motordrev	Motor gear			
43	1			1139-1453-01	Lager	Bearing.....			
44	2			1139-1066-01	Tryckplatta	Metal thrust.....			
45	1			1139-1597-01	Stänklatta kpl	Swash plate assy			
46	1			1139-1508-01	Lager	Bearing.....			
47	1			1139-1598-01	Magnethållare.....	Magnet holder.....			
49	1			1139-1354-01	Regleraxel.....	Control shaft			
50	1			1139-1410-01	Excenter.....	Fulcrum.....			
51	1			1139-1312-01	Fjäder.....	Spring			
52	1			1139-1409-01	Reglerarm.....	Control arm.....			
53	1			1139-1325-01	Reglerarm.....	Control lever			
54	1			1139-1596-01	Ryckplatta.....	Jerky plate.....			
55	1			1139-1102-01	Bricka	Washer.....			
56	1			1139-1355-01	Saxpinne.....	Cotter pin			
57	1			1139-1329-01	Stift.....	Pin			
58	1			1139-1285-01	Stift.....	Pin			
60	1			1139-1127-01	Mutter.....	Nut			
61	1			1139-1404-01	Differentialdrev kpl	Differential gear kit.....			
62	1			1139-1258-01	Slutdrev	Final gear			
63	1			1139-1255-01	Hylsa	Collar			
64	1			1139-1256-01	Reduktionsaxel	Reduction shaft.....			
65	2			1139-1257-01	Bricka	Washer.....			
66	1			1139-1267-01	Reduktionsdrev	Reduction gear.....			
67	1			1139-1361-01	Slutdrev	Final pinion			
68	1			1139-1342-01	Hjulaxel- vä	Axle shaft- left			
69	1			1139-1343-01	Hjulaxel- hö	Axle shaft- right.....			
70	2			1139-1078-01	Tryckbricka	Thrust washer			
71	2			1139-1163-01	Låsring	Ring			

-80
-82
-76

1
VS.
ATION
LING



1 **K46CJ Transmission**

K46CJ Seal Kit

Kit Includes

#17	#72
#19	#81
#20	#91
#26	#99
#59	

All parts may not be used.

200

K46CJ Repair Kit

Kit Includes

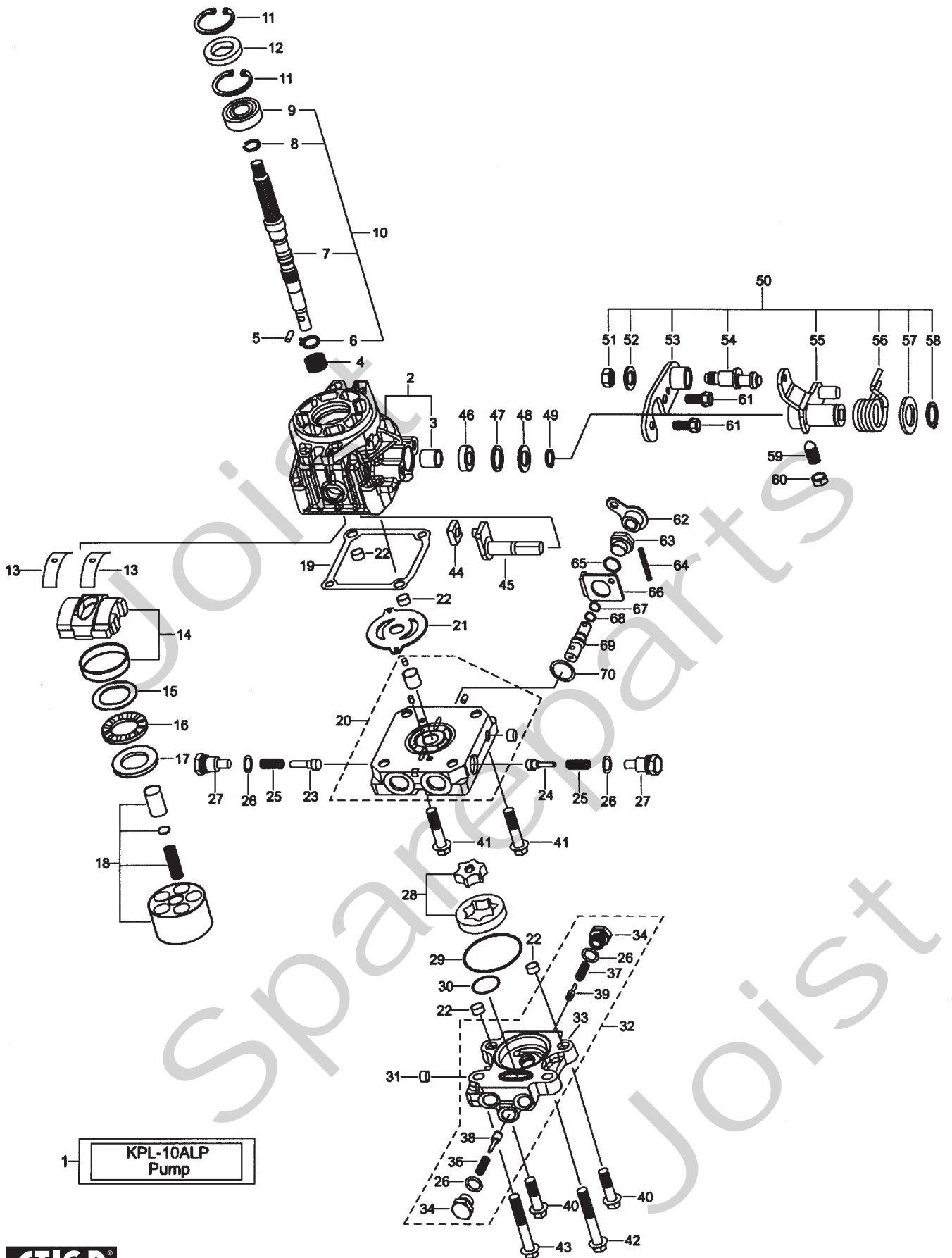
#24	#38
#31	
#200 - Seal Kit	

All parts may not be used.

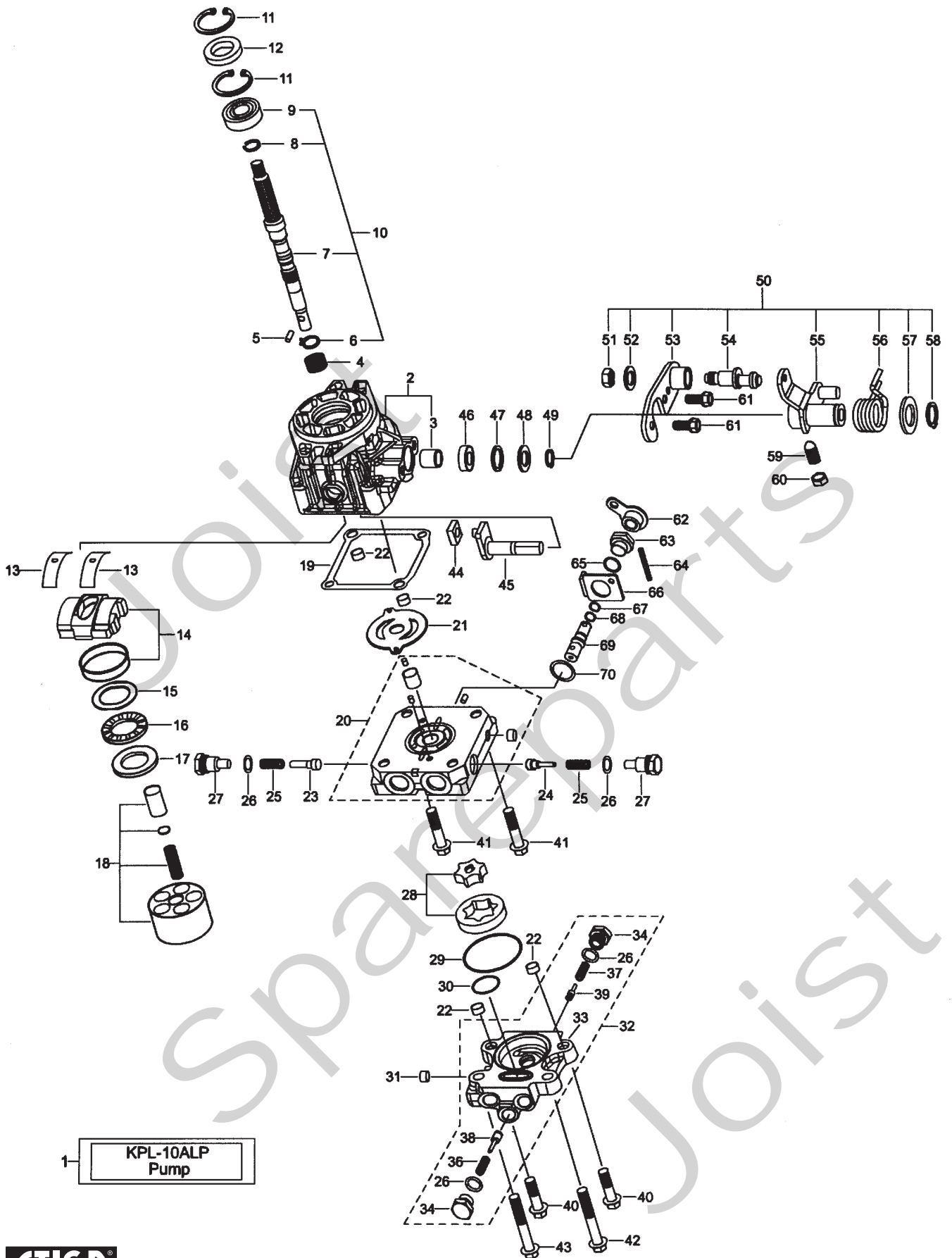
201



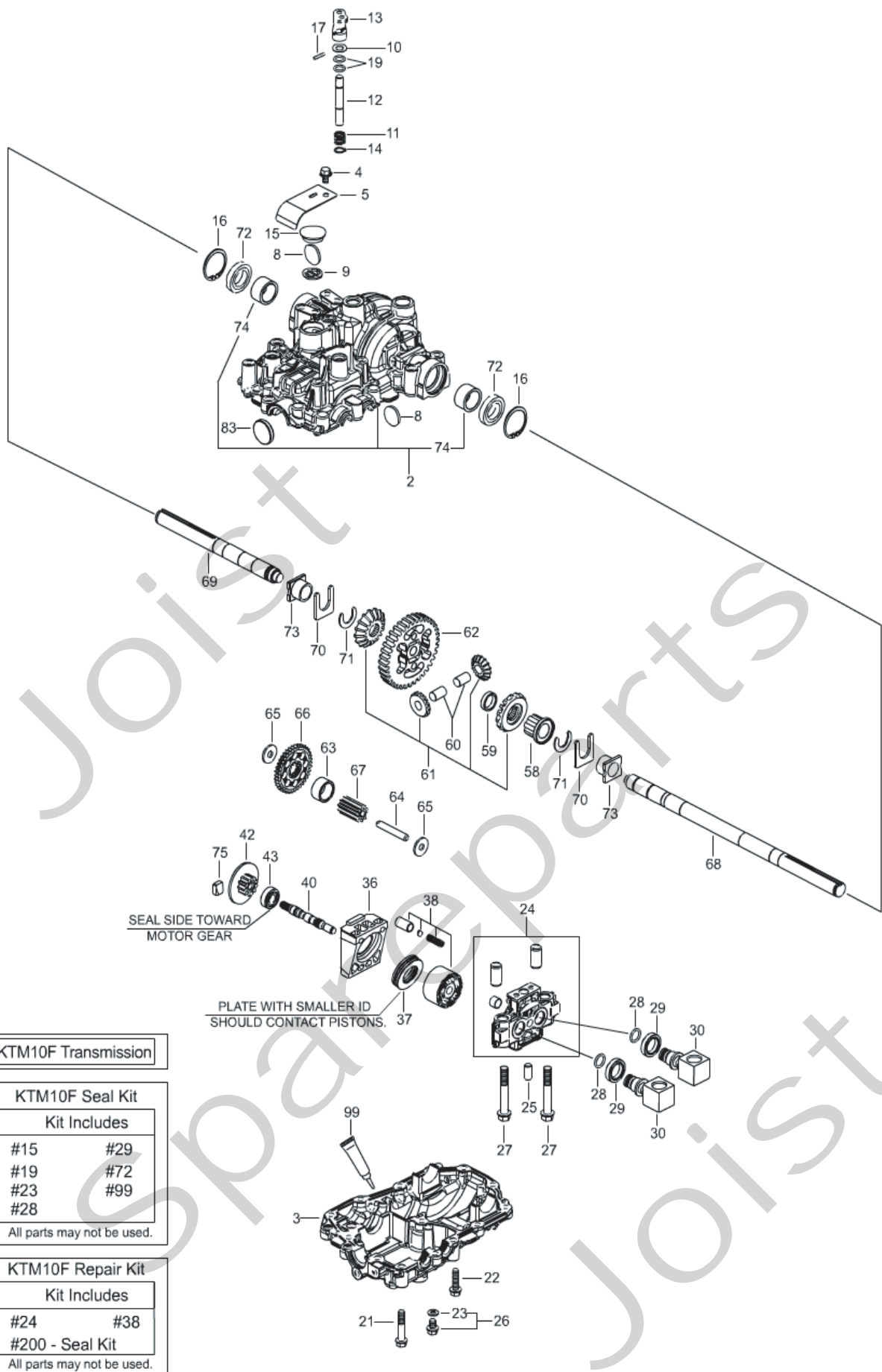
Utgåva Issue 2009- 11		Bildnr Picture No 2546		KANZAKI TRANSAXEL K46CJ (s/n 0000001-)		KANZAKI TRANSAXLE K46CJ (s/n 0000001-)		Sida Page 426	
Pos. Fig.	Antal/Quantity				Art nr Part No	Benämning	Description	Sats Kit	Anmärkning Notes
	K46 CJ								
72	1				1139-1080-01	Tätningring	Seal	S	
73	2				1139-1164-01	Bussning	Bushing		
74	2				1139-1414-01	• Bussning	• Bushing		
75	1				1139-1260-01	Bromssko	Brake shoe		
76	1				1139-1261-01	Bromsarm	Brake arm		
77	1				1139-1320-01	Bromsaxel	Brake shaft		
78	1				1139-1411-01	Returfjäder	Return spring		
79	1				1139-1264-01	Bromstryckare	Brake actuator		
80	1				1139-1282-01	Stift	Pin		
82	2				1139-1281-01	Stift	Pin		
84	1				1139-1484-01	Remskiva	Belt pulley		
85	1				1134-4190-01	Fläkt	Fan		
86	1				1139-1266-01	Låsbricka	Lock washer		
87	1				1139-1149-01	Låsring	Snap ring		
90	1				1139-1280-01	Stift	Pin		
95	1				1139-1279-01	Stift	Pin		
99	1				1139-1443-01	Tätningmedel	Sealant	S	
200	1				1139-1403-01	Packningssats	Seal kit		Marked S
201	1				1139-1600-01	Rep.sats	Repair kit		



Utgåva Issue 2009- 11		Bildnr Picture No 2424		KANZAKI HYDRAULPUMP KPL- 10ALP		KANZAKI HYDRAULIC PUMP KPL- 10ALP		Sida Page 428	
Pos. Fig.	Antal/Quantity				Art nr Part No	Benämning	Description	Sats Kit	Anmärkning Notes
	KPL- 10 ALP								
1	1			1134-5700-01	Hydraulpump kpl	Hydraulic pump assy		Kanzaki KPL- 10ALP Inkl. pos 3	
2	1			1139-1514-01	Hus	Housing			
3	1			1139-1512-01	• Bussning	• Bushing			
4	1			1139-1018-01	Fjäder	Spring			
5	1			1139-1148-01	Stift	Pin			
6	1			1139-1021-01	• Låsring	• Snap ring			
8	1			1139-1532-01	• Låsring	• Retaining ring			
9	1			1139-0236-01	• Kullager	• Ball bearing			
10	1			1139-1516-01	Pumpaxel kpl	Pump shaft assy	Inkl. pos 6-9		
11	2			1139-1369-01	Spårring	Snap ring			
12	1			1139-1396-01	Tätningarring	Seal			
13	2			1139-1022-01	Tryckplatta	Metal thrust			
14	1			1139-1523-01	Stänklatta	Swash plate			
15	1			1139-1026-01	Tryckplatta	Thrust plate			
16	1			1139-1024-01	Lager	Bearing			
17	1			1139-1525-01	Tryckplatta	Thrust plate			
18	1			1139-1509-01	Cylinderblock kpl	Cylinder block kit			
19	1			1139-1515-01	Packning	Case gasket			
20	1			1139-1521-01	Centrumhus	Center case assy			
21	1			1139-1513-01	Ventilplatta	Valve plate			
22	8			1139-1166-01	Tapp	Pin			
23	1			1139-1368-01	Ventil	Check valve F			
24	1			1139-1374-01	Ventil	Check valve R			
25	2			1139-1366-01	Fjäder	Spring			
27	2			1139-1367-01	Plugg	Check plug			
28	1			1139-1530-01	Rotor	Rotor set			
29	1			1139-1529-01	O-ring	Packing			
30	1			1139-1533-01	O-ring	O-ring			
31	1			1139-1107-01	Plugg	Plug			
32	1			1139-1518-01	Pump kpl	Power pump assy	Inkl. pos 26, 33-39		
33	1			1139-1519-01	• Pumphus	• Pump body			
34	2			1139-1375-01	• Plugg	• Charge plug			
35	1			1139-1114-01	O-ring	O-ring			
36	1			1139-1376-01	• Fjäder	• Spring			
37	1			1139-1389-01	• Ventilfjäder	• Valve spring			
38	1			1139-1385-01	• Ventil	• Relief valve			
39	1			1139-1386-01	• Ventil	• Charge valve			
40	2			1139-1535-01	Skruv	Bolt w/washer			
41	4			1139-1536-01	Skruv	Bolt w/washer			
42	1			1139-1537-01	Skruv	Bolt w/washer			
43	1			1139-1538-01	Skruv	Bolt w/washer			
44	1			1139-1524-01	Växelblock	Shift block			
45	1			1139-1517-01	Reglagearm	Control arm			
46	1			1139-1365-01	Tätningarring	Oil seal			
47	1			1139-1393-01	Spårring	Ring			
48	1			1139-1382-01	Bricka	Washer			
49	1			1139-1391-01	Låsring	Ring			
50	1			1139-1520-01	Arm kpl	Neutral return assy	Inkl. pos 51-58		
51	1			1139-1127-01	• Mutter	• Nut			
52	1			1139-1102-01	• Bricka	• Washer			
53	1			1139-1377-01	• Plåt	• Plate			
54	1			1139-1378-01	• Vridcentrum	• Fulcrum			
55	1			1139-1379-01	• Arm	• Arm			
56	1			1139-1380-01	• Returfjäder	• Return spring			
57	1			1139-1390-01	• Bricka	• Washer			
58	1			1139-1392-01	• Spårring	• Ring			
59	1			1139-1381-01	Stoppsskruv	Set screw			
60	1			1139-1127-01	Mutter	Nut			
61	2			1139-1122-01	Bult m.bricka	Bolt w/washer			
62	1			1139-1372-01	By-pass arm	By-pass lever			
63	1			1139-1371-01	Adapter	By-pass adapter			
64	1			1139-1395-01	Stift	Pin			
65	1			1139-1115-01	O-ring	O-ring			



Utgåva Issue 2009- 11		Bildnr Picture No 2424		KANZAKI HYDRAULPUMP KPL- 10ALP		KANZAKI HYDRAULIC PUMP KPL- 10ALP		Sida Page 430	
Pos. Fig.	Antal/Quantity				Art nr Part No	Benämning	Description	Sats Kit	Anmärkning Notes
	KPL- 10 ALP								
66	1				1139- 1373- 01	Plåt	By- pass plate		
67	1				1139- 1387- 01	Ring	Back- up ring		
68	1				1139- 1112- 01	O- ring	O- ring		
69	1				1139- 1370- 01	By- pass axel	By- pass pin		
70	1				1139- 1522- 01	Vågbricka	Wave washer		



1- KTM10F Transmission

KTM10F Seal Kit

Kit Includes

- | | |
|-----|-----|
| #15 | #29 |
| #19 | #72 |
| #23 | #99 |
| #28 | |

All parts may not be used.

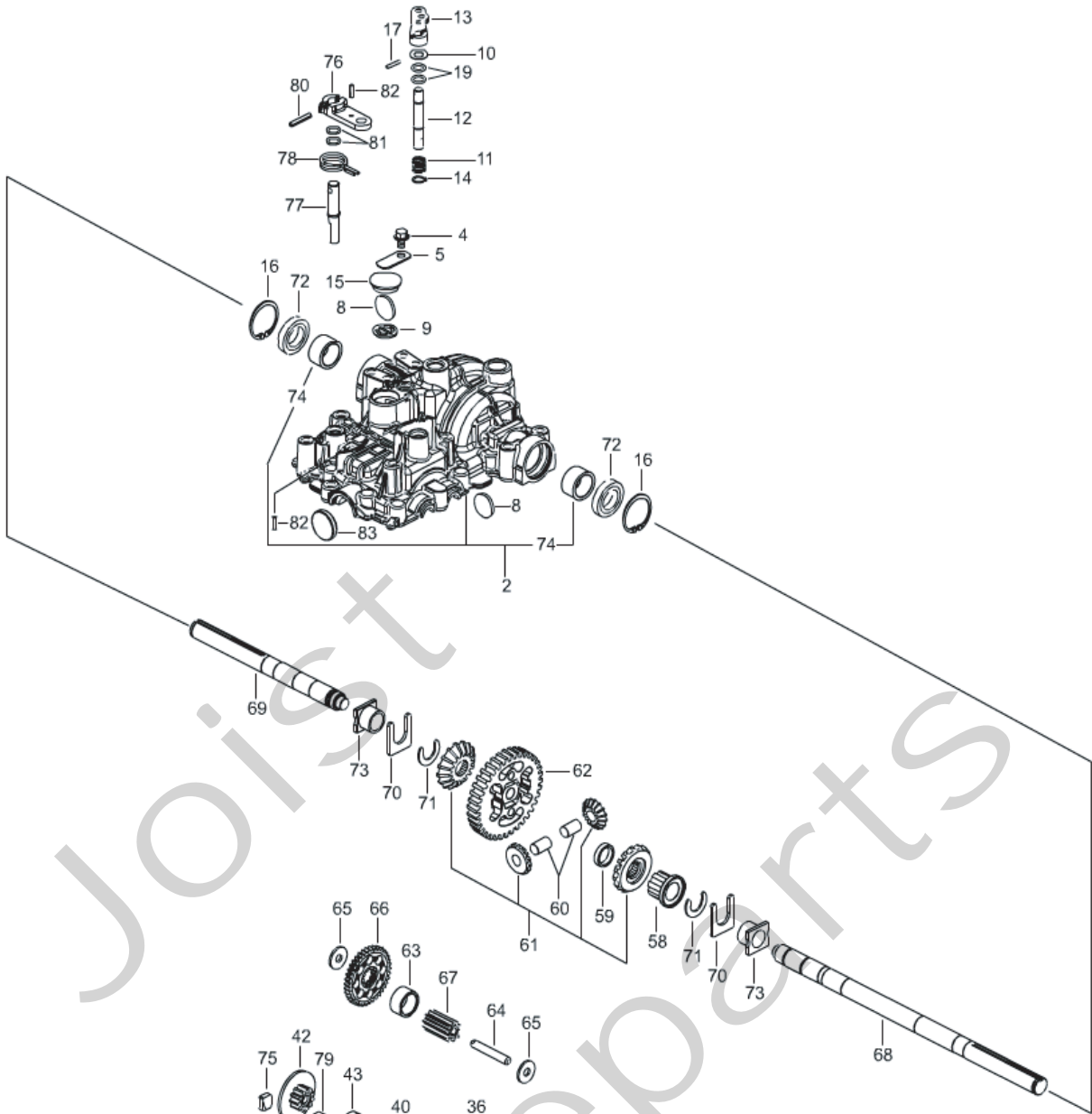
KTM10F Repair Kit

Kit Includes

- | | |
|-----------------|-----|
| #24 | #38 |
| #200 - Seal Kit | |

All parts may not be used.

Utgåva Issue 2009- 11		Bildnr Picture No 2216		KANZAKI TRANSAXEL KTM 10F		KANZAKI TRANSAXLE KTM 10F		Sida Page 432	
Pos. Fig.	Antal/Quantity				Art nr Part No	Benämning	Description	Sats Kit	Anmärkning Notes
	KTM 10F								
1	1			1134-5702-01	Motoraxel- fram	Motor shaft- front.....		Kanzaki KTM 10F Inkl. pos 74	
2	1			1139-1417-01	Hus- övre	Housing- upper			
3	1			1139-1418-01	Hus- nedre	Housing- lower			
4	1			1139-1123-01	Bult	Bolt			
5	1			1139-1384-01	Glidplåt	Skid plate			
8	2			1139-1150-01	Magnet	Magnet			
9	1			1139-1341-01	Hållare- magnet	Holder- magnet			
10	1			1139-1388-01	Bricka	Washer			
11	1			1139-1421-01	Fjäder	Spring			
12	1			1139-1420-01	By- passaxel.....	By- pass shaft			
13	1			1139-1189-01	Arm- bypass	Lever- bypass			
14	1			1139-1391-01	Låsring	Ring			
15	1			1139-1397-01	Tätningshuv.....	Sealing cap			
16	2			1139-1444-01	Låsring	Ring			
17	1			1139-1280-01	Stift	Pin			
19	2			1139-1114-01	O- ring	O- ring			
21	3			1139-1291-01	Bult	Bolt			
22	11			1139-1448-01	Bult	Bolt			
23	1			1139-1103-01	Tätningbricka	Seal washer			
24	1			1139-1503-01	Centrumhus.....	Center case			
25	1			1139-1445-01	Tapp	Pin			
26	1			1139-1500-01	Dräneringsbult.....	Drain bolt kit			
27	2			1139-1449-01	Bult	Bolt			
28	2			1139-1446-01	Packning.....	Packing			
29	2			1139-1447-01	Tätningring	Seal			
30	2			1139-1424-01	Anslutning	Connector			
36	1			1139-1504-01	Motorhus.....	Motor housing			
37	1			1139-1438-01	Lager	Bearing			
38	1			1139-1509-01	Cylinderblock kpl	Cylinder block kit			
40	1			1139-1425-01	Motoraxel	Motor shaft			
42	1			1139-1442-01	Motordrev.....	Motor gear			
43	1			1139-1453-01	Lager	Bearing.....			
58	1			1139-1330-01	Hylsa	Collar			
59	1			1139-1435-01	Hylsa	Collar			
60	1			1139-1440-01	Axel	Pin			
61	1			1139-1439-01	Differentialdrev kpl	Differential gear kit.....			
62	1			1139-1429-01	Slutdrev.....	Final gear			
63	1			1139-1427-01	Hylsa	Collar			
64	1			1139-1256-01	Reduktionsaxel	Reduction shaft.....			
65	2			1139-1398-01	Bricka	Washer.....			
66	1			1139-1441-01	Reduktionsdrev	Reduction gear.....			
67	1			1139-1361-01	Slutdrev.....	Final pinion			
68	1			1139-1432-01	Hjulaxel.....	Axle.....			
69	1			1139-1431-01	Hjulaxel.....	Axle.....			
70	2			1139-1194-01	Tryckbricka	Thrust washer			
71	2			1139-1155-01	Låsring	Ring			
72	2			1139-1044-01	Tätning	Seal			
73	2			1139-1156-01	Bussning	Bushing.....			
74	2			1139-1415-01	• Bussning.....	• Bushing.....			
75	1			1139-1260-01	Bromssko	Brake shoe			
83	1			1139-1450-01	Tätningshuv.....	Sealing cap			
99	1			1139-1443-01	Tätningmedel	Sealant			
200	1			1139-1436-01	Servicesats.....	Seal kit			



SEAL SIDE TOWARD
MOTOR GEAR

PLATE WITH SMALLER ID
SHOULD CONTACT PISTONS.

1 KTM10G Transmission

KTM10G Seal Kit

Kit Includes

#15	#51
#19	#55
#23	#72
#28	#81
#29	#99

All parts may not be used.

200

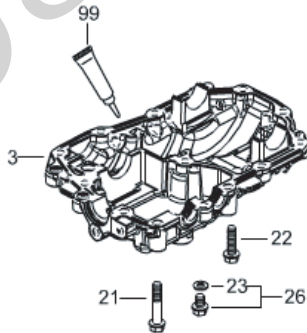
KTM10G Repair Kit

Kit Includes

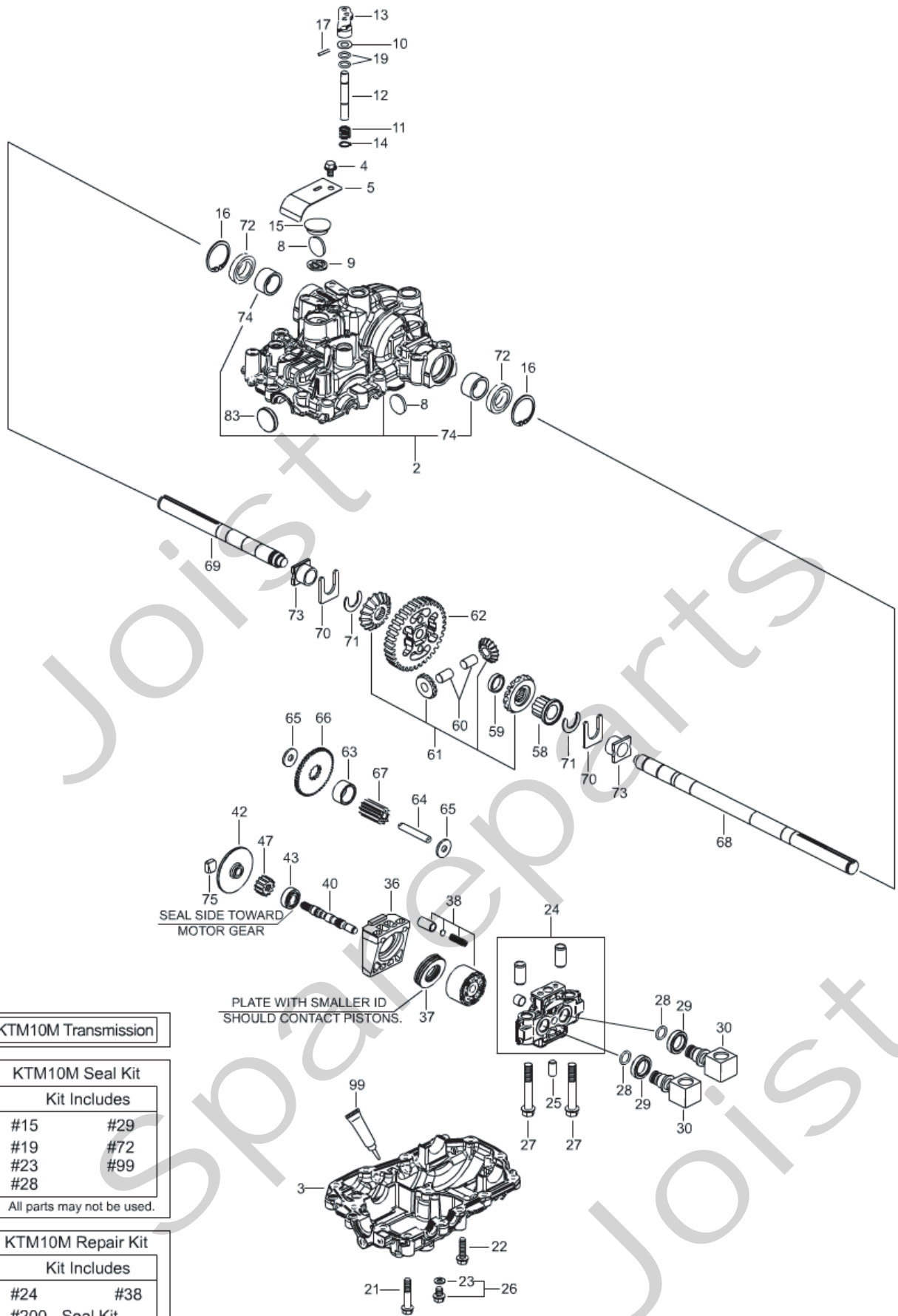
#24	#38
#200 - Seal Kit	

All parts may not be used.

201

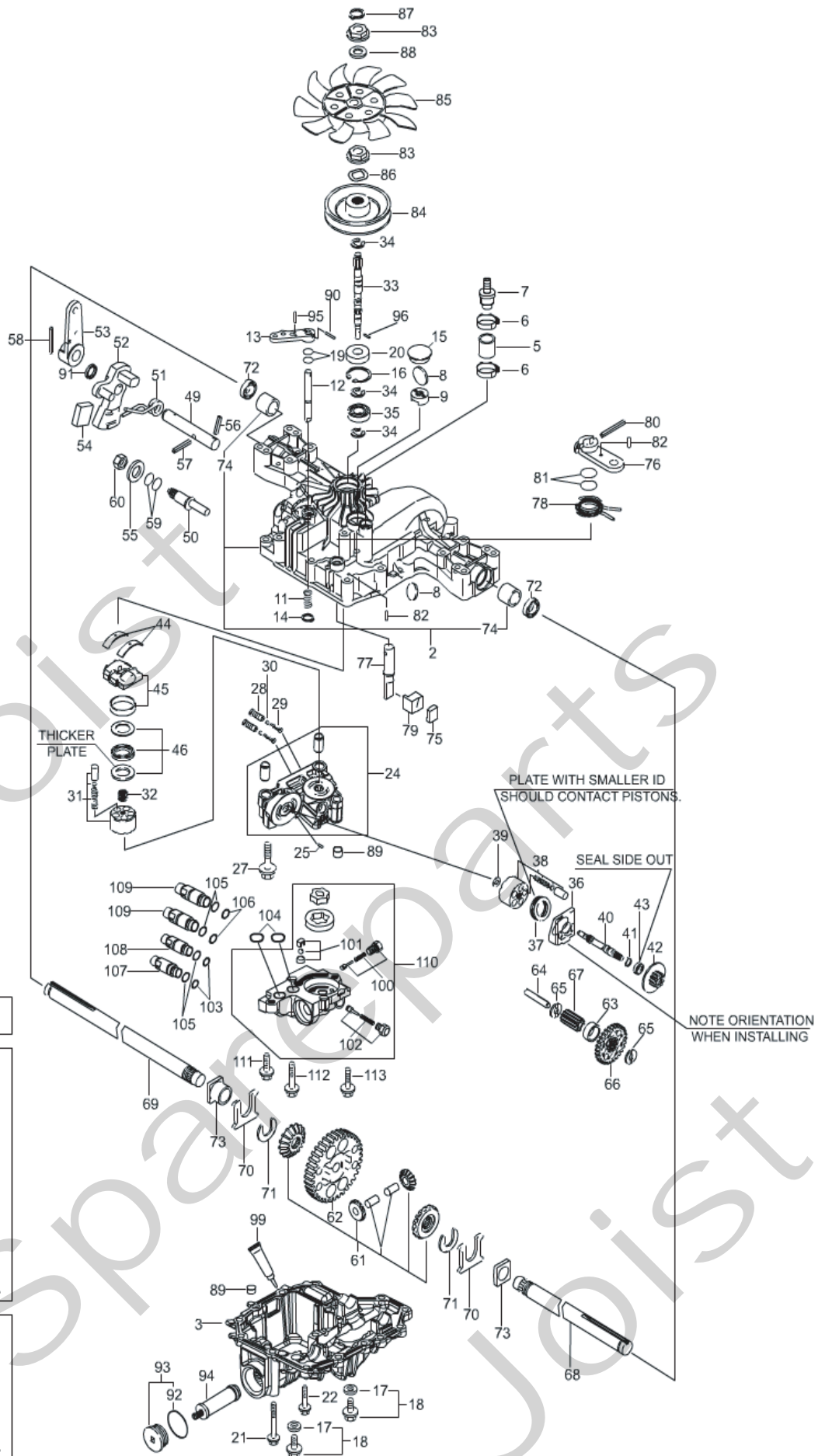


Utgåva Issue 2009- 11		Bildnr Picture No 2217		KANZAKI TRANSAXEL KTM 10G		KANZAKI TRANSAXLE KTM 10G		Sida Page 434	
Pos. Fig.	Antal/Quantity				Art nr Part No	Benämning	Description	Sats Kit	Anmärkning Notes
	KTM 10G								
1	1				1134-5701-01	Motoraxel- bak.....	Motor shaft- rear.....		Kanzaki KTM 10G Inkl. pos 74
2	1				1139-1417-01	Hus- övre.....	Housing- upper.....		
3	1				1139-1418-01	Hus- nedre.....	Housing- lower.....		
4	1				1139-1123-01	Bult.....	Bolt.....		
5	1				1139-1383-01	Plåt.....	Vent port plate.....		
8	2				1139-1150-01	Magnet.....	Magnet.....		
9	1				1139-1341-01	Hållare- magnet.....	Holder- magnet.....		
10	1				1139-1388-01	Bricka.....	Washer.....		
11	1				1139-1421-01	Fjäder.....	Spring.....		
12	1				1139-1420-01	By- passaxel.....	By- pass shaft.....		
13	1				1139-1189-01	Arm- bypass.....	Lever- bypass.....		
14	1				1139-1391-01	Låsring.....	Ring.....		
15	1				1139-1397-01	Tätningshuv.....	Sealing cap.....		
16	2				1139-1444-01	Låsring.....	Ring.....		
17	1				1139-1280-01	Stift.....	Pin.....		
19	2				1139-1114-01	O- ring.....	O- ring.....		
21	3				1139-1291-01	Bult.....	Bolt.....		
22	11				1139-1448-01	Bult.....	Bolt.....		
23	1				1139-1103-01	Tätningbricka.....	Seal washer.....		
24	1				1139-1503-01	Centrumhus.....	Center case.....		
25	1				1139-1445-01	Tapp.....	Pin.....		
26	1				1139-1500-01	Dräneringsbult.....	Drain bolt kit.....		
27	2				1139-1449-01	Bult.....	Bolt.....		
28	2				1139-1446-01	Packning.....	Packing.....		
29	2				1139-1447-01	Tätningring.....	Seal.....		
30	2				1139-1423-01	Anslutning.....	Connector.....		
36	1				1139-1504-01	Motorhus.....	Motor housing.....		
37	1				1139-1438-01	Lager.....	Bearing.....		
38	1				1139-1509-01	Cylinderblock kpl.....	Cylinder block kit.....		
40	1				1139-1425-01	Motoraxel.....	Motor shaft.....		
42	1				1139-1442-01	Motordrev.....	Motor gear.....		
43	1				1139-1453-01	Lager.....	Bearing.....		
58	1				1139-1531-01	Hylsa.....	Collar.....		
59	1				1139-1435-01	Hylsa.....	Collar.....		
60	1				1139-1440-01	Axel.....	Pin.....		
61	1				1139-1439-01	Differentialdrev kpl.....	Differential gear kit.....		
62	1				1139-1429-01	Slutdrev.....	Final gear.....		
63	1				1139-1427-01	Hylsa.....	Collar.....		
64	1				1139-1256-01	Reduktionsaxel.....	Reduction shaft.....		
65	2				1139-1398-01	Bricka.....	Washer.....		
66	1				1139-1441-01	Reduktionsdrev.....	Reduction gear.....		
67	1				1139-1361-01	Slutdrev.....	Final pinion.....		
68	1				1139-1434-01	Hjulaxel.....	Axle.....		
69	1				1139-1433-01	Hjulaxel.....	Axle.....		
70	2				1139-1194-01	Tryckbricka.....	Thrust washer.....		
71	2				1139-1155-01	Låsring.....	Ring.....		
72	2				1139-1044-01	Tätning.....	Seal.....		
73	2				1139-1156-01	Bussning.....	Bushing.....		
74	2				1139-1415-01	• Bussning.....	• Bushing.....		
75	1				1139-1260-01	Bromssko.....	Brake shoe.....		
76	1				1139-1261-01	Bromsarm.....	Brake arm.....		
77	1				1139-1320-01	Bromsaxel.....	Brake shaft.....		
78	1				1139-1263-01	Returfjäder.....	Return spring.....		
79	1				1139-1264-01	Bromstryckare.....	Brake actuator.....		
80	1				1139-1282-01	Stift.....	Pin.....		
82	2				1139-1281-01	Stift.....	Pin.....		
83	1				1139-1450-01	Tätningshuv.....	Sealing cap.....		
99	1				1139-1443-01	Tätningmedel.....	Sealant.....		
200	1				1139-1437-01	Servicesats.....	Seal kit.....		



- 1- KTM10M Transmission
- 200- KTM10M Seal Kit
 - Kit Includes
 - #15 #29
 - #19 #72
 - #23 #99
 - #28
 - All parts may not be used.
- 201- KTM10M Repair Kit
 - Kit Includes
 - #24 #38
 - #200 - Seal Kit
 - All parts may not be used.

Utgåva Issue 2009- 11		Bildnr Picture No 2218		KANZAKI TRANSAXEL KTM 10M		KANZAKI TRANSAXLE KTM 10M		Sida Page 436	
Pos. Fig.	Antal/Quantity				Art nr Part No	Benämning	Description	Sats Kit	Anmärkning Notes
	KTM 10M								
1	1			1134-6029-01	Motoraxel- fram	Transaxle- front		Kanzaki KTM 10M Inkl. pos 74	
2	1			1139-1417-01	Hus- övre	Housing- upper			
3	1			1139-1418-01	Hus- nedre	Housing- lower			
4	1			1139-1123-01	Bult	Bolt			
5	1			1139-1384-01	Glidplåt	Skid plate			
8	2			1139-1150-01	Magnet	Magnet			
9	1			1139-1341-01	Hållare- magnet	Holder- magnet			
10	1			1139-1388-01	Bricka	Washer			
11	1			1139-1421-01	Fjäder	Spring			
12	1			1139-1420-01	By- passaxel	By- pass shaft			
13	1			1139-1189-01	Arm- bypass	Lever- bypass			
14	1			1139-1391-01	Låsring	Ring			
15	1			1139-1397-01	Tätningshuv	Sealing cap			
16	2			1139-1444-01	Låsring	Ring			
17	1			1139-1280-01	Stift	Pin			
19	2			1139-1114-01	O- ring	O- ring			
21	3			1139-1291-01	Bult	Bolt			
22	11			1139-1448-01	Bult	Bolt			
23	1			1139-1103-01	Tätningbricka	Seal washer			
24	1			1139-1503-01	Centrumhus	Center case			
25	1			1139-1445-01	Tapp	Pin			
26	1			1139-1500-01	Dräneringsbult	Drain bolt kit			
27	2			1139-1449-01	Bult	Bolt			
28	2			1139-1446-01	Packning	Packing			
29	2			1139-1447-01	Tätningring	Seal			
30	2			1139-1424-01	Anslutning	Connector			
36	1			1139-1504-01	Motorhus	Motor housing			
37	1			1139-1438-01	Lager	Bearing			
38	1			1139-1509-01	Cylinderblock kpl	Cylinder block kit			
40	1			1139-1425-01	Motoraxel	Motor shaft			
42	1			1139-1451-01	Bromsskiva	Brake disc			
43	1			1139-1453-01	Lager	Bearing			
47	1			1139-1426-01	Motordrev	Motor gear			
58	1			1139-1330-01	Hylsa	Collar			
59	1			1139-1435-01	Hylsa	Collar			
60	1			1139-1440-01	Axel	Pin			
61	1			1139-1439-01	Differentialdrev kpl	Differential gear kit			
62	1			1139-1429-01	Slutdrev	Final gear			
63	1			1139-1427-01	Hylsa	Collar			
64	1			1139-1256-01	Reduktionsaxel	Reduction shaft			
65	2			1139-1398-01	Bricka	Washer			
66	1			1139-1430-01	Reduktionsdrev	Reduction gear			
67	1			1139-1361-01	Slutdrev	Final pinion			
68	1			1139-1432-01	Hjulaxel	Axle			
69	1			1139-1431-01	Hjulaxel	Axle			
70	2			1139-1194-01	Tryckbricka	Thrust washer			
71	2			1139-1155-01	Låsring	Ring			
72	2			1139-1044-01	Tätning	Seal			
73	2			1139-1156-01	Bussning	Bushing			
74	2			1139-1415-01	Bussning	Bushing			
75	1			1139-1260-01	Bromssko	Brake shoe			
83	1			1139-1450-01	Tätningshuv	Sealing cap			
99	1			1139-1443-01	Tätningmedel	Sealant			
200	1			1139-1436-01	Servicesats	Seal kit			



1- K574F Transmission

K574F Seal Kit

Kit Includes

#19	#92
#20	#94
#23	#99
#30	#103
#59	#104
#72	#105
#81	#106
#91	

All parts may not be used.

K574F Repair Kit

Kit Includes

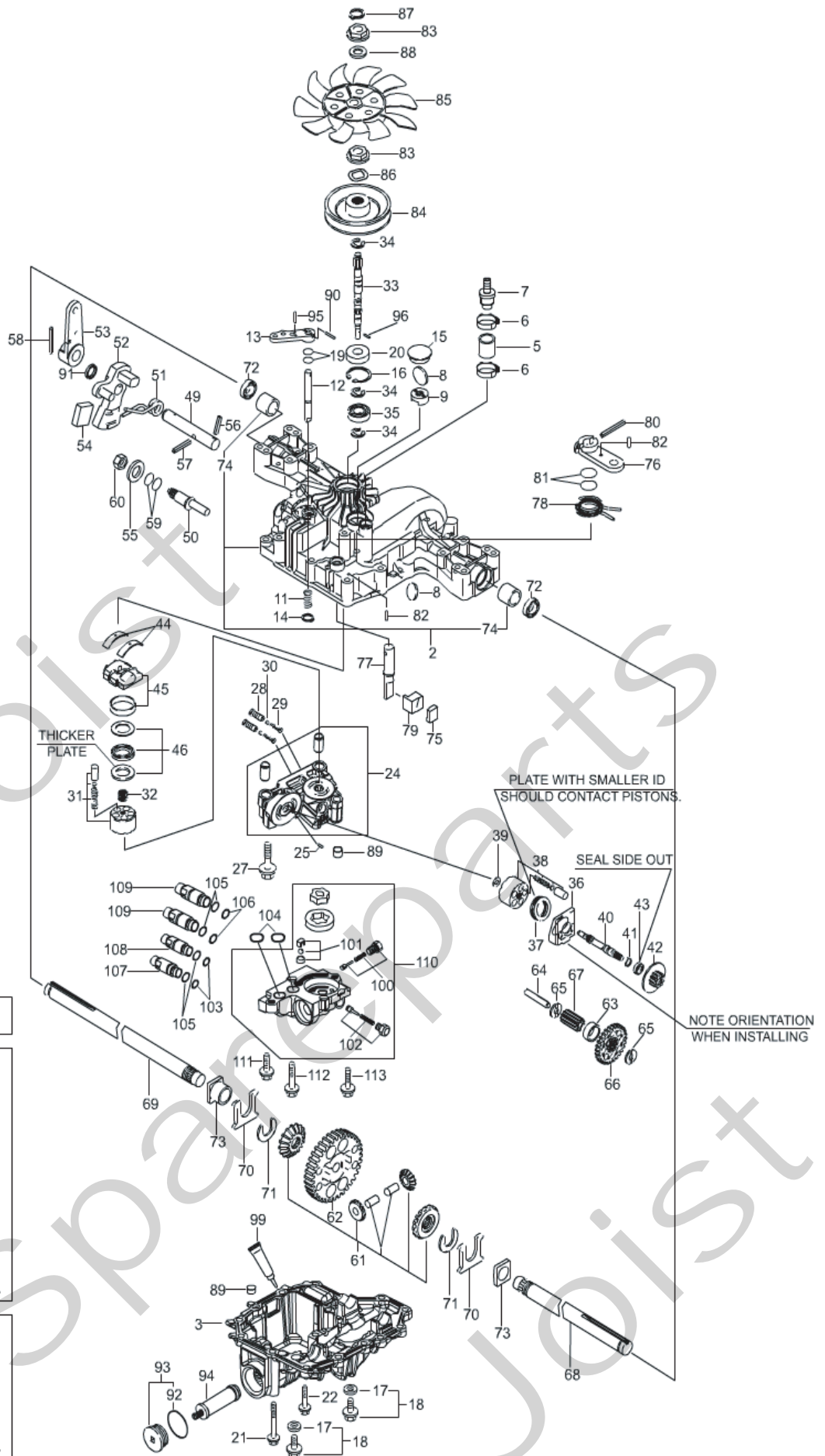
#24	#38
#31	
#200-Seal Kit	

All parts may not be used.

200-

201-

Utgåva Issue 2009- 11		Bildnr Picture No 2220		KANZAKI TRANSAXEL K574F		KANZAKI TRANSAXLE K574F		Sida Page 438	
Pos. Fig.	Antal/Quantity				Art nr Part No	Benämning	Description	Sats Kit	Anmärkning Notes
	574F								
1	1				1134-6129-01	Transaxel kpl.....	Transaxle assy.....		Kanzaki K574F Inkl. pos 74
2	1				1139-1470-01	Hus- övre	Housing- upper		
3	1				1139-1456-01	Hus- nedre	Housing- lower		
5	1				1139-1301-01	Rör	Tube		
6	2				1139-1336-01	Slangklämma.....	Hose clamp		
7	1				1139-1306-01	Adapter.....	Adapter		
8	2				1139-1150-01	Magnet	Magnet		
9	1				1139-1341-01	Hållare- magnet	Holder- magnet		
11	1				1139-1347-01	Fjäder.....	Spring		
12	1				1139-1251-01	Axel- bypass	Shaft- bypass		
13	1				1139-1189-01	Arm- bypass	Lever- bypass		
14	1				1139-1161-01	Låsring	Ring		
15	1				1139-1275-01	Plugg.....	Bore plug		
16	1				1139-1104-01	Låsring	Snap ring		
17	2				1139-1103-01	• Tätningbricka	• Seal washer		
18	2				1139-1500-01	Dräneringskruv	Drain bolt kit	Inkl. pos 17	
20	1				1139-1119-01	Tätning	Seal		
21	4				1139-1473-01	Bult.....	Bolt		
22	12				1139-0244-01	Skruv.....	Tapping screw		
24	1				1139-1465-01	Centrumhus.....	Center case		
25	1				1139-1158-01	Stift.....	Pin		
27	2				1139-1294-01	Bult.....	Bolt		
28	2				1139-1468-01	Ventil	IDS valve.....		
29	2				1139-1243-01	Fjäder.....	Spring		
30	2				1139-1307-01	Filter	Filter		
31	1				1139-1356-01	Cylinderblock kpl	Cylinder block assy		
32	1				1139-1245-01	Fjäder.....	Spring		
33	1				1139-1528-01	Pumpaxel.....	Pump shaft kit		
34	3				1139-1146-01	Låsring	Ring		
35	1				1139-1110-01	Kullager	Ball bearing		
36	1				1139-1458-01	Hus	Housing		
37	1				1139-1438-01	Lager	Bearing.....		
38	1				1139-1454-01	Cylinderblock.....	Cylinder block		
39	1				1139-1160-01	Bricka	Washer		
40	1				1139-1353-01	Motoraxel	Motor shaft		
41	1				1139-1021-01	Låsring	Snap ring		
42	1				1139-1272-01	Motordrev.....	Motor gear		
43	1				1139-1453-01	Lager	Bearing.....		
44	2				1139-1066-01	Tryckplatta	Metal thrust.....		
45	1				1139-1597-01	Stänkplatta kpl	Swash plate assy		
46	1				1139-1508-01	Lager	Thrust bearing kit.....		
49	1				1139-1354-01	Regleraxel.....	Control shaft		
50	1				1139-1410-01	Excenter.....	Fulcrum.....		
51	1				1139-1312-01	Fjäder.....	Spring		
52	1				1139-1409-01	Reglerarm.....	Control arm.....		
53	1				1139-1325-01	Reglerarm.....	Control lever		
54	1				1139-1596-01	Ryckplatta.....	Jerky plate.....		
55	1				1139-1102-01	Bricka	Washer.....		
56	1				1139-1355-01	Saxpinne.....	Cotter pin		
57	1				1139-1329-01	Stift.....	Pin		
58	1				1139-1285-01	Stift.....	Pin		
60	1				1139-1127-01	Mutter.....	Nut		
61	1				1139-1404-01	Differentialdrev kpl	Differential gear kit.....		
62	1				1139-1258-01	Slutdrev	Final gear		
63	1				1139-1255-01	Hylsa	Collar		
64	1				1139-1256-01	Reduktionsaxel	Reduction shaft.....		
65	2				1139-1398-01	Bricka	Washer.....		
66	1				1139-1267-01	Reduktionsdrev	Reduction gear.....		
67	1				1139-1361-01	Slutdrev	Final pinion		
68	1				1139-1344-01	Hjulaxel- vä	Axle shaft- left		
69	1				1139-1345-01	Hjulaxel- hö	Axle shaft- right.....		
70	2				1139-1078-01	Tryckbricka	Thrust washer		
71	2				1139-1163-01	Låsring	Ring		



1- K574F Transmission

K574F Seal Kit

Kit Includes

- | | |
|-----|------|
| #19 | #92 |
| #20 | #94 |
| #23 | #99 |
| #30 | #103 |
| #59 | #104 |
| #72 | #105 |
| #81 | #106 |
| #91 | |

All parts may not be used.

K574F Repair Kit

Kit Includes

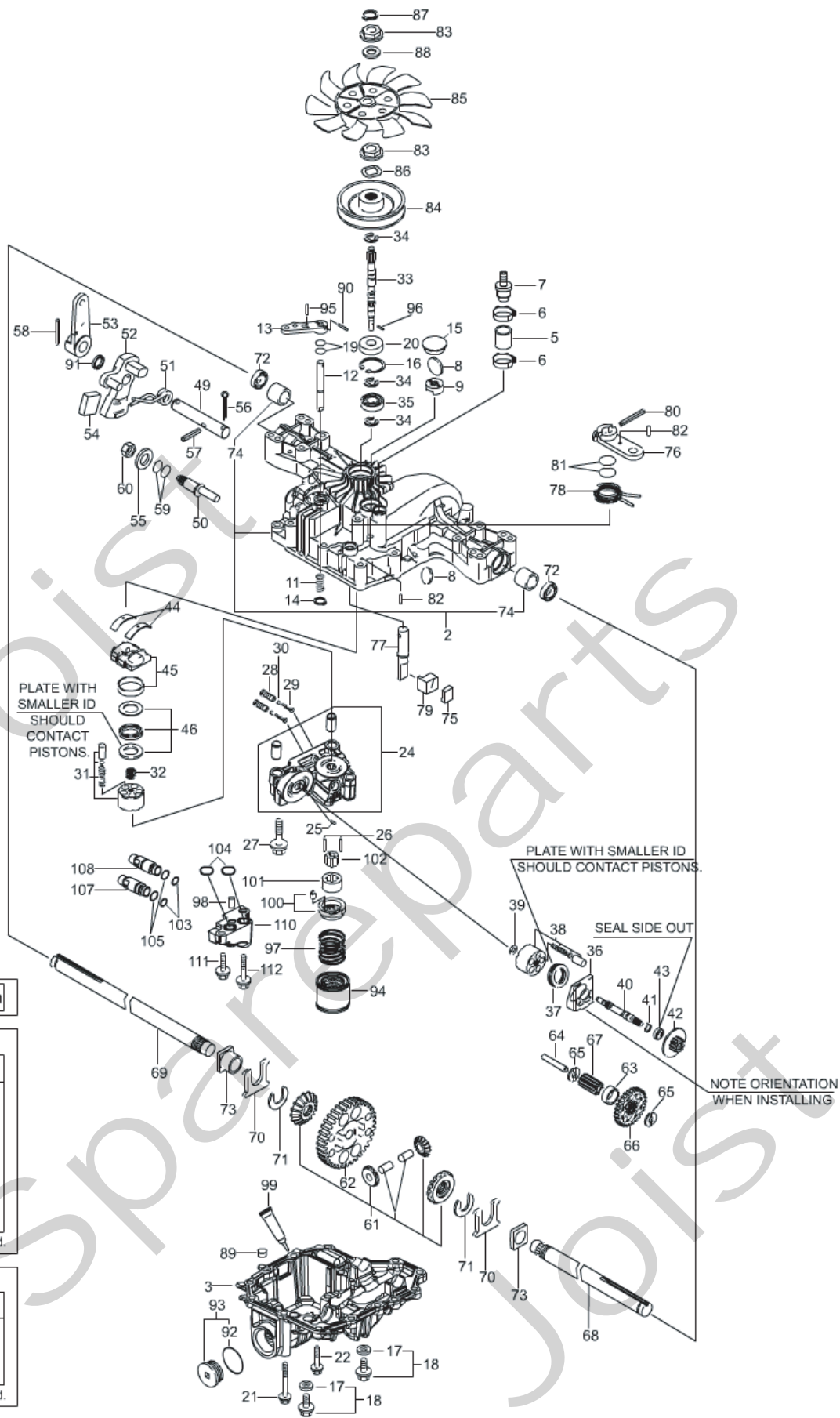
- | | |
|---------------|-----|
| #24 | #38 |
| #31 | |
| #200-Seal Kit | |

All parts may not be used.

200-

201-

Utgåva Issue 2009- 11		Bildnr Picture No 2220		KANZAKI TRANSAXEL K574F		KANZAKI TRANSAXLE K574F		Sida Page 440	
Pos. Fig.	Antal/Quantity				Art nr Part No	Benämning	Description	Sats Kit	Anmärkning Notes
	574F								
72	2				1139-1080-01	Tätning	Seal		
73	2				1139-1164-01	Bussning	Bushing		
74	2				1139-1414-01	• Bussning	• Bushing		
75	1				1139-1260-01	Bromssko	Brake shoe		
76	1				1139-1261-01	Bromsarm	Brake arm		
77	1				1139-1320-01	Bromsaxel	Brake shaft		
78	1				1139-1411-01	Returfjäder	Return spring		
79	1				1139-1264-01	Bromstryckare	Brake actuator		
80	1				1139-1282-01	Stift	Pin		
82	2				1139-1281-01	Stift	Pin		
83	2				1139-1248-01	Krage	Spline collar		
84	1				1139-1469-01	Remskiva	Pulley		
85	1				1134-4190-01	Fläkt	Fan		
86	1				1139-1266-01	Låsbricka	Lock washer		
87	1				1139-1149-01	Låsring	Snap ring		
88	1				1139-1276-01	Bricka	Collar		
89	4				1139-1166-01	Tapp	Pin		
90	1				1139-1280-01	Stift	Pin		
91	1				1139-1303-01	Tätningssats	Oil seal		
92	1				1139-1534-01	• O-ring	• O-ring		
93	1				1139-1510-01	Lock	Cap kit		Inkl. pos 92
94	1				1139-1186-01	Filter	Filter		
95	1				1139-1279-01	Stift	Pin		
96	1				1139-1148-01	Stift	Pin		
99	1				1139-1443-01	Tätningssats	Sealant		
100	1				1139-1462-01	• Ventil	• Valve		
101	1				1139-1234-01	• Ventil kpl	• Check assy		
102	1				1139-1463-01	• Ventil	• Valve		
105	1				1139-0239-01	O-ring	O-ring		
106	2				1139-1168-01	Packning	Packing		
107	1				1139-1459-01	Nippel	Piping		
108	1				1139-1460-01	Nippel	Piping		
109	2				1139-1464-01	Anslutning	Connector		
110	1				1139-1526-01	Pumphus kpl	Pump case kit		Inkl. pos 101 - 102
111	1				1139-1472-01	Bult	Bolt		
112	1				1139-1455-01	Skruv	Tapping screw		
113	1				1139-1471-01	Bult	Bolt		
200	1				1139-1481-01	Servicesats	Seal kit		
201	1				1139-1527-01	Reparationssats	Repair kit		



1- K574G Transmission

K574G Seal Kit

Kit Includes

#17	#91
#19	#92
#20	#94
#30	#99
#59	#103
#72	#104
#81	#105

All parts may not be used.

200-

K574G Repair Kit

Kit Includes

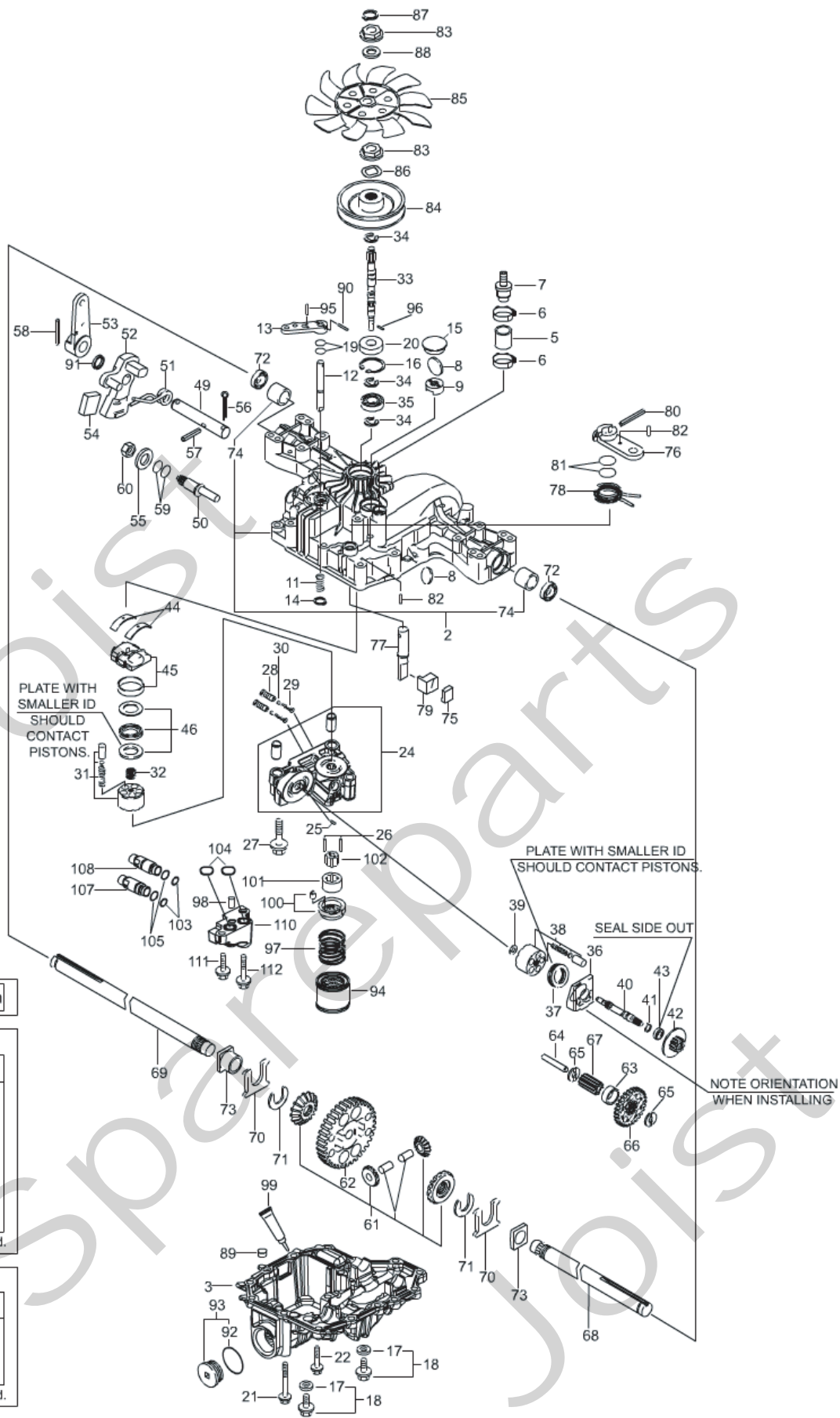
#24	#38
#31	

#200-Seal Kit

All parts may not be used.

201-

Utgåva Issue 2009- 11		Bildnr Picture No 2221		KANZAKI TRANSAXEL K574G		KANZAKI TRANSAXLE K574G		Sida Page 442	
Pos. Fig.	Antal/Quantity				Art nr Part No	Benämning	Description	Sats Kit	Anmärkning Notes
	574G								
1	1				1134-6394-01	Transaxel kpl.....	Transaxle assy.....		Kanzaki K574G Inkl. pos 74
2	1				1139-1470-01	Hus- övre	Housing- upper		
3	1				1139-1456-01	Hus- nedre	Housing- lower		
5	1				1139-1301-01	Rör	Tube		
6	2				1139-1336-01	Slangklämma.....	Hose clamp		
7	1				1139-1306-01	Adapter.....	Adapter		
8	2				1139-1150-01	Magnet	Magnet		
9	1				1139-1341-01	Hållare- magnet	Holder- magnet		
11	1				1139-1347-01	Fjäder.....	Spring		
12	1				1139-1251-01	Axel- bypass	Shaft- bypass		
13	1				1139-1189-01	Arm- bypass	Lever- bypass.....		
14	1				1139-1161-01	Låsring	Ring		
15	1				1139-1275-01	Plugg.....	Bore plug		
16	1				1139-1104-01	Låsring	Snap ring		
17	2				1139-1103-01	• Tätningbricka	• Seal washer.....		
18	2				1139-1500-01	Dräneringskruv	Drain bolt kit	Inkl. pos 17	
20	1				1139-1119-01	Tätning	Seal		
21	4				1139-1473-01	Bult.....	Bolt		
22	12				1139-0244-01	Skruv.....	Tapping screw.....		
24	1				1139-1487-01	Centrumhus.....	Center case		
25	1				1139-1158-01	Stift.....	Pin		
26	2				1139-1497-01	Stift.....	Pin		
27	2				1139-1294-01	Bult.....	Bolt		
28	2				1139-1468-01	Ventil	IDS valve.....		
29	2				1139-1243-01	Fjäder.....	Spring		
30	2				1139-1307-01	Filter	Filter		
31	1				1139-1356-01	Cylinderblock kpl	Cylinder block assy		
32	1				1139-1245-01	Fjäder.....	Spring		
33	1				1139-1493-01	Pumpaxel.....	Pump shaft		
34	3				1139-1146-01	Låsring	Ring		
35	1				1139-1110-01	Kullager	Ball bearing		
36	1				1139-1458-01	Hus.....	Housing		
37	1				1139-1438-01	Lager	Bearing.....		
38	1				1139-1454-01	Cylinderblock.....	Cylinder block		
39	1				1139-1160-01	Bricka	Washer.....		
40	1				1139-1353-01	Motoraxel	Motor shaft		
41	1				1139-1021-01	Låsring	Snap ring		
42	1				1139-1272-01	Motordrev.....	Motor gear		
43	1				1139-1453-01	Lager	Bearing.....		
44	2				1139-1066-01	Tryckplatta	Metal thrust.....		
45	1				1139-1597-01	Stänklatta kpl	Swash plate assy		
46	1				1139-1508-01	Lager	Thrust bearing kit.....		
49	1				1139-1354-01	Regleraxel.....	Control shaft		
50	1				1139-1410-01	Excenter.....	Fulcrum.....		
51	1				1139-1312-01	Fjäder.....	Spring		
52	1				1139-1409-01	Reglerarm.....	Control arm.....		
53	1				1139-1325-01	Reglerarm.....	Control lever		
54	1				1139-1596-01	Ryckplatta.....	Jerky plate.....		
55	1				1139-1102-01	Bricka	Washer.....		
56	1				1139-1355-01	Saxpinne.....	Cotter pin		
57	1				1139-1329-01	Stift.....	Pin		
58	1				1139-1285-01	Stift.....	Pin		
60	1				1139-1127-01	Mutter.....	Nut.....		
61	1				1139-1404-01	Differentialdrev kpl	Differential gear kit.....		
62	1				1139-1258-01	Slutdrev	Final gear		
63	1				1139-1255-01	Hylsa	Collar		
64	1				1139-1256-01	Reduktionsaxel	Reduction shaft.....		
65	2				1139-1398-01	Bricka	Washer.....		
66	1				1139-1267-01	Reduktionsdrev	Reduction gear.....		
67	1				1139-1361-01	Slutdrev	Final pinion		
68	1				1139-1344-01	Hjulaxel- vä	Axle shaft- left.....		
69	1				1139-1345-01	Hjulaxel- hö	Axle shaft- right.....		
70	2				1139-1078-01	Tryckbricka	Thrust washer		



1- K574G Transmission

K574G Seal Kit

Kit Includes

#17	#91
#19	#92
#20	#94
#30	#99
#59	#103
#72	#104
#81	#105

All parts may not be used.

200-

K574G Repair Kit

Kit Includes

#24	#38
#31	

#200-Seal Kit

All parts may not be used.

201-

Utgåva Issue 2009- 11		Bildnr Picture No 2221		KANZAKI TRANSAXEL K574G		KANZAKI TRANSAXLE K574G		Sida Page 444	
Pos. Fig.	Antal/Quantity				Art nr Part No	Benämning	Description	Sats Kit	Anmärkning Notes
	574G								
71	2				1139-1163-01	Låsring	Ring		
72	2				1139-1080-01	Tätning	Seal		
73	2				1139-1164-01	Bussning	Bushing		
74	2				1139-1414-01	• Bussning	• Bushing		
75	1				1139-1260-01	Bromssko	Brake shoe		
76	1				1139-1261-01	Bromsarm	Brake arm		
77	1				1139-1320-01	Bromsaxel	Brake shaft		
78	1				1139-1411-01	Returfjäder	Return spring		
79	1				1139-1264-01	Bromstryckare	Brake actuator		
80	1				1139-1282-01	Stift	Pin		
82	2				1139-1281-01	Stift	Pin		
83	2				1139-1248-01	Krage	Spline collar		
84	1				1139-1469-01	Remskiva	Pulley		
85	1				1134-4190-01	Fläkt	Fan		
86	1				1139-1266-01	Låsbricka	Lock washer		
87	1				1139-1149-01	Låsring	Snap ring		
88	1				1139-1276-01	Bricka	Collar		
89	4				1139-1166-01	Tapp	Pin		
90	1				1139-1280-01	Stift	Pin		
91	1				1139-1303-01	Tätningssats	Oil seal		
92	1				1139-1534-01	• O-ring	• O-ring		
93	1				1139-1510-01	Lock	Cap kit		Inkl. pos 92
94	1				1139-1488-01	Filter	Filter		
95	1				1139-1279-01	Stift	Pin		
96	1				1139-1148-01	Sprint	Pin		
97	1				1139-1492-01	Fjäder	Charge spring		
98	1				1139-1496-01	Pinne	Parallell pin		
99	1				1139-1443-01	Tätningssats	Sealant		
100	1				1139-1494-01	Pumphus	Pump case kit		
101	1				1139-1490-01	Rotor- yttre	Rotor- outer		
102	1				1139-1489-01	Rotor- inre	Rotor- inner		
104	1				1139-1013-01	O- ring	O- ring		
105	2				1139-0239-01	Packning	Packing		
107	1				1139-1459-01	Nippel	Piping		
108	1				1139-1460-01	Nippel	Piping		
110	1				1139-1505-01	Hydraulportblock	Hydraulic port block		
111	1				1139-1472-01	Bult	Bolt		
112	1				1139-1455-01	Skruv	Tapping screw		
113	1				1139-1471-01	Bult	Bolt		
200	1				1139-1506-01	Tätningssats	Seal kit		
201	1				1139-1507-01	Rep.sats	Repair kit		