

# Genuine Spare Parts

www.stiga.com

## SB 29 S Model Year 2012

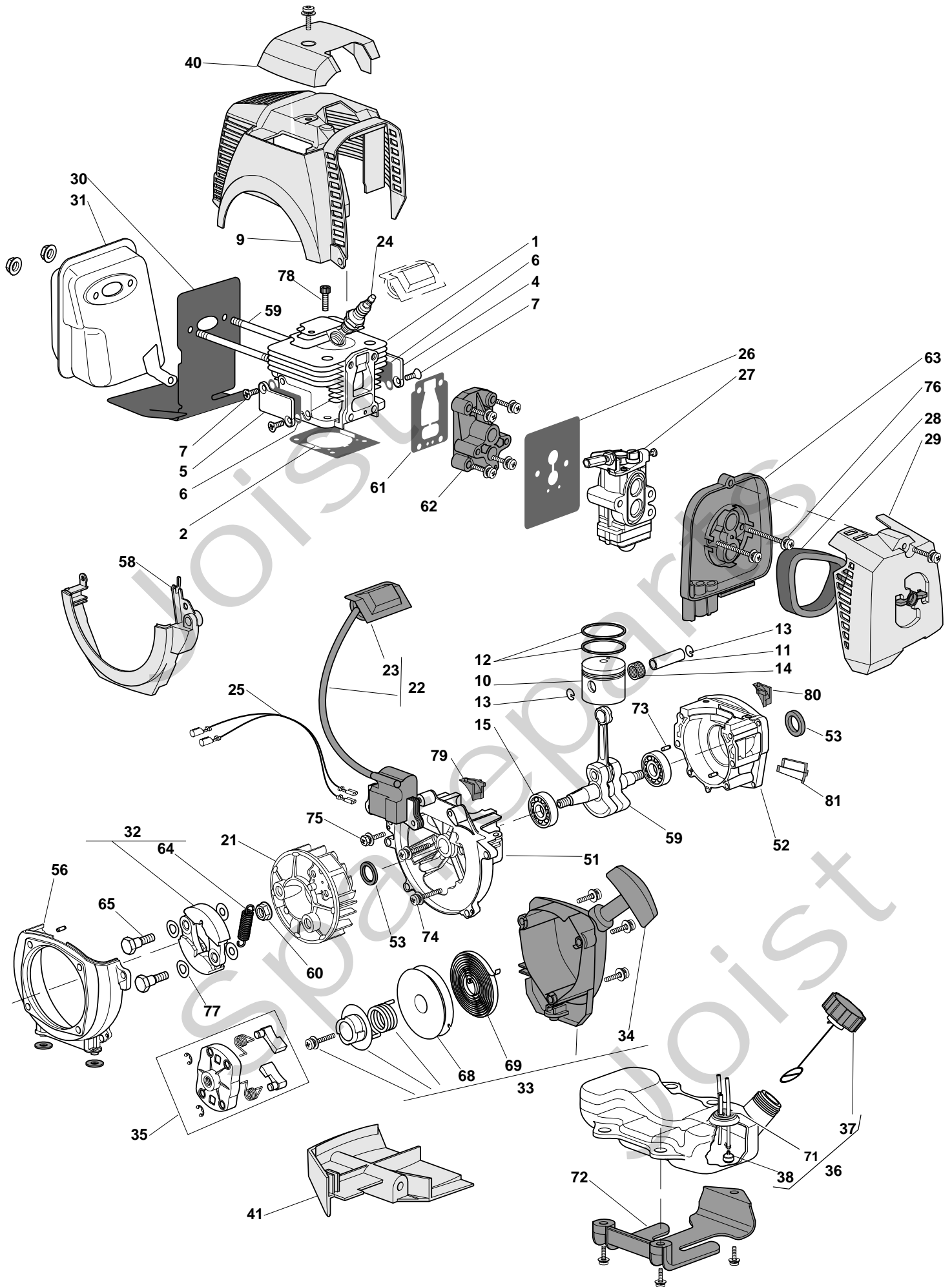
- Use GLOBAL GARDEN PRODUCT Genuine Spare Parts specified in the parts list for repair and/or replacement.
- The contents described in the parts list may change due to improvement.
- The drawings of the spare parts are only indicative and might not represent the part in question exactly.
- The indications "right" - "left" - "front" - "rear" refer to the position of the operator when using the machine.
- When placing orders of parts for repair and/or replacement, make sure that the illustrated parts list is the one applying to the machine's year of manufacture, as shown on the identification plate attached to the machine.

© Copyright 2012 Global Garden Products

All content is subject to copyright by Global Garden Products and may not be reproduced in whole or in part by any means, electronic or otherwise, without prior written approval.

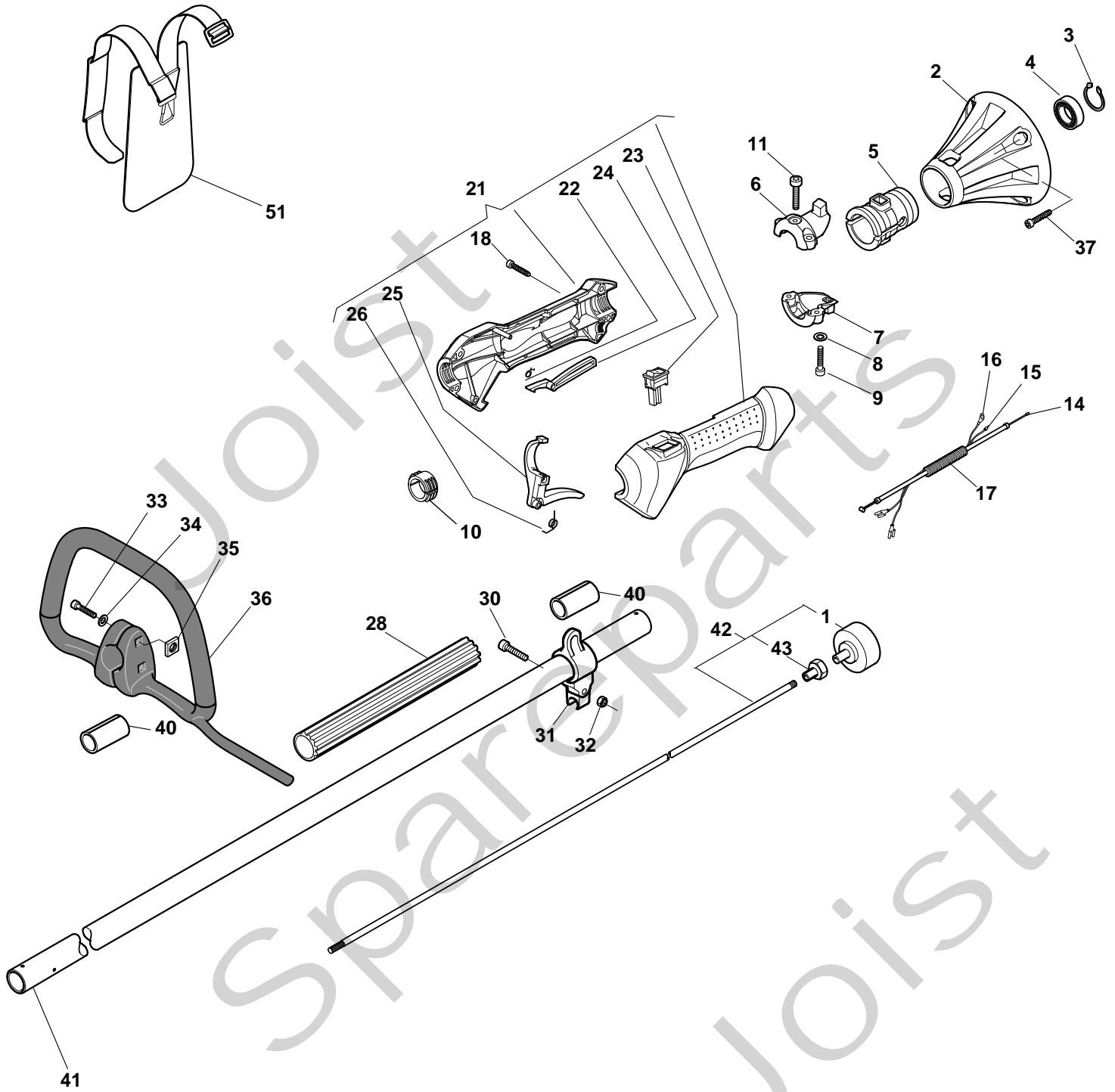
THIS INFORMATION IS NOT INTENDED FOR SALE OR RESALE, AND THIS NOTICE MUST REMAIN ON ALL COPIES.





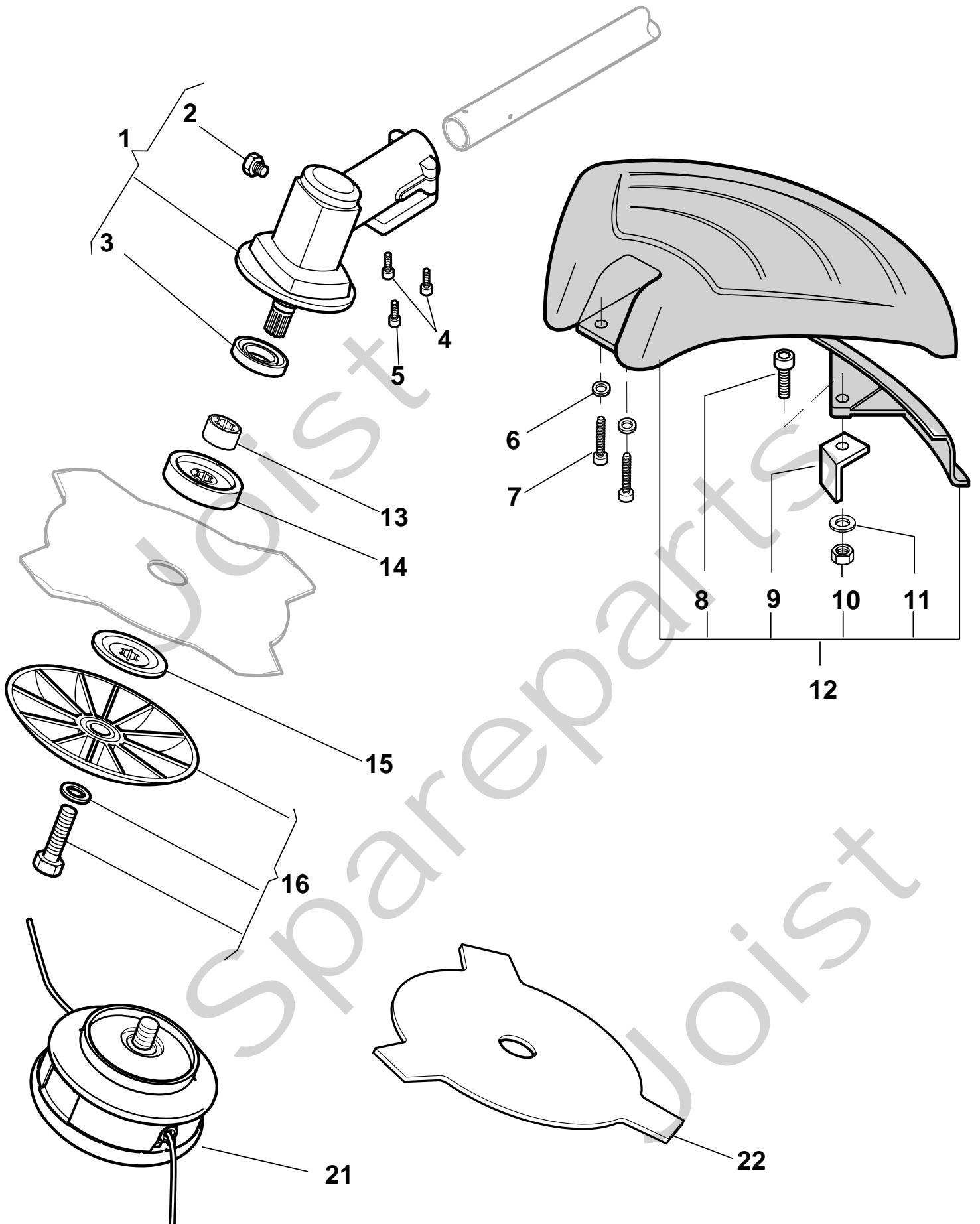


| Pos. Fig. | Antal Quantity | Art No Part No | Benämning       | Description              | Anmärkning Notes |
|-----------|----------------|----------------|-----------------|--------------------------|------------------|
| 1         | 1              | 123071019/0    | Cylinder        | Cylinder                 |                  |
| 2         | 1              | 123280056/0    | Cylinderkåpa    | Cylinder Gasket          |                  |
| 4         | 1              | 123109568/0    | Kåpa            | Cover                    |                  |
| 5         | 1              | 123109569/0    | Kåpa            | Cover                    |                  |
| 6         | 2              | 123280032/0    | Packning        | Gasket                   |                  |
| 7         | 4              | 123878054/0    | Skruv           | Screw                    |                  |
| 9         | 1              | 323106019/0    | Motorlucka      | Yellow Cylinder Cover    |                  |
| 10        | 1              | 123590004/0    | Kolv            | Piston                   |                  |
| 11        | 1              | 123760001/0    | Kolvbult        | Piston Pin               |                  |
| 12        | 2              | 123204007/0    | Kolvring        | Piston Ring              |                  |
| 13        | 2              | 123202002/0    | Låsring         | Washer, Piston Pin       |                  |
| 14        | 1              | 123235003/0    | Nållager        | Needle Bearing           |                  |
| 15        | 2              | 114215215/0    | Kullager        | Bearing                  |                  |
| 21        | 1              | 123880005/0    | Svängjul        | Flywheel                 |                  |
| 22        | 1              | 123044012/0    | Elektron kspole | Electronic Coil          |                  |
| 23        | 1              | 323053003/0    | Tändstiftshatt  | Spark Plug Cover         |                  |
| 24        | 1              | 3210024        | Tändstift       | Spark Plug               |                  |
| 25        | 1              | 183065028/0    | Jordkabel       | Earth Cable              |                  |
| 26        | 1              | 123280033/0    | Packning        | Intake-Carb Gasket       |                  |
| 27        | 1              | 123054029/0    | Förgasare       | Carburettor              |                  |
| 28        | 1              | 123220009/0    | Luftfilter      | Air Filter               |                  |
| 29        | 1              | 183090007/0    | Luftfilterkåpa  | Filter Cover, Yellow     |                  |
| 30        | 1              | 123280028/0    | Packning        | Gasket                   |                  |
| 31        | 1              | 183740013/0    | Ljuddämpare     | Muffler                  |                  |
| 32        | 1              | 183215005/0    | Koppling kpl    | Clutch Ass.Y             |                  |
| 33        | 1              | 183058034/0    | Start kpl       | Starter Ass.Y            |                  |
| 34        | 1              | 123300007/0    | Starthandtag    | Starter Handle           |                  |
| 35        | 1              | 123082002/0    | Startkopp       | Starter Cup Ass.Y        |                  |
| 36        | 1              | 183733005/0    | Bränsletank     | Fuel Tank Ass.Y          |                  |
| 37        | 1              | 183790008/0    | Tanklock        | Fuel Cap Ass.Y           |                  |
| 38        | 1              | 183520004/0    | Bränslefilter   | Intake Filter            |                  |
| 39        | 2              | 123878061/0    | Stud Skruv      | Double-Screw Bolt        |                  |
| 40        | 1              | 323109543/0    | Tändstiftshatt  | Yellow Cover, Spark Plug |                  |
| 41        | 1              | 323600056/0    | Skydd           | Lower Guard, Yellow      |                  |
| 51        | 1              | 123685005/0    | Vevhus          | Crank Case               |                  |
| 52        | 1              | 123685004/0    | Vevhus          | Crank Case               |                  |
| 53        | 2              | 119035160/0    | Tätningarring   | Seal Ring                |                  |
| 56        | 1              | 123208410/0    | Transm.stödhus  | Transm.Support Case      |                  |
| 58        | 1              | 323109542/0    | Kåpa            | Case, Yellow             |                  |
| 59        | 1              | 123020026/0    | Vevaxel         | Crankshaft               |                  |
| 60        | 1              | 123120005/0    | Mutter          | Nut                      |                  |
| 61        | 1              | 123280052/0    | Packning        | Intake Manif-Gasket      |                  |
| 62        | 1              | 123073510/0    | Insugningsrör   | Intake Manifold          |                  |
| 63        | 1              | 123040002/0    | Luftfilterstöd  | Air Cleaner Base         |                  |
| 64        | 1              | 123430586/0    | Fjäder          | Spring                   |                  |
| 65        | 2              | 123878059/0    | Skruv           | Screw                    |                  |
| 68        | 1              | 123604008/0    | Linhjul         | Starter Pulley           |                  |
| 69        | 1              | 123430589/0    | Startfjäder     | Spring                   |                  |
| 71        | 1              | 123275022/0    | Gummitätning    | Grommet Ass.Y            |                  |
| 72        | 1              | 123784005/0    | Skydd           | Guard                    |                  |
| 73        | 2              | 123753002/0    | Centrerstift    | Centring Pin             |                  |
| 74        | 3              | 123878066/0    | Skruv           | Screw                    |                  |
| 75        | 2              | 123878064/0    | Skruv           | Screw                    |                  |
| 76        | 2              | 123878065/0    | Skruv           | Screw                    |                  |
| 77        | 2              | 123657010/0    | Bricka          | Washer                   |                  |
| 78        | 4              | 123878063/0    | Skruv           | Screw                    |                  |
| 79        | 1              | 123294001/0    | Guide           | Guide                    |                  |
| 80        | 1              | 123294000/0    | Guide           | Guide                    |                  |
| 81        | 1              | 123109559/0    | Hjulskydd       | Guard                    |                  |





| Pos. Fig. | Antal Quantity | Art No Part No | Benämning          | Description                   | Anmärkning Notes |
|-----------|----------------|----------------|--------------------|-------------------------------|------------------|
| 1         | 1              | 4121881/1      | Kopplingshjul      | Clutch Drum                   |                  |
| 2         | 1              | 323782006/0    | Transmissionsstöd  | Support Trasm.Assy            |                  |
| 3         | 1              | 3353080        | Låsring            | Ring                          |                  |
| 4         | 1              | 3112170        | Kullager           | Bearing                       |                  |
| 5         | 1              | 323275018/0    | Gummihylsa         | Grommet                       |                  |
| 6         | 1              | 323720002/0    | Stöd               | Support                       |                  |
| 7         | 1              | 323720003/0    | Stöd               | Support                       |                  |
| 8         | 2              | 2370050        | Bricka             | Washer                        |                  |
| 9         | 2              | 2135030        | Skruv              | Screw                         |                  |
| 10        | 2              | 323655003/0    | Reduktion          | Reduction                     |                  |
| 11        | 1              | 2135010        | Skruv              | Screw                         |                  |
| 14        | 1              | 123066016/0    | Gaswire            | Wire Ass.Y                    |                  |
| 15        | 1              | 23065000/0     | Kabel              | Coil-Switch Cable             |                  |
| 16        | 1              | 23065014/0     | Jordkabel          | Earth Cable                   |                  |
| 17        | 1              | 23290000/0     | Kabelhölje         | Wire Sheath                   |                  |
| 18        | 4              | 123878055/0    | Skruv              | Screw                         |                  |
| 21        | 1              | 383300020/0    | Handtag            | Handle Ass.Y                  |                  |
| 22        | 1              | 3654300        | Fjäder             | Spring                        |                  |
| 23        | 1              | 3210970        | Brytare            | Stop Switch                   |                  |
| 24        | 1              | 323315075/0    | Säkerhetsspärr     | Safety Lever                  |                  |
| 25        | 1              | 323315074/0    | Gasreglage         | Throttle Lever                |                  |
| 26        | 1              | 3654270/1      | Fjäder Arm Gaswire | Spring                        |                  |
| 28        | 1              | 23170000/0     | Distans            | Spacer                        |                  |
| 30        | 1              | 2135040        | Skruv              | Screw                         |                  |
| 31        | 1              | 23780000/0     | Batteristöd        | Harness Support               |                  |
| 32        | 1              | 2412030        | Mutter             | Nut                           |                  |
| 33        | 2              | 2135050        | Skruv              | Screw                         |                  |
| 34        | 2              | 2312090        | Bricka             | Washer                        |                  |
| 35        | 2              | 2461030        | Mutter             | Nut                           |                  |
| 36        | 1              | 23300001/0     | Handtag-främre     | Front Handle                  |                  |
| 37        | 4              | 2132110        | Skruv              | Screw                         |                  |
| 40        | 2              | 3721410        | Rubber Facing      | Rubber Facing                 |                  |
| 41        | 1              | 383869067/0    | Drivaxelrör        | Transmission Pipe Ass.Y       |                  |
| 42        | 1              | 4251410        | Transmissionsaxel  | Transm.Shaft Ass.Y (Incl.8-9) |                  |
| 43        | 1              | 3642221        | Lagernav           | Bearing Hub                   |                  |
| 51        | 1              | 4253460        | Sele               | Harness Mod.31                |                  |





## SB 29 S

| Pos. Fig. | Antal Quantity | Art No Part No | Benämning        | Description                       | Anmärkning Notes |
|-----------|----------------|----------------|------------------|-----------------------------------|------------------|
| 1         | 1              | 4252770/2      | Snäckväxel kpl   | Gear Case Assy (Incl. 2÷21) [Ø24] |                  |
| 2         | 1              | 2653460        | Skruv            | Screw                             |                  |
| 3         | 1              | 3121180        | Tätningring      | Oil Seal                          |                  |
| 4         | 2              | 2135050        | Skruv            | Screw                             |                  |
| 5         | 1              | 2653090        | Skruv            | Screw                             |                  |
| 6         | 2              | 2312150        | Bricka           | Washer                            |                  |
| 7         | 2              | 2135060        | Skruv            | Screw                             |                  |
| 8         | 1              | 2135030        | Skruv            | Screw                             |                  |
| 9         | 1              | 3615000        | Kniv             | Line Cutter                       |                  |
| 10        | 1              | 12154330/0     | Mutter           | Nut                               |                  |
| 11        | 1              | 2312150        | Bricka           | Washer                            |                  |
| 12        | 1              | 8563570        | Stänkskydd kpl   | Safety Cover Ass.Y (Incl.40-43)   |                  |
| 13        | 1              | 3660680        | Hylsa            | Collar                            |                  |
| 14        | 1              | 3641650        | Ringmutter-övre  | Upper Ring Nut                    |                  |
| 15        | 1              | 3612650        | Ringmutter-nedre | Lower Ring Nut                    |                  |
| 16        | 1              | 4560610        | Stabilisator kpl | Stabilizer                        |                  |
| 21        | 1              | 4353240/1      | Skärhuvud kpl    | 2 Hedges Nylon Head               |                  |
| 22        | 1              | 6031172        | Röjklina         | 3 Teeth 25 Cm                     |                  |