

# Genuine Spare Parts

www.stiga.com

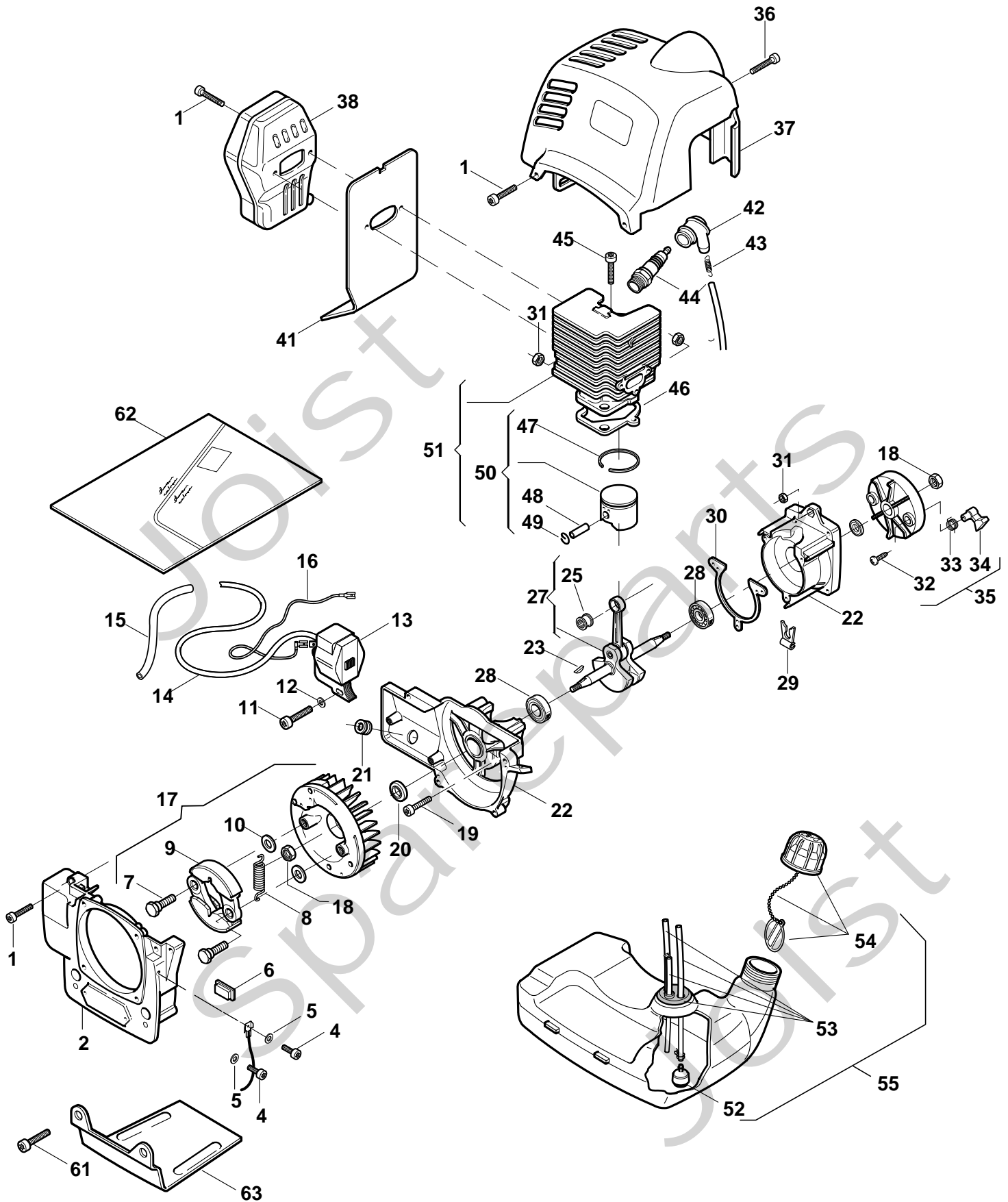
## SB40 Model Year 2011

- Use GLOBAL GARDEN PRODUCT Genuine Spare Parts specified in the parts list for repair and/or replacement.
- The contents described in the parts list may change due to improvement.
- The drawings of the spare parts are only indicative and might not represent the part in question exactly.
- The indications "right" - "left" - "front" - "rear" refer to the position of the operator when using the machine.
- When placing orders of parts for repair and/or replacement, make sure that the illustrated parts list is the one applying to the machine's year of manufacture, as shown on the identification plate attached to the machine.

COPYRIGHT by GLOBAL GARDEN PRODUCTS

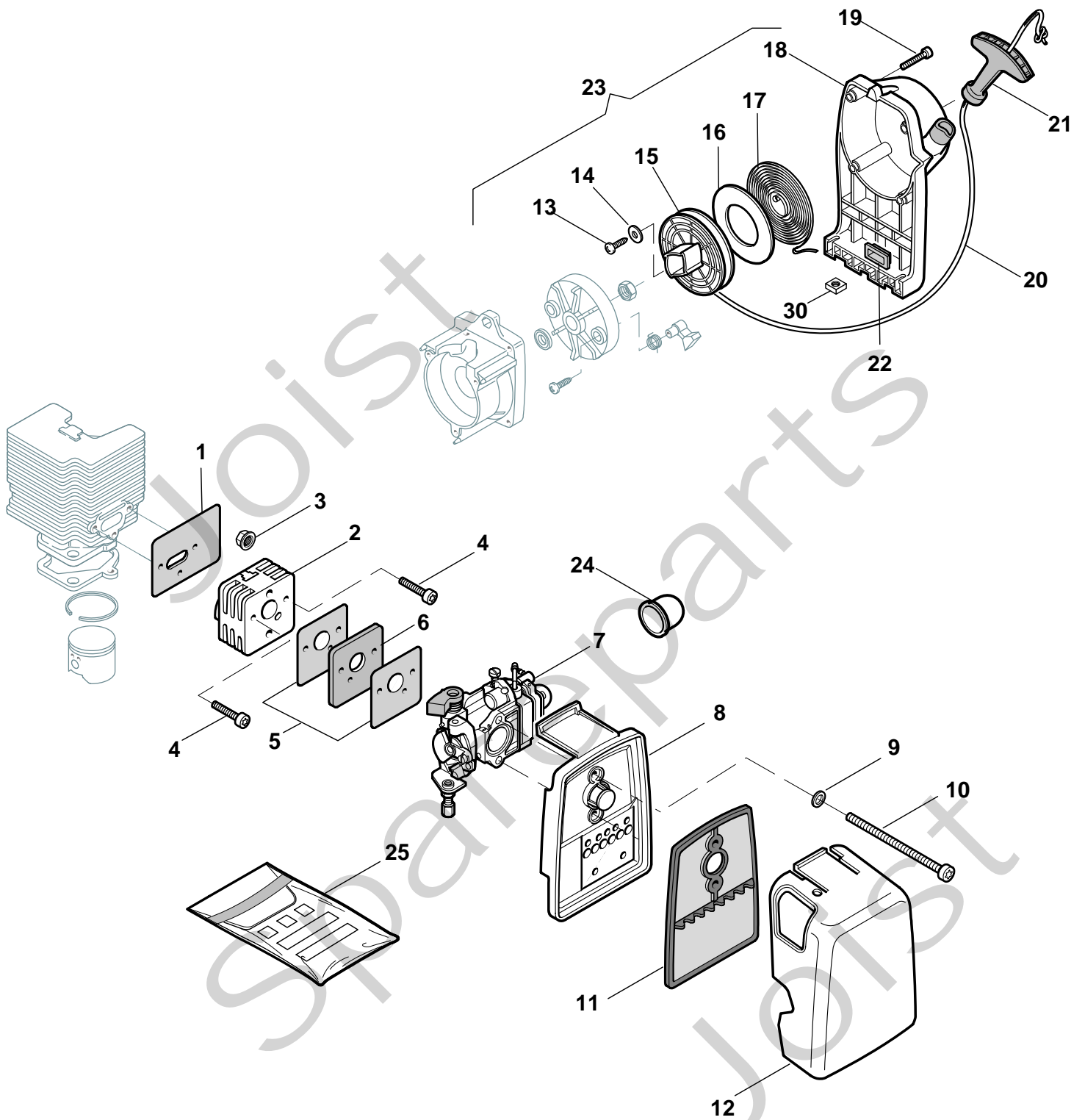
All rights reserved. No part of this material may be reproduced or transmitted, in any form or by any means, electronic or mechanical, including photocopying, recording or by any information storage and retrieval system, without permission in writing from GLOBAL GARDEN PRODUCTS.

**STIGA**®



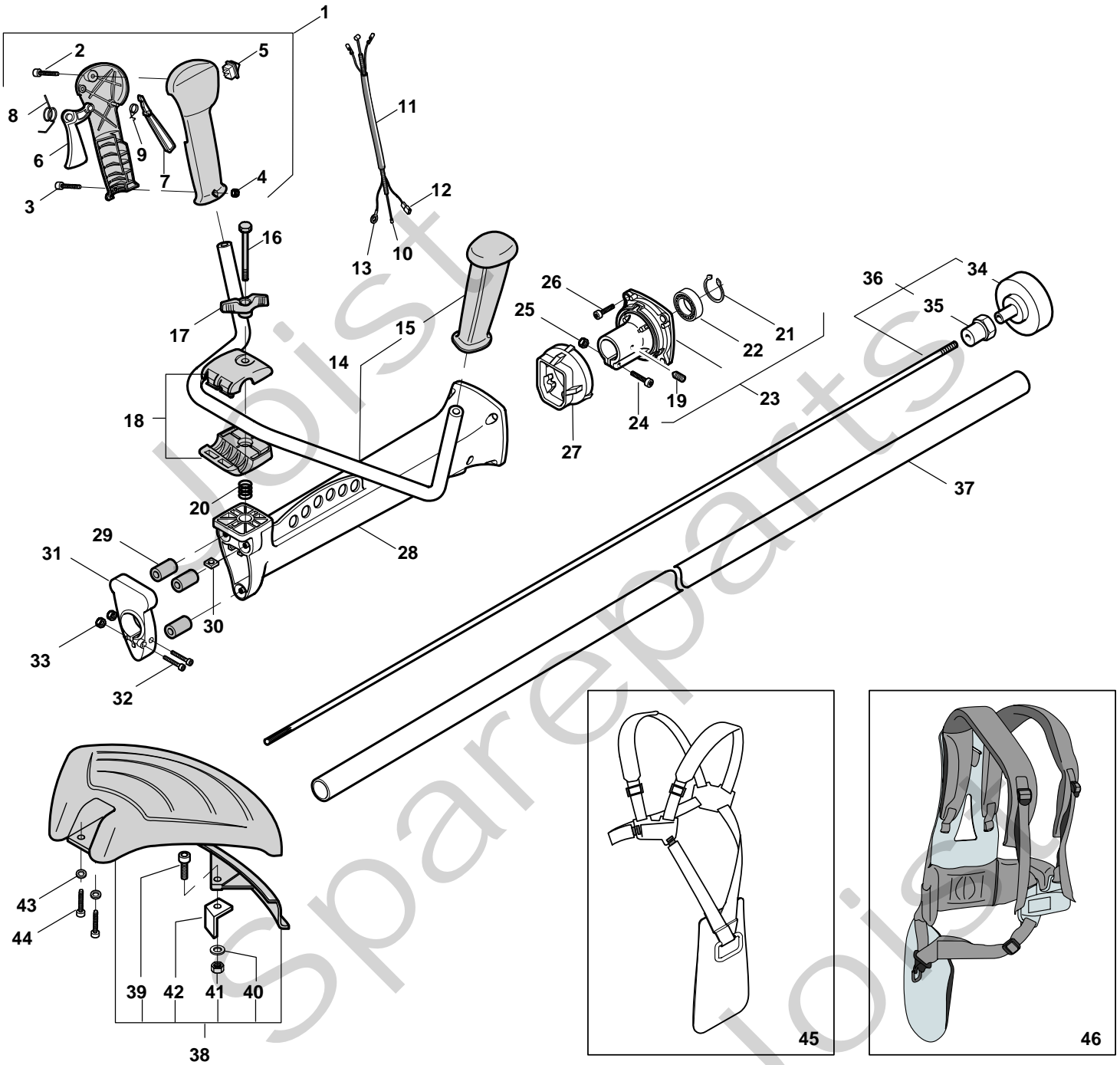


| Pos. Fig. | Antal Quantity | Art No Part No | Benämning              | Description                          | Anmärkning Notes |
|-----------|----------------|----------------|------------------------|--------------------------------------|------------------|
| 1         | 12             | 2135040        | Skruv                  | Screw                                |                  |
| 2         | 1              | 4540800        | Trasm. Support Case    | Trasm. Support Case                  |                  |
| 4         | 1              | 2132500        | Skruv                  | Screw                                |                  |
| 5         | 1              | 2312120        | Bricka                 | Washer                               |                  |
| 6         | 4              | 3745530        | Hylsa                  | Serb.Grommet                         |                  |
| 7         | 2              | 2653210        | Skruv                  | Screw                                |                  |
| 8         | 1              | 3654040        | Fjäder                 | Spring Mod.Piston Ass.Y Ø 42         |                  |
| 9         | 2              | 3660430/1      | Koppling               | Clutch Unit Mod.Piston Ass.Y Ø 42    |                  |
| 10        | 2              | 2321230        | Bricka                 | Washer                               |                  |
| 11        | 2              | 2135060        | Skruv                  | Screw                                |                  |
| 12        | 2              | 2321150        | Bricka                 | Washer                               |                  |
| 13        | 1              | 3211015        | Elektron kspole        | Elettronic Coil                      |                  |
| 14        | 1              | 3211080        | Spark Plug Cable       | Spark Plug Cable                     |                  |
| 15        | 1              | 3782040        | Kabelhöje              | Wire Jacket                          |                  |
| 16        | 1              | 3211415        | Jordkabel              | Earth Cable                          |                  |
| 17        | 1              | 4251480/1      | Svänghjul kpl          | Flywheel Ass.Y (Incl. 7,9,10)        |                  |
| 18        | 2              | 2670120        | Svärdmutter            | Nut                                  |                  |
| 19        | 3              | 2135050        | Skruv                  | Screw                                |                  |
| 20        | 2              | 3121070        | Tätningring            | Seal Ring                            |                  |
| 21        | 1              | 3745130        | Hylsa                  | Grommet                              |                  |
| 22        | 1              | 8521010        | Vevhus                 | Crankcase Ass.Y                      |                  |
| 23        | 1              | 3151010        | Kil                    | Flywheel Key                         |                  |
| 25        | 1              | 3116100        | Nållager               | Needle Bearing 8X12X10               |                  |
| 27        | 1              | 8250840        | Vevaxel (Inkl. 25)     | Crankshaft (Incl. 25)                |                  |
| 28        | 2              | 3112240        | Kullager               | Bearing                              |                  |
| 29        | 1              | 3750280        | Massathread Guide      | Massathread Guide                    |                  |
| 30        | 1              | 3724050        | Packning               | Gasket                               |                  |
| 31        | 5              | 2432040        | Mutter                 | Nut                                  |                  |
| 32        | 3              | 2123100        | Skruv                  | Screw                                |                  |
| 33        | 2              | 3654050        | Fjäder                 | Spring                               |                  |
| 34        | 2              | 3749570        | Startspärr             | Starter Hook                         |                  |
| 35        | 1              | 8540810        | Startkopp (Inkl.32-36) | Starter Cup Ass.Y (Incl.32-36)       |                  |
| 36        | 1              | 2135180        | Skruv                  | Screw                                |                  |
| 37        | 1              | 4563660        | Cylinderkåpa           | Cylinder Cover Ass.Y Yellow          |                  |
| 38        | 1              | 4122120        | Lufffilter             | Muffler                              |                  |
| 41        | 1              | 3724340        | Packning               | Muffler Gasket                       |                  |
| 42        | 1              | 3744850        | Tändstiftshatt         | Spark Plug Cover                     |                  |
| 43        | 1              | 3657530        | Tändstiftsfjäder       | Spark Plug Spring                    |                  |
| 44        | 1              | 3210024        | Tändstift              | Spark Plug                           |                  |
| 45        | 2              | 2135150        | Skruv                  | Screw                                |                  |
| 46        | 1              | 3724260        | Cylinderkåpa           | Cylinder Gasket                      |                  |
| 47        | 1              | 3123150        | Kolvring               | Piston Ring X Mod. Ø 38              |                  |
| 48        | 1              | 3158260        | Kolvbult 8X29          | Piston Pin 8X29                      |                  |
| 49        | 2              | 3356050        | Låsring                | Circlip                              |                  |
| 50        | 1              | 8541120        | Kolv kpl               | Piston Ass.Y Ø 38 (Incl.26,47-49)    |                  |
| 51        | 1              | 8541110        | Cylinder-kolv kpl Ø 38 | Cylinder-Piston Ass.Y Ø 38 (Incl.50) |                  |
| 52        | 1              | 4253290        | Bränslefilter          | Intake Filter                        |                  |
| 53        | 1              | 8745541        | Gummihylsa             | Grommet Ass.Y                        |                  |
| 54        | 1              | 8741370        | Tanklock               | Fuel Cap Ass.Y                       |                  |
| 55        | 1              | 4252470        | Bränsletank            | Fuel Tank Ass.Y (Incl.52-54)         |                  |
| 61        | 2              | 2112310        | Skruv                  | Screw                                |                  |
| 62        | 1              | 8724340        | Packning               | Gasket Set (Incl.30,41,46)           |                  |
| 63        | 1              | 4612587        | Fläns                  | Flange                               |                  |



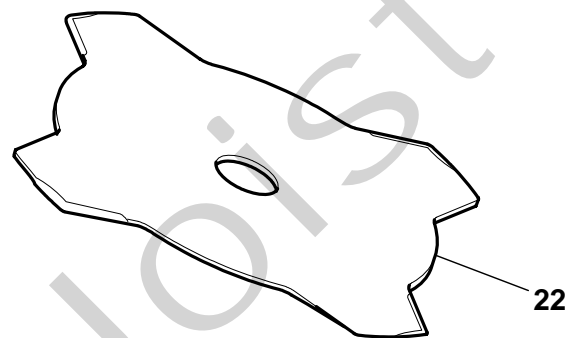
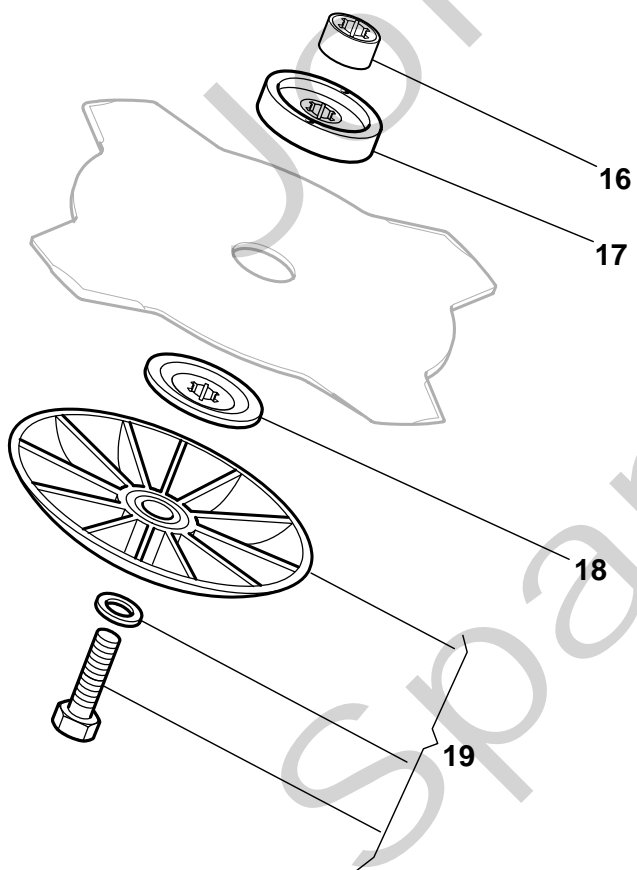
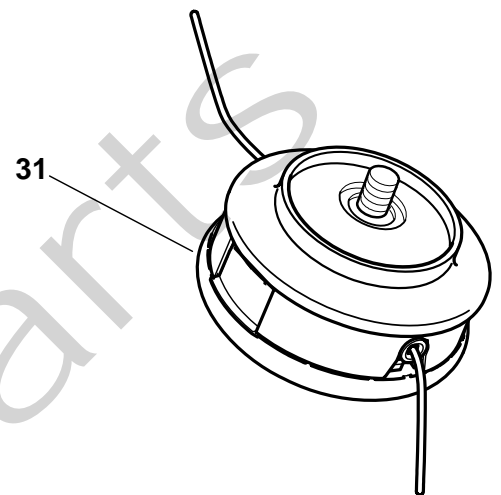
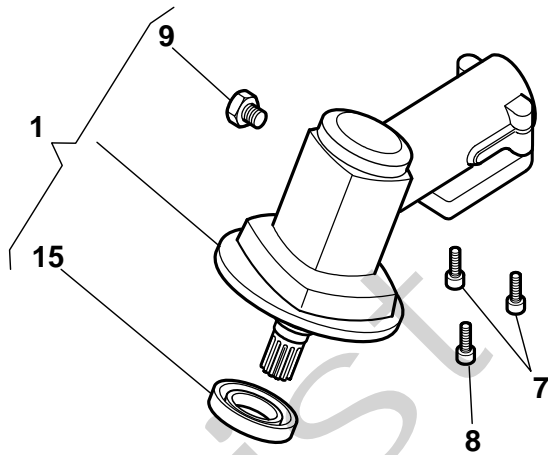


| Pos. Fig. | Antal Quantity | Art No Part No | Benämning              | Description                 | Anmärkning Notes |
|-----------|----------------|----------------|------------------------|-----------------------------|------------------|
| 1         | 1              | 3724360        | Packning               | Intake Manif-Gasket         |                  |
| 2         | 1              | 3750410        | Insugningsrör          | Intake Manifold             |                  |
| 3         | 2              | 2670280        | Mutter                 | Nut                         |                  |
| 4         | 2              | 2135050        | Skruv                  | Screw                       |                  |
| 5         | 2              | 3724400        | Packning               | Intake-Carb Gasket          |                  |
| 6         | 1              | 3785070        | Värmedistans           | Heat Block                  |                  |
| 7         | 1              | 4353270/1      | Förgasare              | Carburettor                 |                  |
| 8         | 1              | 8750390        | Luftfilterhus          | Air Filter Holder           |                  |
| 9         | 3              | 2312090        | Bricka                 | Washer                      |                  |
| 10        | 2              | 2135250        | Skruv                  | Screw                       |                  |
| 11        | 1              | 3781600        | Luftfilter             | Air Filter                  |                  |
| 12        | 1              | 4563670        | Luftfilterkåpa         | Filter Cover Yellow         |                  |
| 13        | 3              | 2123100        | Skruv                  | Screw                       |                  |
| 14        | 1              | 3613420        | Bricka                 | Washer                      |                  |
| 15        | 1              | 4562220        | Linhjul                | Starter Pulley              |                  |
| 16        | 1              | 3723640        | Skiva                  | Disc                        |                  |
| 17        | 1              | 4611480        | Startfjäder            | Starter Spring              |                  |
| 18        | 1              | 8563650        | Starter Recoil Case    | Starter Recoil Case         |                  |
| 19        | 12             | 2135040        | Skruv                  | Screw                       |                  |
| 20        | 1              | 3784030        | Startsnöre             | Starter Cord                |                  |
| 21        | 1              | 3750067        | Starthandtag           | Starter Handle              |                  |
| 22        | 4              | 3745530        | Hylsa                  | Serb.Grommet                |                  |
| 23        | 1              | 4252680        | Start kpl (Inkl.13-22) | Starter Ass.Y (Incl. 13-22) |                  |
| 24        | 1              | 3744870        | Primer                 | Primer Pump                 |                  |
| 25        | 1              | 4353150        | Packning               | Gasket-Diaph. Set           |                  |
| 30        | 2              | 2461030        | Mutter                 | Nut                         |                  |





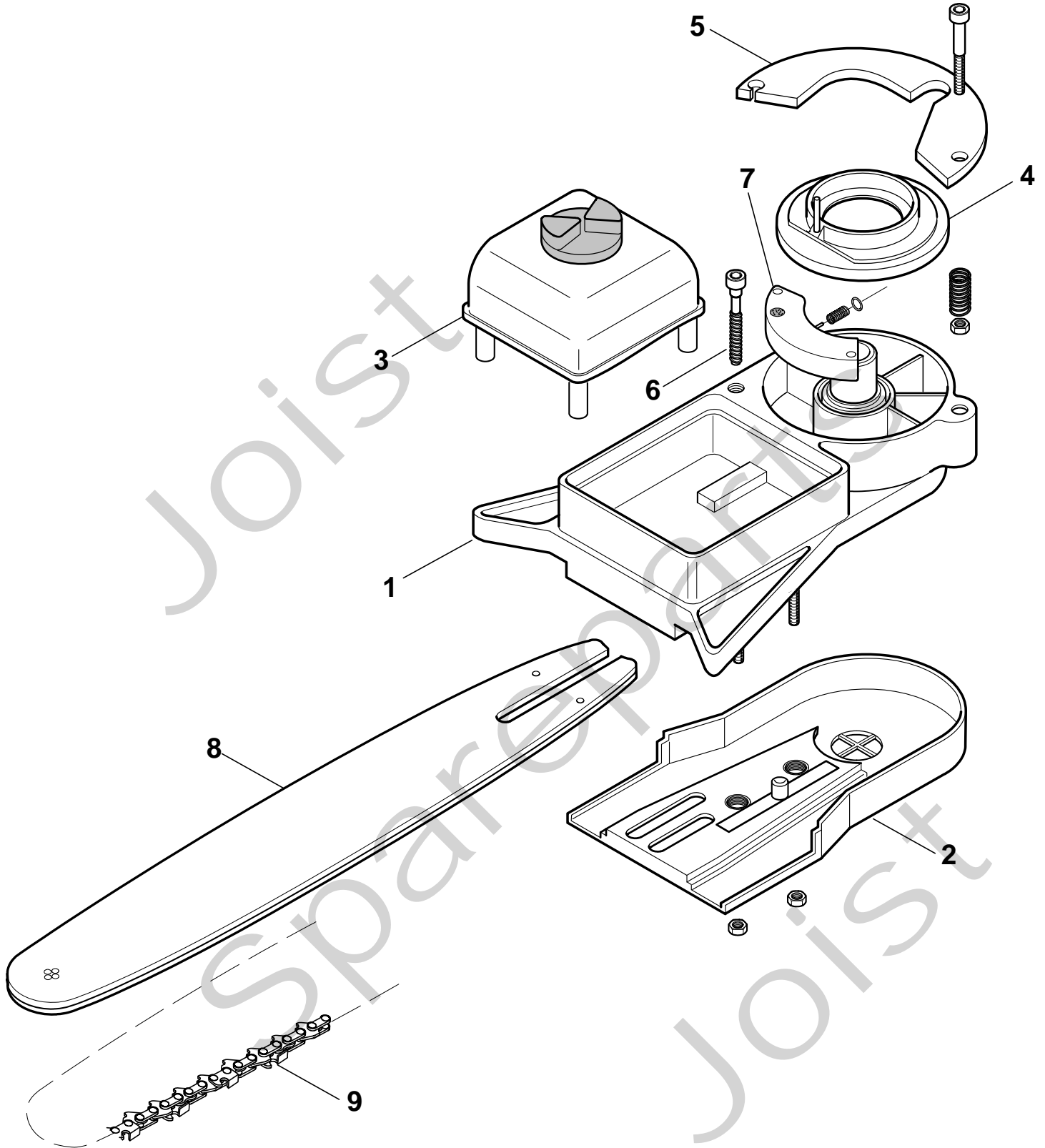
| Pos. Fig. | Antal Quantity | Art No Part No | Benämning             | Description                     | Anmärkning Notes |
|-----------|----------------|----------------|-----------------------|---------------------------------|------------------|
| 1         | 1              | 8563830        | Handtag               | Handle Ass.Y (Incl.2-9)         |                  |
| 2         | 1              | 2123030        | Skruv                 | Screw                           |                  |
| 3         | 1              | 2135050        | Skruv                 | Screw                           |                  |
| 4         | 1              | 12154330/0     | Mutter                | Nut                             |                  |
| 5         | 1              | 3210970        | Brytare               | Stop Switch                     |                  |
| 6         | 1              | 3743431/1      | Fjäder Arm Gaswire    | Spring                          |                  |
| 7         | 1              | 3743441        | Säkerhetsspärr        | Safety Lever                    |                  |
| 8         | 1              | 3654270/1      | Fjäder Arm Gaswire    | Spring                          |                  |
| 9         | 1              | 3654280/1      | Fjäder                | Spring                          |                  |
| 10        | 1              | 4252570        | Gaswire               | Wire Ass.Y                      |                  |
| 11        | 1              | 3786220        | Kabelhöje             | Wire Sheath                     |                  |
| 12        | 1              | 3211590        | Kabel                 | Coil-Switch Cable (Red)         |                  |
| 13        | 1              | 3211600/1      | Jordkabel             | Earth Cable (Black)             |                  |
| 14        | 1              | 4252840/1      | Styre                 | Handle                          |                  |
| 15        | 1              | 3744860/1      | Handtagsgrepp         | Left Knob                       |                  |
| 16        | 1              | 2112580        | Skruv                 | Screw                           |                  |
| 17        | 1              | 3750480        | Vingmutter            | Wing Nut                        |                  |
| 18        | 1              | 8521070        | Styrinfästning kpl    | Handgrip Support Ass.Y          |                  |
| 19        | 1              | 2126050        | Skruv                 | Screw                           |                  |
| 20        | 1              | 3654530        | Fjäder                | Spring                          |                  |
| 21        | 1              | 3353080        | Låsring               | Ring                            |                  |
| 22        | 1              | 3112170        | Kullager              | Bearing                         |                  |
| 23        | 1              | 3L8520990/3    | Transm.nav            | Transmission Hub Ass.Y Ø 26     |                  |
| 24        | 1              | 2135150        | Skruv                 | Screw                           |                  |
| 25        | 1              | 2432030        | Mutterschraube (Flex) | Nut (Flex)                      |                  |
| 26        | 4              | 2135160        | Skruv                 | Screw                           |                  |
| 27        | 1              | 3744330        | Vibrationsdämpare-bak | Rear Shock Absorber             |                  |
| 28        | 1              | 4563850/2      | Transmissionshus      | Transmission Housing            |                  |
| 29        | 3              | 3744320        | Vibrationsdämpare-fra | Front Shock Absorber            |                  |
| 30        | 1              | 3615190        | Plåt                  | Handle Fixing Plate             |                  |
| 31        | 1              | 4563860        | Stöd-främre           | Front Housing Support Ø 26      |                  |
| 32        | 2              | 2135060        | Skruv                 | Screw                           |                  |
| 33        | 2              | 12154330/0     | Mutter                | Nut                             |                  |
| 34        | 1              | 4121861/1      | Kopplingshjul         | Clutch                          |                  |
| 35        | 1              | 3642191        | Lagernav              | Bearing Hub                     |                  |
| 36        | 1              | 4251400        | Transmissionsaxel     | Trans.Shaft Assy                |                  |
| 37        | 1              | 4251204        | Drivaxelrör           | Transmission Pipe Ass.Y         |                  |
| 38        | 1              | 3L8563570/1    | Skyddskåpa            | Safety Cover Ass.Y (Incl.43-46) |                  |
| 39        | 1              | 2135030        | Skruv                 | Screw                           |                  |
| 40        | 1              | 2312150        | Bricka                | Washer                          |                  |
| 41        | 1              | 2432040        | Mutter                | Nut                             |                  |
| 42        | 1              | 3615000        | Kniv                  | Line Cutter                     |                  |
| 43        | 2              | 2312150        | Bricka                | Washer                          |                  |
| 44        | 2              | 2135060        | Skruv                 | Screw                           |                  |
| 45        | 1              | 4253440        | Sele                  | Harness                         |                  |
| 46        | 1              | 123046000/0    | Sele                  | Harness                         |                  |





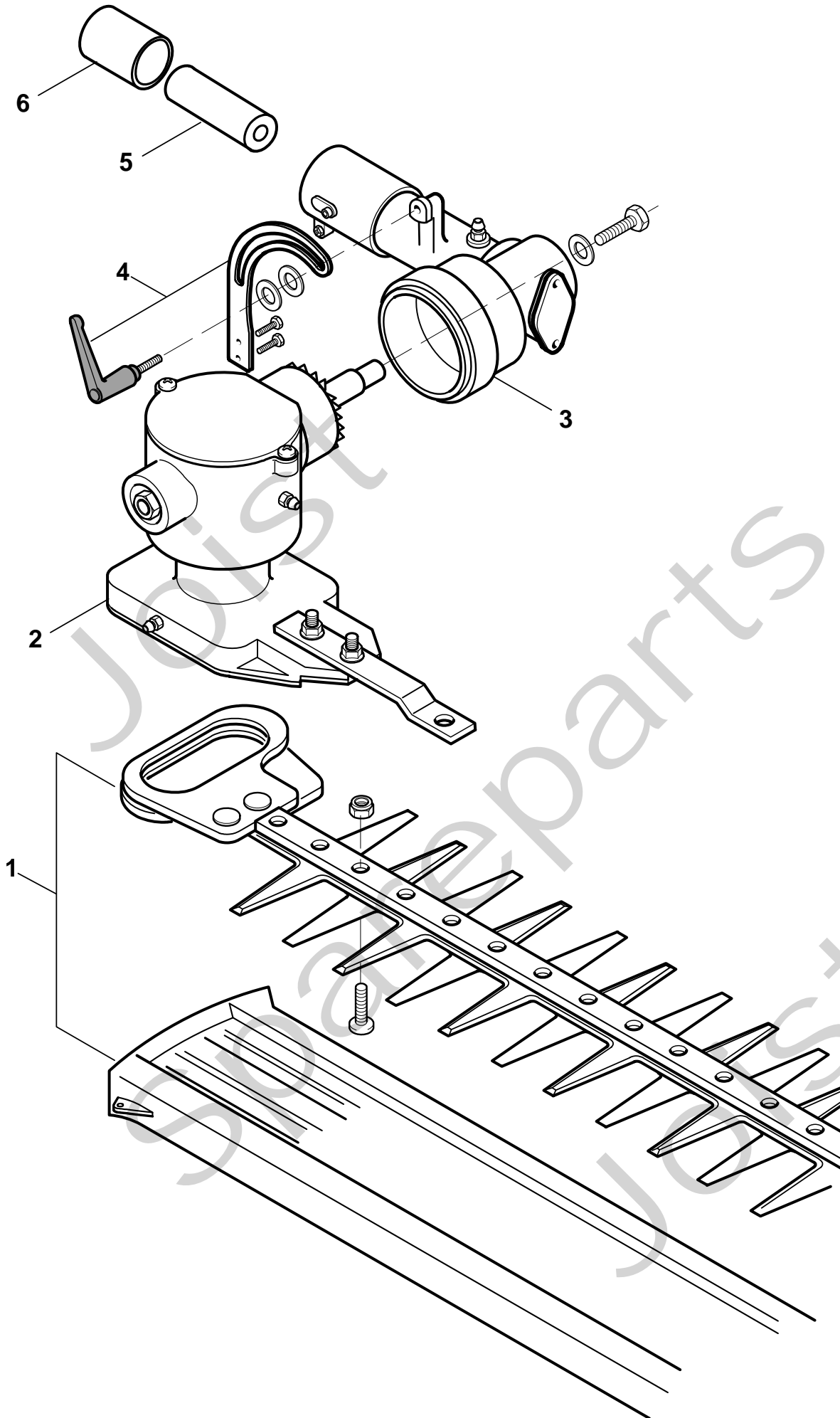


| Pos. Fig. | Antal Quantity | Art No Part No | Benämning        | Description          | Anmärkning Notes |
|-----------|----------------|----------------|------------------|----------------------|------------------|
| 1         | 1              | 4252780/1      | Snäckväxel kpl   | Gear Case Assy [Ø26] |                  |
| 1         | 1              | 4252780/1      | Snäckväxel kpl   | Gear Case Assy [Ø26] |                  |
| 7         | 2              | 2135050        | Skruv            | Screw                |                  |
| 8         | 1              | 2653090        | Skruv            | Screw                |                  |
| 9         | 1              | 2653460        | Skruv            | Screw                |                  |
| 15        | 1              | 3121170        | Tätningring      | Oil Seal             |                  |
| 16        | 1              | 3641700/1      | Krage            | Collar               |                  |
| 17        | 1              | 3641640        | Ringmutter-övre  | Upper Ring Nut       |                  |
| 18        | 1              | 3612640        | Ringmutter-nedre | Lower Ring Nut       |                  |
| 19        | 1              | 4560610        | Stabilisator kpl | Stabilizer           |                  |
| 20        | 1              | 2321230        | Bricka           | Washer               |                  |
| 21        | 1              | 2653170        | Skruv            | Screw                |                  |
| 22        | 1              | 4611880        | Röjklina         | 4 Teeth 25 Cm        |                  |
| 31        | 1              | 4353240/1      | Skärhuvud kpl    | 2 Hedges Nylon Head  |                  |





| Pos. Fig. | Antal Quantity | Art No Part No | Benämning             | Description                 | Anmärkning Notes |
|-----------|----------------|----------------|-----------------------|-----------------------------|------------------|
| 1         | 1              | 6910500        | Transmissionsaxel Ø24 | Transmission Case Ass.Y Ø24 |                  |
| 2         | 1              | 6910502        | Kedjestopp            | Chain Housing               |                  |
| 3         | 1              | 6910503        | Tank                  | Oil Tank                    |                  |
| 4         | 1              | 6910504        | Lock                  | Cover Ø24                   |                  |
| 5         | 1              | 6910506        | Fläns                 | Flange                      |                  |
| 6         | 1              | 6910507        | Skruv                 | Screw                       |                  |
| 7         | 1              | 6910508        | Oljepump              | Oil Pump Ass.Y              |                  |
| 8         | 1              | 4112610        | Svärd                 | "Guide Bar 10""             |                  |
| 9         | 1              | 4113551        | Kedja                 | "Chain 10""                 |                  |





| Pos. Fig. | Antal Quantity | Art No Part No | Benämning         | Description              | Anmärkning Notes |
|-----------|----------------|----------------|-------------------|--------------------------|------------------|
| 1         | 1              | 6910520        | Kniv kpl          | Blade Ass.Y              |                  |
| 2         | 1              | 6910521        | Transmissionsaxel | Transmission Shaft Ass.Y |                  |
| 3         | 1              | 6910524        | Snäckväxel kpl    | Gear Case Ass.Y          |                  |
| 4         | 1              | 6910523        | Gasarm            | Lever+Regulation Rod     |                  |
| 5         | 1              | 4252640        | Axelhylsa         | Coupling                 |                  |
| 6         | 1              | 2382430        | Distans           | Spacer                   |                  |