

# Genuine Spare Parts

www.stiga.com

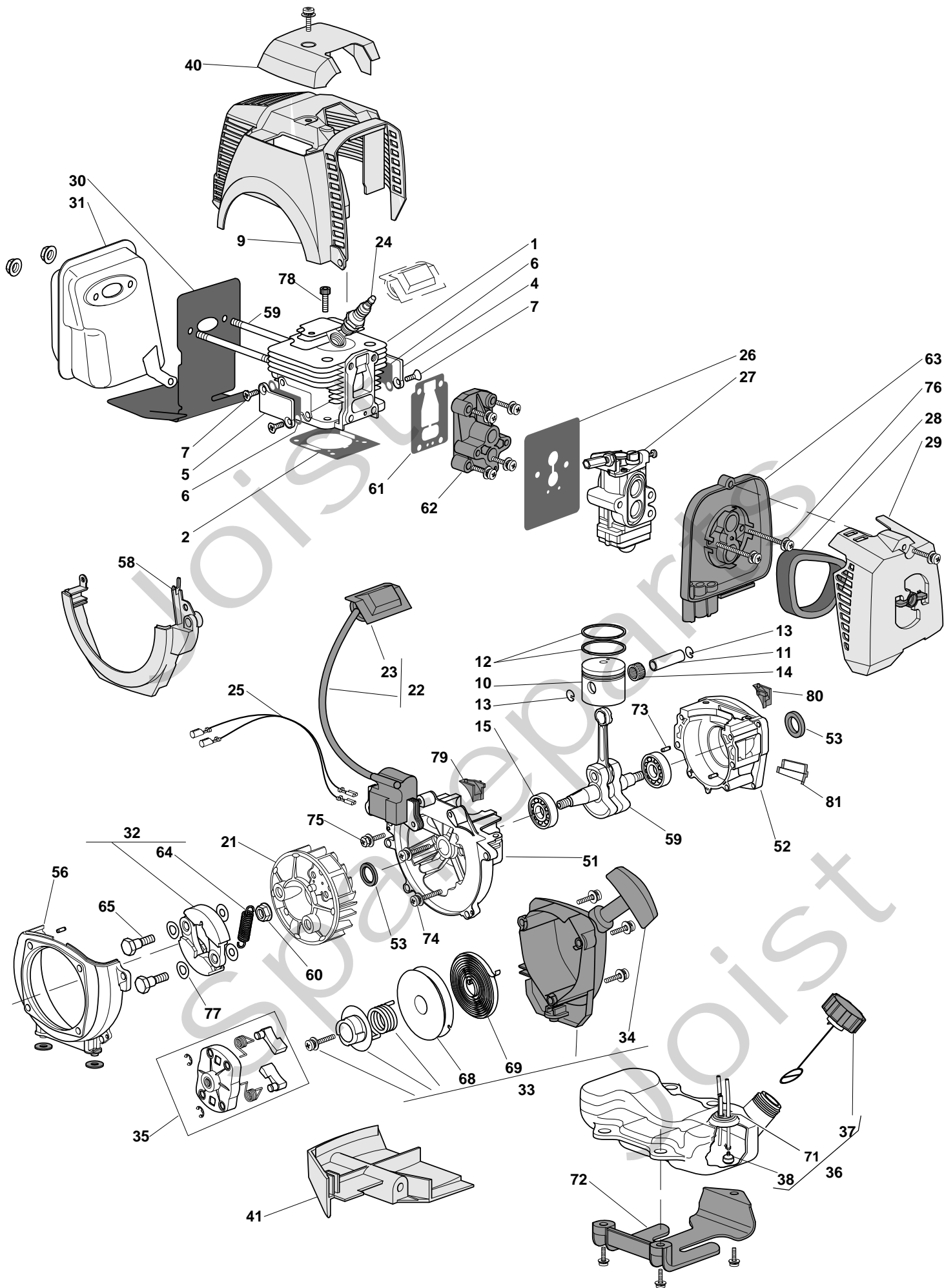
## SB 29 DS Model Year 2010

- Use GLOBAL GARDEN PRODUCT Genuine Spare Parts specified in the parts list for repair and/or replacement.
- The contents described in the parts list may change due to improvement.
- The drawings of the spare parts are only indicative and might not represent the part in question exactly.
- The indications "right" - "left" - "front" - "rear" refer to the position of the operator when using the machine.
- When placing orders of parts for repair and/or replacement, make sure that the illustrated parts list is the one applying to the machine's year of manufacture, as shown on the identification plate attached to the machine.

COPYRIGHT by GLOBAL GARDEN PRODUCTS

All rights reserved. No part of this material may be reproduced or transmitted, in any form or by any means, electronic or mechanical, including photocopying, recording or by any information storage and retrieval system, without permission in writing from GLOBAL GARDEN PRODUCTS.

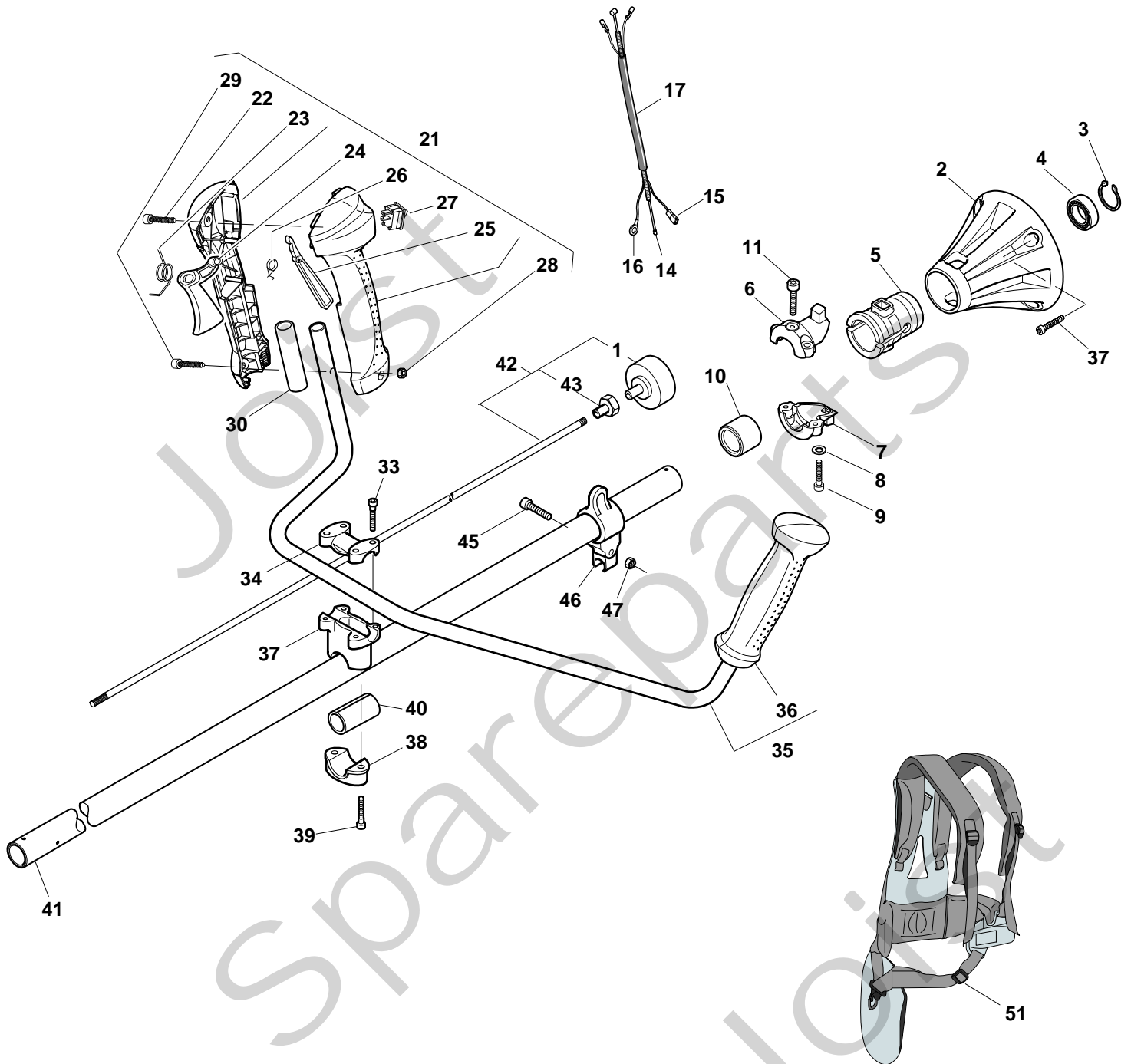






## SB 29 DS - Model Year 2010

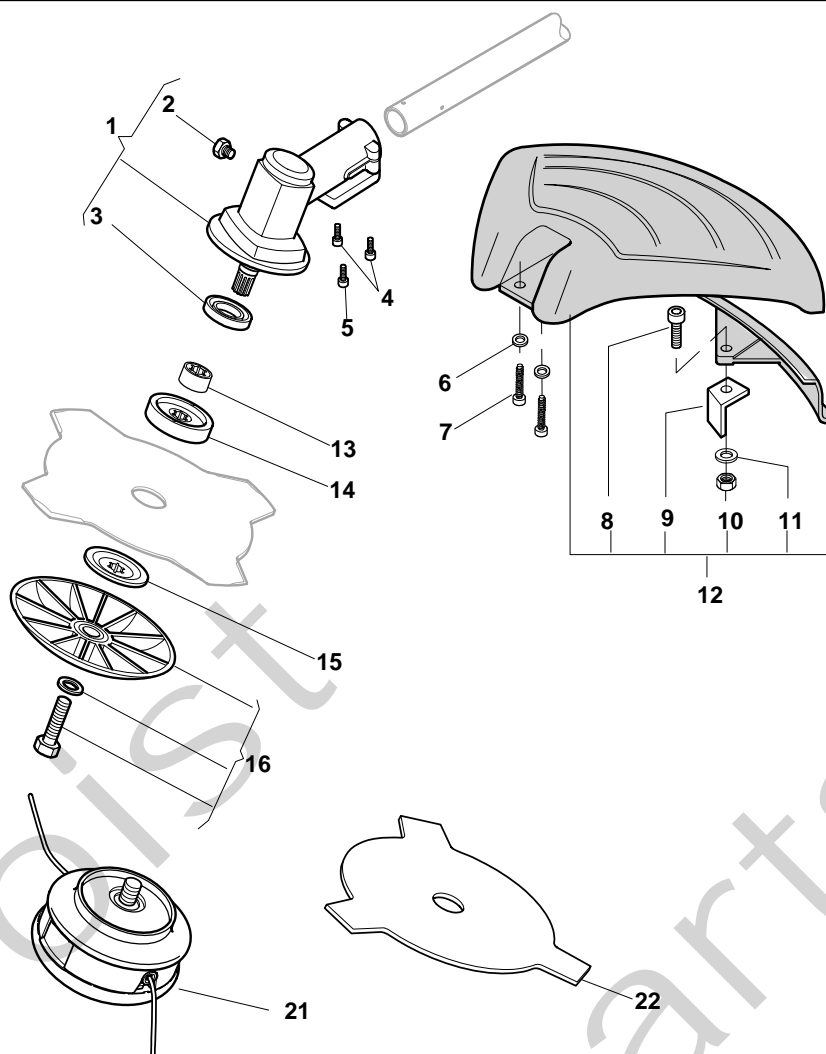
| Pos. Fig. | Antal Quantity | Art No Part No | Benämning       | Description              | Anmärkning Notes |
|-----------|----------------|----------------|-----------------|--------------------------|------------------|
| 1         | 1              | 123071019/0    | Cylinder        | Cylinder                 |                  |
| 2         | 1              | 123280056/0    | Cylinderkåpa    | Cylinder Gasket          |                  |
| 4         | 1              | 123109568/0    | Kåpa            | Cover                    |                  |
| 5         | 1              | 123109569/0    | Kåpa            | Cover                    |                  |
| 6         | 2              | 123280032/0    | Packning        | Gasket                   |                  |
| 7         | 4              | 123878054/0    | Skruv           | Screw                    |                  |
| 9         | 1              | 323106019/0    | Motorlucka      | Yellow Cylinder Cover    |                  |
| 10        | 1              | 123590004/0    | Kolv            | Piston                   |                  |
| 11        | 1              | 123760001/0    | Kolvbult        | Piston Pin               |                  |
| 12        | 2              | 123204007/0    | Kolvring        | Piston Ring              |                  |
| 13        | 2              | 123202002/0    | Låsring         | Washer, Piston Pin       |                  |
| 14        | 1              | 123235003/0    | Nilager         | Needle Bearing           |                  |
| 15        | 2              | 114215215/0    | Kullager        | Bearing                  |                  |
| 21        | 1              | 123880005/0    | Svånghjul       | Flywheel                 |                  |
| 22        | 1              | 123044012/0    | Elektronikspole | Electronic Coil          |                  |
| 23        | 1              | 323053003/0    | Tändstiftshatt  | Spark Plug Cover         |                  |
| 24        | 1              | 3210024        | Tändstift       | Spark Plug               |                  |
| 25        | 1              | 183065028/0    | Jordkabel       | Earth Cable              |                  |
| 26        | 1              | 123280033/0    | Packning        | Intake-Carb Gasket       |                  |
| 27        | 1              | 123054029/0    | Förgasare       | Carburettor              |                  |
| 28        | 1              | 123220009/0    | Luftfilter      | Air Filter               |                  |
| 29        | 1              | 183090007/0    | Luftfilterkåpa  | Filter Cover, Yellow     |                  |
| 30        | 1              | 123280028/0    | Packning        | Gasket                   |                  |
| 31        | 1              | 183740013/0    | Ljuddämpare     | Muffler                  |                  |
| 32        | 1              | 183215005/0    | Koppling        | Clutch Unit              |                  |
| 33        | 1              | 183058034/0    | Start kpl       | Starter Ass.Y            |                  |
| 34        | 1              | 123300007/0    | Starthandtag    | Starter Handle           |                  |
| 35        | 1              | 123082002/0    | Startkopp       | Starter Cup Ass.Y        |                  |
| 36        | 1              | 183733005/0    | Bränsletank     | Fuel Tank Ass.Y          |                  |
| 37        | 1              | 183790008/0    | Tanklock        | Fuel Cap Ass.Y           |                  |
| 38        | 1              | 183520004/0    | Bränslefilter   | Intake Filter            |                  |
| 39        | 2              | 123878061/0    | Stud Screw      | Double-Screw Bolt        |                  |
| 40        | 1              | 323109543/0    | Tändstiftshatt  | Yellow Cover, Spark Plug |                  |
| 41        | 1              | 323600056/0    | Skydd           | Lower Guard, Yellow      |                  |
| 51        | 1              | 123685005/0    | Vevhus          | Crank Case               |                  |
| 52        | 1              | 123685004/0    | Vevhus          | Crank Case               |                  |
| 53        | 2              | 119035160/0    | Tätningring     | Seal Ring                |                  |
| 56        | 1              | 123208410/0    | Transm.stödhus  | Transm.Support Case      |                  |
| 58        | 1              | 323109542/0    | Kåpa            | Case, Yellow             |                  |
| 59        | 1              | 123020026/0    | Vevaxel         | Crankshaft               |                  |
| 60        | 1              | 123120005/0    | Mutter          | Nut                      |                  |
| 61        | 1              | 123280052/0    | Packning        | Intake Manif-Gasket      |                  |
| 62        | 1              | 123073510/0    | Insugningsrör   | Intake Manifold          |                  |
| 63        | 1              | 123040002/0    | Luftfilterstöd  | Air Cleaner Base         |                  |
| 64        | 1              | 123430586/0    | Fjäder          | Spring                   |                  |
| 65        | 2              | 123878059/0    | Skruv           | Screw                    |                  |
| 68        | 1              | 123604008/0    | Linhjul         | Starter Pulley           |                  |
| 69        | 1              | 123430589/0    | Startfjäder     | Spring                   |                  |
| 71        | 1              | 123275022/0    | Gummitätning    | Grommet Ass.Y            |                  |
| 72        | 1              | 123784005/0    | Skydd           | Guard                    |                  |
| 73        | 2              | 123753002/0    | Sprint          | Pin                      |                  |
| 74        | 3              | 123878066/0    | Skruv           | Screw                    |                  |
| 75        | 2              | 123878064/0    | Skruv           | Screw                    |                  |
| 76        | 2              | 123878065/0    | Skruv           | Screw                    |                  |
| 77        | 2              | 123657010/0    | Bricka          | Washer                   |                  |
| 78        | 4              | 123878063/0    | Skruv           | Screw                    |                  |
| 79        | 1              | 123294001/0    | Guide           | Guide                    |                  |
| 80        | 1              | 123294000/0    | Guide           | Guide                    |                  |
| 81        | 1              | 123109559/0    | Hjulskydd       | Guard                    |                  |





## SB 29 DS - Model Year 2010

| Pos. Fig. | Antal Quantity | Art No Part No | Benämning         | Description                   | Anmärkning Notes |
|-----------|----------------|----------------|-------------------|-------------------------------|------------------|
| 1         | 1              | 4121881/1      | Kopplingshjul     | Clutch Drum                   |                  |
| 2         | 1              | 323782006/0    | Transmissionsstöd | Support Trasm.Assy            |                  |
| 3         | 1              | 3353080        | Låsring           | Seeger Ring                   |                  |
| 4         | 1              | 3112170        | Kullager          | Bearing                       |                  |
| 5         | 1              | 323275018/0    | Gummihylsa        | Grommet                       |                  |
| 6         | 1              | 323720002/0    | Stöd              | Support                       |                  |
| 7         | 1              | 323720003/0    | Stöd              | Support                       |                  |
| 8         | 2              | 2370050        | Bricka            | Washer                        |                  |
| 9         | 2              | 2135030        | Skruv             | Screw                         |                  |
| 10        | 1              | 323044218/0    | Bussning          | Bushing                       |                  |
| 11        | 1              | 2135010        | Skruv             | Screw                         |                  |
| 14        | 1              | 123066020/0    | Gaswire           | Wire Ass.Y                    |                  |
| 15        | 1              | 123065024/0    | Kabel             | Coil-Switch Cable             |                  |
| 16        | 1              | 123065025/0    | Jordkabel         | Earth Cable                   |                  |
| 17        | 1              | 3786240        | Wirehölje         | Wire Sheath                   |                  |
| 21        | 1              | 383300021/0    | Handtag kpl       | Handle Ass.Y                  |                  |
| 22        | 1              | 2123030        | Skruv             | Screw                         |                  |
| 23        | 1              | 3654270/1      | Fjäder            | Spring                        |                  |
| 24        | 1              | 323315083/0    | Gasreglage        | Throttle Lever                |                  |
| 25        | 1              | 323315084/0    | Säkerhetsspärr    | Safety Lever                  |                  |
| 26        | 1              | 3654280/1      | Fjäder            | Spring                        |                  |
| 27        | 1              | 3210970        | Brytare           | Stop Switch                   |                  |
| 28        | 1              | 12154330/0     | Mutter            | Nut                           |                  |
| 29        | 1              | 2135050        | Skruv             | Screw                         |                  |
| 30        | 1              | 23655001/0     | Reduktion         | Reduction                     |                  |
| 33        | 4              | 2135060        | Skruv             | Screw                         |                  |
| 34        | 1              | 4541500/1      | Styrfäste-övre    | Upper Handgrip Support        |                  |
| 35        | 1              | 383394008/0    | Styre kpl         | Handle Ass.Y                  |                  |
| 36        | 1              | 323395052/0    | Handtag-vä        | Left Handle                   |                  |
| 37        | 4              | 2132110        | Skruv             | Screw                         |                  |
| 37        | 1              | 4541490/1      | Styrfäste-mitten  | Handle Support                |                  |
| 38        | 1              | 4541510        | Styrfäste-undre   | Lower Handgrip Support        |                  |
| 39        | 2              | 2135050        | Skruv             | Screw                         |                  |
| 40        | 2              | 3721410        | Rubber Facing     | Rubber Facing                 |                  |
| 41        | 1              | 383869067/0    | Drivaxelrör       | Transmission Pipe Ass.Y       |                  |
| 42        | 1              | 4251410        | Drivaxel          | Transm.Shaft Ass.Y (Incl.8-9) |                  |
| 43        | 1              | 3642221        | Lagernav          | Bearing Hub                   |                  |
| 45        | 1              | 2135040        | Skruv             | Screw                         |                  |
| 46        | 1              | 23780000/0     | Fäste-sele        | Harness Support               |                  |
| 47        | 1              | 2412030        | Mutter            | Nut                           |                  |
| 51        | 1              | 123046000/0    | Sele              | Harness                       |                  |



| Pos. Fig. | Antal Quantity | Art No Part No | Benämning        | Description                       | Anmärkning Notes |
|-----------|----------------|----------------|------------------|-----------------------------------|------------------|
| 1         | 1              | 4252770/2      | Snäckväxel kpl   | Gear Case Assy (Incl. 2÷21) [R24] |                  |
| 2         | 1              | 2653460        | Skruv            | Screw                             |                  |
| 3         | 1              | 3121180        | Tätningring      | Oil Seal                          |                  |
| 4         | 2              | 2135050        | Skruv            | Screw                             |                  |
| 5         | 1              | 2653090        | Skruv            | Screw                             |                  |
| 6         | 2              | 2312150        | Bricka           | Washer                            |                  |
| 7         | 2              | 2135060        | Skruv            | Screw                             |                  |
| 8         | 1              | 2135030        | Skruv            | Screw                             |                  |
| 9         | 1              | 3615000        | Kniv             | Line Cutter                       |                  |
| 10        | 1              | 12154330/0     | Mutter           | Nut                               |                  |
| 11        | 1              | 2312150        | Bricka           | Washer                            |                  |
| 12        | 1              | 8563570        | Stänkskydd kpl   | Safety Cover Ass.Y (Incl.40-43)   |                  |
| 13        | 1              | 3660680        | Hylsa            | Collar                            |                  |
| 14        | 1              | 3641650        | Ringmutter-övre  | Upper Ring Nut                    |                  |
| 15        | 1              | 3612650        | Ringmutter-nedre | Lower Ring Nut                    |                  |
| 16        | 1              | 4560610        | Stabilisator kpl | Stabilizer                        |                  |
| 21        | 1              | 4353240/1      | Skärhuvud kpl    | 2 Hedges Nylon Head               |                  |
| 22        | 1              | 6031172        | Röjklina         | 3 Teeth Disc 25 Cm                |                  |