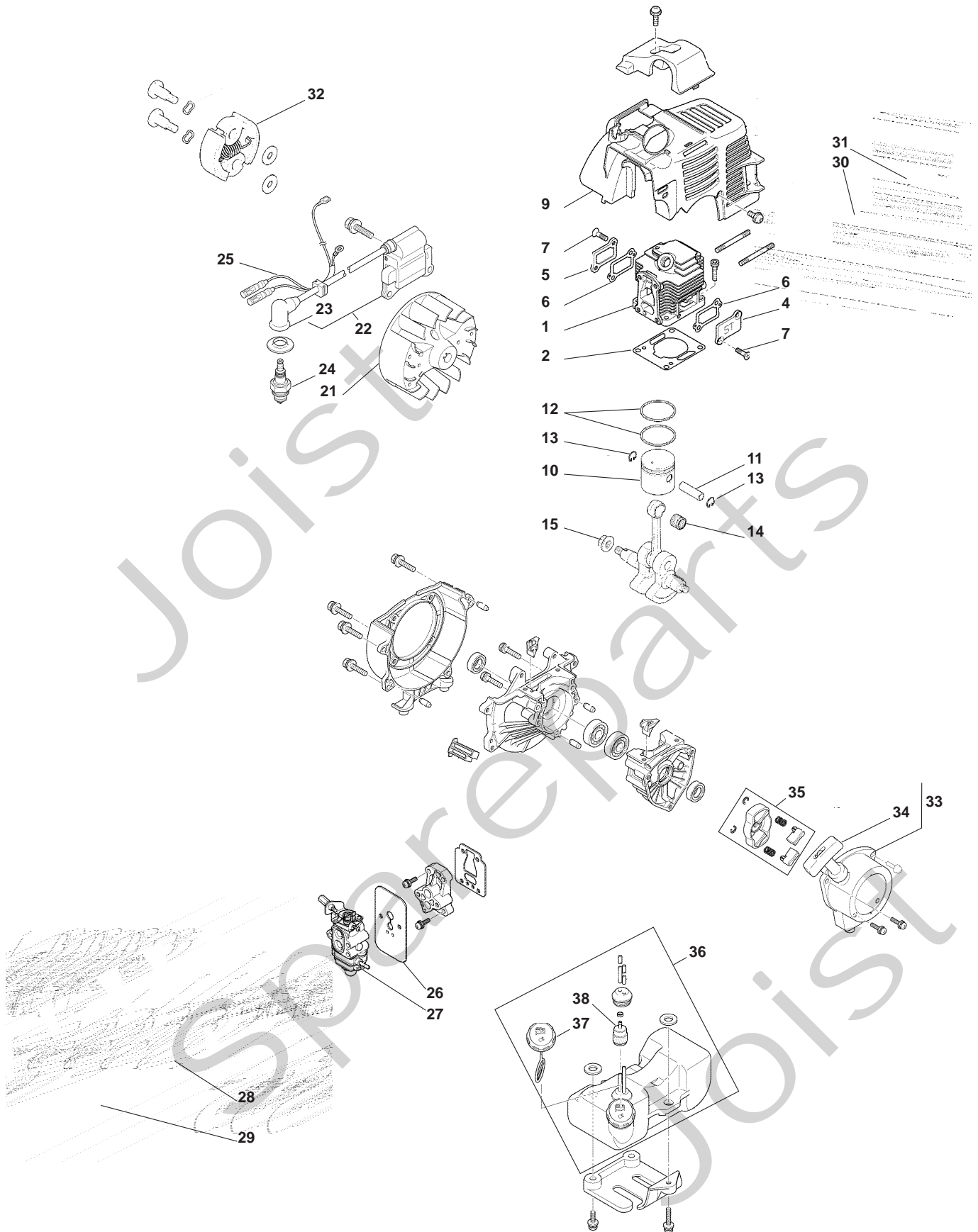


# Genuine Spare Parts

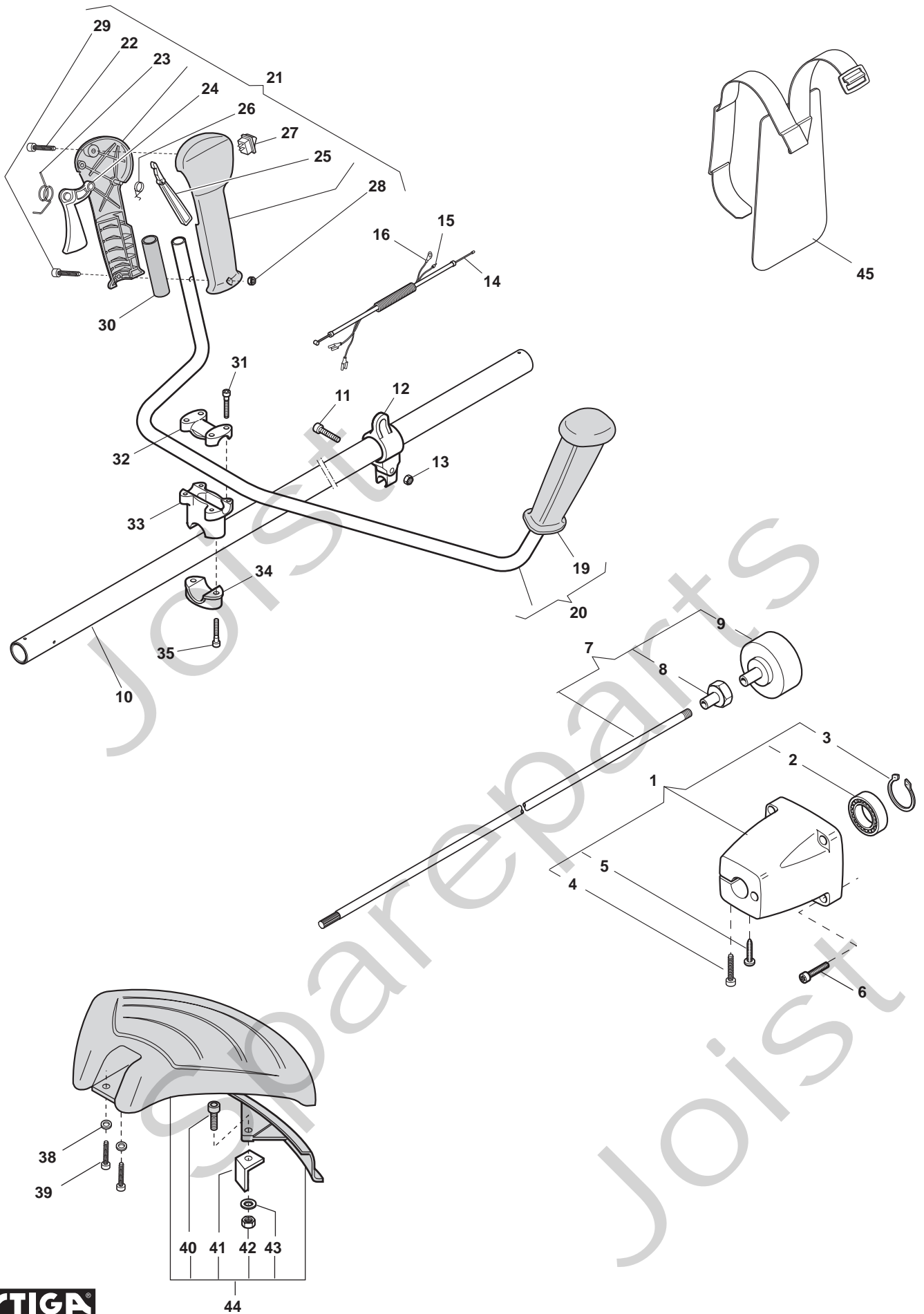
---



Spareparts  
Joist

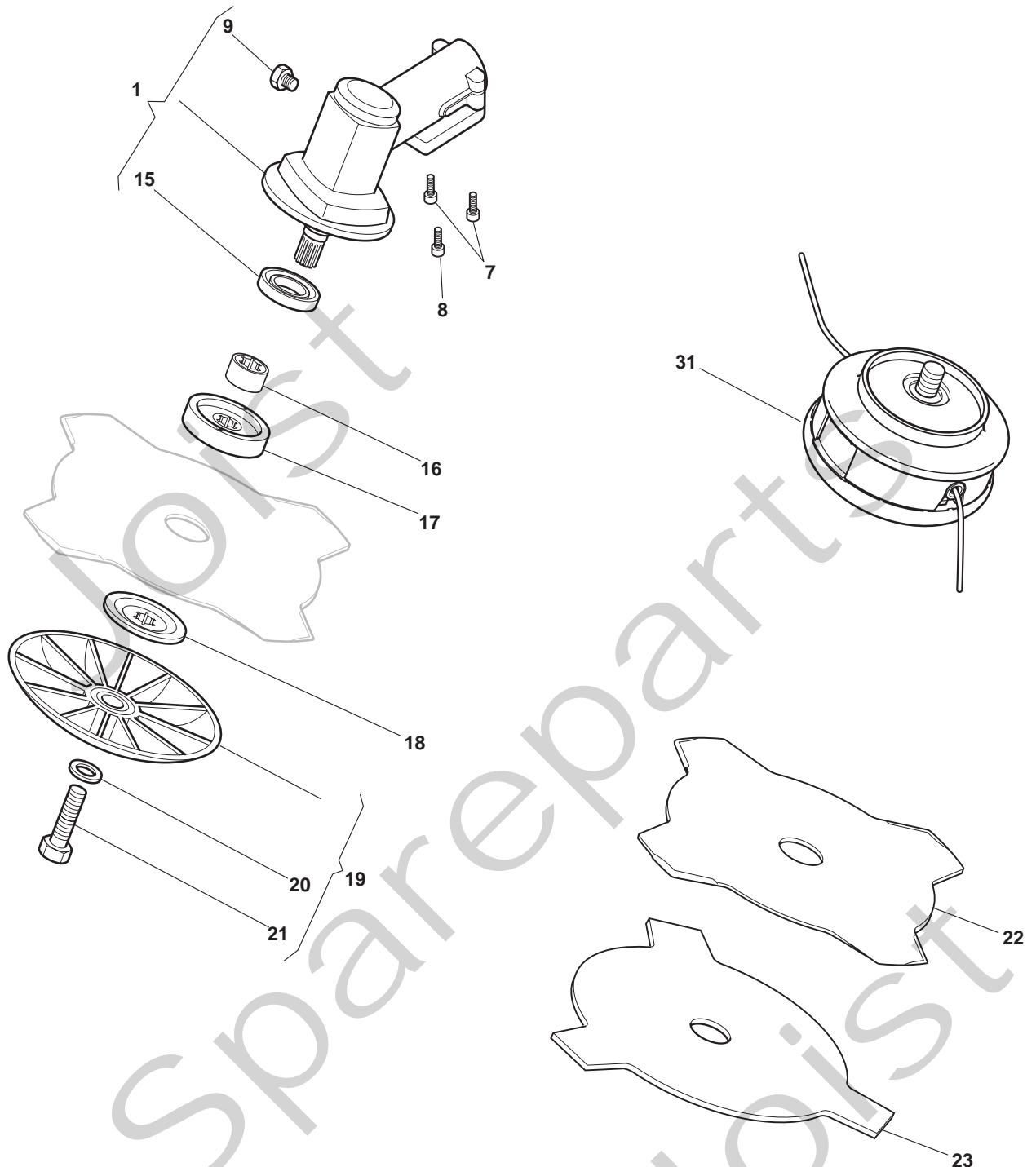


Utgåva Issue		Bildnr Picture No		SB 29- SB 29D RÖJARE MOTOR		SB 29- SB 29D BRUSH CUTTER ENGINE		Sida Page	
2008- 12		2510						304	
Pos. Fig.	Antal/Quantity				Art nr Part No	Benämning	Description	Sats Kit	Anmärkning Notes
	3520 3521 -11								
X	1	1			123071010/0	Cylinder .....	Cylinder .....		
X	2	1			123280030/0	Packning .....	Gasket .....		
X	4	1			123109539/0	Lock .....	Cover .....		
X	5	1			123109540/0	Lock .....	Cover .....		
X	6	2			123280032/0	Packning .....	Gasket .....		
X	7	4			123878054/0	Skruv .....	Screw .....		
X	9	1			123106022/0	Cylinderkåpa- gul .....	Cylinder cover- yellow .....		
X	10	1			123590004/0	Kolv .....	Piston .....		
X	11	1			123760001/0	Kolvbult .....	Piston pin .....		
X	12	2			123204007/0	Kolvring .....	Piston ring .....		
X	13	2			123202002/0	Låsring .....	Lock ring .....		
X	14	1			123235003/0	Nållager .....	Needle bearing .....		
X	15	1			123120005/0	Mutter .....	Nut .....		
X	21	1			123880005/0	Svänghjul .....	Flywheel .....		
X	22	1			123044008/0	Elektronikspole .....	Electronic coil .....		Inkl. pos 23
X	23	1			123053002/0	• Tändstiftshatt .....	• Spark plug cap .....		
X	24	1			23051000/0	Tändstift .....	Spark plug .....		
X	25	1			183065021/0	Jordkabel .....	Earth cable .....		
X	26	1			123280033/0	Packning .....	Gasket .....		
X	27	1			123054022/0	Förgasare .....	Carburettor .....		
X	28	1			123220009/0	Lufffilter .....	Air filter .....		
X	29	1			183090005/0	Lufffilterkåpa .....	Air filter cover .....		
X	30	1			123280028/0	Packning .....	Gasket .....		
X	31	1			183740006/0	Ljuddämpare .....	Muffler .....		
X	32	1			183215005/0	Koppling .....	Clutch unit .....		
X	33	1			183058021/0	Start .....	Starter .....		Inkl. pos 34
X	34	1			123300007/0	• Starthandtag .....	• Starter handle .....		
X	35	1			123082002/0	Startkopp .....	Starter cup .....		
X	36	1			183733005/0	Bränsletank .....	Fuel tank .....		Inkl. pos 37- 38
X	37	1			183790008/0	• Tanklock .....	• Tank cap .....		
X	38	1			183520004/0	• Bränslefilter .....	• Fuel intake filter .....		



Utgåva Issue		Bildnr Picture No		SB 29D RÖJARE		SB 29D BRUSH CUTTER		Sida Page	
2008- 12		1487A						300	
Pos. Fig.	Antal/Quantity				Art nr Part No	Benämning	Description	Sats Kit	Anmärkning Notes
	3521 -11								
1	1			8561600	Transmissionsstöd .....	Transmission support .....		Inkl. pos 2-5	
2	1			3112170	• Kullager .....	• Ball bearing .....			
3	1			3353080	• Låsring .....	• Circlip .....			
4	2			2123140	• Skruv .....	• Screw .....			
5	1			2123150	• Skruv .....	• Screw .....			
6	4			2135160	Skruv .....	Screw .....			
7	1			4251410	Drivaxel .....	Transmission shaft .....		Inkl. pos 8-9	
8	1			3642221	• Lagernav .....	• Bearing hub .....			
9	1			4121881/1	• Kopplingshjul .....	• Clutch drum .....			
10	1			83869052/0	Transmissionsrör .....	Transmission tube .....			
11	1			2135040	Skruv .....	Screw .....			
12	1			23780000/0	Fäste- sele .....	Harness support .....			
13	1			2412030	Mutter .....	Nut .....			
14	1			123066014/0	Gaswire .....	Throttle cable .....			
15	1			123065024/0	Kabel .....	Cable .....			
16	1			123065025/0	Jordkabel .....	Earth cable .....			
19	1			23395050/0	• Handtagsgrepp .....	• Handgrip .....			
20	1			83394003/0	Styre kpl .....	Handle assy .....		Inkl. pos 19	
21	1			8563830	Handtag kpl .....	Handle assy .....		Inkl. pos 22- 29	
22	1			2123030	• Skruv .....	• Screw .....			
23	1			3654270/1	• Fjäder .....	• Spring .....			
24	1			3743431/1	• Gasreglage .....	• Throttle lever .....			
25	1			3743441	• Säkerhetsspärr .....	• Safety lever .....			
26	1			3654280/1	• Fjäder .....	• Spring .....			
27	1			3210970	• Brytare .....	• Switch .....			
28	1			12154330/0	• Mutter .....	• Nut .....			
29	1			2135050	• Skruv .....	• Screw .....			
30	1			23655001/0	Reduktion .....	Reduction .....			
31	4			2135060	Skruv .....	Screw .....			
32	1			4541500/1	Styrfäste- övre .....	Handgrip support- uppe .....			
33	1			4541490/1	Styrfäste- mitten .....	Handle support- middle .....			
34	1			4541510	Styrfäste- undre .....	Handgrip support- lowe .....			
35	2			2135050	Skruv .....	Screw .....			
38	2			2312150	Bricka .....	Washer .....			
39	2			2135060	Skruv .....	Screw .....			
40	1			2135030	• Skruv .....	• Screw .....			
41	1			3615000	• Kniv .....	• Line cutter .....			
42	1			2432040	• Mutter .....	• Nut .....			
43	1			2312150	• Bricka .....	• Washer .....			
44	1			8563570	Stänkskydd kpl .....	Safety cover assy .....		Inkl. pos 40- 43	
45	1			4253460	Sele .....	Harness .....			
98	1			9959905	Skyddsglasögon .....	Protective goggles .....		Tillbehör/accessory	

X  
X  
X



Utgåva Issue 2008-12		Bildnr Picture No 1488C		SB 29- SB 29D RÖJARE SNÄCKVÄXEL		SB 29- SB 29D BRUSH CUTTER GEAR CASE		Sida Page 302	
Pos. Fig.	Antal/Quantity				Art nr Part No	Benämning	Description	Sats Kit	Anmärkning Notes
	3520 3521 -11								
1	1				4252770/2	Snäckväxel kpl.....	Gear case assy.....		Inkl. pos 9, 15
7	2				2135050	Skruv.....	Screw.....		
8	1				2653090	Skruv.....	Screw.....		
9	1				2653460	• Skruv.....	• Screw.....		
15	1				3121180	• Tätningsring.....	• Oil seal.....		
16	1				3660680	Hylsa.....	Collar.....		
17	1				3641650	Ringmutter- övre.....	Ring nut- upper.....		
18	1				3612650	Ringmutter- nedre.....	Ring nut- lower.....		
19	1				4560610	Stabilisator kpl.....	Stabilizer assy.....		Inkl. pos 20 - 21
20	1				2321230	• Bricka.....	• Washer.....		
21	1				2653170	• Skruv.....	• Screw.....		
22	1				4611880	Röjklina.....	Blade.....		4T - Ø 255 mm
23	1				6031172	Röjklina.....	Blade.....		3T - Ø 255 mm
31	1				4353240/1	Skärhuvud kpl.....	Cutting head assy.....		M8x1,25 SX male
99	1				1911-9008-04	Skärtråd (2.4 mm).....	Cutting line (2.4 mm).....		0.45 kg (90 m)
99	1				1911-9008-08	Skärtråd (2.4 mm).....	Cutting line (2.4 mm).....		15 m