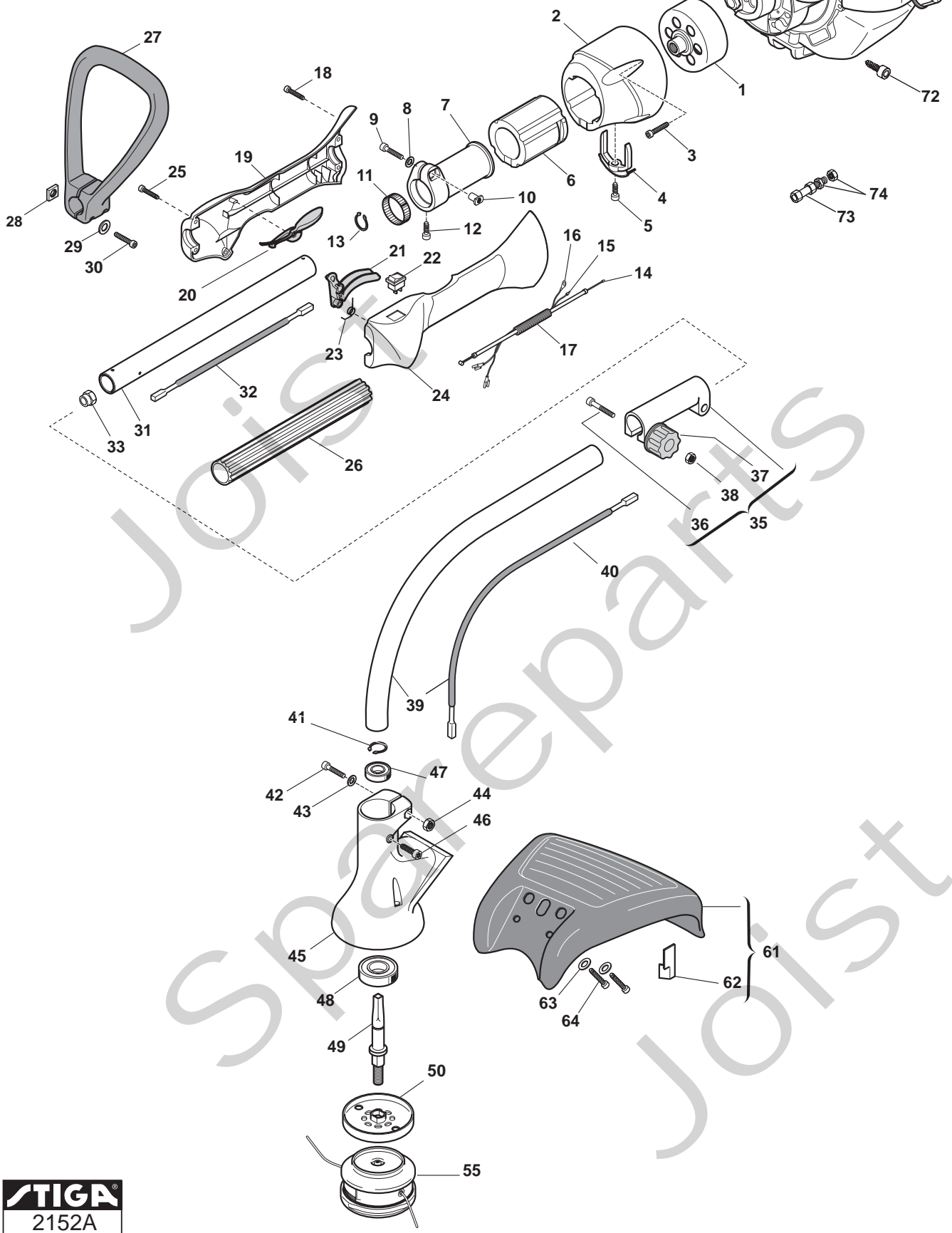
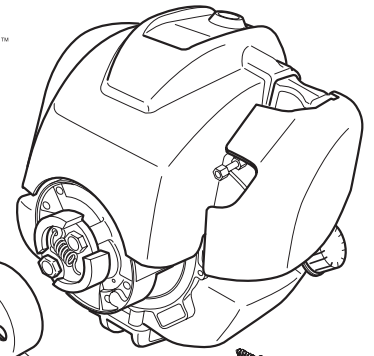


Genuine Spare Parts



Joist
Spareparts
Joist

POWERED by
HONDA



Utgåva Issue		Bildnr Picture No		ST 425J TRIMMER		ST 425J TRIMMER		Sida Page	
2007- 12		2152A						280	
Pos. Fig.	Antal/Quantity				Art nr Part No	Benämning	Description	Sats Kit	Anmärkning Notes
	1042 -11								
1	1			83050004/0	Kopplingshjul.....	Clutch drum			
2	1			23782005/0	Transmissionsstöd	Transmission support			
3	4			2135160	Skruv	Screw			
4	1			23232001/0	Gaffel	Fork			
5	1			2123100	Skruv	Screw			
6	1			23275000/0	Hylsa	Grommet			
7	1			23782003/0	Stöd	Support			
8	1			2312020	Bricka	Washer			
9	1			2135040	Skruv	Screw			
10	1			3643470	Bussning	Bushing			
11	1			3180560	Reduktion	Reduction			
12	1			2653090	Skruv	Screw			
13	1			12608600/0	Låsring	Seegerring			
14	1			23066000/0	Gaswire	Throttle cable			
15	1			23065000/0	Kabel	Cable			
16	1			23065004/0	Jordkabel	Earth cable			
17	1			23290000/0	Kabelhölje	Wire sheath			
18	1			2123100	Skruv	Screw			
19	1			23700002/0	Handtag- hö	Handle- RH			
20	1			23315055/0	Säkerhetsspärr	Safety lever			
21	1			23315054/0	Gasreglage	Throttle lever			
22	1			3210970	Brytare	Switch			
23	1			23430551/1	Fjäder	Spring			
24	1			23700003/0	Handtag- vä	Handle- LH			
25	4			2123030	Skruv	Screw			
26	1			23170000/0	Värmeisolering	Heat insulator			
27	1			23300000/0	Handtag- främre	Handle- front			
28	2			2461030	Mutter	Nut			
29	2			2312090	Bricka	Washer			
30	2			2135050	Skruv	Screw			
31	1			83869053/0	Drivaxelrör	Transmission pipe			
32	1			23020007/0	Drivaxel	Drive shaft			
33	1			23650001/0	Axelhylsa	Shaft sleeve			
35	1			83260000/0	Rörkoppling kpl	Joint assy		Inkl. pos 36 - 38	
36	1			12689500/0	• Skruv	• Screw			
37	1			23593500/0	• Låsrott	• Locking knob			
38	1			2412020	• Mutter	• Nut			
39	1			83869058/0	Drivaxelrör kpl	Transmission pipe		Inkl. pos 40	
40	1			23020014/0	• Drivaxel	• Drive shaft			
41	1			12608600/0	Låsring	Seegerring			
42	1			2135150	Skruv	Screw			
43	1			2312010	Bricka	Washer			
44	1			2412020	Mutter	Nut			
45	1			23056302/0	Transmissionshus	Gear case			
46	1			2123100	Skruv	Screw			
47	1			19216037/0	Kullager	Ball bearing			
48	1			3112280	Kullager	Ball bearing			
49	1			23020005/0	Åxel	Head shaft			
50	1			3614630	Övre ringmutter	Upper ring nut			
55	1			23155001/0	Skärhuvud kpl	Cutting head assy		M10x1,25 DX female	
61	1			83465001/0	Skyddskåpa kpl	Safety cover		Inkl. pos 62	
62	1			3614640	• Kniv	• Line cutter			
63	2			2312150	Bricka	Washer			
64	2			2123030	Skruv	Screw			
72	1			2135020	Skruv	Screw			
73	1			3630600/1	Kabeljustering	Wire adjuster			
74	2			2412090	Mutter	Nut			
98	1			9959905	Skyddsglasögon	Protective goggles		Tillbehör/accessory	
99	1			1911- 9008- 04	Skärtråd (2.4 mm)	Cutting line (2.4 mm)		0.45 kg (90 m)	
99	1			1911- 9008- 08	Skärtråd (2.4 mm)	Cutting line (2.4 mm)		15 m	