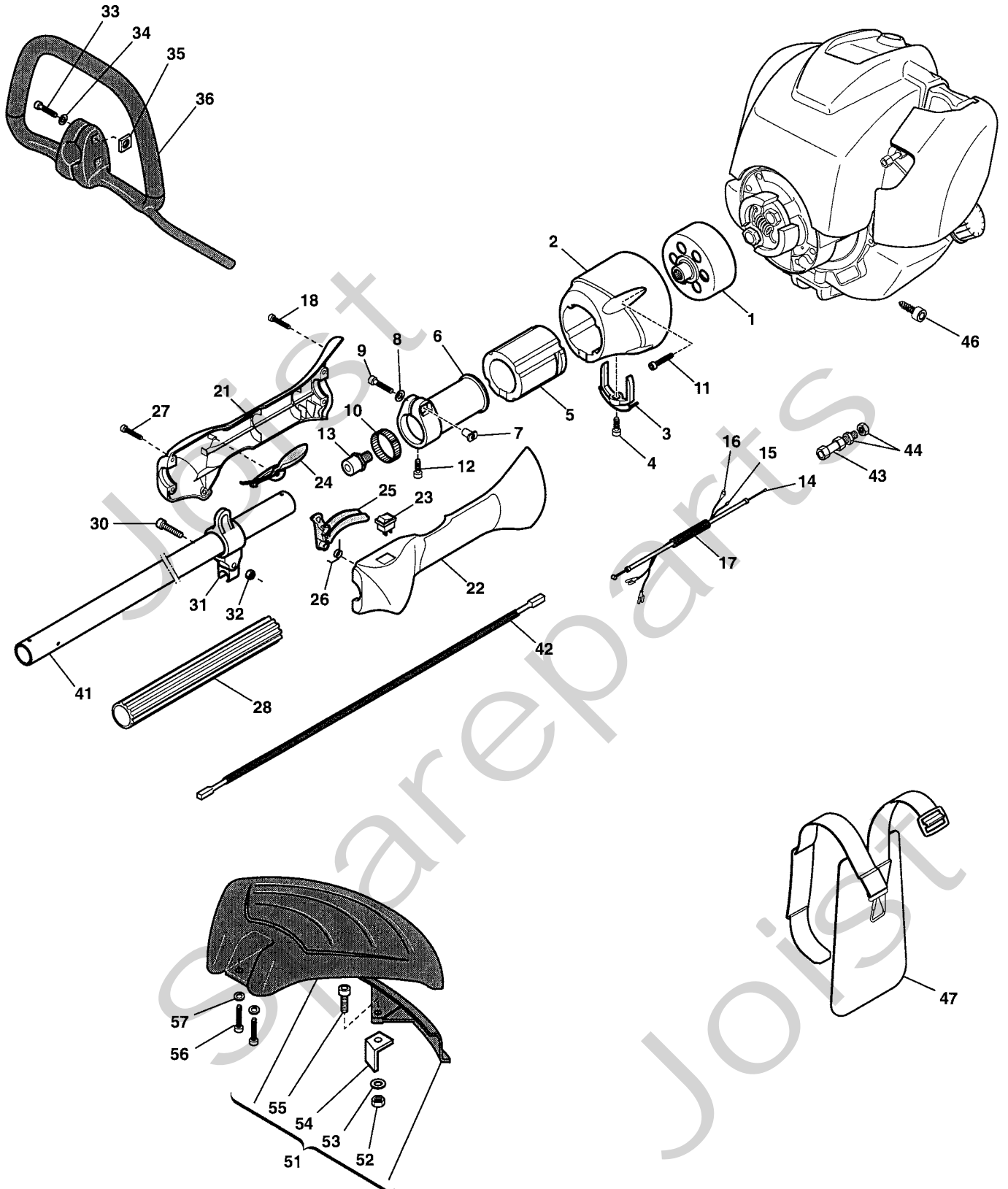


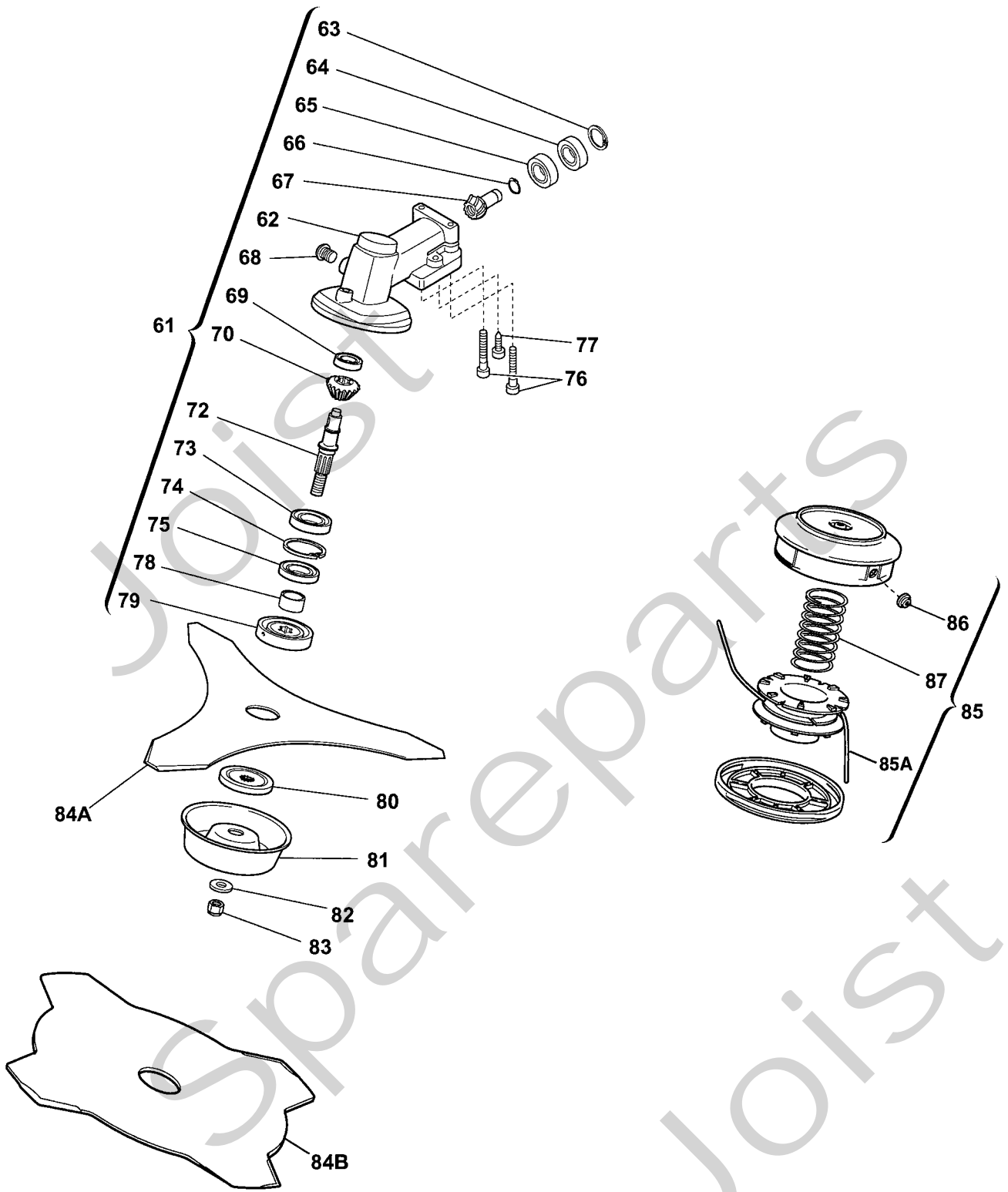
Genuine Spare Parts



Joist
Spareparts
Joist



Utgåva Issue		Bildnr Picture No		SB 425 RÖJARE RIGG		SB 425 BRUSH CUTTER DRIVE SHAFT		Sida Page	
2006- 12		1971						308	
Pos. Fig.	Antal/Quantity			Art nr Part No	Benämning	Description	Sats Kit	Anmärkning Notes	
	4403 -11								
1	1			1911-4206-01	Kopplingstrumma	Clutch drum			
2	1			1911-4189-01	Transmissionsstöd	Transmission support			
3	1			1911-4154-01	Gaffel	Fork			
4	1			1911-3002-01	Skruv	Screw			
5	1			1911-4155-01	Hylsa	Grommet			
6	1			1911-4188-01	Stöd	Support			
7	1			1911-4245-01	Bussning	Bushing			
8	1			1911-3267-01	Bricka	Washer			
9	1			1911-3007-01	Skruv	Screw			
10	1			1911-4236-01	Reducering	Reduction			
11	4			1911-3011-01	Skruv	Screw			
12	1			1911-3002-01	Skruv	Screw			
13	1			1911-4176-01	Lagernav	Bearing hub			
14	1			1911-4134-01	Gaswire	Throttle wire			
15	1			1911-4127-01	Kabel	Cable			
16	1			1911-4130-01	Jordkabel	Ground cable			
17	1			1911-4164-01	Kabelhölje	Wire sheath			
18	1			1911-3002-01	Skruv	Screw			
21	1			1911-4184-01	Handtag- hö	Handgrip- RH			
22	1			1911-4185-01	Handtag- vä	Handgrip- LH			
23	1			1911-3053-01	Stoppkontakt	Stop switch			
24	1			1911-4170-01	Säkerhetspörr	Safety lever			
25	1			1911-4169-01	Gasreglage	Throttle lever			
26	1			1911-4173-01	Fjäder	Spring			
27	4			1911-3001-01	Skruv	Screw			
28	1			1911-4152-01	Värmeisolering	Heat insulator			
30	1			1911-3007-01	Skruv	Screw			
31	1			1911-4187-01	Fäste- sele	Harness support			
32	1			1911-3278-01	Mutter	Nut			
33	2			1911-3008-01	Skruv	Screw			
34	2			1911-3015-01	Bricka	Washer			
35	2			1911-3023-01	Mutter	Nut			
36	1			1911-4166-01	Handtag- främre	Handle- front			
41	1			1911-4253-01	Transmissionsrör	Transmission tube			
42	1			1911-4258-01	Transmissionsaxel	Transmission shaft			
43	1			1911-3998-01	Wirejustering	Throttle cable adjust			
44	2			1911-4000-01	Mutter	Nut			
46	1			1911-3261-01	Skruv	Screw			
47	1			1911-3724-01	Sele	Harness			
51	1			1911-3201-01	Säkerhetskydd kpl.	Safety cover assy		Inkl. pos 52 - 55	
52	1			1911-3022-01	• Mutter	• Nut			
53	1			1911-3216-01	• Bricka	• Washer			
54	1			1911-3077-01	• Kniv	• Line cutter			
55	1			1911-3006-01	• Skruv	• Screw			
56	2			1911-3009-01	Skruv	Screw			
57	2			1911-3216-01	Bricka	Washer			
99	1			1911-3212-01	Skyddsglasögon	Protective goggles		Tillbehör/accessory	



Utgåva Issue 2006-12	Bildnr Picture No 1973A	SB 425- SB 426 RÖJARE SNÄCKVÄXEL	SB 425- SB 426 BRUSH CUTTER GEAR CASE	Sida Page 312
----------------------------	-------------------------------	--	---	---------------------

Pos. Fig.	Antal/Quantity				Art nr Part No	Benämning	Description	Sats Kit	Anmärkning Notes
	4403								
61	1				1911-4222-01	Snäckväxel kpl.....	Gear case assy.....		Inkl. pos 62 - 79
62	1				1911-4124-01	• Snäckväxelhus.....	• Gear case.....		
63	1				1911-3678-01	• Låsring.....	• Lock ring.....		
64	1				1911-3662-01	• Kullager.....	• Ball bearing.....		
65	1				1911-3038-01	• Kullager.....	• Ball bearing.....		
66	1				1911-3677-01	• Låsring.....	• Lock ring.....		
67	1				1911-4234-01	• Snäckdrev.....	• Pinion.....		
68	1				1911-3029-01	• Skruv.....	• Screw.....		
69	1				1911-3663-01	• Kullager.....	• Ball bearing.....		
X 70	1				1911-4457-01	• Drev.....	• Ring gear.....		
X 72	1				1911-4441-01	• Axel.....	• Shaft.....		
73	1				1911-3039-01	• Kullager.....	• Ball bearing.....		
74	1				1911-3679-01	• Låsring.....	• Lock ring.....		
75	1				1911-3664-01	• Tätningsring.....	• Seal ring.....		
76	2				1911-3008-01	• Skruv.....	• Screw.....		
77	1				1911-3025-01	• Skruv.....	• Screw.....		
78	1				1911-3690-01	• Hylsa.....	• Collar.....		
79	1				1911-3683-01	• Ringmutter- övre.....	• Ring nut- upper.....		
80	1				1911-3680-01	Ringmutter- nedre.....	Ring nut- lower.....		
81	1				1911-4242-01	Stabilisator.....	Stabilizer.....		
82	1				1911-4228-01	Bricka.....	Washer.....		
83	1				1911-4232-01	Mutter.....	Nut.....		
X 84A	1				1911-4530-01	Röjklina.....	Clearing blade.....	3T - Ø 255 mm	
84B	1				1911-3179-01	Röjklina.....	Clearing blade.....	4T - Ø 255 mm	
85	1				1911-4148-01	Skärhuvud kpl.....	Nylon head assy.....	Inkl. pos 86 - 87	
85A	1				1911-9008-04	Skärtråd (2.4 mm).....	Cutting line (2.4 mm).....	0.45 kg (90 m)	
85A	1				1911-9008-08	Skärtråd (2.4 mm).....	Cutting line (2.4 mm).....	15 m	
86	2				1911-3875-01	• Trådhylsa.....	• Line inlet.....		
87	1				1911-3876-01	• Fjäder.....	• Spring.....		
98	1				1911-3853-01	Fettub.....	Grease tube.....	Ej ill/not ill.	
99	1				1911-3850-01	Klingskydd.....	Blade guard.....	Ej ill/not ill.	