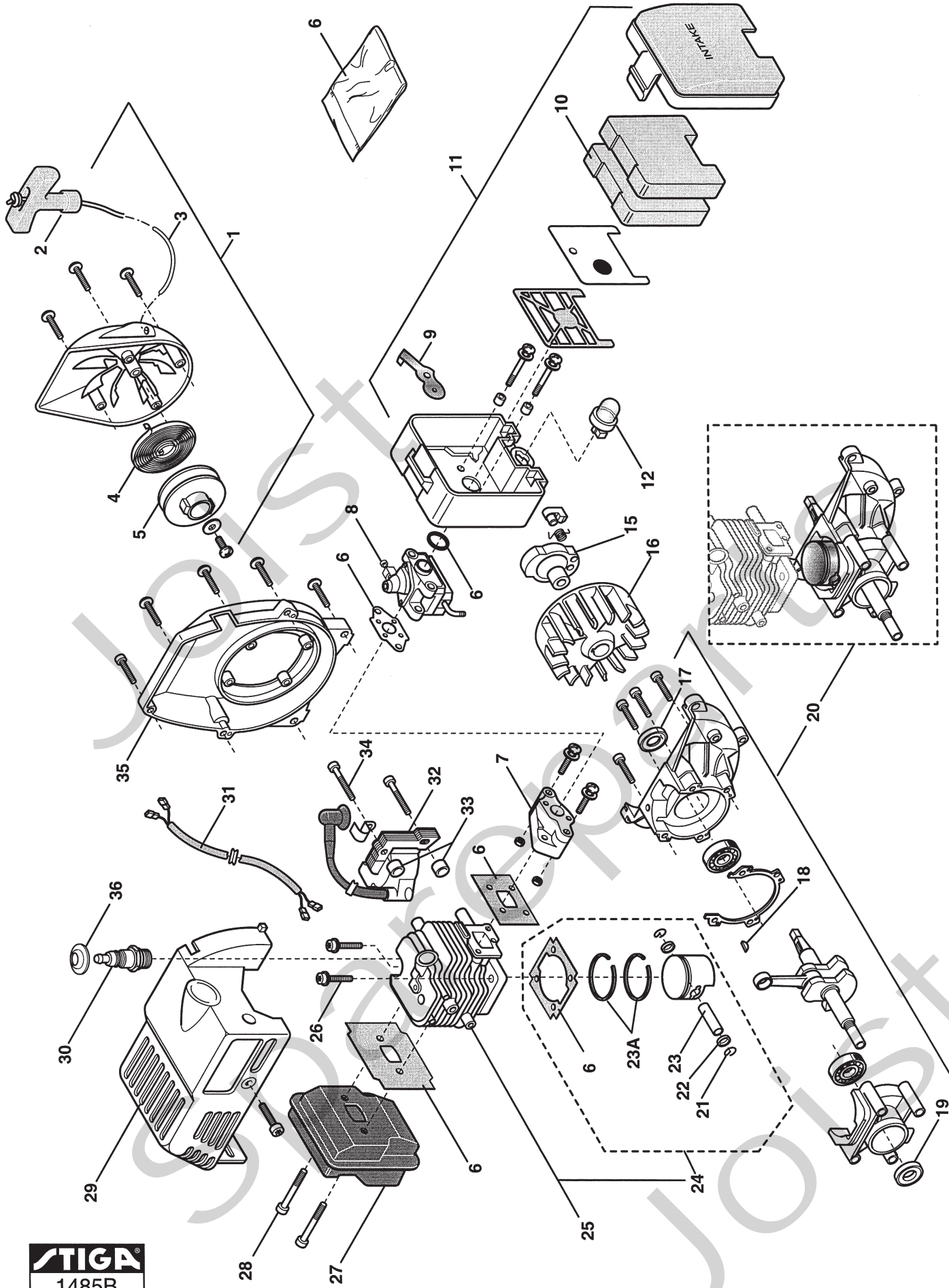


# Genuine Spare Parts

---

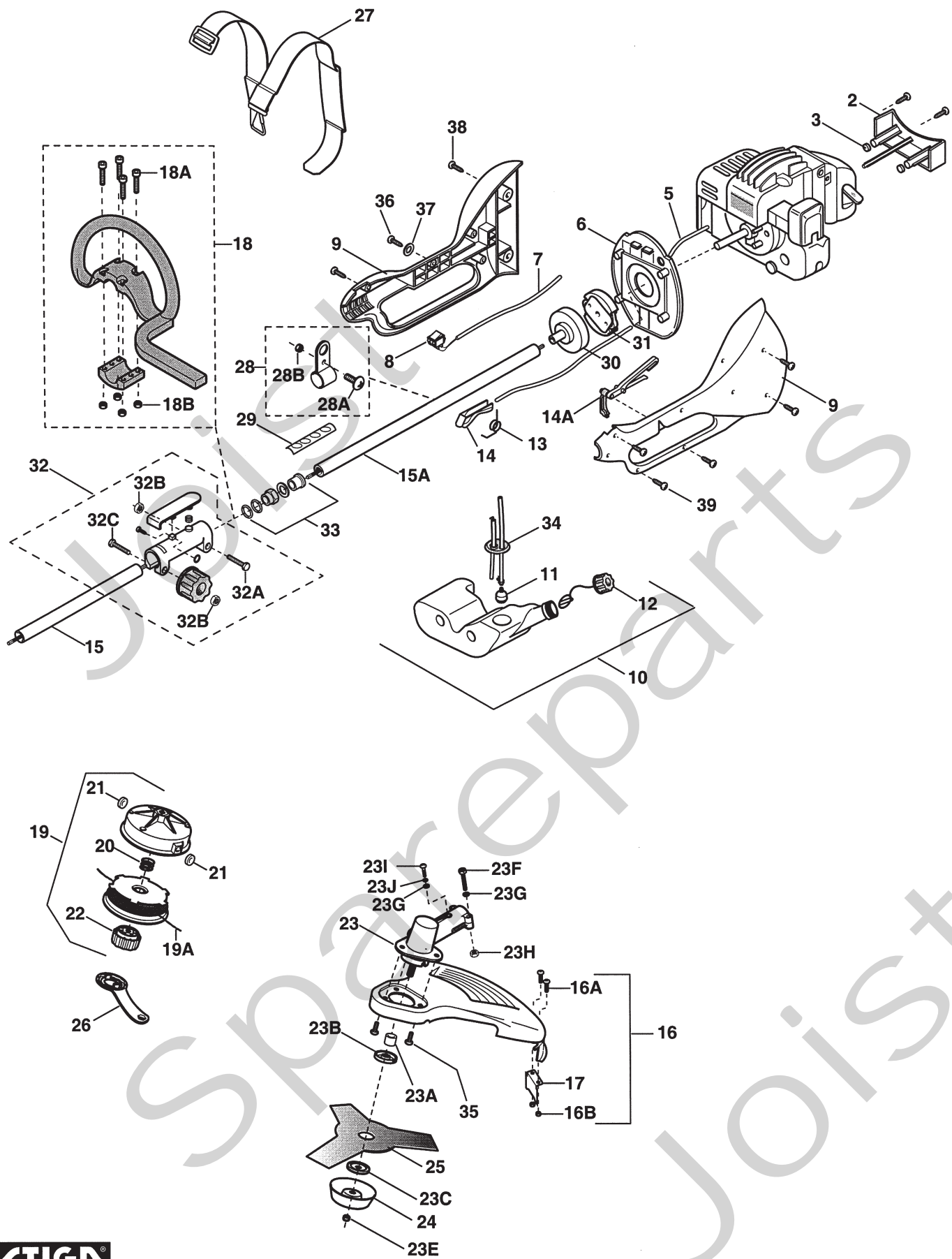


Joist  
Spareparts  
Joist



**STIGA**  
 1485B  
 SPARE PARTS

Utgåva Issue		Bildnr Picture No		ST 210- SB 22 MT 22CX- MB 22CX MOTOR		ST 210- SB 22 MT 22CX- MB 22CX ENGINE		Sida Page
2005- 12		1485B						254
Pos. Fig.	Antal/Quantity			Art nr Part No	Benämning	Description	Sats Kit	Anmärkning Notes
	1021 6110	MT 22CX MB 22CX						
1	1	1		1911-3781-01	Start kpl.....	Start assy.....		Inkl. pos 2 - 5
2	1	1		1911-3782-01	• Starthandtag.....	• Starter handle.....		
3	1	1		1911-3783-01	• Startsnöre.....	• Starter rope.....		
4	1	1		1911-3784-01	• Fjäder.....	• Spring.....		
5	1	1		1911-3785-01	• Linhjul.....	• Pulley.....		
6	1	1		1911-3786-01	Packningsatts.....	Gasket set.....		
7	1	1		1911-3787-01	Förgasarfäste.....	Carburettor base.....		
8	1	1		1911-3788-01	Förgasare kpl.....	Carburettor assy.....		
X 8A	1	1		1911-2062-01	Gasspjäll m.axel.....	Throttle valve & shaf.....		Ej ill/not ill.
9	1	1		1911-3789-01	• Chokespjäll.....	• Choke valve.....		
10	2	2		1911-3790-01	• Luftfilter.....	• Air filter.....		
11	1	1		1911-3791-01	Luftfilter kpl.....	Air filter assy.....		Inkl. pos 9 - 10
12	1	1		1911-3792-01	Primer.....	Primer.....		
15	1	1		1911-3855-01	Startspärr kpl.....	Starter pawl assy.....		
16	1	1		1911-3796-01	Svånghjul.....	Flywheel.....		
17	1	1		1911-3797-01	• Tätningring.....	• Seal ring.....		
18	1	1		1911-3798-01	• Kil.....	• Key.....		
19	1	1		1911-3799-01	• Tätningring.....	• Seal ring.....		
20	1	1		1911-3800-01	Short- block.....	Short- block.....		
21	2	2		1911-3801-01	• • Låsring.....	• • Lock ring.....		
22	2	2		1911-3802-01	• • Packning.....	• • Gasket.....		
23	1	1		1911-3803-01	• • Kolvbult.....	• • Piston pin.....		
23A	2	2		1911-3816-01	• • Kolvring.....	• • Piston ring.....		
24	1	1		1911-3804-01	• Kolv kpl.....	• Piston assy.....		Inkl. pos 21 - 23A
25	1	1		1911-3805-01	Cylinder kpl m.kolv.....	Cylinder assy w.pisto.....		Inkl. pos 24
26	2	2		1911-3806-01	Skruv.....	Screw.....		
27	1	1		1911-3807-01	Ljuddämpare.....	Muffler.....		
28	2	2		1911-3808-01	Skruv.....	Screw.....		
29	1	1		1911-3809-01	Motorkåpa.....	Engine shield.....		
30	1	1		9400-0258-00	Tändstift.....	Spark plug.....		Champion CJ7Y
31	1	1		1911-3810-01	Kablage.....	Wiring harness.....		
32	1	1		1911-3811-01	Elektronikspole.....	Electronic coil.....		
33	2	2		1911-3812-01	Distans.....	Spacer.....		
34	2	2		1911-3813-01	Skruv.....	Screw.....		
35	1	1		1911-3814-01	Svånghjulslock.....	Flywheel cover.....		
36	1	1		1911-3815-01	Tändstiftsskydd.....	Spark plug cover.....		



Utgåva Issue 2005- 12		Bildnr Picture No 1616B		SB 22 MB 22CX RÖJARE RIGG		SB 22 MB 22CX BRUSH CUTTER DRIVE SHAFT		Sida Page 252
Pos. Fig.	Antal/Quantity			Art nr Part No	Benämning	Description	Sats Kit	Anmärkning Notes
	6110	MB 22CX						
	2	1	1	1911-3761-01	Platta .....	Fixed plate .....		
	3	4	4	1911-3762-01	Isolator .....	Insulator .....		
	5	1	1	1911-3911-01	Gaswire .....	Throttle cable .....		
	6	1	1	1911-3763-01	Lock .....	Cover .....		
	7	1	1	1911-3764-01	Jordkabel .....	Ground wire .....		
	8	1	1	1911-3918-01	Strömbrytare .....	Switch .....		
	9	1	1	1911-3919-01	Kåpa kpl- gul .....	Housing assy- yellow .....		
X	9		1	6980325	Kåpa kpl- röd .....	Housing assy- red .....		
	10	1	1	1911-3766-01	Bränsletank kpl .....	Fuel tank assy .....		Inkl. pos 11, 12, 34
	11	1	1	1911-3767-01	• Bränslefilter .....	• Fuel pick- up .....		
	12	1	1	1911-3912-01	• Tanklock .....	• Fuel tank cap .....		
	13	1	1	1911-3769-01	Fjäder .....	Spring .....		
	14	1	1	1911-3914-01	Gasreglage .....	Throttle trigger .....		
	14A	1	1	1911-3915-01	Säkerhetsspärr .....	Safety lever .....		
	15	1	1	1911-3916-01	Rör nedre m.drivaxel .....	Lower tube w.shaft .....		
	15A	1	1	1911-3917-01	Rör övre m.drivaxel .....	Upper tube w.shaft .....		
	16	1	1	1911-3896-01	Stenskydd kpl .....	Stone guard assy .....		Inkl. pos 17
X	16A	2	2	9865-0520-16	• Skruv .....	• Screw .....		
	16B	2	2	9747-0531-02	• Mutter .....	• Nut .....		
	17	1	1	1911-3772-01	• Kniv .....	• Line cutter blade .....		
	18	1	1	1911-3897-01	Handtag främre kpl .....	Front handle assy .....		
	18A	4	4	9865-0530-16	• Skruv .....	• Screw .....		
	18B	4	4	9747-0531-02	• Mutter .....	• Nut .....		
	19	1	1	1911-3895-01	Skärhuvud kpl .....	Cutting head assy .....		Inkl. pos 20 - 22
	19A	1	1	1911-9007-04	Skärtråd (2.0 mm) .....	Cutting line (2.0 mm) .....		0.45 kg (130 m)
	19A	1	1	1911-9007-08	Skärtråd (2.0 mm) .....	Cutting line (2.0 mm) .....		15 m
	20	1	1	1911-3898-01	• Fjäder .....	• Spring .....		
	21	2	2	1911-3899-01	• Trådhylsa .....	• Line inlet .....		
	22	1	1	1911-3757-01	• Ratt (vå-gänga) .....	• Knob (LH- thread) .....		
	23	1	1	1911-3900-01	Snäckväxel kpl .....	Gear case assy .....		
	23A	1	1	1911-3901-01	Hylsa .....	Collar .....		
	23B	1	1	1911-3902-01	Övre ringmutter .....	Upper ring nut .....		
	23C	1	1	1911-3903-01	Nedre ringmutter .....	Lower ring nut .....		
	23E	1	1	1911-3905-01	Mutter .....	Nut .....		
	23F	2	2	9997-0535-12	• Skruv .....	• Screw .....		
	23G	3	3	9699-0024-02	• Planbricka .....	• Flat washer .....		
	23H	2	2	9739-0531-22	• Mutter .....	• Nut .....		
	23I	1	1	9865-0512-16	• Skruv .....	• Screw .....		
	23J	1	1	9683-0015-02	• Låsbricka .....	• Lock washer .....		
	24	1	1	1911-3906-01	Stabiliserings-skål .....	Stabilizer bowl .....		
	25	1	1	1911-3920-01	Röjklina .....	Clearing blade .....		
	26	1	1	1911-3907-01	Nyckel- skärhuvud .....	Key- cutting head .....		3T
	27	1	1	1911-3908-01	Sele .....	Harness .....		
	28	1	1	1911-3909-01	Fäste f.sele .....	Harness support .....		
	28A	1	1	9865-0510-16	• Skruv .....	• Screw .....		
	28B	1	1	9747-0531-02	• Mutter .....	• Nut .....		
	29	1	1	1911-3910-01	Dekal- säkerhet .....	Label- safety .....		
	30	1	1	1911-3780-01	Kopplingshjul .....	Clutch drum .....		
	31	1	1	1911-3779-01	Koppling .....	Clutch .....		
	32	1	1	1911-3777-01	Rörkoppling kpl .....	Tube joint .....		
X	32A	1	1	9939-0630-12	• Skruv .....	• Screw .....		
	32B	2	2	9799-0631-02	• Mutter .....	• Nut .....		
	32C	1	1	9997-0635-12	• Skruv .....	• Screw .....		
	33	1	1	1911-3776-01	Axelhylsa .....	Shaft sleeve .....		
	34	1	1	1911-3929-01	• Gummiringstättning .....	• Grommet .....		
	35	3	3	1911-3013-01	Skruv .....	Screw .....		
X	36	2	2	1911-4262-01	Skruv .....	Screw .....		
X	37	2	2	1911-4263-01	Bricka .....	Washer .....		
X	38	8	8	1911-4264-01	Skruv .....	Screw .....		
X	39	6	6	1911-4265-01	Skruv .....	Screw .....		