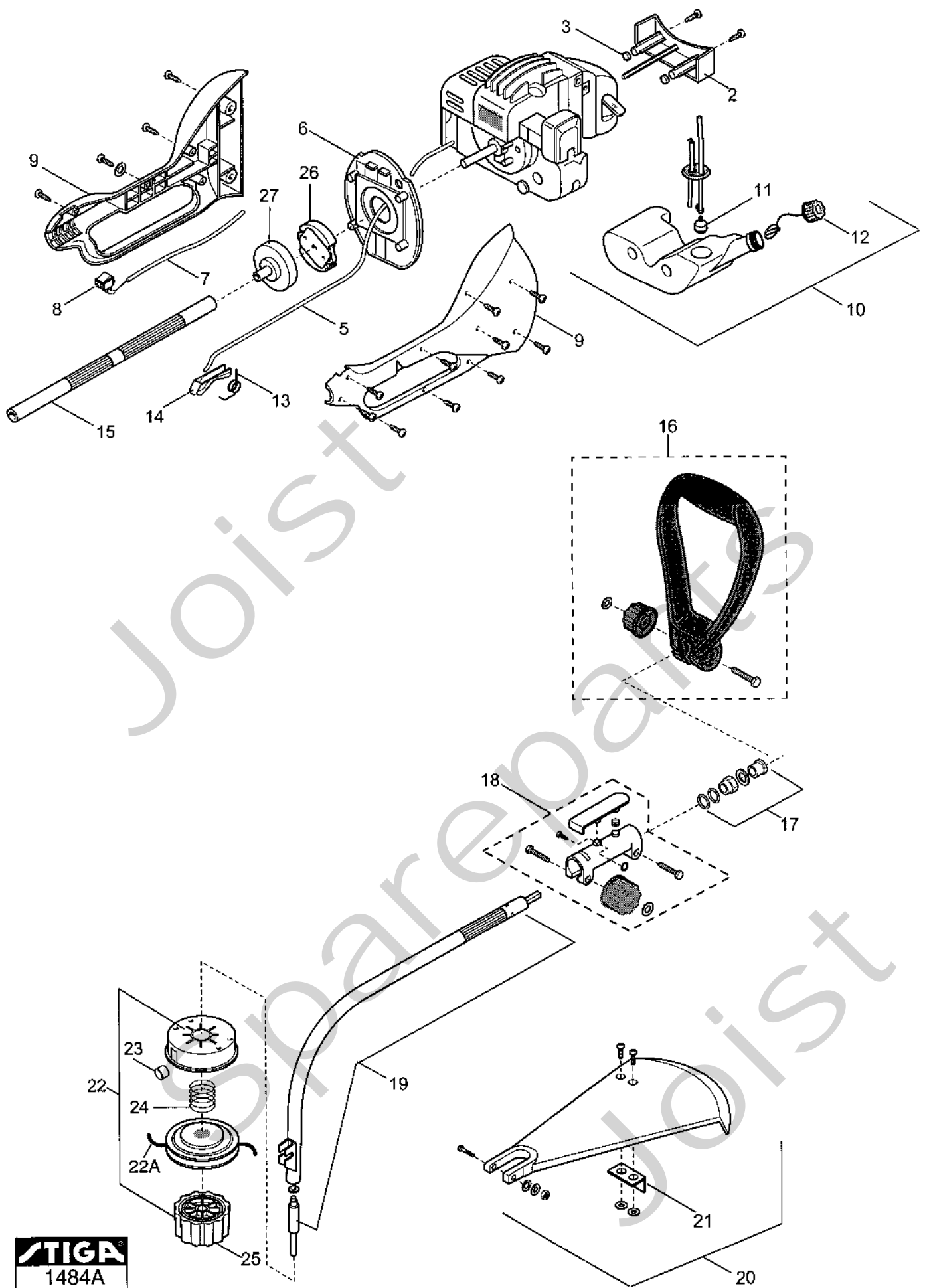


# Genuine Spare Parts

---

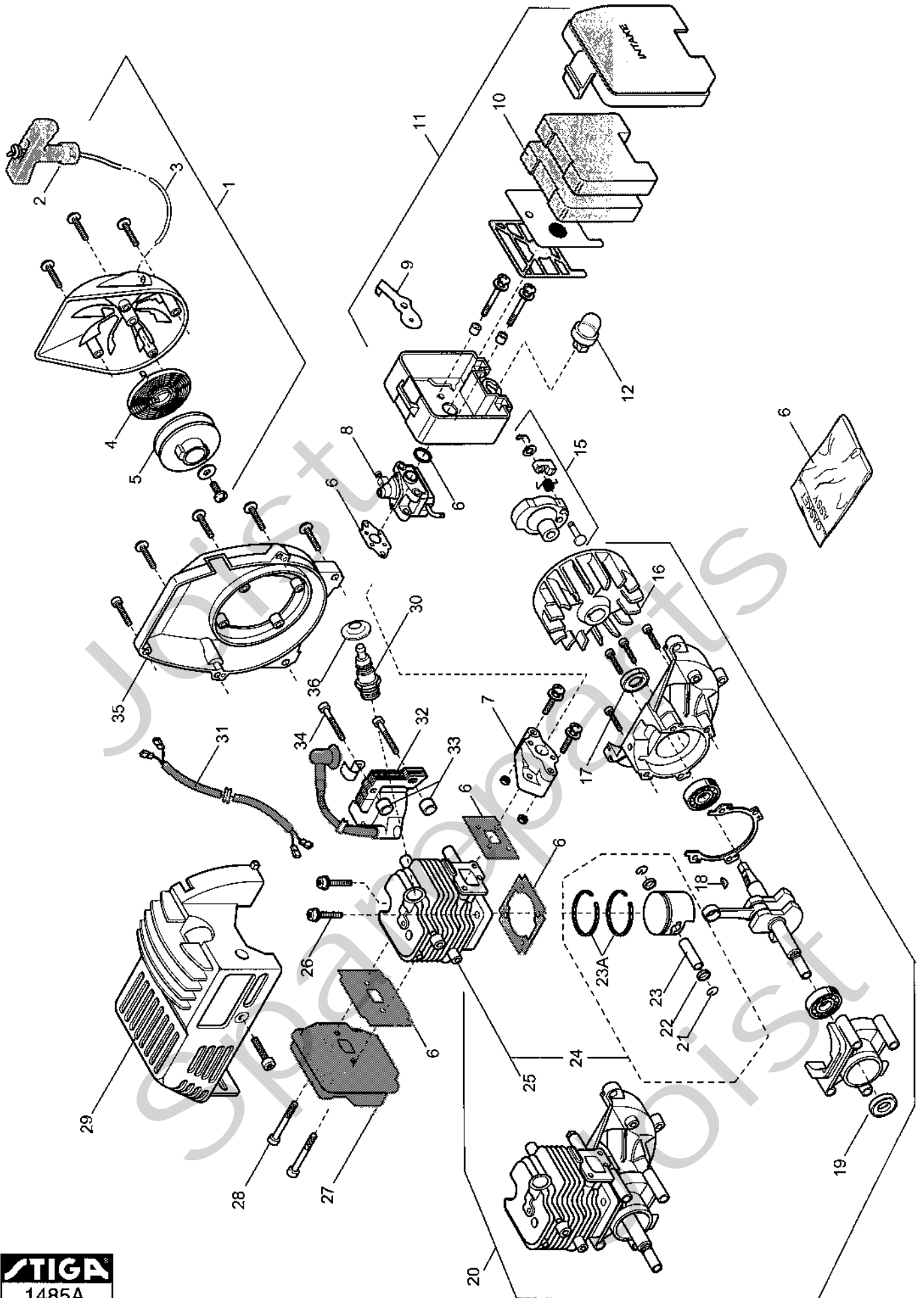


Spareparts  
Joist



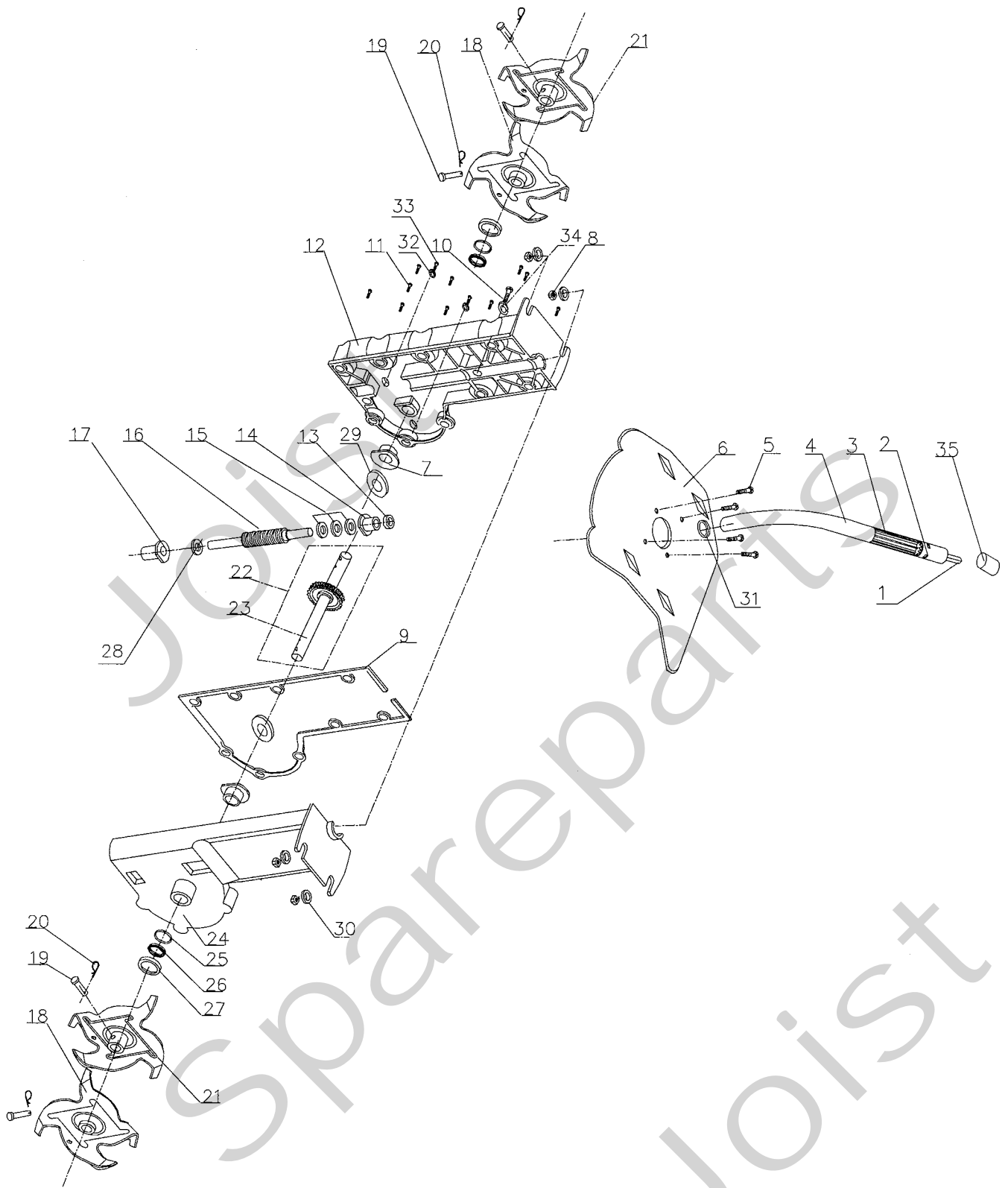
**STIGA**  
 1484A  
 SPARE PARTS

Utgåva Issue 2003-43		Bildnr Picture No 1484A		ST 210 TRIMMER RIGG SKÄRHUVUD		ST 210 TRIMMER DRIVE SHAFT STRINGHEAD		Sida Page 272	
Pos. Fig.	Antal/Quantity			Art nr Part No	Benämning	Description	Sats Kit	Anmärkning Notes	
	1021								
2	1			1911-3761-01	Platta .....	Fixed plate .....			
3	4			1911-3762-01	Isolator .....	Insulator .....			
5	1			1911-3773-01	Gaswire .....	Throttle cable .....			
6	1			1911-3763-01	Lock .....	Cover .....			
7	1			1911-3764-01	Jordkabel .....	Ground wire .....			
8	1			1911-3765-01	Brytare .....	Switch .....			
9	1			1911-3774-01	Hus kpl (vä+hö) .....	Housing assy (L+R) .....			
10	1			1911-3766-01	Bränsletank kpl .....	Fuel tank assy .....		Inkl. pos 11, 12	
11	1			1911-3767-01	• Bränslefilter .....	• Fuel pick-up .....			
12	1			1911-3768-01	• Tanklock .....	• Fuel cap .....			
13	1			1911-3769-01	Fjäder .....	Spring .....			
14	1			1911-3770-01	Gasreglage .....	Throttle trigger .....			
15	1			1911-3775-01	Rör bakre m.flexaxel .....	Rear tube w.flex shaf .....			
16	1			1911-3756-01	Handtag kpl .....	Handle assy .....			
17	1			1911-3776-01	Axelhylsa .....	Shaft sleeve .....			
18	1			1911-3777-01	Rörkoppling kpl .....	Tube joint .....			
19	1			1911-3778-01	Rör främre m.flexaxel .....	Front tube w.flex sh .....			
20	1			1911-3771-01	Skydd kpl .....	Shield assy .....		Inkl. pos 21	
21	1			1911-3772-01	• Kniv .....	• Line cutter blade .....			
22	1			1911-3760-01	Skärhuvud kpl .....	Cutterhead assy .....		Inkl. pos 23 - 25	
22A	1			1911-9007-04	Skärtråd (2.0 mm) .....	Cutting line (2.0 mm) .....		0.45 kg (130 m)	
22A	1			1911-9007-08	Skärtråd (2.0 mm) .....	Cutting line (2.0 mm) .....		15 m	
23	2			1911-3759-01	• Trådhylsa .....	• Grommet .....			
24	1			1911-3758-01	• Fjäder .....	• Spring .....			
25	1			1911-3757-01	• Ratt .....	• Knob .....			
26	1			1911-3779-01	Koppling .....	Clutch .....			
27	1			1911-3780-01	Kopplingshjul .....	Clutch drum .....			



Utgåva Issue		Bildnr Picture No		ST 210-SB 22 MOTOR		ST 210-SB 22 ENGINE		Sida Page	
2003- 43		1485A						276	
Pos. Fig.	Antal/Quantity			Art nr Part No	Benämning	Description	Sats Kit	Anmärkning Notes	
	1021 6110								
1	1			1911-3781-01	Start kpl.....	Start assy.....		Inkl. pos 2 - 5	
2	1			1911-3782-01	• Starthandtag.....	• Starter handle.....			
3	1			1911-3783-01	• Startsnöre.....	• Starter rope.....			
4	1			1911-3784-01	• Fjäder.....	• Spring.....			
5	1			1911-3785-01	• Linhjul.....	• Pulley.....			
6	1			1911-3786-01	Packningssats.....	Gasket set.....			
7	1			1911-3787-01	Förgasarfäste.....	Carburettor base.....			
8	1			1911-3788-01	Förgasare kpl.....	Carburettor assy.....			
9	1			1911-3789-01	• Chokespjäll.....	• Choke valve.....			
10	2			1911-3790-01	• Luftfilter.....	• Air filter.....		Inkl. pos 9 - 10	
11	1			1911-3791-01	Luftfilter kpl.....	Air filter assy.....			
12	1			1911-3792-01	Primer.....	Primer.....			
15	1			1911-3855-01	Startspärr kpl.....	Starter pawl assy.....			
16	1			1911-3796-01	Svånghjul.....	Flywheel.....			
17	1			1911-3797-01	• Tätningring.....	• Seal ring.....			
18	1			1911-3798-01	• Käl.....	• Key.....			
19	1			1911-3799-01	• Tätningring.....	• Seal ring.....			
20	1			1911-3800-01	Short-block.....	Short-block.....			
21	2			1911-3801-01	• • Låsring.....	• • Lock ring.....			
22	2			1911-3802-01	• • Packning.....	• • Gasket.....			
23	1			1911-3803-01	• • Kolvbult.....	• • Piston pin.....			
23A	2			1911-3816-01	• • Kolvring.....	• • Piston ring.....			
24	1			1911-3804-01	• Kolv kpl.....	• Piston assy.....		Inkl. pos 21 - 23A Inkl. pos 24	
25	1			1911-3805-01	Cylinder kpl m.kolv.....	Cylinder assy w.pisto.....			
26	2			1911-3806-01	Skruv.....	Screw.....			
27	1			1911-3807-01	Ljuddämpare.....	Muttler.....			
28	2			1911-3808-01	Skruv.....	Screw.....			
29	1			1911-3809-01	Motorkåpa.....	Engine shield.....			
30	1			9400-0258-00	Tändstift.....	Spark plug.....		Champion CJ7Y	
31	1			1911-3810-01	Kablage.....	Wiring harness.....			
32	1			1911-3811-01	Elektronikspole.....	Electronic coil.....			
33	2			1911-3812-01	Distans.....	Spacer.....			
34	2			1911-3813-01	Skruv.....	Screw.....			
35	1			1911-3814-01	Svånghjulslock.....	Flywheel cover.....			
36	1			1911-3815-01	Tändstiftsskydd.....	Spark plug cover.....			

X



Utgåva Issue		Bildnr Picture No		KULTIVATOR ST 210-SB 22 ART.NR 19-1921-11		CULTIVATOR ST 210-SB 22 ART.NO 19-1921-11		Sida Page	
2004-12		1733						366	
Pos. Fig.	Antal/Quantity			Art nr Part No	Benämning	Description	Sats Kit	Anmärkning Notes	
	1921								
X	1	1		1911-2011-01	Flexaxel.....	Flex shaft.....			
X	2	1		1911-2030-01	Bricka .....	Washer.....			
X	3	1		1911-2014-01	Bussning .....	Bushing.....			
X	4	1		1911-2010-01	Rör .....	Steel tube.....			
X	5	4		1911-2027-01	Skruv .....	Screw.....			
X	6	1		1911-2006-01	Skydd .....	Guard shield.....			
X	7	2		1911-2016-01	Bussning .....	Bushing.....			
X	8	4		1911-2026-01	Mutter.....	Nut.....			
X	9	1		1911-2015-01	Packning.....	Gasket.....			
X	10	1		1911-2019-01	Skruv .....	Screw.....			
X	11	10		1911-2028-01	Skruv .....	Screw.....			
X	12	1		1911-2022-01	Transm.hus- hö.....	Gearbox- RH.....			
X	13	1		1911-2008-01	Tätningring .....	Oil seal.....			
X	14	1		1911-2017-01	Bussning .....	Bushing.....			
X	15	1		1911-2013-01	Lager .....	Bearing.....			
X	16	1		1911-2007-01	Snäckskruv .....	Worm shaft.....			
X	17	1		1911-2018-01	Bussning .....	Bushing.....			
X	18	2		1911-2024-01	Rotor .....	Blade.....			
X	19	4		1911-2020-01	Sprint.....	Pin.....			
X	20	4		1911-2021-01	Låssprint .....	Pin lock.....			
X	21	2		1911-2025-01	Rotor .....	Blade.....			
X	22	1		1911-2012-01	Axel m drev .....	Spiral gear assy.....		Inkl. pos 23	
X	24	1		1911-2023-01	Transm.hus- vä.....	Gearbox- LH.....			
X	25	2		1911-2001-01	O-ring .....	O-ring.....			
X	26	2		1911-2000-01	Bricka .....	Washer.....			
X	27	2		1911-2009-01	Filtring .....	Dust ring.....			
X	28	1		1911-2004-01	Bricka .....	Washer.....			
X	29	2		1911-2003-01	Bricka .....	Washer.....			
X	30	4		1911-2031-01	Bricka .....	Washer.....			
X	31	1		1911-2002-01	O-ring .....	O-ring.....			
X	32	2		1911-2005-01	Bricka .....	Washer.....			
X	33	2		1911-2029-01	Skruv .....	Screw.....			
X	34	1		1911-2032-01	Fjäderbricka .....	Spring washer.....			
X	35	1		1911-2033-01	Skyddshatt.....	Sleeve.....			