

Genuine Spare Parts

www.stiga.com

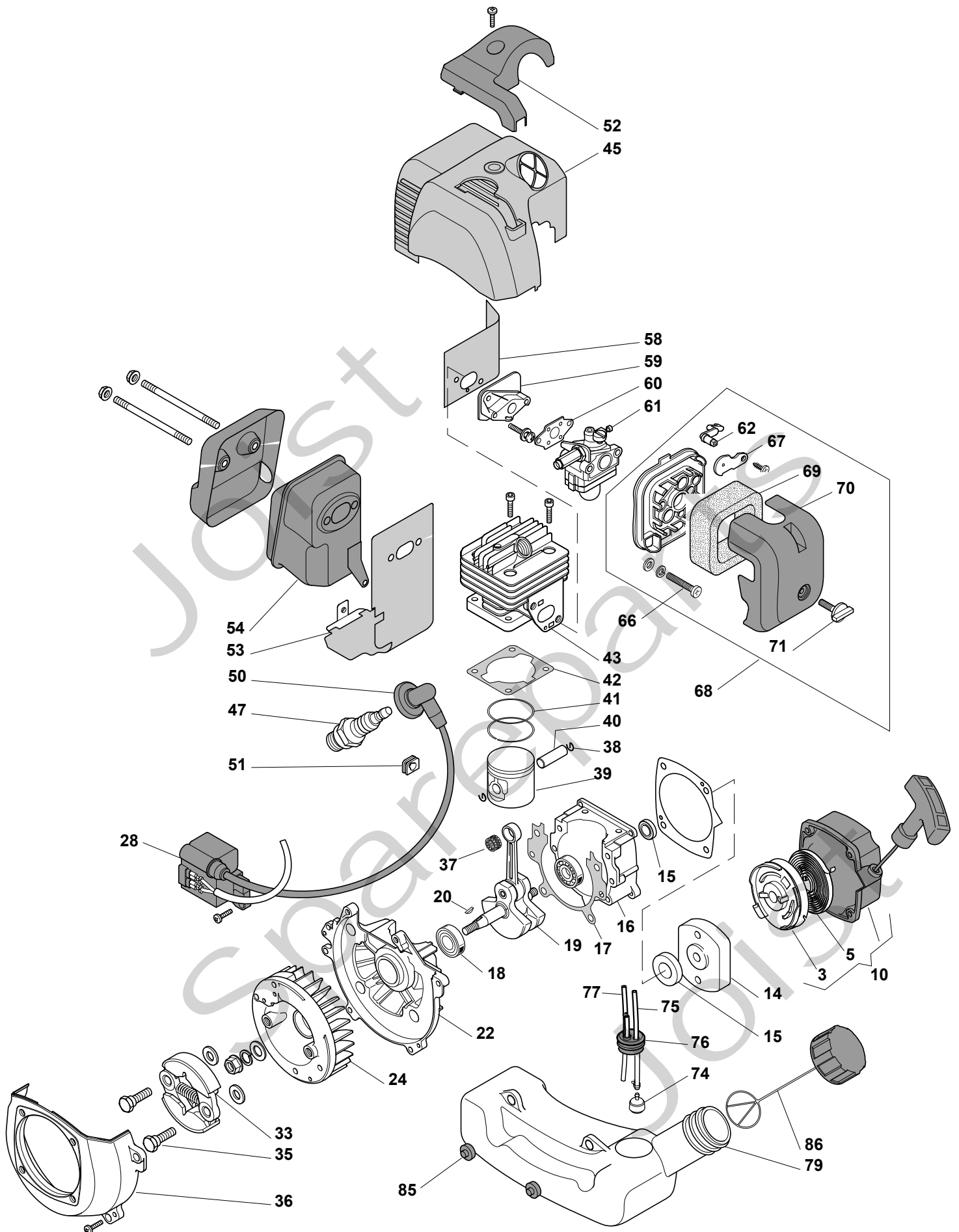
BJ 325 Model Year 2011

- Use GLOBAL GARDEN PRODUCT Genuine Spare Parts specified in the parts list for repair and/or replacement.
- The contents described in the parts list may change due to improvement.
- The drawings of the spare parts are only indicative and might not represent the part in question exactly.
- The indications "right" - "left" - "front" - "rear" refer to the position of the operator when using the machine.
- When placing orders of parts for repair and/or replacement, make sure that the illustrated parts list is the one applying to the machine's year of manufacture, as shown on the identification plate attached to the machine.

COPYRIGHT by GLOBAL GARDEN PRODUCTS

All rights reserved. No part of this material may be reproduced or transmitted, in any form or by any means, electronic or mechanical, including photocopying, recording or by any information storage and retrieval system, without permission in writing from GLOBAL GARDEN PRODUCTS.

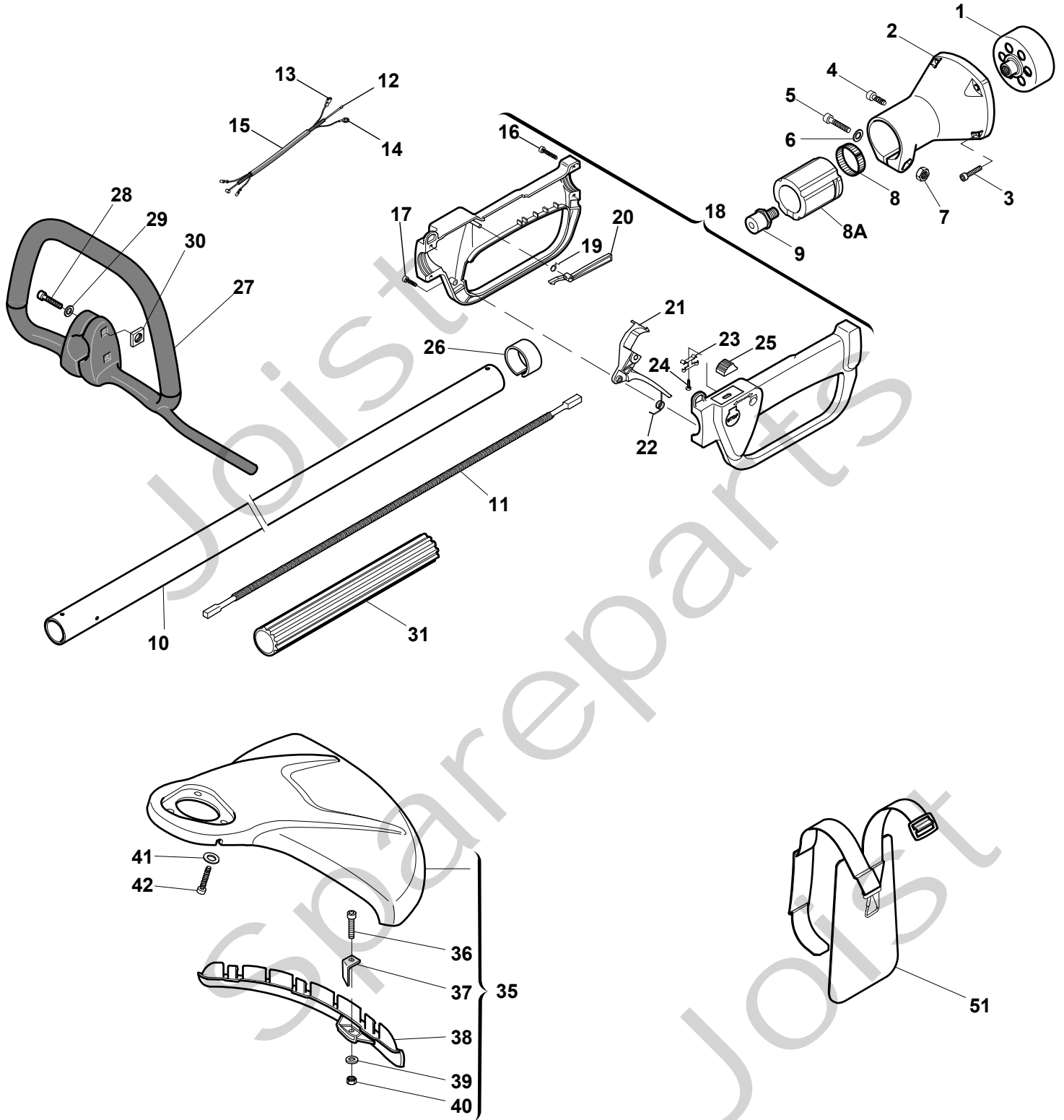






BJ 325 - Model Year 2011

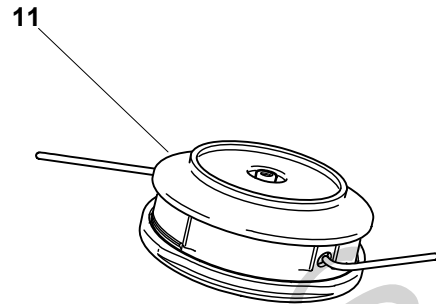
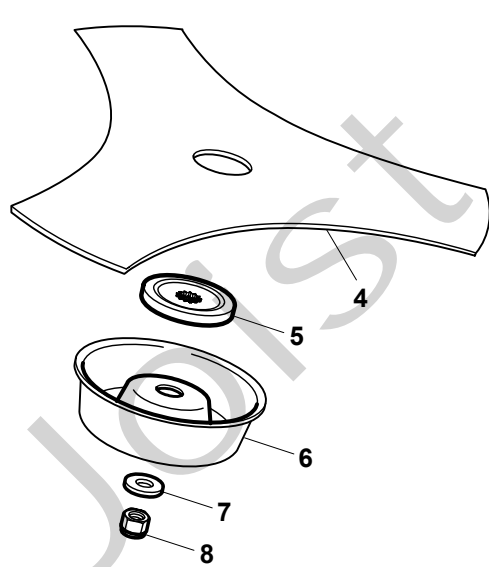
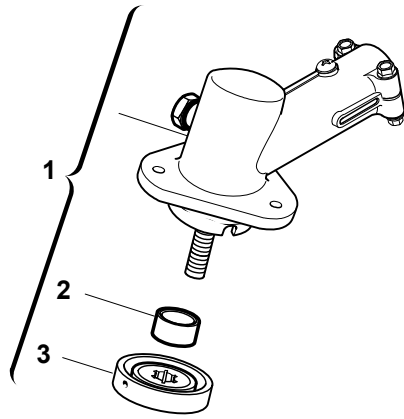
Pos. Fig.	Antal Quantity	Art No Part No	Benämning	Description	Anmärkning Notes
2	1	123604006/0	Linhjul	Starter Pulley	
4	1	123430584/0	Startfjäder	Spring	
10	1	183058031/0	Start kpl	Starter Ass.Y	
14	1	183082002/1	Star kopp	Starter Cup Ass.Y	
15	2	119035159/0	Tätningring	Seal Ring	
16	1	123685024/0	Vevhus	Crank Case	
17	1	123280046/0	Packning	Gasket	
18	2	114215218/0	Kullager	Ball Bearing	
19	1	123020024/0	Vevaxel	Crankshaft	
20	1	123072002/0	Kil	Key	
22	1	123685025/0	Vevhus	Crank Case	
24	1	123880017/0	Svånghjul	Flywheel	
27	1	112154200/0	Mutter	Nut	
28	1	123044015/0	Elektronikspole	Ignition Ass'Y	
32	1	123430582/0	Fjäder	Spring	
33	2	123400002/0	Koppling	Clutch Unit	
35	2	123878057/0	Skruv	Screw	
36	1	123208421/0	Transm.stödhus	Transm.Support Case	
37	1	123235006/0	Nållager	Needle Bearing	
38	2	123202005/0	Låsring	Washer, Piston Pin	
39	1	123590007/0	Kolv	Piston	
40	1	123760005/0	Kolvbult	Piston Pin	
41	2	123204009/0	Kolvring	Piston Ring	
42	1	123280044/0	Cylinderkåpa	Cylinder Gasket	
43	1	123071021/0	Cylinder	Cylinder	
45	1	123087023/0	Cylinderkåpa	Cylinder Cover Yellow	
47	1	3210024	Tändstift	Spark Plug	
50	1	123053002/0	Tändstiftshatt	Spark Plug Cover	
51	1	123275023/0	Hylsa	Grommet	
52	1	123109551/0	Tändstiftshatt	Cover, Spark Plug	
53	1	123280042/0	Packning	Gasket	
54	1	183740021/0	Ljuddämpare	Muffler	
58	1	123280084/0	Packning	Intake Manif-Gasket	
59	1	123073519/0	Insugningsrör	Intake Manifold	
60	1	123280059/0	Packning	Intake-Carb Gasket	
61	1	123054025/1	Förgasare	Carburettor	
62	1	123315089/0	Chokearm	Choke Lever	
66	2	2132160	Skruv	Screw	
67	1	123190000/0	Arm	Shutter	
68	1	183220003/0	Luftfilter	Air Filter	
69	1	123220011/0	Luftfilter	Air Filter	
70	1	123090026/0	Luftfilterlock	Air Cleaner Cover	
71	1	123878056/0	Knopp	Knob	
72	1	123784009/0	Fäste	Support	
73	1	123275033/0	Gummihylsa	Grommet	
74	1	183520005/0	Bränslefilter	Intake Filter	
75	1	123867030/0	Rör	Tube	
76	1	123275021/0	Gummihylsa	Grommet	
77	1	123867031/0	Rör	Tube	
79	1	123733002/0	Bränsletank kpl	Kit Fuel Tank	
85	2	123280060/0	Gummihylsa	Grommet	
86	1	183790009/0	Tanklock	Fuel Cap Assy	





BJ 325 - Model Year 2011

Pos. Fig.	Antal Quantity	Art No Part No	Benämning	Description	Anmärkning Notes
1	1	83050004/0	Kopplingshjul	Drum Ass'Y, Clutch	
2	1	23782004/0	Transmissionsstöd	Support Trasm.Assy	
3	4	2135160	Skruv	Screw	
4	1	2653090	Skruv	Screw	
5	1	2135150	Skruv	Screw	
6	1	2312010	Bricka	Washer	
7	1	2412020	Mutter	Nut	
8A	1	23597500/0	Stöd	Support	
8	2	23655002/0	Reduktion	Reduction	
9	1	23445258/0	Lagernav	Bearing Hub	
10	1	83869052/0	Transmissionsrör	Transmission Pipe Ass.Y	
11	1	23020009/0	Transmissionsaxel	Transmission Shaft Ass.Y	
12	1	4252540	Gaswire	Cable, Trottle	
13	1	23065012/0	Kabel	Coil-Switch Cable	
14	1	3211120	Jordkabel	Earth Cable (Black)	
15	1	3786030	Hölje	Wire Sheath	
16	4	2123030	Skruv	Screw	
17	2	2123100	Skruv	Screw	
18	1	8562620/1	Handtag kpl	Handle Ass.Y (Incl.2-12)	
19	1	3654300	Fjäder	Spring	
20	1	3743475	Säkerhetsspärr	Safety Lever	
21	1	3743465	Gasreglage	Throttle Lever	
22	1	3654270/1	Fjäder	Spring	
23	1	3612710	Stopplatta	Stop Plate	
24	1	2123070	Skruv	Screw	
25	1	3749270	Stoppknapp	Stop Knob	
26	2	3749920	Reduktion	Reduction	
27	1	23300001/0	Handtag-främre	Front Handle	
28	2	2135050	Skruv	Screw	
29	2	2312090	Bricka	Washer	
30	2	2461030	Mutter	Nut	
31	1	23170000/0	Värmeisolering	Spacer	
35	1	83465003/0	Skyddskåpa	Safety Cover Ass.Y	
36	1	2135030	Skruv	Screw	
37	1	3615000	Kniv	Line Cutter	
38	1	23600051/0	Hjulskydd	Protection	
39	1	2312150	Bricka	Washer	
40	1	2432040	Mutter	Nut	
41	3	2312150	Bricka	Washer	
42	3	2135180	Skruv	Screw	
51	1	4253460	Sele	Harness	



Pos. Fig.	Antal Quantity	Art No Part No	Benämning	Description	Anmärkning Notes
1	1	23820000/0	Snäckväxel kpl	Gear Case Assy	
2	1	6980307	Hylsa	Collar	
3	1	6980338	Övre ringmutter	Upper Ring Nut	
4	1	6031172	Röjklina	3 Teeth Disc 25 Cm	
5	1	3612650	Ringmutter-nedre	Lower Ring Nut	
6	1	3615300	Stabilisator	Stabilizer	
7	1	2321060	Bricka	Washer	
8	1	2452090	Mutter	Nut	
11	1	23155000/0	Skärhuvud kpl	2 Hedges Nylon Head	