

Genuine Spare Parts

www.stiga.com

SB 26 J Model Year 2010

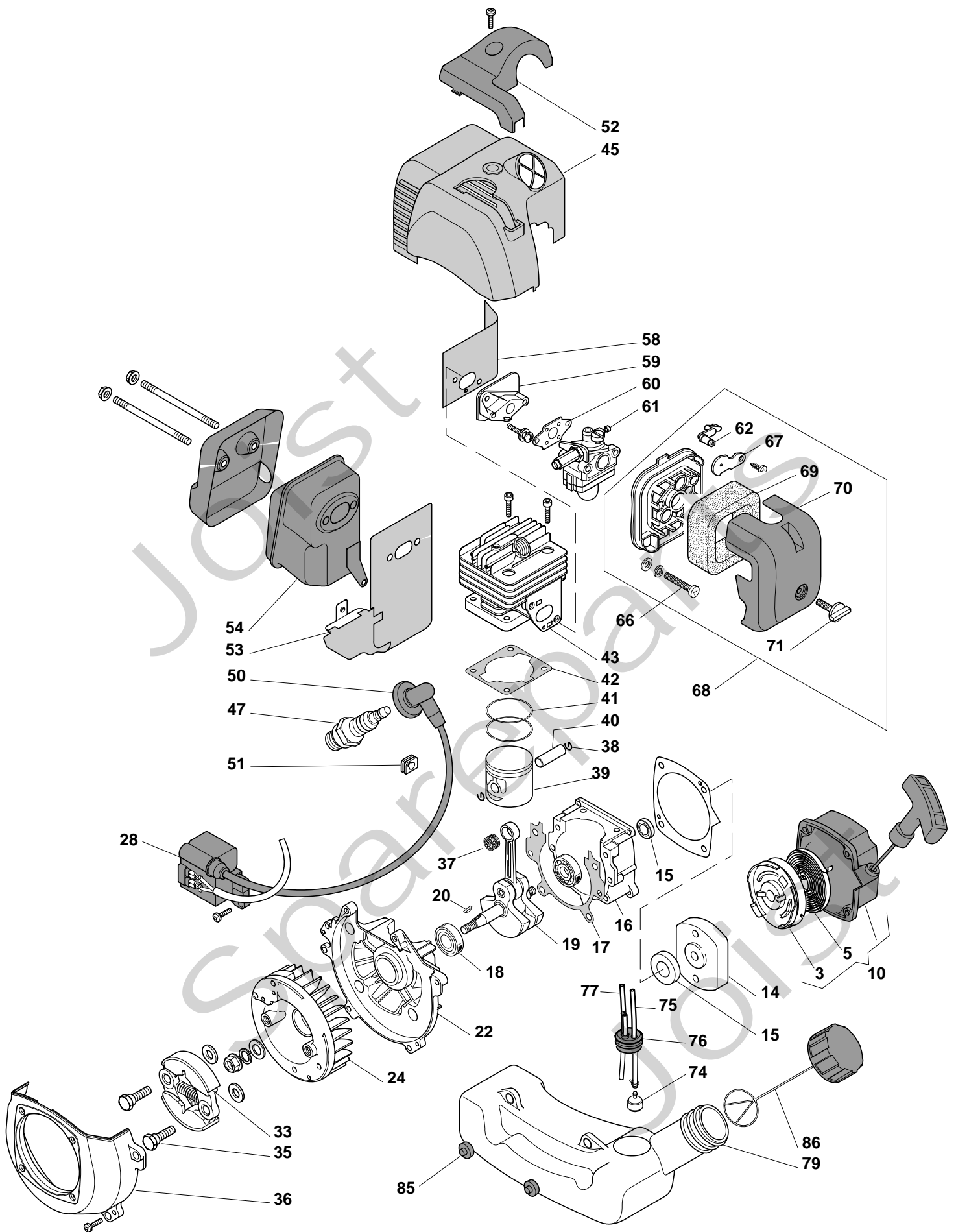
UPDATED ON 7 JUNE

- Use GLOBAL GARDEN PRODUCT Genuine Spare Parts specified in the parts list for repair and/or replacement.
- The contents described in the parts list may change due to improvement.
- The drawings of the spare parts are only indicative and might not represent the part in question exactly.
- The indications "right" - "left" - "front" - "rear" refer to the position of the operator when using the machine.
- When placing orders of parts for repair and/or replacement, make sure that the illustrated parts list is the one applying to the machine's year of manufacture, as shown on the identification plate attached to the machine.

COPYRIGHT by GLOBAL GARDEN PRODUCTS

All rights reserved. No part of this material may be reproduced or transmitted, in any form or by any means, electronic or mechanical, including photocopying, recording or by any information storage and retrieval system, without permission in writing from GLOBAL GARDEN PRODUCTS.

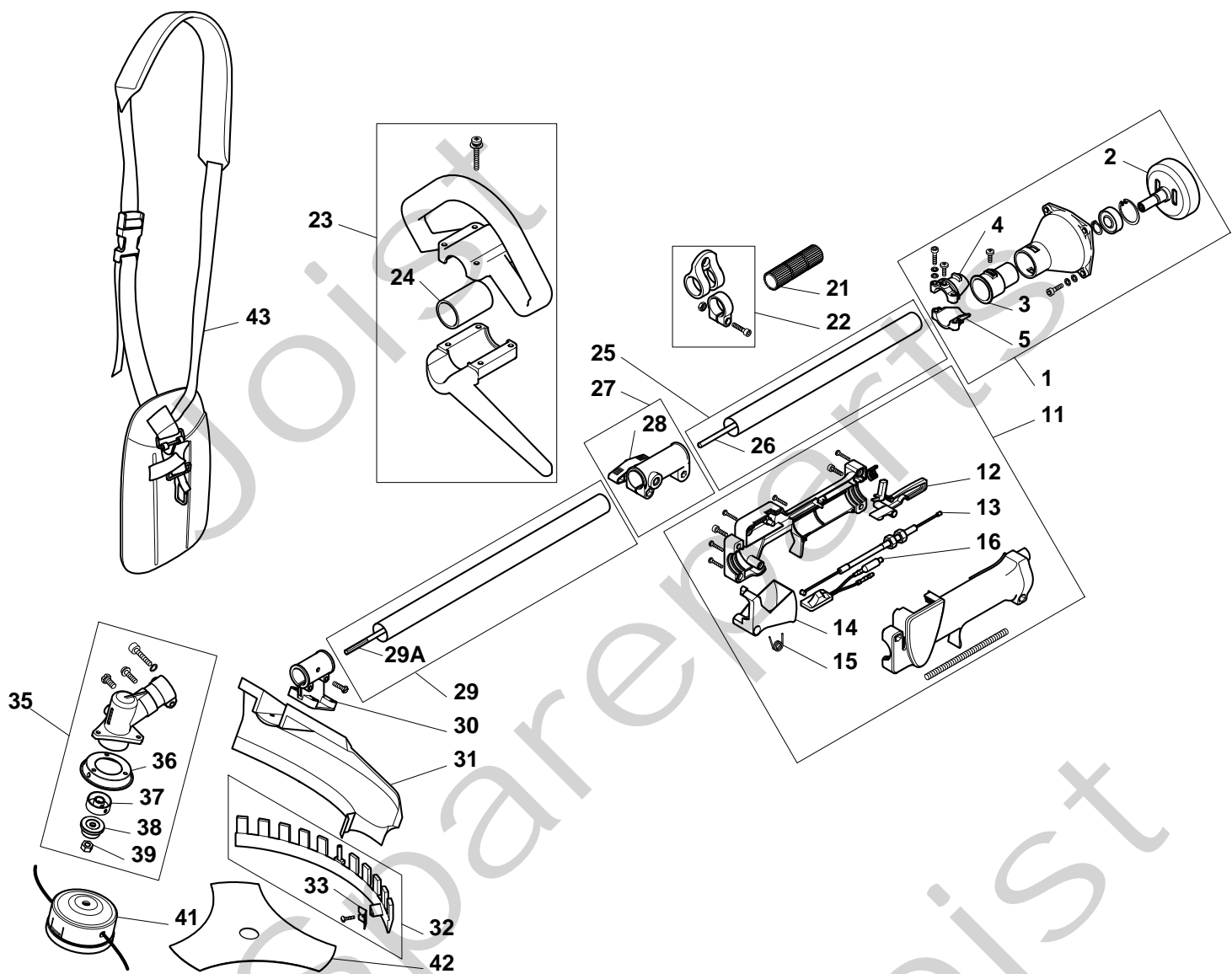






SB 26 J - Model Year 2010

Pos. Fig.	Antal Quantity	Art No Part No	Benämning	Description	Anmärkning Notes
2	1	123604006/0	Linhjul	Starter Pulley	
4	1	123430584/0	Startfjäder	Spring	
10	1	183058031/0	Start kpl	Starter Ass.Y	
14	1	183082002/1	Star kopp	Starter Cup Ass.Y	
15	2	119035159/0	Tätningring	Seal Ring	
16	1	123685024/0	Vevhus	Crank Case	
17	1	123280046/0	Packning	Gasket	
18	2	114215218/0	Kullager	Ball Bearing	
19	1	123020024/0	Vevaxel	Crankshaft	
20	1	123072002/0	Kil	Key	
22	1	123685025/0	Vevhus	Crank Case	
24	1	123880010/0	Svånghjul	Flywheel	
27	1	112154200/0	Mutter	Nut	
28	1	123044017/0	Elektronikspole	Electronic Coil	
32	1	123430582/0	Fjäder	Spring	
33	2	123400002/0	Koppling	Clutch Unit	
35	2	123878057/0	Skruv	Screw	
36	1	123208421/0	Transm.stödhus	Transm.Support Case	
37	1	123235006/0	Nållager	Needle Bearing	
38	2	123202005/0	Låsring	Washer, Piston Pin	
39	1	123590007/0	Kolv	Piston	
40	1	123760005/0	Kolvbult	Piston Pin	
41	2	123204009/0	Kolvring	Piston Ring	
42	1	123280044/0	Cylinderkåpa	Cylinder Gasket	
43	1	123071021/0	Cylinder	Cylinder	
45	1	123087023/0	Cylinderkåpa	Cylinder Cover Yellow	
47	1	3210024	Tändstift	Spark Plug	
50	1	123053002/0	Tändstiftshatt	Spark Plug Cover	
51	1	123275023/0	Hylsa	Grommet	
52	1	123109551/0	Tändstiftshatt	Cover, Spark Plug	
53	1	123280042/0	Packning	Gasket	
54	1	183740021/0	Ljuddämpare	Muffler	
58	1	123280084/0	Packning	Intake Manif-Gasket	
59	1	123073519/0	Insugningsrör	Intake Manifold	
60	1	123280059/0	Packning	Intake-Carb Gasket	
61	1	123054025/1	Förgasare	Carburettor	
62	1	123315089/0	Chokearm	Choke Lever	
66	2	2132160	Skruv	Screw	
67	1	123190000/0	Arm	Shutter	
68	1	183220003/0	Luftfilter	Air Filter	
69	1	123220011/0	Luftfilter	Air Filter	
70	1	123090026/0	Luftfilterlock	Air Cleaner Cover	
71	1	123878056/0	Knopp	Knob	
72	1	123784009/0	Fäste	Support	
73	1	123275033/0	Gummihylsa	Grommet	
74	1	183520005/0	Bränslefilter	Intake Filter	
75	1	123867030/0	Rör	Tube	
76	1	123275021/0	Gummihylsa	Grommet	
77	1	123867031/0	Rör	Tube	
79	1	123733002/0	Bränsletank kpl	Kit Fuel Tank	
85	2	123280060/0	Gummihylsa	Grommet	
86	1	183790009/0	Tanklock	Fuel Cap Assy	





SB 26 J - Model Year 2010

Pos. Fig.	Antal Quantity	Art No Part No	Benämning	Description	Anmärkning Notes
1	1	183785003/0	Transmissionsstöd	Support Trasm.Assy	
2	1	123050011/0	Kopplingshjul	Drum Ass'Y, Clutch	
3	1	123275036/0	Gummihylsa	Grommet	
4	1	123720005/0	Fäste	Support	
5	1	123720004/0	Fäste	Support	
11	1	183300027/0	Handtag kpl	Handle Assy	
12	1	123315104/0	Säkerhetsspärr	Safety Lever	
13	1	123066026/0	Gaswire	Throttle Cable	
14	1	123315105/0	Gasreglage	Throttle Lever	
15	1	123430612/0	Fjäder	Spring	
16	1	183303002/0	Brytare	Switch	
21	1	123170004/0	Distans	Spacer	
22	1	183780002/0	Fäste-sele	Harness Support Ass.Y	
23	1	183300025/0	Handtag-främre	Front Handle	
24	1	123655005/0	Gummihylsa	Grommet	
25	1	183869072/0	Drivaxelrör kpl	Assy Transm. Tube+Flex	
26	1	123020035/0	Drivaxel kpl	Trasmission Shaft	
27	1	183260002/0	Axelanslutning	Connecting Head Assy	
28	1	123593510/0	Knopp	Knob	
29A	1	123020035/0	Drivaxel kpl	Trasmission Shaft	
29	1	183869074/0	Drivaxelrör kpl	Assy Transm. Tube+Flex	
30	1	123784012/0	Fäste	Support	
31	1	123465007/0	Skyddskåpa	Safety Cover	
32	1	183600055/0	Skydd	Guard	
33	1	123311013/0	Kniv	Line Cutter	
35	1	183820507/0	Snäckväxel kpl	Gear Case Assy	
36	1	123670002/0	Skydd	Guard	
37	1	123250002/0	Ringmutter-övre	Upper Ring Nut	
38	1	123250003/0	Ringmutter-nedre	Lower Ring Nut	
39	1	123120015/0	Mutter	Nut	
41	1	123155009/0	Skärhuvud kpl	2 Hedges Nylon Head	
42	1	123155010/0	Röjklina	3 Teeth Disc	
43	1	123046005/0	Sele	Harness	