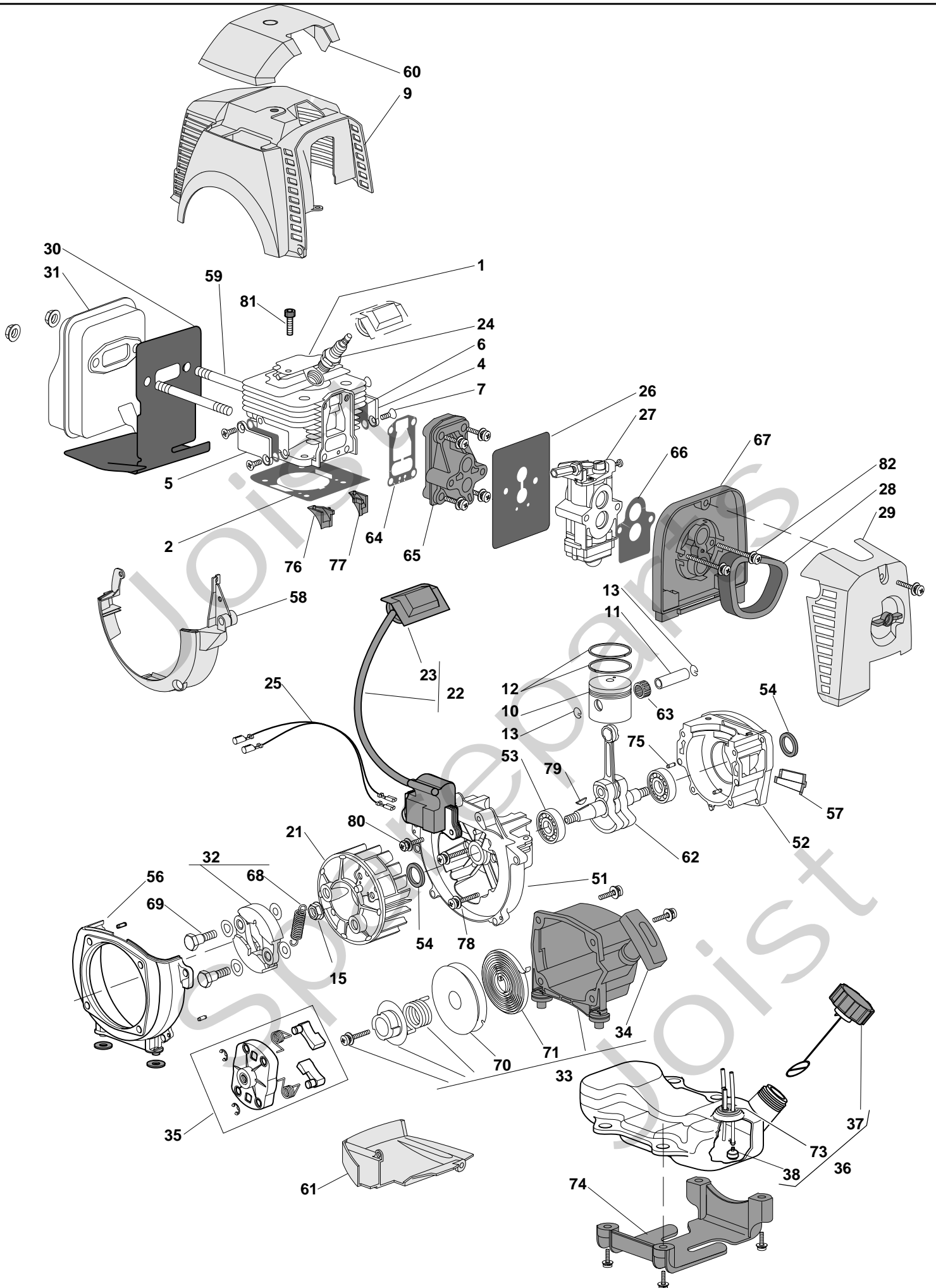


Genuine Spare Parts

SB 43 DS

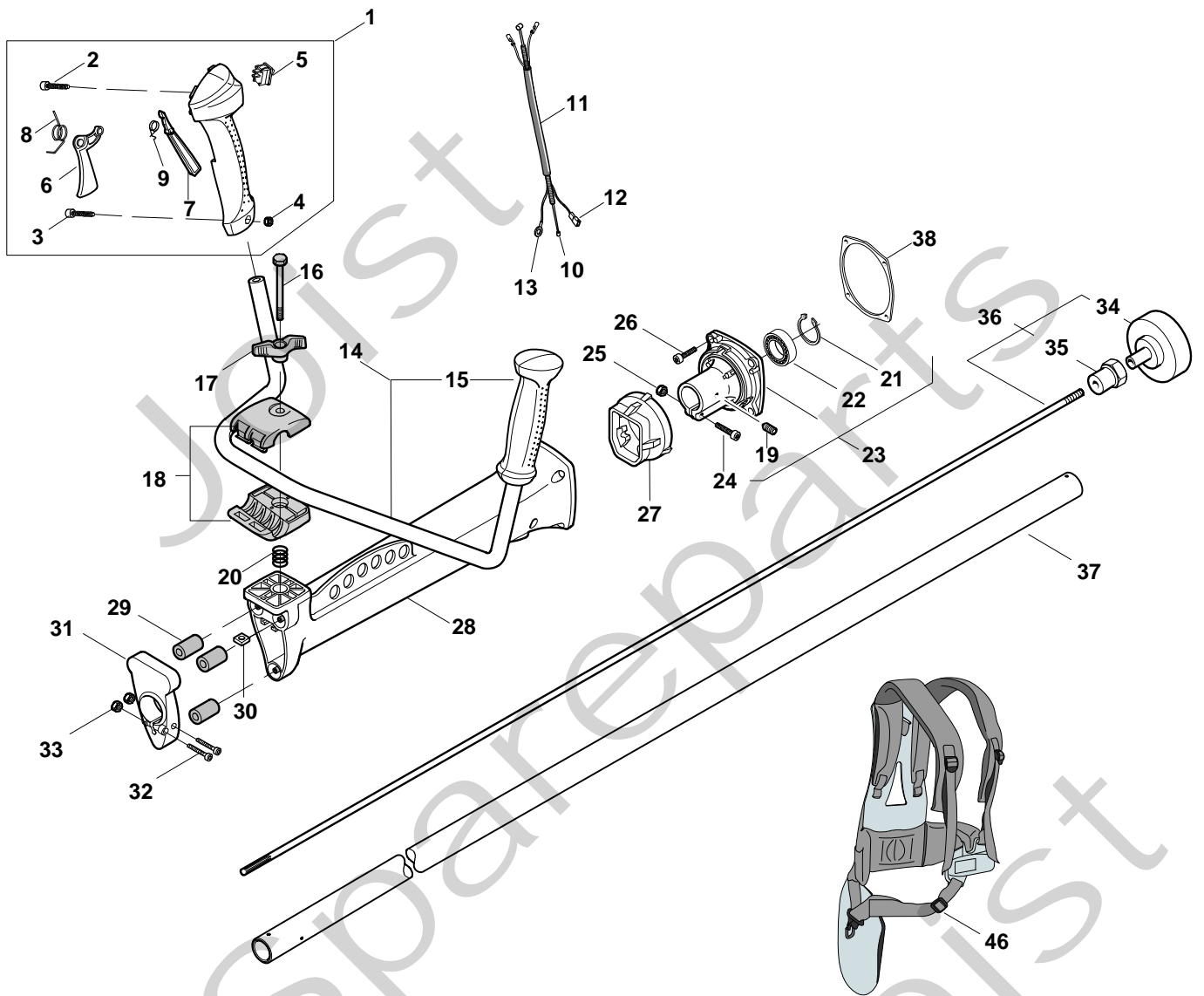






SB 43 DS - Model Year 2009

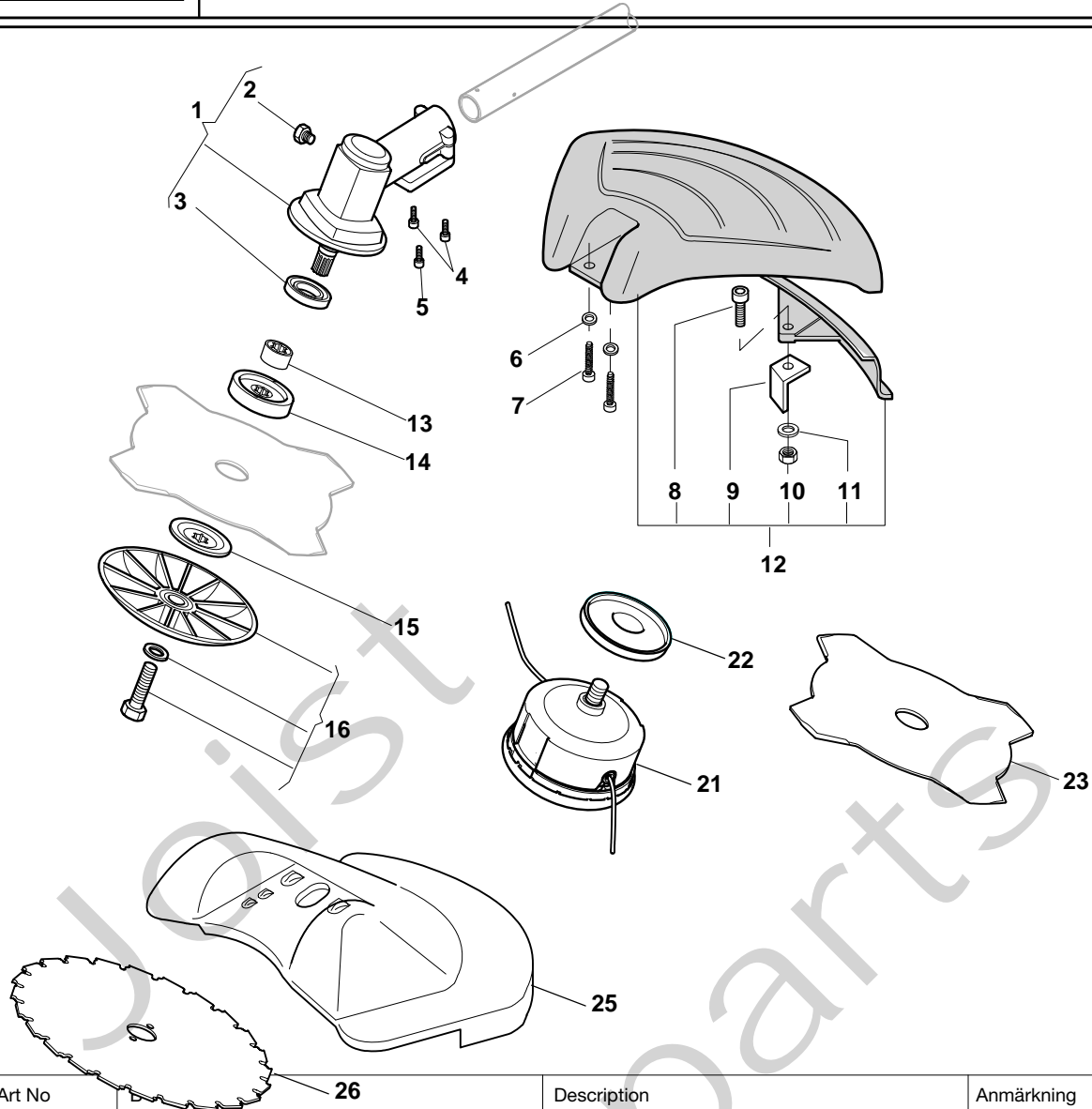
| Pos. Fig. | Antal Quantity | Art No Part No | Benämning | Description | Anmärkning Notes |
|-----------|----------------|----------------|-----------------|--------------------------|------------------|
| 1 | 1 | 123071012/0 | Cylinder | Cylinder | |
| 2 | 1 | 123280051/0 | Cylinderklåpa | Cylinder Gasket | |
| 4 | 1 | 123109547/0 | Kåpa | Cover | |
| 5 | 1 | 123109548/0 | Kåpa | Cover | |
| 6 | 2 | 123280035/0 | Packning | Gasket | |
| 7 | 4 | 123878054/0 | Skruv | Screw | |
| 9 | 1 | 323106021/0 | Motorlucka | Yellow Cylinder Cover | |
| 10 | 1 | 123590006/0 | Kolv | Piston | |
| 11 | 1 | 123760003/0 | Kolvbult | Piston Pin | |
| 12 | 2 | 123204008/0 | Kolvring | Piston Ring | |
| 13 | 2 | 123202004/0 | Låsring | Washer, Piston Pin | |
| 15 | 1 | 123120005/0 | Mutter | Nut | |
| 21 | 1 | 123880007/0 | Svånghjul | Flywheel | |
| 22 | 1 | 123044013/0 | Elektronikspole | Electronic Coil | |
| 23 | 1 | 323053003/0 | Tändstiftshatt | Spark Plug Cover | |
| 24 | 1 | 3210024 | Tändstift | Spark Plug | |
| 25 | 1 | 183065029/0 | Jordkabel | Earth Cable | |
| 26 | 1 | 123280054/0 | Packning | Intake-Carb Gasket | |
| 27 | 1 | 123054031/0 | Förgasare | Carburettor | |
| 28 | 1 | 123220009/0 | Luftfilter | Air Filter | |
| 29 | 1 | 183090011/0 | Luftfilterklåpa | Filter Cover, Yellow | |
| 30 | 1 | 123280049/0 | Packning | Gasket | |
| 31 | 1 | 183740015/0 | Ljuddämpare | Muffler | |
| 32 | 1 | 183215006/0 | Koppling | Clutch Ass.Y | |
| 33 | 1 | 183058036/0 | Start kpl | Starter Ass.Y | |
| 34 | 1 | 123300007/0 | Starthandtag | Starter Handle | |
| 35 | 1 | 123082004/0 | Startkopp | Starter Cup Ass.Y | |
| 36 | 1 | 183733007/0 | Bränsletank | Fuel Tank Ass.Y | |
| 37 | 1 | 183790008/0 | Tanklock | Fuel Cap Ass.Y | |
| 38 | 1 | 183520004/0 | Bränslefilter | Intake Filter | |
| 51 | 1 | 123685009/0 | Vevhus | Crank Case | |
| 52 | 1 | 123685008/0 | Vevhus | Crank Case | |
| 53 | 2 | 114215217/0 | Kullager | Bearing | |
| 54 | 1 | 119035160/0 | Tätning | Seal Ring | |
| 55 | 1 | 119035161/0 | Tätning | Seal Ring | |
| 56 | 1 | 123208411/0 | Transm.stödhus | Transm.Support Case | |
| 57 | 1 | 123109561/0 | Kåpa | Cover | |
| 58 | 1 | 323109545/0 | Kåpa | Case, Yellow | |
| 59 | 2 | 123878062/0 | Stud Skruv | Double-Screw Bolt | |
| 60 | 1 | 323109546/0 | Tändstiftshatt | Yellow Cover, Spark Plug | |
| 61 | 1 | 323600058/0 | Skydd | Lower Guard, Yellow | |
| 62 | 1 | 123020028/0 | Vevaxel | Crankshaft | |
| 63 | 1 | 123235005/0 | Nållager | Needle Bearing | |
| 64 | 1 | 123280053/0 | Packning | Intake Manif-Gasket | |
| 65 | 1 | 123073511/0 | Insugningsrör | Intake Manifold | |
| 66 | 1 | 123280055/0 | Packning | Gasket | |
| 67 | 1 | 123040001/0 | Luftfilterhus | Air Cleaner Base | |
| 68 | 1 | 123430587/0 | Fjäder | Spring | |
| 69 | 2 | 123878060/0 | Skruv | Screw | |
| 70 | 1 | 123604009/0 | Linhjul | Starter Pulley | |
| 71 | 1 | 123430590/0 | Startfjäder | Spring | |
| 73 | 1 | 123275022/0 | Gummitätning | Grommet Ass.Y | |
| 74 | 1 | 123784007/0 | Skydd | Guard | |
| 75 | 2 | 123753002/0 | Sprint | Pin | |
| 76 | 1 | 123294004/0 | Guide | Guide | |
| 77 | 1 | 123294005/0 | Guide | Guide | |
| 78 | 4 | 123878068/0 | Skruv | Screw | |
| 79 | 1 | 123072003/0 | Vevaxel | Flywheel Key | |
| 80 | 2 | 123878064/0 | Skruv | Screw | |
| 81 | 4 | 123878063/0 | Skruv | Screw | |
| 82 | 2 | 123878065/0 | Skruv | Screw | |





SB 43 DS - Model Year 2009

| Pos. Fig. | Antal Quantity | Art No Part No | Benämning | Description | Anmärkning Notes |
|-----------|----------------|----------------|-----------------------|------------------------------|------------------|
| 1 | 1 | 383300021/0 | Handtag kpl | Handle Ass.Y | |
| 2 | 1 | 2123030 | Skruv | Screw | |
| 3 | 1 | 2135050 | Skruv | Screw | |
| 4 | 1 | 12154330/0 | Mutter | Nut | |
| 5 | 1 | 3210970 | Brytare | Stop Switch | |
| 6 | 1 | 323315083/0 | Gasreglage | Throttle Lever | |
| 7 | 1 | 323315084/0 | Säkerhetsspärr | Safety Lever | |
| 8 | 1 | 3654270/1 | Fjäder | Spring | |
| 9 | 1 | 3654280/1 | Fjäder | Spring | |
| 10 | 1 | 123066021/0 | Gaswire | Wire Ass.Y | |
| 11 | 1 | 3786220 | Kabelhölje | Wire Sheath | |
| 12 | 1 | 123065031/0 | Kabel | Coil-Switch Cable (Red) | |
| 13 | 1 | 123065032/0 | Jordkabel | Earth Cable (Black) | |
| 14 | 1 | 383394009/0 | Styre | Handle | |
| 15 | 1 | 323395053/0 | Handtagsgrepp | Left Knob | |
| 16 | 1 | 2112580 | Skruv | Screw | |
| 17 | 1 | 3750480 | Vingmutter | Wing Nut | |
| 18 | 1 | 8521070 | Styrinfästning kpl | Handgrip Support Ass.Y | |
| 19 | 1 | 2126050 | Skruv | Screw | |
| 20 | 1 | 3654530 | Fjäder | Spring | |
| 21 | 1 | 3353080 | Låsring | Seeger Ring | |
| 22 | 1 | 3112170 | Kullager | Bearing | |
| 23 | 1 | 8521000/1 | Transmissionsnav | Transmission Hub Ass.Y D.28 | |
| 24 | 1 | 2135150 | Skruv | Screw | |
| 25 | 1 | 2432030 | Mutter | Nut | |
| 26 | 4 | 2135160 | Skruv | Screw | |
| 27 | 1 | 3L3744330/1 | Dämpelement | Rear Shock Absorber | |
| 28 | 1 | 4563850/2 | Transmissionshus | Transmission Housing | |
| 29 | 3 | 3744320 | Vibrationsdämpare-fra | Front Shock Absorber | |
| 30 | 1 | 3615190 | Fästplatta | Handle Fixing Plate | |
| 31 | 1 | 4563861 | Stöd-främre | Front Housing Support D.28 | |
| 32 | 2 | 2135060 | Skruv | Screw | |
| 33 | 2 | 12154330/0 | Mutter | Nut | |
| 34 | 1 | 4121861/1 | Kopplingshjul | Clutch | |
| 35 | 1 | 3642191 | Lagernav | Bearing Hub | |
| 36 | 1 | 4251400 | Drivaxel kpl | Transmission Shaft | |
| 37 | 1 | 4251724 | Drivaxelrör | Transmission Pipe Ass.Y D.28 | |
| 38 | 1 | 323208406/0 | Fläns | Flange | |
| 41 | 1 | 123046002/0 | Sele | Harness | |



| Pos. Fig. | Antal Quantity | Art No Part No | Description | Anmärkning Notes | |
|-----------|----------------|----------------|---------------------|---------------------------------|--|
| 1 | 1 | 4252790/1 | Snäckväxel kpl | Gear Case Assy R28 | |
| 2 | 1 | 2653460 | Skruv | Screw | |
| 3 | 1 | 3121170 | Tätningring | Oil Seal | |
| 4 | 2 | 2135050 | Skruv | Screw | |
| 5 | 1 | 2653090 | Skruv | Screw | |
| 6 | 2 | 2312150 | Bricka | Washer | |
| 7 | 2 | 2135060 | Skruv | Screw | |
| 8 | 1 | 2135030 | Skruv | Screw | |
| 9 | 1 | 3615000 | Kniv | Line Cutter | |
| 10 | 1 | 12154330/0 | Mutter | Nut | |
| 11 | 1 | 2312150 | Bricka | Washer | |
| 12 | 1 | 8563570 | Stängskydd kpl | Safety Cover Ass.Y (Incl.40-43) | |
| 13 | 1 | 3641700/1 | Krage | Collar | |
| 14 | 1 | 3641640 | Ringmutter-övre | Upper Ring Nut | |
| 15 | 1 | 3612640 | Ringmutter-nedre | Lower Ring Nut | |
| 16 | 1 | 4560610 | Stabilisator kpl | Stabilizer | |
| 21 | 1 | 4353000 | Skärhuvud kpl Profi | 2 Hedges Nylon Head Profi | |
| 22 | 1 | 3614950 | Platta | Plate | |
| 23 | 1 | 4611880 | Röjklinga | 4 Teeth Disc 25 Cm | |
| 25 | 1 | 4562847 | Hjulskydd | Guard | |
| 26 | 1 | 6031185 | Röjklinga | 24 Teeth Disc 25 Cm | |