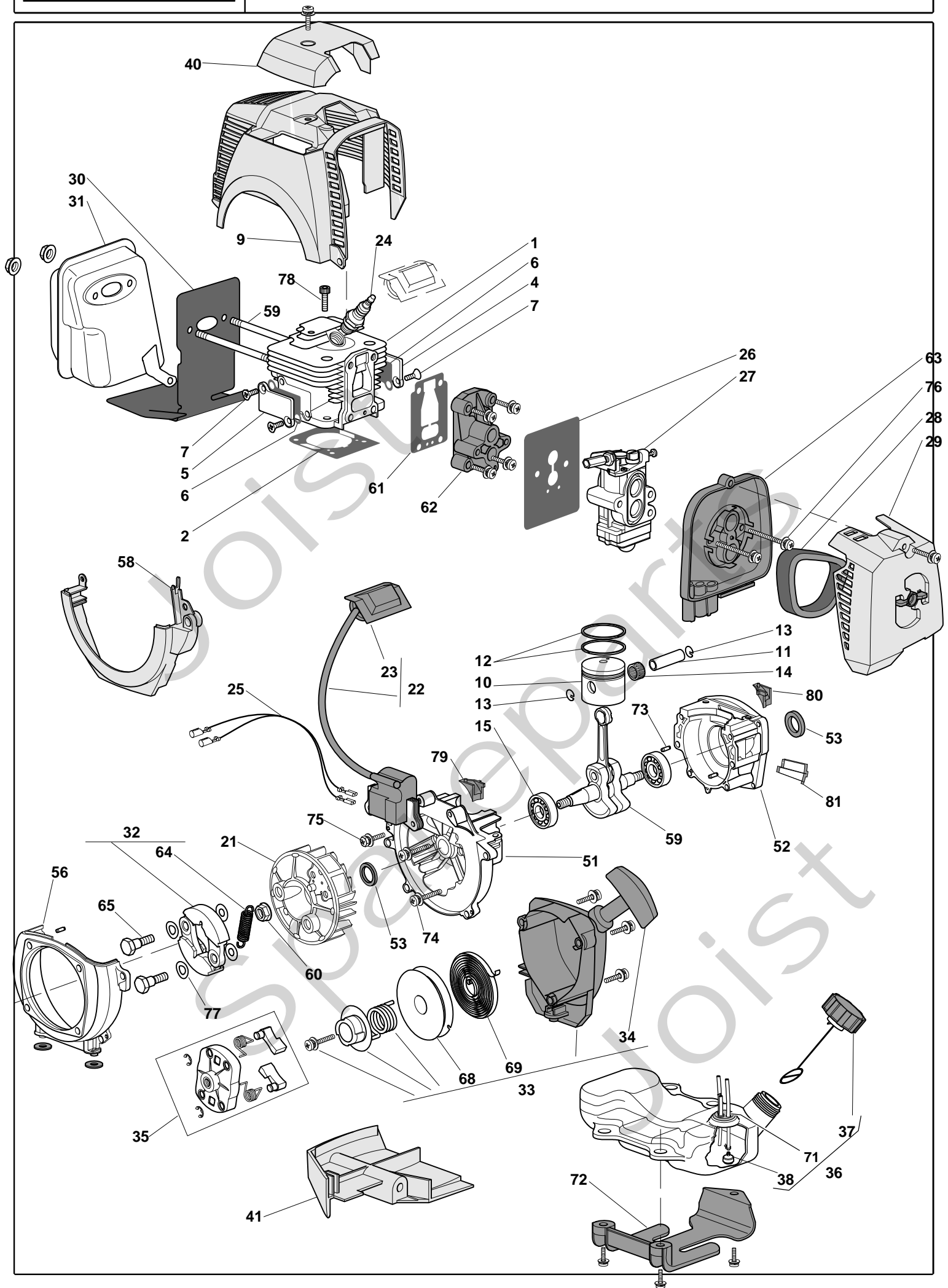


Genuine Spare Parts

SB 29 DS

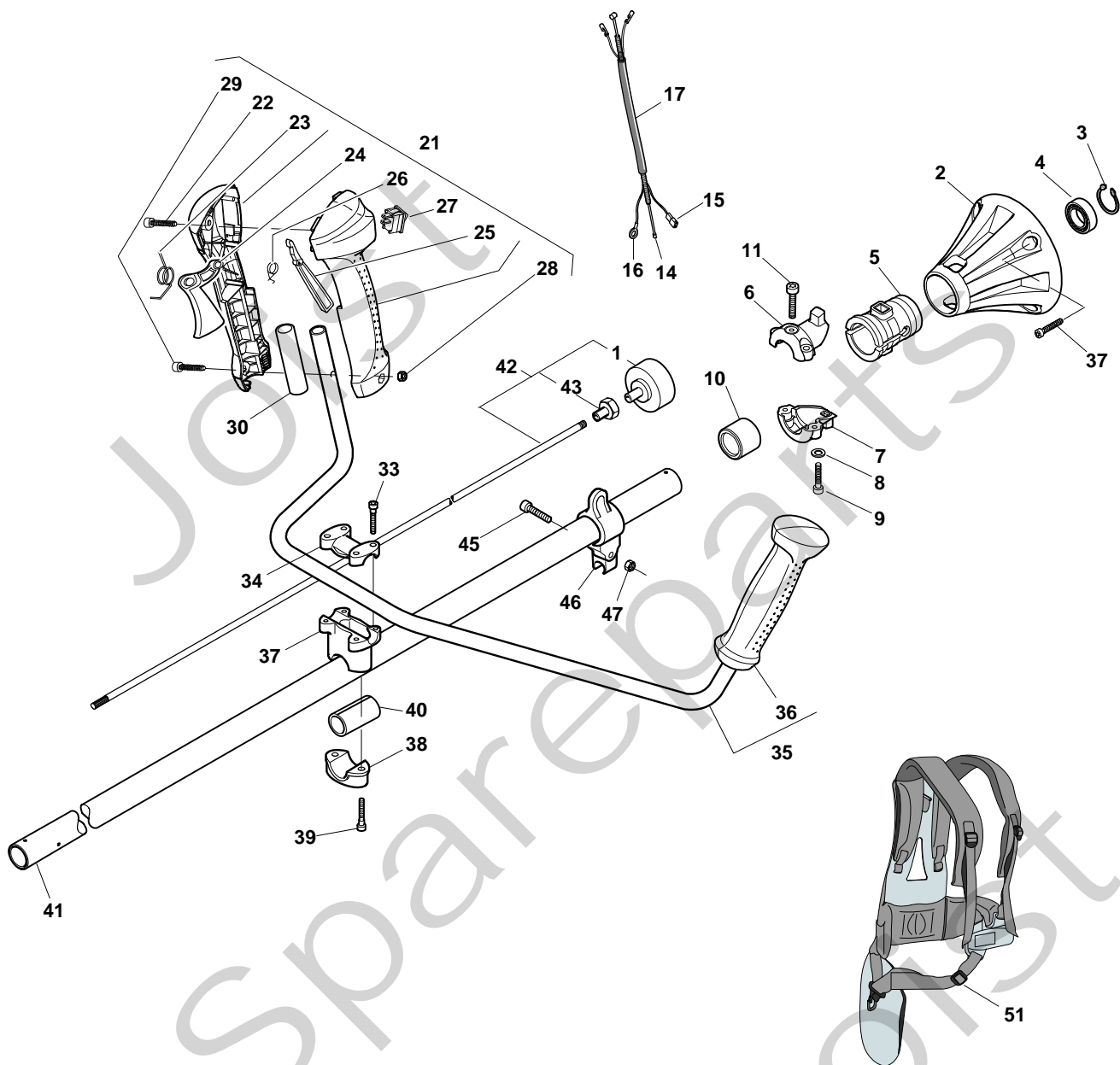






SB 29 DS - Model Year 2009

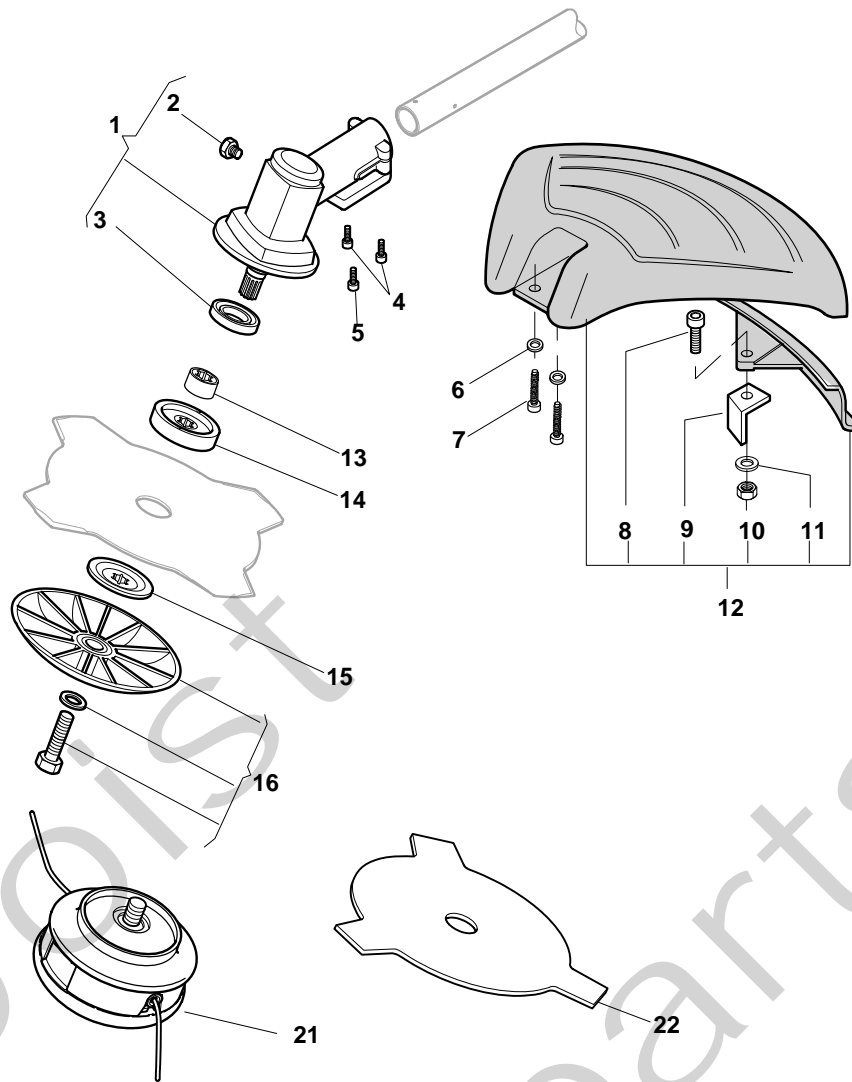
Pos. Fig.	Antal Quantity	Art No Part No	Benämning	Description	Anmärkning Notes
1	1	123071019/0	Cylinder	Cylinder	
2	1	123280056/0	Cylinderkåpa	Cylinder Gasket	
4	1	123109568/0	Kåpa	Cover	
5	1	123109569/0	Kåpa	Cover	
6	2	123280032/0	Packning	Gasket	
7	4	123878054/0	Skruv	Screw	
9	1	323106019/0	Motorlucka	Yellow Cylinder Cover	
10	1	123590004/0	Kolv	Piston	
11	1	123760001/0	Kolvbult	Piston Pin	
12	2	123204007/0	Kolvring	Piston Ring	
13	2	123202002/0	Låsring	Washer, Piston Pin	
14	1	123235003/0	Nållager	Needle Bearing	
15	2	114215215/0	Kullager	Bearing	
21	1	123880005/0	Svänghjul	Flywheel	
22	1	123044012/0	Elektronikspole	Electronic Coil	
23	1	323053003/0	Tändstiftshatt	Spark Plug Cover	
24	1	3210024	Tändstift	Spark Plug	
25	1	183065028/0	Jordkabel	Earth Cable	
26	1	123280033/0	Packning	Intake-Carb Gasket	
27	1	123054029/0	Förgasare	Carburettor	
28	1	123220009/0	Luftfilter	Air Filter	
29	1	183090007/0	Luftfilterkåpa	Filter Cover, Yellow	
30	1	123280028/0	Packning	Gasket	
31	1	183740013/0	Ljuddämpare	Muffler	
32	1	183215005/0	Koppling	Clutch Unit	
33	1	183058034/0	Start kpl	Starter Ass.Y	
34	1	123300007/0	Starthandtag	Starter Handle	
35	1	123082002/0	Startkopp	Starter Cup Ass.Y	
36	1	183733005/0	Bränsletank	Fuel Tank Ass.Y	
37	1	183790008/0	Tanklock	Fuel Cap Ass.Y	
38	1	183520004/0	Bränslefilter	Intake Filter	
39	2	123878061/0	Stud Skruv	Double-Screw Bolt	
40	1	323109543/0	Tändstiftshatt	Yellow Cover, Spark Plug	
41	1	323600056/0	Skydd	Lower Guard, Yellow	
51	1	123685005/0	Vevhus	Crank Case	
52	1	123685004/0	Vevhus	Crank Case	
53	2	119035160/0	Tätningring	Seal Ring	
56	1	123208410/0	Transm.stödhus	Transm.Support Case	
58	1	323109542/0	Kåpa	Case, Yellow	
59	1	123020026/0	Vevaxel	Crankshaft	
60	1	123120005/0	Mutter	Nut	
61	1	123280052/0	Packning	Intake Manif-Gasket	
62	1	123073510/0	Insugningsrör	Intake Manifold	
63	1	123040002/0	Luftfilterstöd	Air Cleaner Base	
64	1	123430586/0	Fjäder	Spring	
65	2	123878059/0	Skruv	Screw	
68	1	123604008/0	Linhjul	Starter Pulley	
69	1	123430589/0	Startfjäder	Spring	
71	1	123275022/0	Gummitätning	Grommet Ass.Y	
72	1	123784005/0	Skydd	Guard	
73	2	123753002/0	Sprint	Pin	
74	3	123878066/0	Skruv	Screw	
75	2	123878064/0	Skruv	Screw	
76	2	123878065/0	Skruv	Screw	
77	2	123657010/0	Bricka	Washer	
78	4	123878063/0	Skruv	Screw	
79	1	123294001/0	Guide	Guide	
80	1	123294000/0	Guide	Guide	
81	1	123109559/0	Hjulskydd	Guard	





SB 29 DS - Model Year 2009

Pos. Fig.	Antal Quantity	Art No Part No	Benämning	Description	Anmärkning Notes
1	1	4121881/1	Kopplingshjul	Clutch Drum	
2	1	323782006/0	Transmissionsstöd	Support Trasm.Assy	
3	1	3353080	Låsring	Seeger Ring	
4	1	3112170	Kullager	Bearing	
5	1	323275018/0	Gummihylsa	Grommet	
6	1	323720002/0	Stöd	Support	
7	1	323720003/0	Stöd	Support	
8	2	2370050	Bricka	Washer	
9	2	2135030	Skruv	Screw	
10	1	323044218/0	Bussning	Bushing	
11	1	2135010	Skruv	Screw	
14	1	123066020/0	Gaswire	Wire Ass.Y	
15	1	123065024/0	Kabel	Coil-Switch Cable	
16	1	123065025/0	Jordkabel	Earth Cable	
17	1	3786240	Wirehölje	Wire Sheath	
21	1	383300021/0	Handtag kpl	Handle Ass.Y	
22	1	2123030	Skruv	Screw	
23	1	3654270/1	Fjäder	Spring	
24	1	323315083/0	Gasreglage	Throttle Lever	
25	1	323315084/0	Säkerhetsspärr	Safety Lever	
26	1	3654280/1	Fjäder	Spring	
27	1	3210970	Brytare	Stop Switch	
28	1	12154330/0	Mutter	Nut	
29	1	2135050	Skruv	Screw	
30	1	23655001/0	Reduktion	Reduction	
33	4	2135060	Skruv	Screw	
34	1	4541500/1	Styrfäste-övre	Upper Handgrip Support	
35	1	383394008/0	Styre kpl	Handle Ass.Y	
36	1	323395052/0	Handtag-vä	Left Handle	
37	4	2132110	Skruv	Screw	
37	1	4541490/1	Styrfäste-mitten	Handle Support	
38	1	4541510	Styrfäste-undre	Lower Handgrip Support	
39	2	2135050	Skruv	Screw	
40	2	3721410	Rubber Facing	Rubber Facing	
41	1	383869067/0	Drivaxelrör	Transmission Pipe Ass.Y	
42	1	4251410	Drivaxel	Transm.Shaft Ass.Y (Incl.8-9)	
43	1	3642221	Lagernav	Bearing Hub	
45	1	2135040	Skruv	Screw	
46	1	23780000/0	Fäste-sele	Harness Support	
47	1	2412030	Mutter	Nut	
51	1	123046000/0	Sele	Harness	



Pos. Fig.	Antal Quantity	Art No Part No	Benämning	Description	Anmärkning Notes
1	1	4252770/2	Snäckväxel kpl	Gear Case Assy (Incl. 2÷21) [R24]	
2	1	2653460	Skruv	Screw	
3	1	3121180	Tätningring	Oil Seal	
4	2	2135050	Skruv	Screw	
5	1	2653090	Skruv	Screw	
6	2	2312150	Bricka	Washer	
7	2	2135060	Skruv	Screw	
8	1	2135030	Skruv	Screw	
9	1	3615000	Kniv	Line Cutter	
10	1	12154330/0	Mutter	Nut	
11	1	2312150	Bricka	Washer	
12	1	8563570	Stängskydd kpl	Safety Cover Ass.Y (Incl.40-43)	
13	1	3660680	Hylsa	Collar	
14	1	3641650	Ringmutter-övre	Upper Ring Nut	
15	1	3612650	Ringmutter-nedre	Lower Ring Nut	
16	1	4560610	Stabilisator kpl	Stabilizer	
21	1	4353240/1	Skärhuvud kpl	2 Hedges Nylon Head	
22	1	6031172	Röjklinga	3 Teeth Disc 25 Cm	