

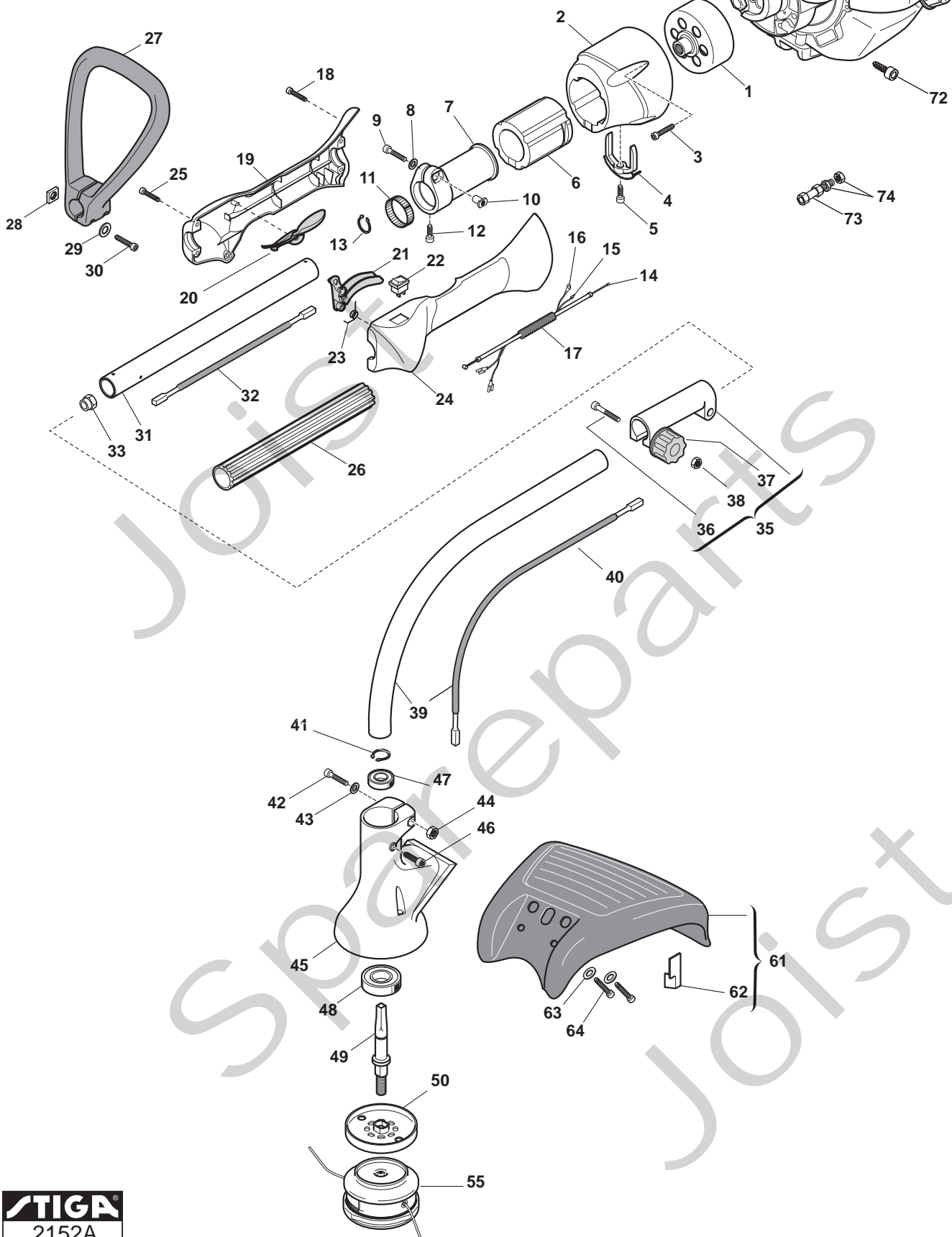
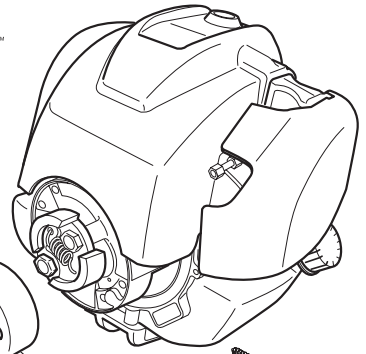
# Genuine Spare Parts

---



Joist  
Spareparts  
Joist

POWERED by  
**HONDA**



Utgåva Issue		Bildnr Picture No		ST 425HJ TRIMMER		ST 425HJ TRIMMER		Sida Page	
2008- 12		2152A						326	
Pos. Fig.	Antal/Quantity				Art nr Part No	Benämning	Description	Sats Kit	Anmärkning Notes
	1042 -12								
1	1			83050004/0	Kopplingshjul.....	Clutch drum .....			
2	1			23782005/0	Transmissionsstöd .....	Transmission support .....			
3	4			2135160	Skruv .....	Screw .....			
4	1			23232001/0	Gaffel .....	Fork .....			
5	1			2123100	Skruv .....	Screw .....			
6	1			23275000/0	Hylsa .....	Grommet .....			
7	1			23782003/0	Stöd .....	Support .....			
8	1			2312020	Bricka .....	Washer .....			
9	1			2135040	Skruv .....	Screw .....			
10	1			3643470	Bussning .....	Bushing .....			
11	1			3180560	Reduktion .....	Reduction .....			
12	1			2653090	Skruv .....	Screw .....			
13	1			12608600/0	Låsring .....	Seegerring .....			
14	1			23066000/0	Gaswire .....	Throttle cable .....			
15	1			23065000/0	Kabel .....	Cable .....			
16	1			23065004/0	Jordkabel .....	Earth cable .....			
17	1			23290000/0	Kabelhölje .....	Wire sheath .....			
18	1			2123100	Skruv .....	Screw .....			
19	1			23700002/0	Handtag- hö .....	Handle- RH .....			
20	1			23315055/0	Säkerhetsspärr .....	Safety lever .....			
21	1			23315054/0	Gasreglage .....	Throttle lever .....			
22	1			3210970	Brytare .....	Switch .....			
23	1			23430551/1	Fjäder .....	Spring .....			
24	1			23700003/0	Handtag- vä .....	Handle- LH .....			
25	4			2123030	Skruv .....	Screw .....			
26	1			23170000/0	Värmeisolering .....	Heat insulator .....			
27	1			23300000/0	Handtag- främre .....	Handle- front .....			
28	2			2461030	Mutter .....	Nut .....			
29	2			2312090	Bricka .....	Washer .....			
30	2			2135050	Skruv .....	Screw .....			
31	1			83869053/0	Drivaxelrör .....	Transmission pipe .....			
32	1			23020007/0	Drivaxel .....	Drive shaft .....			
33	1			23650001/0	Axelhylsa .....	Shaft sleeve .....			
35	1			83260000/0	Rörkoppling kpl .....	Joint assy .....		Inkl. pos 36 - 38	
36	1			12689500/0	• Skruv .....	• Screw .....			
37	1			23593500/0	• Låsrott .....	• Locking knob .....			
38	1			2412020	• Mutter .....	• Nut .....			
39	1			83869058/0	Drivaxelrör kpl .....	Transmission pipe .....		Inkl. pos 40	
40	1			23020014/0	• Drivaxel .....	• Drive shaft .....			
41	1			12608600/0	Låsring .....	Seegerring .....			
42	1			2135150	Skruv .....	Screw .....			
43	1			2312010	Bricka .....	Washer .....			
44	1			2412020	Mutter .....	Nut .....			
45	1			23056302/0	Transmissionshus .....	Gear case .....			
46	1			2123100	Skruv .....	Screw .....			
47	1			19216037/0	Kullager .....	Ball bearing .....			
48	1			3112280	Kullager .....	Ball bearing .....			
49	1			23020005/0	Åxel .....	Head shaft .....			
50	1			3614630	Övre ringmutter .....	Upper ring nut .....			
55	1			23155001/1	Skärhuvud kpl .....	Cutting head assy .....		M10x1,25 DX female	
61	1			83465001/0	Skyddskåpa kpl .....	Safety cover .....		Inkl. pos 62	
62	1			3614640	• Kniv .....	• Line cutter .....			
63	2			2312150	Bricka .....	Washer .....			
64	2			2123030	Skruv .....	Screw .....			
72	1			2135020	Skruv .....	Screw .....			
73	1			3630600/1	Kabeljustering .....	Wire adjuster .....			
74	2			2412090	Mutter .....	Nut .....			
98	1			9959905	Skyddsglasögon .....	Protective goggles .....		Tillbehör/accessory	
99	1			1911- 9008- 04	Skärtråd (2.4 mm) .....	Cutting line (2.4 mm) .....		0.45 kg (90 m)	
99	1			1911- 9008- 08	Skärtråd (2.4 mm) .....	Cutting line (2.4 mm) .....		15 m	

X