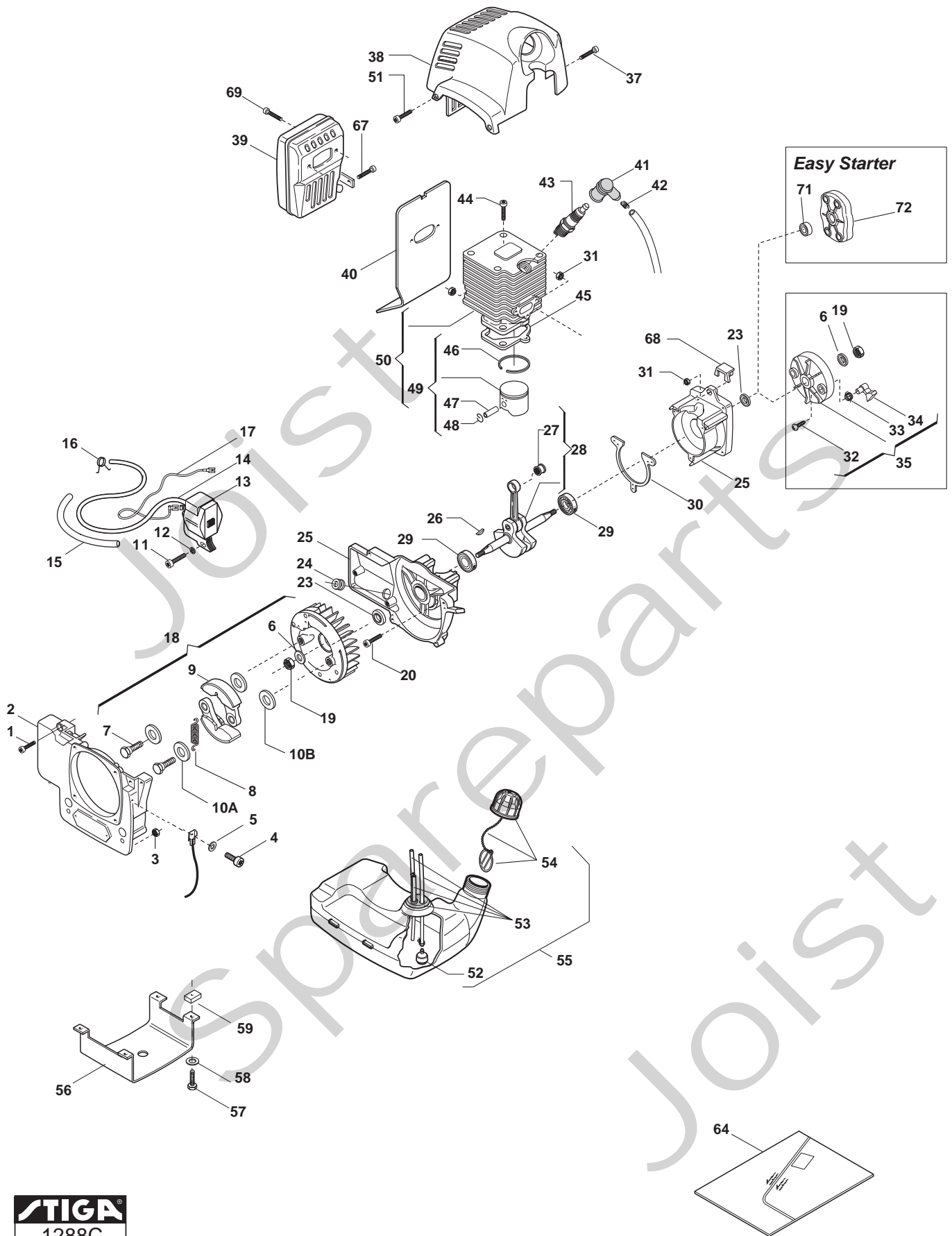


# Genuine Spare Parts

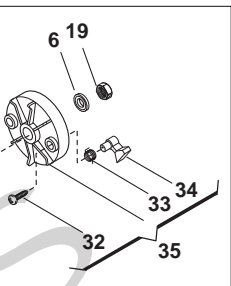
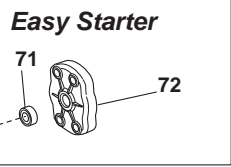
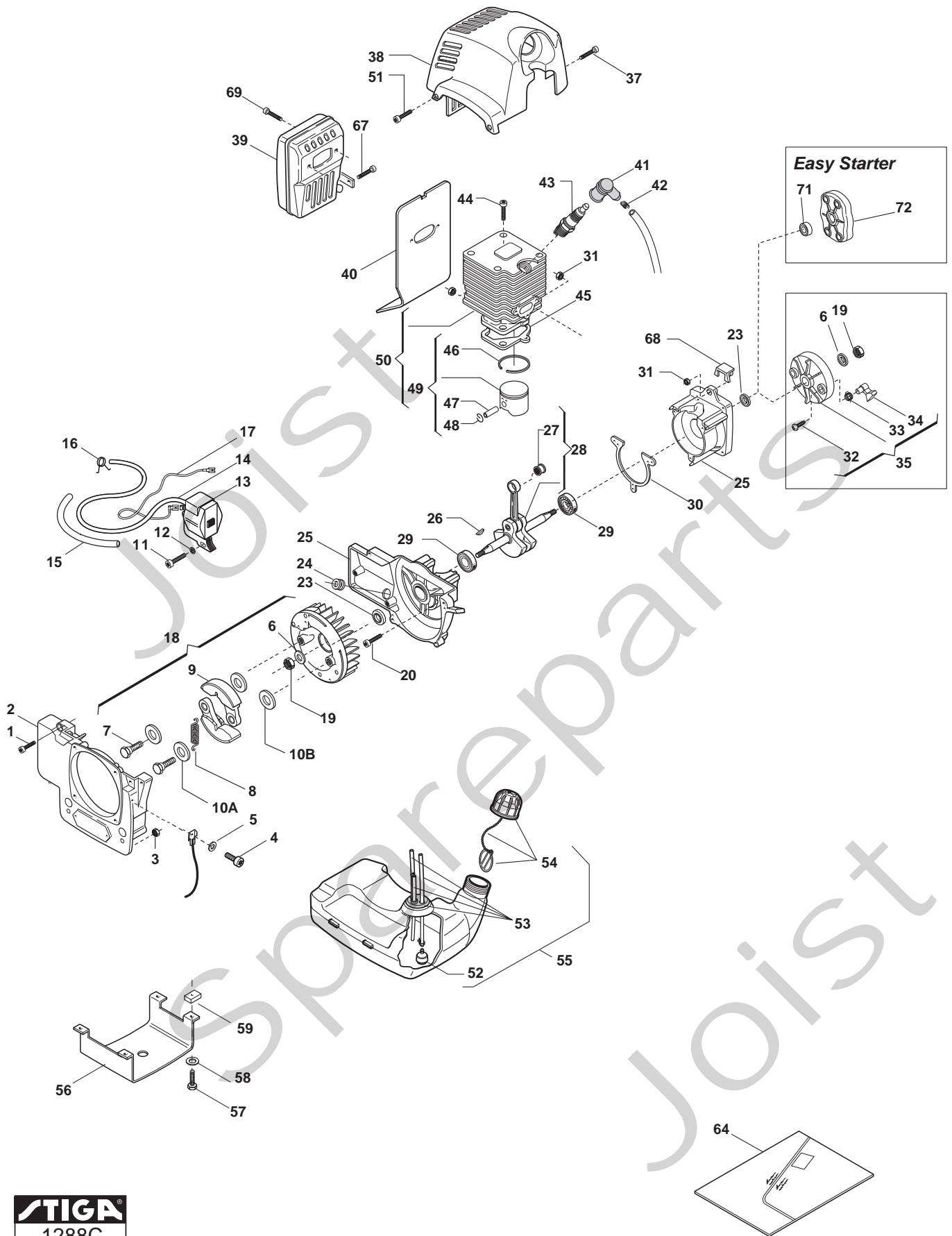
---



Joist  
Spareparts  
Joist

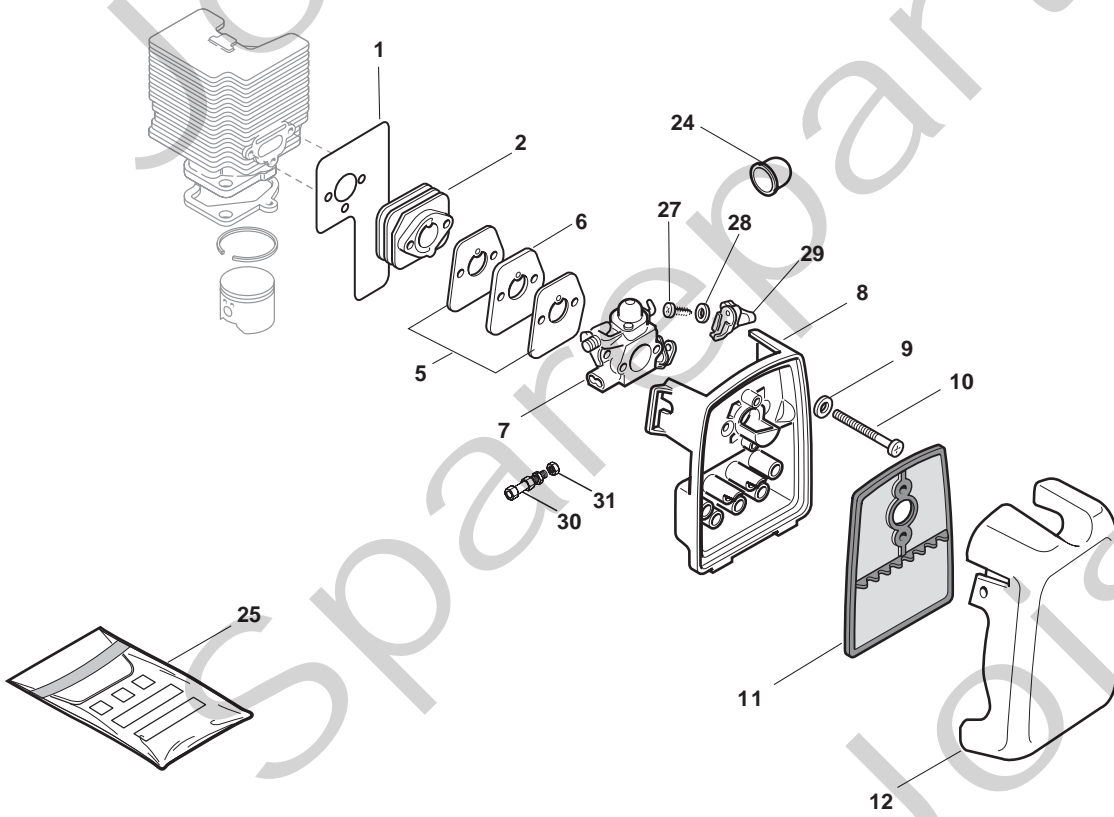
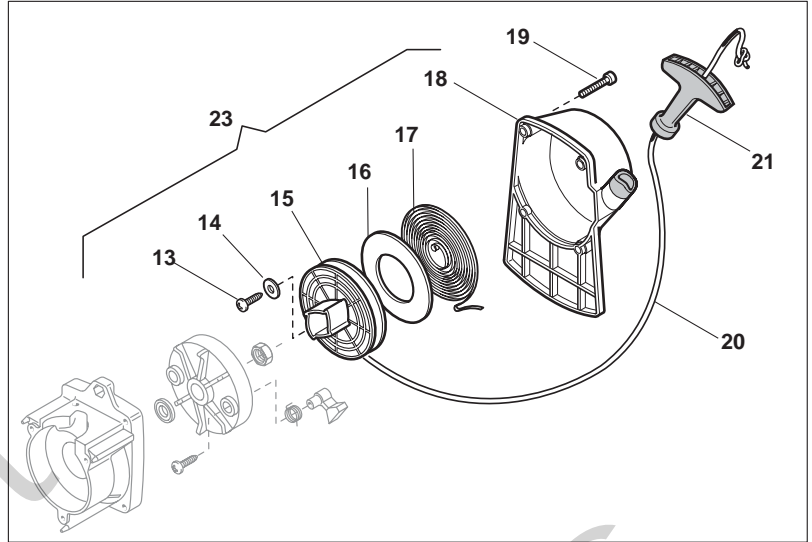
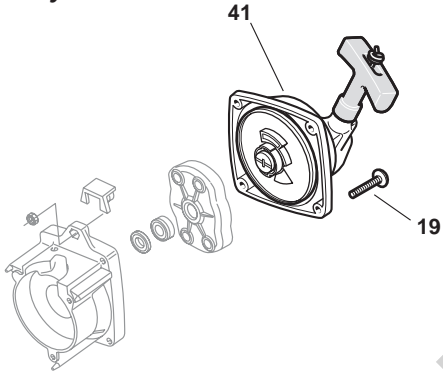


Utgåva Issue		Bildnr Picture No		SB 43P- SB 44P- SB 52P Pro RÖJARE MOTOR		SB 43P- SB 44P- SB 52P Pro BRUSH CUTTER ENGINE		Sida Page	
2007- 12		1288C						314	
Pos. Fig.	Antal/Quantity			Art nr Part No	Benämning	Description	Sats Kit	Anmärkning Notes	
	6113 -12	6115 -12	4630 -14						
1	4	4		23878016/0	Skruv .....	Screw .....			
2	1	1		4540940	Transm.stödhus .....	Transm.support case .....			
3	4	4		2461030	Mutter .....	Nut .....			
4	1	1		2132500	Skruv .....	Screw .....			
5	1	1		2312120	Bricka .....	Washer .....			
6	2	2		2350040	Bricka .....	Washer .....			
7	2	2		2653213	• Skruv .....	• Screw .....			
8	1	1		3654040	• Fjäder .....	• Spring .....			
8		1		3654220	• Fjäder .....	• Spring .....			
9	2			3660430/1	• Koppling .....	• Clutch unit .....			
9		2		3660500/1	• Koppling .....	• Clutch unit .....			
10A	2	2		23652501/0	• Bricka .....	• Washer .....			
10B	2	2		2321230	• Bricka .....	• Washer .....			
11	2	2		2135060	Skruv .....	Screw .....			
12	2	2		2321150	Bricka .....	Washer .....			
13	1	1		23044001/0	Elektronikspole .....	Electronic coil .....			
14	1	1		3211080	Tändstiftskabel .....	Spark plug cable .....			
15	1	1		3782040	Kabelhölje .....	Wire sheath .....			
16	1	1		3657450	Klämma .....	Clamp .....			
17	1	1		3211415	Jordkabel .....	Earth cable .....			
18	1			8252500/1	Svänghjul kpl .....	Flywheel assy .....		Inkl. pos 7 - 10	
18		1		8252510/1	Svänghjul kpl .....	Flywheel assy .....		Inkl. pos 7 - 10	
19	2	2		2412100	Mutter .....	Nut .....			
20	4	4		2135130	Skruv .....	Screw .....			
23	2	2		3121120	Tätningring .....	Seal ring .....			
24	1	1		3745130	Hylsa .....	Grommet .....			
25	1	1		8540930	Vevhus .....	Crankcase .....			
26	1	1		3151050	Kil .....	Key .....			
27	1	1		3114190	• Nällager .....	• Needle bearing .....			
28	1	1		8251440	Vevaxel kpl .....	Crankshaft assy .....		Inkl. pos 27	
29	2	2		3112040	Kullager .....	Ball bearing .....			
30	1	1		3724120	Packning .....	Gasket .....			
31	5	5		2432040	Mutter .....	Nut .....			
32	2	2		2123100	• Skruv .....	• Screw .....			
33	2	2		3654050	• Fjäder .....	• Spring .....			
34	2	2		3749570	• Startspärr .....	• Starter hook .....			
35	1	1		8540950	Startkopp kpl .....	Starter cup assy .....		Inkl. pos 32 - 34	
37	3	3		2135030	Skruv .....	Screw .....			
38	1	1		4563880	Cylinderkåpa- gul .....	Cylinder cover- yellow .....			
39	1	1		4122170/1	Ljuddämpare .....	Muffler .....			
40	1	1		3724380	Packning .....	Gasket .....			
41	1	1		3744850	Tändstiftshatt .....	Spark plug cap .....			
42	1	1		3657530	Tändstiftsfjäder .....	Spark plug spring .....			
43	1	1		9400- 0258- 00	Tändstift .....	Spark plug .....		Champion CJ7Y	
44	4	4		2135060	Skruv .....	Screw .....			
45	1	1		3724130	Packning .....	Gasket .....			
46		1		3123110	•• Kolvring .....	•• Piston ring .....			
46	1			3123200	•• Kolvring .....	•• Piston ring .....			
47	1			3158010	•• Kolvbult .....	•• Piston pin .....			
47		1		3158080	•• Kolvbult .....	•• Piston pin .....			
48	2	2		3356020	•• Låsring .....	•• Circlip .....			
49	1			8540860	• Kolv kpl .....	• Piston assy .....		Inkl. pos 46 - 48	
49		1		8540960	• Kolv kpl .....	• Piston assy .....		Inkl. pos 46 - 48	
50	1			8540890	Cylinder- kolv kpl .....	Cylinder- piston assy .....		Inkl. pos 49	
50		1		8540970/2	Cylinder- kolv kpl .....	Cylinder- piston assy .....		Inkl. pos 49	
51	2	2		2135040	Skruv .....	Screw .....			
52	1	1		4253290	• Bränslefilter .....	• Intake filter .....			
53	1	1		8745542	• Gummitätning .....	• Grommet .....			
54	1	1		8741370	• Tanklock .....	• Fuel tank cap .....			
55	1	1		4252620/1	Bränsletank kpl .....	Fuel tank assy .....		Inkl. pos 52 - 54	
56	1	1		4612237	Fläns .....	Flange .....			
57	4	4		2135030	Skruv .....	Screw .....		TX M5 x 20	
57	4	4		2135040	Skruv .....	Screw .....		TX M5 x 18	

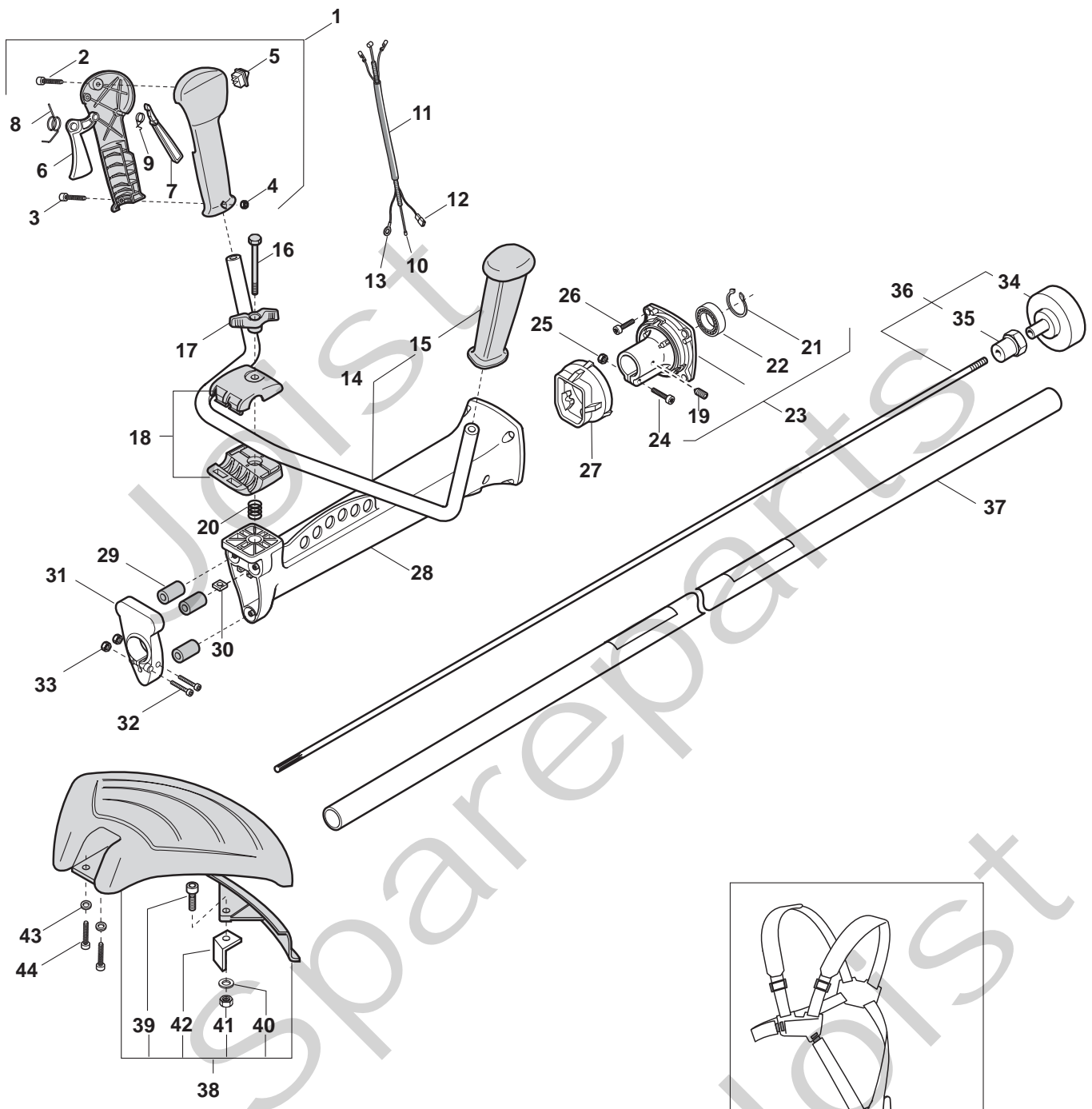




**Easy Starter**

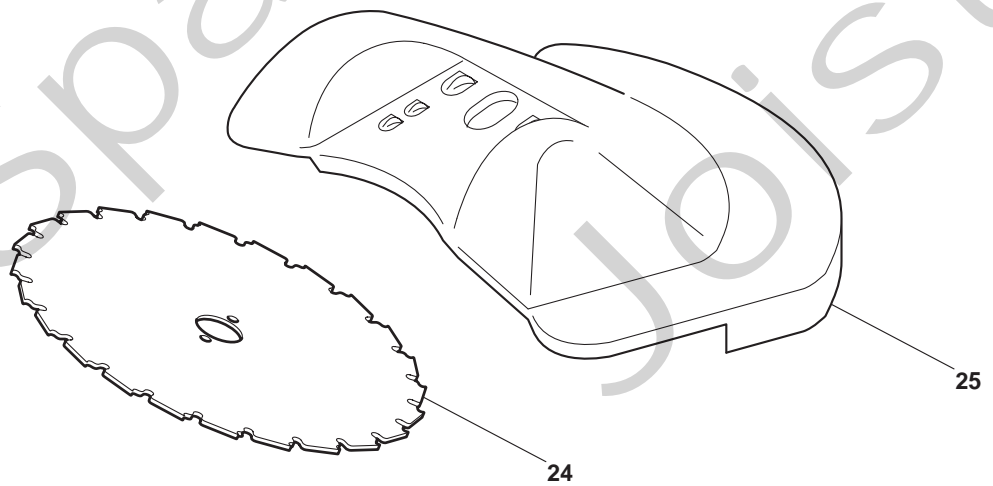
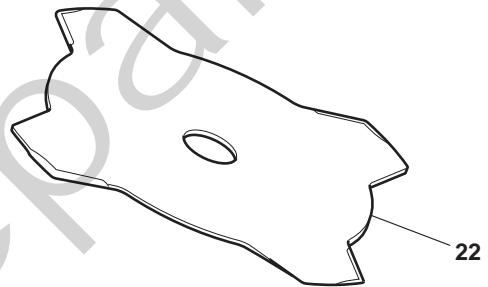
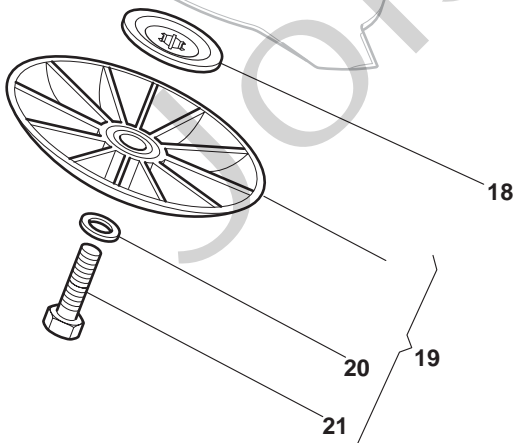
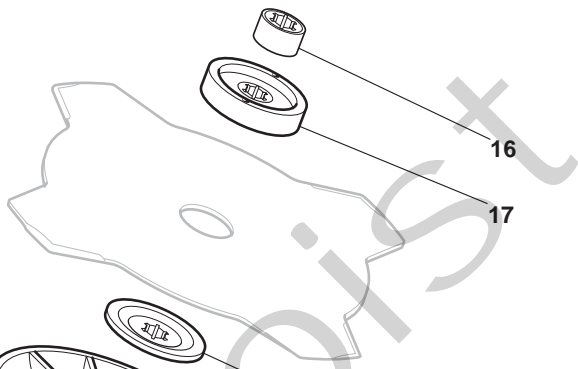
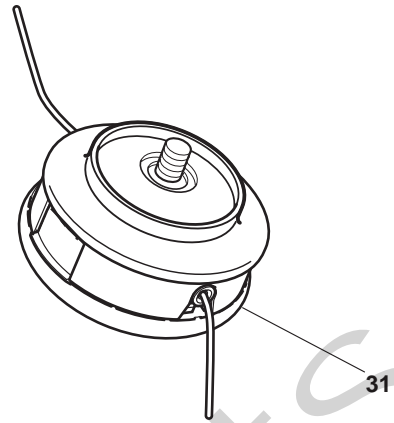
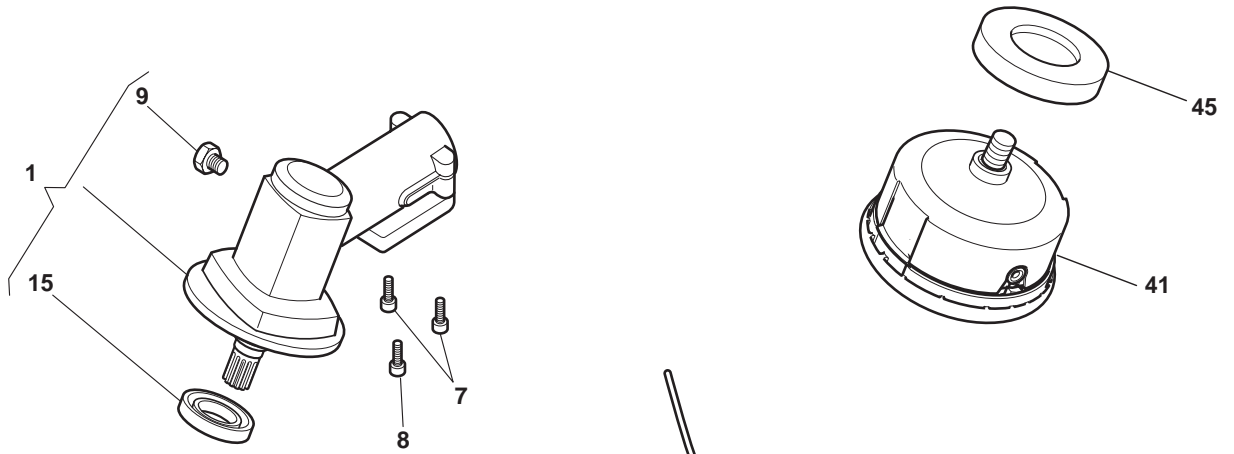








Utgåva Issue		Bildnr Picture No		SB 40- SB 44P- SP 52P Pro RÖJARE RIGG		SB 40- SB 44P- SP 52P Pro BRUSH CUTTER DRIVE SHAFT		Sida Page	
2007- 12		1284A						306	
Pos. Fig.	Antal/Quantity			Art nr Part No	Benämning	Description	Sats Kit	Anmärkning Notes	
	4629 -13	6115 -12 4630 -14							
1	1	1		8563830	Handtag kpl .....	Handle assy.....		Inkl. pos 2 - 9	
2	1	1		2123030	• Skruv .....	• Screw .....			
3	1	1		2135050	• Skruv .....	• Screw .....			
4	1	1		12154330/0	• Mutter .....	• Nut .....			
5	1	1		3210970	• Brytare .....	• Switch .....			
6	1	1		3743431/1	• Gasreglage.....	• Throttle lever .....			
7	1	1		3743441	• Säkerhetsspärr .....	• Safety lever .....			
8	1	1		3654270/1	• Fjäder.....	• Spring .....			
9	1	1		3654280/1	• Fjäder.....	• Spring .....			
10		1		23066008/0	Gaswire .....	Throttle cable .....			
10	1			4252570	Gaswire .....	Throttle cable .....			
11	1	1		3786220	Kabelhölje.....	Wire sheath.....			
12	1	1		3211590	Kabel- röd .....	Cable- red.....			
13	1	1		3211600/1	Jordkabel- svart.....	Earth cable- black.....			
14	1	1		4252840/1	Styre .....	Handle .....		Inkl. pos 15	
15	1	1		3744860/1	• Handtagsgrepp .....	• Knob .....			
16	1	1		2112580	Skruv .....	Screw .....			
17	1	1		3750480	Vingmutter.....	Wing nut .....			
18	1	1		8521070	Styrinfästning kpl .....	Handgrip support.....			
19	1	1		2126050	• Skruv .....	• Screw .....			
20	1	1		3654530	Fjäder.....	Spring .....			
21	1	1		3353080	• Låsring .....	• Circlip.....			
22	1	1		3112170	• Kullager .....	• Ball bearing .....			
23	1			8520990/2	Transmissionsnav.....	Transmission hub.....		Inkl. pos 19, 21 - 22	
23		1		8521000/1	Transmissionsnav.....	Transmission hub.....		Inkl. pos 19, 21 - 22	
24	1	1		2135150	Skruv .....	Screw .....			
25	1	1		2432030	Mutter.....	Nut .....			
26	4	4		2135160	Skruv .....	Screw .....			
27	1	1		3744330	Vibrationsdämpare- bak.....	Shock absorber- rear.....			
28	1	1		4563850/2	Transmissionshus .....	Transmission housing.....			
29	3	3		3744320	Vibrationsdämpare- fra .....	Shock absorber- front .....			
30	1	1		3615190	Fästplatta .....	Handle fixing plate .....			
31	1			4563860	Stöd- främre .....	Housing support- front.....			
31		1		4563861	Stöd- främre .....	Housing support- front.....			
32	2	2		2135060	Skruv .....	Screw .....			
33	2	2		12154330/0	Mutter.....	Nut .....			
34	1	1		4121861/1	• Kopplingshjul.....	• Clutch drum .....			
35	1	1		3642191	• Lagernav.....	• Bearing hub.....			
36	1	1		4251400	Drivaxel kpl.....	Transmission shaft.....		Inkl. pos 34 - 35	
37	1			4251204	Drivaxelrör.....	Transmission pipe .....		Ø 26 mm	
37		1		4251724	Drivaxelrör.....	Transmission pipe .....		Ø 28 mm	
38	1	1		8563570	Stänkskydd kpl .....	Safety cover assy .....		Inkl. pos 39 - 42	
39	1	1		2135030	• Skruv .....	• Screw .....			
40	1	1		2312150	• Bricka .....	• Washer .....			
41	1	1		2432040	• Mutter.....	• Nut .....			
42	1	1		3615000	• Kniv .....	• Line cutter .....			
43	2	2		2312150	Bricka .....	Washer.....			
44	2	2		2135060	Skruv .....	Screw .....			
45	1	1		4253440	Sele .....	Harness.....			



Utgåva Issue		Bildnr Picture No		SB 39- SB 40- SB 43P- SB 44P- SB 52P Pro RÖJARE SNÄCKVÄXEL		SB 39- SB 40- SB 43P- SB 44P- SB 52P Pro BRUSH CUTTER GEAR CASE		Sida Page	
2007- 12		1285E						308	
Pos. Fig.	Antal/Quantity				Art nr Part No	Benämning	Description	Sats Kit	Anmärkning Notes
	6118 -11 4629 -13	6113 -12	6115 -12 4630 -14						
1	1	1			4252780/1	Snäckväxel kpl.....	Gear case assy.....		Ø 26 mm
1			1		4252790/1	Snäckväxel kpl.....	Gear case assy.....		Ø 28 mm
7	2	2			2135050	Skruv.....	Screw.....		
8	1	1			2653090	Skruv.....	Screw.....		
9	1	1			2653460	• Skruv.....	• Screw.....		
15	1	1			3121170	• Tätningsring.....	• Oil seal.....		
16	1	1			3641700/1	Krage.....	Collar.....		
17	1	1			3641640	Ringmutter- övre.....	Ring nut- upper.....		
18	1	1			3612640	Ringmutter- nedre.....	Ring nut- lower.....		
19	1	1			4560610	Stabilisator kpl.....	Stabilizer assy.....		Inkl. pos 20 - 21
20	1	1			2321230	• Bricka.....	• Washer.....		
21	1	1			2653170	• Skruv.....	• Screw.....		
22	1	1			4611880	Röjklinga.....	Blade.....		4T - Ø 255 mm
24	1	1			6031180	Sågklinga.....	Saw blade.....		24T - Ø 225 mm
24	1	1			6031185	Sågklinga.....	Saw blade.....		24T - Ø 255 mm
25	1	1			8562840	Skyddskåpa.....	Safety cover.....		Sågklinga/saw blade
31	1	1			4353240/1	Skärhuvud kpl.....	Cutting head assy.....		M8 x 1,25 SX male
41					4353000	Skärhuvud kpl Profi.....	Cutting head assy.....		M8 x 1,25 SX male
45					3614950	Platta.....	Plate.....		
99	1	1			1911-9008-04	Skärtråd (2.4 mm).....	Cutting line (2.4 mm).....		0.45 kg (90 m)
99	1	1			1911-9008-08	Skärtråd (2.4 mm).....	Cutting line (2.4 mm).....		15 m