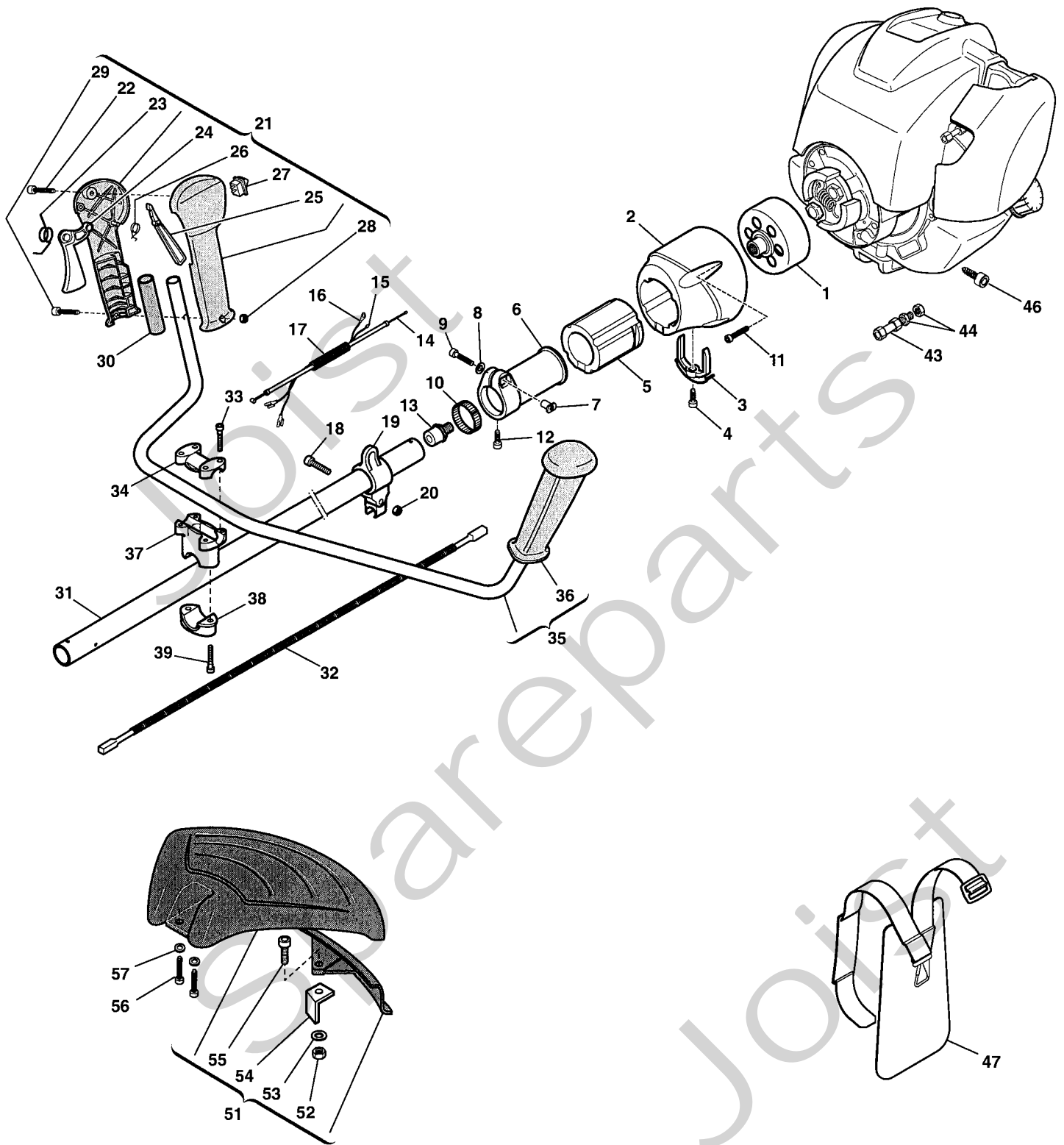


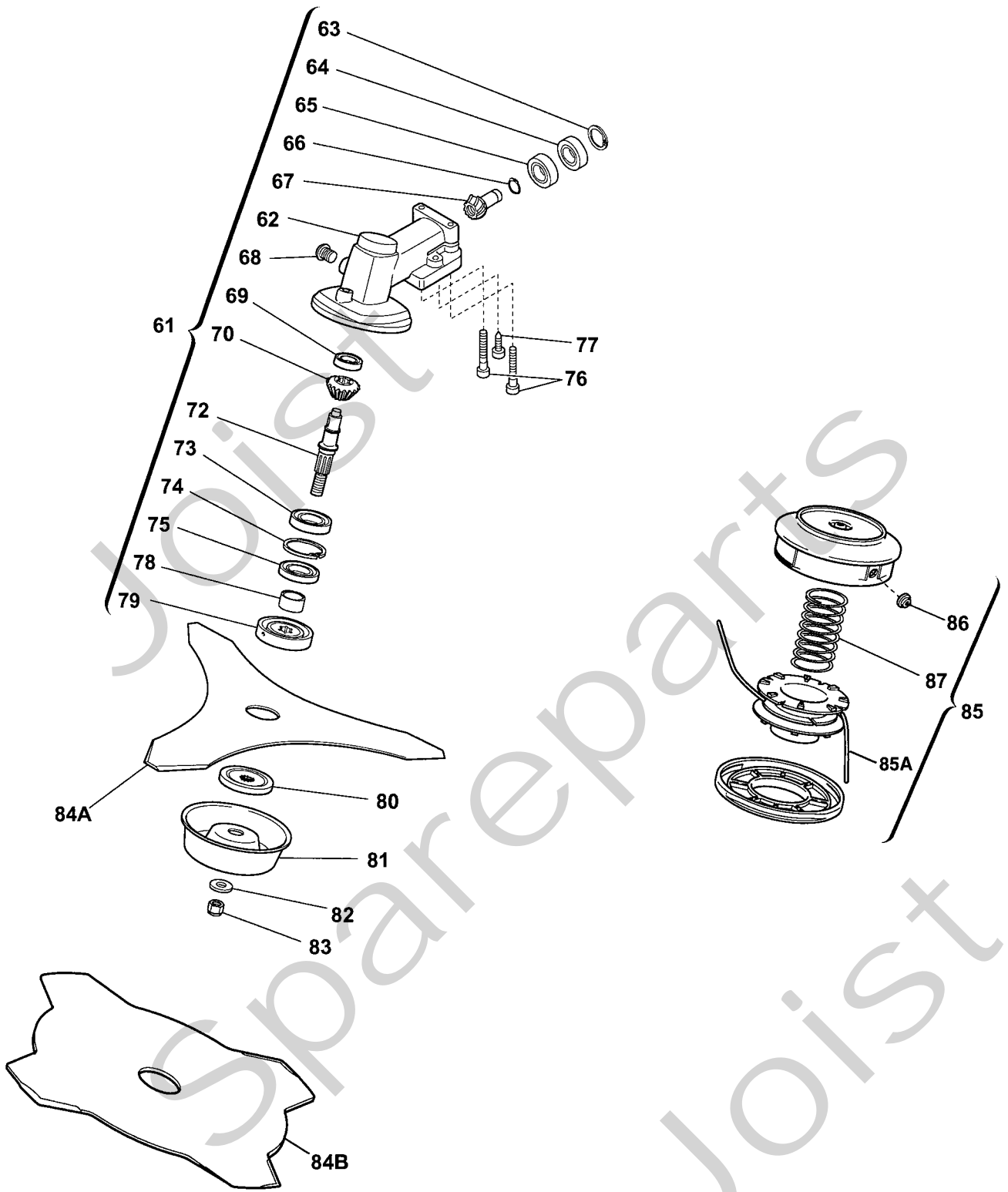
Genuine Spare Parts



Spareparts
Joist



Utgåva Issue		Bildnr Picture No		SB 426 RÖJARE RIGG		SB 426 BRUSH CUTTER DRIVE SHAFT		Sida Page	
2006- 12		1972						310	
Pos. Fig.	Antal/Quantity			Art nr Part No	Benämning	Description	Sats Kit	Anmärkning Notes	
	4404 -11								
1	1			1911-4206-01	Kopplingstrumma.....	Clutch drum.....			
2	1			1911-4189-01	Transmissionsstöd.....	Transmission support.....			
3	1			1911-4154-01	Gaffel.....	Fork.....			
4	1			1911-3002-01	Skruv.....	Screw.....			
5	1			1911-4155-01	Hylsa.....	Grommet.....			
6	1			1911-4188-01	Stöd.....	Support.....			
7	1			1911-4245-01	Bussning.....	Bushing.....			
8	1			1911-3267-01	Bricka.....	Washer.....			
9	1			1911-3007-01	Skruv.....	Screw.....			
10	1			1911-4236-01	Reducering.....	Reduction.....			
11	4			1911-3011-01	Skruv.....	Screw.....			
12	1			1911-3002-01	Skruv.....	Screw.....			
13	1			1911-4176-01	Lagernav.....	Bearing hub.....			
14	1			1911-4135-01	Gaswire.....	Throttle wire.....			
15	1			1911-4128-01	Kabel.....	Coil-switch cable.....			
16	1			1911-4129-01	Jordkabel.....	Ground cable.....			
17	1			1911-3704-01	Wirehölje.....	Wire sheath.....			
18	1			1911-3007-01	Skruv.....	Screw.....			
19	1			1911-4187-01	Fäste-sele.....	Harness support.....			
20	1			1911-3278-01	Mutter.....	Nut.....			
21	1			1911-3203-01	Handtag kpl.....	Handle assy.....		Inkl. pos 22 - 29	
22	1			1911-3001-01	• Skruv.....	• Screw.....			
23	1			1911-3089-01	• Fjäder.....	• Spring.....			
24	1			1911-3108-01	• Gasreglage.....	• Throttle lever.....			
25	1			1911-3109-01	• Säkerhetsspärr.....	• Safety lever.....			
26	1			1911-3090-01	• Fjäder.....	• Spring.....			
27	1			1911-3053-01	• Stoppkontakt.....	• Stop switch.....			
28	1			9747-0531-02	• Mutter.....	• Nut.....			
29	1			1911-3008-01	• Skruv.....	• Screw.....			
30	1			1911-4181-01	Reduktion.....	Reduction.....			
31	1			1911-4253-01	Transmissionsrör.....	Transmission tube.....			
32	1			1911-4258-01	Transmissionsaxel.....	Transmission shaft.....			
33	4			1911-3009-01	Skruv.....	Screw.....			
34	1			1911-4203-01	Styrfäste-övre.....	Handle support-upper.....			
35	1			1911-4214-01	Styre kpl.....	Handle assy.....		Inkl. pos 36	
36	1			1911-4172-01	• Handtag-vä.....	• Grip-LH.....			
37	1			1911-4202-01	Styrfäste-mitten.....	Handle support-middle.....			
38	1			1911-4257-01	Styrfäste-undre.....	Handle support-lower.....			
39	2			1911-3008-01	Skruv.....	Screw.....			
43	1			1911-3998-01	Wirejustering.....	Throttle cable adjust.....			
44	2			1911-4000-01	Mutter.....	Nut.....			
46	1			1911-3261-01	Skruv.....	Screw.....			
47	1			1911-3724-01	Sele.....	Harness.....			
51	1			1911-3201-01	Säkerhetsskydd kpl.....	Safety cover assy.....		Inkl. pos 52 - 55	
52	1			1911-3022-01	• Mutter.....	• Nut.....			
53	1			1911-3216-01	• Bricka.....	• Washer.....			
54	1			1911-3077-01	• Kniv.....	• Line cutter.....			
55	1			1911-3006-01	• Skruv.....	• Screw.....			
56	2			1911-3009-01	Skruv.....	Screw.....			
57	2			1911-3216-01	Bricka.....	Washer.....			
99	1			1911-3212-01	Skyddsglasögon.....	Protective goggles.....		Tillbehör/accessory	



Utgåva Issue 2006-12	Bildnr Picture No 1973A	SB 425- SB 426 RÖJARE SNÄCKVÄXEL	SB 425- SB 426 BRUSH CUTTER GEAR CASE	Sida Page 312
----------------------------	-------------------------------	--	---	---------------------

Pos. Fig.	Antal/Quantity				Art nr Part No	Benämning	Description	Sats Kit	Anmärkning Notes
	4403 4404 -11								
61	1				1911-4222-01	Snäckväxel kpl.....	Gear case assy.....		Inkl. pos 62 - 79
62	1				1911-4124-01	• Snäckväxelhus.....	• Gear case.....		
63	1				1911-3678-01	• Låsring.....	• Lock ring.....		
64	1				1911-3662-01	• Kullager.....	• Ball bearing.....		
65	1				1911-3038-01	• Kullager.....	• Ball bearing.....		
66	1				1911-3677-01	• Låsring.....	• Lock ring.....		
67	1				1911-4234-01	• Snäckdrev.....	• Pinion.....		
68	1				1911-3029-01	• Skruv.....	• Screw.....		
69	1				1911-3663-01	• Kullager.....	• Ball bearing.....		
X 70	1				1911-4457-01	• Drev.....	• Ring gear.....		
X 72	1				1911-4441-01	• Axel.....	• Shaft.....		
73	1				1911-3039-01	• Kullager.....	• Ball bearing.....		
74	1				1911-3679-01	• Låsring.....	• Lock ring.....		
75	1				1911-3664-01	• Tätningsring.....	• Seal ring.....		
76	2				1911-3008-01	• Skruv.....	• Screw.....		
77	1				1911-3025-01	• Skruv.....	• Screw.....		
78	1				1911-3690-01	• Hylsa.....	• Collar.....		
79	1				1911-3683-01	• Ringmutter- övre.....	• Ring nut- upper.....		
80	1				1911-3680-01	Ringmutter- nedre.....	Ring nut- lower.....		
81	1				1911-4242-01	Stabilisator.....	Stabilizer.....		
82	1				1911-4228-01	Bricka.....	Washer.....		
83	1				1911-4232-01	Mutter.....	Nut.....		
X 84A	1				1911-4530-01	Röjklina.....	Clearing blade.....	3T - Ø 255 mm	
84B	1				1911-3179-01	Röjklina.....	Clearing blade.....	4T - Ø 255 mm	
85	1				1911-4148-01	Skärhuvud kpl.....	Nylon head assy.....	Inkl. pos 86 - 87	
85A	1				1911-9008-04	Skärtråd (2.4 mm).....	Cutting line (2.4 mm).....	0.45 kg (90 m)	
85A	1				1911-9008-08	Skärtråd (2.4 mm).....	Cutting line (2.4 mm).....	15 m	
86	2				1911-3875-01	• Trådhylsa.....	• Line inlet.....		
87	1				1911-3876-01	• Fjäder.....	• Spring.....		
98	1				1911-3853-01	Fetttub.....	Grease tube.....	Ej ill/not ill.	
99	1				1911-3850-01	Klingskydd.....	Blade guard.....	Ej ill/not ill.	