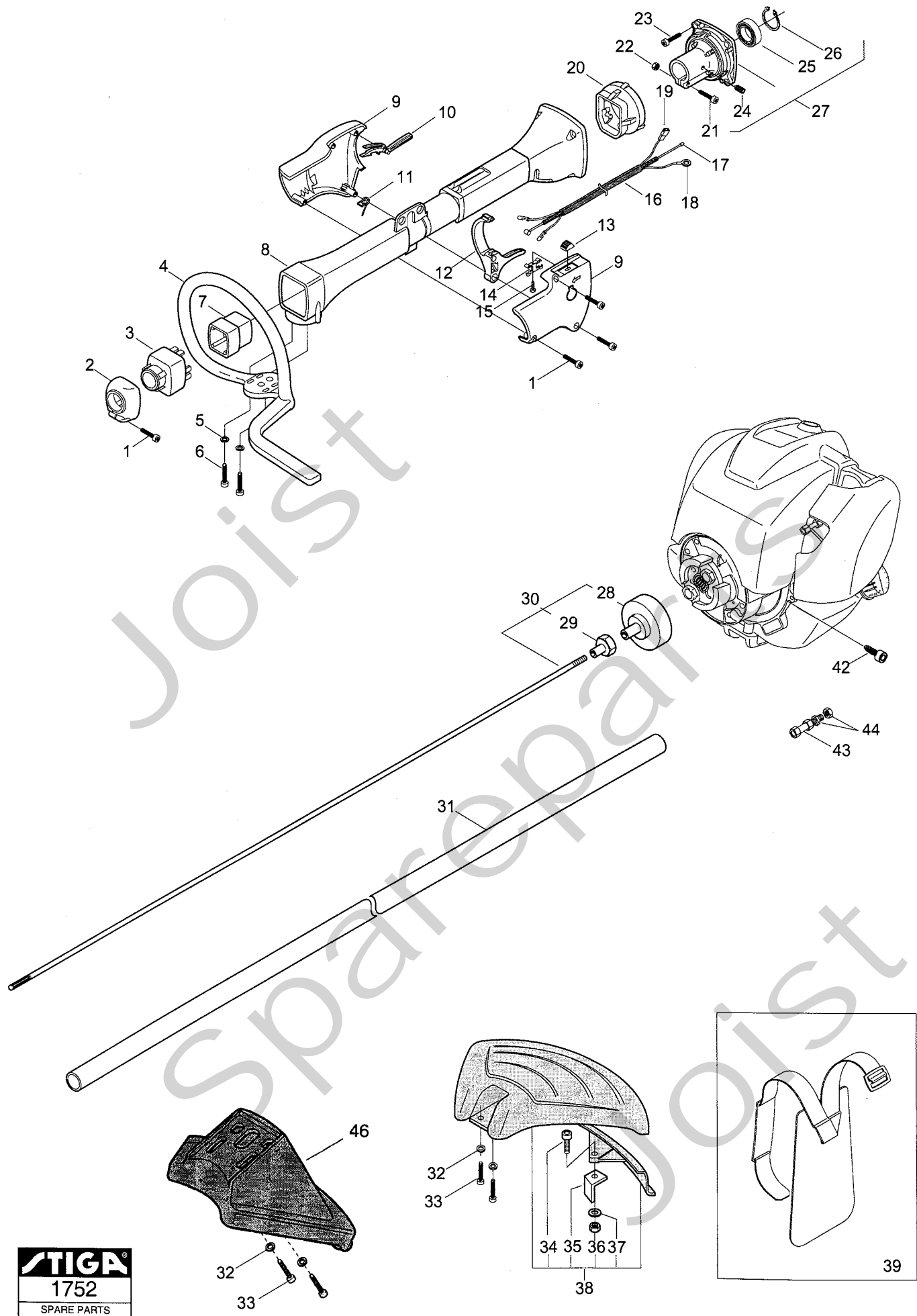


Genuine Spare Parts

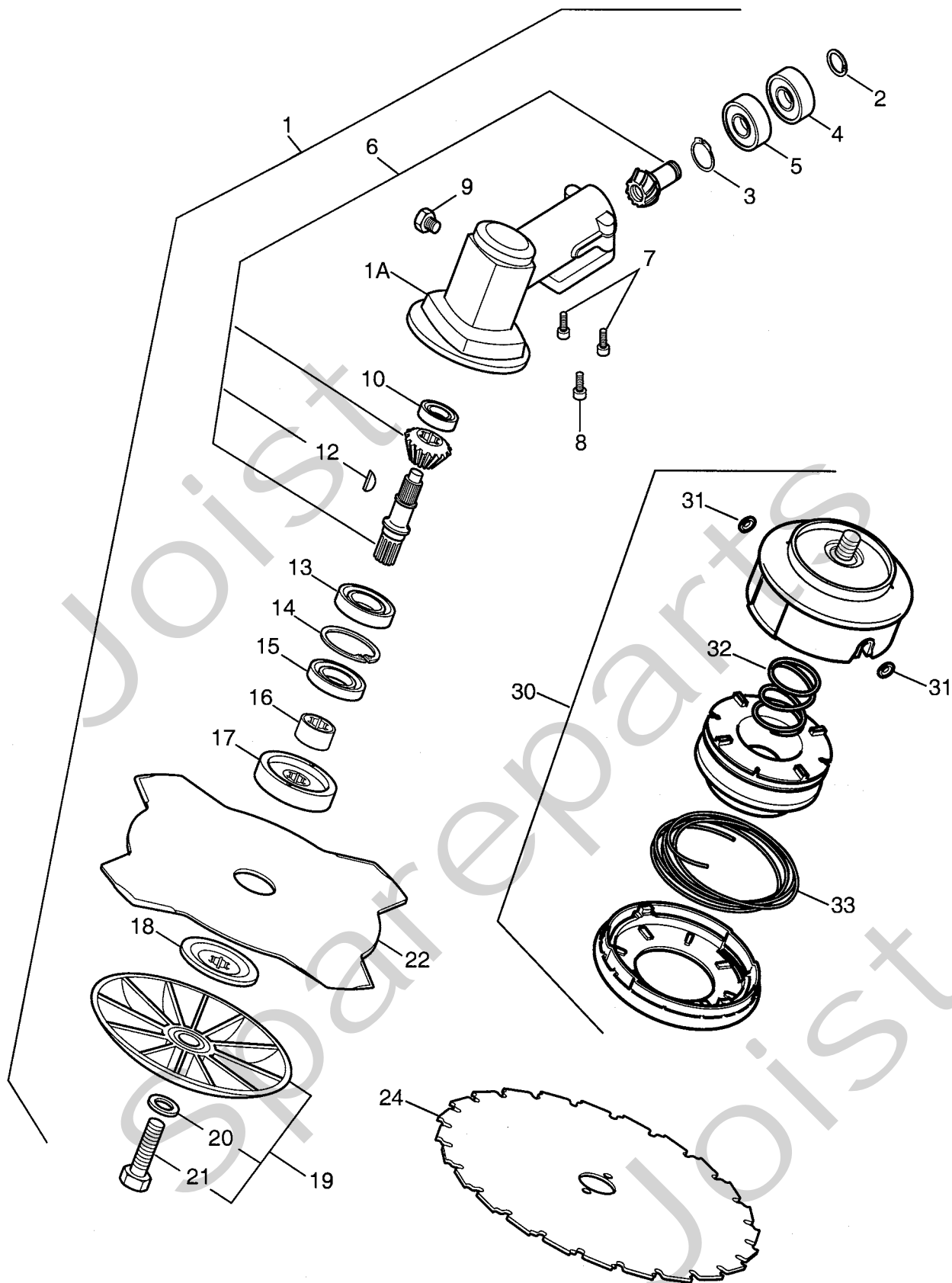


Joist
Spareparts
Joist



STIGA
1752
SPARE PARTS

Utgåva Issue 2004-12		Bildnr Picture No 1752		SB 435 RÖJARE RIGG		SB 435 BRUSH CUTTER DRIVE SHAFT		Sida Page 282	
Pos. Fig.	Antal/Quantity			Art nr Part No	Benämning	Description	Sats Kit	Anmärkning Notes	
	4401								
X	1	4		1911-3001-01	Skruv	Screw			
X	2	1		1911-4006-01	Stöd- fram	Housing support- front.....			
X	3	1		1911-4004-01	Vibrationsdämpare- fra	Shock absorber- front			
X	4	1		1911-4009-01	Handtag- fram	Handle- front			
	5	2		1911-3216-01	Bricka	Washer			
	6	2		1911-3251-01	Skruv	Screw			
X	7	1		1911-4007-01	Distans	Step- down spacer			
X	8	1		1911-4008-01	Transmissionshus	Transmission housing			
X	9	1		1911-4010-01	Handtagshus	Handgrip housing			
X	10	1		1911-4003-01	Säkerhetsspärr	Safety lever			
X	11	1		1911-4001-01	Fjäder	Spring			
X	12	1		1911-4002-01	Gasreglage	Throttle lever			
	13	1		1911-3699-01	Stoppknapp	Stop knob			
	14	1		1911-3681-01	Stopplatta	Stop plate			
	15	1		1911-3656-01	Skruv	Screw			
X	16	1		1911-3999-01	Kabelhölje	Wire sheath			
X	17	1		1911-3995-01	Gaswire	Throttle wire			
X	18	1		1911-3992-01	Jordkabel- svart	Earth cable- black			
X	19	1		1911-3991-01	Kabel- röd	Cable- red			
X	20	1		1911-4005-01	Vibrationsdämpare- bak	Shock absorber- rear			
	21	1		1911-3011-01	Skruv	Screw			
	22	1		1911-3021-01	Mutter	Nut			
	23	4		1911-3012-01	Skruv	Screw			
	24	1		1911-3658-01	• Skruv	• Screw			
	25	1		1911-3035-01	• Kullager	• Ball bearing			
	26	1		1911-3066-01	• Låsring	• Lock ring			
	27	1		1911-3188-01	Transmissionsnav kpl	Transmission hub assy		Inkl. pos 24 - 26	
	28	1		1911-3134-01	• Kopplingstrumma	• Clutch			
	29	1		1911-3083-01	• Lagernav	• Bearing hub			
	30	1		1911-3140-01	Drivaxel kpl	Transm. shaft assy		Inkl. pos 28 - 29	
	31	1		1911-3139-01	Drivaxelrör	Transmission pipe			
	32	2		1911-3216-01	Bricka	Washer			
	33	2		1911-3009-01	Skruv	Screw			
	34	1		1911-3006-01	• Skruv	• Screw			
	35	1		1911-3077-01	• Kniv	• Line cutter			
	36	1		1911-3022-01	• Mutter	• Nut			
	37	1		1911-3216-01	• Bricka	• Washer			
	38	1		1911-3201-01	Säkerhetskydd kpl	Safety cover assy		Inkl. pos 34 - 37	
	39	1		1911-3724-01	Sele	Harness			
	42	1		1911-3261-01	Skruv	Screw			
X	43	1		1911-3998-01	Wirejustering	Throttle cable adjust			
X	44	2		1911-4000-01	Mutter	Nut			
	46	1		1911-3166-01	Stenskydd (sågklinga)	Stone shield (saw)			
	99	1		1911-3212-01	Skyddsglasögon	Protective goggles		Ej ill(not ill.	



Utgåva Issue		Bildnr Picture No		SB 435- SB 436 RÖJARE SNÄCKVÄXEL		SB 435- SB 436 BRUSH CUTTER GEAR CASE		Sida Page
2004-12		1285B						286
Pos. Fig.	Antal/Quantity			Art nr Part No	Benämning	Description	Sats Kit	Anmärkning Notes
	4401	4402						
1	1			1911-3137-01	Snäckväxel kpl.....	Gear case assy.....		Inkl. pos 2 - 21
1A	1			1911-3161-01	Snäckväxelhus.....	Gear case.....		
2	1			1911-3067-01	• Låsring.....	• Lock ring.....		
3	1			1911-3065-01	• Låsring.....	• Lock ring.....		
4	1			1911-3037-01	• Kullager.....	• Ball bearing.....		
5	1			1911-3036-01	• Kullager.....	• Ball bearing.....		
6	1			1911-3182-01	• Snäckdrev.....	• Worm gear.....		
7	2			1911-3008-01	• Skruv.....	• Screw.....		
8	1			1911-3025-01	• Skruv.....	• Screw.....		
9	1			1911-3029-01	• Skruv.....	• Screw.....		
10	1			1911-3038-01	• Kullager.....	• Ball bearing.....		
12	1			1911-3049-01	• Kil.....	• Key.....		
13	1			1911-3034-01	• Kullager.....	• Ball bearing.....		
14	1			1911-3066-01	• Låsring.....	• Lock ring.....		
15	1			1911-3045-01	• Tättningsring.....	• Oil seal.....		
16	1			1911-3082-01	• Hylsa.....	• Collar.....		
17	1			1911-3081-01	• Ringmutter- övre.....	• Ring nut- upper.....		
18	1			1911-3070-01	• Ringmutter- nedre.....	• Ring nut- lower.....		
19	1			1911-3163-01	• Skål kpl (fast).....	• Bowl assy (fixed).....	Inkl. pos 20 - 21	
20	1			1911-3018-01	• • Bricka.....	• • Washer.....		
21	1			1911-3026-01	• • Skruv (vä- gängad).....	• • Screw (LH- thread).....		
22	1			1911-3179-01	Röjklinga.....	Clearing blade.....	4T - Ø 255 mm Ej ill/not ill.	
22A	1			1911-3850-01	Klingskydd.....	Blade guard.....		
24	1			1911-3921-01	Sågklinga.....	Saw blade.....	24T - Ø 255 mm	
30	1			1911-3877-01	Skärhuvud kpl.....	Cutterhead assy.....	Inkl. pos 31 - 32	
31	2			1911-3875-01	• Trådhylsa.....	• Line inlet.....		
32	1			1911-3876-01	• Fjäder.....	• Spring.....		
33	1			1911-9008-04	Skärtråd (2.4 mm).....	Cutting line (2.4 mm).....	0.45 kg (90 m) 15 m	
33	1			1911-9008-08	Skärtråd (2.4 mm).....	Cutting line (2.4 mm).....		
99	1			1911-3853-01	Fettub.....	Grease tube.....	Ej ill/not ill.	

X