

Genuine Spare Parts

www.stiga.com

SB 29 DS Model Year 2011

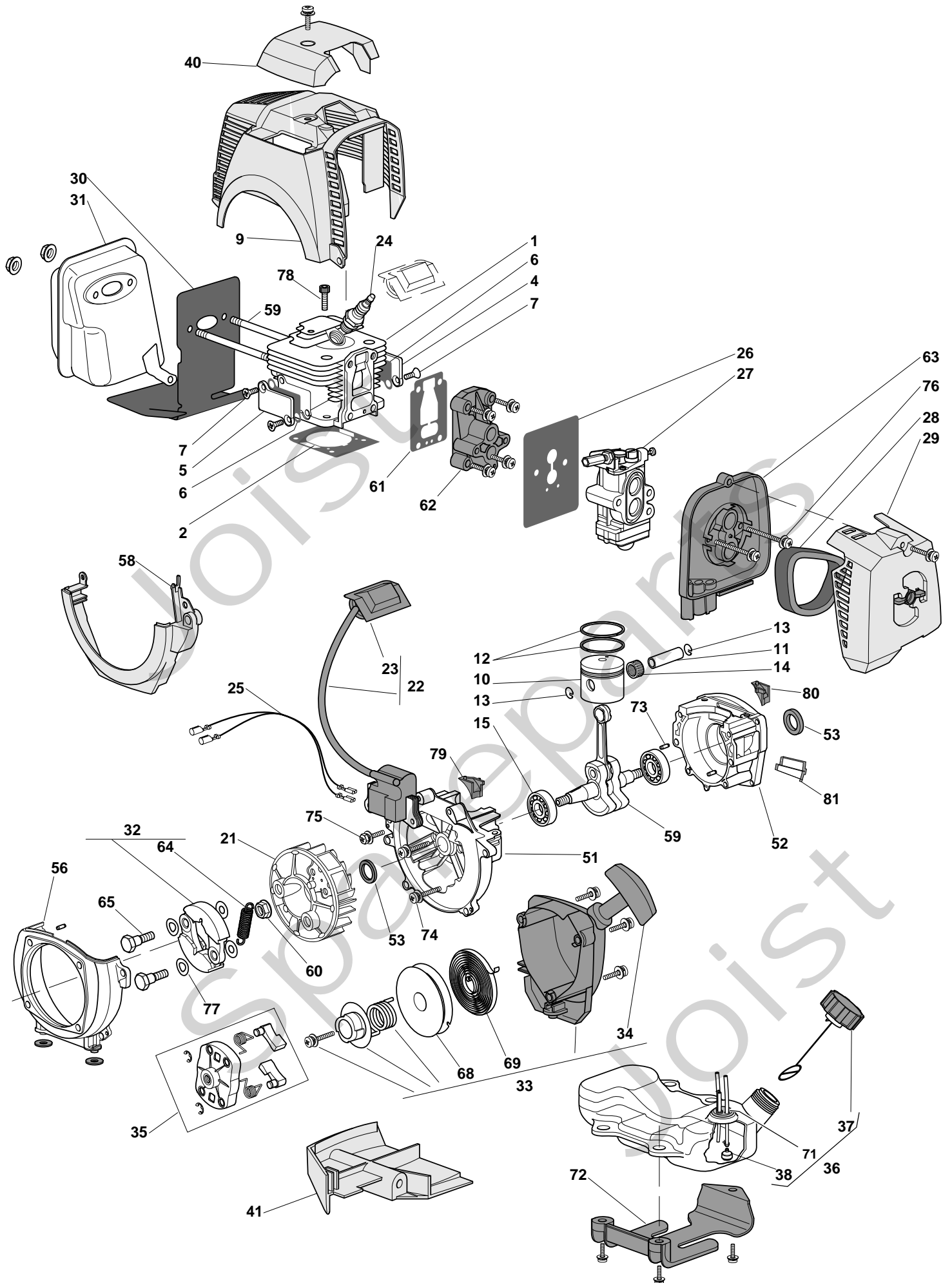
- Use GLOBAL GARDEN PRODUCT Genuine Spare Parts specified in the parts list for repair and/or replacement.
- The contents described in the parts list may change due to improvement.
- The drawings of the spare parts are only indicative and might not represent the part in question exactly.
- The indications "right" - "left" - "front" - "rear" refer to the position of the operator when using the machine.
- When placing orders of parts for repair and/or replacement, make sure that the illustrated parts list is the one applying to the machine's year of manufacture, as shown on the identification plate attached to the machine.

COPYRIGHT by GLOBAL GARDEN PRODUCTS

All rights reserved. No part of this material may be reproduced or transmitted, in any form or by any means, electronic or mechanical, including photocopying, recording or by any information storage and retrieval system, without permission in writing from GLOBAL GARDEN PRODUCTS.

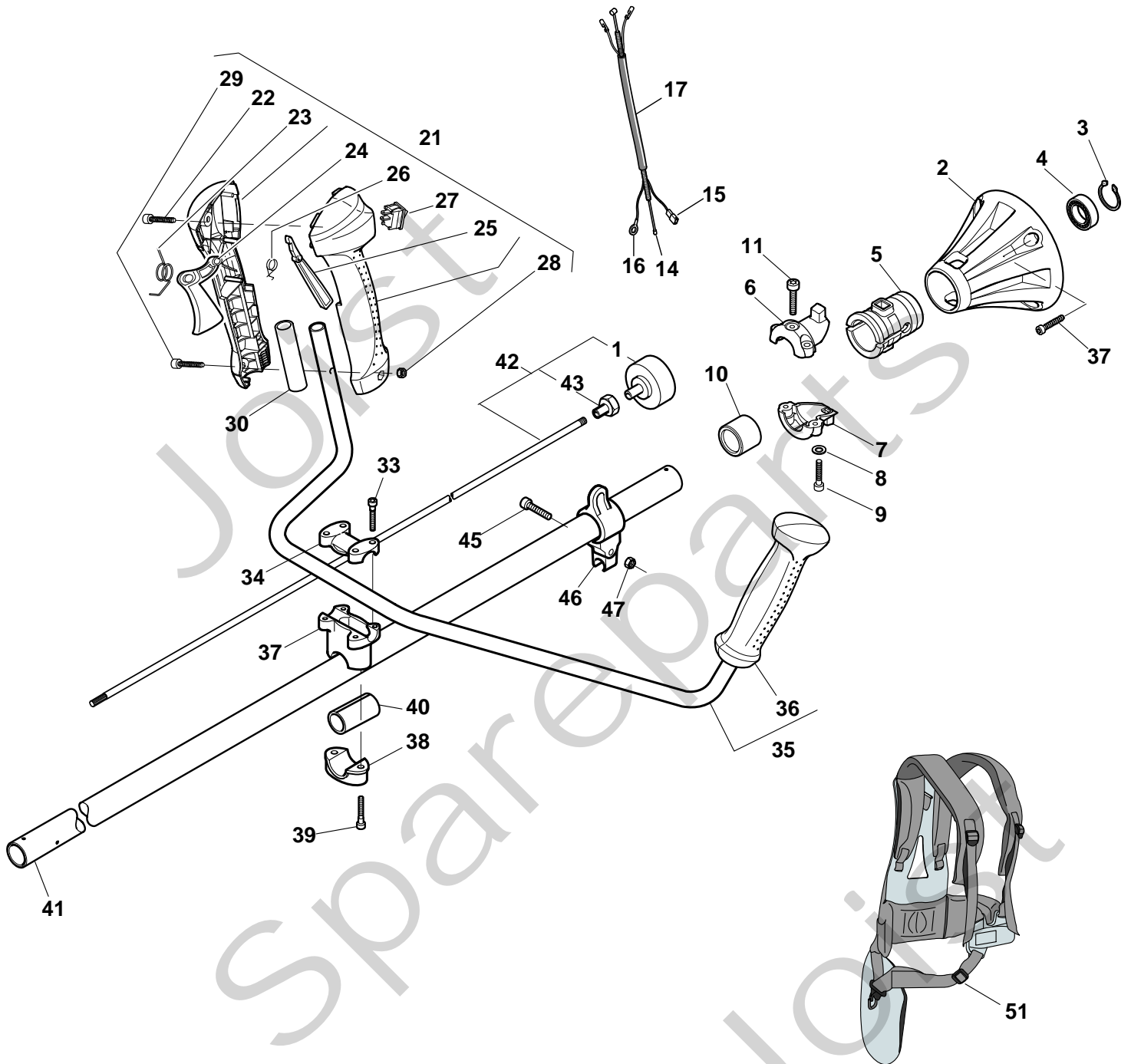


SB 29 DS





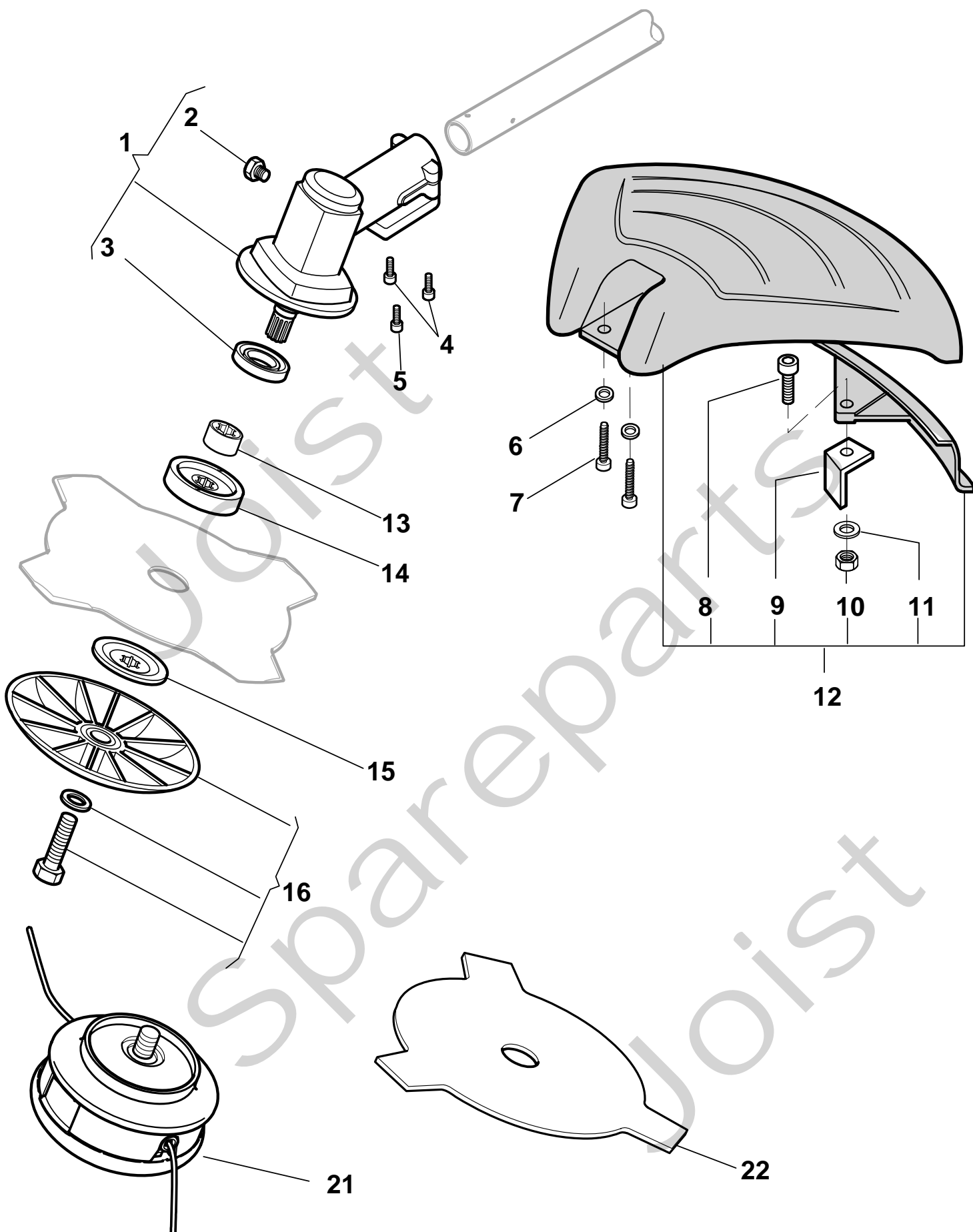
Pos. Fig.	Antal Quantity	Art No Part No	Benämning	Description	Anmärkning Notes
1	1	123071019/0	Cylinder	Cylinder	
2	1	123280056/0	Cylinderkåpa	Cylinder Gasket	
4	1	123109568/0	Kåpa	Cover	
5	1	123109569/0	Kåpa	Cover	
6	2	123280032/0	Packning	Gasket	
7	4	123878054/0	Skruv	Screw	
9	1	323106019/0	Motorlucka	Yellow Cylinder Cover	
10	1	123590004/0	Kolv	Piston	
11	1	123760001/0	Kolvbult	Piston Pin	
12	2	123204007/0	Kolvring	Piston Ring	
13	2	123202002/0	Låsring	Washer, Piston Pin	
14	1	123235003/0	Nållager	Needle Bearing	
15	2	114215215/0	Kullager	Bearing	
21	1	123880005/0	Svängjul	Flywheel	
22	1	123044012/0	Elektron kspole	Electronic Coil	
23	1	323053003/0	Tändstiftshatt	Spark Plug Cover	
24	1	3210024	Tändstift	Spark Plug	
25	1	183065028/0	Jordkabel	Earth Cable	
26	1	123280033/0	Packning	Intake-Carb Gasket	
27	1	123054029/0	Förgasare	Carburettor	
28	1	123220009/0	Luftfilter	Air Filter	
29	1	183090007/0	Luftfilterkåpa	Filter Cover, Yellow	
30	1	123280028/0	Packning	Gasket	
31	1	183740013/0	Ljuddämpare	Muffler	
32	1	183215005/0	Koppling kpl	Clutch Ass.Y	
33	1	183058034/0	Start kpl	Starter Ass.Y	
34	1	123300007/0	Starthandtag	Starter Handle	
35	1	123082002/0	Startkopp	Starter Cup Ass.Y	
36	1	183733005/0	Bränsletank	Fuel Tank Ass.Y	
37	1	183790008/0	Tanklock	Fuel Cap Ass.Y	
38	1	183520004/0	Bränslefilter	Intake Filter	
39	2	123878061/0	Stud Skruv	Double-Screw Bolt	
40	1	323109543/0	Tändstiftshatt	Yellow Cover, Spark Plug	
41	1	323600056/0	Skydd	Lower Guard, Yellow	
51	1	123685005/0	Vevhus	Crank Case	
52	1	123685004/0	Vevhus	Crank Case	
53	2	119035160/0	Tätningring	Seal Ring	
56	1	123208410/0	Transm.stödhus	Transm.Support Case	
58	1	323109542/0	Kåpa	Case, Yellow	
59	1	123020026/0	Vevaxel	Crankshaft	
60	1	123120005/0	Mutter	Nut	
61	1	123280052/0	Packning	Intake Manif-Gasket	
62	1	123073510/0	Insugningsrör	Intake Manifold	
63	1	123040002/0	Luftfilterstöd	Air Cleaner Base	
64	1	123430586/0	Fjäder	Spring	
65	2	123878059/0	Skruv	Screw	
68	1	123604008/0	Linhjul	Starter Pulley	
69	1	123430589/0	Startfjäder	Spring	
71	1	123275022/0	Gummitätning	Grommet Ass.Y	
72	1	123784005/0	Skydd	Guard	
73	2	123753002/0	Centrerstift	Centring Pin	
74	3	123878066/0	Skruv	Screw	
75	2	123878064/0	Skruv	Screw	
76	2	123878065/0	Skruv	Screw	
77	2	123657010/0	Bricka	Washer	
78	4	123878063/0	Skruv	Screw	
79	1	123294001/0	Guide	Guide	
80	1	123294000/0	Guide	Guide	
81	1	123109559/0	Hjulskydd	Guard	





SB 29 DS

Pos. Fig.	Antal Quantity	Art No Part No	Benämning	Description	Anmärkning Notes
1	1	4121881/1	Kopplingshjul	Clutch Drum	
2	1	323782006/0	Transmissionsstöd	Support Trasm.Assy	
3	1	3353080	Låsring	Ring	
4	1	3112170	Kullager	Bearing	
5	1	323275018/0	Gummihylsa	Grommet	
6	1	323720002/0	Stöd	Support	
7	1	323720003/0	Stöd	Support	
8	2	2370050	Bricka	Washer	
9	2	2135030	Skruv	Screw	
10	1	323044218/0	Bussning	Bushing	
11	1	2135010	Skruv	Screw	
14	1	123066020/0	Gaswire	Wire Ass.Y	
15	1	123065024/0	Kabel	Coil-Switch Cable	
16	1	123065025/0	Jordkabel	Earth Cable	
17	1	3786240	Wirehö je	Wire Sheath	
21	1	383300021/0	Handtag	Handle Ass.Y (Incl.2-9)	
22	1	2123030	Skruv	Screw	
23	1	3654270/1	Fjäder Arm Gaswire	Spring	
24	1	323315083/0	Gasreglage	Throttle Lever	
25	1	323315084/0	Säkerhetsspärr	Safety Lever	
26	1	3654280/1	Fjäder	Spring	
27	1	3210970	Brytare	Stop Switch	
28	1	12154330/0	Mutter	Nut	
29	1	2135050	Skruv	Screw	
30	1	23655001/0	Reduktion	Reduction	
31	4	2132110	Skruv	Screw	
33	4	2135060	Skruv	Screw	
34	1	4541500/1	Styretstöd-övre	Upper Handgrip Support	
35	1	383394008/0	Styre kpl	Handle Ass.Y	
36	1	323395052/0	Handtag-vä	Left Handle	
37	1	4541490/1	Styretstöd	Handle Support	
38	1	4541510	Styrfäste-undre	Lower Handgrip Support	
39	2	2135050	Skruv	Screw	
40	2	3721410	Rubber Facing	Rubber Facing	
41	1	383869067/0	Drivaxelrör	Trasmission Pipe Ass.Y	
42	1	4251410	Transmissionsaxel	Transm.Shaft Ass.Y (Incl.8-9)	
43	1	3642221	Lagernav	Bearing Hub	
45	1	2135040	Skruv	Screw	
46	1	23780000/0	Batteristöd	Harness Support	
47	1	2412030	Mutter	Nut	
51	1	123046000/0	Sele	Harness	





SB 29 DS

Pos. Fig.	Antal Quantity	Art No Part No	Benämning	Description	Anmärkning Notes
1	1	4252770/2	Snäckväxel kpl	Gear Case Assy (Incl. 2÷21) [Ø24]	
2	1	2653460	Skruv	Screw	
3	1	3121180	Tätningring	Oil Seal	
4	2	2135050	Skruv	Screw	
5	1	2653090	Skruv	Screw	
6	2	2312150	Bricka	Washer	
7	2	2135060	Skruv	Screw	
8	1	2135030	Skruv	Screw	
9	1	3615000	Kniv	Line Cutter	
10	1	12154330/0	Mutter	Nut	
11	1	2312150	Bricka	Washer	
12	1	8563570	Stänkskydd kpl	Safety Cover Ass.Y (Incl.40-43)	
13	1	3660680	Hylsa	Collar	
14	1	3641650	Ringmutter-övre	Upper Ring Nut	
15	1	3612650	Ringmutter-nedre	Lower Ring Nut	
16	1	4560610	Stabilisator kpl	Stabilizer	
21	1	4353240/1	Skärhuvud kpl	2 Hedges Nylon Head	
22	1	6031172	Röjklina	3 Teeth 25 Cm	