

Genuine Spare Parts

www.stiga.com

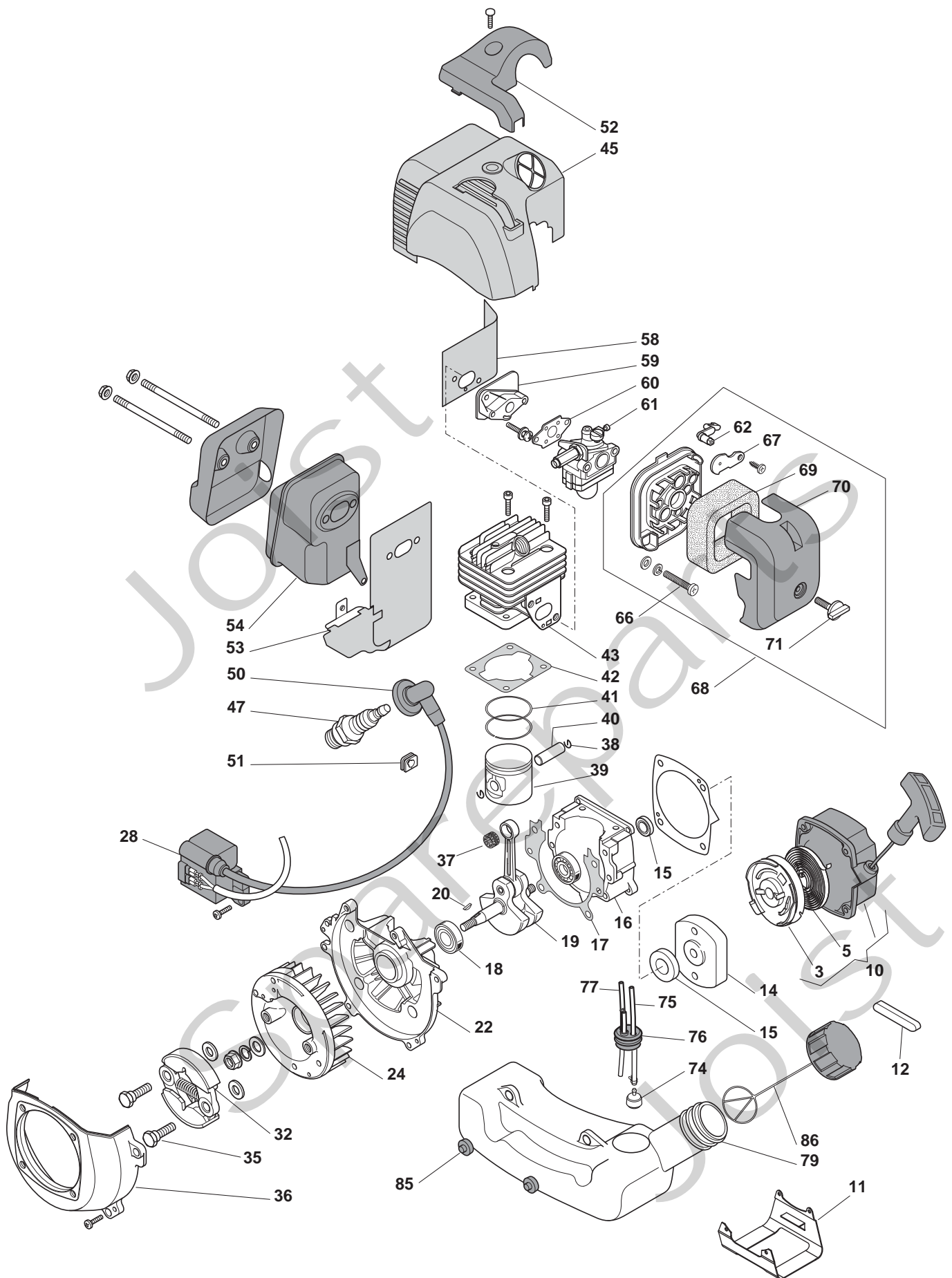
B> ' &)
Model Year 2011

- Use GLOBAL GARDEN PRODUCT Genuine Spare Parts specified in the parts list for repair and/or replacement.
- The contents described in the parts list may change due to improvement.
- The drawings of the spare parts are only indicative and might not represent the part in question exactly.
- The indications "right" - "left" - "front" - "rear" refer to the position of the operator when using the machine.
- When placing orders of parts for repair and/or replacement, make sure that the illustrated parts list is the one applying to the machine's year of manufacture, as shown on the identification plate attached to the machine.

COPYRIGHT by GLOBAL GARDEN PRODUCTS

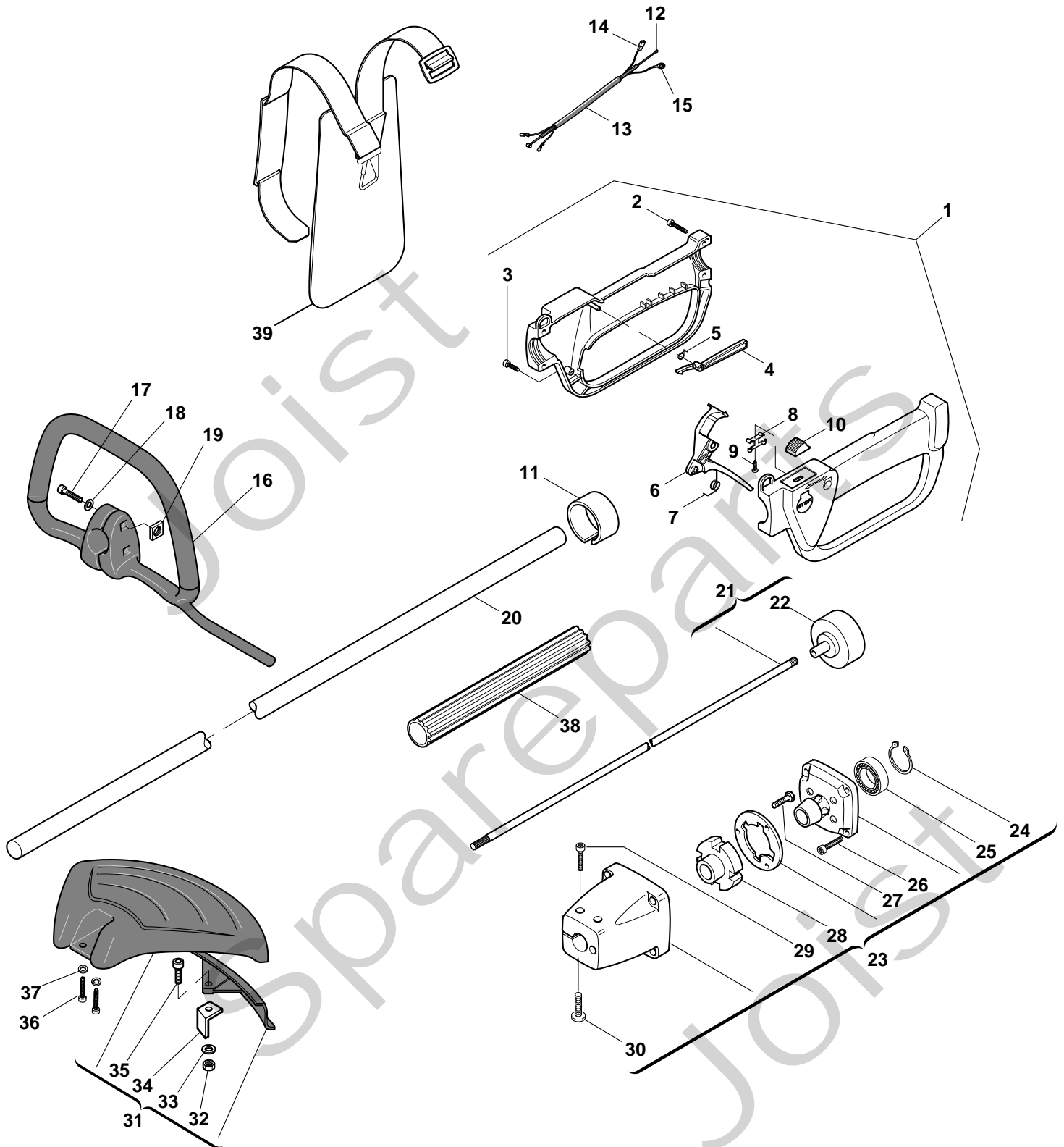
All rights reserved. No part of this material may be reproduced or transmitted, in any form or by any means, electronic or mechanical, including photocopying, recording or by any information storage and retrieval system, without permission in writing from GLOBAL GARDEN PRODUCTS.

STIGA®



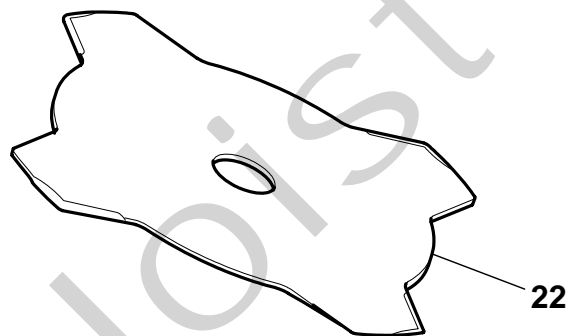
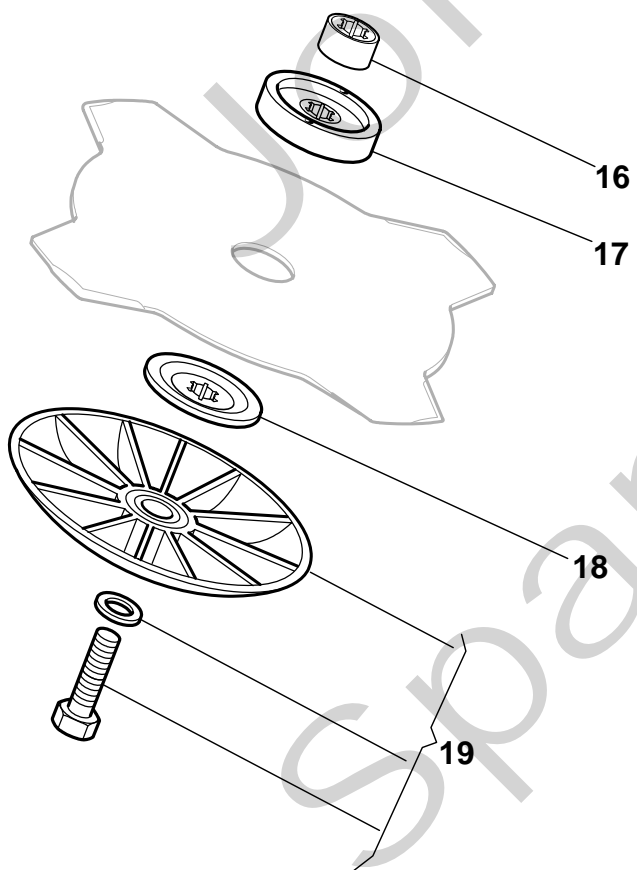
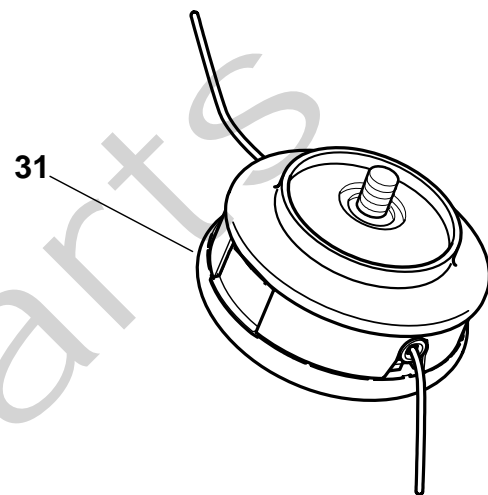
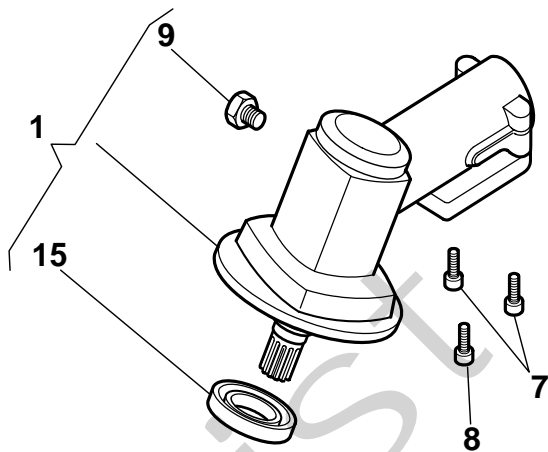


Pos. Fig.	Antal Quantity	Art No Part No	Benämning	Description	Anmärkning Notes
3	1	123604007/0	Linhjul	Starter Pulley	
5	1	123430585/0	Startfjäder	Spring	
10	1	183058041/0	Start kpl	Starter Ass.Y	
11	1	123784010/0	Motor Platta	Engine Support	
12	1	123275034/0	Gummihylsa	Grommet	
14	1	183082004/0	Startkopp	Starter Cup Ass.Y	
15	2	119035159/0	Tätningarring	Seal Ring	
16	1	123685026/0	Vevhus	Crank Case	
17	1	123280047/0	Packning	Gasket	
18	2	114215218/0	Kullager	Ball Bearing	
19	1	123020025/0	Vevaxel	Crankshaft	
20	1	123072002/0	Kil	Key	
22	1	123685027/0	Vevhus	Crank Case	
24	1	123880018/0	Svånghjul	Flywheel	
28	1	123044018/0	Elektron kspole	Electronic Coil	
32	1	123430583/0	Koppling kpl	Clutch Ass.Y	
35	2	123878058/0	Skruv	Screw	
36	1	123208422/0	Transm.stödhus	Transm.Support Case	
37	1	123235007/0	Nållager	Needle Bearing	
38	2	123202009/0	Låsring	Circlip	
39	1	123590008/0	Kolv	Piston	
40	1	123760007/0	Kolvbult	Piston Pin	
41	2	123204010/0	Kolvring	Piston Ring	
42	1	123280045/0	Cylinderkåpa	Cylinder Gasket	
43	1	123071024/0	Cylinder	Cylinder	
45	1	123087025/0	Cylinderkåpa-gul	Cylinder Cover Yellow	
47	1	3210024	Tändstift	Spark Plug	
50	1	123053002/0	Tändstiftshatt	Spark Plug Cover	
51	1	123275023/0	Hylsa	Grommet	
52	1	123109552/0	Tändstiftshatt	Cover, Spark Plug	
53	1	123280043/0	Packning	Gasket	
54	1	183740022/0	Ljuddämpare	Muffler	
58	1	123280041/0	Packning	Intake Manif-Gasket	
59	1	123073509/0	Insugningsrör	Intake Manifold	
60	1	123280039/0	Packning	Intake-Carb Gasket	
61	1	123054026/1	Förgasare	Carburettor	
62	1	123315089/0	Chokearm	Choke Lever	
66	2	2132160	Skruv	Screw	
67	1	123190000/0	Arm	Shutter	
68	1	183220003/0	Lufffilter kpl	Air Filter	
69	1	123220011/0	Lufffilter	Air Filter	
70	1	123090026/0	Lufffilterlock	Air Cleaner Cover	
71	1	123878056/0	Knopp	Knob	
72	1	123275021/0	Gummihylsa	Grommet	
74	1	183520005/0	Bränslefilter	Intake Filter	
75	1	123867030/0	Braånsleslang	Tube	
77	1	123867031/0	Rör	Tube	
79	1	123733003/0	Bränsletank kpl	Kit Fuel Tank	
85	2	123280060/0	Gummihylsa	Grommet	
86	1	183790009/0	Tanklock	Fuel Cap Assy	





Pos. Fig.	Antal Quantity	Art No Part No	Benämning	Description	Anmärkning Notes
1	1	8562620/1	Handtag	Handle Ass.Y (Incl.2-11)	
2	4	2123030	Skruv	Screw	
4	1	3743475	Säkerhetsspärr	Safety Lever	
5	1	3654300	Fjäder	Spring	
6	1	3743465	Gasreglage	Throttle Lever	
7	1	3654270/1	Fjäder Arm Gaswire	Spring	
8	1	3612710	Stopplatta	Stop Plate	
9	1	2123070	Skruv	Screw	
10	1	3749270	Stoppknapp	Stop Knob	
11	2	3749920	Reduktion	Reduction	
12	1	1L4252540/1		Wire Ass.Y	
12	1	4252540	Gaswire	Wire Ass.Y	
13	1	3786030	Höje	Wire Sheath	
14	1	123065022/0	Kabel	Coil-Switch Cable	
15	1	3211120	Jordkabel	Earth Cable (Black)	
16	1	23300001/0	Handtag-främre	Front Handle	
17	2	2135050	Skruv	Screw	
18	2	2312090	Bricka	Washer	
19	2	2461030	Mutter	Nut	
20	1	8251201	Drivaxelrör	Trans.Pipe Assy	
21	1	4251400	Transmissionsaxel	Trans.Shaft Assy	
22	1	4121861/1	Kopplingshjul	Clutch	
23	1	8562960	Transmissionsstöd	Support Trasm.Assy	
24	1	3353080	Låsring	Ring	
25	1	3112170	Kullager	Bearing	
26	4	2135160	Skruv	Screw	
27	4	2123030	Skruv	Screw	
28	1	3744260	Hylsa	Shock Absorber	
29	2	2123110	Skruv	Screw	
30	1	2123100	Skruv	Screw	
31	1	8563570	Stänkskydd kpl	Safety Cover Ass.Y (Incl.40-43)	
32	1	12154330/0	Mutter	Nut	
33	1	2312150	Bricka	Washer	
34	1	3615000	Kniv	Line Cutter	
35	1	2135030	Skruv	Screw	
36	2	2135060	Skruv	Screw	
37	2	2312150	Bricka	Washer	
38	1	23170000/0	Distans	Spacer	
39	1	4253460	Sele	Harness Mod.31	





Pos. Fig.	Antal Quantity	Art No Part No	Benämning	Description	Anmärkning Notes
1	1	4252780/1	Snäckväxel kpl	Gear Case Assy [Ø26]	
7	2	2135050	Skruv	Screw	
8	1	2653090	Skruv	Screw	
9	1	2653460	Skruv	Screw	
15	1	3121170	Tätningring	Oil Seal	
16	1	3641700/1	Krage	Collar	
17	1	3641640	Ringmutter-övre	Upper Ring Nut	
18	1	3612640	Ringmutter-nedre	Lower Ring Nut	
19	1	4560610	Stabilisator kpl	Stabilizer	
20	1	2321230	Bricka	Washer	
21	1	2653170	Skruv	Screw	
22	1	4611880	Röjklina	4 Teeth 25 Cm	
31	1	4353240/1	Skärhuvud kpl	2 Hedges Nylon Head	