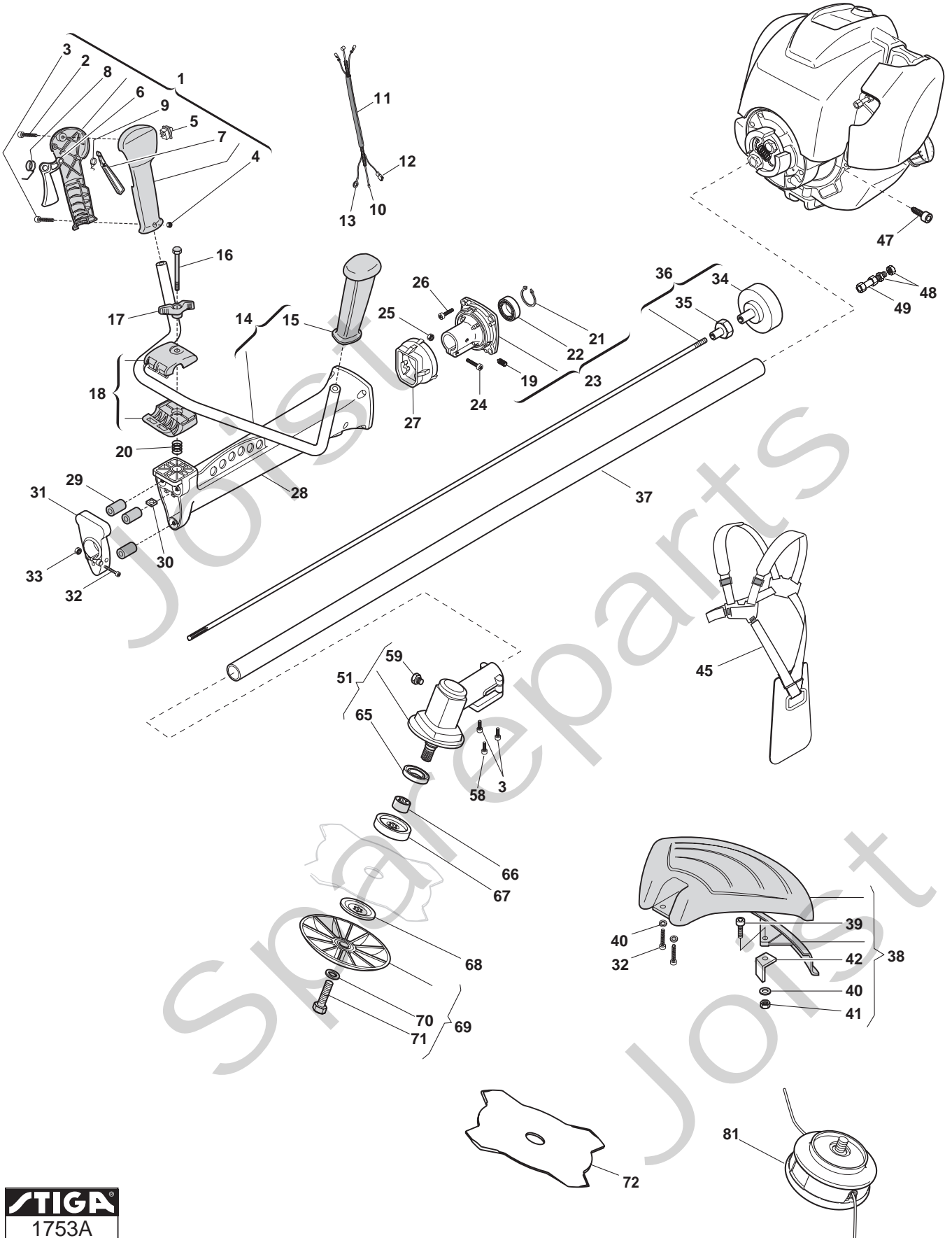


Genuine Spare Parts



Joist
Spareparts
Joist



Utgåva Issue		Bildnr Picture No		SB 435HD RÖJARE	SB 435HD BRUSH CUTTER	Sida Page			
2008- 12		1753A				334			
Pos. Fig.	Antal/Quantity				Art nr Part No	Benämning	Description	Sats Kit	Anmärkning Notes
	4402 -12								
1	1			8563830	Handtag kpl	Handle assy.....			Inkl. pos 2 - 9
2	1			2123030	• Skruv	• Screw			
3	3			2135050	• Skruv	• Screw			
4	1			12154330/0	• Mutter	• Nut			
5	1			3210970	• Brytare	• Switch			
6	1			3743431/1	• Gasreglage	• Throttle lever			
7	1			3743441	• Säkerhetsspärr	• Safety lever			
8	1			3654270/1	• Fjäder	• Spring			
9	1			3654280/1	• Fjäder	• Spring			
10	1			23066006/0	Gaswire	Throttle cable			
11	1			23290001/0	Kabelhölje	Cable sheath			
12	1			23065010/0	Kabel- röd	Cable- red			
13	1			23065011/1	Jordkabel- svart	Earth cable- black			
14	1			4252840/1	Styre	Handle			Inkl. pos 15
15	1			3744860/1	• Handtagsgrepp	• Knob			
16	1			2112580	Skruv	Screw			
17	1			3750480	Vingmutter	Wing nut			
18	1			8521070	Styrinfästning kpl	Handgrip support			
19	1			2126050	• Skruv	• Screw			
20	1			3654530	Fjäder	Spring			
21	1			3353080	• Låsring	• Circlip			
22	1			3112170	• Kullager	• Ball bearing			
23	1			3L8520990/3	Transm.nav	Transm.hub			Inkl. pos 19, 21 - 22
24	1			2135150	Skruv	Screw			
25	1			2432030	Mutter	Nut			
26	4			2135160	Skruv	Screw			
27	1			3744330	Vibrationsdämpare- bak	Shock absorber- rear			
28	1			4563850/2	Transmissionshus	Transmission housing			
29	3			3744320	Vibrationsdämpare- fra	Shock absorber- front			
30	1			3615190	Fästplatta	Handle fixing plate			
31	1			4563860	Stöd- främre	Housing support- front			
32	4			2135060	Skruv	Screw			
33	2			12154330/0	Mutter	Nut			
34	1			4121861/1	• Kopplingshjul	• Clutch drum			
35	1			3642191	• Lagernav	• Bearing hub			
36	1			4251400	Drivaxel kpl	Transmission shaft			Inkl. pos 34 - 35
37	1			4251204	Drivaxelrör	Transmission pipe			
38	1			8563570	Stänkskydd kpl	Safety cover assy			Inkl. pos 39 - 42
39	1			2135030	• Skruv	• Screw			
40	3			2312150	• Bricka	• Washer			
41	1			2432040	• Mutter	• Nut			
42	1			3615000	• Kniv	• Line cutter			
45	1			4253440	Sele	Harness			
47	1			2135020	Skruv	Screw			
48	2			2412090	Mutter	Nut			
49	1			3630600/1	Kabeljustering	Wire adjuster			
51	1			4252780/1	Snäckväxel kpl	Gear case assy			Inkl. pos 59, 65
58	1			2653090	Skruv	Screw			
59	1			2653460	• Skruv	• Screw			
65	1			3121170	• Tätningring	• Oil seal			
66	1			3641700/1	Krage	Collar			
67	1			3641640	Ringmutter- övre	Ring nut- upper			
68	1			3612640	Ringmutter- nedre	Ring nut- lower			
69	1			4560610	Stabilisator kpl	Stabilizer assy			Inkl. pos 70 - 71
70	1			2321230	• Bricka	• Washer			
71	1			2653170	• Skruv	• Screw			
72	1			4611880	Röjklinga	Blade			4T - Ø 255 mm
81	1			4353240/1	Skärhuvud kpl	Cutting head assy			M8 x 1,25 SX male
98	1			9959905	Skyddsglasögon	Protective goggles			Tillbehör/accessory
99	1			1911- 9008- 04	Skärtråd (2.4 mm)	Cutting line (2.4 mm)			0.45 kg (90 m)
99	1			1911- 9008- 08	Skärtråd (2.4 mm)	Cutting line (2.4 mm)			15 m

X