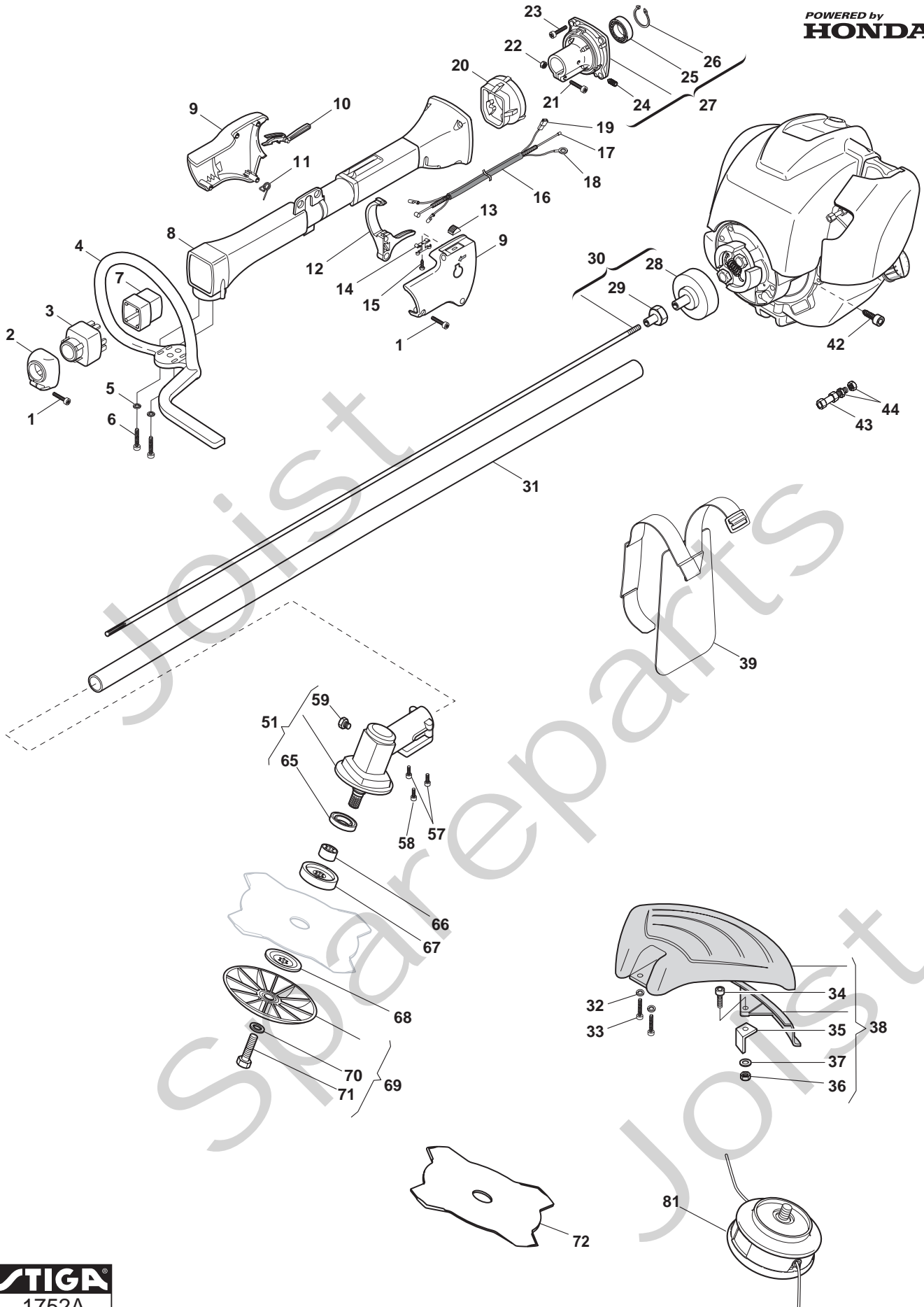


Genuine Spare Parts



Joist
Spareparts
Joist

POWERED by
HONDA



| Utgåva Issue | | Bildnr Picture No | | SB 435H RÖJARE | | SB 435H BRUSH CUTTER | | Sida Page | |
|-----------------|----------------|----------------------|--|-------------------|-----------------------------|-----------------------------|-------------|---------------------|---------------------|
| 2008- 12 | | 1752A | | | | | | 332 | |
| Pos. Fig. | Antal/Quantity | | | | Art nr Part No | Benämning | Description | Sats Kit | Anmärkning Notes |
| | 4401 -12 | | | | | | | | |
| 1 | 4 | | | 2123030 | Skruv..... | Screw..... | | | |
| 2 | 1 | | | 3750330 | Stöd- främre | Housing support- front..... | | | |
| 3 | 1 | | | 3744290 | Vibrationsdämpare- fr. | Shock absorber- front | | | |
| 4 | 1 | | | 4563560 | Handtag- främre..... | Handle- front | | | |
| 5 | 2 | | | 2312150 | Bricka | Washer | | | |
| 6 | 2 | | | 2123140 | Skruv | Screw | | | |
| 7 | 1 | | | 3750340 | Reduktionsdistans | Step- down spacer | | | |
| 8 | 1 | | | 4563531 | Transmissionshus | Transmission housing | | | |
| 9 | 1 | | | 8563540 | Handtagshalvor | Handgrip housing | | | |
| 10 | 1 | | | 3743630 | Säkerhetsspärr | Safety lever | | | |
| 11 | 1 | | | 3654490 | Fjäder..... | Spring | | | |
| 12 | 1 | | | 3743620 | Gasreglage..... | Throttle lever..... | | | |
| 13 | 1 | | | 3749270 | Stoppknapp | Stop knob | | | |
| 14 | 1 | | | 3612710 | Stopplatta | Stop plate..... | | | |
| 15 | 1 | | | 2123070 | Skruv | Screw | | | |
| 16 | 1 | | | 3786200/1 | Kabelhölje..... | Wire sheath..... | | | |
| 17 | 1 | | | 23066005/0 | Gaswire | Throttle cable | | | |
| 18 | 1 | | | 23065009/0 | Jordkabel- svart..... | Earth cable- black | | | |
| 19 | 1 | | | 23065008/0 | Kabel- röd | Cable- red..... | | | |
| 20 | 1 | | | 3744300 | Vibrationsdämpare- ba..... | Shock absorber- rear..... | | | |
| 21 | 1 | | | 2135150 | Skruv | Screw | | | |
| 22 | 1 | | | 2432030 | Mutter | Nut | | | |
| 23 | 4 | | | 2135160 | Skruv | Screw | | | |
| 24 | 1 | | | 2126050 | • Skruv | • Screw | | | |
| 25 | 1 | | | 3112170 | • Kullager | • Ball bearing | | | |
| 26 | 1 | | | 3353080 | • Låsring | • Circlip..... | | | |
| 27 | 1 | | | 3L8520990/3 | Transm.nav | Transm.hub | | Inkl. pos 24 - 26 | |
| 28 | 1 | | | 4121861/1 | • Kopplingshjul..... | • Clutch drum | | | |
| 29 | 1 | | | 3642191 | • Lagernav..... | • Bearing hub..... | | | |
| 30 | 1 | | | 4251400 | Drivaxel kpl..... | Transmission shaft..... | | Inkl. pos 28 - 29 | |
| 31 | 1 | | | 4251204 | Drivaxelrör..... | Transmission pipe | | | |
| 32 | 2 | | | 2312150 | Bricka | Washer..... | | | |
| 33 | 2 | | | 2135060 | Skruv | Screw | | | |
| 34 | 1 | | | 2135030 | • Skruv | • Screw | | | |
| 35 | 1 | | | 3615000 | • Kniv | • Line cutter | | | |
| 36 | 1 | | | 2432040 | • Mutter | • Nut | | | |
| 37 | 1 | | | 2312150 | • Bricka | • Washer | | | |
| 38 | 1 | | | 8563570 | Stänkskydd kpl | Safety cover assy | | Inkl. pos 34 - 36 | |
| 39 | 1 | | | 4253460 | Sele | Harness..... | | | |
| 42 | 1 | | | 2135020 | Skruv | Screw | | | |
| 43 | 1 | | | 3630600/1 | Kabeljustering..... | Wire adjuster..... | | | |
| 44 | 2 | | | 2412090 | Mutter..... | Nut | | | |
| 51 | 1 | | | 4252780/1 | Snäckväxel kpl..... | Gear case assy | | Inkl. pos 59, 65 | |
| 57 | 2 | | | 2135050 | Skruv | Screw | | | |
| 58 | 1 | | | 2653090 | Skruv | Screw | | | |
| 59 | 1 | | | 2653460 | • Skruv | • Screw | | | |
| 65 | 1 | | | 3121170 | • Tätningsring | • Oil seal | | | |
| 66 | 1 | | | 3641700/1 | Krage..... | Collar | | | |
| 67 | 1 | | | 3641640 | Ringmutter- övre | Ring nut- upper | | | |
| 68 | 1 | | | 3612640 | Ringmutter- nedre | Ring nut- lower | | | |
| 69 | 1 | | | 4560610 | Stabilisator kpl..... | Stabilizer assy | | Inkl. pos 70 - 71 | |
| 70 | 1 | | | 2321230 | • Bricka | • Washer | | | |
| 71 | 1 | | | 2653170 | • Skruv | • Screw | | | |
| 72 | 1 | | | 4611880 | Röjklinga | Blade | | 4T - Ø 255 mm | |
| 81 | 1 | | | 4353240/1 | Skärhuvud kpl..... | Cutting head assy..... | | M8 x 1,25 SX male | |
| 98 | 1 | | | 9959905 | Skyddsglasögon..... | Protective goggles | | Tillbehör/accessory | |
| 99 | 1 | | | 1911- 9008- 04 | Skärtråd (2.4 mm)..... | Cutting line (2.4 mm)..... | | 0.45 kg (90 m) | |
| 99 | 1 | | | 1911- 9008- 08 | Skärtråd (2.4 mm)..... | Cutting line (2.4 mm)..... | | 15 m | |