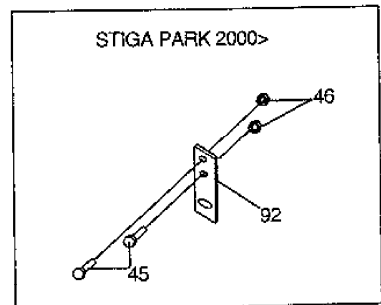
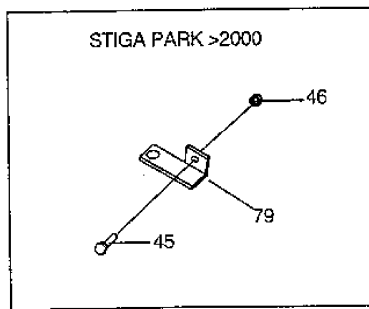
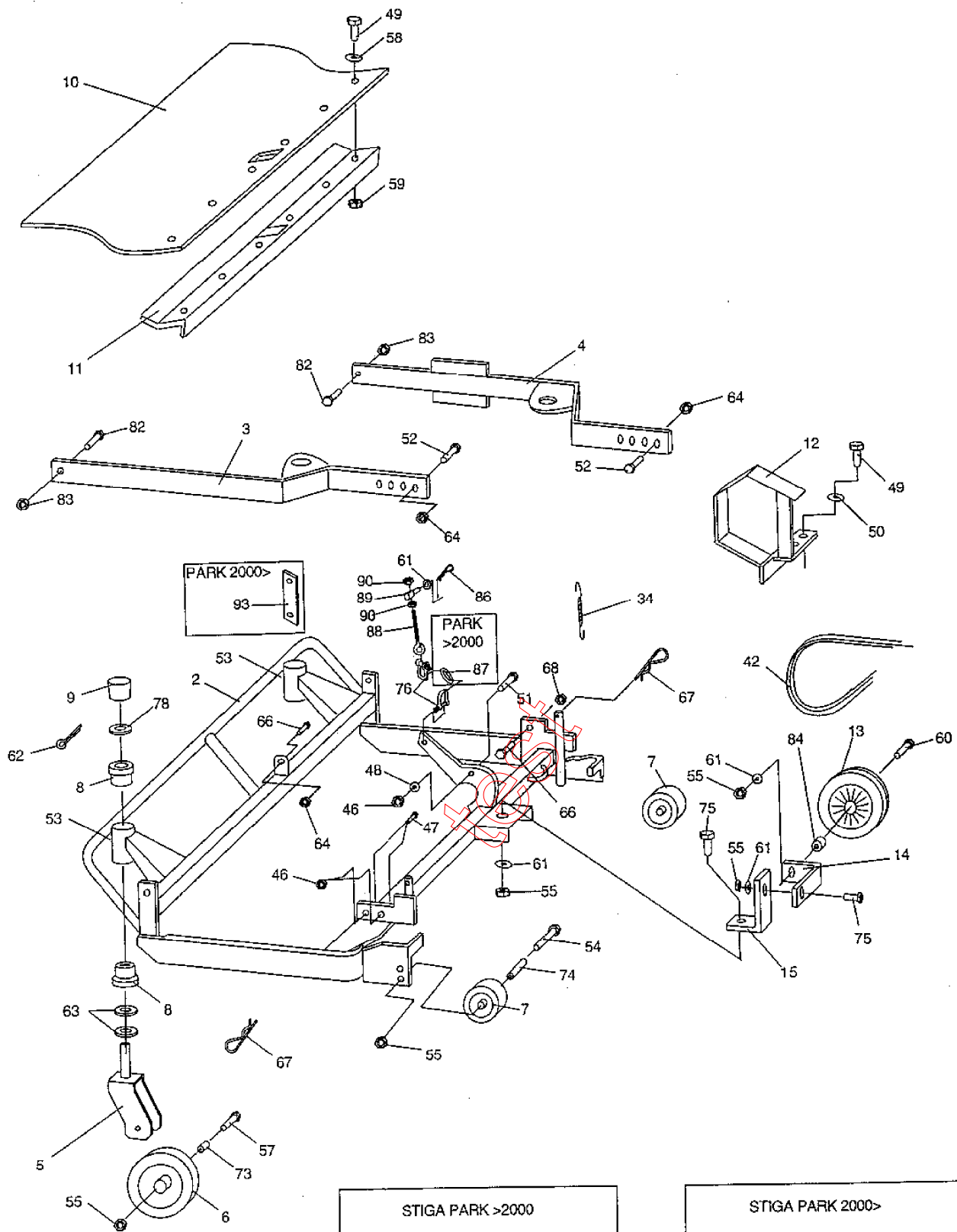


Section: FLAIL MOWER ART.NO 13-1977-13 LAWN RAKE ART.NO 13-1984-13

Pos.	Quantity	Spare part No	Description	Kit	Notes	New
		1977	1984			
1	1	1319-1761-01	Frame			
13	1	1319-1591-01	Pulley			
16	1	1319-1713-01	Belt guard			
17	1	1319-1765-01	Lift rod			
18	2	1319-1715-01	Side plate			
19	1	1482-0160-01	Spring			
20	1	1134-3193-01	Lever handle			
21	1	1134-3128-01	Height adj.quadrant			
22	1	1319-1770-01	Lift shaft			
23	1	1319-1737-01	Lift plate			
24	1	1319-1769-01	Lever			
25	1	1319-1719-01	Tension arm			
26	1	1319-1720-01	Rotor shaft			
27	1	1319-1773-01	Tine kit		Inkl. 27B,46A,51,81	
27	1	1319-1772-01	Tine kit		Inkl. 27A,46A,51	
27A	104	1319-1721-01	.Tine-flail mower			
27B	52	1319-1738-01	.Tine-lawn rake			
28	1	1319-1722-01	Screw			
29	2	1319-1628-01	Bearing			
30	2	1319-1766-01	Guard plate			
31	2	1319-1767-01	Guard			
32	1	1319-1725-01	Spring holder			
33	1	1482-0160-01	Spring			
35	2	1319-1726-01	Belt pulley		D = 105 mm	
36	1	1319-1727-01	Belt pulley		D = 150 mm	
37	1	1319-1728-01	Shaft			
38	1	1319-1729-01	Support pipe			
39	1	1134-9029-01	V-belt		= 9585-0055-00	
40	2	9549-0027-00	Ball bearing			
41	1	1319-1730-01	Lift rod			
43	1	9997-0860-16	Screw			
44	1	1319-1732-01	Collar			
45	6	9997-0816-16	Screw			
46	10	9747-0831-02	Lock nut			
46A	52	9747-0831-02	.Lock nut			
47	3	9997-0820-16	Screw			
48	8	9699-0028-02	Flat washer			
51	52	9997-0825-16	.Screw			
55	2	9747-1031-02	Lock nut			
56	4	9997-0812-16	Screw			
61	3	9699-0035-02	Flat washer			
65	1	9898-0816-16	Screw			
66	1	1134-0240-00	Shoulder screw			
69	1	1319-1739-01	Screw			
70	1	9787-1031-32	Nut			
71	1	9787-0831-32	Nut			
72	1	1134-3259-01	Wing nut			
77	2	9675-0012-02	Locking washer			
80	4	9997-0612-16	Screw			
81	52	1319-1734-01	.Collar			
84	1	1319-1775-01	Pin wrench			



## Section: FLAIL MOWER ART.NO 13-1977-13 LAWN RAKE ART.NO 13-1984-13

Pos.	Quantity		Spare part No	Description	Kit	Notes	New
		1977	1984				
2	1	1	1319-1762-01	Frame			
3	1	1	1319-1763-01	Side plate-L.H.			
4	1	1	1319-1764-01	Side plate-R.H.			
5	2	2	1319-1708-01	Wheel fork			
6	2	2	1134-3520-01	Support wheel			
7	2	2	1134-0305-00	Casing wheel			
8	1	1	1134-9024-01	Bearing		Sats 4 st/kit of 4	
9	2	2	1319-1709-01	Dust cap			
10	1	1	1319-1710-01	Rubber guard			
11	1	1	1319-1711-01	Rubber guard holder			
12	1	1	1319-1712-01	Belt guard			
13	1	1	1319-1591-01	Pulley			
14	1	1	1319-1518-01	Support			
15	1	1	1319-1517-01	Support			
34	1	1	1111-1842-01	Spring			
42	1	1	1134-9056-01	V-belt		= 9585-0123-00	
45	2	2	9997-0816-16	Screw			
46	5	5	9747-0831-02	Lock nut			
47	2	2	9997-0820-16	Screw			
48	1	1	9699-0028-02	Flat washer			
49	8	8	9997-0620-16	Screw			
50	2	2	9699-0025-02	Washer			
51	3	3	9997-0825-16	Screw			
52	2	2	9997-1035-16	Screw			
53	2	2	9501-0500-00	Grease joint			
54	2	2	9997-1060-12	Screw			
55	7	7	9747-1031-02	Lock nut			
57	2	2	9997-1080-12	Screw			
58	6	6	9699-0085-02	Flat washer			
59	10	10	9747-0631-02	Lock nut			
60	1	1	9997-1050-16	Screw			
61	3	3	9699-0035-02	Flat washer			
62	2	2	9599-0085-02	Split pin			
63	4	4	9699-0042-02	Flat washer			
64	3	3	9739-1031-22	Nut			
66	2	2	1134-0240-00	Shoulder screw			
67	2	2	9598-0003-02	Spring pin			
68	2	2	9747-0831-02	Lock nut			
73	2	2	1319-1735-01	Collar			
74	2	2	1134-0366-00	Bearing socket			
75	2	2	9997-1025-16	Screw			
76	2	2	1134-2629-01	Lift link			
78	2	2	9699-0042-02	Flat washer			
79	1	1	1319-1616-01	Spring attachment		- 1999	
82	2	2	9997-1025-16	Screw			
83	2	2	9747-1031-02	Lock nut			
84	1	1	1319-1776-01	Collar			
86	1	1	9598-0003-02	Spring pin			
87	1	1	1134-2630-01	Link		- 1999	
88	1	1	9405-0031-00	Eye-bolt			
89	1	1	1134-0576-00	Link key			
90	2	2	9799-0831-02	Nut			
92	1	1	1319-1780-01	Holder		2000 -	
93	1	1	1319-1779-01	Link		2000 -	