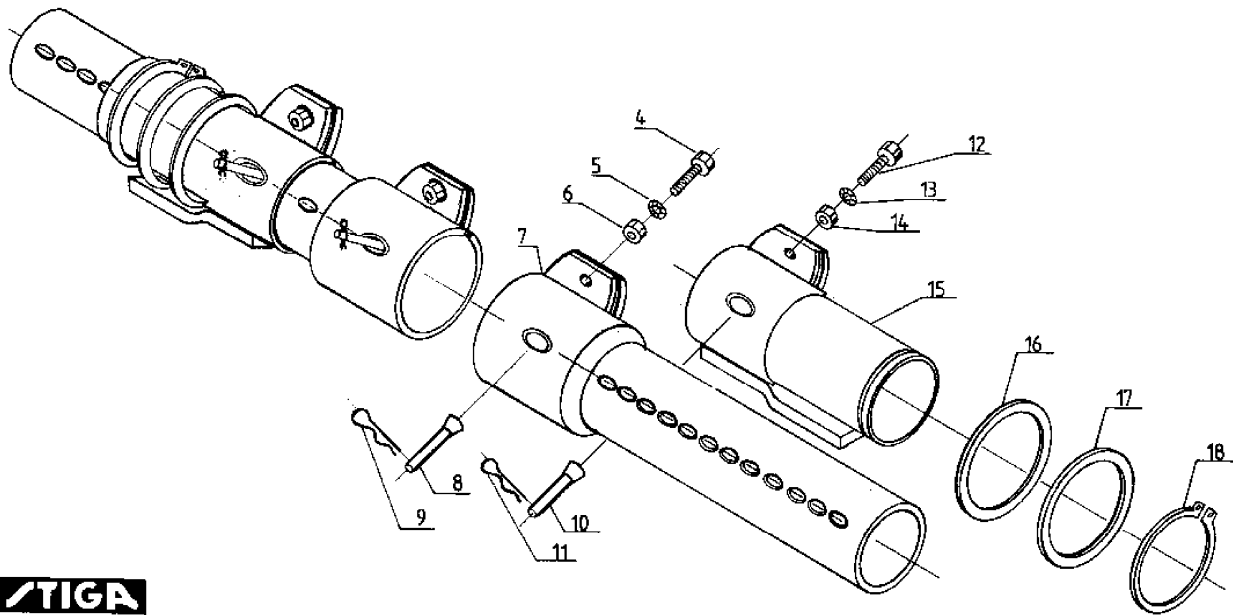


test



## Section: IRON WHEELS 15" ART.NO 14-1939-11

Pos.	Quantity	Spare part No	Description	Kit	Notes	New
------	----------	---------------	-------------	-----	-------	-----

1939

0		..14-1939-11	Iron wheels assy			
1	2	1489-0451-01	Iron wheel I.h/ r.h			
2	2	9650-0038-04	Lock ring			
3	2	1489-0311-01	Washer			
4	2	1489-0311-01	Washer			
5	2	1489-0312-01	Tube shaft			
6	2	1482-0092-00	Pin			
7	2	9598-0002-02	Pin lock			

test