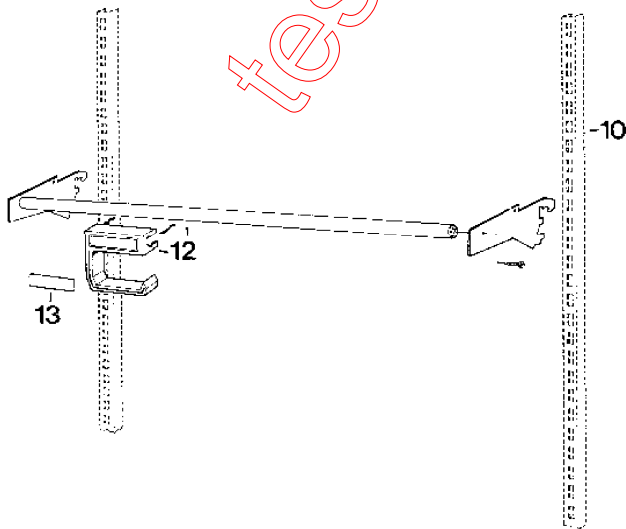
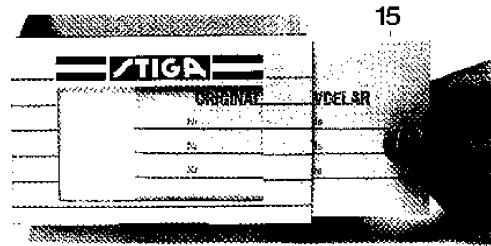
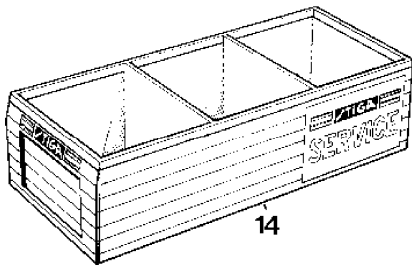


test



STIGA
486
SPARE PARTS



Section: DISPLAY STAND

| Pos. | Quantity | Spare part No | Description | Kit | Notes | New |
|------|----------|---------------|---------------------|-----|---------|-----|
| 1 | 1 | BAL.111.541 | Upright | | 2312 mm | |
| 1 | 1 | BAL.111.521 | Upright | | 1640 mm | |
| 2 | 1 | BAL.110.901 | Stay | | | |
| 3 | 1 | BAL.119.960 | Net back | | | |
| 4 | 1 | BAL.113.290 | Panel canopy | | | |
| 5 | 1 | .81-1189-85 | Label STIGA | | | |
| 6 | 1 | BAL.118.421 | Bracket (pair) | | | |
| 7 | 1 | BAL.118.940 | Wire shelf | | | |
| 8 | 1 | BAL.120.810 | Double hanger | | 150 mm | |
| 9 | 1 | BAL.120.820 | Double hanger | | 250 mm | |
| 10 | 1 | BAL.110.161 | Wall mounted uprigh | | 1620 mm | |
| 10 | 1 | BAL.110.221 | Wall mounted uprigh | | 2188 mm | |
| 11 | 1 | 8290-0067-01 | Sign kit | | | |
| 12 | 1 | 8290-0065-01 | V-belt holder | | | |
| 13 | 1 | 8290-0066-01 | Label kit | | | |
| 14 | 1 | 8200-0805-87 | Part box | | | |
| 15 | 1 | 8200-0806-01 | Label | | | |

test