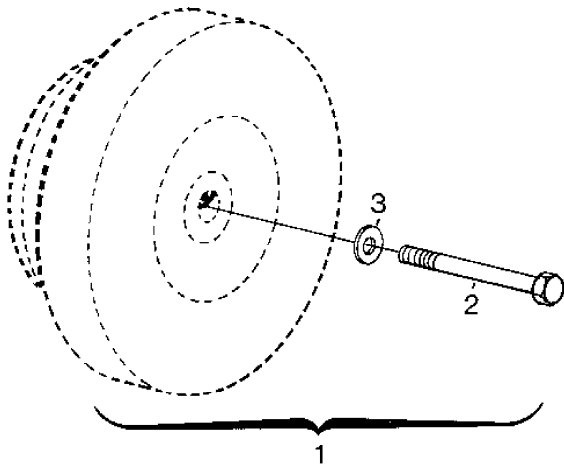
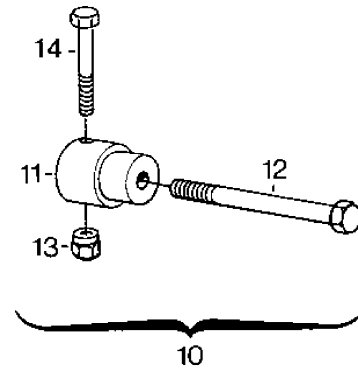


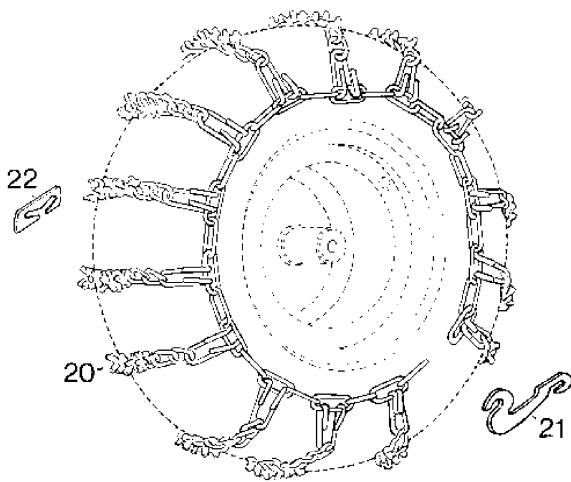
13-1982-11



13-1938-11

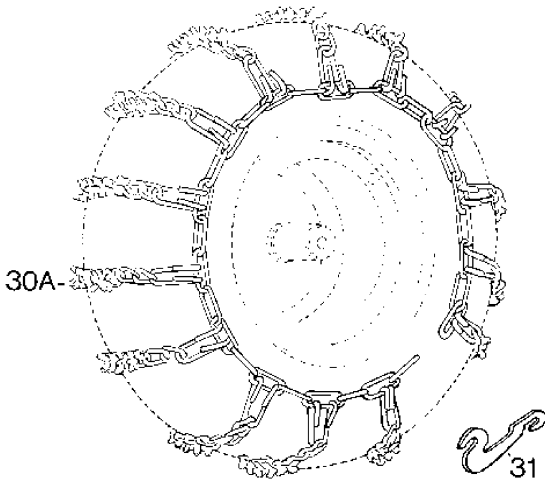


13-1956-11

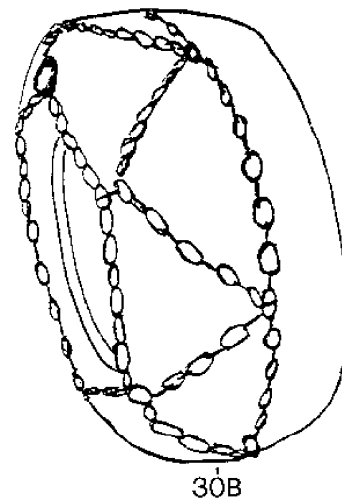


test

13-1920-11



13-1947-11



Section: WHEEL WEIGHT ADAPTER SNOW CHAINS

Pos. Quantity Spare part No Description Kit Notes New

1982 1938 1956 1920 1947

Pos.	Quantity	Spare part No	Description	Kit	Notes	New
1	1	..13-1982-11	Wheel weight assy		Par/pair	
2	2	9997-1070-12	Screw		70 mm	
3	2	9699-0035-02	Flat washer			
10	1	..13-1938-11	Adapter assy			
11	2	1134-2675-01	Sleeve			
12	2	1134-2676-01	Screw			
13	2	9743-3721-32	Nut			
14	2	9997-1011-02	Screw		110 mm	
20		..13-1956-11	Snow chains assy		Park	
21	2	1134-1363-01	Chain lock			
22	2	1134-2743-01	Chain link			
30A		..13-1920-11	Tire chains assy		Villa (16 x 6.50 -	
30B		..13-1947-11	Snow chains assy		Villa (16 x 7.50 -	
31	2	1134-1363-01	Chain lock			

test