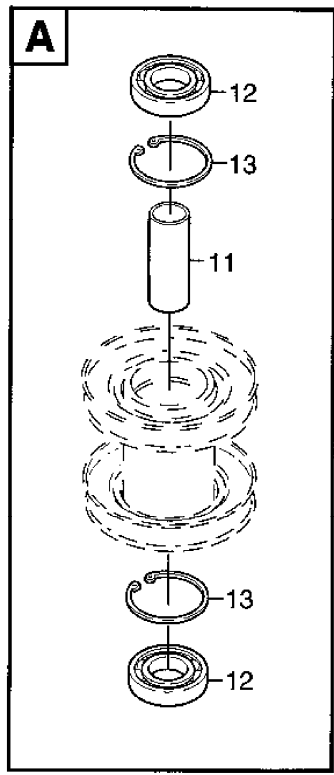


Fast



Section: VILLA POWER TAKE-OFF

Pos.	Quantity	Spare part No	Description	Kit	Notes	New
	2721					
	2722					
	2723					
	2724					
1	1	1134-4672-01	Electric PTO-clutch			
2	1	1134-4679-01	Strut			
3	1	9959-0820-16	Screw			
4	1	1134-4538-01	Tension roller brkt			
5	1	1134-3053-01	Tension roller			
6	1	9699-0056-02	Flat washer			
7	1	9959-0820-16	Screw			
8	1	1134-4650-01	Pulley bracket			
9	2	9945-0816-16	Screw			
10	1	1134-4643-01	Intermediate pulley			
11	1	1134-0051-12	.Spacer			
12	2	9549-0019-00	.Ball bearing			
13	2	9651-0040-04	.Retaining ring			
14	2	1134-0052-00	Bearing spacer			
15	1	9997-1040-16	Screw			
16	1	9699-0035-02	Flat washer			
17	1	1134-9066-01	Drive belt		= 9585-0125-01	
18	1	1134-4649-01	Tension arm			
19	1	1134-9027-01	Tension roller			
20	1	1134-4619-01	Spacer			
21	1	9997-1060-12	Screw			
22	1	9739-1031-22	Nut			
23	1	1134-1842-01	Holder			
24	1	9997-0645-12	Screw			
25	1	9747-0631-02	Lock nut			
26	1	1134-4619-01	Spacer			
27	1	9997-1040-16	Screw			
28	1	9699-0035-02	Flat washer			
29	1	9739-1031-22	Nut			
30	1	1134-4708-01	Bracket			
31	2	9959-0820-16	Screw			
32	2	9739-0831-22	Nut			
33	1	1134-4441-01	Link			
34	1	9959-0820-16	Screw			
35	1	9739-0831-22	Nut			
36	1	1131-1507-00	Spring			
37	1	9739-0831-22	Nut			