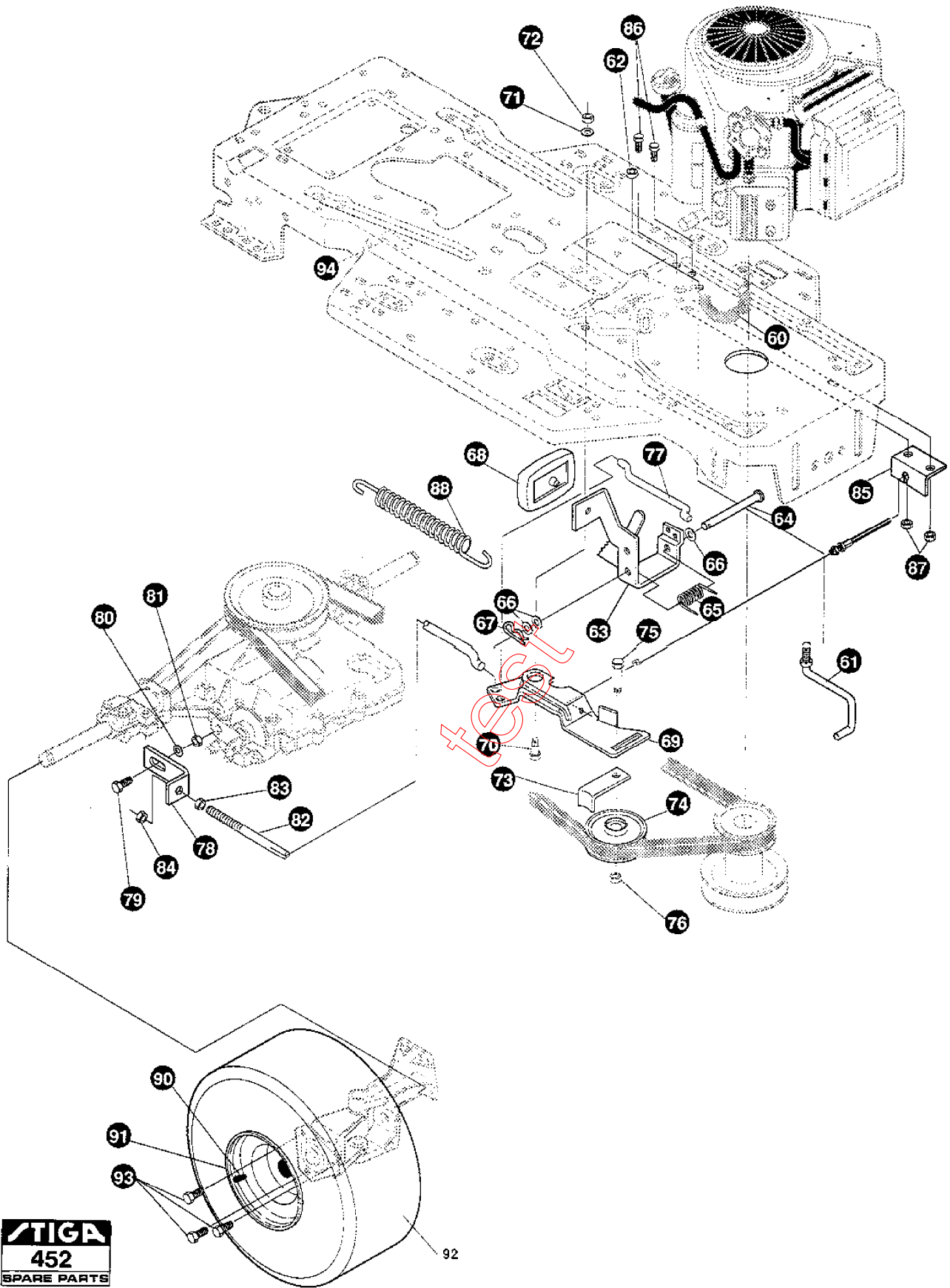


**STIGA**  
451  
SPARE PARTS

## Section: 12/39 4WS MOTION DRIVE

| Pos. | Quantity | Spare part No | Description        | Kit | Notes         | New |
|------|----------|---------------|--------------------|-----|---------------|-----|
|      | 8713     |               |                    |     |               |     |
| 1    | 1        | 1133-0556-01  | Transaxle          |     | Foote 4360-29 |     |
| 2    | 1        | 1133-0491-01  | Belt pulley        |     |               |     |
| 3    | 1        | 9600-0050-00  | Key                |     |               |     |
| 4    | 1        | 9650-0016-04  | Lock ring          |     |               |     |
| 5    | 1        | 1133-0554-01  | V-belt             |     | L = 87.25"    |     |
| 6    | 4        | 9988-3664-12  | Screw              |     |               |     |
| 7    | 8        | 9699-0028-02  | Flat washer        |     |               |     |
| 8    | 4        | 9743-3621-32  | Nut                |     |               |     |
| 9    | 1        | 1133-0628-01  | Stabilizer bracket |     |               |     |
| 10   | 1        | 1133-0057-01  | Screw              |     |               |     |
| 11   | 1        | 9683-0030-02  | Lock washer        |     |               |     |
| 12   | 1        | 9988-3625-16  | Screw              |     |               |     |
| 13   | 1        | 9699-0028-02  | Flat washer        |     |               |     |
| 14   | 1        | 9743-3621-32  | Nut                |     |               |     |
| 15   | 1        | 1133-0558-01  | Belt guide         |     |               |     |
| 16   | 1        | 9683-0030-02  | Lock washer        |     |               |     |
| 17   | 1        | 9743-3621-32  | Nut                |     |               |     |
| 18   | 1        | 9988-3619-16  | Screw              |     |               |     |
| 19   | 1        | 9683-0030-02  | Lock washer        |     |               |     |
| 20   | 1        | 9743-3621-32  | Nut                |     |               |     |
| 21   | 1        | 1133-0679-01  | Shift lever        |     |               |     |
| 22   | 1        | 1133-0516-01  | Clip               |     |               |     |
| 23   | 1        | 9988-3619-16  | Screw              |     |               |     |
| 24   | 1        | 9699-0030-02  | Flat washer        |     |               |     |
| 25   | 1        | 9743-3621-32  | Nut                |     |               |     |
| 26   | 1        | 1133-0516-01  | Clip               |     |               |     |
| 27   | 1        | 1133-0208-01  | Belt guide         |     |               |     |
| 28   | 1        | 9699-0030-02  | Flat washer        |     |               |     |
| 29   | 1        | 9743-3621-32  | Nut                |     |               |     |
| 30   | 1        | 1133-0683-01  | Shift lever        |     |               |     |
| 31   | 1        | 1133-0686-01  | Bolt               |     |               |     |
| 32   | 1        | 9743-3521-32  | Nut                |     |               |     |
| 33   | 1        | 9599-0070-02  | Split pin          |     |               |     |
| 34   | 1        | 9795-3731-02  | Nut                |     |               |     |
| 35   | 1        | 1133-0650-01  | Handle             |     |               |     |
| 36   | 1        | 1133-0677-01  | Shifter rod        |     |               |     |
| 37   | 1        | 9988-3732-12  | Screw              |     |               |     |
| 38   | 1        | 9683-0035-02  | Lock washer        |     |               |     |
| 39   | 1        | 9743-3721-32  | Nut                |     |               |     |
| 40   | 1        | 1133-0509-01  | Shift bracket      |     |               |     |
| 41   | 1        | 9988-3732-12  | Screw              |     |               |     |
| 42   | 2        | 9699-0035-02  | Flat washer        |     |               |     |
| 43   | 1        | 9743-3721-32  | Nut                |     |               |     |
| 44   | 1        | 9699-0060-02  | Flat washer        |     |               |     |
| 45   | 1        | 9987-5016-16  | Screw              |     |               |     |
| 46   | 1        | 1133-0681-01  | Shift quadrant     |     |               |     |
| 47   | 4        | 1133-0649-01  | Screw              |     |               |     |
| 48   | 4        | 9743-3521-32  | Nut                |     |               |     |
| 49   | 1        | 1133-0698-01  | Frame bracket      |     |               |     |
| 50   | 1        | 9988-3525-16  | Screw              |     |               |     |
| 51   | 1        | 9899-3516-16  | Screw              |     |               |     |
| 52   | 1        | 1133-0676-01  | Spacer             |     |               |     |
| 53   | 2        | 9743-3521-32  | Nut                |     |               |     |
| 54   | 1        | 9699-0026-02  | Flat washer        |     |               |     |
| 55   | 1        | 1133-0680-01  | Cable              |     |               |     |
| 56   | 1        | 1133-0220-01  | Wire tie           |     |               |     |
| 57   | 1        | 1133-0673-01  | Memory spring      |     |               |     |



**STIGA**  
452  
SPARE PARTS

## Section: 12/39 4WS MOTION DRIVE

| Pos. | Quantity | Spare part No | Description   | Kit | Notes        | New |
|------|----------|---------------|---------------|-----|--------------|-----|
|      | 8713     |               |               |     |              |     |
| 60   | 1        | 1133-0621-01  | Spring        |     |              |     |
| 61   | 1        | 1133-0605-01  | Belt guide    |     |              |     |
| 62   | 1        | 9743-3621-32  | Nut           |     |              |     |
| 63   | 1        | 1133-0286-01  | Brake pedal   |     |              |     |
| 64   | 1        | 1133-0612-01  | Clevis pin    |     |              |     |
| 65   | 1        | 1133-0240-01  | Return spring |     |              |     |
| 66   | 3        | 1133-0010-01  | Flat washer   |     |              |     |
| 67   | 1        | 9598-0002-02  | Pin lock      |     |              |     |
| 68   | 1        | 1133-0090-01  | Pedal pad     |     |              |     |
| 69   | 1        | 1133-0682-01  | Idler arm     |     |              |     |
| 70   | 1        | 1133-0302-01  | Shoulder bolt |     |              |     |
| 71   | 1        | 9699-0078-02  | Washer        |     |              |     |
| 72   | 1        | 9743-3621-32  | Nut           |     |              |     |
| 73   | 1        | 1133-0063-01  | Belt retainer |     |              |     |
| 74   | 1        | 1133-0470-01  | Idler pulley  |     |              |     |
| 75   | 1        | 1133-0084-01  | Carriage bolt |     |              |     |
| 76   | 1        | 9743-3721-32  | Nut           |     |              |     |
| 77   | 1        | 1133-0202-01  | Clutch rod    |     |              |     |
| 78   | 1        | 1133-0206-01  | Bracket       |     |              |     |
| 79   | 1        | 1133-0045-01  | Shoulder bolt |     |              |     |
| 80   | 1        | 9699-0078-02  | Washer        |     |              |     |
| 81   | 1        | 9743-3621-32  | Nut           |     |              |     |
| 82   | 1        | 1133-0548-01  | Brake rod     |     |              |     |
| 83   | 1        | 9795-3631-02  | Nut           |     |              |     |
| 84   | 1        | 9743-3621-32  | Nut           |     |              |     |
| 85   | 1        | 1133-0698-01  | Frame bracket |     |              |     |
| 86   | 2        | 9988-3516-16  | Screw         |     |              |     |
| 87   | 2        | 9743-3521-32  | Nut           |     |              |     |
| 88   | 1        | 1133-0706-01  | Clutch spring |     |              |     |
| 90   | 2        | 9545-0500-00  | Valve         |     |              |     |
| 91   | 2        | 1133-0579-01  | Wheel rim     |     |              |     |
| 92   | 2        | 1133-0544-01  | Tire          |     | 21 x 10.00-8 |     |
| 93   | 6        | 9987-5419-16  | Screw         |     |              |     |