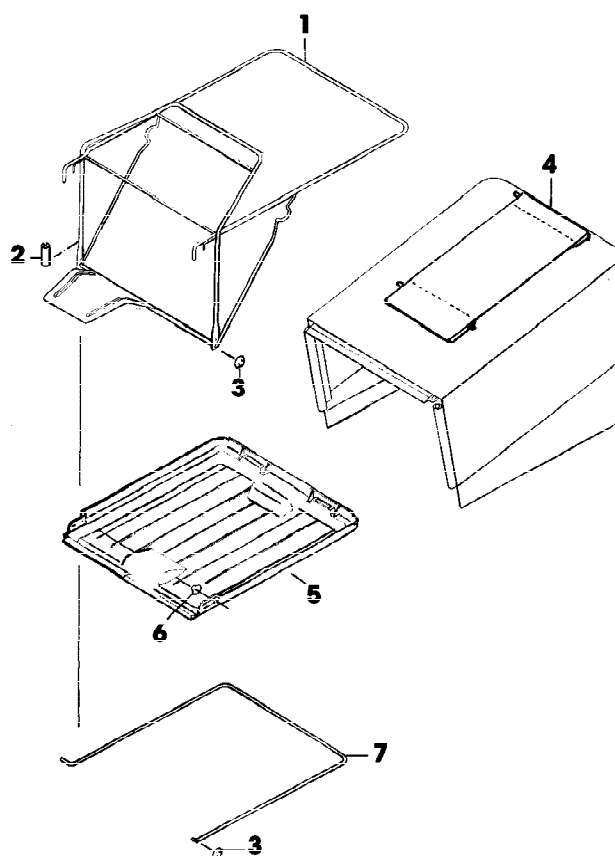
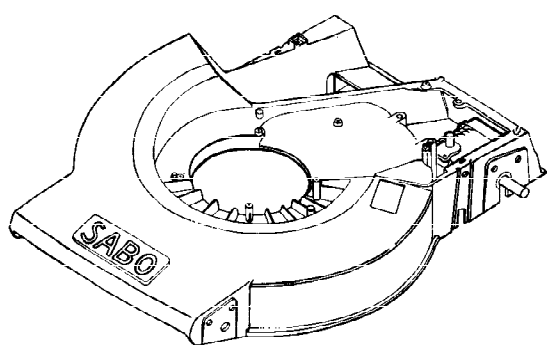
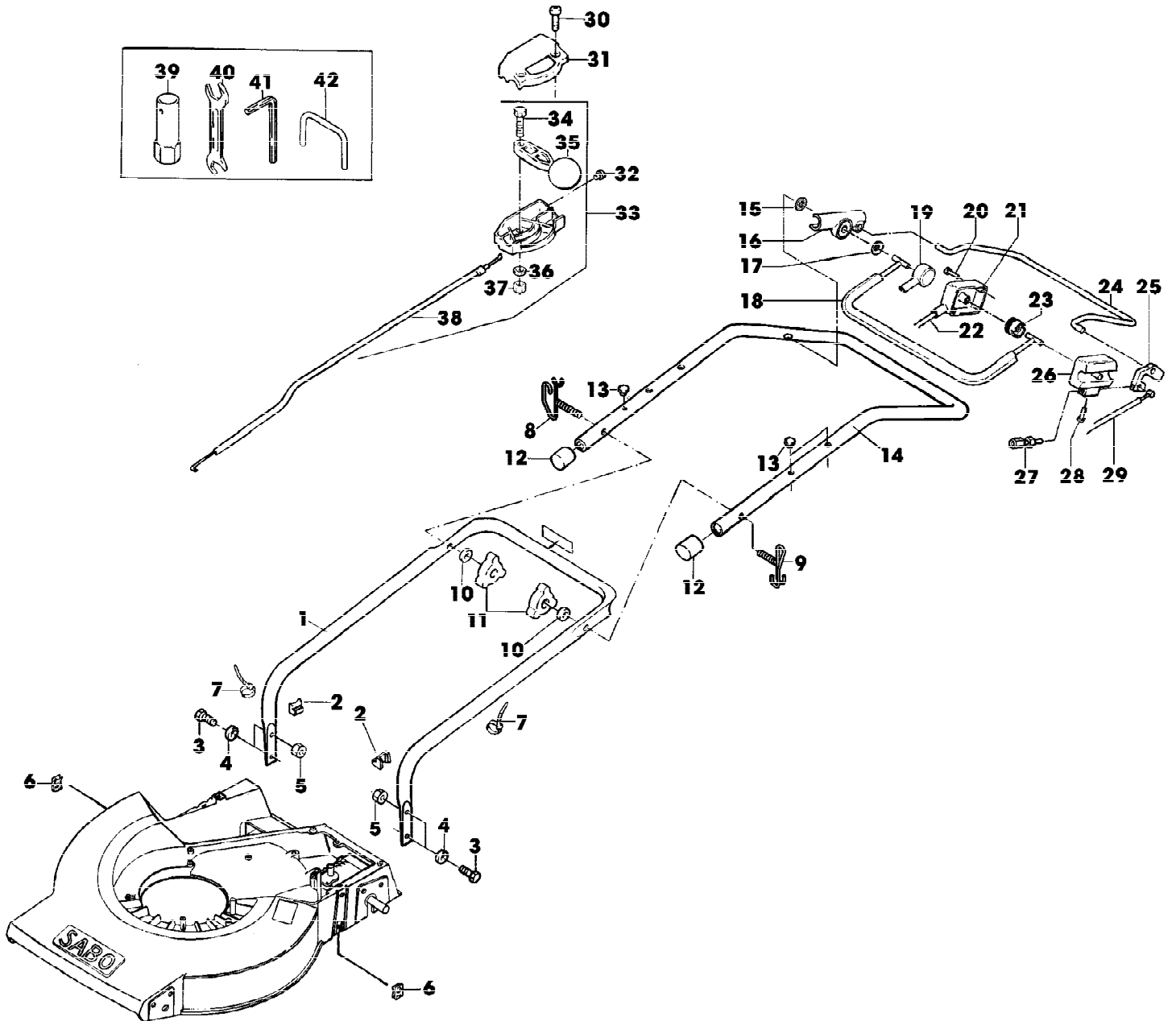


| Preisnummer | Artikelnummer | Menge | Description |
|-------------|---------------|-------|-------------|
| 1 | SA34135 | 1 | AUFKLEBER |
| 2 | SA34669 | 1 | AUFKLEBER |



| Reihennummer | Artikelnummer | Menge | Description |
|--------------|---------------|-------|--|
| 1 | SA29764 | 1 | RAHMEN |
| 2 | SA16169 | 2 | DICHTSTREIFEN (A) |
| 3 | SA29724 | 4 | FEDERKLEMME |
| 4 | SA29746 | 1 | GRASFANGBEHAELTER |
| 5 | SA29777 | 1 | BODEN |
| 6 | SA18796 | 4 | FEDERMUTTER |
| 7 | SA29729 | 1 | BUEGEL |
| | | | (A) WERDEN NUR NOCH IN PACKMENGEN GELIEFERT |

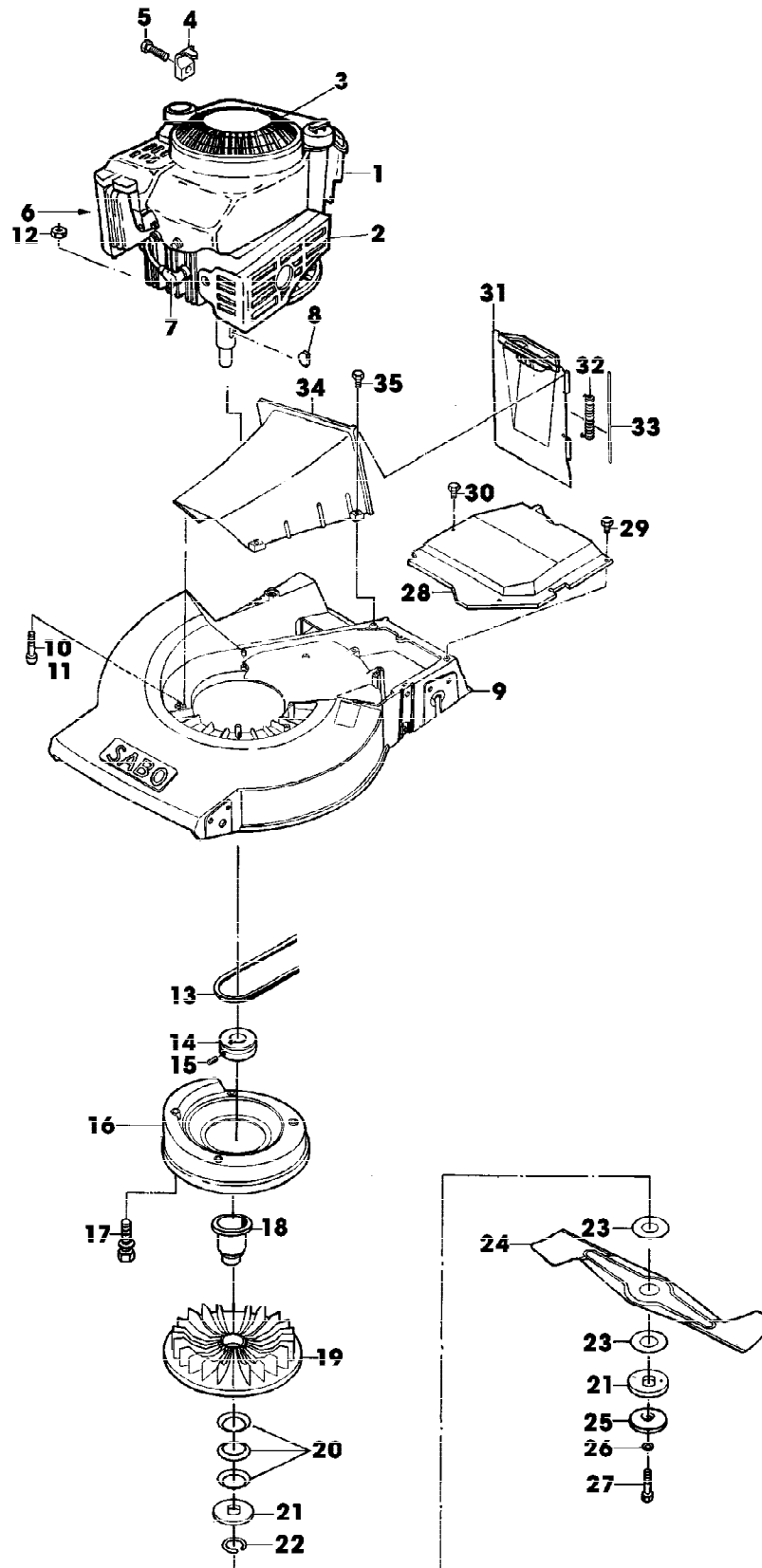


| Reihennummer | Artikelnummer | Menge | Description |
|--------------|---------------|-------|------------------------------|
| 1 | SA34804 | 1 | LENKSTANGE LOW |
| 2 | SA29801 | 2 | HALTER * (A) |
| 3 | SA15331 | 4 | SECHSKANTSCHRAUBE M8X20 |
| 4 | SA15203 | 4 | UNTERLEGSCHIEBE (A) A8,4 |
| 5 | SA11998 | 2 | SICHERUNGSMUTTER (A) M8 |
| 6 | SA29744 | 2 | MUTTER (A) M8 |
| 7 | SA12505 | 2 | KABELBINDER |
| 8 | SA35437 | 1 | FUEHRUNG |
| 9 | SA35200 | 1 | FUEHRUNG |
| 10 | SA30444 | 2 | SCHEIBE |
| 11 | SA29799 | 2 | MUTTER |
| 12 | SA34255 | 2 | STOPFEN |
| 13 | SA34099 | 3 | STOPFEN |
| 14 | SA34665 | 1 | LENKSTANGE UP |
| 15 | SA34247 | 1 | RING |
| 16 | SA34662 | 1 | LAGER RH |
| 17 | SA34089 | 1 | SCHEIBE |
| 18 | SA34013 | 1 | BUEGEL (B) |
| 19 | SA33951 | 1 | ABDECKUNG RH |
| 20 | SA31423 | 2 | SCHRAUBE * KB 35X20 |
| 21 | SA33952 | 1 | GEHAEUSE * |
| 22 | SA34505 | 1 | SEILZUG (B) |
| 23 | SA33955 | 1 | ROLLE |
| 24 | SA34014 | 1 | BUEGEL (C) |
| 25 | SA34787 | 1 | KABELHALTER |
| 26 | SA34661 | 1 | GEHAEUSE * |
| 27 | SA34098 | 1 | STELLSCHRAUBE |
| 28 | SA33975 | 2 | SCHRAUBE * KB 40X35 |
| 29 | SA34803 | 1 | SEILZUG (C) |
| 30 | SA16268 | 2 | SCHRAUBE * 4,2X32 |
| 31 | SA31188 | 1 | GEHAEUSE * UP |
| 32 | SA31709 | 1 | STOPFEN |
| 33 | SA17375 | 1 | STEUERUNG ASSY, LOW |
| 34 | SA15325 | 1 | SECHSKANTSCHRAUBE M6X30 |
| 35 | SA12768 | 1 | HEBEL |
| 36 | SA15202 | 1 | UNTERLEGSCHIEBE (A) 6,4 |
| 37 | SA11244 | 1 | SICHERUNGSMUTTER (A) M6 |
| 38 | SA17374 | 1 | SEILZUG |
| 39 | SA11864 | 1 | SCHLUESSEL SW 21 |
| 40 | SA18311 | 1 | MAUL-RINGSCHLUESSEL SW 10/13 |
| 41 | SA18332 | 1 | MAUL-RINGSCHLUESSEL 5/16 |
| 42 | SA11119 | 1 | OESE |

(A) WERDEN NUR NOCH IN PACKMENGEN
 GELIEFERT

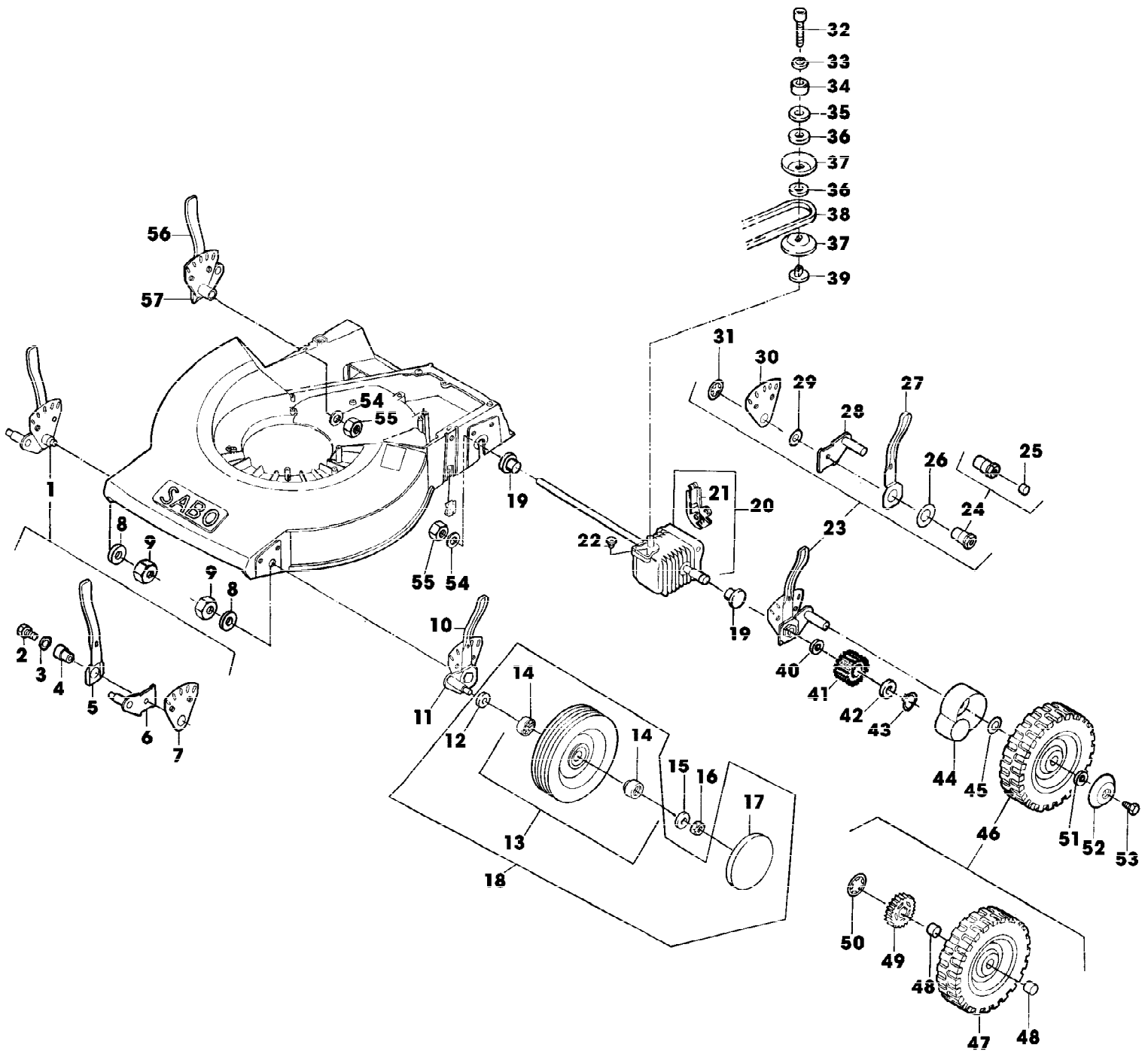
(B) FUER MOTORBREMSE

(C) FUER FAHRANTRIEB



SA000715

| Reihennummer | Artikelnummer | Menge | Description |
|--------------|---------------|-------|--|
| 1 | SA26797 | 1 | BENZINMOTOR B&S QUANTUM 5,0 HP OR B&S QUANTUM XM50 MODEL 12F802; TYP 0637-01 |
| 2 | SA16541 | 1 | GITTER |
| 3 | SA26600 | 1 | ABDECKUNG |
| 4 | SA26799 | 1 | KLEMME |
| 5 | SA26798 | 1 | SCHRAUBE * |
| 6 | SA26547 | 1 | FILTEREINSATZ |
| 7 | SA16815 | 1 | ZUENDKERZE |
| 8 | SA15967 | 2 | KEIL * 4X6,5 |
| 9 | SA29750 | 1 | GEHAEUSE * |
| 10 | SA15592 | 2 | SCHRAUBE * M8X35 |
| 11 | SA30598 | 1 | SCHRAUBE * M8X60 |
| 12 | SA11998 | 3 | SICHERUNGSMUTTER (A) M8 |
| 13 | SA36130 | 1 | KEILRIEMEN |
| 14 | SA36208 | 1 | RIEMENSCHLEIFE |
| 15 | SA15776 | 1 | STELLSCHRAUBE M6X16 |
| 16 | SA36683 | 1 | LUEFTERHAUBE (SUB FOR SA29785) |
| 17 | SA29854 | 4 | SCHRAUBE * M5X12 |
| 18 | SA29820 | 1 | FLANSCH |
| 19 | SA17149 | 1 | LUEFTER |
| 20 | SA15179 | 3 | TELLERFEDER |
| 21 | SA29788 | 2 | DRUCKSCHEIBE |
| 22 | SA30850 | 1 | SPRENGRING 32X1,25 |
| 23 | SA11144 | 2 | BELAG |
| 24 | SA17208 | 1 | MESSER |
| 25 | SA29787 | 1 | SCHEIBE |
| 26 | SA15234 | 1 | FEDERRING (A) A10 |
| 27 | SA11903 | 1 | SCHRAUBE * |
| 28 | SA29804 | 1 | ABDECKUNG |
| 29 | SA29854 | 1 | SCHRAUBE * M5X12 |
| 30 | SA17604 | 2 | SCHRAUBE * M5X10 |
| 31 | SA34613 | 1 | KLAPPE |
| 32 | SA29783 | 1 | FEDER |
| 33 | SA29782 | 1 | STANGE * |
| 34 | SA29757 | 1 | ROHR * |
| 35 | SA29784 | 3 | SCHRAUBE * (A) WERDEN NUR NOCH IN PACKMENGEN GELIEFERT |



SA000725

| Reihennummer | Artikelnummer | Menge | Description |
|--------------|---------------|-------|---|
| 1 | SA29751 | 1 | HEBEL ASSY FRONT RH, INCL KEYS 2,3,4,5,6,7 |
| 2 | SA15375 | 1 | SECHSKANTSCHRAUBE M10X40 |
| 3 | SA15220 | 1 | UNTERLEGSCHLEIBE (A) A10,5 |
| 4 | SA17209 | 1 | BOLZEN |
| 5 | SA29767 | 1 | HEBEL |
| 6 | SA29779 | 1 | ACHSSCHENKEL FRONT RH |
| 7 | SA12226 | 1 | SEGMENT |
| 8 | SA18853 | 2 | SCHEIBE |
| 9 | SA15694 | 2 | SICHERUNGSMUTTER M10 |
| 10 | SA29752 | 1 | HEBEL ASSY FRONT LH, INCL KEYS 2,3,4,5,7,11 |
| 11 | SA29802 | 1 | ACHSSCHENKEL FRONT LH |
| 12 | SA35229 | 2 | SCHEIBE |
| 13 | SA34392 | 2 | RAD KPL. MIT BEREIFUNG (ORD SA35403) FRONT 180 MM |
| 14 | SA33229 | 4 | KUGELLAGER |
| 15 | SA15213 | 2 | UNTERLEGSCHLEIBE (A) A8,4 |
| 16 | SA11998 | 2 | SICHERUNGSMUTTER (A) M8 |
| 17 | SA36555 | 2 | DECKEL (SUB FOR SA33231) |
| 18 | SA35403 | 2 | RAD 180MM ASSY FRONT |
| 19 | SA30314 | 2 | KAPPE |
| 20 | SA30446 | 1 | GETRIEBE |
| 21 | SA17699 | 1 | GANGSCHALTHEBEL |
| 22 | SA32011 | 1 | INNENSECHSKANTSCHRAUBE M6X16 |
| 23 | SA29753 | 1 | HEBEL ASSY REAR LH INCL KEYS 24,25,26,27,28,29,30,31 |
| 24 | SA29755 | 1 | BOLZEN |
| 25 | SA17726 | 1 | BUECHSE |
| 26 | SA30913 | 1 | SCHEIBE |
| 27 | SA29767 | 1 | HEBEL |
| 28 | SA29790 | 1 | ACHSSCHENKEL REAR LH |
| 29 | SA12230 | 1 | SCHEIBE |
| 30 | SA12226 | 1 | SEGMENT |
| 31 | SA12227 | 1 | FEDERKLEMME (A) |
| 32 | SA15325 | 1 | SECHSKANTSCHRAUBE M6X30 |
| 33 | SA15232 | 1 | FEDERRING (A) A6 |
| 34 | SA17731 | 1 | SCHEIBE |
| 35 | SA17733 | 1 | SCHEIBE |
| 36 | SA17732 | 2 | SCHEIBE |
| 37 | SA17730 | 2 | RILLENSCHLEIBENHAELFTE |
| 38 | SA36130 | 1 | KEILRIEMEN |
| 39 | SA30436 | 1 | FLANSCH |
| 40 | SA13911 | 2 | FEDERSCHLEIBE (A) |
| 41 | SA34504 | 1 | RITZEL LH |
| | SA34503 | 1 | RITZEL RH |
| 42 | SA13912 | 2 | SCHEIBE (A) |
| 43 | SA15864 | 2 | SPRENGRING 14X1 |
| 44 | SA29781 | 2 | ABDECKUNG |
| 45 | SA13926 | 2 | SCHEIBE |

| Preferenznummer | Artikelnummer | Menge | Description |
|-----------------|---------------|-------|--|
| 46 | SA36584 | 2 | RAD KPL. MIT BEREIFUNG ASSY, REAR (SUB FOR SA29769) |
| 47 | SA17694 | 2 | REIFEN * |
| 48 | SA12247 | 4 | HUELSE |
| 49 | SA29747 | 2 | RITZEL |
| 50 | SA13922 | 2 | FEDERMUTTER (A) |
| 51 | SA15251 | 2 | FEDERSCHEIBE B6 |
| 52 | SA12248 | 2 | SCHEIBE (SUB FOR SA34409) |
| 53 | SA15364 | 2 | SECHSKANTSCHRAUBE M6X12 |
| 54 | SA15256 | 2 | FEDERSCHEIBE B20 |
| 55 | SA15431 | 2 | MUTTER BM 20X1,5 |
| 56 | SA29754 | 1 | HEBEL ASSY REAR RH INCL KEYS 24,25,26,27,29,30,31,57 |
| 57 | SA29791 | 1 | ACHSSCHENKEL REAR RH (A) WERDEN NUR NOCH IN PACKMENGEN GELIEFERT |