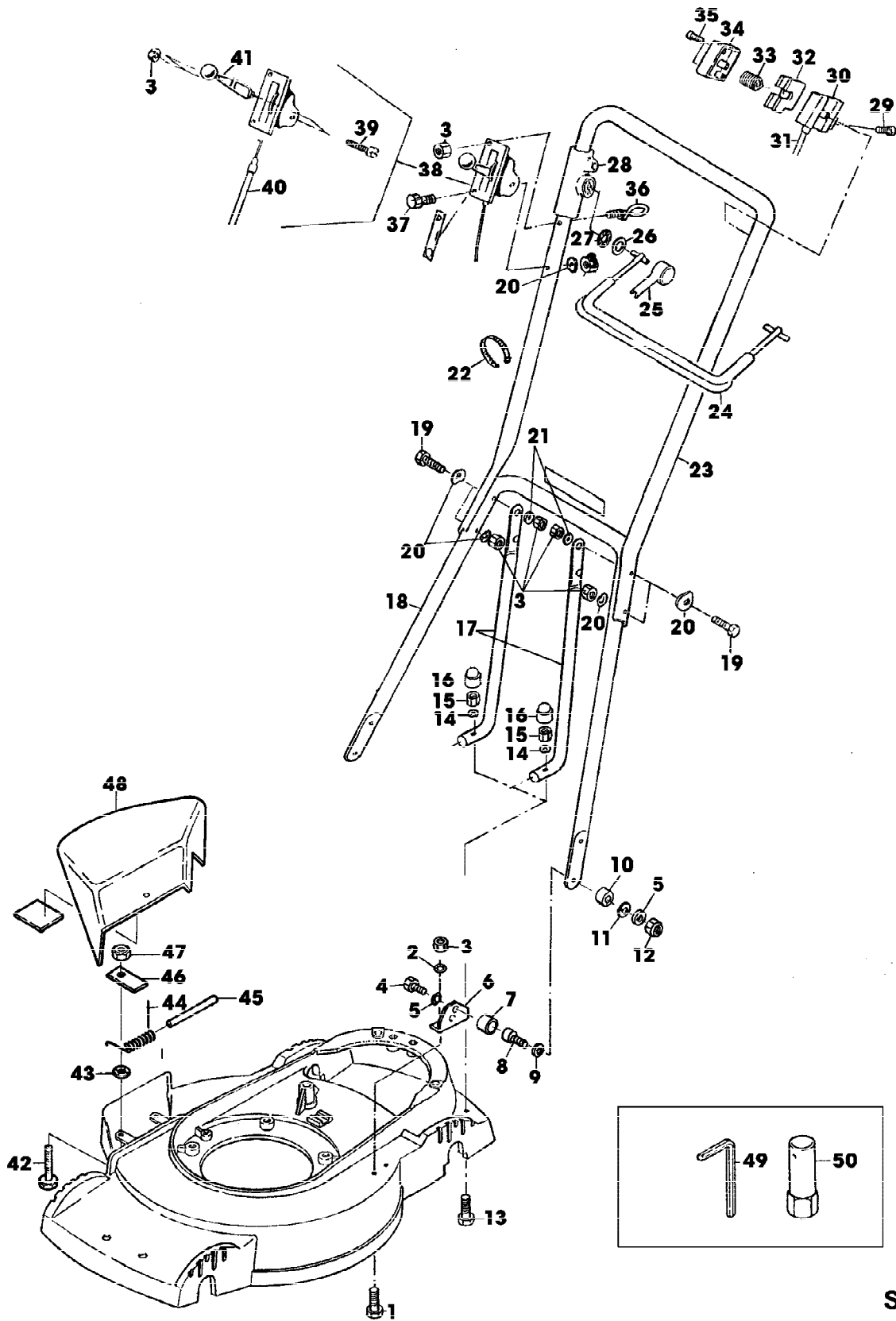




| Reihennummer | Artikelnummer | Menge | Description |
|--------------|---------------|-------|-------------|
| 1 | SA34425 | 1 | AUFKLEBER |
| 2 | SA34426 | 1 | AUFKLEBER |
| 3 | SA34669 | 1 | AUFKLEBER |

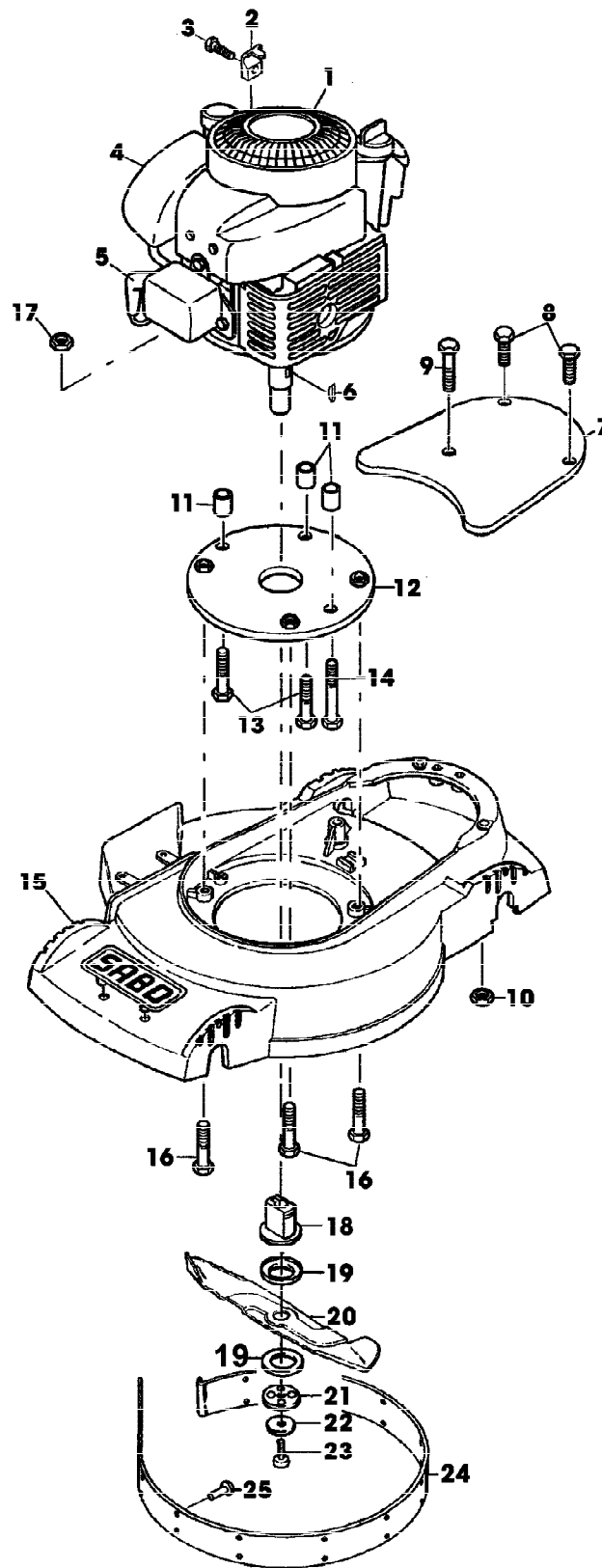


SA000566

FUEHRUNGSHOLM, STARTER, SCHALTUNG, PRALLSCHUTZ

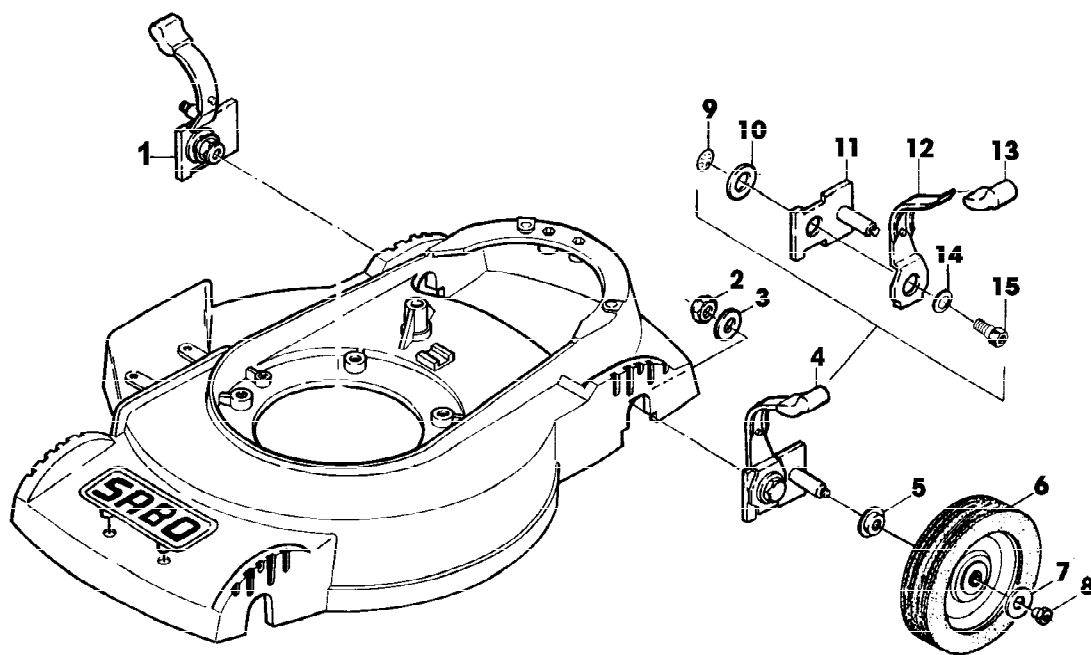
| Reihennummer | Artikelnummer | Menge | Description |
|--------------|---------------|-------|---|
| 1 | SA15630 | 4 | SCHRAUBE * M6X16 |
| 2 | SA15202 | 4 | UNTERLEGSCHEIBE 6,4 |
| 3 | SA11244 | 11 | SICHERUNGSMUTTER (B) M6 |
| 4 | SA15360 | 2 | SECHSKANTSCHRAUBE M8X12 |
| 5 | SA15233 | 4 | FEDERRING A8 |
| 6 | SA35235 | 2 | HALTER * |
| 7 | SA34922 | 2 | KAPPE |
| 8 | SA34923 | 2 | PUFFER |
| 9 | SA12939 | 2 | SCHEIBE |
| 10 | SA12532 | 2 | HUELSE |
| 11 | SA15203 | 2 | UNTERLEGSCHEIBE (B) A8,4 |
| 12 | SA15413 | 2 | MUTTER M8 |
| 13 | SA30443 | 2 | SCHRAUBE * M8X40 |
| 14 | SA30444 | 2 | SCHEIBE |
| 15 | 14M7327 | 2 | SICHERUNGSMUTTER (B) M8 (SUB FOR SA11998) |
| 16 | SA34424 | 2 | KAPPE M8 |
| 17 | SA35236 | 2 | HOLM |
| 18 | SA12259 | 1 | FUEHRUNG LOW |
| 19 | SA15302 | 4 | SECHSKANTSCHRAUBE M6X40 |
| 20 | SA11243 | 7 | UNTERLEGSCHEIBE |
| 21 | SA15212 | 2 | UNTERLEGSCHEIBE (B) A6,4 |
| 22 | RA1000652 | 2 | KABELBINDER (SUB FOR SA12505) |
| 23 | SA35482 | 1 | HOLM UP |
| 24 | SA34013 | 1 | BUEGEL (A) |
| 25 | SA33951 | 1 | ABDECKUNG RH |
| 26 | SA34089 | 1 | SCHEIBE |
| 27 | SA34247 | 1 | RING |
| 28 | SA34662 | 1 | LAGER RH |
| 29 | SA31423 | 2 | SCHRAUBE * KB 35X20 |
| 30 | SA33952 | 1 | GEHAEUSE * |
| 31 | SA34670 | 1 | SEILZUG (A) |
| 32 | SA34921 | 1 | EINSATZ NSEP (ORD SA34832) |
| 33 | SA33955 | 1 | ROLLE |
| 34 | SA34832 | 1 | GEHAEUSE * |
| 35 | SA33975 | 2 | SCHRAUBE * KB 40X35 |
| 36 | SA34459 | 1 | GRIFF * |
| 37 | SA15326 | 1 | SECHSKANTSCHRAUBE M6X35 |
| 38 | SA34773 | 1 | STEUERUNG |
| 39 | SA15551 | 1 | SCHRAUBE * (B) M6X20 |
| 40 | SA34772 | 1 | SEILZUG NSEP (ORD SA34773) |
| 41 | SA12768 | 1 | HEBEL |
| 42 | SA34982 | 2 | SECHSKANTSCHRAUBE M6X22 |
| 43 | SA34429 | 2 | SICHERUNGSSCHEIBE 5,3 |
| 44 | SA34354 | 1 | FEDER |
| 45 | SA34370 | 1 | ACHSE |
| 46 | SA34589 | 2 | LASCHE |
| 47 | SA15412 | 2 | MUTTER M6 |
| 48 | SA34371 | 1 | SCHUTZ |
| 49 | SA18332 | 1 | MAUL-RINGSCHLUESSEL 5/16 |
| 50 | SA36090 | 1 | SCHLUESSEL SW 16/17 (SUB FOR SA16186) (A) FUER MOTORBREMSE |

| Preisnummer | Artikelnummer | Menge | Description |
|-------------|---------------|-------|--|
| | | | (B) WERDEN NUR NOCH IN PACKMENGEN GELIEFERT |



SA000559

| Reihennummer | Artikelnummer | Menge | Description |
|--------------|---------------|-------|---|
| 1 | SA26819 | 1 | BENZINMOTOR B&S INTEK, MODEL 121602, TYP 0199 E1 |
| 2 | LG690498 | 1 | FEDER (SUB FOR SA26799) |
| 3 | LG691044 | 1 | SCHRAUBE * (SUB FOR SA26798) |
| 4 | M143275 | 1 | LUFTFILTEREINSATZ PAPER (SUB FOR SA32668) |
| | M143278 | 1 | LUFTFILTEREINSATZ (SUB FOR SA32667) |
| 5 | SA26589 | 1 | ZUENDKERZE |
| 6 | 26H74 | 1 | KEIL * 4,77X6 (SUB FOR SA26554) |
| 7 | SA35395 | 1 | ABDECKUNG |
| 8 | SA15332 | 2 | SECHSKANTSCHRAUBE M8X25 |
| 9 | SA15308 | 1 | SECHSKANTSCHRAUBE M8X50 |
| 10 | 14M7327 | 3 | SICHERUNGSMUTTER (A) M8 (SUB FOR SA11998) |
| 11 | SA35396 | 3 | BUECHSE |
| 12 | SA35394 | 1 | FLANSCH |
| 13 | SA15308 | 2 | SECHSKANTSCHRAUBE M8X50 |
| 14 | SA15366 | 1 | SECHSKANTSCHRAUBE M8X80 |
| 15 | SA35563 | 1 | GEHAEUSE * |
| 16 | SA15336 | 3 | SECHSKANTSCHRAUBE M8X40 |
| 17 | 14M7327 | 1 | SICHERUNGSMUTTER (A) M8 (SUB FOR SA11998) |
| 18 | SA35525 | 1 | FLANSCH |
| 19 | SA34368 | 2 | SCHEIBE |
| 20 | SA31214 | 1 | MAEHBALKEN |
| 21 | SA35170 | 1 | SCHEIBE |
| 22 | SA34499 | 1 | SCHEIBE |
| 23 | SA11866 | 1 | SCHRAUBE * NF3/8X44,45 |
| 24 | SA34747 | 1 | SICHERUNGSBLECH |
| 25 | SA11019 | 16 | NIET (A) WERDEN NUR NOCH IN PACKMENGEN GELIEFERT |



| Reihennummer | Artikelnummer | Menge | Description |
|--------------|---------------|-------|--|
| 1 | SA34835 | 2 | HEBEL ASSY, FRONT LH, REAR RH, INCL KEYS 9, 10, 11, 12, 13, 14, 15 |
| 2 | SA15431 | 4 | MUTTER BM 20X1,5 |
| 3 | SA15256 | 4 | FEDERSCHEIBE B20 |
| 4 | SA34836 | 2 | HEBEL ASSY, FRONT RH, REAR LH, INCL KEYS 9, 10, 11, 12, 13, 14, 15 |
| 5 | SA12623 | 4 | KAPPE |
| 6 | SA13851 | 4 | RAD |
| 7 | SA31248 | 4 | SCHEIBE |
| 8 | SA12624 | 4 | MUTTER |
| 9 | SA12227 | 2 | FEDERKLEMME (A) |
| 10 | SA34365 | 4 | SCHEIBE |
| 11 | SA34379 | 2 | ACHSSCHENKEL |
| 12 | SA34381 | 2 | HEBEL |
| 13 | SA34380 | 2 | KAPPE |
| 14 | SA12223 | 2 | TELLERFEDER |
| 15 | SA12746 | 2 | BOLZEN (A) WERDEN NUR NOCH IN PACKMENGEN GELIEFERT |