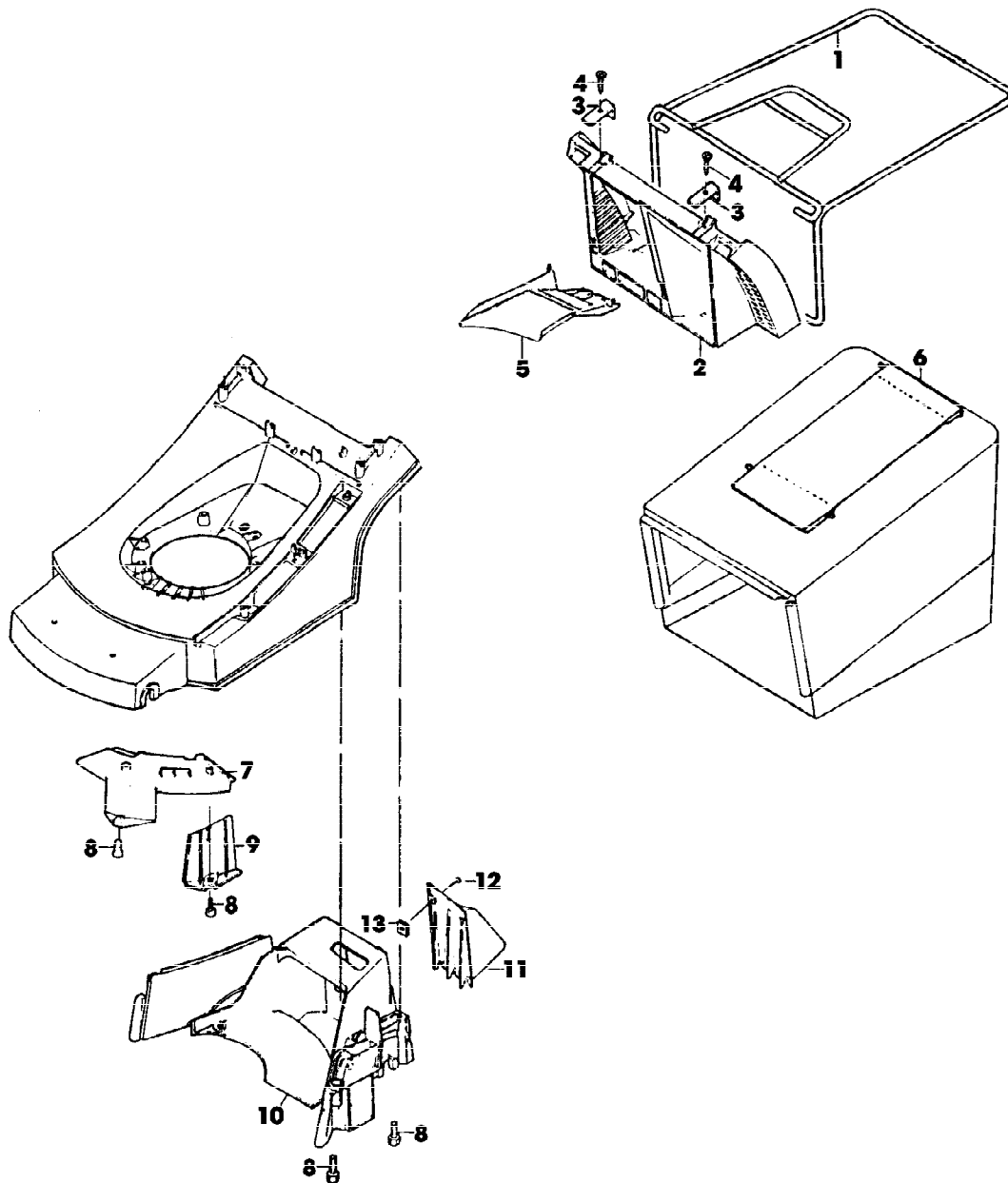
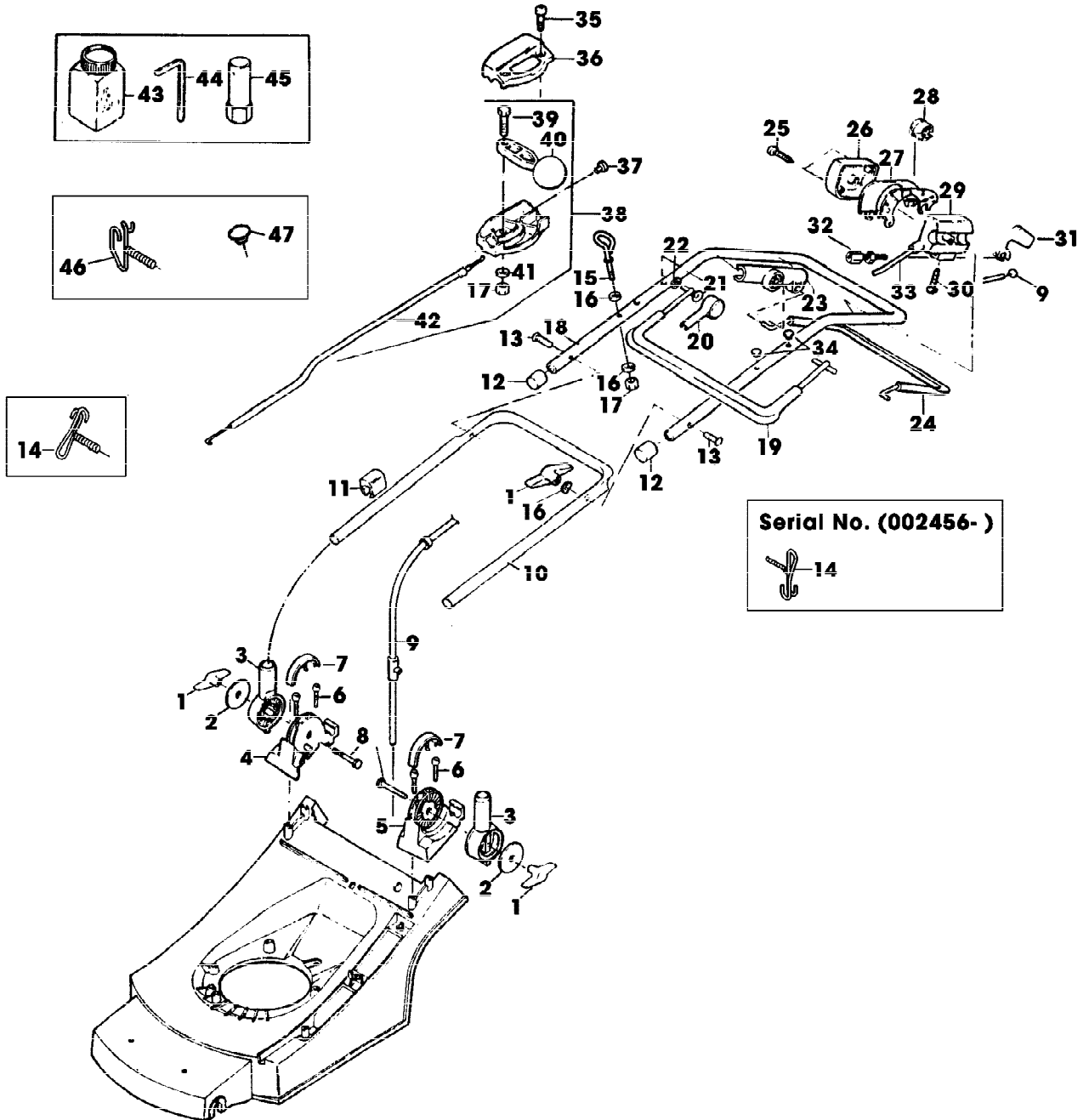


| Reihennummer | Artikelnummer | Menge | Description |
|--------------|---------------|-------|-------------|
| 1 | SA34786 | 1 | AUFKLEBER |
| 2 | SA34669 | 1 | AUFKLEBER |
| 3 | SA34767 | 1 | AUFKLEBER |

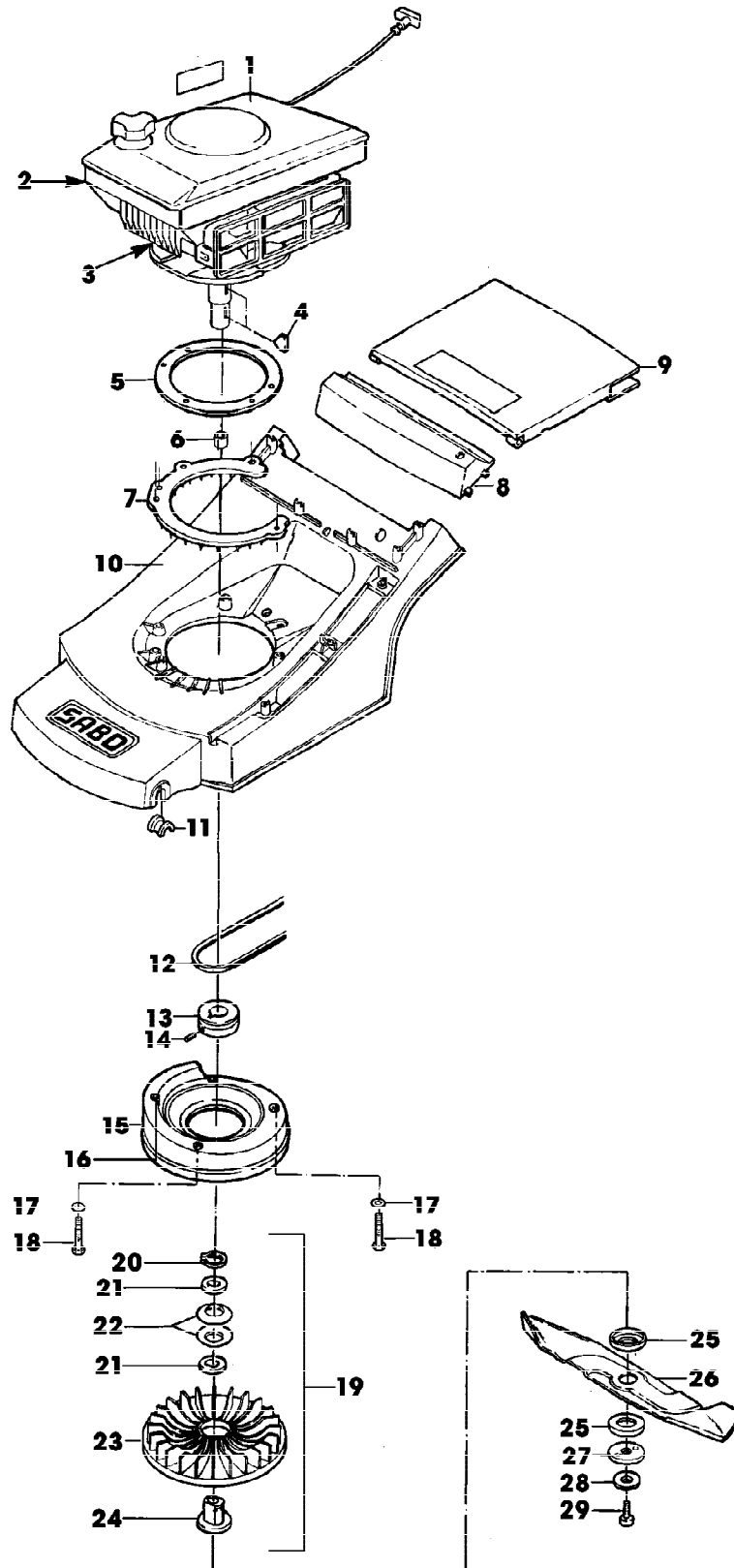


| Reihennummer | Artikelnummer | Menge | Description |
|--------------|---------------|-------|-----------------------------------|
| 1 | SA36451 | 1 | HALTER * (SUB FOR SA34483) |
| 2 | SA34461 | 1 | KLAPPE |
| 3 | SA34617 | 2 | FEDERKLEMME |
| 4 | SA34877 | 2 | SCHRAUBE * 6X16 |
| 5 | SA34458 | 1 | RUTSCHE |
| 6 | SA35494 | 1 | GRASFANGBEHAELTER (SUB FOR 34485) |
| 7 | SA34441 | 1 | ABDECKUNG |
| 8 | SA34452 | 4 | SCHRAUBE * DUO TAPTITE CM 6,0X14 |
| 9 | SA34433 | 1 | EINSATZ |
| 10 | SA34466 | 1 | EINSATZ |
| 11 | SA34444 | 1 | ABDECKUNG |
| 12 | SA15649 | 2 | SCHRAUBE * 3,9X22 |
| 13 | SA16712 | 2 | MUTTER |



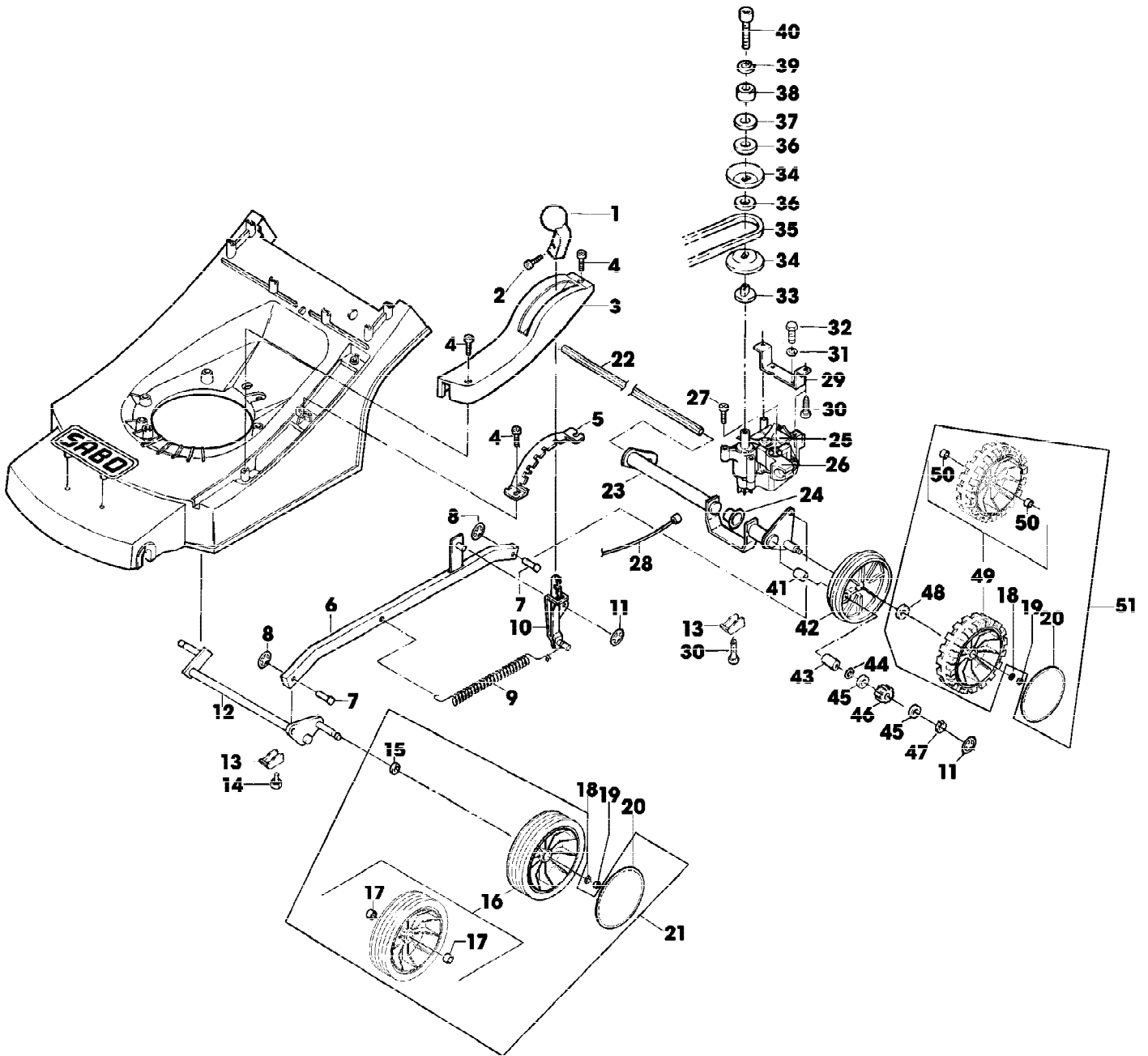
| Reihennummer | Artikelnummer | Menge | Description |
|--------------|---------------|-------|--|
| 1 | SA31121 | 4 | FLUEGELMUTTER (A) |
| 2 | SA34442 | 2 | SCHEIBE |
| 3 | SA34462 | 2 | HALTER * UP |
| 4 | SA34436 | 1 | HALTER * RH |
| 5 | SA34435 | 1 | HALTER * LH |
| 6 | SA34452 | 4 | SCHRAUBE * DUO TAPTITE CM 6,0X14 |
| 7 | SA34489 | 2 | ZUBEHOER ELEKTR. ANSCHLUSS |
| 8 | SA35217 | 2 | SCHWEISSSCHRAUBE |
| 9 | SA34464 | 1 | SEILZUG (C) |
| 10 | SA34463 | 1 | FUEHRUNG LOW |
| 11 | SA34258 | 4 | KLEMME |
| 12 | SA34255 | 2 | STOPFEN |
| 13 | SA15632 | 1 | SCHRAUBE * M6X45 RH (ORD SA35436, SA34099) [-002455] |
| | SA15632 | 1 | SCHRAUBE * M6X45 LH [-002455] |
| 14 | SA35190 | 1 | FUEHRUNG RH (ORD SA35436, SA34099) [002456-] |
| | SA35190 | 1 | FUEHRUNG LH [002456-] |
| 15 | SA34459 | 1 | GRIFF * (ORD SA35436, SA34099) |
| 16 | SA11243 | 4 | UNTERLEGSCHIEBE |
| 17 | SA11244 | 2 | SICHERUNGSMUTTER (A) M6 |
| 18 | SA34663 | 1 | LENKSTANGE UP |
| 19 | SA34660 | 1 | BUEGEL (B) |
| 20 | SA33951 | 1 | ABDECKUNG RH |
| 21 | SA34089 | 1 | SCHEIBE |
| 22 | SA34247 | 1 | RING |
| 23 | SA34662 | 1 | LAGER RH |
| 24 | SA34668 | 1 | BUEGEL (C) |
| 25 | SA31423 | 2 | SCHRAUBE * KB 35X20 |
| 26 | SA33952 | 1 | GEHAEUSE * |
| 27 | SA34921 | 1 | EINSATZ (SUB SA33959) NSEP (ORD SA34661) |
| 28 | SA33955 | 1 | ROLLE |
| 29 | SA34831 | 1 | GEHAEUSE * (INCL KEY SA34921) (SUB FOR SA34661) |
| 30 | SA33975 | 2 | SCHRAUBE * KB 40X35 |
| 31 | SA34787 | 1 | KABELHALTER |
| 32 | SA34098 | 1 | STELLSCHRAUBE |
| 33 | SA34808 | 1 | SEILZUG (B) |
| 34 | SA34099 | 2 | STOPFEN |
| 35 | SA16268 | 2 | SCHRAUBE * 4,2X32 |
| 36 | SA31188 | 1 | GEHAEUSE * UP |
| 37 | SA31709 | 1 | STOPFEN |
| 38 | SA34805 | 1 | STEUERUNG ASSY, LOW |
| 39 | SA15325 | 1 | SECHSKANTSCHRAUBE M6X30 |
| 40 | SA12768 | 1 | HEBEL |
| 41 | SA15202 | 1 | UNTERLEGSCHIEBE 6,4 |
| 42 | SA34506 | 1 | SEILZUG |
| 43 | SA32664 | 1 | OEL 50ML (SUB FOR SA32337) |
| 44 | SA18332 | 1 | MAUL-RINGSCHLUESSEL 5/16 |
| 45 | SA11864 | 1 | SCHLUESSEL SW 21 |

| Preisnummer | Artikelnummer | Menge | Description |
|-------------|---------------|-------|---|
| 46 | SA35436 | 1 | FUEHRUNG |
| 47 | SA34099 | 1 | STOPFEN (A) WERDEN NUR NOCH IN PACKMENGEN GELIEFERT (B) FUER MOTORBREMSE (C) FUER FAHRANTRIEB |



SA000859

| Reihennummer | Artikelnummer | Menge | Description |
|--------------|---------------|-------|---|
| 1 | SA20923 | 1 | BENZINMOTOR SB 135 (SUB FOR SA34704) |
| 2 | SA21863 | 1 | LUFTFILTEREINSATZ |
| 3 | SA21865 | 1 | ZUENDKERZE |
| 4 | SA15964 | 2 | FEDERSCHEIBE 4X5 |
| 5 | SA36239 | 1 | RING (SUB FOR SA35222) |
| 6 | SA12788 | 1 | DISTANZSTUECK |
| 7 | SA34937 | 1 | RING |
| 8 | SA34434 | 1 | ABDECKUNG |
| 9 | SA35441 | 1 | KLAPPE (SUB FOR (SUB FOR SA34455)) |
| 10 | SA34846 | 1 | MAEHGEHAEUSE |
| 11 | SA31711 | 4 | LAGERSCHALE |
| 12 | SA17379 | 1 | KEILRIEMEN |
| 13 | SA34447 | 1 | RIEMENSCHLEIFE |
| 14 | SA15776 | 1 | STELLSCHRAUBE M6X16 |
| 15 | SA34437 | 1 | LUFTVERTEILERGEHAEUSE |
| 16 | SA34610 | 1 | SCHEIBE |
| 17 | SA35201 | 3 | NOCKEN NSEP (ORD SA35223) [-002055] |
| | SA35223 | 3 | NOCKEN [002056-] |
| 18 | SA34844 | 3 | SCHRAUBE * M8X58 (SUB FOR SA15361, SA15309) |
| 19 | SA34635 | 1 | LUEFTER ASSY [-001505] |
| | SA35172 | 1 | LUEFTER ASSY [001506-] |
| 20 | SA15739 | 1 | SPRENGRING 31X1,5 |
| 21 | SA11896 | 2 | UNTERLEGSCHLEIFE |
| 22 | SA15179 | 2 | TELLERFEDER (A) |
| 23 | SA15180 | 1 | LUEFTER |
| 24 | SA34616 | 1 | FLANSCH [-001505] |
| | SA35171 | 1 | FLANSCH [001506-] |
| 25 | SA34368 | 2 | SCHEIBE |
| 26 | SA34454 | 1 | MESSER |
| 27 | SA34357 | 1 | SCHEIBE [-001505] |
| | SA35170 | 1 | SCHEIBE [001506-] |
| 28 | SA34499 | 1 | SCHEIBE |
| 29 | SA34842 | 1 | SCHRAUBE * M10X55 (A) WERDEN NUR NOCH IN PACKMENGEN GELIEFERT |



GETRIEBE, ANTRIEB, VORDER- UND HINTERACHSE

| Reihennummer | Artikelnummer | Menge | Description |
|--------------|---------------|-------|---|
| 1 | SA35086 | 1 | GRIFF * (SUB FOR SA34440) (ORD W/ SA35023) |
| 2 | SA35023 | 1 | SCHRAUBE * EJOT 30X8 (SUB FOR SA34742) |
| 3 | SA34438 | 1 | ABDECKUNG |
| 4 | SA34452 | 3 | SCHRAUBE * DUO TAPTITE CM 6,0X14 |
| 5 | SA36116 | 1 | SEGMENT (SUB FOR SA34449) |
| 6 | SA34476 | 1 | VERBINDUNGSSTANGE |
| 7 | SA17006 | 2 | BOLZEN 6 H11X 13,5 |
| 8 | SA12973 | 2 | FEDERMUTTER (A) D6 |
| 9 | SA34477 | 1 | FEDER |
| 10 | SA34592 | 1 | HEBEL |
| 11 | SA34282 | 3 | FEDERMUTTER 8 |
| 12 | SA34451 | 1 | ACHSE FRONT |
| 13 | SA36261 | 4 | KLEMME (SUB FOR SA34649) |
| 14 | SA34450 | 2 | SCHRAUBE * DUO TAPTITE CM 6,0X10 |
| 15 | SA35229 | 2 | SCHEIBE |
| 16 | SA33230 | 2 | RAD (ORD SA35403) [-001305] |
| | SA34392 | 2 | RAD KPL. MIT BEREIFUNG (ORD SA35403) [001306-] |
| 17 | SA33229 | 4 | KUGELLAGER |
| 18 | SA15213 | 4 | UNTERLEGSCHEIBE (A) A8,4 |
| 19 | 14M7327 | 4 | SICHERUNGSMUTTER (A) M8 (SUB FOR SA11998) |
| 20 | SA36555 | 4 | DECKEL (SUB FOR SA33231) |
| 21 | SA35403 | 2 | RAD ASSY, FRONT 180MM |
| 22 | SA34474 | 1 | WELLE |
| 23 | SA34472 | 1 | ACHSE REAR |
| 24 | SA34285 | 1 | LAGER |
| 25 | SA34286 | 1 | GETRIEBE |
| 26 | SA34279 | 1 | FUEHRUNG |
| 27 | SA31264 | 1 | SCHRAUBE * M5X16 |
| 28 | SA34464 | 1 | SEILZUG (B) |
| 29 | SA34473 | 1 | HALTER * |
| 30 | SA34487 | 4 | SCHRAUBE * K60X14 |
| 31 | SA15232 | 2 | FEDERRING A6 |
| 32 | SA15364 | 2 | SECHSKANTSCHRAUBE M6X12 |
| 33 | SA30436 | 1 | FLANSCH |
| 34 | SA17730 | 2 | RILLENSCHEIBENHAELFTE |
| 35 | SA17379 | 1 | KEILRIEMEN |
| 36 | SA17732 | 3 | SCHEIBE |
| 37 | SA17733 | 1 | SCHEIBE |
| 38 | SA17731 | 1 | SCHEIBE |
| 39 | SA15232 | 1 | FEDERRING A6 |
| 40 | SA15324 | 1 | SECHSKANTSCHRAUBE M6X25 |
| 41 | SA31201 | 2 | BUECHSE |
| 42 | SA34586 | 2 | ABDECKUNG [-001755] |
| | SA35182 | 2 | ABDECKUNG [001756-] |
| 43 | SA34284 | 2 | MITNEHMER |
| 44 | SA13911 | 2 | FEDERSCHEIBE (A) |
| 45 | SA13912 | 4 | SCHEIBE |
| 46 | SA34504 | 1 | RITZEL LH |

| Reihennummer | Artikelnummer | Menge | Description |
|--------------|---------------|-------|--|
| | SA34503 | 1 | RITZEL RH |
| 47 | SA15864 | 2 | SPRENGRING 14X1 |
| 48 | SA13912 | 2 | SCHEIBE (A) [-001755] |
| | SA35424 | 2 | SCHEIBE (SUB FOR SA34979) [001756-] |
| 49 | SA34508 | 2 | RAD (ORD SA35405) [-001305] |
| | SA34918 | 2 | RAD (ORD SA35405) [001306-001755] |
| | SA35181 | 2 | RAD (ORD SA35405) [001756-] |
| 50 | SA12316 | 4 | NADELLAGER HK 1212 |
| 51 | SA35405 | 2 | RAD ASSY, REAR 180MM (A) WERDEN NUR NOCH IN PACKMENGEN GELIEFERT (B) FUER FAHRANTRIEB |