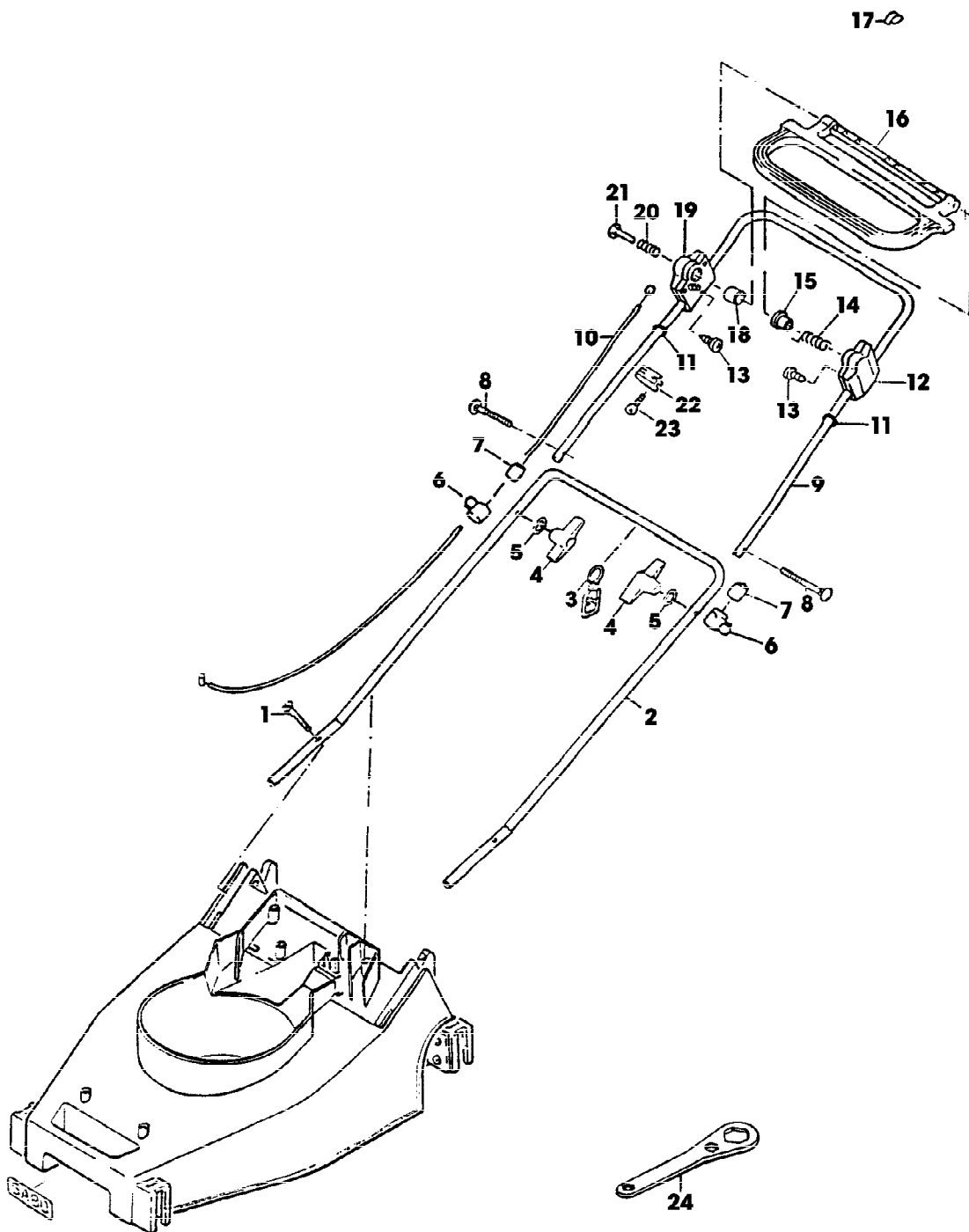




SA000607

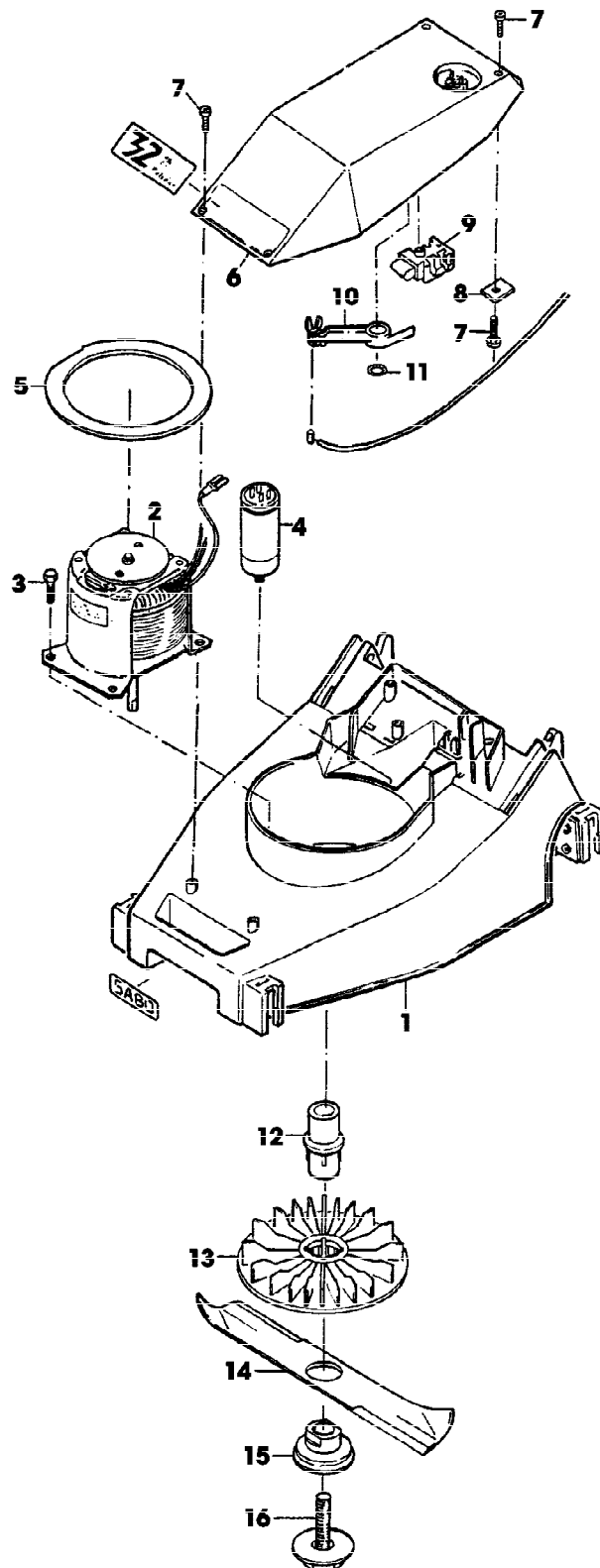
---

| Preisnummer | Artikelnummer | Menge | Description                 |
|-------------|---------------|-------|-----------------------------|
| 1           | SA30484       | 1     | AUFKLEBER                   |
| 2           | SA34669       | 1     | AUFKLEBER (SUB FOR SA17299) |



SA000604

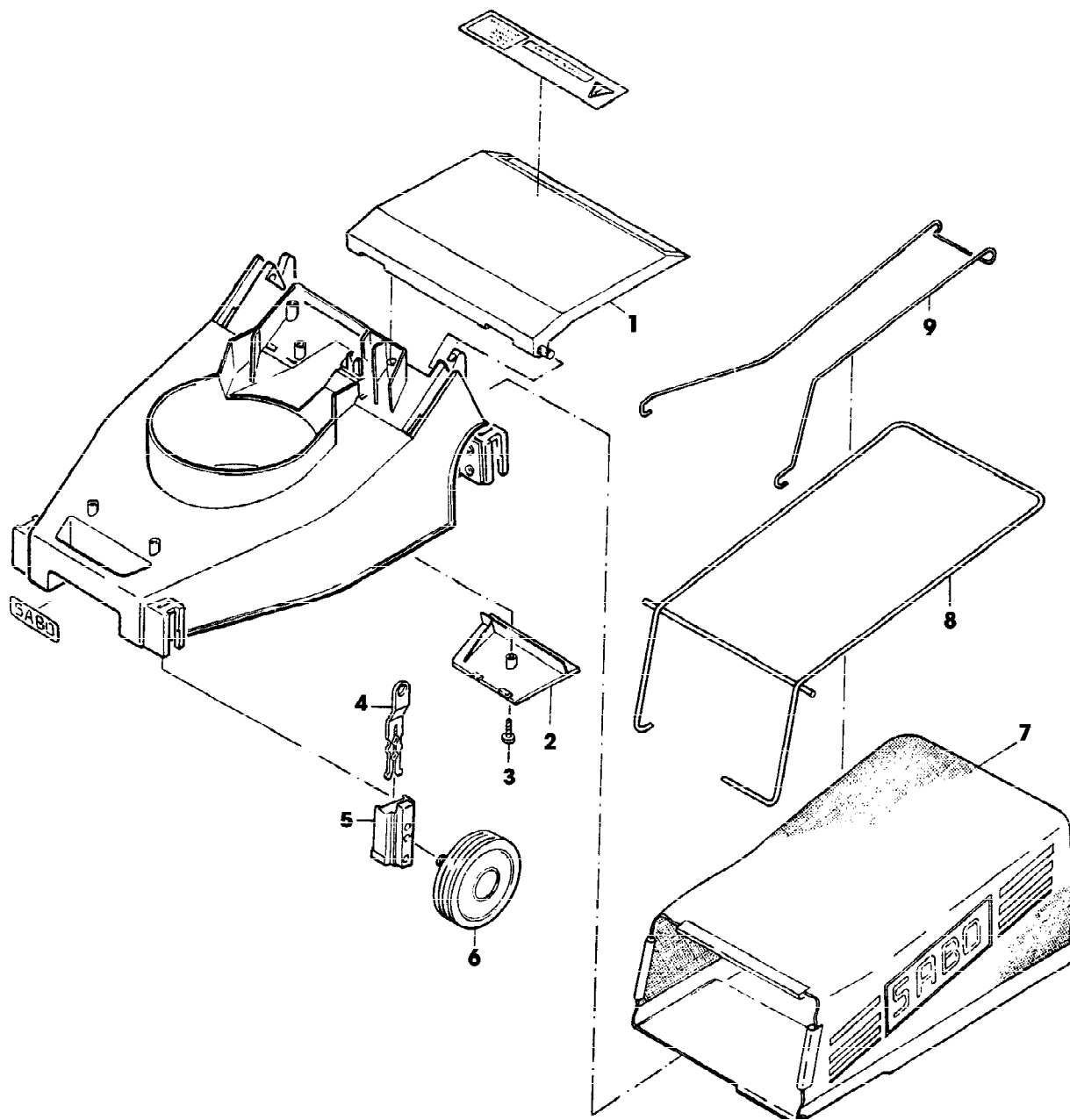
| Reihennummer | Artikelnummer | Menge | Description                                    |
|--------------|---------------|-------|--|
| 1            | SA30950       | 1     | SCHRAUBE * M6X30                               |
| 2            | SA11285       | 1     | FUEHRUNG LOW                                   |
| 3            | SA31745       | 1     | KABELHALTER ASSY (SUB FOR SA12040)             |
| 4            | SA31121       | 2     | FLUEGELMUTTER (A)                              |
| 5            | SA11243       | 2     | UNTERLEGSCHIEBE                                |
| 6            | SA15893       | 2     | KAPPE  |
| 7            | SA17148       | 2     | ISOLATOR                                       |
| 8            | SA15632       | 2     | SCHRAUBE * M6X45                               |
| 9            | SA32604       | 1     | LENKSTANGE UP                                  |
| 10           | SA30939       | 1     | SEILZUG  |
| 11           | SA33773       | 2     | O-RING (A)                                     |
| 12           | SA32601       | 1     | GEHAEUSE * LH                                  |
| 13           | SA31423       | 6     | SCHRAUBE * KB 35X20                            |
| 14           | SA32375       | 1     | FEDER  |
| 15           | SA17010       | 1     | DISTANZSTUECK                                  |
| 16           | SA32600       | 1     | GRIFF *  |
| 17           | SA32374       | 1     | KLEMME   |
| 18           | SA32602       | 1     | ROLLE  |
| 19           | SA32603       | 1     | GEHAEUSE * RH                                  |
| 20           | SA15876       | 1     | DRUCKFEDER                                     |
| 21           | SA11259       | 1     | DRUCKKNOPF                                     |
| 22           | SA11311       | 1     | KLEMME   |
| 23           | SA12182       | 1     | SCHRAUBE * 4,2X19                              |
| 24           | SA12045       | 1     | SCHLUESSEL                                     |
|              |               |       | (A) WERDEN NUR NOCH IN PACKMENGEN<br>GELIEFERT |



SA000597

| Reihennummer | Artikelnummer | Menge | Description                   |
|--------------|---------------|-------|-------------------------------|
| 1            | SA30491       | 1     | MAEHGEHAEUSE (A)              |
| 2            | SA34244       | 1     | ELEKTROMOTOR 950 W            |
| 3            | SA30473       | 4     | SCHRAUBE * K 70X18            |
| 5            | SA30545       | 1     | LUFTFUEHRUNG                  |
| 6            | SA30493       | 1     | HAUBE                         |
|              | SA30602       | 1     | HAUBE (B)                     |
|              | SA30911       | 1     | ELEKTR. STECKVERB. KLEMME (B) |
|              | SA12632       | 1     | ELEKTR. STECKVERB. KLEMME (B) |
| 7            | SA16267       | 5     | SCHRAUBE * (C) 4,2X13         |
| 8            | SA11311       | 1     | KLEMME                        |
| 9            | SA30476       | 1     | SCHALTER                      |
| 10           | SA30494       | 1     | HEBEL                         |
| 11           | SA18745       | 1     | WELLEGELENKSICHERUNGSSTIFT    |
| 12           | SA30472       | 1     | NABE                          |
| 13           | SA30471       | 1     | LUEFTER                       |
| 14           | SA30470       | 1     | MESSER                        |
| 15           | SA30475       | 1     | FLANSCH                       |
| 16           | SA30474       | 1     | SCHRAUBE *                    |

(A) BEI BESTELLUNG BAUJAHR ANGEBEN  
 (B) AUSFUEHRUNG SCHWEIZ  
 (C) WERDEN NUR NOCH IN PACKMENGEN  
 GELIEFERT



SA000599

| Reihennummer | Artikelnummer | Menge | Description  |
|--------------|---------------|-------|--|
| 1            | SA30468       | 1     | KLAPPE ASSY (INCL SA30490, SA30467)  |
|              | SA30490       | 1     | STANGE *   |
|              | SA30467       | 1     | BOLZEN   |
| 2            | SA30466       | 1     | DECKEL   |
| 3            | SA16267       | 1     | SCHRAUBE * (A) 4,2X13  |
| 4            | SA30464       | 4     | VERSTELLVORRICHTUNG  |
| 5            | SA30465       | 4     | LAGER  |
| 6            | SA30481       | 4     | RAD  |
| 7            | SA30486       | 1     | GRASFANGBEHAELTER  |
| 8            | SA30485       | 1     | RAHMEN   |
| 9            | SA34414       | 1     | BUEGEL (SUB FOR SA30483)<br>(A) WERDEN NUR NOCH IN PACKMENGEN<br>GELIEFERT |