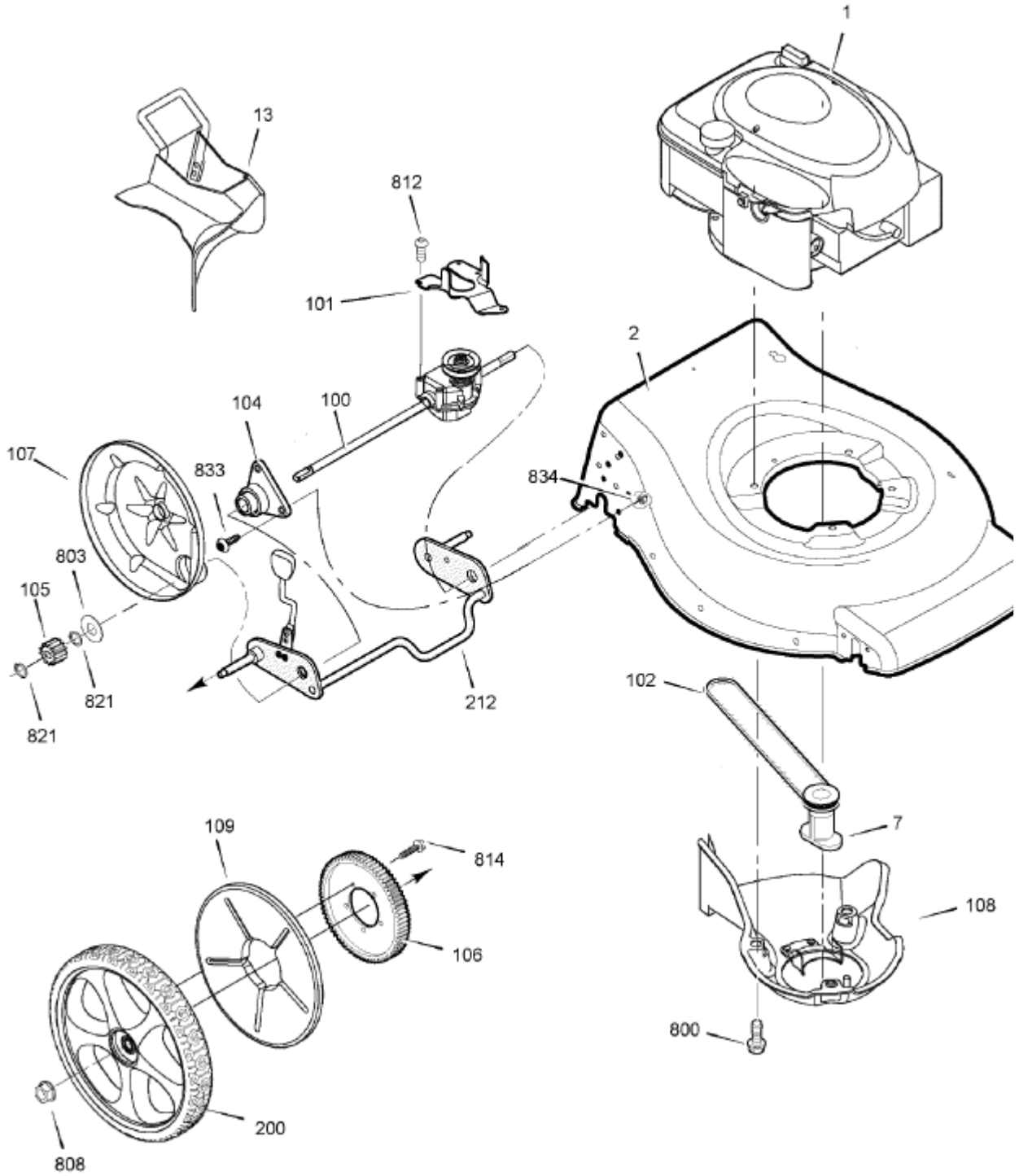
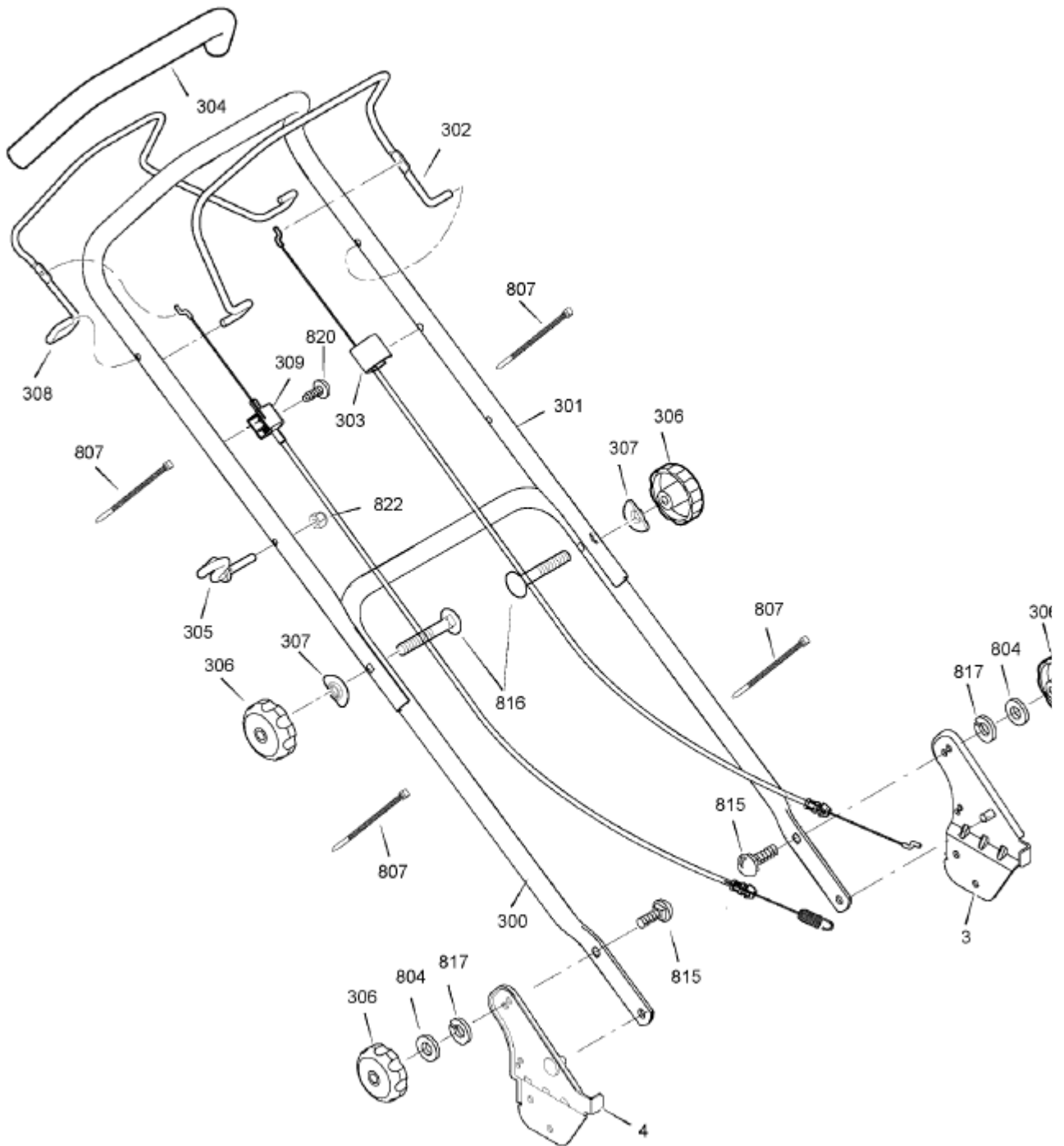


Ref #	Part #	<input checked="" type="checkbox"/> Description	<input checked="" type="checkbox"/> Qty	<input checked="" type="checkbox"/> Context Note	<input checked="" type="checkbox"/> Foot Note	<input checked="" type="checkbox"/> UOM
1	* Add to pick list	ENGINE	1		NOTE: * Purchase engine parts from engine manufacturer dealer.	
2	880864YP Add to pick list	MOWER HOUSING	1			
3	700141 Add to pick list	BRACKET ASSEMBLY, Left Handle	1			
4	700142 Add to pick list	BRACKET ASSEMBLY, Right Handle	1			
6	700162 Add to pick list	BLADE, 16 in	1			
7	700214 Add to pick list	BLADE ADAPTER ASSEMBLY	1			
8	700099 Add to pick list	DOOR, Rear	1			
9	700095 Add to pick list	ROD, Rear Door	1			
10	700001 Add to pick list	SPRING, Torsion Rear Door	1			
11	700208 Add to pick list	FRAME ASSEMBLY	1			
12	700100 Add to pick list	BAG ASSEMBLY	1			
50	700226 Add to pick list	SIDE GUARD, Right	1			
51	700227 Add to pick list	SIDE GUARD, Left	1			
200	700193 Add to pick list	WHEEL, Rear	1			
201	700197 Add to pick list	HUBCAP, Rear	1			
202	700202 Add to pick list	WHEEL, Front	1			
203	700198 Add to pick list	HUBCAP, Front	1			
206	700225 Add to pick list	CROSSBAR ASSEMBLY, Front	1			
208	700059 Add to pick list	BUSHING, Front Crossbar	1			
209	700071 Add to pick list	SPRING, Clip Crossbar	1			
210	700205 Add to pick list	LINK, Single Lever	1			
211	700073 Add to pick list	SPRING, Extension	1			
212	880854YP Add to pick list	CROSSBAR ASSEMBLY, Rear	1			
213	880855YP Add to pick list	REAR CROSSBAR	1			
214	700164 Add to pick list	SPRING, Adjuster	1			
215	700243 Add to pick list	LEVER, Height Adjustment	1			

216	700172 Add to pick list	KNOB, Adjuster	1			
217	700224 Add to pick list	BRACKET, Height Adjuster	1			
800	0025X6MA Add to pick list	SCREW, Hex Head, 3/8-16 x 1	1			
801	700011 Add to pick list	BOLT, Blade, 3/8-24 x 2	1			
802	1101989MA Add to pick list	WASHER, Belleville	1			
804	700150 Add to pick list	WASHER, 5/8	1			
805	700002 Add to pick list	NUT, Nylock, M8 x 1-1/4	1			
808	015X84MA Add to pick list	NUT, Flange, 3/8-16	1			
809	26X245MA Add to pick list	SCREW, Self Tap, #10-16 x 1/2	1			
810	700081 Add to pick list	BOLT, Hex Key Head	1			
811	700103 Add to pick list	NUT, Nylock	1			
813	700122 Add to pick list	SCREW, Torx Head, M5 x .8 x 14mm	1			
818	700156 Add to pick list	NUT, Speed	1			
819	700218 Add to pick list	SCREW, Torx Head, M5 x .8 x 12.5mm	1			
823	700247 Add to pick list	BOLT, Shoulder, 5/16-18 x 1	1			
824	015X88MA Add to pick list	Nut, Flange, 5/16-18	1			
830	48901MA Add to pick list	SCREW, 5/16-18 x 3/4	1			
900	880910YP Add to pick list	SPRING CLIP, Rear Door	1			
1000	700302 Add to pick list	DECAL KIT	1			
1001	880904YP Add to pick list	MANUAL KIT	1			



Ref #	Part #	<input checked="" type="checkbox"/> Description	<input checked="" type="checkbox"/> Qty	<input checked="" type="checkbox"/> Context Note	<input checked="" type="checkbox"/> Foot Note	<input checked="" type="checkbox"/> UOM
1	* Add to pick list	ENGINE	1			
2	880864YP Add to pick list	MOWER HOUSING	1			
7	700214 Add to pick list	BLADE ADAPTER ASSEMBLY	1			
13	880913YP Add to pick list	MULCH PLUG	1			
100	700242 Add to pick list	TRANSMISSION	1			
101	700120 Add to pick list	BELT GUIDE, Transmission	1			
102	700123 Add to pick list	V-BELT	1			
104	880787YP Add to pick list	SLEEVE ASSEMBLY, Rear Axle	1			
105	700239 Add to pick list	GEAR, Pinion	1			
106	700238 Add to pick list	GEAR, Drive	1			
107	700240 Add to pick list	DUST COVER	1			
108	700234 Add to pick list	BELT COVER ASSEMBLY	1			
109	700241 Add to pick list	COVER, Wheel	1			
200	700193 Add to pick list	WHEEL, Rear	1			
212	880854YP Add to pick list	CROSSBAR ASSEMBLY, Rear	1			
800	0025X6MA Add to pick list	SCREW, Hex Head, 3/8-16 x 1	1			
803	700131 Add to pick list	WASHER, Thrust	1			
808	015X84MA Add to pick list	NUT, Flange, 3/8-16	1			
812	880760YP Add to pick list	SCREW, #10 x 1	1			
814	26X296MA Add to pick list	SCREW, 1/4-15 x 3/4	1			
821	700237 Add to pick list	RING, External Retaining	1			
833	880845YP Add to pick list	SCREW, Torx, 1/4-20 x 5/8	1			
834	880859YP Add to pick list	NUT, Flange Lock, 1/4-20	1			



Ref #	Part #	<input checked="" type="checkbox"/> Description	<input checked="" type="checkbox"/> Qty	<input checked="" type="checkbox"/> Context Note	<input checked="" type="checkbox"/> Foot Note	<input checked="" type="checkbox"/> UOM
3	700141 Add to pick list	BRACKET ASSEMBLY, Left Handle	1			
4	700142 Add to pick list	BRACKET ASSEMBLY, Right Handle	1			
300	700222 Add to pick list	HANDLE, Lower	1			
301	700097 Add to pick list	HANDLE, Upper	1			
302	700186 Add to pick list	LEVER, Engine Stop	1			
303	700163 Add to pick list	CABLE, Engine Stop	1			
304	700213 Add to pick list	TUBING, Foam	1			
305	672510MA Add to pick list	GUIDE, Rope	1			
306	700145 Add to pick list	KNOB, 5/16-18	1			
307	700148 Add to pick list	WASHER, Formed	1			
308	700192 Add to pick list	LEVER, Drive	1			
309	700115 Add to pick list	CABLE ASSEMBLY, Drive	1			
804	700150 Add to pick list	WASHER, 5/8	1			
807	700010 Add to pick list	CABLE TIE	1			
815	700146 Add to pick list	BOLT, Carriage, 5/16-18 x 1-1/8	1			
816	002X77MA Add to pick list	BOLT, Carriage, 5/16-18 x 2	1			
817	700078 Add to pick list	Washer, Lock	1			
820	26X256MA Add to pick list	SCREW, Tap, #10 x 1-1/4	1			
822	15X116MA Add to pick list	NUT, Hex, 1/4-20	1			