

Supercessions	Ref #	Part #	<input checked="" type="checkbox"/> Description	<input checked="" type="checkbox"/> Qty	<input checked="" type="checkbox"/> Context Note	<input checked="" type="checkbox"/> Foot Note	<input checked="" type="checkbox"/> UOM
	480	583146MA Add to pick list	PULLEY, 4L 8.40 OD				
	482	2001022MA Add to pick list	KEY, SQUARE 3/16 X 3/4				
	484	15X112MA Add to pick list	NUT, 1/2-20				
	485	1501158MA Add to pick list	SPACER, FRICTION PULLEY				
	490	582957 YZ Add to pick list	RETAINER, BALL BRNG				
	491	43846 Add to pick list	BEARING, BALL				
	493	001X92MA Add to pick list	BOLT, HEX 5/16-18X .50				
	499	710026 Add to pick list	NUT, 5/16-18 HEXWDFLLK				
	500	1501715E540 Add to pick list	HOUSING, ASSY				
	510	760656E701MA Add to pick list	BLADE, SCRAPER				
	511	340720MA Add to pick list	BOLT, 5/16-18X.75				
	514	710026 Add to pick list	NUT, 5/16-18				
	520	760605E701MA Add to pick list	AUGER, ASSY, LH				
	521	760606E701MA Add to pick list	AUGER, ASSY, RH				
	522	9524MA Add to pick list	SCREW, 1/4-20 X 1.75				
	523	3943MA Add to pick list	SPACER, SLEEVE				
	524	73826 Add to pick list	NUT, 1/4-20				
	525	53757MA Add to pick list	BEARING, FLANGE				
	527	70984 Add to pick list	SCREW, 5/16-18 x 0.75				
	540	762377E701 Add to pick list	SKID, HEIGHT ADJUST				
	541	340720MA Add to pick list	BOLT, 5/16-18 X .75				
	544	710026 Add to pick list	NUT, 5/16-18				
	550	1501576MA Add to pick list	BRUSH, CLEANOUT				
	551	1501672MA Add to pick list	CLIP, RETAINER				
	552	06X115MA Add to pick list	SCREW				
	553	15X146MA Add to pick list	NUT				

554

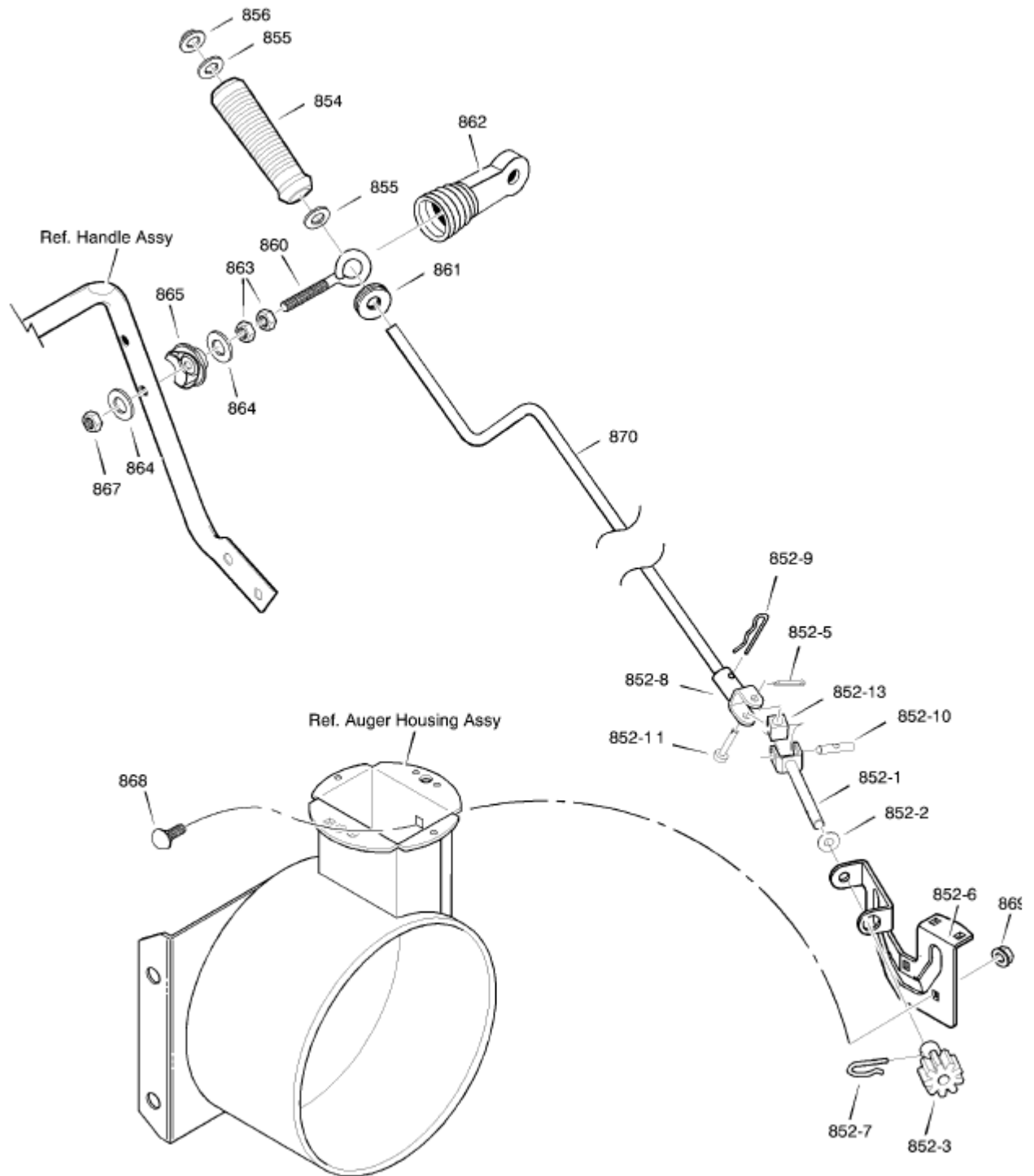
578063MA
Add to pick list

BLOCK

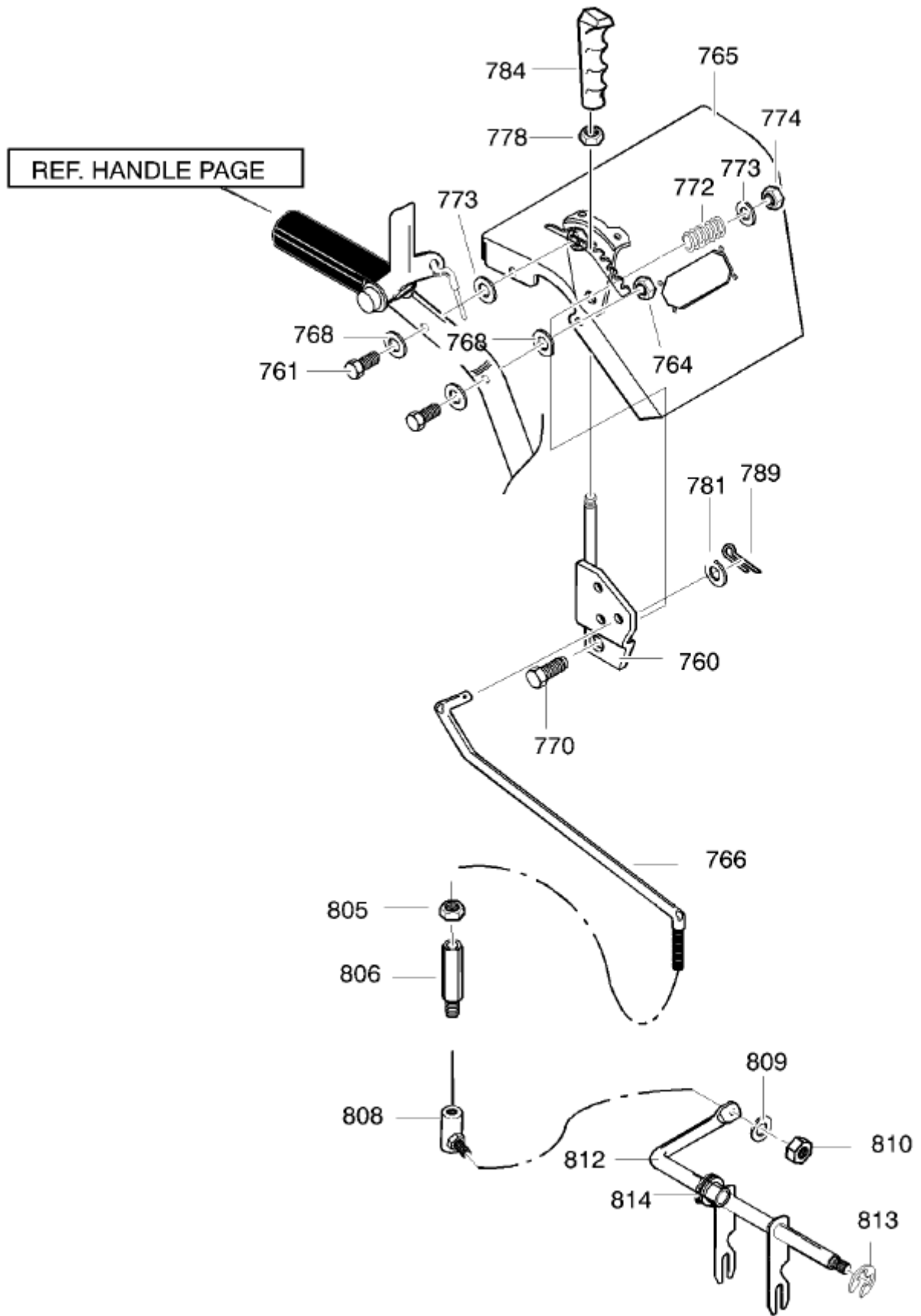
--

1501216MA
Add to pick list

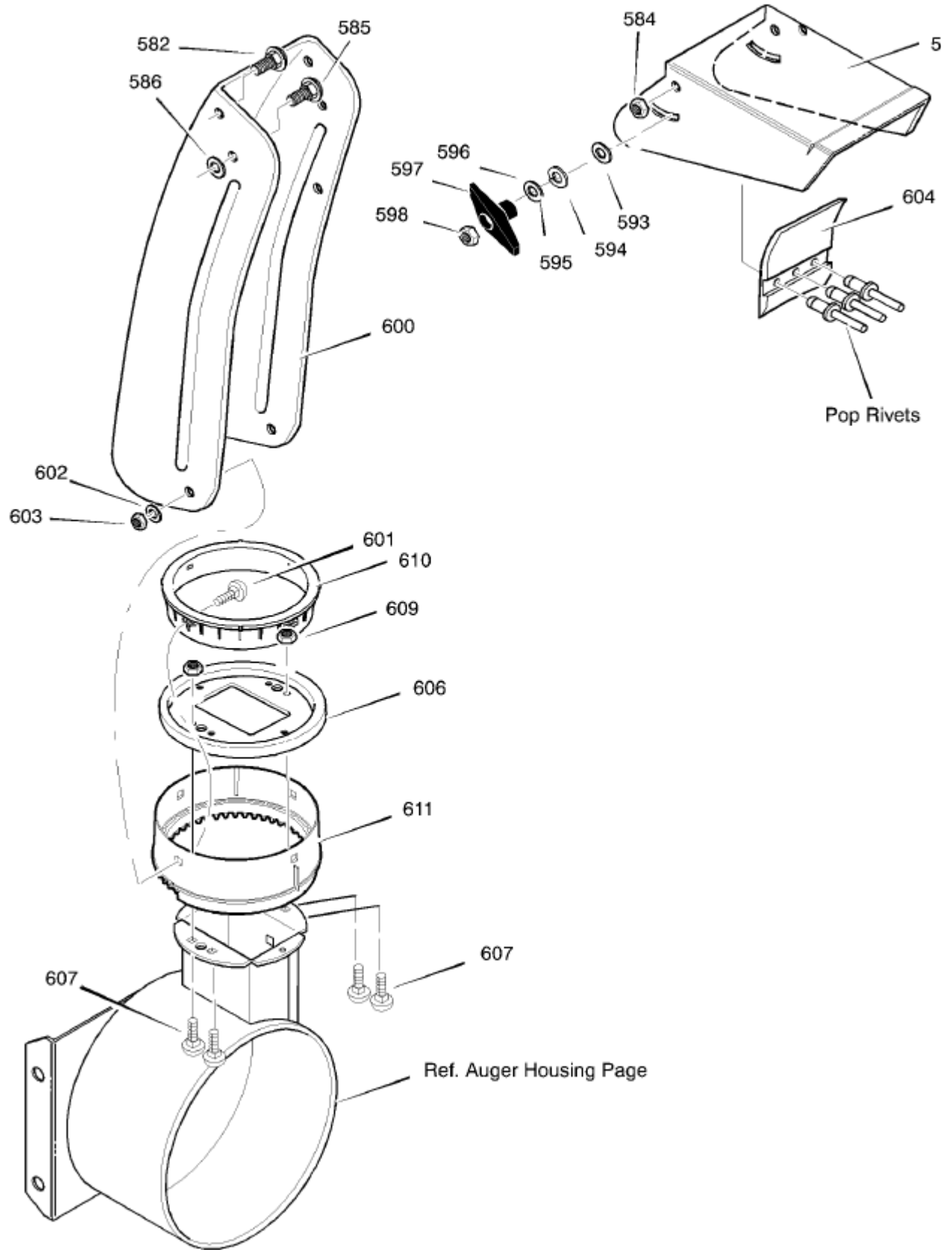
KIT, SHEAR BOLT



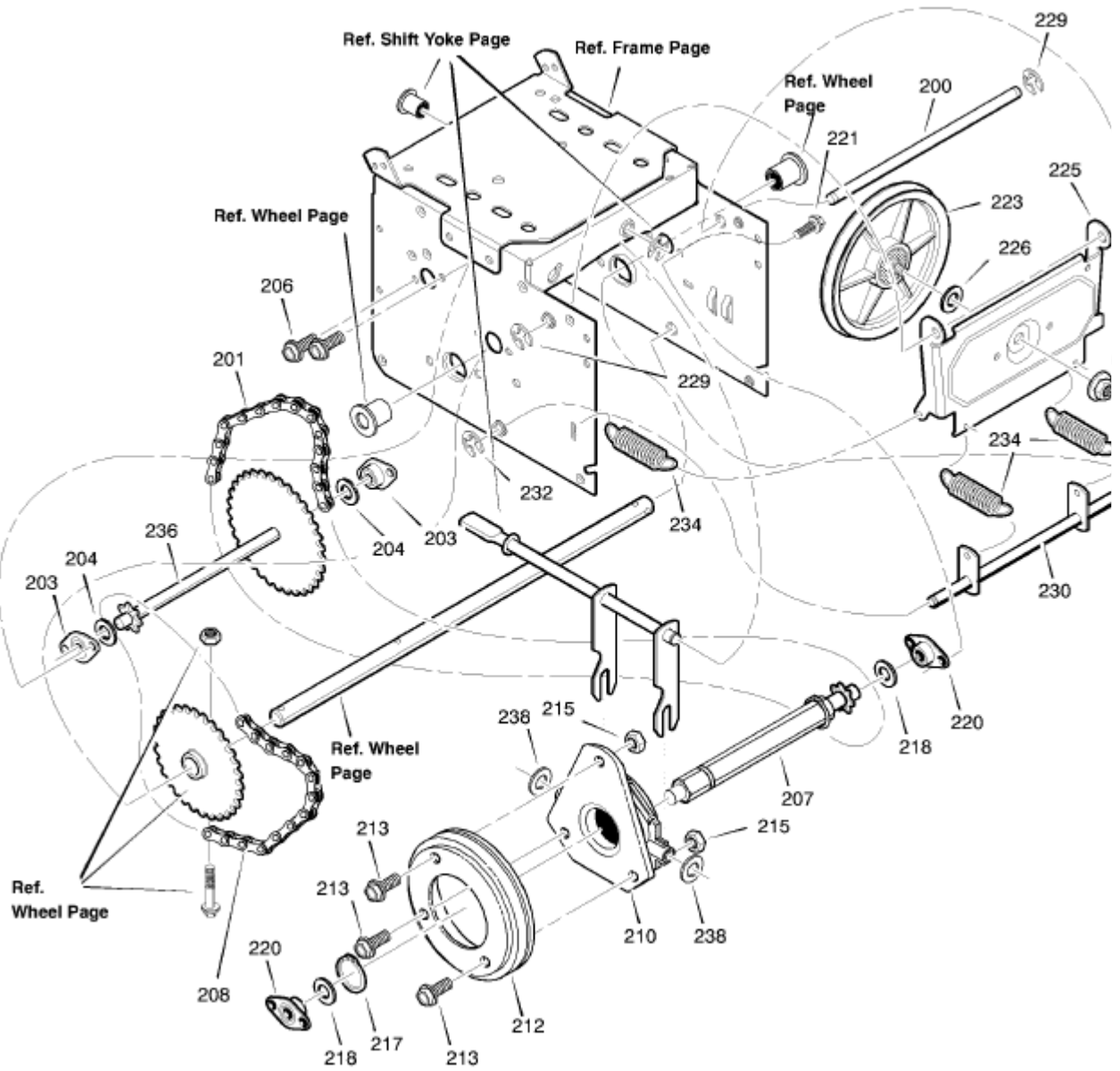
Supercessions	Ref #	Part #	<input checked="" type="checkbox"/> Description	<input checked="" type="checkbox"/> Qty	<input checked="" type="checkbox"/> Context Note	<input checked="" type="checkbox"/> Foot Note	<input checked="" type="checkbox"/> UOM
	852-1	1501309 YZ Add to pick list	ASSEMBLY, YOKE & ROD				
	852-2	313431MA Add to pick list	WASHER, CURVED SPRING				
↷	852-3	1501067MA Add to pick list	GEAR, CHUTE ROTATION 9T				
↷	852-5	579493MA Add to pick list	PIN, COTTER				
↷	852-6	1501306E701MA Add to pick list	BRACKET, GEAR MOUNT				
↷	852-7	1501293MA Add to pick list	PIN, HAIR				
	852-8	1501075 YZ Add to pick list	ASSEMBLY, YOKE ADAPTER YZ				
↷	852-9	711682MA Add to pick list	PIN, HAIR				
↷	852-10	578060MA Add to pick list	PIN, UNIVERSAL JOINT				
↷	852-11	578309MA Add to pick list	PIN, CLEVIS				
	852-13	578063MA Add to pick list	HOUSING, UNIVERSAL				
	854	51443MA Add to pick list	KNOB, SLEEVE				
	855	309312MA Add to pick list	FLATWASHER				
	856	73664MA Add to pick list	NUT, PUSH ON 3/8"				
	860	581618MA Add to pick list	EYE BOLT 3/8-16X6.00				
	861	148MA Add to pick list	GROMMET, EYE BOLT				
	862	308145MA Add to pick list	BOOT, EYE BOLT				
	863	71045 Add to pick list	NUT, 3/8-16 HEXJAM				
	864	71072 Add to pick list	FLATWASHER .406X.81X.066				
	865	309344MA Add to pick list	ADAPTER, BOOT				
	867	71046 Add to pick list	NUT, 3/8-16 HEXNYL				
	868	002X98MA Add to pick list	BOLT, CARRIAGE 1/4-20 X 1.00				
	869	15X145MA Add to pick list	NUT, 1/4-20				
	870	1501074 YZ Add to pick list	CRANK, ASSY CHUTE				



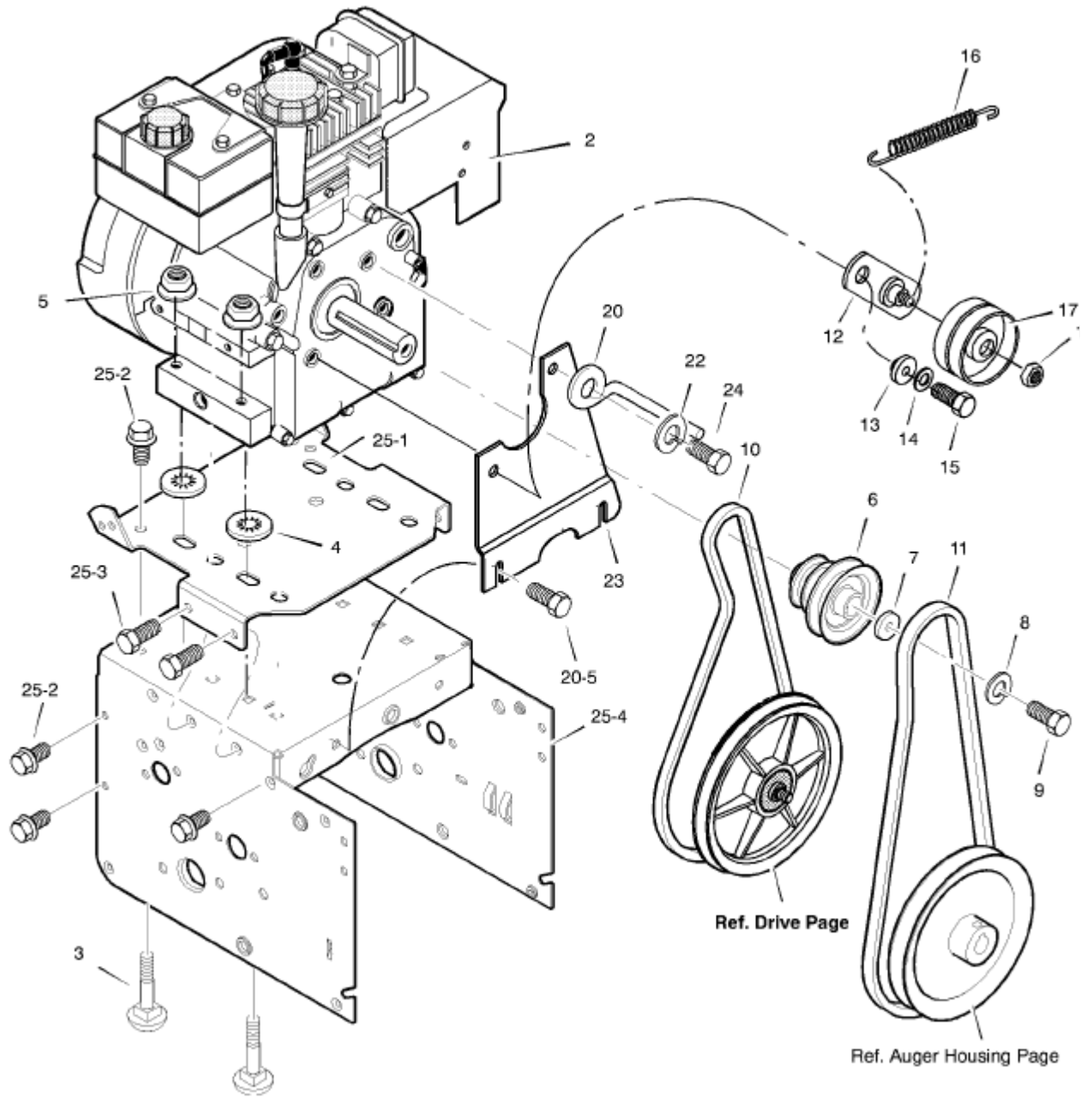
Supercessions	Ref #	Part #	<input checked="" type="checkbox"/> Description	<input checked="" type="checkbox"/> Qty	<input checked="" type="checkbox"/> Context Note	<input checked="" type="checkbox"/> Foot Note	<input checked="" type="checkbox"/> UOM
	760	1501632 YZ Add to pick list	HANDLE ASSY SPD CTRL				
	761	302900MA Add to pick list	SCREW, 5/16-18 x 1.75				
	764	710026 Add to pick list	NUT, 5/16-18				
	765	760328E540 Add to pick list	ASSY. BAYPANEL -LT				
	766	1501581MA Add to pick list	ROD, SPEED CONTROL				
	768	71071 Add to pick list	WASHER				
	770	71007 Add to pick list	SCREW 3/8-16X2.00				
	772	50786MA Add to pick list	SPRING				
	773	71072 Add to pick list	FLATWASHER				
	774	71046 Add to pick list	NUT, 3/8-16				
	778	71044 Add to pick list	NUT, 3/8-16				
	781	71071 Add to pick list	FLATWASHER				
	784	306689MA Add to pick list	HANDLE, GRIP				
	789	71081 Add to pick list	PIN, COTTER				
	805	71042MA Add to pick list	NUT, 5/16-18				
	806	6352MA Add to pick list	ADAPTER, SPEED ROD -YZ				
	808	50782MA Add to pick list	BALLJOINT, STEEL -YZ				
	809	71060 Add to pick list	WASHER				
	810	71042MA Add to pick list	NUT, 5/16-18				
	812	1501110 YZ Add to pick list	ROD, ASSY YOKE				
	813	11X30MA Add to pick list	RING, RETAINER				
	814	579944MA Add to pick list	BEARING, FLANGE				



Ref #	Part #	<input checked="" type="checkbox"/> Description	<input checked="" type="checkbox"/> Qty	<input checked="" type="checkbox"/> Context Note	<input checked="" type="checkbox"/> Foot Note	<input checked="" type="checkbox"/> UOM
580	761070E701 Add to pick list	CHUTE, UPPER W/REMOTE				
582	578088MA Add to pick list	SCREW, 5/16-18 x 0.75				
584	71038 Add to pick list	NUT				
585	578088MA Add to pick list	SCREW, 5/16-18 x 0.75				
593	6711MA Add to pick list	WASHER, PLASTIC				
594	71071 Add to pick list	WASHER, FLAT				
595	71060 Add to pick list	WASHER, SPLIT				
596	71071 Add to pick list	WASHER, FLAT				
597	57171 Add to pick list	KNOB, T 3.00				
598	15X144 Add to pick list	NUT				
600	761328E701 Add to pick list	CHUTE, LOWER / GUARD				
601	02X100 Add to pick list	BOLT				
602	71071 Add to pick list	WASHER, FLAT				
603	71038 Add to pick list	NUT				
604	762322MA Add to pick list	FLAP				
606	585214 YZ Add to pick list	CHUTE COLLAR				
607	02X101MA Add to pick list	BOLT				
609	15X145MA Add to pick list	NUT				
610	337227MA Add to pick list	RETAINER, RING INNER				
611	1501282MA Add to pick list	RETAINER, RING OUTER				



Supercessions	Ref #	Part #	<input checked="" type="checkbox"/> Description	<input checked="" type="checkbox"/> Qty	<input checked="" type="checkbox"/> Context Note	<input checked="" type="checkbox"/> Foot Note	<input checked="" type="checkbox"/> UOM
	200	1501092 YZ Add to pick list	LF AXLE, SWING PLATE YZ				
	201	579851MA Add to pick list	CHAIN, ROLLER #420x19.00				
	203	334163MA Add to pick list	BEARING AND RETAINER, ASSY				
	204	579858MA Add to pick list	WASHER				
	206	780055MA Add to pick list	SCREW, TAP 5/16-18 x 0.5				
	207	1501236MA Add to pick list	ASSY, HEX SHAFT				
	208	579868MA Add to pick list	CHAIN, ROLLER #420x18.00 LG				
	210	337029MA Add to pick list	BEARING, TRUNION CLUTCH R				
	212	1501435MA Add to pick list	WHEEL, FRICTION DISC				
	213	001X38MA Add to pick list	BOLT				
	215	303008MA Add to pick list	NUT, KEPS HEX 1/4- 20				
	217	579859MA Add to pick list	RING, RETEXT				
	218	579858MA Add to pick list	WASHER				
	220	334163MA Add to pick list	BEARING AND RETAINER, ASSY				
	221	780055MA Add to pick list	SCREW, TAP 5/16-18 x .5				
	223	1501115MA Add to pick list	FRICTION PULLY				
	225	1501057 YZ Add to pick list	LF PLATE, SWINGING YZ				
	226	1501158MA Add to pick list	SPACER, FRICTION PULLEY				
	227	15X114 Add to pick list	NUT, FLANGE LOCK 3/8-24				
	229	11X30MA Add to pick list	RETAINER, RING				
	230	1501107 YZ Add to pick list	LF ASSY, SPRING LINK YZ				
	232	11X30MA Add to pick list	RETAINER, RING				
	234	165X112MA Add to pick list	SPRING, EXTENSION				
	236	1501237 Add to pick list	WLD, INTERMED SPROCKET 33T/7				
	238	71074 Add to pick list	WASHER, FLAT				



Supercessions	Ref #	Part #	<input checked="" type="checkbox"/> Description	<input checked="" type="checkbox"/> Qty	<input checked="" type="checkbox"/> Context Note	<input checked="" type="checkbox"/> Foot Note	<input checked="" type="checkbox"/> UOM
	2	----- Add to pick list	ENGINE				
	3	002X97MA Add to pick list	BOLT, CARRIAGE 5/16-18				
	4	028X76MA Add to pick list	RETAINER, PUSH				
	5	710026 Add to pick list	NUT, HEX 5/16-18				
	6	1501109MA Add to pick list	PULLEY, ENGINE				
	7	710247 Add to pick list	WASHER				
	8	71063 Add to pick list	WASHER .38ID				
	9	71015 Add to pick list	SCREW, 3/8-24 x 1.00				
	10	579932MA Add to pick list	BELT, V 3L 33.13LG				
	11	585416MA Add to pick list	BELT, V 4L 38.1MF16" 5-10				
	12	1501112 YZ Add to pick list	BRACKET ASSEMBLY, IDLER				
	13	1501065MA Add to pick list	BUSHING, IDLER BRACKET				
	14	71060 Add to pick list	WASHER, SPLIT				
	15	910828MA Add to pick list	SCREW 5/16-24 X 1.00				
	16	165X164MA Add to pick list	SPRING, IDLER TRACTION DRIVE				
	17	50793MA Add to pick list	PULLEY, IDLER				
	18	590 Add to pick list	NUT, JAM 3/8-16				
	20	1501201MA Add to pick list	GUIDE, BELT				
	22	71060 Add to pick list	WASHER, SPTLK .31X.58X.08				
	23	1501482MA Add to pick list	PLATE, ANTI VIBRATION				
	24	910828MA Add to pick list	SCREW, 5/16-24 x 1.00				
	25	----- Add to pick list	FRAME ASSEMBLY				
	25-1	1501062E540 Add to pick list	PLATE, ENGINE MOUNT				
	25-2	310169MA Add to pick list	SCREW, TAP 1/4-20 X .63				
	25-3	25X020MA Add to pick list	SCREW, TAP 5/16-18 X .50				
	25-4	1501049E540 Add to pick list	FRAME, MOTOR BOX				

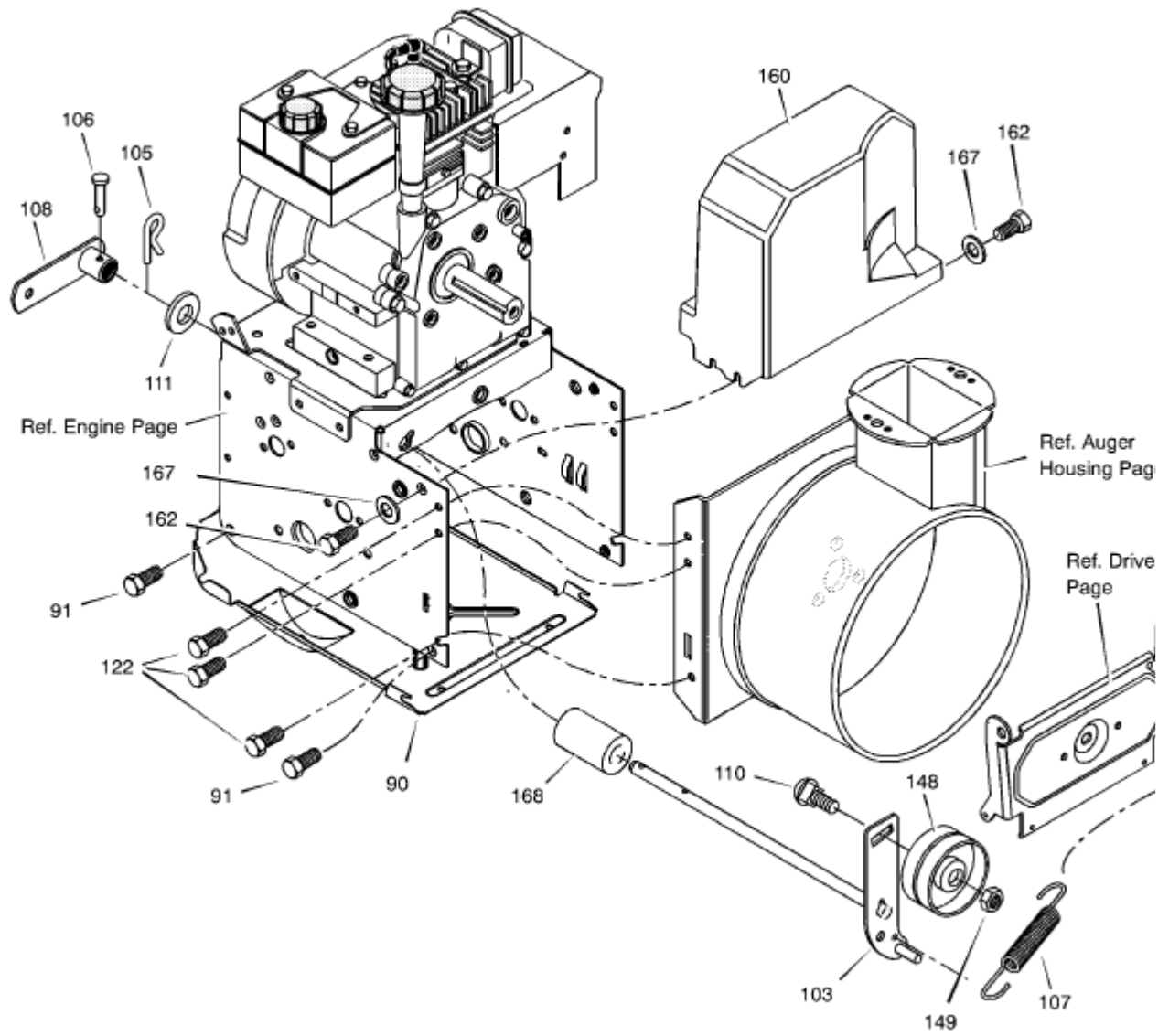
25-5 26X263MA
Add to pick list

SCREW

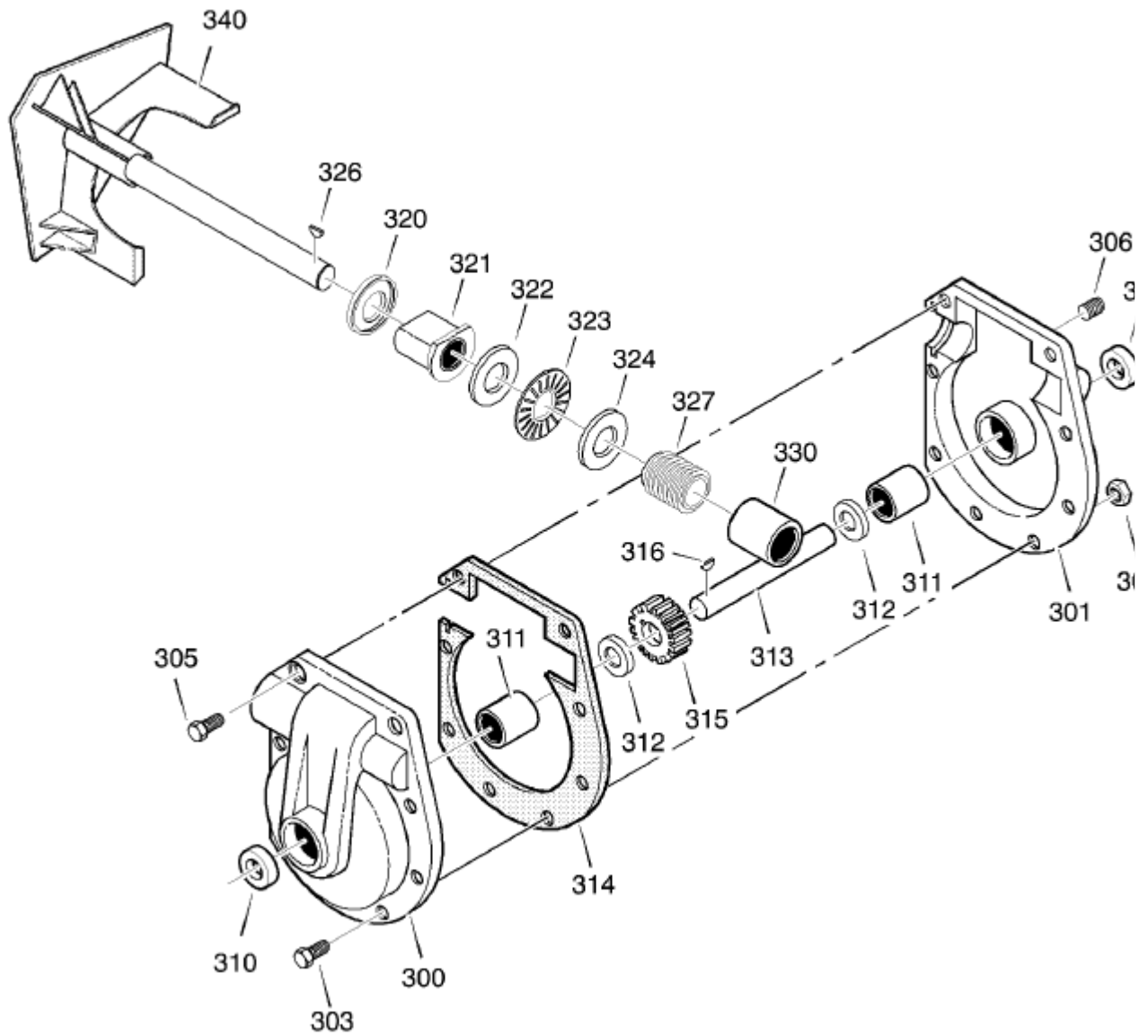
--

F-031064L
Add to pick list

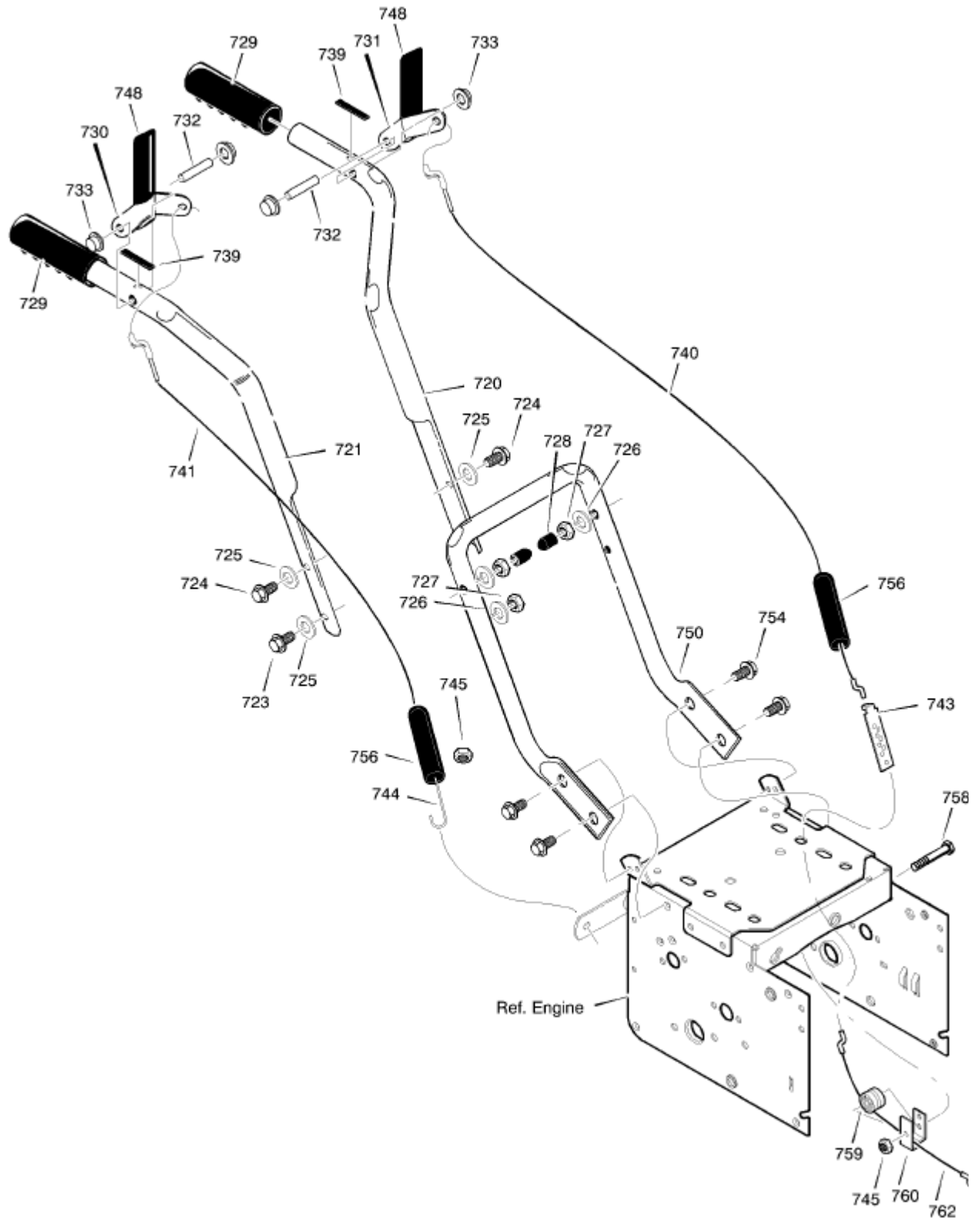
OWNER'S MANUAL



Supercessions	Ref #	Part #	<input checked="" type="checkbox"/> Description	<input checked="" type="checkbox"/> Qty	<input checked="" type="checkbox"/> Context Note	<input checked="" type="checkbox"/> Foot Note	<input checked="" type="checkbox"/> UOM
	90	1501055E701MA Add to pick list	COVER, BOTTOM				
	91	310169MA Add to pick list	SCREW, 1/4-20X .63				
	103	1501226 YZ Add to pick list	IDLER ASSEMBLY, AUGER				
	105	711682MA Add to pick list	PIN, HAIR .38DIAx1.64LG				
	106	761761MA Add to pick list	PIN, CLEVIS 3/16" DIA				
	107	165X159MA Add to pick list	SPRING, TENSION				
	108	761675 YZ Add to pick list	ASSY., SPRING ATTACH				
	110	585781MA Add to pick list	BOLT, 3/8-16X1.25 CARR.				
	111	711617 Add to pick list	WASHER, FLAT				
	122	780055MA Add to pick list	SCREW, TAP 5/16- 18 X .50				
	148	50793MA Add to pick list	PULLEY, IDLER				
	149	590 Add to pick list	NUT, JAM 3/8-16				
	160	1501053MA Add to pick list	COVER, BELT				
	162	26X306MA Add to pick list	SCREW, TAP				
	166	71067 Add to pick list	WASHER, FLAT				
	168	1501200MA Add to pick list	SPACER, AUGER BRACKET				

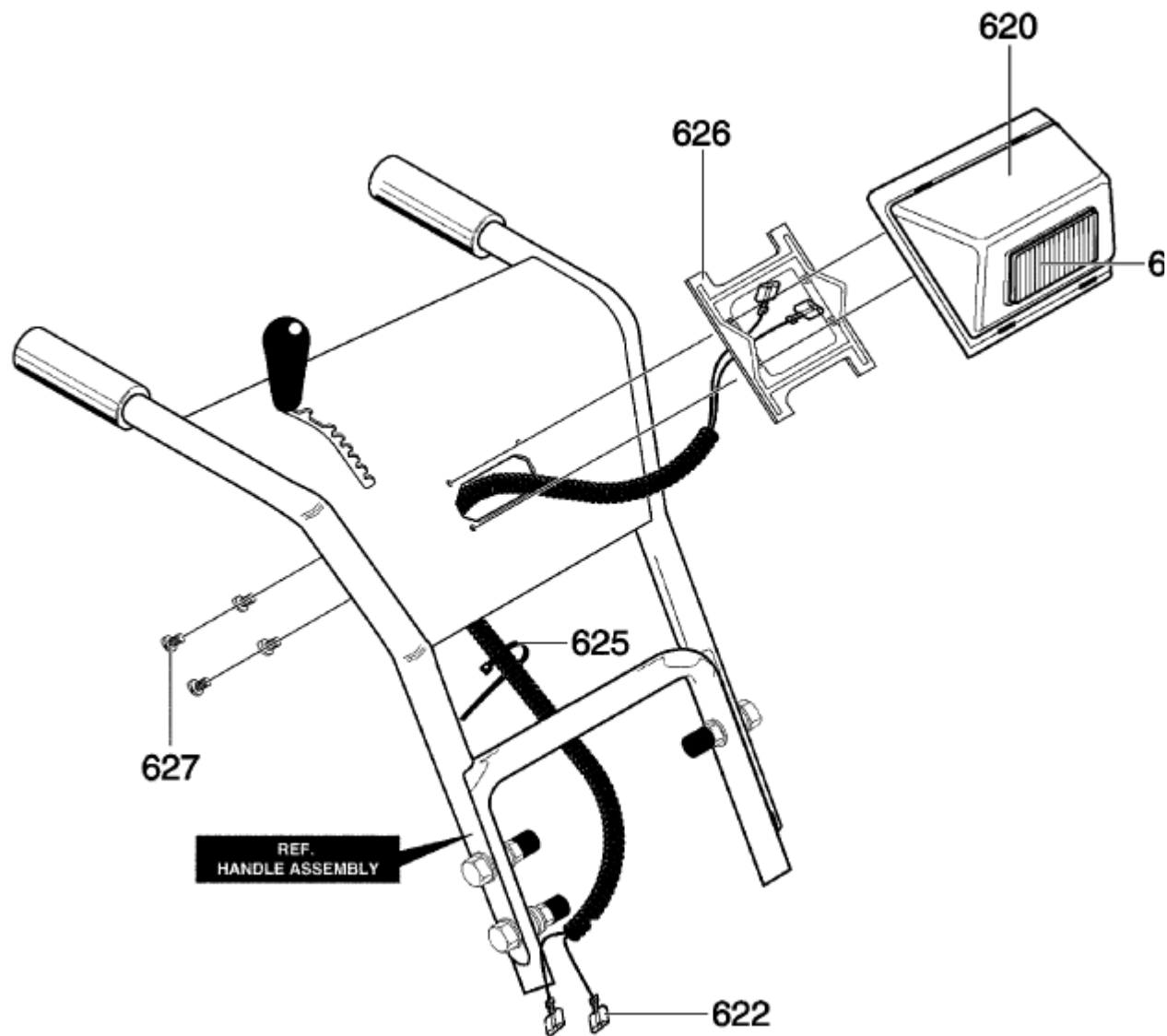


Supercessions	Ref #	Part #	Description	Qty	Context Note	Foot Note	UOM
	300	896MA Add to pick list	CASE, GEAR, RH				
	301	895MA Add to pick list	CASE, GEAR, LH				
	303	910828MA Add to pick list	SCREW, 5/16-24 x 1.00				
	304	71100MA Add to pick list	NUT, 5/16-24				
	305	330434MA Add to pick list	SCREW, 5/16-24 x 1.50				
	306	53749MA Add to pick list	PLUG, PIPE 0.25-18				
	310	780151MA Add to pick list	SEAL, OIL				
	311	53743 Add to pick list	BEARING, SLEEVE				
	312	53748MA Add to pick list	WASHER, FLAT				
	313	760529MA Add to pick list	SHAFT, AUGER OUTPUT				
	314	897MA Add to pick list	GASKET, GEAR BOX				
	315	53730MA Add to pick list	WORM GEAR				
	316	73905MA Add to pick list	KEY, WOODRUFF #91				
	320	53737MA Add to pick list	RING, QUAD 0.924 ID				
	321	583126MA Add to pick list	BEARING, FLANGE				
	322	48275MA Add to pick list	WASHER, FLAT				
	323	50684MA Add to pick list	BEARING, ROLLER				
	324	48275MA Add to pick list	WASHER, FLAT				
	326	50795MA Add to pick list	KEY				
	327	53732MA Add to pick list	WORM				
	330	53731MA Add to pick list	BEARING, SLEEVE				
	340	1501147E701MA Add to pick list	IMPELLER				
	--	333431MA Add to pick list	10oz TUBE LUBRIPLATE				

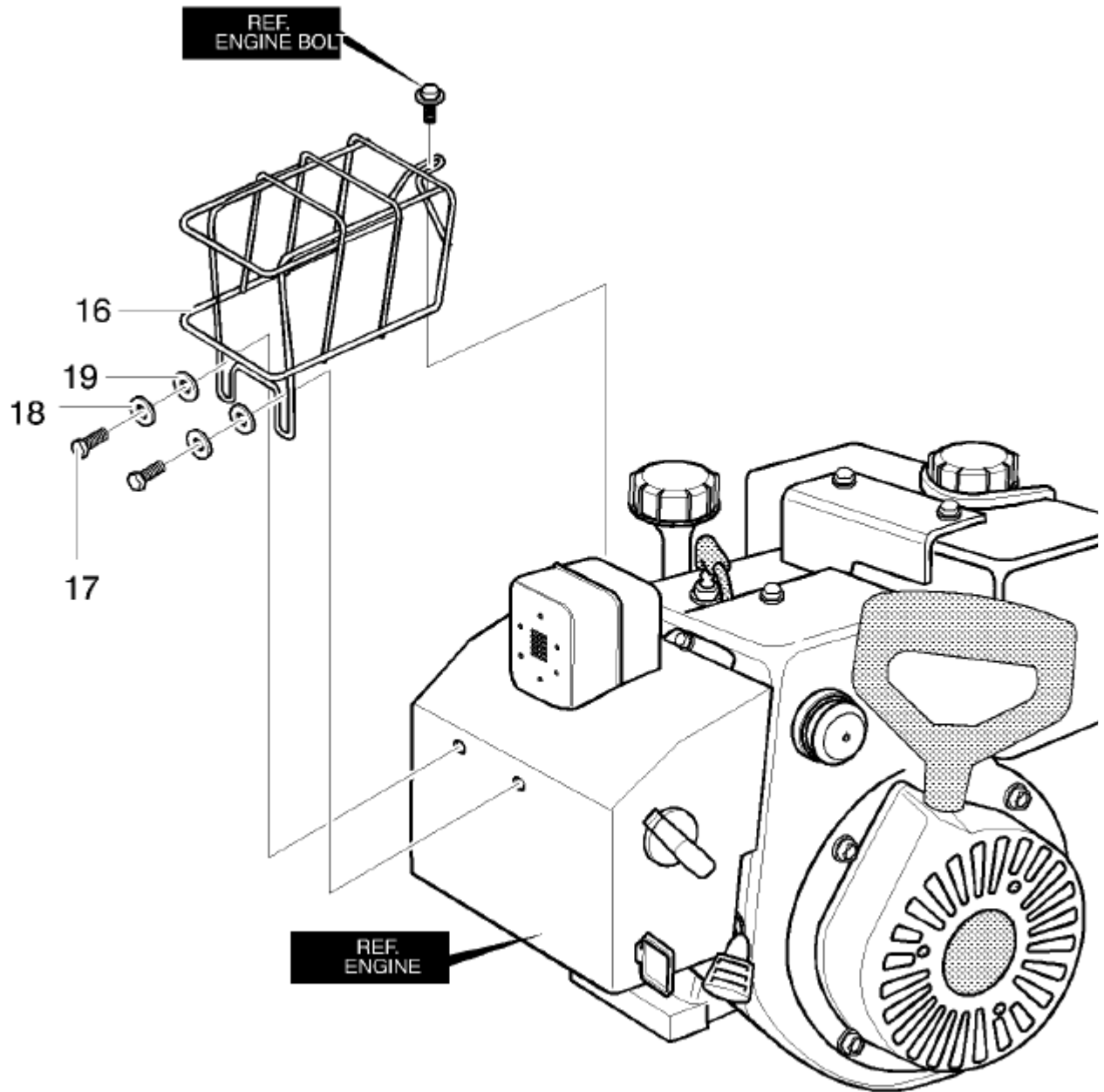


Supercessions	Ref #	Part #	<input checked="" type="checkbox"/> Description	<input checked="" type="checkbox"/> Qty	<input checked="" type="checkbox"/> Context Note	<input checked="" type="checkbox"/> Foot Note	<input checked="" type="checkbox"/> UOM
	720	5113E701MA Add to pick list	HANDLE, UPPER LH				
	721	5115E701MA Add to pick list	HANDLE, UPPER RH				
	723	71007 Add to pick list	SCREW, 3/8-16 X 2.00				
	724	7288MA Add to pick list	SCREW, 3/8-16 x 3.00				
	725	71072 Add to pick list	WASHER, FLAT				
	726	71062 Add to pick list	WASHER				
	727	71044 Add to pick list	NUT, 3/8-16 REGHEX				
	728	7289MA Add to pick list	STOP, PLASTIC				
	729	50792MA Add to pick list	GRIP-HANDLE FINGER				
	730	9729E701MA Add to pick list	LEVER, ASSY CLUTCH DRIVE RH				
	731	9732E701MA Add to pick list	LEVER, ASSY CLUTCH DRIVE LH				
	732	760074MA Add to pick list	PIN, PIVOT CLUTCH				
	733	3535MA Add to pick list	NUT, PUSH ON CAP				
	739	4049MA Add to pick list	BUMPER, RECTANGLE				
	740	1501124MA Add to pick list	CABLE, AUGER DRIVE				
	741	761590MA Add to pick list	CABLE, AUGER CLUTCH				
	743	313441MA Add to pick list	BRACKET, CABLE ADJUSTER				
	744	1673MA Add to pick list	SPRING, AUGER CLUTCH				
	745	15X145MA Add to pick list	NUT, 1/4-20				
	748	336626 Add to pick list	GRIP				
	750	5543E701MA Add to pick list	HANDLE, LOWER				
	754	25X021MA Add to pick list	SCREW				
	756	308146MA Add to pick list	BOOT, CABLE				
	758	001798 Add to pick list	BOLT, HEX 1/4-20 X 1.50 YZ				
	759	579860MA Add to pick list	SPOOL-CABLE, AUGRT CLUTCH				
	760	1501059 YZ Add to pick list	BRACKET, CABLE SPOOL YZ				

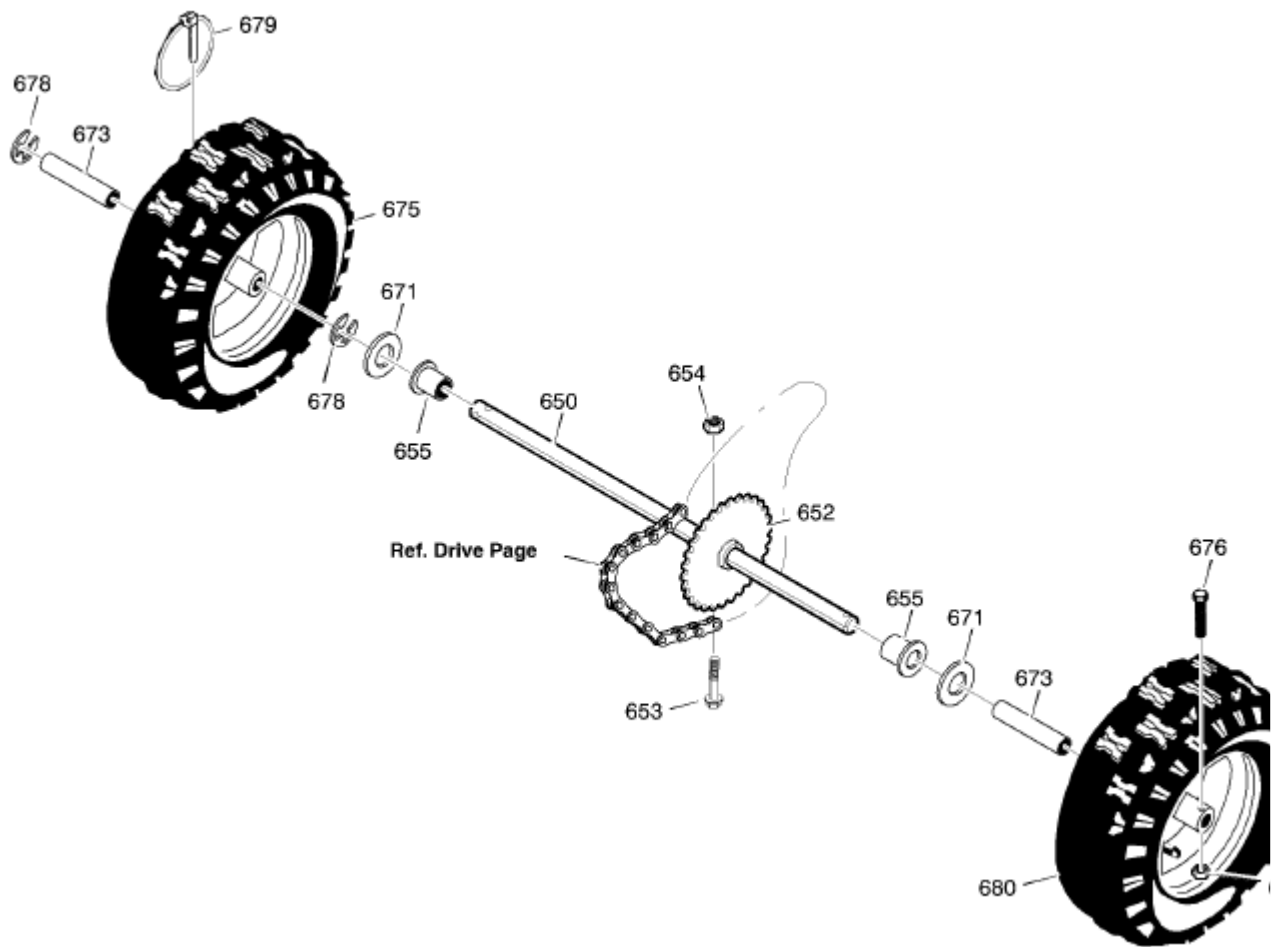
762 1501122MA CABLE, LOWER DRIVE
[Add to pick list](#) 12"





Ref #	Part #	<input checked="" type="checkbox"/> Description	<input checked="" type="checkbox"/> Qty	<input checked="" type="checkbox"/> Context Note	<input checked="" type="checkbox"/> Foot Note	<input checked="" type="checkbox"/> UOM
620	584727MA <i>Add to pick list</i>	CASE, HEADLIGHT				
621	762343MA <i>Add to pick list</i>	HEADLIGHT ASSY				
622	1501036MA <i>Add to pick list</i>	WIRE, HARNESS				
625	071372MA <i>Add to pick list</i>	CABLE TIE				
626	584728MA <i>Add to pick list</i>	BRACKET, HEADLAMP				
627	316042MA <i>Add to pick list</i>	SCREW				



Ref #	Part #	<input checked="" type="checkbox"/> Description	<input checked="" type="checkbox"/> Qty	<input checked="" type="checkbox"/> Context Note	<input checked="" type="checkbox"/> Foot Note	<input checked="" type="checkbox"/> UOM
16	304436 <i>Add to pick list</i>	GUARD, MUFFLER				
17	304807 <i>Add to pick list</i>	SCREW				
18	304810 <i>Add to pick list</i>	WASHER				
19	304809 <i>Add to pick list</i>	WASHER				



Supercessions	Ref #	Part #	<input checked="" type="checkbox"/> Description	<input checked="" type="checkbox"/> Qty	<input checked="" type="checkbox"/> Context Note	<input checked="" type="checkbox"/> Foot Note	<input checked="" type="checkbox"/> UOM
	650	1501563 Add to pick list	SHAFT, AXLE				
	652	1501089 Add to pick list	SPRKT & HUB				
	653	01X193MA Add to pick list	SCREW, 1/4-20 x 1.75				
	654	15X145MA Add to pick list	NUT, 1/4-20 HEX NYLOCK				
	655	1501114MA Add to pick list	BEARING, AXLE				
	671	712120MA Add to pick list	FLATWASHER				
	673	1501138MA Add to pick list	BUSHING, WHEEL				
	675	583384MA Add to pick list	TIRE & RIM, RIGHT				
	676	577015MA Add to pick list	SCREW, 1/4-20X1.75 HH				
	677	15X145MA Add to pick list	NUT, 1/4-20 HEX NYLOCK				
	678	239MA Add to pick list	RING, RET				
	679	73842MA Add to pick list	PIN, KLIK .25 X 1.38 DIA				
	680	583384MA Add to pick list	TIRE & RIM, LEFT				