


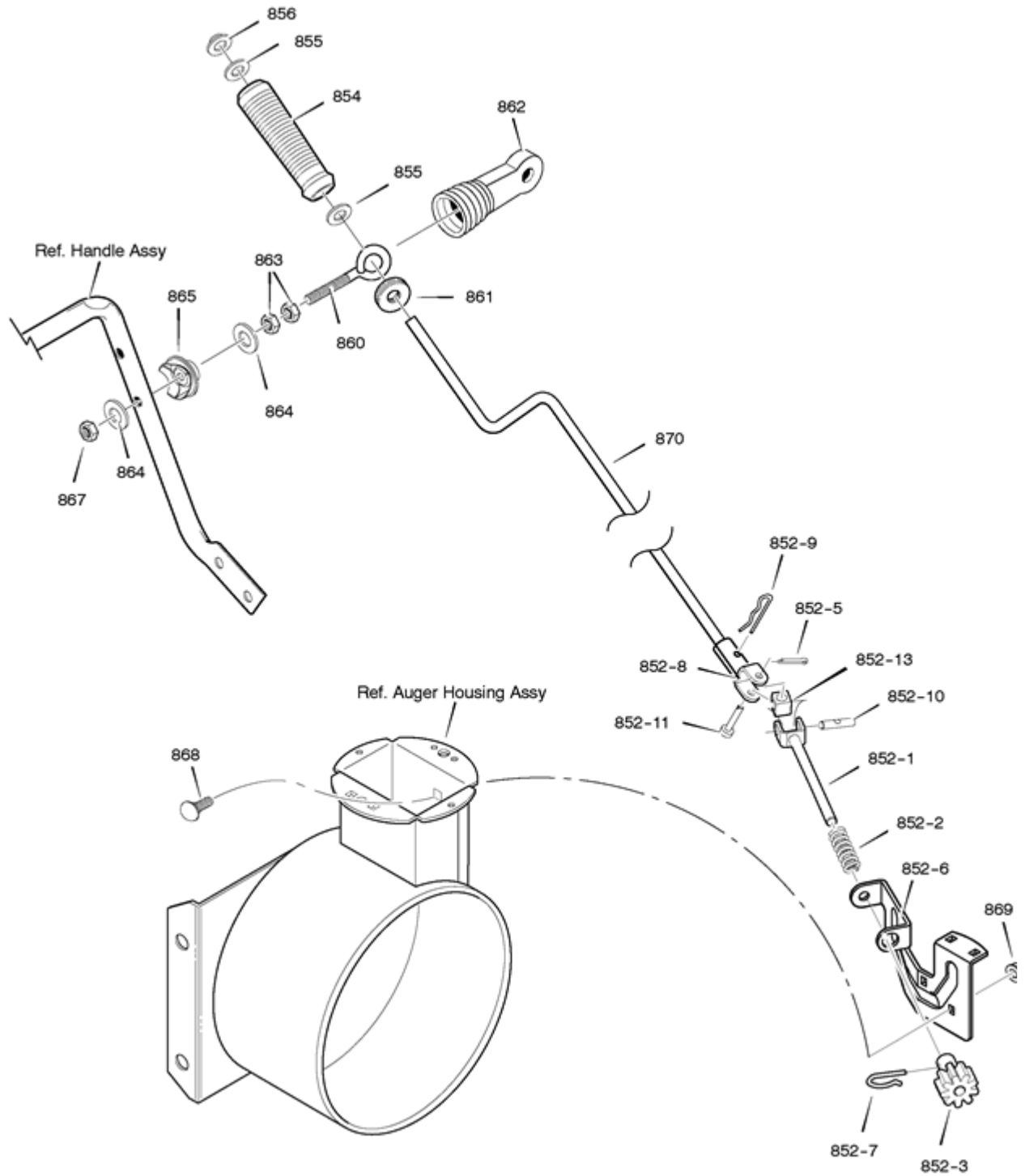
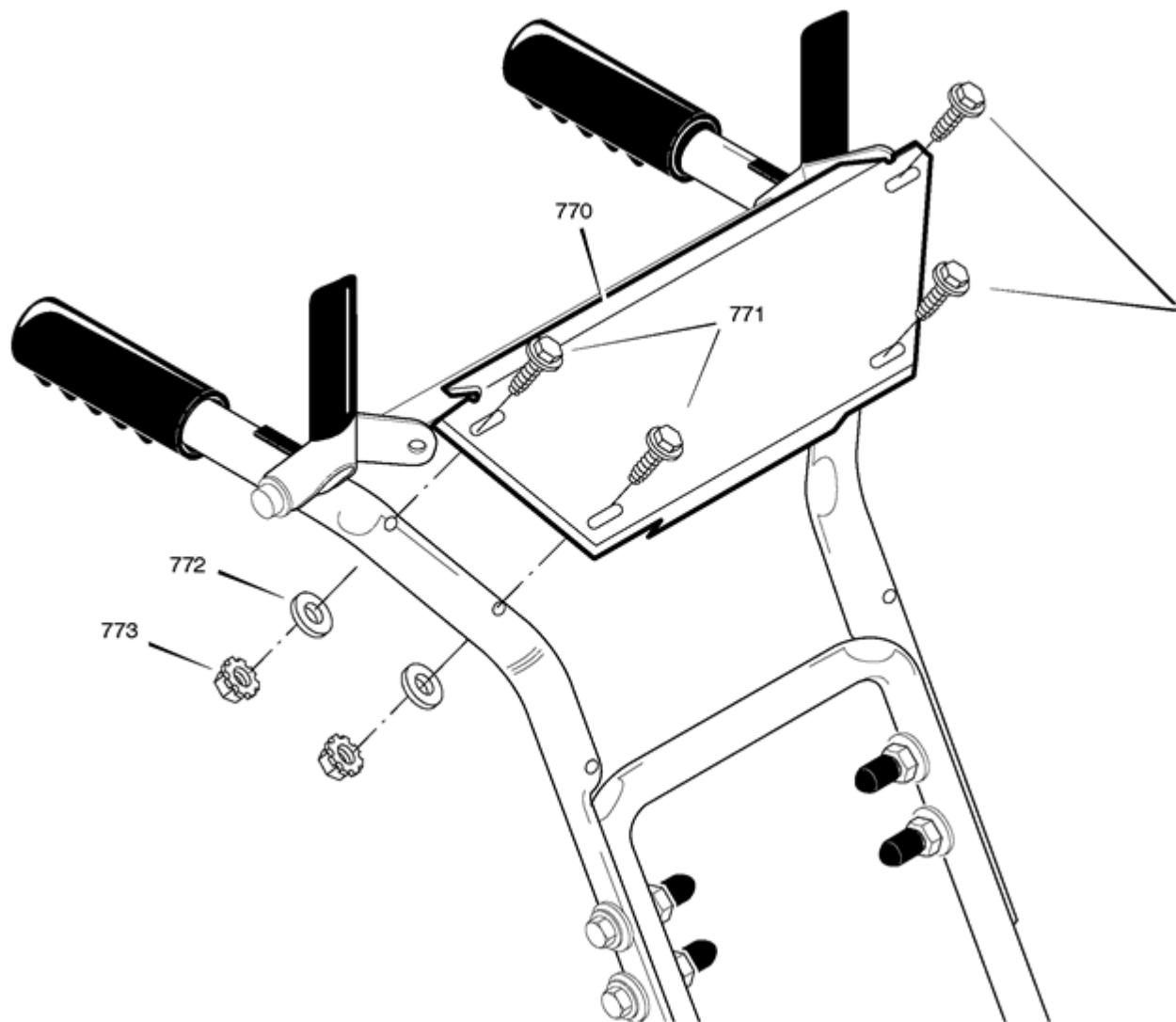






Supercessions	Ref #	Part #	<input checked="" type="checkbox"/>	<input checked="" type="checkbox"/>	<input checked="" type="checkbox"/>	<input checked="" type="checkbox"/>	<input checked="" type="checkbox"/>
			Description	Qty	Context Note	Foot Note	UOM
	480	762146MA Add to pick list	PULLEY, 4L 6.12X .67				
	481	577400MA Add to pick list	SCREW, 5/16-18 x 0.63				
	482	2001022MA Add to pick list	KEY, SQUARE 3/16 X 3/4				
	485	1501158MA Add to pick list	SPACER, FRICTION PULLEY				
	490	582957 YZ Add to pick list	RETAINER, BALL BRNG				
	491	1501389MA Add to pick list	BEARING, BALL				
	493	001X92MA Add to pick list	BOLT, HEX 5/16-18X .50				
	499	710026 Add to pick list	NUT, 5/16-18 HEXWDFLLK				
	500	1501717E540 Add to pick list	HOUSING, ASSY				
	510	581397E701MA Add to pick list	BLADE, SCRAPER				
	511	340714MA Add to pick list	BOLT, 1/4-20X.75				
	514	780285MA Add to pick list	NUT, 1/4-20				
	520	340518E701MA Add to pick list	AUGER, ASSY, LH				
	521	340523E701MA Add to pick list	AUGER, ASSY, RH				
	522	9524MA Add to pick list	SCREW, 1/4-20X1.75				
	523	3943MA Add to pick list	SPACER, SLEEVE				
	524	73826 Add to pick list	NUT, 1/4-20				
	525	9517MA Add to pick list	BEARING, FLANGE				
	526	711862MA Add to pick list	NUT, 5/16-18				
	527	9357MA Add to pick list	SCREW, 5/16-18 x 0.75				
	540	301380E701 Add to pick list	SKID, HEIGHT ADJUST				
	541	340720MA Add to pick list	BOLT, 5/16-18 X .75				
	544	710026 Add to pick list	NUT, 5/16-18				
	550	1501576MA Add to pick list	BRUSH, CLEANOUT				
	551	1501672MA Add to pick list	CLIP, RETAINER				
	552	06X115MA Add to pick list	SCREW				

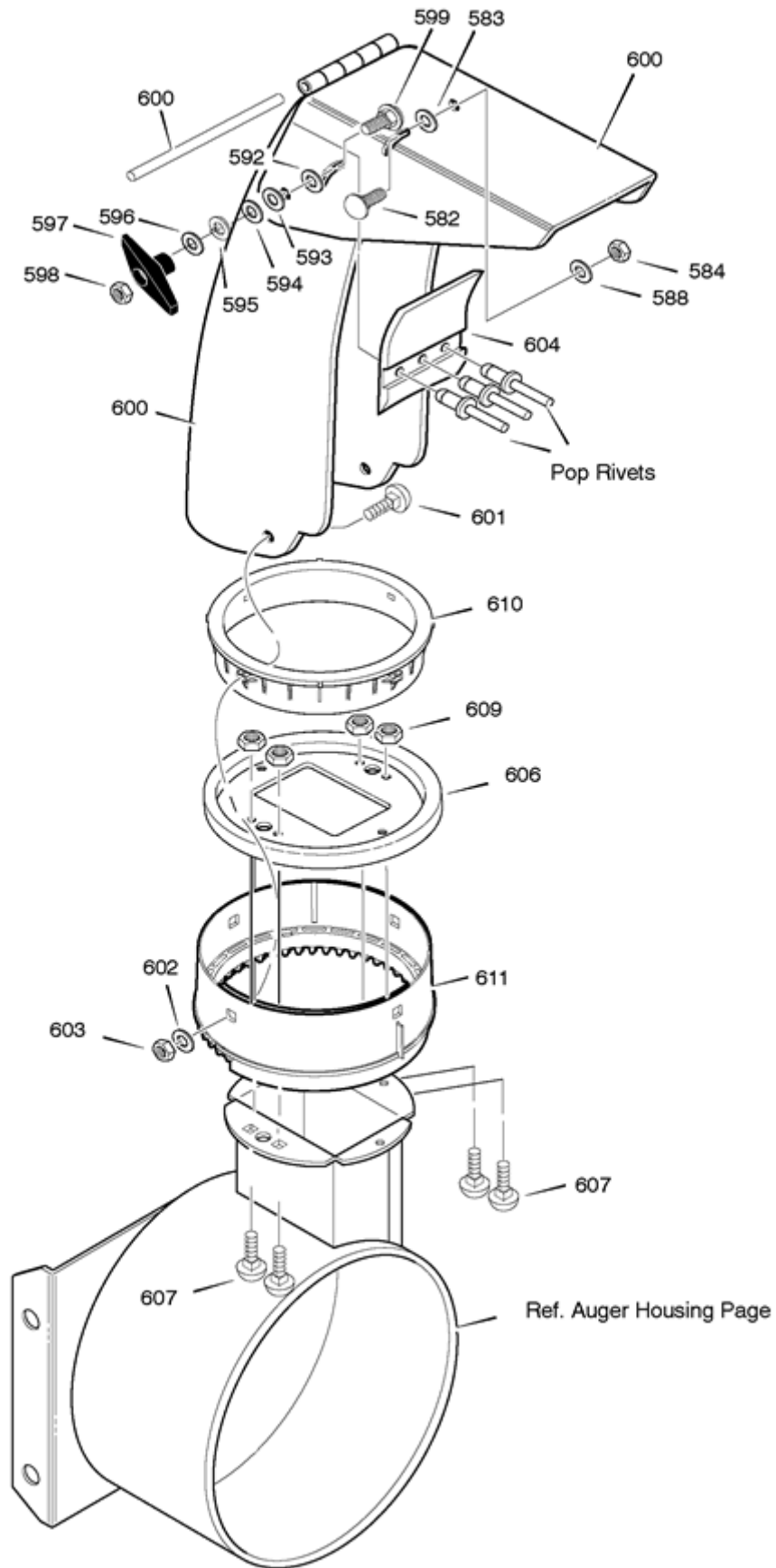
	553	15X146MA Add to pick list	NUT					
	554	578063MA Add to pick list	BLOCK					
	--	1501216MA Add to pick list	KIT, SHEAR BOLT					



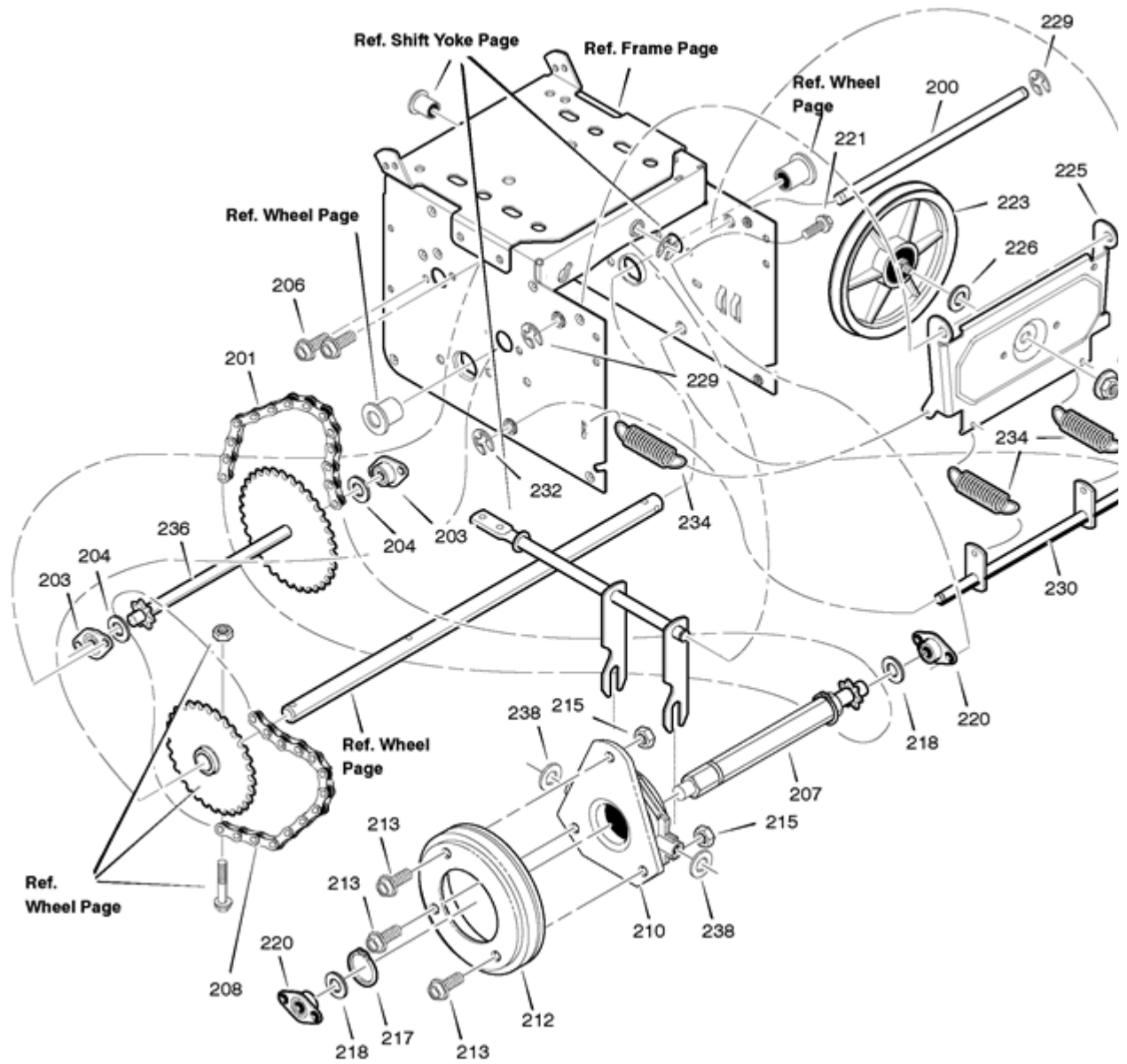
Supercessions	Ref #	Part #	<input checked="" type="checkbox"/> Description	<input checked="" type="checkbox"/> Qty	<input checked="" type="checkbox"/> Context Note	<input checked="" type="checkbox"/> Foot Note	<input checked="" type="checkbox"/> UOM
	852-1	1501533 YZ Add to pick list	ASSEMBLY, YOKE & ROD				
	852-2	164X37MA Add to pick list	SPRING				
	852-3	1501067MA Add to pick list	GEAR, CHUTE ROTATION 9T				
	852-4	17X170MA Add to pick list	WASHER				
	852-5	579493MA Add to pick list	PIN, COTTER				
	852-6	1501306E701MA Add to pick list	BRACKET, CHUTE GEAR				
	852-7	1501293MA Add to pick list	PIN, HAIR				
	852-8	1501075 YZ Add to pick list	ASSEMBLY, YOKE ADAPTER YZ				
	852-9	711682MA Add to pick list	PIN, HAIR				
	852-10	578060MA Add to pick list	PIN, UNIVERSAL JOINT				
	852-11	578309MA Add to pick list	PIN, CLEVIS				
	852-13	578063MA Add to pick list	HOUSING, UNIVERSAL				
	854	307399MA Add to pick list	KNOB, SLEEVE				
	855	309312MA Add to pick list	FLATWASHER				
	856	73664MA Add to pick list	NUT, PUSH ON 3/8"				
	860	581456 Add to pick list	EYE BOLT 3/8-16X6.50				
	861	148MA Add to pick list	GROMMET, EYE BOLT				
	862	1501457MA Add to pick list	BOOT, EYE BOLT				
	863	71045 Add to pick list	NUT, 3/8-16 HEXJAM				
	864	71072 Add to pick list	FLATWASHER .406X.81X.066				
	865	309344MA Add to pick list	ADAPTER, BOOT				
	867	71046 Add to pick list	NUT, 3/8-16 HEXNYL				
	868	002X98MA Add to pick list	BOLT, CARRIAGE 1/4-20 X 1.00				
	869	15X145MA Add to pick list	NUT, 1/4-20				
	870	1501074 YZ Add to pick list	CRANK, ASSY CHUTE				



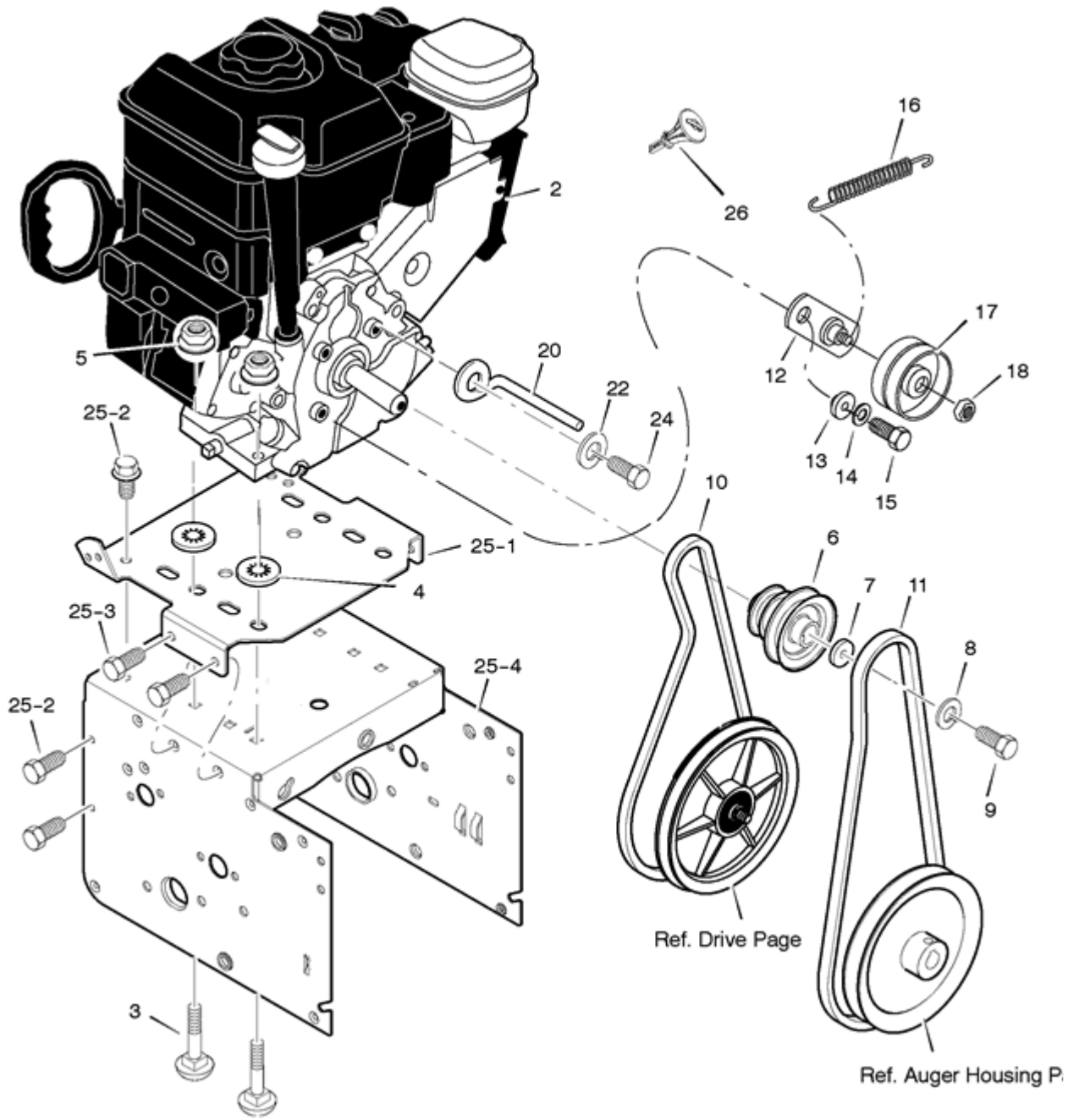
Supercessions	Ref #	Part #	<input checked="" type="checkbox"/> Description	<input checked="" type="checkbox"/> Qty	<input checked="" type="checkbox"/> Context Note	<input checked="" type="checkbox"/> Foot Note	<input checked="" type="checkbox"/> UOM
	770	762329E540 <i>Add to pick list</i>	PANEL				
	771	001798 <i>Add to pick list</i>	SCREW				
	772	71067 <i>Add to pick list</i>	WASHER				
	773	15X145MA <i>Add to pick list</i>	NUT				



Supercessions	Ref #	Part #	<input checked="" type="checkbox"/> Description	<input checked="" type="checkbox"/> Qty	<input checked="" type="checkbox"/> Context Note	<input checked="" type="checkbox"/> Foot Note	<input checked="" type="checkbox"/> UOM
	582	340720MA Add to pick list	BOLT, CARRIAGE 5/16-18 X.75				
	583	12021 Add to pick list	WASHER, PLASTIC				
	584	71038 Add to pick list	NUT, 5/16-18 REGHEX NYLOCK				
	588	6711MA Add to pick list	WASHER, PLASTIC				
	592	12021 Add to pick list	WASHER, PLASTIC				
	593	6711MA Add to pick list	WASHER, PLASTIC				
	594	71071 Add to pick list	WASHER, FLAT				
	595	71060 Add to pick list	WASHER, SPLIT				
	596	71071 Add to pick list	WASHER, FLAT				
	597	57171 Add to pick list	KNOB, T 3.00				
	598	15X144 Add to pick list	NUT, 5/16-18 REGHEX				
	599	002X97MA Add to pick list	BOLT, 5/16-18X1.50				
	600	1502119E701 Add to pick list	CHUTE ASSEMBLY AND GUARD				
	601	02X100 Add to pick list	BOLT, 5/16-18 X1.00				
	602	71071 Add to pick list	WASHER, FLAT				
	603	71038 Add to pick list	NUT, 5/16-18 HEXNYL				
	604	760268MA Add to pick list	FLAP, CHUTE				
	606	1501932 YZ Add to pick list	CHUTE COLLAR				
	607	02X101MA Add to pick list	SCREW, 1/4-20 X 0.75				
	609	15X145MA Add to pick list	NUT, 1/4-20 HEX NYLOCK				
	610	337227MA Add to pick list	RETAINER RING INNER				
	611	1501282MA Add to pick list	RETAINER RING OUTER				



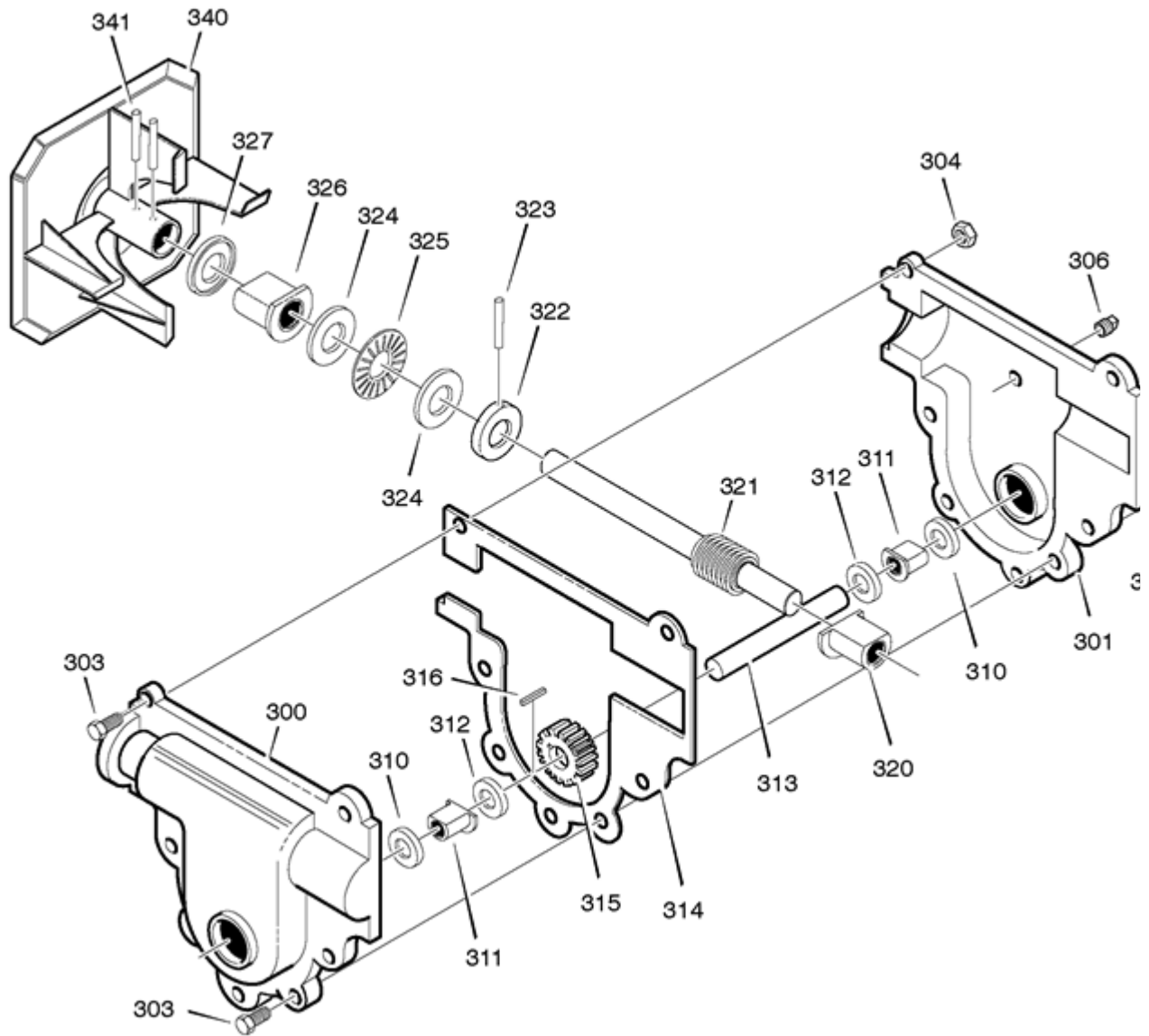
Supercessions	Ref #	Part #	<input checked="" type="checkbox"/> Description	<input checked="" type="checkbox"/> Qty	<input checked="" type="checkbox"/> Context Note	<input checked="" type="checkbox"/> Foot Note	<input checked="" type="checkbox"/> UOM
	200	1501092 YZ Add to pick list	LF AXLE, SWING PLATE YZ				
	201	579851MA Add to pick list	CHAIN, ROLLER #420x19.00				
	203	334163MA Add to pick list	BEARING AND RETAINER, ASSY				
	204	579858MA Add to pick list	WASHER				
	206	25X020MA Add to pick list	SCREW, TAP 5/16-18 x 0.5				
	207	1501236MA Add to pick list	ASSY, HEX SHAFT				
	208	579868MA Add to pick list	CHAIN, ROLLER #420x18.00 LG				
	210	337029MA Add to pick list	BEARING, TRUNION CLUTCH R				
	212	1501435MA Add to pick list	WHEEL, FRICTION DISC				
	213	001X38MA Add to pick list	BOLT				
	215	303008MA Add to pick list	NUT, KEPS HEX 1/4- 20				
	217	579859MA Add to pick list	RING, RETEXT				
	218	579858MA Add to pick list	WASHER				
	220	334163MA Add to pick list	BEARING AND RETAINER, ASSY				
	221	25X020MA Add to pick list	SCREW, TAP 5/16-18 x .5				
	223	1501115MA Add to pick list	FRICTION PULLY				
	225	1501057 YZ Add to pick list	LF PLATE, SWINGING YZ				
	226	1501158MA Add to pick list	SPACER, FRICTION PULLEY				
	227	15X114 Add to pick list	NUT, FLANGE LOCK 3/8-24				
	229	11X30MA Add to pick list	RETAINER, RING				
	230	1502105 YZ Add to pick list	LF ASSY, SPRING LINK YZ				
	232	11X30MA Add to pick list	RETAINER, RING				
	234	165X112MA Add to pick list	SPRING, EXTENSION				
	236	1501237 Add to pick list	WLD, INTERMED SPROCKET 33T/7				
	238	71074 Add to pick list	WASHER, FLAT				



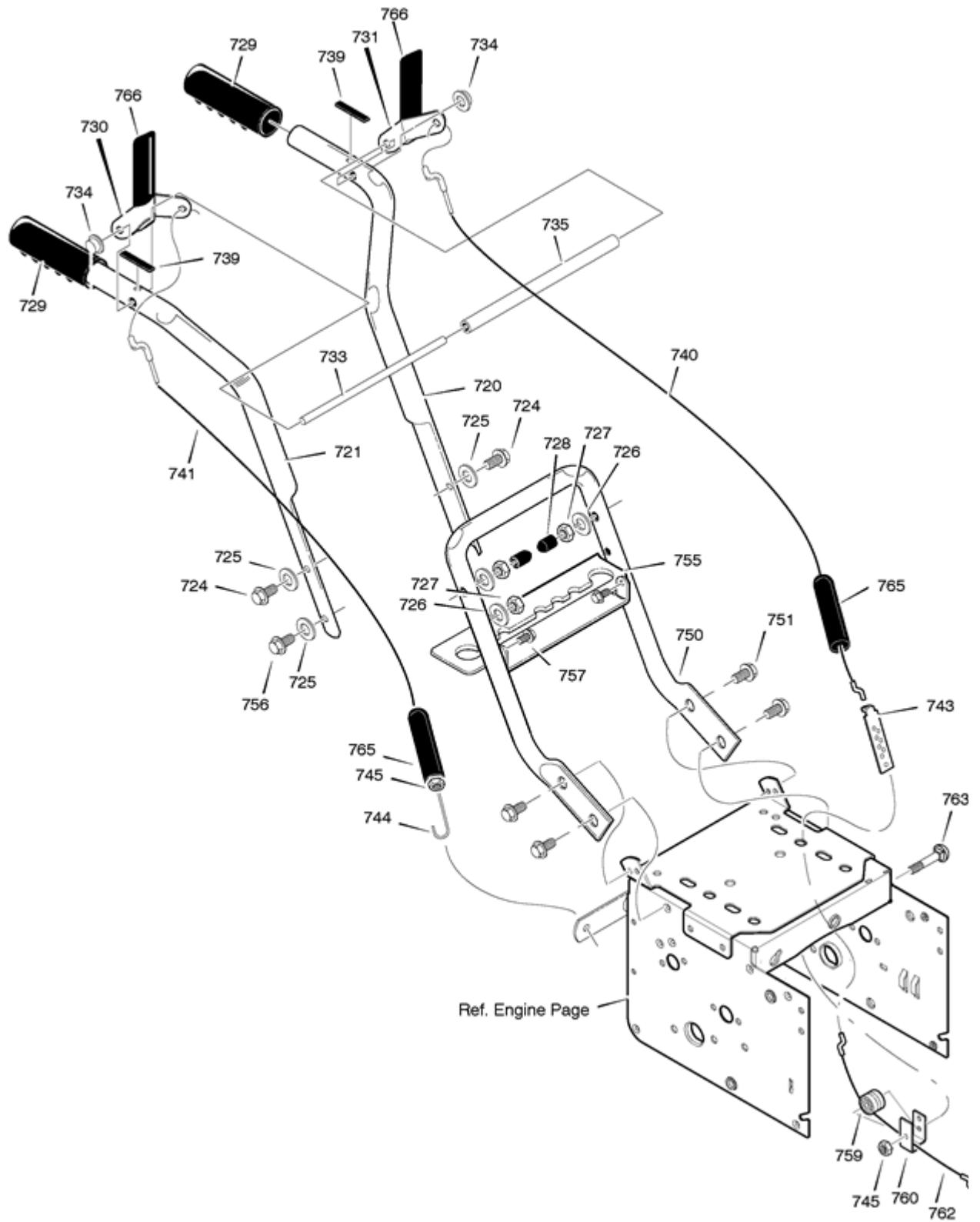
Supercessions	Ref #	Part #	<input checked="" type="checkbox"/> Description	<input checked="" type="checkbox"/> Qty	<input checked="" type="checkbox"/> Context Note	<input checked="" type="checkbox"/> Foot Note	<input checked="" type="checkbox"/> UOM
	2	----- Add to pick list	ENGINE				
↷	3	002X97MA Add to pick list	BOLT, CARRIAGE 5/16-18				
↷	4	028X76MA Add to pick list	RETAINER, PUSH				
↷	5	710026 Add to pick list	NUT 5/16-18				
↷	6	1501109MA Add to pick list	PULLEY, ENGINE				
↷	7	710247 Add to pick list	WASHER				
↷	8	71063 Add to pick list	WASHER .38ID				
↷	9	71015 Add to pick list	SCREW, 3/8-24 x 1.00				
↷	10	579932MA Add to pick list	BELT, V 3L				
↷	11	37X120MA Add to pick list	BELT, V 4L				
↷	12	1501112 YZ Add to pick list	BRACKET ASSEMBLY, IDLER				
↷	13	1501065MA Add to pick list	BUSHING, IDLER BRACKET				
↷	14	71060 Add to pick list	WASHER, SPLIT				
↷	15	710097 Add to pick list	SCREW 5/16-24 X 0.75				
↷	16	53704MA Add to pick list	SPRING, IDLER TRACTION DRIVE				
↷	17	1502120 Add to pick list	PULLEY, IDLER				
↷	18	590 Add to pick list	NUT, JAM 3/8-16				
↷	20	1501201MA Add to pick list	GUIDE, BELT				
↷	22	71060 Add to pick list	WASHER .31X.58X.08				
↷	24	710097 Add to pick list	SCREW, 5/16-24 x 0.75				
	25	----- Add to pick list	FRAME, MOTORBOX (5-11HP)				
	25-1	1501062E540 Add to pick list	PLATE, ENGINE MOUNT				
↷	25-2	310169MA Add to pick list	SCREW, TAP 1/4-20 X .63				
↷	25-3	25X020MA Add to pick list	SCREW, TAP 5/16-18 X .50				
↷	25-4	1501050E540 Add to pick list	FRAME, MOTOR BOX				
	26	695756 Add to pick list	KEY, BRIGGS ENGINE				

-- F-051054L OWNER'S MANUAL
Add to pick list





Supercessions	Ref #	Part #	<input checked="" type="checkbox"/> Description	<input checked="" type="checkbox"/> Qty	<input checked="" type="checkbox"/> Context Note	<input checked="" type="checkbox"/> Foot Note	<input checked="" type="checkbox"/> UOM
	90	1501055E701MA Add to pick list	COVER, BOTTOM				
	91	310169MA Add to pick list	SCREW, 1/4-20X .63				
	103	1501111 YZ Add to pick list	IDLER ASSEMBLY, AUGER				
	105	711682MA Add to pick list	PIN, HAIR .38DIA X 1.64LG				
	106	761761MA Add to pick list	PIN, CLEVIS 3/16" DIA				
	107	165X160MA Add to pick list	SPRING, TENSION				
	108	761675 YZ Add to pick list	ASSY., SPRING ATTACH				
	110	585781MA Add to pick list	BOLT, 3/8-16X1.25 CARR.				
	111	711617 Add to pick list	WASHER, FLAT				
	122	25X020MA Add to pick list	SCREW, TAP 5/16- 18 X 0.50				
	123	25X021MA Add to pick list	SCREW, TAP 5/16- 18 X 0.75				
	148	1502120 Add to pick list	PULLEY, IDLER				
	149	590 Add to pick list	NUT, JAM 3/8-16				
	160	1502169 Add to pick list	COVER, BELT				
	162	26X306MA Add to pick list	SCREW, TAP				
	166	71067 Add to pick list	WASHER, FLAT				
	168	1502041 Add to pick list	SPACER, AUGER BRACKET				

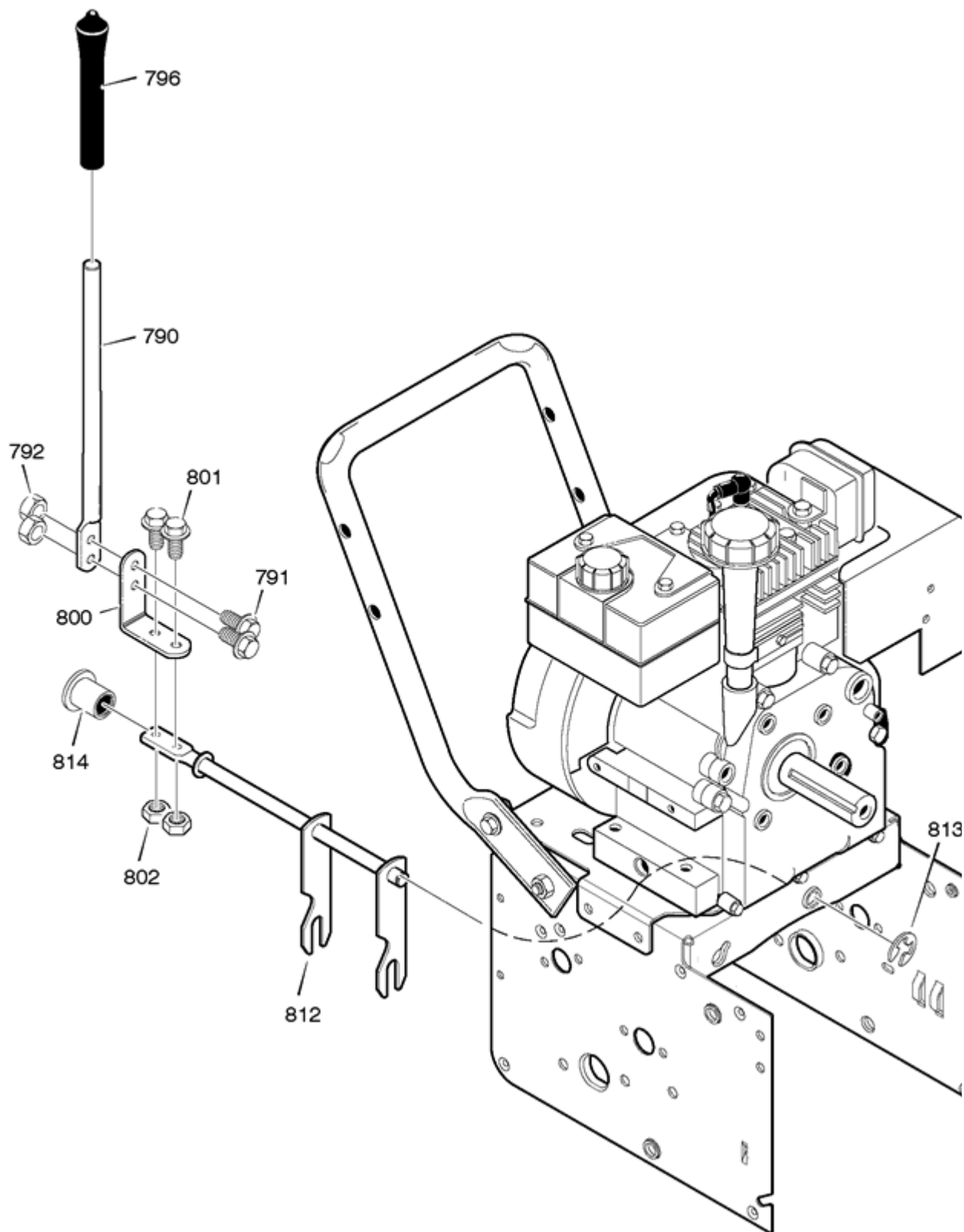


Supercessions	Ref #	Part #	<input checked="" type="checkbox"/> Description	<input checked="" type="checkbox"/> Qty	<input checked="" type="checkbox"/> Context Note	<input checked="" type="checkbox"/> Foot Note	<input checked="" type="checkbox"/> UOM
	300	10577MA Add to pick list	CASE, GEAR, RH				
	301	10576MA Add to pick list	CASE, GEAR, LH				
	303	710025 Add to pick list	SCREW,1/4-20X.75				
	304	15X143MA Add to pick list	NUT,1/4-20				
	306	9344MA Add to pick list	SCREW, 3/8-16 x 0.50				
	310	9566MA Add to pick list	SEAL, OIL				
	311	50304MA Add to pick list	BEARING, FL				
	312	48275MA Add to pick list	WASHER, FLAT				
	313	340286MA Add to pick list	SHAFT, AUGER OUTPUT				
	314	51279MA Add to pick list	GASKET, GEAR BOX				
	315	51405MA Add to pick list	GEAR, WORM				
	316	431787MA Add to pick list	KEY, WOODRUFF #61				
	320	50221MA Add to pick list	BRNG, FL				
	321	1501128MA Add to pick list	SHAFT, AUGER INPUT (IMPELLER)				
	322	580295MA Add to pick list	COLLAR, THRUST				
	323	454565MA Add to pick list	PIN, SPRING				
	324	48275MA Add to pick list	WASHER, FLAT				
	325	50684MA Add to pick list	BRNG, ROLL				
	326	50304MA Add to pick list	BRNG, FL				
	327	9566MA Add to pick list	SEAL, OIL				
	340	760194E701MA Add to pick list	IMPELLER				
	341	454565MA Add to pick list	PIN, SPRING				
	--	333431MA Add to pick list	10oz TUBE LUBRIPLATE		(Not Illustrated)		

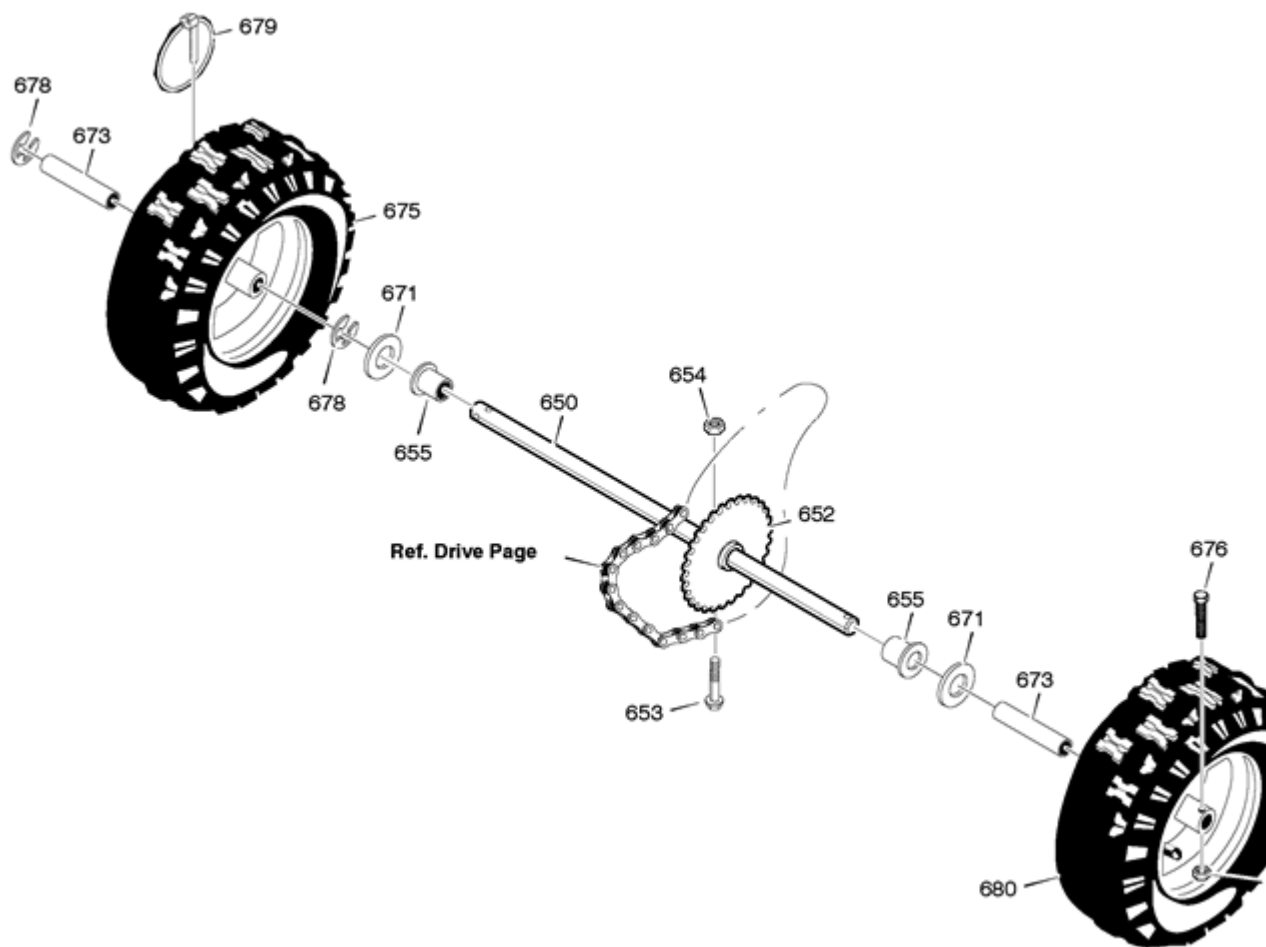















Supercessions	Ref #	Part #	Description	Qty	Context Note	Foot Note	UOM
	720	1501205E701MA Add to pick list	HANDLE, UPPER LH				
	721	1501206E701MA Add to pick list	HANDLE, UPPER RH				
	724	11234MA Add to pick list	SCREW, 5/16-18 x 2.75				
	725	71071 Add to pick list	WASHER, FLAT				
	726	71060 Add to pick list	WASHER, SPTLK .31X.58X.08				
	727	15X144 Add to pick list	NUT, 5/16-18 REGHEX				
	728	11261MA Add to pick list	STOP, RED PLASTIC				
	729	337399MA Add to pick list	GRIP-HANDLE FINGER				
	730	337816E701MA Add to pick list	LEVER, ASSY CLUTCH DRIVE RH				
	731	337815E701MA Add to pick list	LEVER, ASSY CLUTCH DRIVE LH				
	733	337381MA Add to pick list	ROD, PIVOT CLUTCH				
	734	761105MA Add to pick list	NUT, PUSH ON CAP				
	735	337373MA Add to pick list	SPACER-HANDLE				
	739	4049MA Add to pick list	BUMPER, RECTANGLE				
	740	1501123MA Add to pick list	CABLE, CLUTCH 28.44L				
	741	761872MA Add to pick list	CABLE, AUGER CLUTCH				
	743	313441MA Add to pick list	BRACKET, CABLE ADJUSTER				
	744	1673MA Add to pick list	SPRING, AUGER CLUTCH				
	745	15X145MA Add to pick list	NUT, 1/4-20				
	750	339541E701MA Add to pick list	HANDLE, LOWER				
	751	25X021MA Add to pick list	SCREW				
	755	337407E701MA Add to pick list	BRKT, GEAR SELECTOR				
	756	6751 Add to pick list	SCREW, 5/16-18 x 2.00				
	757	310169MA Add to pick list	SCREW, 1/4-20 X 0.63				
	759	579860MA Add to pick list	SPOOL-CABLE, AUGER CLUTCH				
	760	1501059 YZ Add to pick list	BRACKET, CABLE SPOOL YZ				

	762	1501122MA Add to pick list	CABLE, LOWER DRIVE 12"				
	763	001798 Add to pick list	BOLT, HEX 1/4-20 X 1.50 YZ				
	765	308146MA Add to pick list	BOOT, CLUTCH SPRING				
	766	337380MA Add to pick list	GRIP				



Supercessions	Ref #	Part #	<input checked="" type="checkbox"/> Description	<input checked="" type="checkbox"/> Qty	<input checked="" type="checkbox"/> Context Note	<input checked="" type="checkbox"/> Foot Note	<input checked="" type="checkbox"/> UOM
	790	762299E701 Add to pick list	ROD, SHIFT				
	791	302628MA Add to pick list	SCREW, 1/4-20X.75				
	792	73826 Add to pick list	NUT, 1/4-20				
	796	331624MA Add to pick list	KNOB, SLIP				
	800	760564MA Add to pick list	LEVER, SPRING				
	801	302628MA Add to pick list	SCREW, 1/4-20X.75				
	802	73826 Add to pick list	NUT, 1/4-20				
	812	1501085 YZ Add to pick list	ROD ASSY., SPEED SELECT				
	813	11X30MA Add to pick list	RETAINER, RING				
	814	579944MA Add to pick list	BEARING, FLANGED				



Supercessions	Ref #	Part #	<input checked="" type="checkbox"/> Description	<input checked="" type="checkbox"/> Qty	<input checked="" type="checkbox"/> Context Note	<input checked="" type="checkbox"/> Foot Note	<input checked="" type="checkbox"/> UOM
	650	1501562 Add to pick list	SHAFT, AXLE				
	652	1501089 Add to pick list	SPRKT & HUB				
	653	01X193MA Add to pick list	SCREW, 1/4-20 x 1.75				
	654	15X145MA Add to pick list	NUT, 1/4-20 HEX NYLOCK				
	655	1501114MA Add to pick list	BEARING, AXLE				
	671	017X83MA Add to pick list	FLATWASHER				
	673	1501139MA Add to pick list	BUSHING, WHEEL				
	675	1501828 Add to pick list	TIRE & RIM, RIGHT				
	676	577015MA Add to pick list	SCREW, 1/4-20X1.75 HH				
	677	15X145MA Add to pick list	NUT, 1/4-20 HEX NYLOCK				
	678	239MA Add to pick list	RING, RET				
	679	73842MA Add to pick list	PIN, KLIK .25 X 1.38 DIA				
	680	1501829 Add to pick list	TIRE & RIM, LEFT				