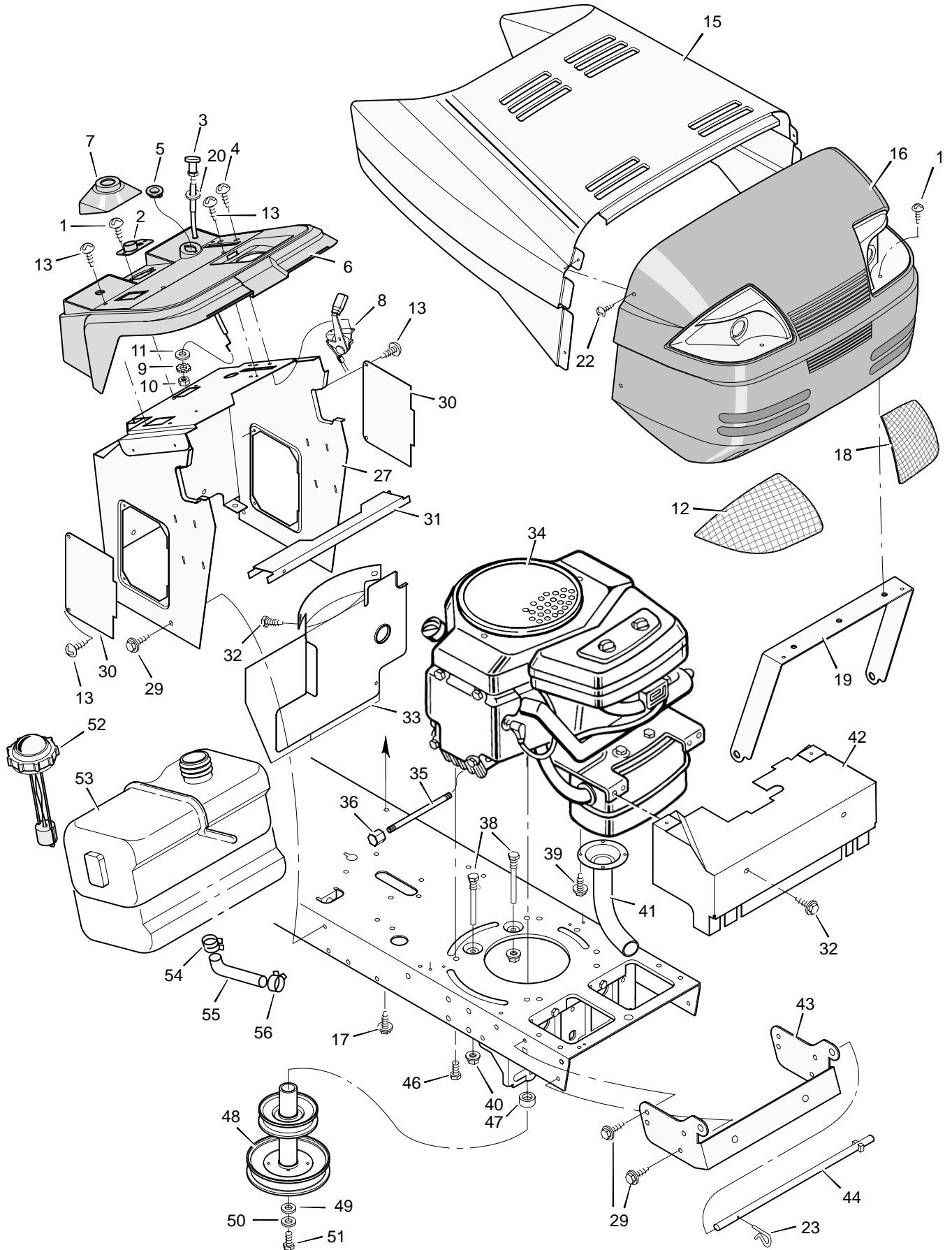


MODEL 46400x65A

REPAIR PARTS HOOD & ENGINE MOUNT



MODEL 46400x65A

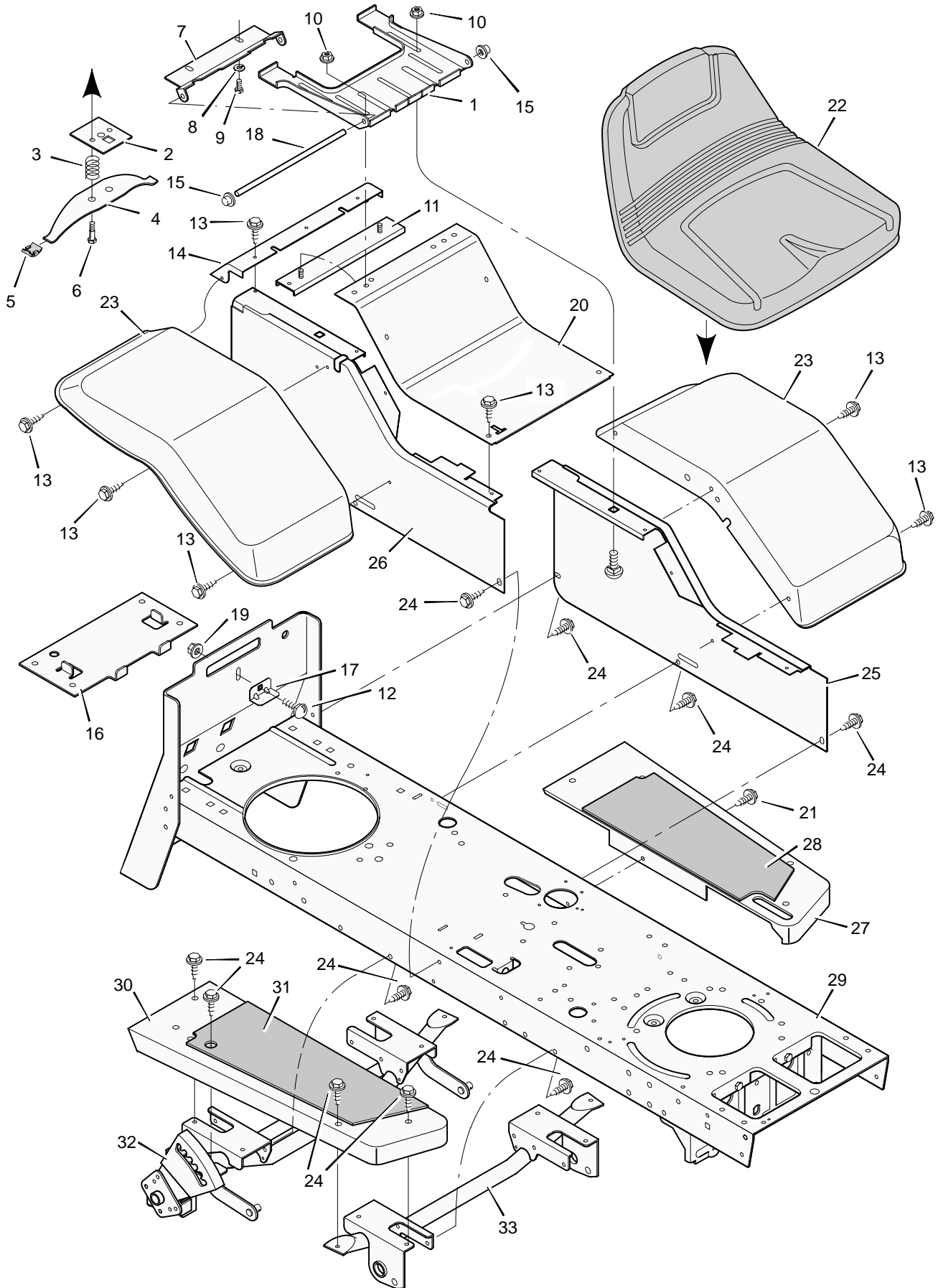
REPAIR PARTS HOOD & ENGINE MOUNT

Key No.	Description	Part No.	Key No.	Description	Part No.
1	Screw	26x239	32	Screw	25x2
2	Bearing, Steering Post	93144	33	Baffle, Rear Heat	93214E701
3	Cable, Choke	91326	34	Engine *	—————
4	Screw	26x201	35	Oil Drain Extension	56261
5	Bushing	55717	36	Oil Drain Cap	21651
6	Dash	93143	38	Guide, Belt	91754Z
7	Support, Bellows	93176	39	Screw	26x208Z
8	Throttle Control	93165	40	Locknut, Flange	15x88
9	Lockwasher	19x8	41	Pipe, Exhaust	23743E701
10	Nut, Hex	15x33	42	Shield, Heat	93188E701
11	Washer	17x52Z	43	Support, Grille	93257E701
12	Lens, Right	92539	44	Rod, Pivot	93192Z
13	Screw	26x270	46	Bolt, Hex	25x7
15	Hood	93215E245	47	Spacer, Engine	93077
16	Grille (Includes Lens)	92542	48	Pulley Assembly, Stack	93246Z
17	Screw	26x263	49	Washer	17x170
18	Lens, Left	92540	50	Lockwasher	19x35
19	Brace, Grille	92541Z	51	Bolt, Hex	1x140
20	Washer	17x185	52	Cap, Fuel	91349
22	Screw	9x47	53	Fuel Tank	93148
23	Pin, Hair	31x4	54	Clamp, Hose	91174
27	Console Assembly	93163E701	55	Fuel Line	93197
29	Screw	26x249	56	Clamp, Hose	23713
30	Panel, Side Access	93007E701	—	Book, Instruction	F-96869
31	Support, Fuel Tank	91329E701	—	Repair Parts Book	F-96870

* Parts are available from a Briggs & Stratton Authorized Service Center. See "Engines, Gasoline" or "Gasoline Engines" in the yellow pages of the telephone directory.

MODEL 46400x65A

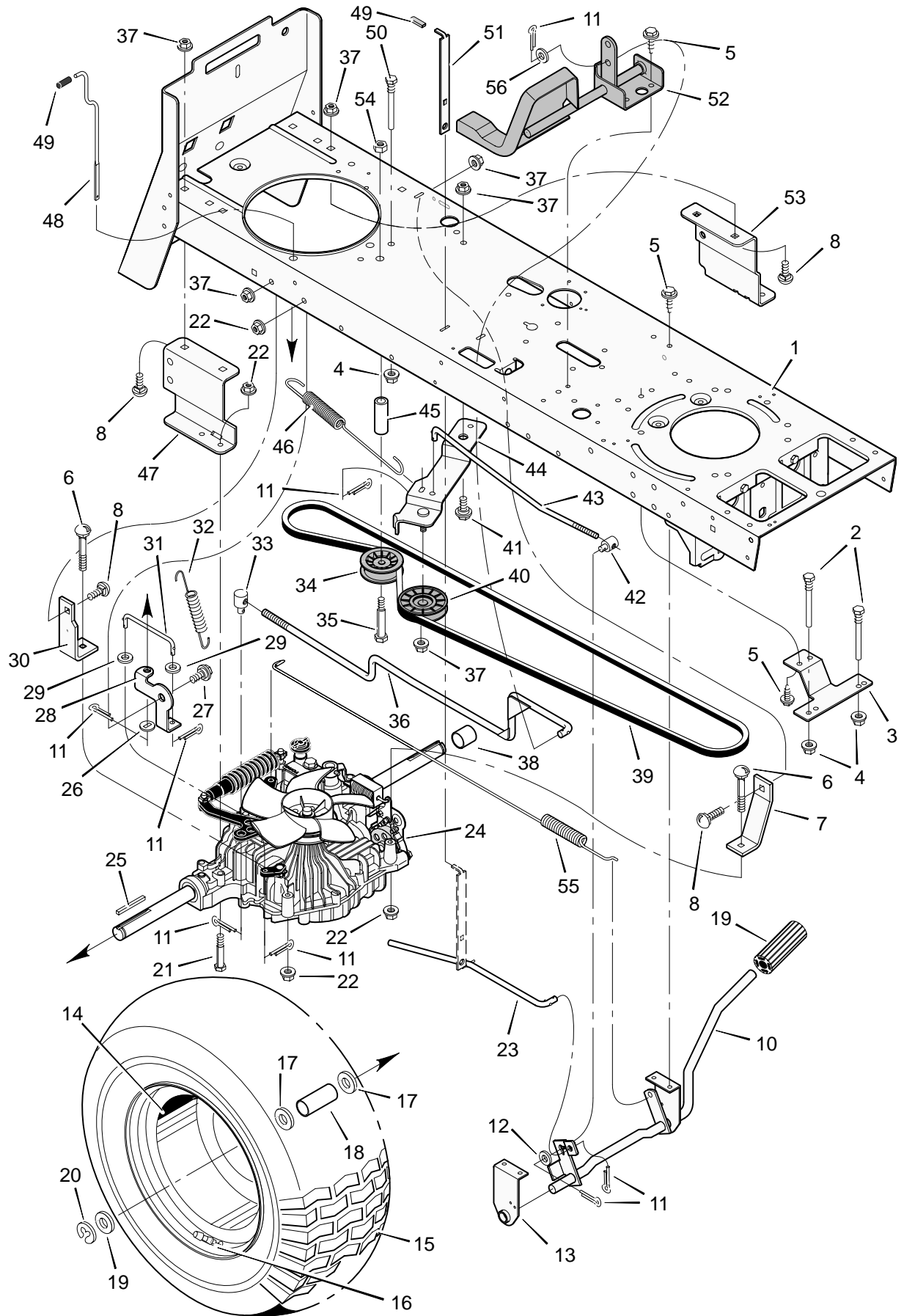
REPAIR PARTS BODY CHASSIS



Key No.	Description	Part No.
1	Bracket, Seat	92546E701
2	Plate Assembly, Switch	91963Z
3	Spring, Compression	164x26
4	Spring, Seat	91964
5	Glide, Spring	91822
6	Bolt, Shoulder	9x38
7	Support, Seat	92334E701
8	Lockwasher	18x16
9	Bolt, Hex	1x45
10	Locknut, Flange	15x88
11	Channel Assembly	92601E701
12	Bolt, Carriage	2x53
13	Screw	26x263
14	Insert, Rear	93043E701
15	Push On Cap	28x23
16	Support, Battery	93331E701
17	Clamp, Battery	93336Z
18	Rod, Pivot	91730Z
19	Locknut	15x76
20	Panel, Top	93222E701
21	Fastener, Panel	193x1
22	Seat	92606
23	Fender	23006E245
24	Screw	26x249
25	Panel, Left	93345E701
26	Panel, Right	93344E701
27	Running Board, Left	93011E245
28	Mat, Left	93071
29	Frame Channel	403353
30	Running Board, Right	93010E245
31	Mat, Right	93070
32	Lifter and Support Assembly	93114E701
33	Support Assembly, Front	93013E701

MODEL 46400x65A

REPAIR PARTS MOTION DRIVE



MODEL 46400x65A

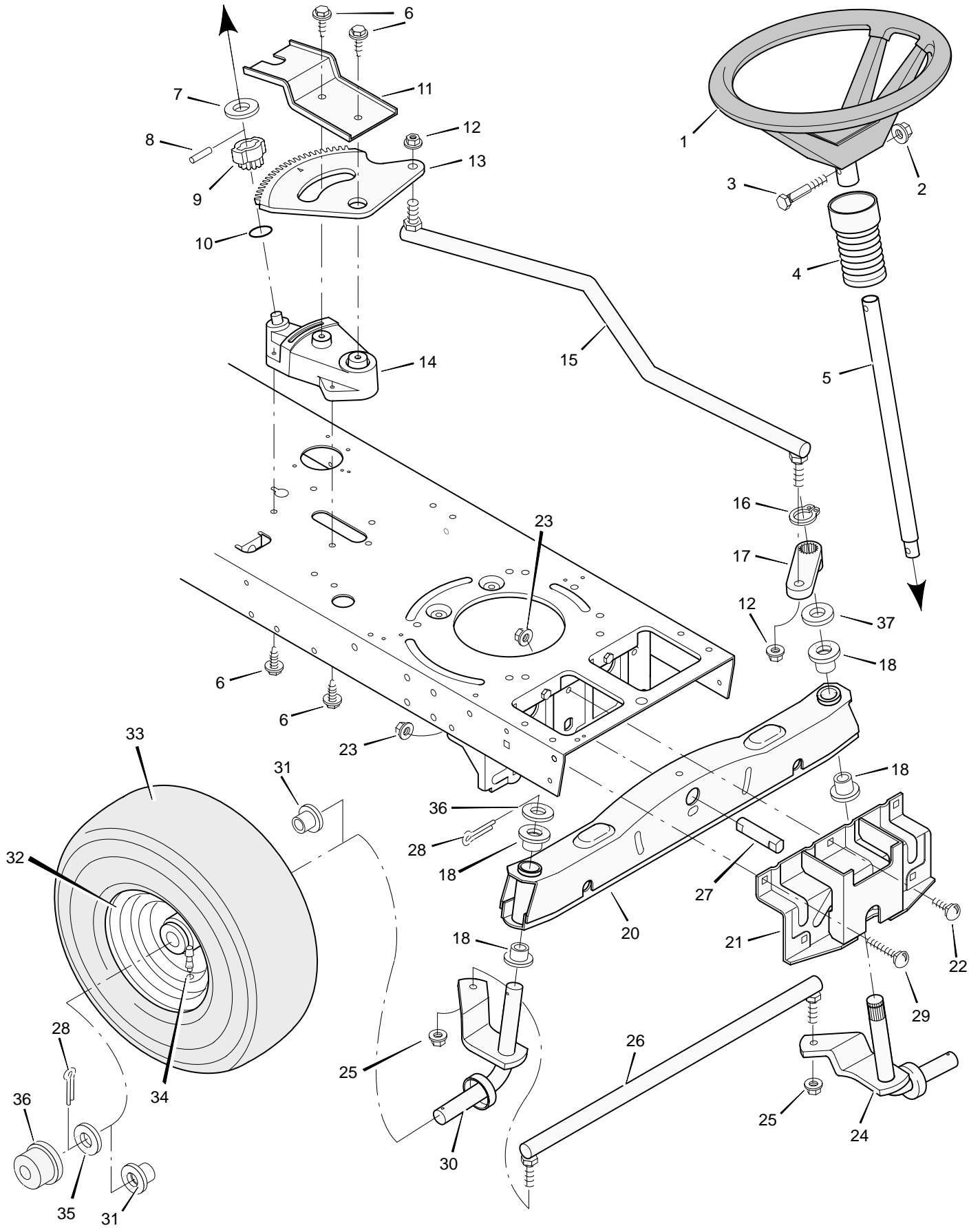
REPAIR PARTS MOTION DRIVE

Key No.	Description	Part No.	Key No.	Description	Part No.
1	Frame Assembly	403353	29	Washer	17x17
2	Guide, Belt	93349	30	Bracket, Torque	93322E701
3	Bracket, Belt Guide	93342E701	31	Rod, Dump Valve	93328Z
4	Nut, Flange	15x79	32	Spring, Extension	165x84
5	Screw	26x249	33	Nut, Adjusting	92132
6	Bolt, Carriage	2x58	34	Pulley, Idler	91179
7	Bracket, Torque	93321E701	35	Bolt, Hex	1x154
8	Bolt, Carriage	2x78	36	Rod, Control	93333Z
9	Pedal	21544	37	Nut	15x84
10	Lever Assembly, Pedal	93325E701	38	Spacer	252x48
11	Pin, Cotter	30x20	39	Belt	37x82
12	Washer	17x52	40	Pulley, Idler	91178
13	Support, Pedal	91713E701	41	Bolt, Shoulder	9x39
14	Wheel and Tire Assembly	93263-601	42	Nut, Adjusting	21920
15	Tire (Included with Key No. 14) *	407920	43	Rod, Clutch	93326Z
—	Tube (Included with Key No. 14)	407047	44	Bracket, Idler	93324Z
16	Valve Stem	24373	45	Spacer	93347
17	Washer	17x190	46	Spring, Extension	165x109
18	Spacer	252x47	47	Bracket, Right Transaxle	93330
19	Washer	17x118Z	48	Rod, Dump Valve	92675Z
20	E-Ring	11x23	49	Grip	92724
21	Bolt, Hex	1x155	50	Guide, Belt	91754
22	Nut	15x88	51	Lever, Parking Brake	93338E701
23	Rod, Latch	93339	52	Pedal Assembly	93346
24	Transaxle	404079	53	Bracket, Left Transaxle	93329
25	Key, Square	24039	54	Nut	15x41
26	Washer	17x171Z	55	Spring	165x110
27	Bolt, Shoulder	9x42	56	Washer	17x57Z
28	Bracket, Dump Valve	93334			

* When you order a tire, make sure to give the brand name of the tire so that the tread pattern on the tire will match.

MODEL 46400x65A

REPAIR PARTS STEERING

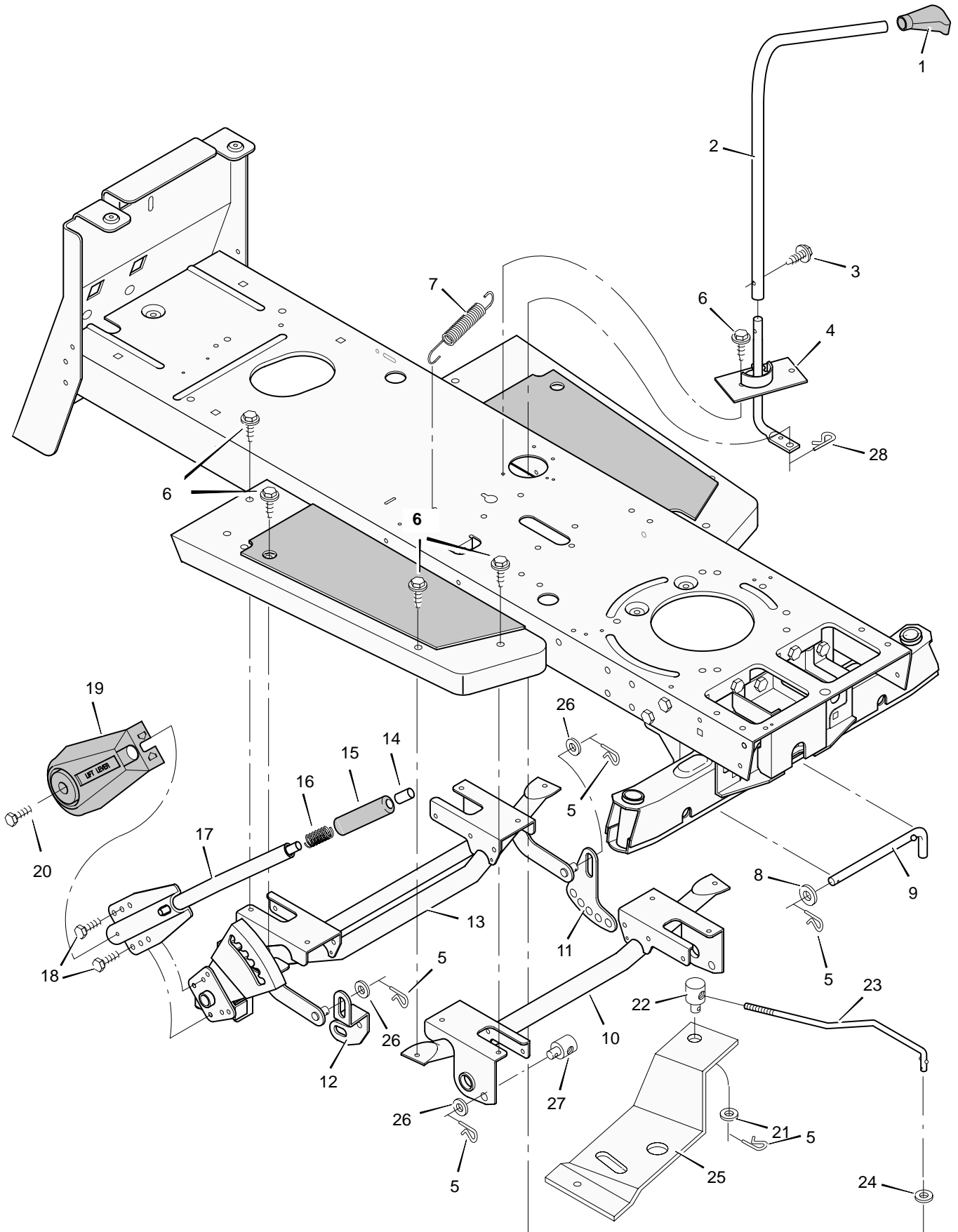


Key No.	Description	Part No.
1	Wheel, Steering	92076
2	Nut, Hex	15x118
3	Bolt, Hex	1x66
4	Bellows	54789
5	Post Assembly, Steering	93039
6	Screw	26x249
7	Washer (Incl'd with Key No. 5)	17x177
8	Pin, Spring (Incl'd with Key No. 5)	32x77
9	Gear Assembly, Pinion	93037
10	O-Ring (Incl'd with Key 9)	93068
11	Clip, Gear Retainer	93081E701
12	Locknut, Flange	15x112
13	Gear, Sector	93062E701
14	Support, Steering	93038
15	Link, Drag	93061E701
16	E-Ring	11x22
17	Arm, Drag Link	93059E701
18	Bearing	93058
20	Axle Assembly (with grease fittings)	93219E701
21	Hanger Assembly, Axle	93080E701
22	Bolt, Carriage	2x56
23	Locknut, Flange	15x84
24	Spindle Assembly, Left	93031E701
25	Locknut, Flange	15x87
26	Rod, Tie	93060E701
27	Pin, Pivot	21469
28	Pin, Cotter	30x49
29	Bolt, Carriage	2x60
30	Spindle Assembly, Right	93030E701
31	Bearing, Wheel (Incl'd with Key 32)	93064
32	Wheel & Tire Assembly	92644-601
33	Tire (Incl'd with Key 32)*	24393
—	Tube (Incl'd with Key 32)	407047
34	Stem, Valve (Incl'd with Key 32)	24373
35	Washer	17x114
36	Hub Cap (Optional)	24582
37	Shim	17x75

* When you order a tire, make sure to give the brand name of the tire so that the tread pattern on the tire will match.

MODEL 46400x65A

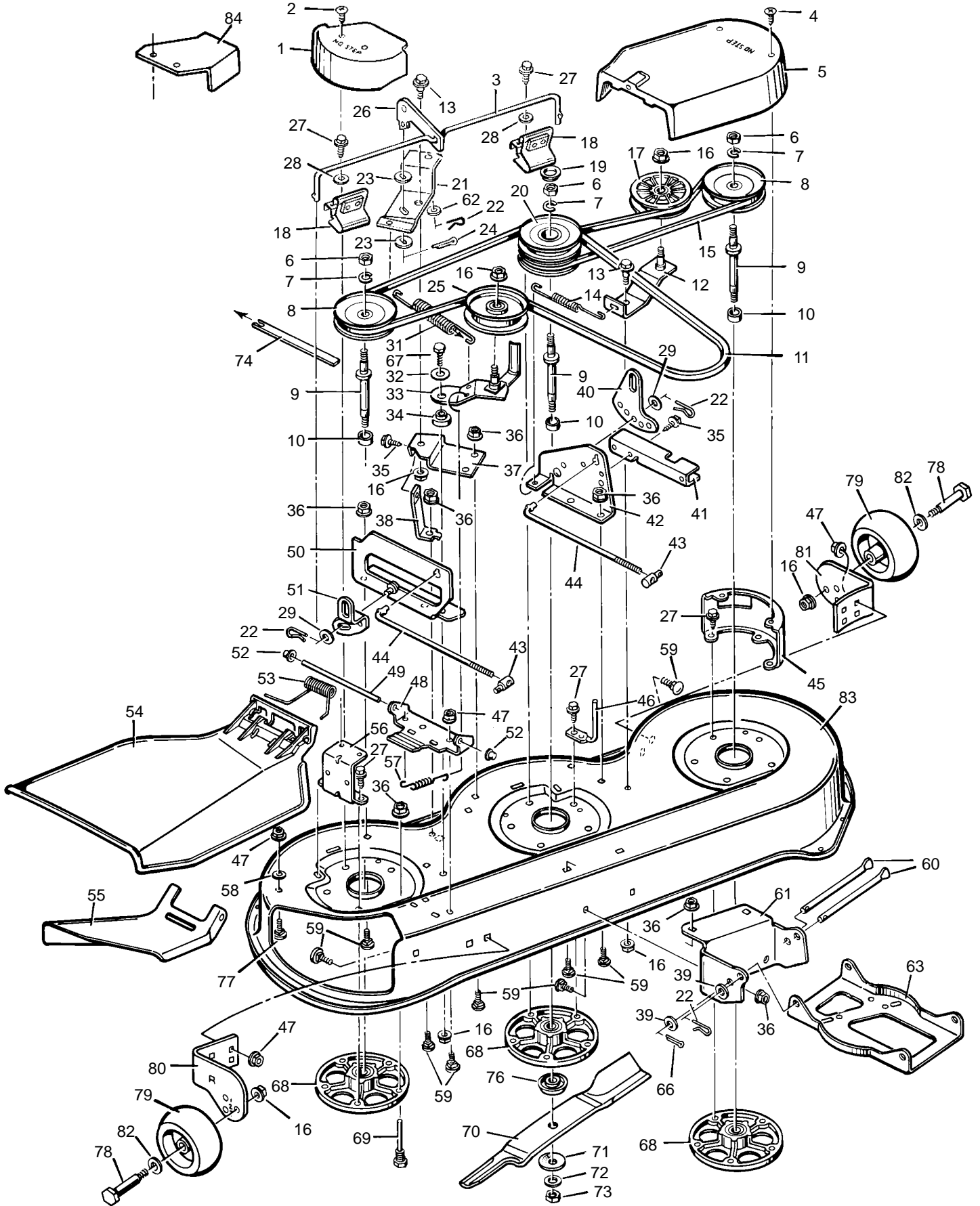
REPAIR PARTS MOWER HOUSING SUSPENSION



Key No.	Description	Part No.
1	Grip	92698
2	Lever, Blade Control	93162Z
3	Bolt, Hex	25x3
4	Control Assembly, Blade	93218E701
5	Pin, Hair	31x4
6	Screw	26x249
7	Spring, Extension	165x92
8	Washer	17x103
9	Pin, Pull	90827Z
10	Support Assembly, Front	93013E701
11	Plate, Adjuster	93323E701
12	Link, Suspension	93340E701
13	Support, Lifter	93114E701
14	Button, Push	92572
15	Grip	92783
16	Spring, Compression	164x21
17	Handle Assembly	91823E701
18	Screw	26x49
19	Cover, Lift Lever (Optional)	92157
20	Screw	26x263
21	Washer	17x124
22	Nut, Adjusting	21920
23	Rod, Blade Control	93356Z
24	Washer	17x47Z
25	Bracket, Pivot	93052E701
26	Washer	17x91Z
27	Nut, Adjusting	92132
28	Pin, Hair	31x6

MODEL 46400x65A

REPAIR PARTS MOWER HOUSING SUSPENSION



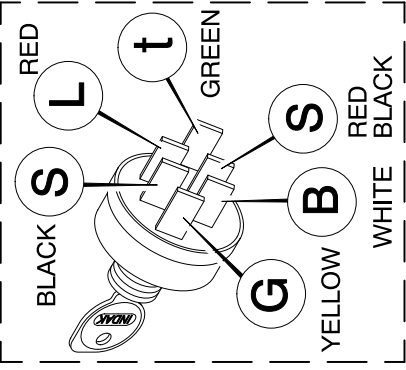
MODEL 46400x65A

REPAIR PARTS MOWER HOUSING

Key No.	Description	Part No.	Key No.	Description	Part No.
1	Cover, Pulley	92145E701	43	Nut, Adjuster	92132
2	Screw	26x266	44	Rod, Adjuster	92134Z
3	Rod, Brake	92129Z	45	Bracket, Left Cover	92139E701
4	Screw	26x258	46	Guide, Belt	92116Z
5	Cover, Left Pulley	92154E701	47	Locknut	15x88
6	Nut, Hex	15x100	48	Bracket, Hinge	92104E701
7	Lockwasher	18x33	49	Rod, Deflector	92159Z
8	Pulley	92127	50	Bracket Assembly, Lifter	93088E701
9	Jackshaft	91921	51	Link, Suspension	93340E701
10	Spacer, Bearing	91925	52	Push-On Cap	28x23
11	Belt, Primary Mower Drive	37x69	53	Spring, Torsion	166x34
12	Bracket, Idler	92112E701	54	Deflector	92100
13	Bolt, Shoulder	9x39	55	Deflector, Inside	92103E701
14	Spring, Extension	165x79	56	Bracket, Cover	92140E701
15	Belt, Secondary Mower Drive	37x66	57	Spring, Extension	165x86
16	Locknut	15x84	58	Washer	17x57Z
17	Pulley, Idler	91590	59	Bolt, Carriage	2x53Z
18	Spring Assembly, Brake	92148	60	Rod, Hanger	91739Z
19	Plug	92169	61	Bracket, Front Hanger	93126E701
20	Pulley, Stack	92128	62	Washer	17x124
21	Bracket, Pivot	93052E701	63	Hanger, Front	92119E701
22	Pin, Hair	31x4	66	Pin, Cotter	30x49
23	Washer	17x171Z	67	Bolt, Hex	1x111Z
24	Pin, Cotter	30x33	68	Housing, Mandrel	92573
25	Pulley, Idler	91801	69	Guide, Belt	91754Z
26	Link, Brake	92130Z	70	Blade (3 required)	92351E701
27	Screw	25x6	71	Washer, Belleville	17x166
28	Washer	10851Z	72	Washer	17x165
29	Washer	17x91Z	73	Nut, Hex	15x100
31	Spring, Extension	165x80	74	Indicator, Plastic	92163
32	Washer	17x168Z	76	Adapter, Blade	92466
33	Bracket, Idler	92220E701	77	Bolt, Carriage	2x73
34	Bushing	92180	78	Bolt, Shoulder	9x23
35	Screw	26x249	79	Wheel, Gauge	92683
36	Nut, Hex	15x79Z	80	Bracket, Right Gauge Wheel	92259E701
37	Support, Pivot	92115E701	81	Bracket, Left Gauge Wheel	92258E701
38	Strut, Pivot	92158E701	82	Washer	17x102
39	Washer	17x103	83	Housing, Mower	92257E701
40	Plate, Adjuster	93323E701	1-83	Mower Housing, Complete	403341
41	Channel, Left Cover	92138E701	84	Guard	93130E701
42	Bracket Assembly, Lifter	92109E701			

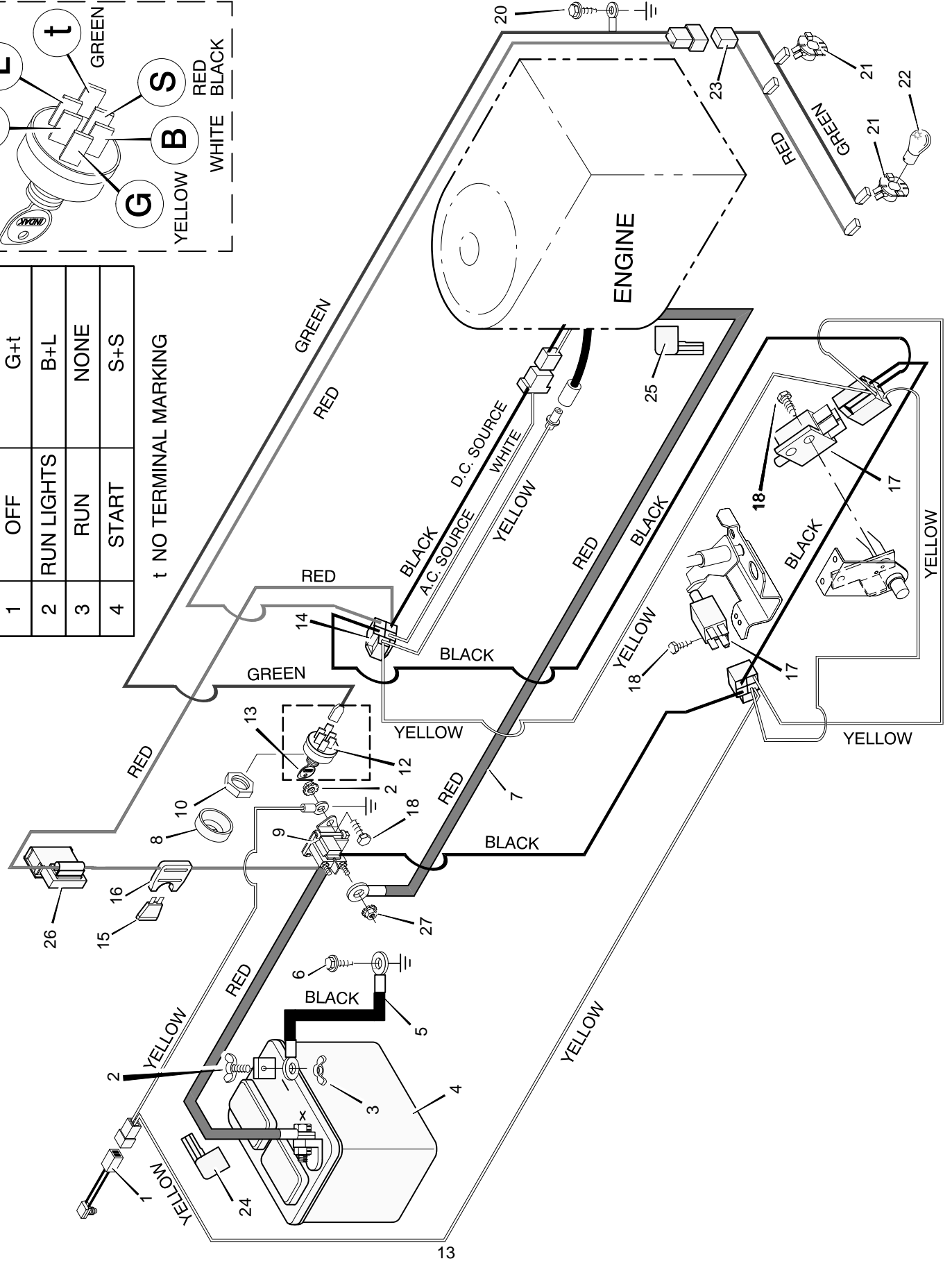
MODEL 46400x65A

REPAIR PARTS ELECTRICAL SYSTEM



POS.	FUNCTION	CIRCUIT (MAKE)
1	OFF	G+t
2	RUN LIGHTS	B+L
3	RUN	NONE
4	START	S+S

t NO TERMINAL MARKING



Key No.	Description	Part No.
1	Switch, Seat Sensor	91031
2	Bolt	6x99
3	Wingnut	14x79
4	Battery	91414
—	Acid, Battery (Electrolyte)	55702
5	Cable, Battery Ground	24x9
6	Screw	26x249
7	Cable, Red Battery	24x29
8	Cap, Ignition	91488
9	Solenoid	24285
10	Nut	91489
12	Switch, Ignition	92377
13	Key, Ignition	20729
14	Harness, Chassis Wire	250x62
15	Fuse	54212
16	Holder, Fuse	407078
17	Switch, Clutch	91299
18	Screw	26x233
20	Screw	25x2
21	Socket, Light	92372
22	Bulb, Light	90084
23	Harness, Light Wire	250x40
24	Cover, Terminal	54148
25	Cover, (Optional)	24196
26	Ammeter	93156
27	Locknut	15x116