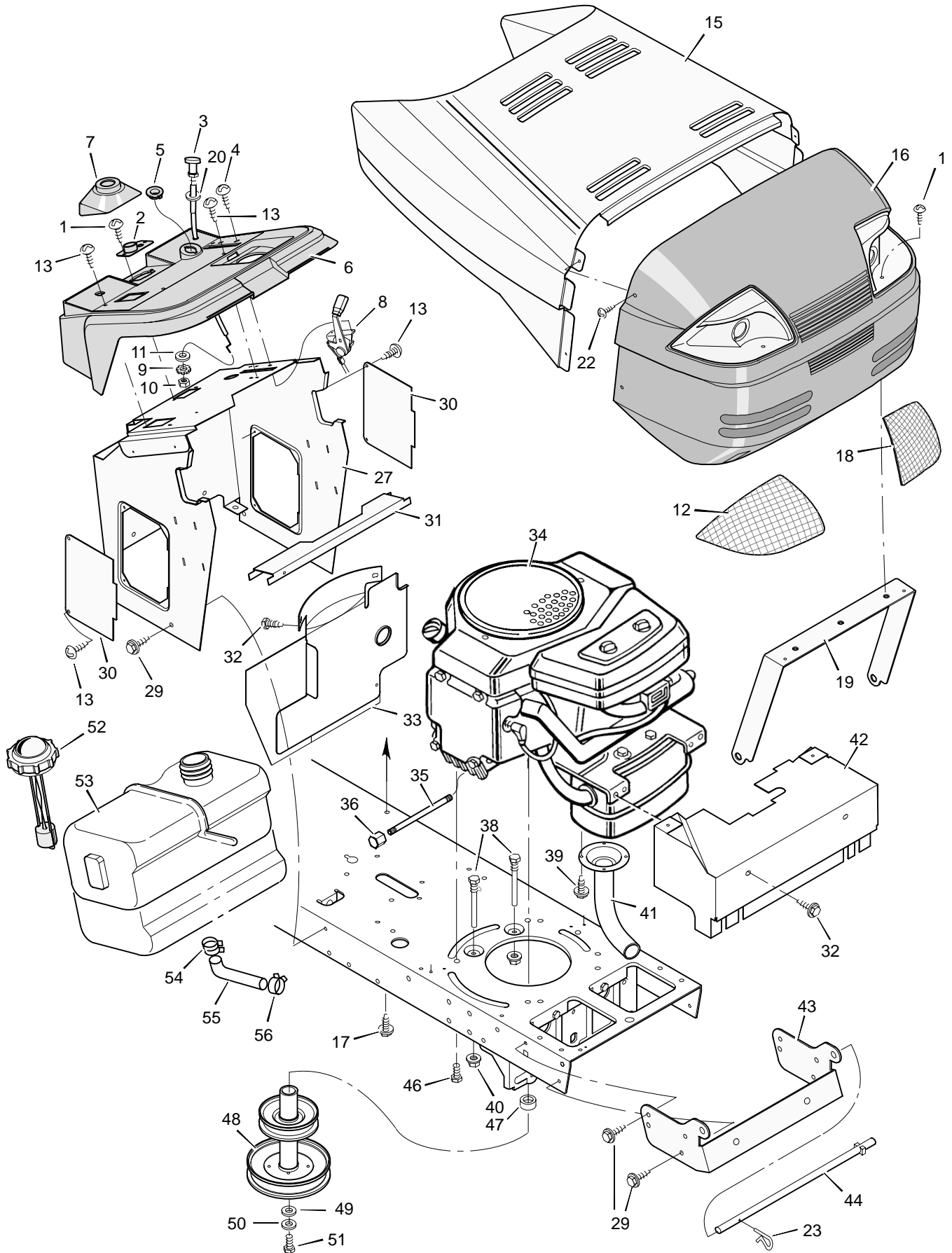


MODEL 46380x50A

REPAIR PARTS HOOD & ENGINE MOUNT



MODEL 46380x50A

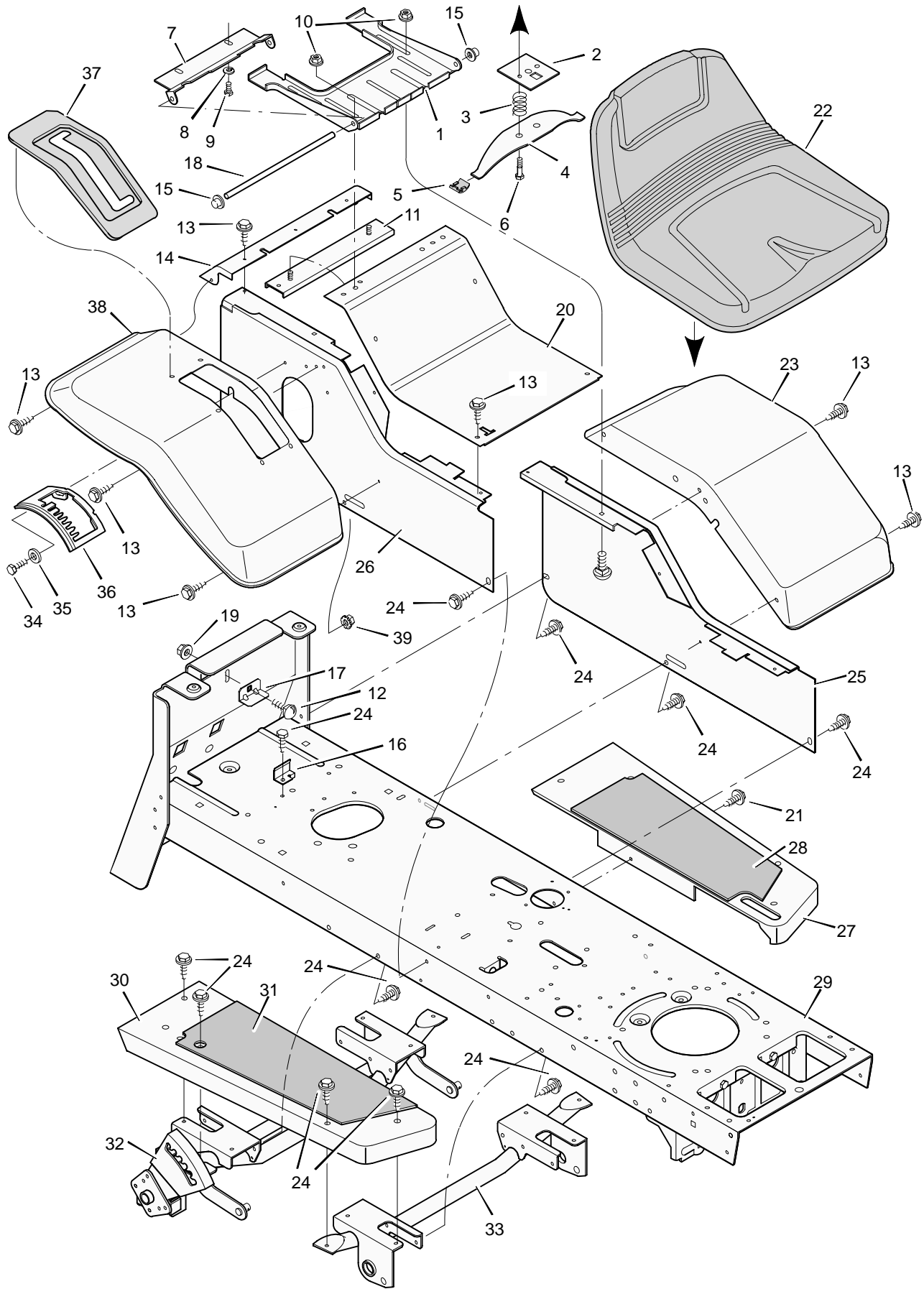
REPAIR PARTS HOOD & ENGINE MOUNT

Key No.	Description	Part No.	Key No.	Description	Part No.
1	Screw	26x239	33	Baffle, Rear Heat	93214E701
2	Bearing, Steering Post	93144	34	Engine *	—————
3	Cable, Choke	91326	35	Oil Drain Extension	23783
4	Screw	26x201	36	Oil Drain Cap	21651
5	Bushing	55717	38	Guide, Belt	91754Z
6	Dash	93143	39	Screw	26x208Z
7	Support, Bellows	93176	40	Locknut, Flange	15x88
8	Throttle Control	93165	41	Pipe, Exhaust	23743E701
9	Lockwasher	19x8	42	Shield, Heat	93188E701
10	Nut, Hex	15x33	43	Support, Grille	93145E701
11	Washer	17x52Z	44	Rod, Pivot	93192Z
12	Lens, Right	92539	46	Bolt, Hex	25x7
13	Screw	26x270	47	Spacer, Engine	93077
15	Hood	93215E245	48	Pulley Assembly, Stack	92506Z
16	Grille – Gray (Includes Lens)	94869	49	Washer	17x170
17	Screw	26x263	50	Lockwasher	19x35
18	Lens, Left	92540	51	Bolt, Hex	1x140
19	Brace, Grille	92541Z	52	Cap, Fuel	91349
20	Washer	17x185	53	Fuel Tank	93148
22	Screw	9x47	54	Clamp, Hose	91174
23	Pin, Hair	31x4	55	Fuel Line	93197
27	Console Assembly	93163E717	56	Clamp, Hose	23713
29	Screw	26x249	—	Book, Instruction (English)	F-97767
30	Panel, Side Access	93007E717	—	Book, Instruction (French)	F-97767FR
31	Support, Fuel Tank	91329E701	—	Book, Instruction (German)	F-97767GR
32	Screw	25x2	—	Repair Parts Book	F-97768

* Parts are available from an Authorized Service Center. See “Engines, Gasoline” or “Gasoline Engines” in the yellow pages of the telephone directory.

MODEL 46380x50A

REPAIR PARTS BODY CHASSIS



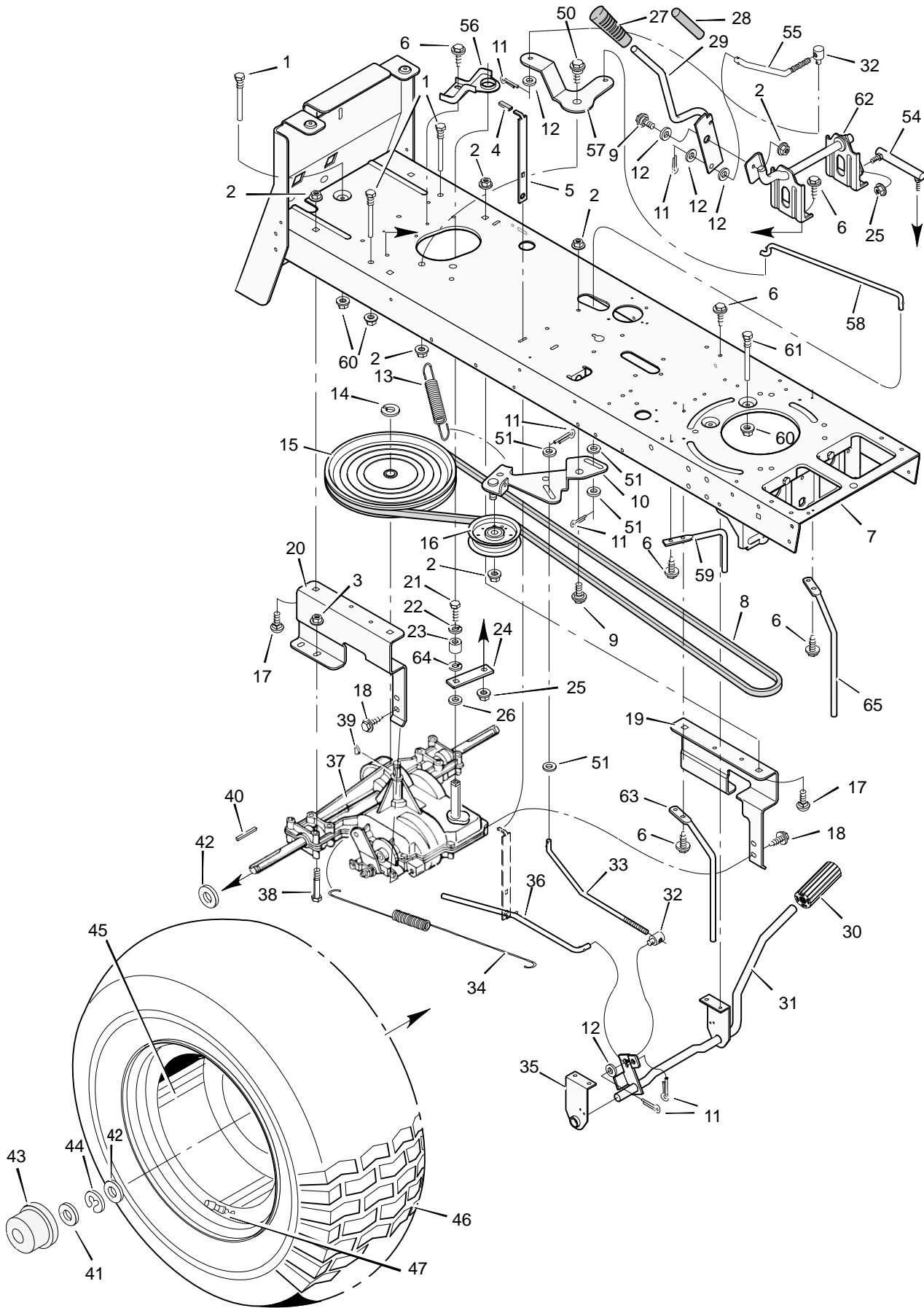
MODEL 46380x50A

REPAIR PARTS BODY CHASSIS

Key No.	Description	Part No.
1	Bracket, Seat	92546E701
2	Plate Assembly, Switch	91963Z
3	Spring, Compression	164x26
4	Spring, Seat	91964
5	Glide, Spring	91822
6	Bolt, Shoulder	9x38
7	Support, Seat	92334E701
8	Lockwasher	18x16
9	Bolt, Hex	1x45
10	Locknut, Flange	15x88
11	Channel Assembly	92601E701
12	Bolt, Carriage	2x53
13	Screw	26x263
14	Insert, Rear	93043E701
15	Push On Cap	28x23
16	Clip, Battery	55149E701
17	Clamp, Battery	90632Z
18	Rod, Pivot	91730Z
19	Locknut	15x76
20	Panel, Top	93222E717
21	Fastener, Panel	193x1
22	Seat	92366
23	Fender	92328E245
24	Screw	26x249
25	Panel, Left	92599E717
26	Panel, Right	92622E717
27	Running Board, Left	93011E245
28	Mat, Left	93277
29	Frame Channel	403350
30	Running Board, Right	93010E245
31	Mat, Right	93276
32	Lifter and Support Assembly	93114E701
33	Support Assembly, Front	93013E701
34	Bolt	1x38
35	Washer	17x38Z
36	Gate, Shift	92630E701
37	Cover, Shift	91905
38	Fender, Right	92379E245
39	Locknut	15x66

MODEL 46380x50A

REPAIR PARTS MOTION DRIVE



MODEL 46380x50A

REPAIR PARTS MOTION DRIVE

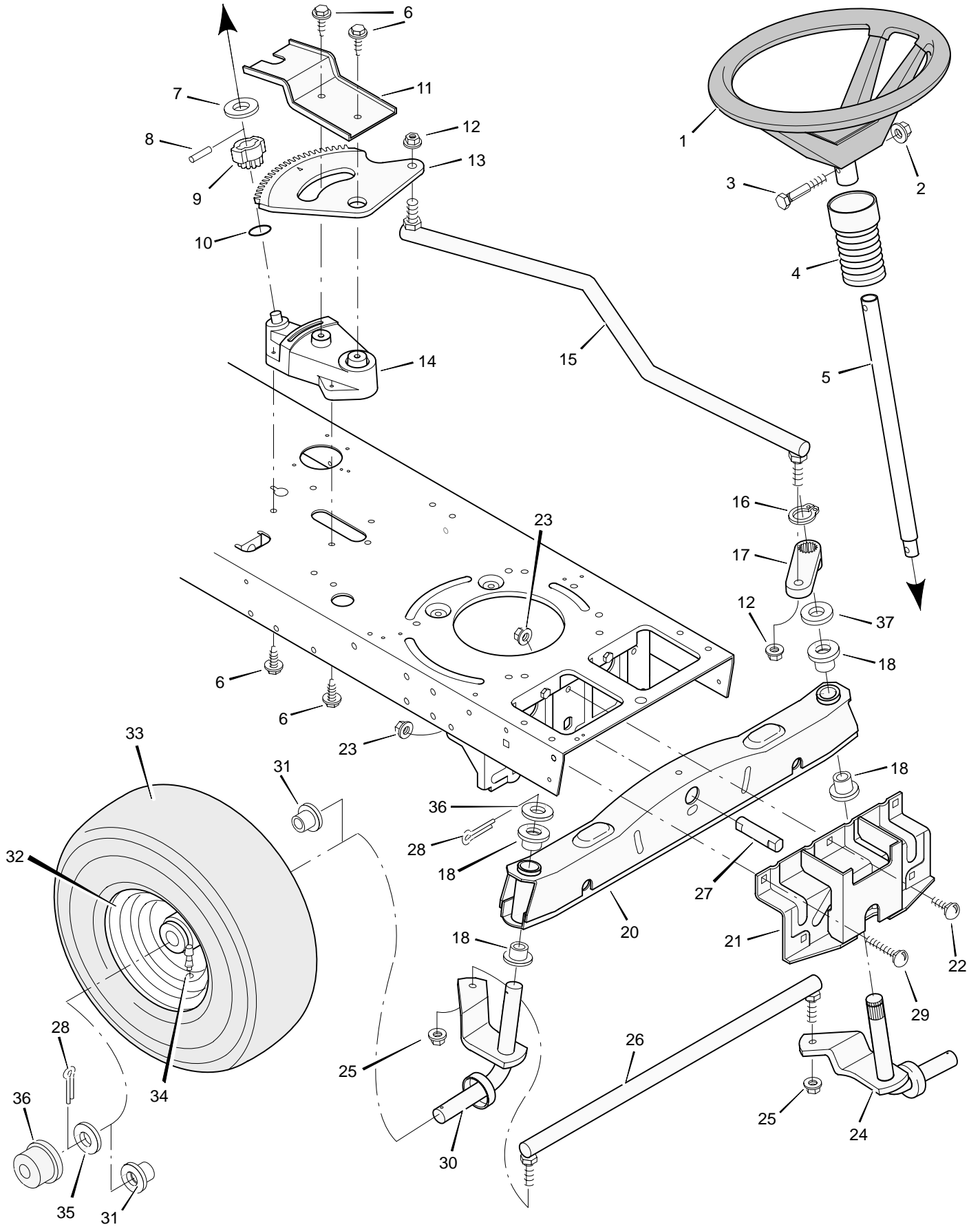
Key No.	Description	Part No.	Key No.	Description	Part No.
1	Guide, Belt	20619	33	Rod, Clutch	93029Z
2	Locknut, Flange	15x84	34	Spring, Brake Extension	165x82
3	Locknut, Flange	15x88	35	Bracket, Pedal Support	91713E701
4	Grip	92724	36	Rod, Brake Latch	93054E701
5	Lever, Parking Brake	93044E701	37	Transaxle, Peerless	†
6	Screw	26x249	38	Bolt, Hex	1x132
7	Frame	403338	39	Key, Woodruff No. 9	20697
8	Belt, Motion Drive	37x68	40	Key, Square	24039
9	Bolt, Shoulder	9x39	41	Washer	17x193
10	Bracket Assembly, Idler	92619Z	42	Washer	17x118Z
11	Pin, Cotter	30x20	43	Hub Cap	94618
12	Washer	17x52	44	E-Ring	11x23
13	Spring, Drive Extension	165x87	45	Wheel & Tire Assembly	93263-601
14	Ring, Retainer	11x7	46	Tire Only (Incl'd with Key No. 45)*	407920
15	Pulley, Motion Drive	75073	—	Tube	407051
16	Pulley, Backside Idler	23339	47	Valve Stem (Incl'd with Key No. 45)	24373
17	Bolt, Carriage	2x78	50	Bolt, Shoulder	9x42
18	Screw	26x207	51	Washer	17x47Z
19	Bracket, Left Transaxle	93299E701	52	Washer	17x53Z
20	Bracket, Right Transaxle	93298E701	54	Link, Shifter	92615
21	Bolt, Hex	1x145	55	Link, Clutch	93305
22	Lockwasher	18x32	56	Bracket, Support	92614Z
23	Pilot, Support	91889	57	Bracket, Pivot	92620Z
24	Yoke, Shift Lever	92041Z	58	Rod, Clutch	92616Z
25	Locknut	15x87	59	Guide, Belt	92629Z
26	Washer	17x148	60	Nut, Flange	15x79
27	Grip	55449	61	Guide, Belt	91754
28	Grip, Inner	20476	62	Shifter Assembly	92626E701
29	Lever, Shift	92031Z	63	Guide, Belt	92533Z
30	Pedal, Clutch/Brake	21544	64	Washer	17x38Z
31	Lever Assembly, Pedal	93082E701	65	Guide, Belt	92533Z
32	Nut, Adjustable	21920			

* When you order a tire, make sure to give the brand name of the tire so that the tread pattern on the tire will match.

† Parts are available from an Authorized Service Center. See "Engines, Gasoline" or "Gasoline Engines" in the yellow pages of the telephone directory.

MODEL 46380x50A

REPAIR PARTS STEERING



MODEL 46380x50A

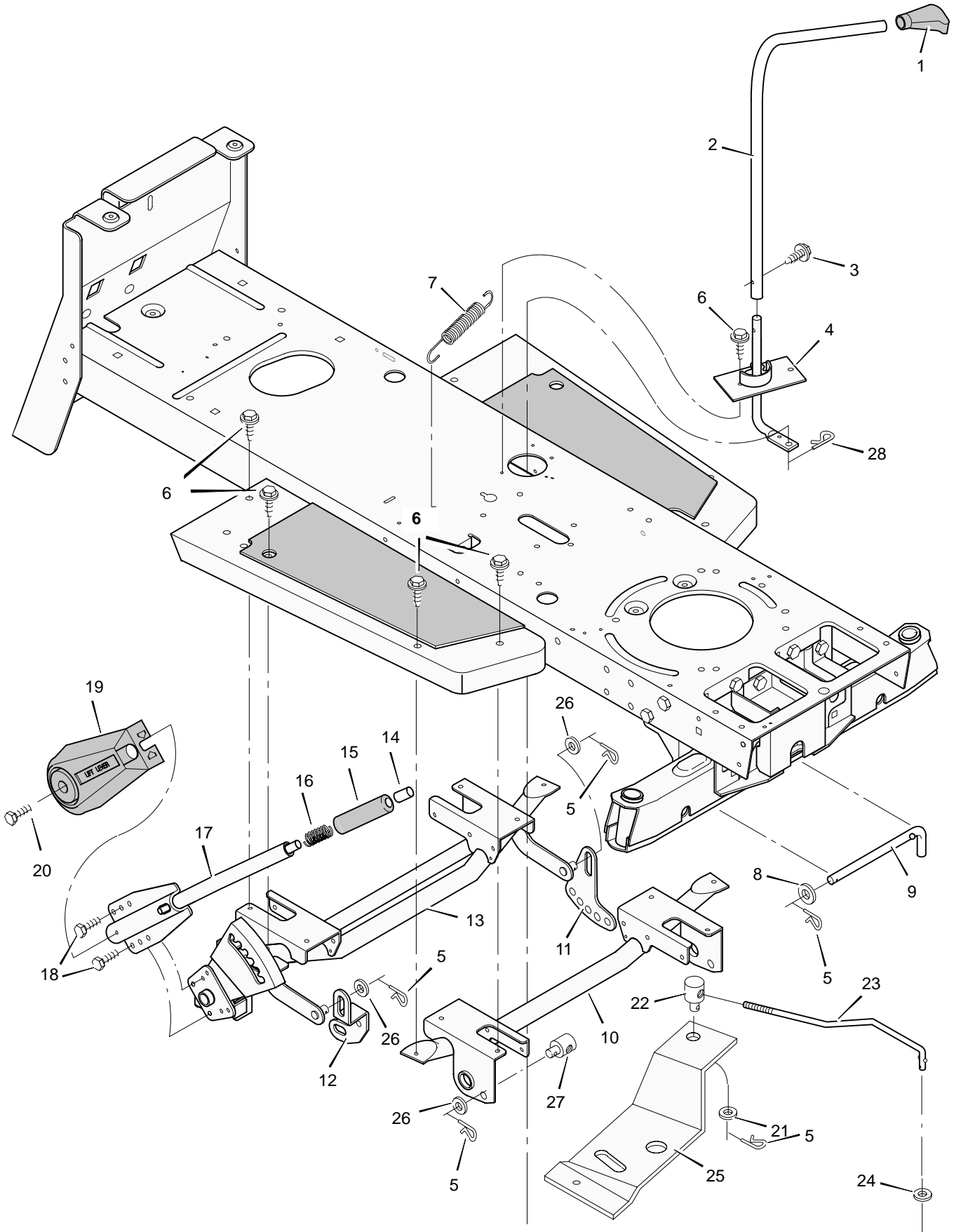
REPAIR PARTS STEERING

Key No.	Description	Part No.
1	Wheel, Steering	94870
2	Nut, Hex	15x118
3	Bolt, Hex	1x66
4	Bellows	54789
5	Post Assembly, Steering	93039
6	Screw	26x249
7	Washer (Incl'd with Key No. 5)	17x177
8	Pin, Spring (Incl'd with Key No. 5)	32x77
9	Gear Assembly, Pinion	93037
10	O-Ring (Incl'd with Key 9)	93068
11	Clip, Gear Retainer	93081E701
12	Locknut, Flange	15x112
13	Gear, Sector	93062E701
14	Support, Steering	93038
15	Link, Drag	93061E701
16	E-Ring	11x22
17	Arm, Drag Link	93059E701
18	Bearing	93058
20	Axle Assembly (with grease fittings)	93219E701
21	Hanger Assembly, Axle	93080E701
22	Bolt, Carriage	2x56
23	Locknut, Flange	15x84
24	Spindle Assembly, Left	93031E701
25	Locknut, Flange	15x87
26	Rod, Tie	93060E701
27	Pin, Pivot	21469
28	Pin, Cotter	30x49
29	Bolt, Carriage	2x60
30	Spindle Assembly, Right	93030E701
31	Bearing, Wheel (Incl'd with Key 32)	93064
32	Wheel & Tire Assembly	92644-601
33	Tire (Incl'd with Key 32)*	24393
—	Tube (Incl'd with Key 32)	407047
34	Stem, Valve (Incl'd with Key 32)	24373
35	Washer	17x194
36	Hub Cap (Optional)	94618
37	Shim	17x75

* When you order a tire, make sure to give the brand name of the tire so that the tread pattern on the tire will match.

MODEL 46380x50A

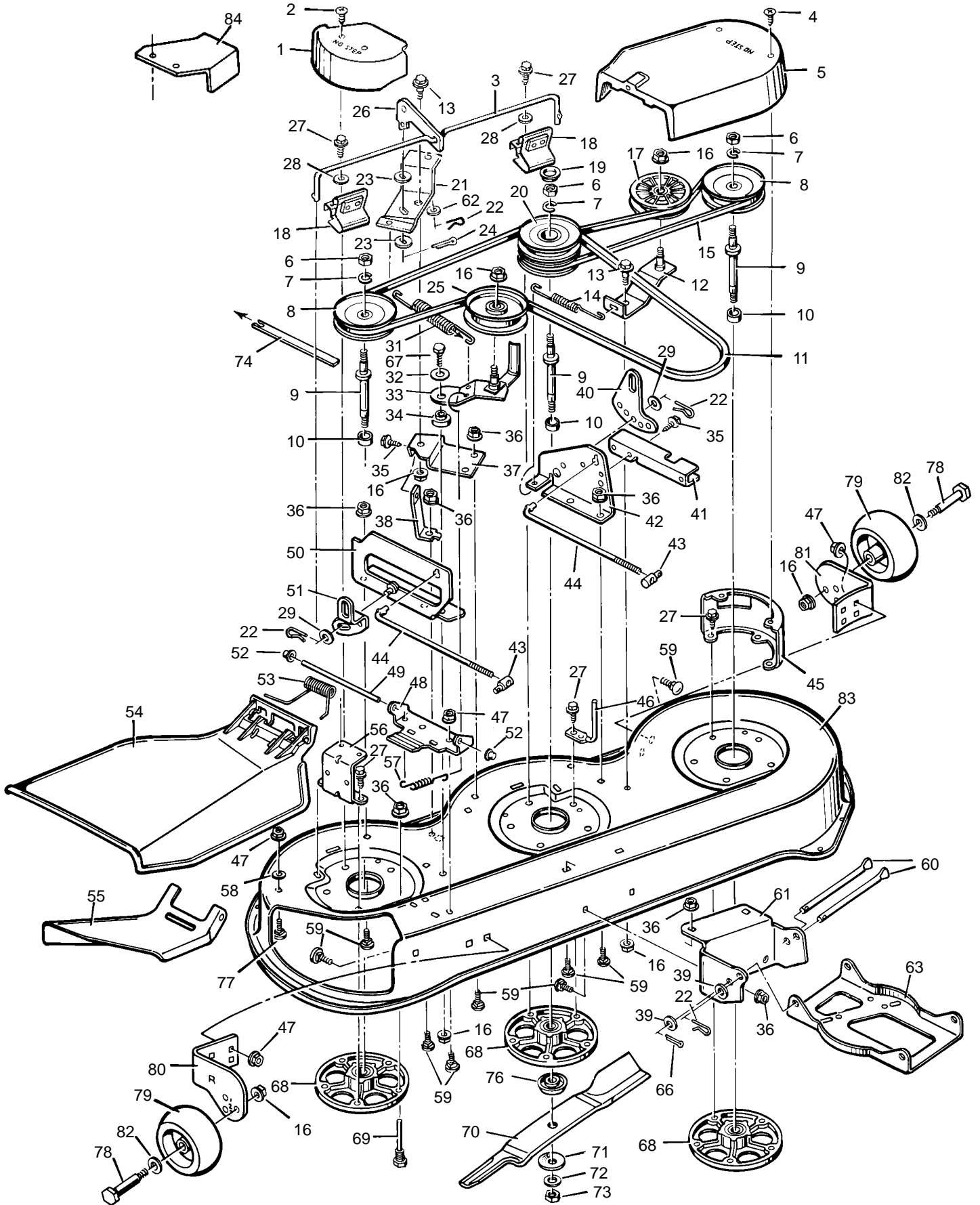
REPAIR PARTS MOWER HOUSING SUSPENSION



Key No.	Description	Part No.
1	Grip	92698
2	Lever, Blade Control	93162Z
3	Bolt, Hex	25x3
4	Control Assembly, Blade	93218E701
5	Pin, Hair	31x4
6	Screw	26x249
7	Spring, Extension	165x92
8	Washer	17x103
9	Pin, Pull	90827Z
10	Support Assembly, Front	93013E701
11	Plate, Adjuster	93097E701
12	Link, Suspension	93096E701
13	Support, Lifter	93114E701
14	Button, Push	92572
15	Grip	92783
16	Spring, Compression	164x21
17	Handle Assembly	91823E701
18	Screw	26x49
19	Cover, Lift Lever (Optional)	92157
20	Screw	26x263
21	Washer	17x124
22	Nut, Adjusting	21920
23	Rod, Blade Control	93356Z
24	Washer	17x47Z
25	Bracket, Pivot	93052E701
26	Washer	17x91Z
27	Nut, Adjusting	92132
28	Pin, Hair	31x6

MODEL 46380x50A

REPAIR PARTS MOWER HOUSING SUSPENSION



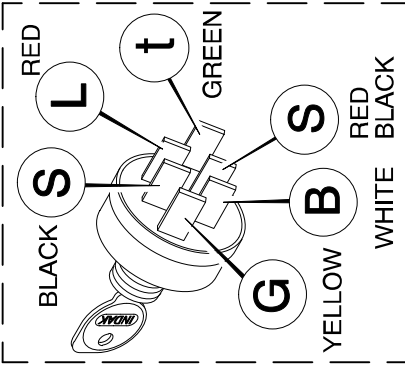
MODEL 46380x50A

REPAIR PARTS MOWER HOUSING

Key No.	Description	Part No.	Key No.	Description	Part No.
1	Cover, Pulley	92145E701	43	Nut, Adjuster	92132
2	Screw	26x266	44	Rod, Adjuster	92134Z
3	Rod, Brake	92129Z	45	Bracket, Left Cover	92139E701
4	Screw	26x258	46	Guide, Belt	92116Z
5	Cover, Left Pulley	92154E701	47	Locknut	15x88
6	Nut, Hex	15x100	48	Bracket, Hinge	92104E701
7	Lockwasher	18x33	49	Rod, Deflector	92159Z
8	Pulley	92127	50	Bracket Assembly, Lifter	93088E701
9	Jackshaft	91921	51	Link, Suspension	93096E701
10	Spacer, Bearing	91925	52	Push-On Cap	28x23
11	Belt, Primary Mower Drive	37x69	53	Spring, Torsion	166x34
12	Bracket, Idler	92112E701	54	Deflector	92100
13	Bolt, Shoulder	9x39	55	Deflector, Inside	92103E701
14	Spring, Extension	165x79	56	Bracket, Cover	92140E701
15	Belt, Secondary Mower Drive	37x66	57	Spring, Extension	165x86
16	Locknut	15x84	58	Washer	17x57Z
17	Pulley, Idler	91590	59	Bolt, Carriage	2x53Z
18	Spring Assembly, Brake	92148	60	Rod, Hanger	91739Z
19	Plug	92169	61	Bracket, Front Hanger	93126E701
20	Pulley, Stack	92128	62	Washer	17x124
21	Bracket, Pivot	93052E701	63	Hanger, Front	92119E701
22	Pin, Hair	31x4	66	Pin, Cotter	30x49
23	Washer	17x171Z	67	Bolt, Hex	1x111Z
24	Pin, Cotter	30x33	68	Housing, Mandrel	92573
25	Pulley, Idler	91801	69	Guide, Belt	91754Z
26	Link, Brake	92130Z	70	Blade (3 required)	92351E701
27	Screw	25x6	71	Washer, Belleville	17x166
28	Washer	10851Z	72	Washer	17x165
29	Washer	17x91Z	73	Nut, Hex	15x100
31	Spring, Extension	165x80	74	Indicator, Plastic	92163
32	Washer	17x168Z	76	Adapter, Blade	92466
33	Bracket, Idler	92220E701	77	Bolt, Carriage	2x73
34	Bushing	92180	78	Bolt, Shoulder	9x23
35	Screw	26x249	79	Wheel, Gauge	92683
36	Nut, Hex	15x79Z	80	Bracket, Right Gauge Wheel	92259E701
37	Support, Pivot	92115E701	81	Bracket, Left Gauge Wheel	92258E701
38	Strut, Pivot	92158E701	82	Washer	17x102
39	Washer	17x103	83	Housing, Mower	92257E701
40	Plate, Adjuster	93097E701	1-83	Mower Housing, Complete	403341
41	Channel, Left Cover	92138E701	84	Guard	93130E701
42	Bracket Assembly, Lifter	92109E701			

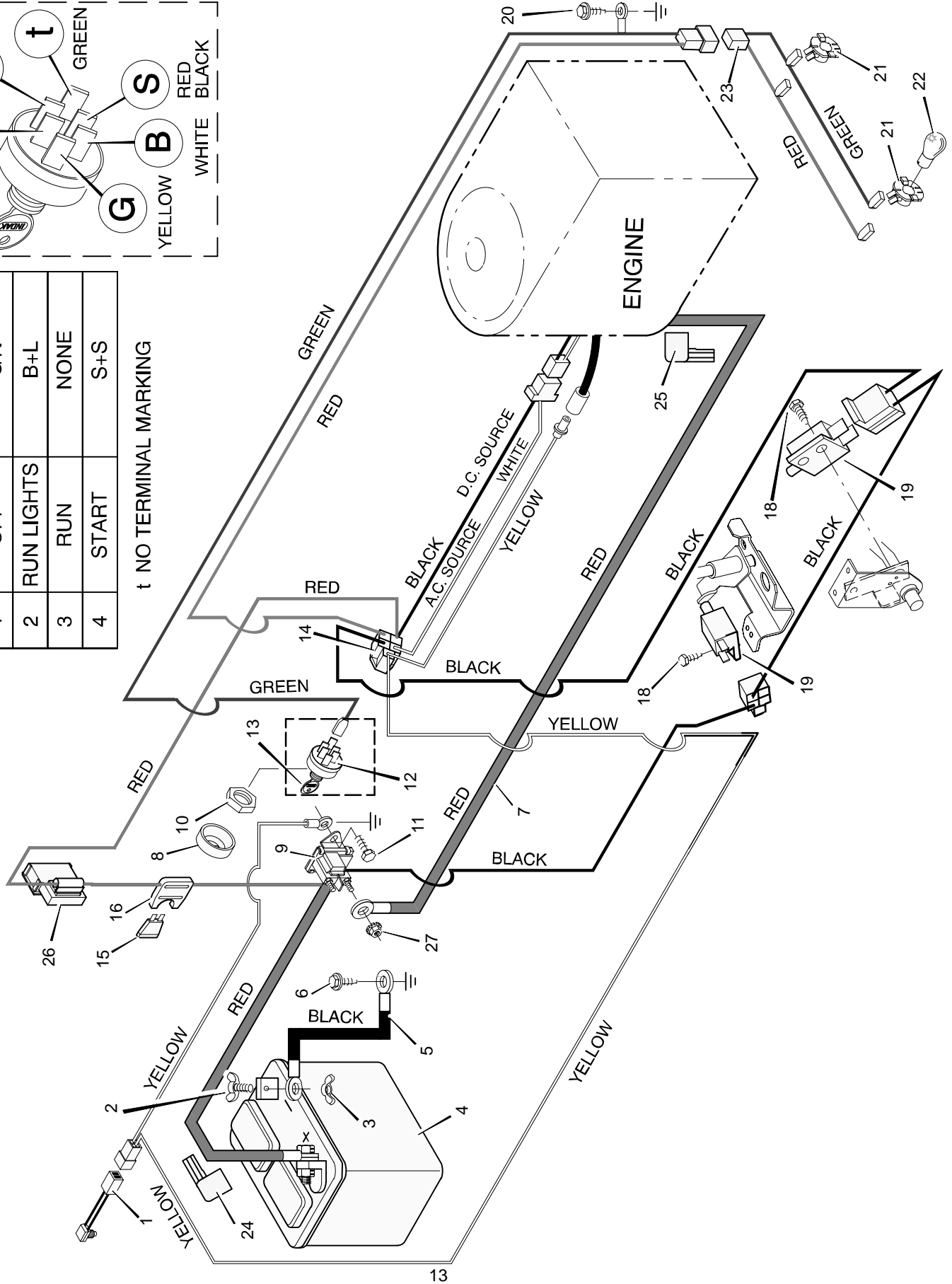
MODEL 46380x50A

REPAIR PARTS ELECTRICAL SYSTEM



POS.	FUNCTION	CIRCUIT (MAKE)
1	OFF	G+t
2	RUN LIGHTS	B+L
3	RUN	NONE
4	START	S+S

t NO TERMINAL MARKING



Key No.	Description	Part No.
1	Switch, Seat Sensor	91031
2	Bolt	6x99
3	Wingnut	14x79
4	Battery	91414
—	Acid, Battery (Electrolyte)	55702
5	Cable, Battery Ground	24x9
6	Screw	26x249
7	Cable, Red Battery	24x29
8	Cap, Ignition	91488
9	Solenoid	24285
10	Nut	91489
11	Screw	26x214
12	Switch, Ignition	92377
13	Key, Ignition	20729
14	Harness, Chassis Wire	250x53
15	Fuse	54212
16	Holder, Fuse	407078
18	Screw	26x233
19	Switch, Clutch	24273
20	Screw	25x2
21	Socket, Light	92372
22	Bulb, Light	90084
23	Harness, Light Wire	250x40
24	Cover, Terminal	54148
25	Cover, (Optional)	24196
26	Ammeter	93156
27	Locknut	15x116