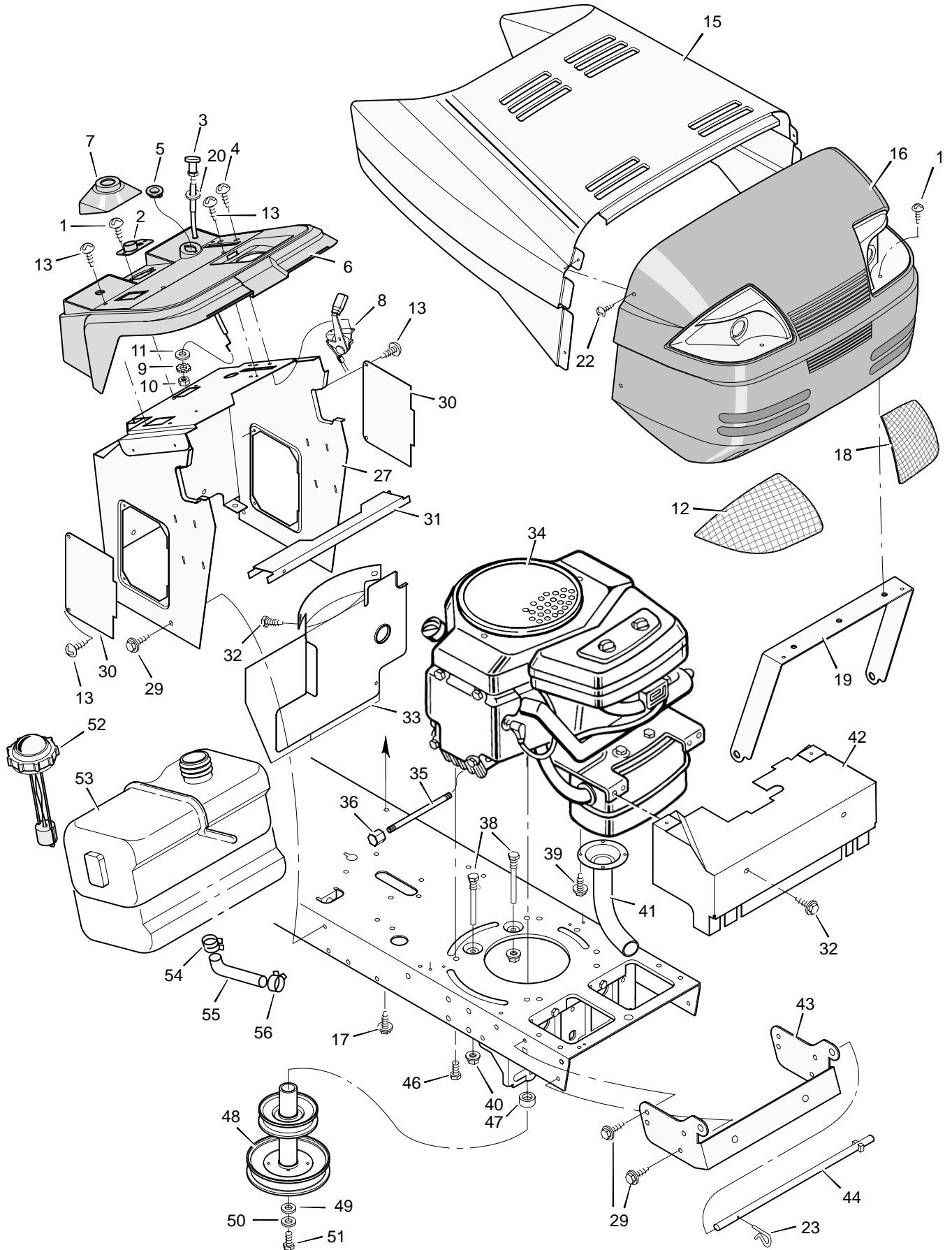


MODEL 46376x65B

REPAIR PARTS HOOD & ENGINE MOUNT



MODEL 46376x65B

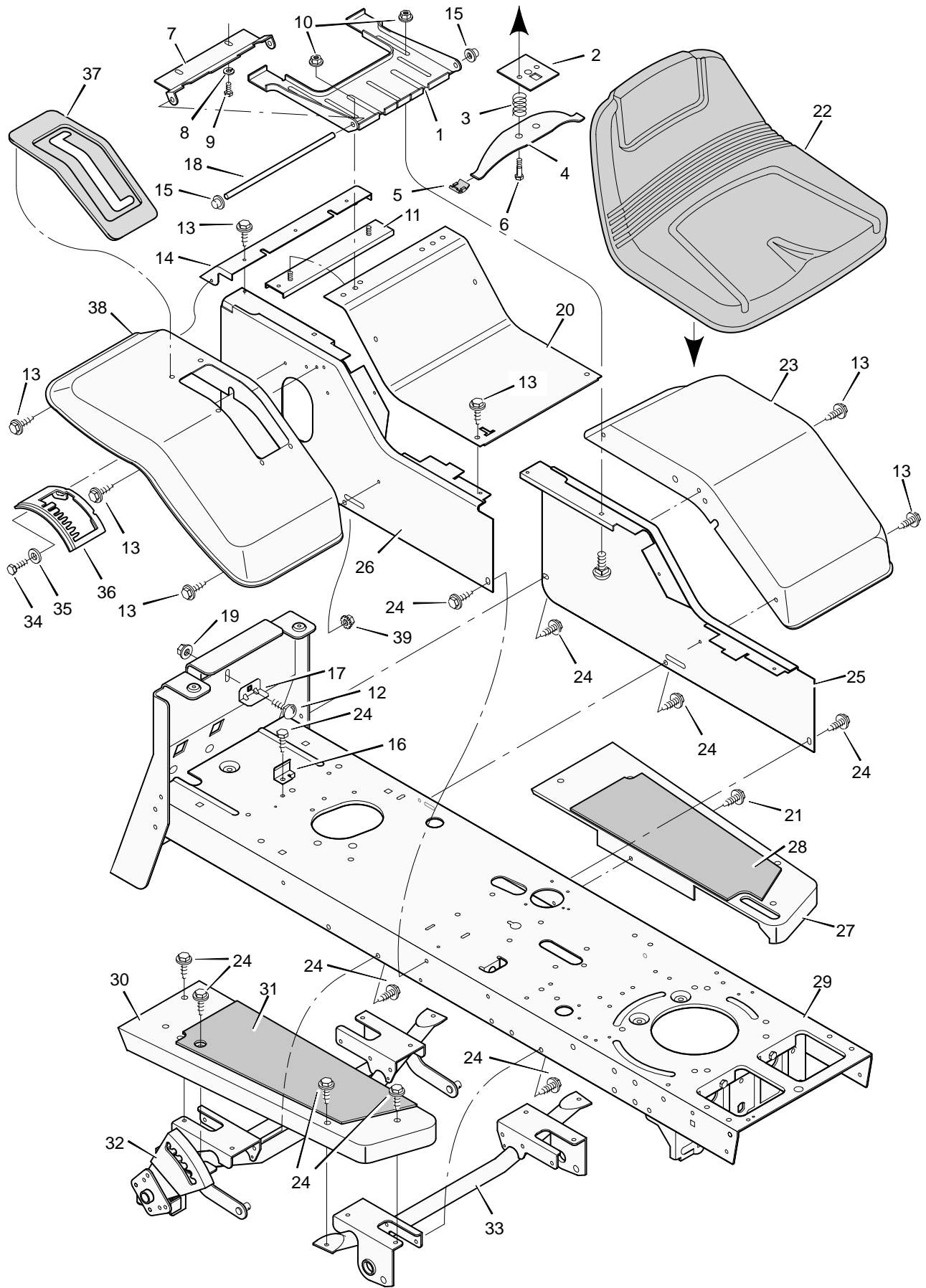
REPAIR PARTS HOOD & ENGINE MOUNT

| Key No. | Description | Part No. | Key No. | Description | Part No. |
|---------|------------------------|-----------|---------|------------------------|-----------|
| 1 | Screw | 26x239 | 32 | Screw | 25x2 |
| 2 | Bearing, Steering Post | 93144 | 33 | Baffle, Rear Heat | 93214E701 |
| 3 | Cable, Choke | 91326 | 34 | Engine * | ————— |
| 4 | Screw | 26x201 | 35 | Oil Drain Extension | 23783 |
| 5 | Bushing | 55717 | 36 | Oil Drain Cap | 21651 |
| 6 | Dash | 93143 | 38 | Guide, Belt | 91754Z |
| 7 | Support, Bellows | 93176 | 39 | Screw | 26x208Z |
| 8 | Throttle Control | 93165 | 40 | Locknut, Flange | 15x88 |
| 9 | Lockwasher | 19x8 | 41 | Pipe, Exhaust | 23743E701 |
| 10 | Nut, Hex | 15x33 | 42 | Shield, Heat | 93188E701 |
| 11 | Washer | 17x52Z | 43 | Support, Grille | 93145E701 |
| 12 | Lens, Right | 92539 | 44 | Rod, Pivot | 93192Z |
| 13 | Screw | 26x270 | 46 | Bolt, Hex | 25x7 |
| 15 | Hood | 93215E245 | 47 | Spacer, Engine | 93077 |
| 16 | Grille (Includes Lens) | 92542 | 48 | Pulley Assembly, Stack | 92506Z |
| 17 | Screw | 26x263 | 49 | Washer | 17x170 |
| 18 | Lens, Left | 92540 | 50 | Lockwasher | 19x35 |
| 19 | Brace, Grille | 92541Z | 51 | Bolt, Hex | 1x140 |
| 20 | Washer | 17x185 | 52 | Cap, Fuel | 91349 |
| 22 | Screw | 9x47 | 53 | Fuel Tank | 93148 |
| 23 | Pin, Hair | 31x4 | 54 | Clamp, Hose | 91174 |
| 27 | Console Assembly | 93196E701 | 55 | Fuel Line | 93197 |
| 29 | Screw | 26x249 | 56 | Clamp, Hose | 23713 |
| 30 | Panel, Side Access | 93007E701 | — | Book, Instruction | F-96836 |
| 31 | Support, Fuel Tank | 91329E701 | — | Repair Parts Book | F-96837 |

* Parts are available from a Briggs & Stratton Authorized Service Center. See "Engines, Gasoline" or "Gasoline Engines" in the yellow pages of the telephone directory.

MODEL 46376x65B

REPAIR PARTS BODY CHASSIS



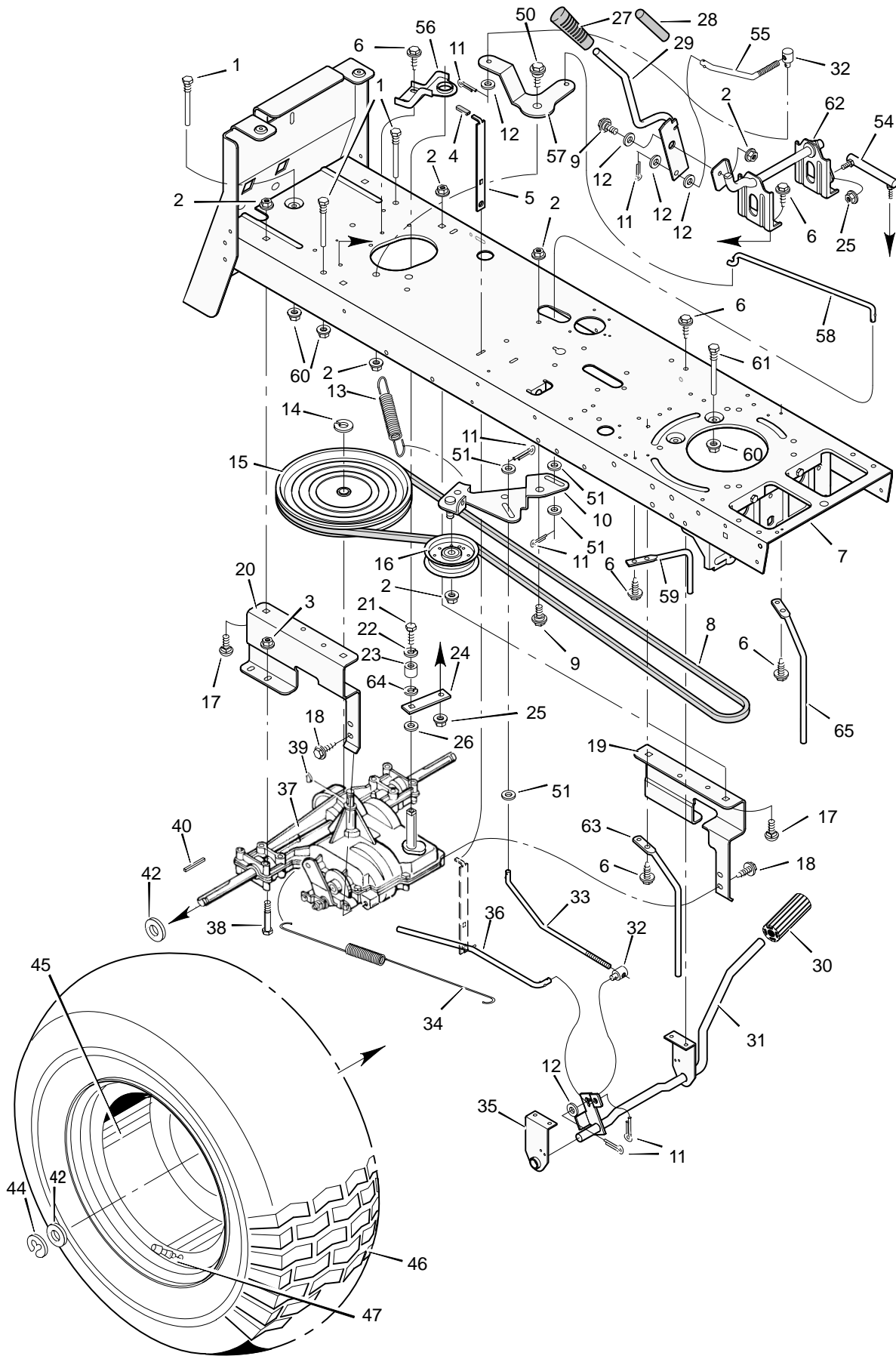
MODEL 46376x65B

REPAIR PARTS BODY CHASSIS

| Key No. | Description | Part No. |
|---------|-----------------------------|-----------|
| 1 | Bracket, Seat | 92546E701 |
| 2 | Plate Assembly, Switch | 91963Z |
| 3 | Spring, Compression | 164x26 |
| 4 | Spring, Seat | 91964 |
| 5 | Glide, Spring | 91822 |
| 6 | Bolt, Shoulder | 9x38 |
| 7 | Support, Seat | 92334E701 |
| 8 | Lockwasher | 18x16 |
| 9 | Bolt, Hex | 1x45 |
| 10 | Locknut, Flange | 15x88 |
| 11 | Channel Assembly | 92601E701 |
| 12 | Bolt, Carriage | 2x53 |
| 13 | Screw | 26x263 |
| 14 | Insert, Rear | 93043E701 |
| 15 | Push On Cap | 28x23 |
| 16 | Clip, Battery | 55149E701 |
| 17 | Clamp, Battery | 90632Z |
| 18 | Rod, Pivot | 91730Z |
| 19 | Locknut | 15x76 |
| 20 | Panel, Top | 93222E540 |
| 21 | Fastener, Panel | 193x1 |
| 22 | Seat | 92606 |
| 23 | Fender | 92328E245 |
| 24 | Screw | 26x249 |
| 25 | Panel, Left | 92599E540 |
| 26 | Panel, Right | 92622E540 |
| 27 | Running Board, Left | 93011E540 |
| 28 | Mat, Left | 93071 |
| 29 | Frame Channel | 403350 |
| 30 | Running Board, Right | 93010E540 |
| 31 | Mat, Right | 93070 |
| 32 | Lifter and Support Assembly | 93114E701 |
| 33 | Support Assembly, Front | 93013E701 |
| 34 | Bolt | 1x38 |
| 35 | Washer | 17x38Z |
| 36 | Gate, Shift | 92630E701 |
| 37 | Cover, Shift | 91905 |
| 38 | Fender, Right | 92379E245 |
| 39 | Locknut | 15x66 |

MODEL 46376x65B

REPAIR PARTS MOTION DRIVE



MODEL 46376x65B

REPAIR PARTS MOTION DRIVE

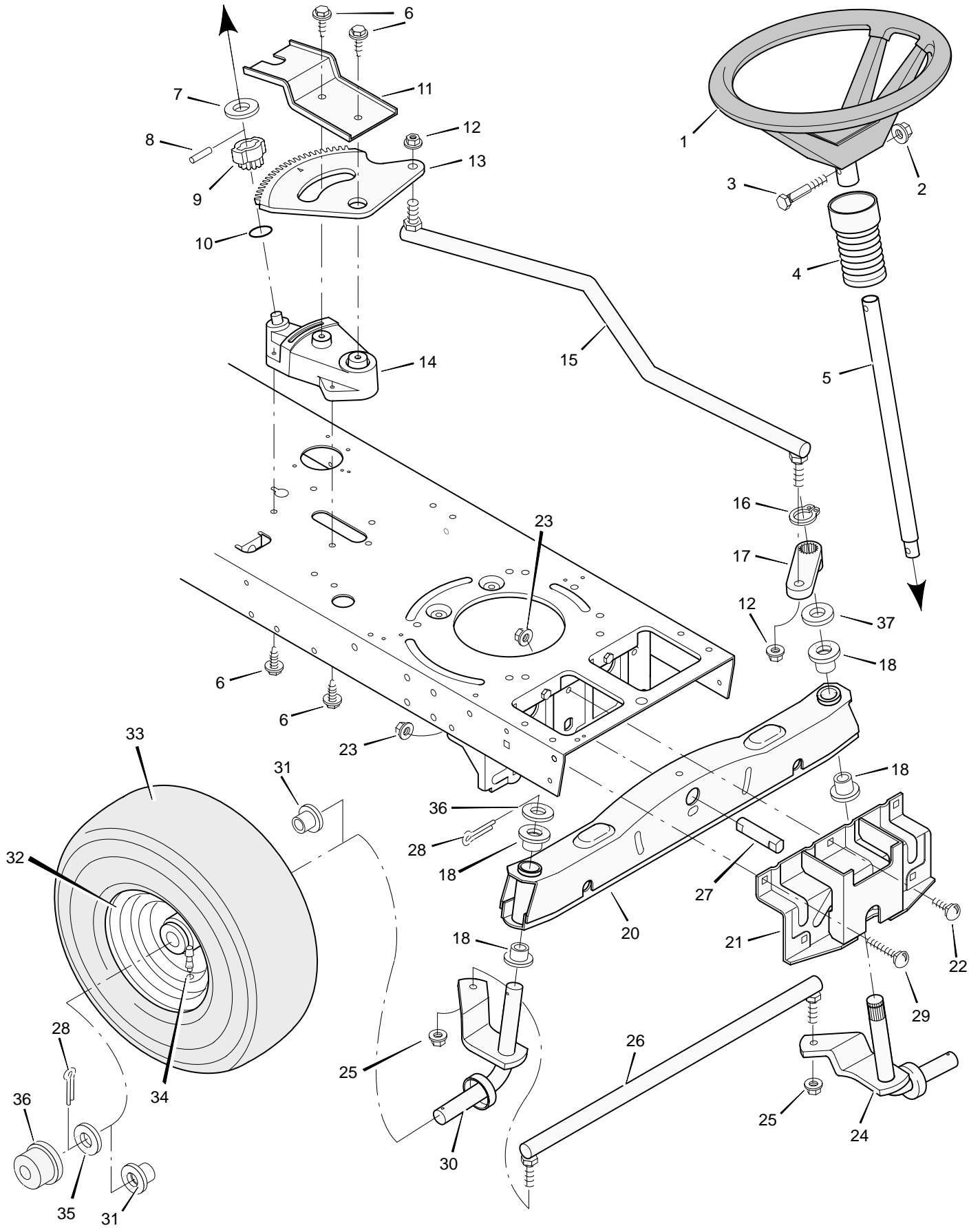
| Key No. | Description | Part No. | Key No. | Description | Part No. |
|---------|--------------------------|-----------|---------|-------------------------------------|-----------|
| 1 | Guide, Belt | 20619 | 32 | Nut, Adjustable | 21920 |
| 2 | Locknut, Flange | 15x84 | 33 | Rod, Clutch | 93029Z |
| 3 | Locknut, Flange | 15x88 | 34 | Spring, Brake Extension | 165x82 |
| 4 | Grip | 92724 | 35 | Bracket, Pedal Support | 91713E701 |
| 5 | Lever, Parking Brake | 93044E701 | 36 | Rod, Brake Latch | 93054E701 |
| 6 | Screw | 26x249 | 37 | Transaxle, Peerless (Model 930-048) | † |
| 7 | Frame | 403338 | 38 | Bolt, Hex | 1x132 |
| 8 | Belt, Motion Drive | 37x68 | 39 | Key, Woodruff No. 9 | 20697 |
| 9 | Bolt, Shoulder | 9x39 | 40 | Key, Square | 24039 |
| 10 | Bracket Assembly, Idler | 92619Z | 42 | Washer | 17x118Z |
| 11 | Pin, Cotter | 30x20 | 44 | E-Ring | 11x23 |
| 12 | Washer | 17x52 | 45 | Wheel & Tire Assembly | 93263-601 |
| 13 | Spring, Drive Extension | 165x87 | 46 | Tire Only (Incl'd with Key No. 45)* | 407920 |
| 14 | Ring, Retainer | 11x7 | — | Tube | 407051 |
| 15 | Pulley, Motion Drive | 75073 | 47 | Valve Stem (Incl'd with Key No. 45) | 24373 |
| 16 | Pulley, Backside Idler | 23339 | 50 | Bolt, Shoulder | 9x42 |
| 17 | Bolt, Carriage | 2x78 | 51 | Washer | 17x47Z |
| 18 | Screw | 26x207 | 52 | Washer | 17x53Z |
| 19 | Bracket, Left Transaxle | 93299E701 | 54 | Link, Shifter | 92615 |
| 20 | Bracket, Right Transaxle | 93298E701 | 55 | Link, Clutch | 93305 |
| 21 | Bolt, Hex | 1x145 | 56 | Bracket, Support | 92614Z |
| 22 | Lockwasher | 18x32 | 57 | Bracket, Pivot | 92620Z |
| 23 | Pilot, Support | 91889 | 58 | Rod, Clutch | 92616Z |
| 24 | Yoke, Shift Lever | 92041Z | 59 | Guide, Belt | 92629Z |
| 25 | Locknut | 15x87 | 60 | Nut, Flange | 15x79 |
| 26 | Washer | 17x148 | 61 | Guide, Belt | 91754 |
| 27 | Grip | 55449 | 62 | Shifter Assembly | 92626E701 |
| 28 | Grip, Inner | 20476 | 63 | Guide, Belt | 92533Z |
| 29 | Lever, Shift | 92031Z | 64 | Washer | 17x38Z |
| 30 | Pedal, Clutch/Brake | 21544 | 65 | Guide, Belt | 92533Z |
| 31 | Lever Assembly, Pedal | 93082E701 | | | |

* When you order a tire, make sure to give the brand name of the tire so that the tread pattern on the tire will match.

† Parts are available from a Tecumseh Authorized Service Center. See "Engines, Gasoline" or "Gasoline Engines" in the yellow pages of the telephone directory.

MODEL 46376x65B

REPAIR PARTS STEERING

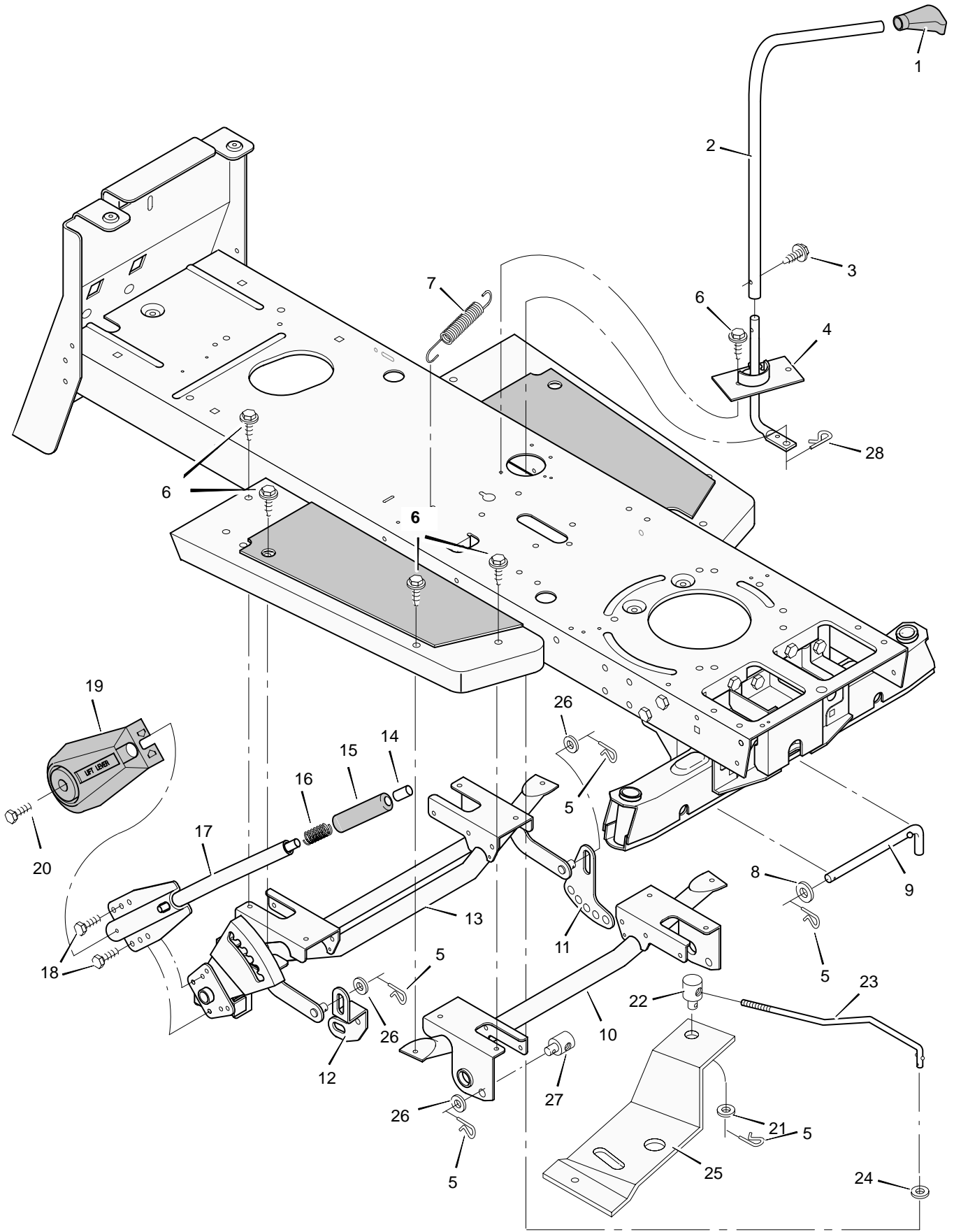


| Key No. | Description | Part No. |
|----------------|--------------------------------------|-----------------|
| 1 | Wheel, Steering | 92076 |
| 2 | Nut, Hex | 15x118 |
| 3 | Bolt, Hex | 1x66 |
| 4 | Bellows | 54789 |
| 5 | Post Assembly, Steering | 93039 |
| 6 | Screw | 26x249 |
| 7 | Washer (Incl'd with Key No. 5) | 17x177 |
| 8 | Pin, Spring (Incl'd with Key No. 5) | 32x77 |
| 9 | Gear Assembly, Pinion | 93037 |
| 10 | O-Ring (Incl'd with Key 9) | 93068 |
| 11 | Clip, Gear Retainer | 93081E701 |
| 12 | Locknut, Flange | 15x112 |
| 13 | Gear, Sector | 93062E701 |
| 14 | Support, Steering | 93038 |
| 15 | Link, Drag | 93061E701 |
| 16 | E-Ring | 11x22 |
| 17 | Arm, Drag Link | 93059E701 |
| 18 | Bearing | 93058 |
| 20 | Axle Assembly (with grease fittings) | 93219E701 |
| 21 | Hanger Assembly, Axle | 93080E701 |
| 22 | Bolt, Carriage | 2x56 |
| 23 | Locknut, Flange | 15x84 |
| 24 | Spindle Assembly, Left | 93031E701 |
| 25 | Locknut, Flange | 15x87 |
| 26 | Rod, Tie | 93060E701 |
| 27 | Pin, Pivot | 21469 |
| 28 | Pin, Cotter | 30x49 |
| 29 | Bolt, Carriage | 2x60 |
| 30 | Spindle Assembly, Right | 93030E701 |
| 31 | Bearing, Wheel (Incl'd with Key 32) | 93064 |
| 32 | Wheel & Tire Assembly | 92644-601 |
| 33 | Tire (Incl'd with Key 32)* | 24393 |
| — | Tube (Incl'd with Key 32) | 407047 |
| 34 | Stem, Valve (Incl'd with Key 32) | 24373 |
| 35 | Washer | 17x114 |
| 36 | Hub Cap (Optional) | 24582 |
| 37 | Shim | 17x75 |

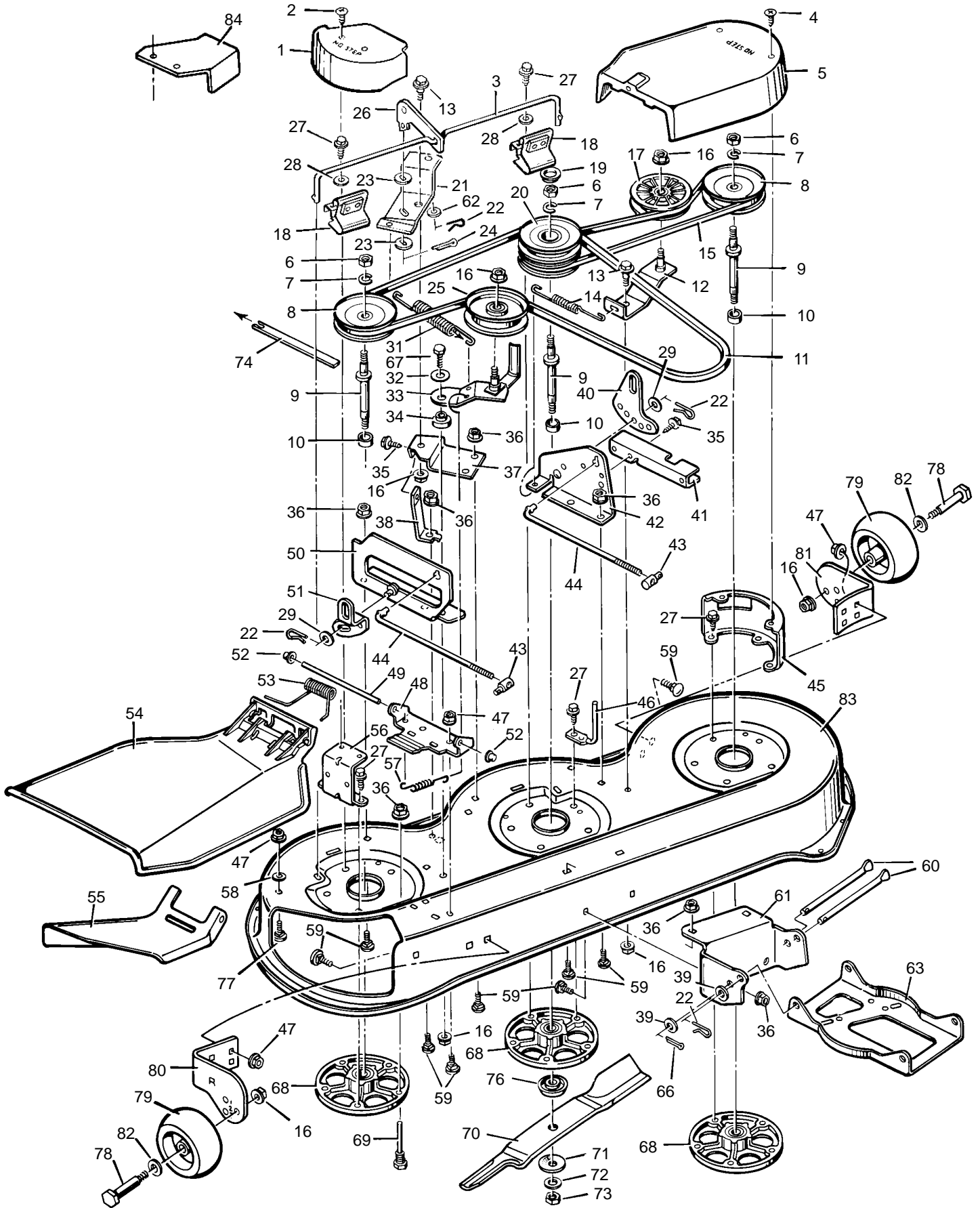
* When you order a tire, make sure to give the brand name of the tire so that the tread pattern on the tire will match.

MODEL 46376x65B

REPAIR PARTS MOWER HOUSING SUSPENSION



| Key No. | Description | Part No. |
|----------------|------------------------------|-----------------|
| 1 | Grip | 92698 |
| 2 | Lever, Blade Control | 93162Z |
| 3 | Bolt, Hex | 25x3 |
| 4 | Control Assembly, Blade | 93218E701 |
| 5 | Pin, Hair | 31x4 |
| 6 | Screw | 26x249 |
| 7 | Spring, Extension | 165x92 |
| 8 | Washer | 17x103 |
| 9 | Pin, Pull | 90827Z |
| 10 | Support Assembly, Front | 93013E701 |
| 11 | Plate, Adjuster | 93097E701 |
| 12 | Link, Suspension | 93096E701 |
| 13 | Support, Lifter | 93114E701 |
| 14 | Button, Push | 92572 |
| 15 | Grip | 92783 |
| 16 | Spring, Compression | 164x21 |
| 17 | Handle Assembly | 91823E701 |
| 18 | Screw | 26x49 |
| 19 | Cover, Lift Lever (Optional) | 92157 |
| 20 | Screw | 26x263 |
| 21 | Washer | 17x124 |
| 22 | Nut, Adjusting | 21920 |
| 23 | Rod, Blade Control | 93356Z |
| 24 | Washer | 17x47Z |
| 25 | Bracket, Pivot | 93052E701 |
| 26 | Washer | 17x91Z |
| 27 | Nut, Adjusting | 92132 |
| 28 | Pin, Hair | 31x6 |



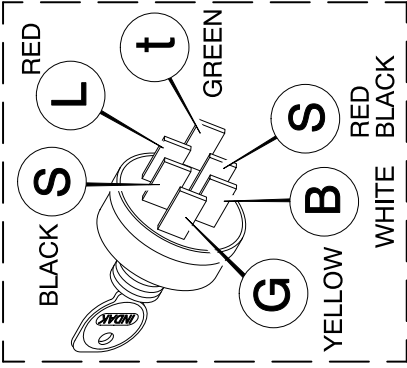
MODEL 46376x65B

REPAIR PARTS MOWER HOUSING

| Key No. | Description | Part No. | Key No. | Description | Part No. |
|---------|-----------------------------|-----------|---------|----------------------------|-----------|
| 1 | Cover, Pulley | 92145E701 | 43 | Nut, Adjuster | 92132 |
| 2 | Screw | 26x266 | 44 | Rod, Adjuster | 92134Z |
| 3 | Rod, Brake | 92129Z | 45 | Bracket, Left Cover | 92139E701 |
| 4 | Screw | 26x258 | 46 | Guide, Belt | 92116Z |
| 5 | Cover, Left Pulley | 92154E701 | 47 | Locknut | 15x88 |
| 6 | Nut, Hex | 15x100 | 48 | Bracket, Hinge | 92104E701 |
| 7 | Lockwasher | 18x33 | 49 | Rod, Deflector | 92159Z |
| 8 | Pulley | 92127 | 50 | Bracket Assembly, Lifter | 93088E701 |
| 9 | Jackshaft | 91921 | 51 | Link, Suspension | 93096E701 |
| 10 | Spacer, Bearing | 91925 | 52 | Push-On Cap | 28x23 |
| 11 | Belt, Primary Mower Drive | 37x69 | 53 | Spring, Torsion | 166x34 |
| 12 | Bracket, Idler | 92112E701 | 54 | Deflector | 92100 |
| 13 | Bolt, Shoulder | 9x39 | 55 | Deflector, Inside | 92103E701 |
| 14 | Spring, Extension | 165x79 | 56 | Bracket, Cover | 92140E701 |
| 15 | Belt, Secondary Mower Drive | 37x66 | 57 | Spring, Extension | 165x86 |
| 16 | Locknut | 15x84 | 58 | Washer | 17x57Z |
| 17 | Pulley, Idler | 91590 | 59 | Bolt, Carriage | 2x53Z |
| 18 | Spring Assembly, Brake | 92148 | 60 | Rod, Hanger | 91739Z |
| 19 | Plug | 92169 | 61 | Bracket, Front Hanger | 93126E701 |
| 20 | Pulley, Stack | 92128 | 62 | Washer | 17x124 |
| 21 | Bracket, Pivot | 93052E701 | 63 | Hanger, Front | 92119E701 |
| 22 | Pin, Hair | 31x4 | 66 | Pin, Cotter | 30x49 |
| 23 | Washer | 17x171Z | 67 | Bolt, Hex | 1x111Z |
| 24 | Pin, Cotter | 30x33 | 68 | Housing, Mandrel | 92573 |
| 25 | Pulley, Idler | 91801 | 69 | Guide, Belt | 91754Z |
| 26 | Link, Brake | 92130Z | 70 | Blade (3 required) | 92351E701 |
| 27 | Screw | 25x6 | 71 | Washer, Belleville | 17x166 |
| 28 | Washer | 10851Z | 72 | Washer | 17x165 |
| 29 | Washer | 17x91Z | 73 | Nut, Hex | 15x100 |
| 31 | Spring, Extension | 165x80 | 74 | Indicator, Plastic | 92163 |
| 32 | Washer | 17x168Z | 76 | Adapter, Blade | 92466 |
| 33 | Bracket, Idler | 92220E701 | 77 | Bolt, Carriage | 2x73 |
| 34 | Bushing | 92180 | 78 | Bolt, Shoulder | 9x23 |
| 35 | Screw | 26x249 | 79 | Wheel, Gauge | 92683 |
| 36 | Nut, Hex | 15x79Z | 80 | Bracket, Right Gauge Wheel | 92259E701 |
| 37 | Support, Pivot | 92115E701 | 81 | Bracket, Left Gauge Wheel | 92258E701 |
| 38 | Strut, Pivot | 92158E701 | 82 | Washer | 17x102 |
| 39 | Washer | 17x103 | 83 | Housing, Mower | 92257E701 |
| 40 | Plate, Adjuster | 93097E701 | 1-83 | Mower Housing, Complete | 403341 |
| 41 | Channel, Left Cover | 92138E701 | 84 | Guard | 93130E701 |
| 42 | Bracket Assembly, Lifter | 92109E701 | | | |

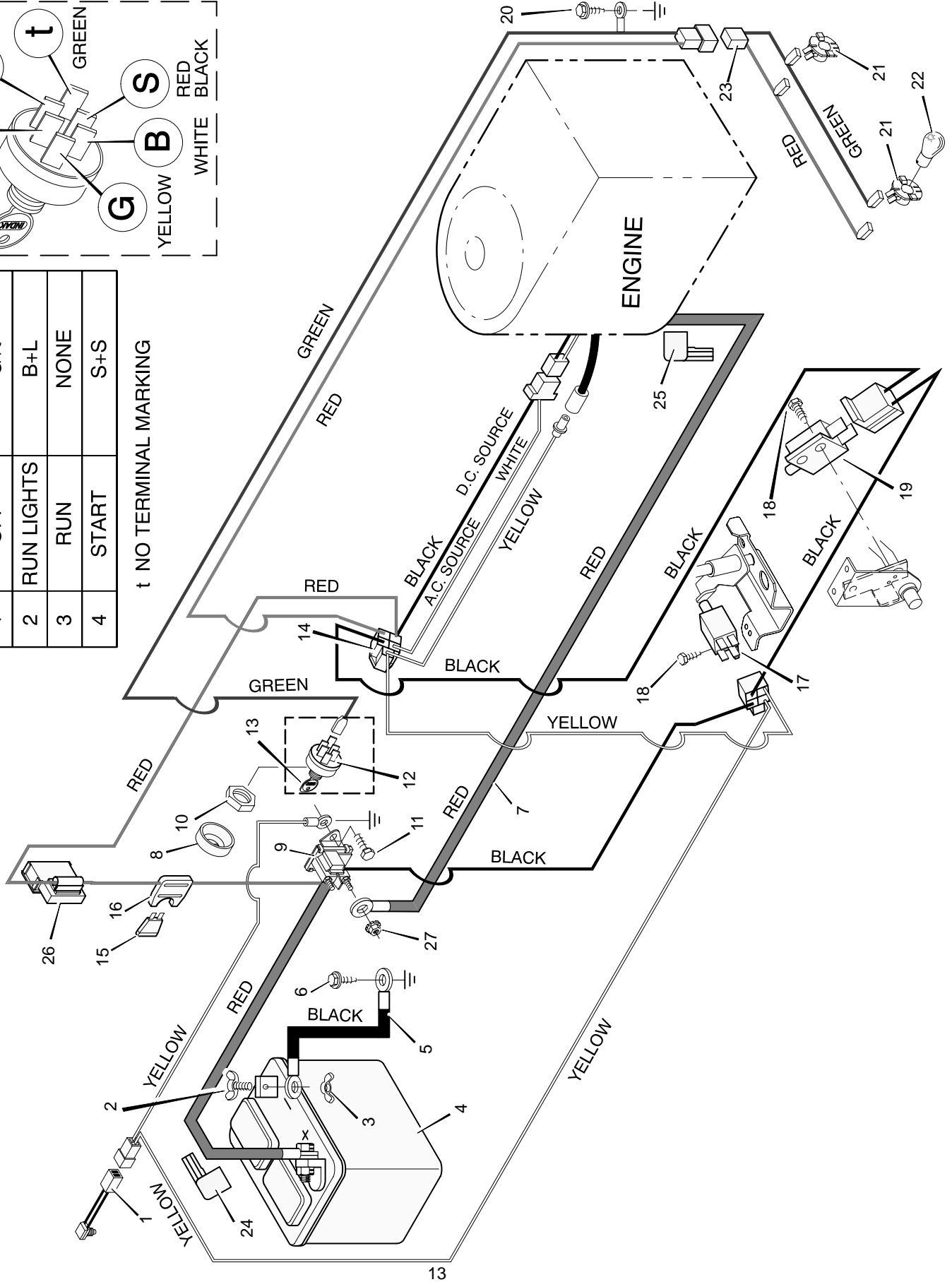
MODEL 46376x65B

REPAIR PARTS ELECTRICAL SYSTEM



| POS. | FUNCTION | CIRCUIT (MAKE) |
|------|------------|----------------|
| 1 | OFF | G+t |
| 2 | RUN LIGHTS | B+L |
| 3 | RUN | NONE |
| 4 | START | S+S |

t NO TERMINAL MARKING



| Key No. | Description | Part No. |
|----------------|-----------------------------|-----------------|
| 1 | Switch, Seat Sensor | 91031 |
| 2 | Bolt | 6x99 |
| 3 | Wingnut | 14x79 |
| 4 | Battery | 91414 |
| — | Acid, Battery (Electrolyte) | 55702 |
| 5 | Cable, Battery Ground | 24x9 |
| 6 | Screw | 26x249 |
| 7 | Cable, Red Battery | 24x29 |
| 8 | Cap, Ignition | 91488 |
| 9 | Solenoid | 24285 |
| 10 | Nut | 91489 |
| 11 | Screw | 26x214 |
| 12 | Switch, Ignition | 92377 |
| 13 | Key, Ignition | 20729 |
| 14 | Harness, Chassis Wire | 250x53 |
| 15 | Fuse | 54212 |
| 16 | Holder, Fuse | 407078 |
| 18 | Screw | 26x233 |
| 19 | Switch, Clutch | 24273 |
| 20 | Screw | 25x2 |
| 21 | Socket, Light | 92372 |
| 22 | Bulb, Light | 90084 |
| 23 | Harness, Light Wire | 250x40 |
| 24 | Cover, Terminal | 54148 |
| 25 | Cover, (Optional) | 24196 |
| 26 | Ammeter | 93156 |
| 27 | Locknut | 15x116 |