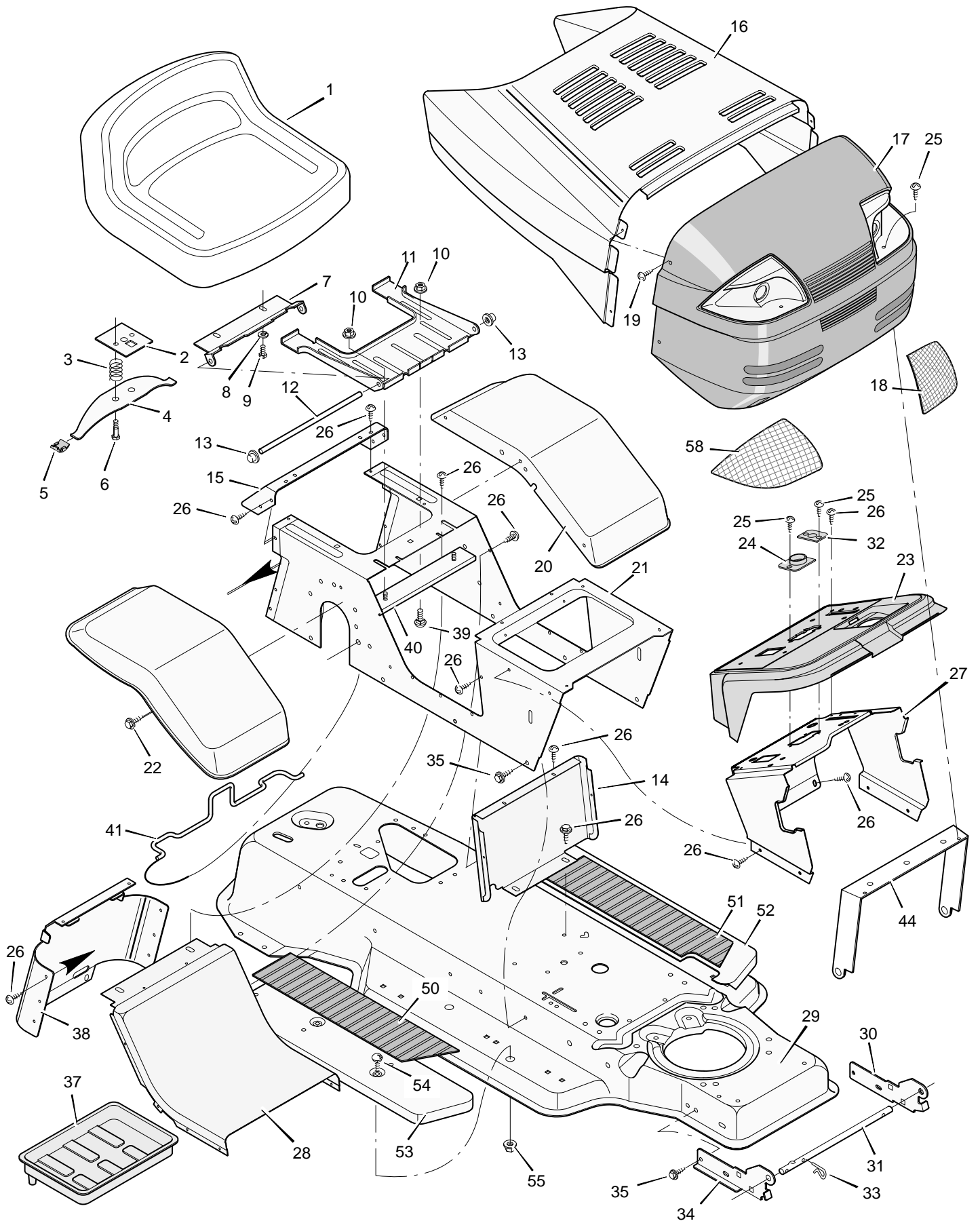


# MODEL 42911x65B

# REPAIR PARTS CHASSIS & HOOD



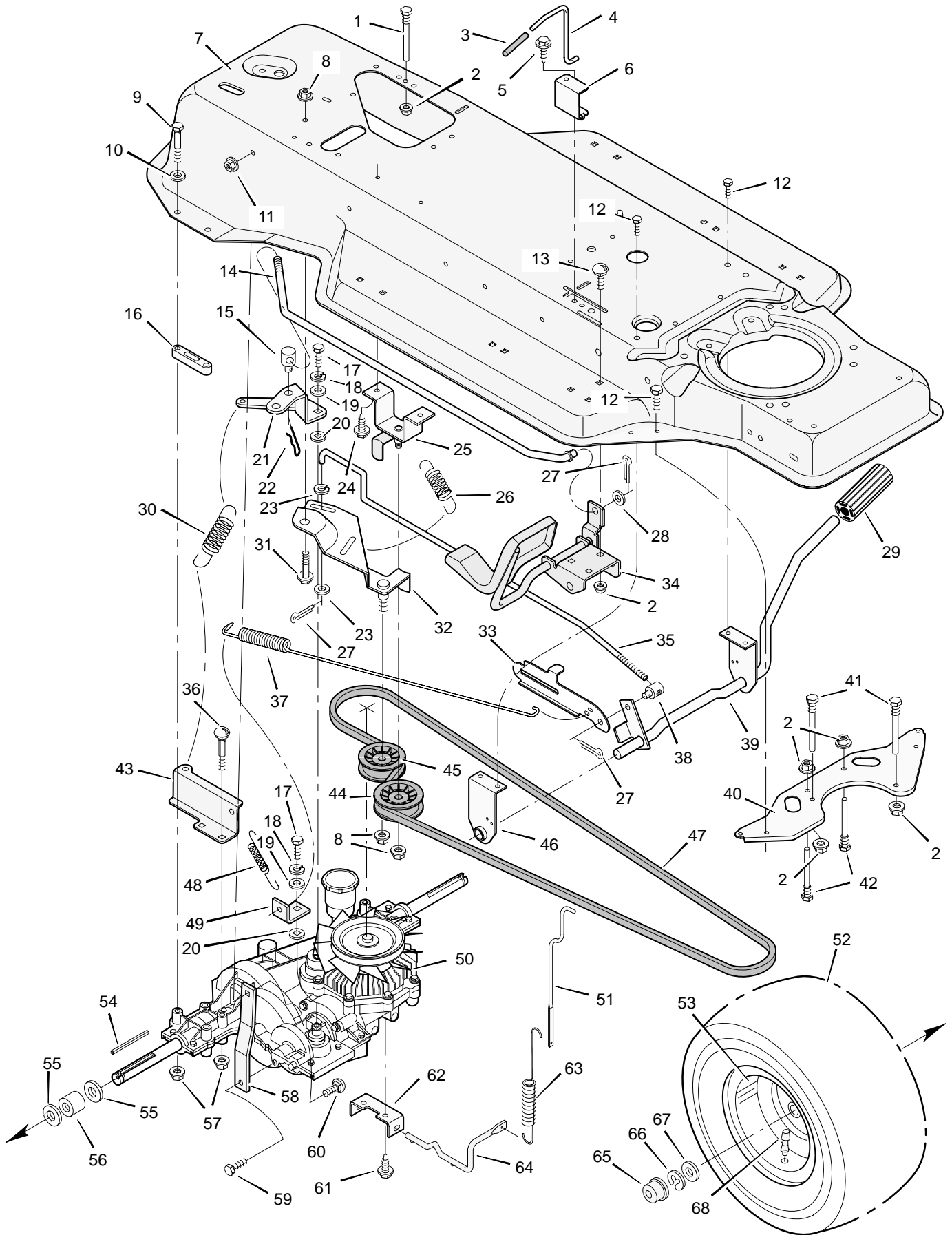
# MODEL 42911x65B

# REPAIR PARTS CHASSIS & HOOD

Key No.	Description	Part No.	Key No.	Description	Part No.
1	Seat	92606	30	Bracket, Left Grille	92347E701
2	Plate Assembly, Switch	91963Z	31	Rod, Pivot	93137Z
3	Spring, Compression	164x26	32	Bearing	93155
4	Spring, Seat	91964	33	Pin, Hair	31x4
5	Glide, Spring	91822	34	Bracket, Right Grille	92346E701
6	Bolt, Shoulder	9x38	35	Screw	26x249
7	Support, Seat	92334E701	37	Tray, Battery	91895
8	Lockwasher	18x16	38	Cap, Console	92443F200
9	Bolt, Hex	1x45	39	Bolt	2x64
10	Locknut, Flange	15x88	40	Channel Assembly	91857E701
11	Bracket, Pivot	92546E701	41	Clamp, Battery	92725Z
12	Rod, Pivot	91730E701	44	Brace, Grille	92541Z
13	Cap, Push On	28x23	45	Washer	17x38Z
14	Insert, Front	92548F200	46	Bolt, Hex	6x100
15	Fender, Apron	91724E701	50	Mat, Right	92650
16	Hood	93215F200	51	Mat, Left	92649
17	Grille Assembly (includes Lens)	92542	52	Running Board, Left	92589F200
18	Lens, Left	92540	53	Running Board, Right	92588F200
19	Screw	9x47	54	Bolt, Carriage	2x53
20	Fender	92328F200	55	Nut, Flange	15x79
21	Console Assembly	92729F200	58	Lens, Right	92539
22	Screw	26x263	—	Book, Instruction (English)	F-96817
23	Dash Panel	93134	—	Repair Parts Book	F-96818
24	Bearing, Steering	93135	—	Decal, Left Hood	44x4101
25	Screw	26x239	—	Decal, Right Hood	44x4100
26	Screw	26x270	—	Decal, Left Console	44x5203
27	Support, Dash	93136E701	—	Decal, Right Console	44x5202
28	Insert, Rear	92549F200	—	Decal, Warning	44x2587
29	Frame Assembly	92815F200	—	Plaque, Name (Hood)	280x57

# MODEL 42911x65B

# REPAIR PARTS MOTION DRIVE



# MODEL 42911x65B

# REPAIR PARTS MOTION DRIVE

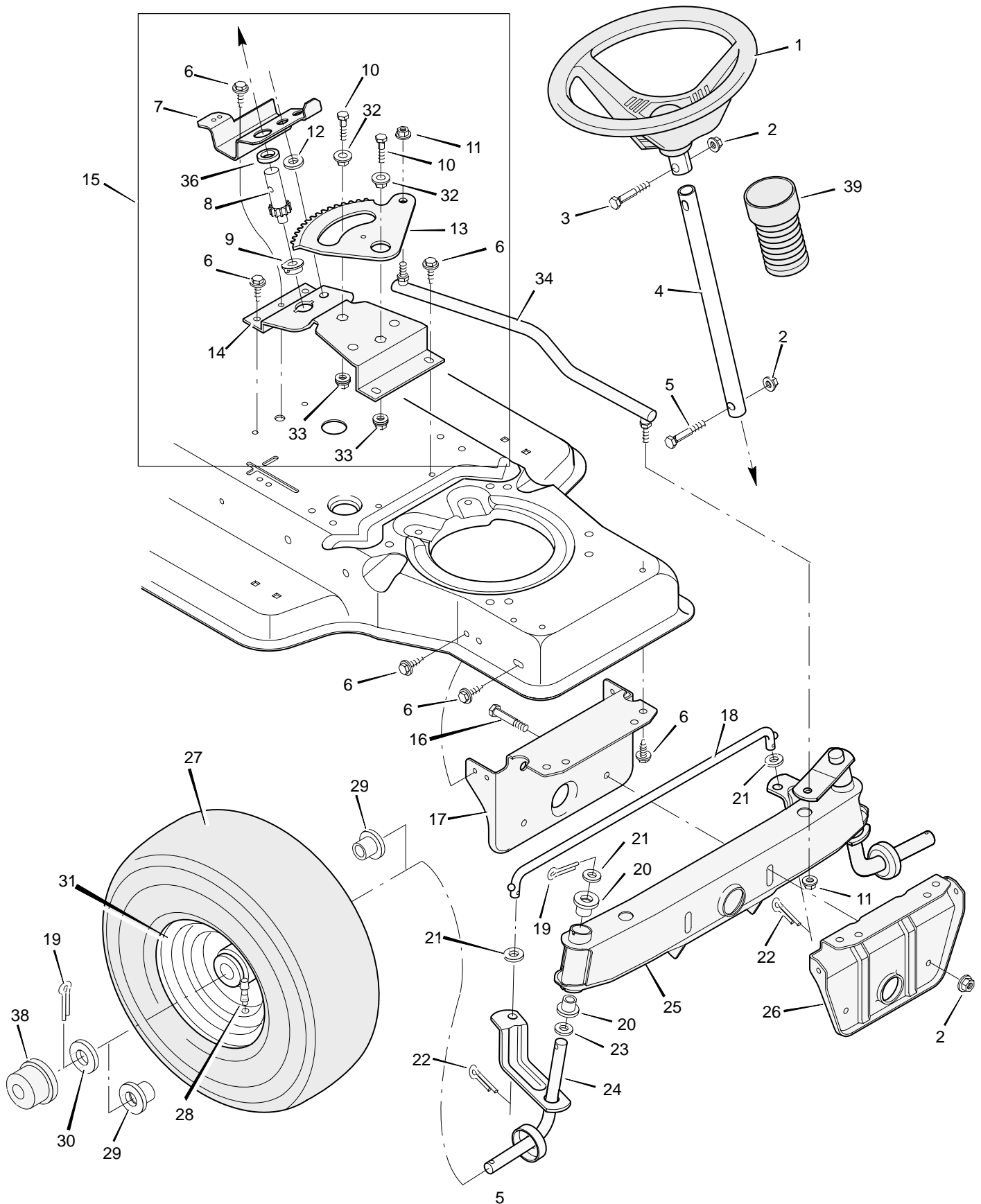
Key No.	Description	Part No.	Key No.	Description	Part No.
1	Guide, Belt	92632	36	Carriage Bolt	2x58
2	Nut, Flange	15x79	37	Spring, Extension	165x101
3	Grip	92724	38	Nut, Adjusting	21920
4	Rod, Parking Brake	91727S	39	Pedal Lever Assembly	91862E701
5	Screw	26x214	40	Plate, Belt Guide	92694E701
6	Bracket, Guide	91825E701	41	Screw, Guide	91754Z
7	Frame Assembly	92815E245	42	Screw, Guide	20619Z
8	Nut, Flange	15x84	43	Bracket, Spring Mount	92706Z
9	Bolt	1x118	44	Idler Pulley	91178
10	Washer	17x146	45	Idler Pulley	91179
11	Nut, Flange	15x79	46	Support, Pedal	91713E701
12	Screw	26x249	47	V-Belt	37x80
13	Bolt, Carriage	2x53	48	Spring, Extension	165x92
14	Rod, Control	92631Z	49	Lever, Brake	92569E701
15	Nut, Adjusting	92132	50	Transaxle	‡
16	Spacer, Hydro	92682	51	Rod, Dump Valve	92674Z
17	Bolt	1x82	52	Wheel & Tire Assembly	92511-601
18	Lockwasher	18x32	53	Tire (Included with Key No. 52) *	407926
19	Washer	17x38	—	Tube (Included with Key No. 52)	407049
20	Washer	17x148	54	Square Key	21553
21	Lever, Control	92594Z	55	Washer	17x160
22	Hair Pin	31x4	56	Spacer, Wheel	87x100Z
23	Washer	17x47	57	Nut, Flange	15x115
24	Screw	26x249	58	Strap, Torque	92568E701
25	Idler Mount Assembly	92565E701	59	Screw	26x216
26	Spring, Extension	165x98	60	Carriage Bolt	2x64
27	Cotter Pin	30x20	61	Screw	25x9
28	Washer	17x57	62	Bracket, Dump Valve	92603Z
29	Pedal	21544	63	Spring, Extension	165x104
30	Spring, Extension	165x99	64	Rod, Dump Valve	93247Z
31	Shoulder Bolt	9x39	65	Hub Cap (Optional)	24582
32	Idler Bracket Assembly	92737Z	66	E-Ring	11x3
33	Latch, Parking Brake	91712Z	67	Washer	17x115
34	Pedal Assembly	92676E701	68	Valve Stem	24373
35	Clutch Rod	91808Z			

\* When you order a tire, make sure to give the brand name of the tire so that the tread pattern on the tire will match.

‡ Parts are available from a Authorized Service Center. See the classified pages of the telephone directory

# MODEL 42911x65B

# REPAIR PARTS STEERING



# MODEL 42911x65B

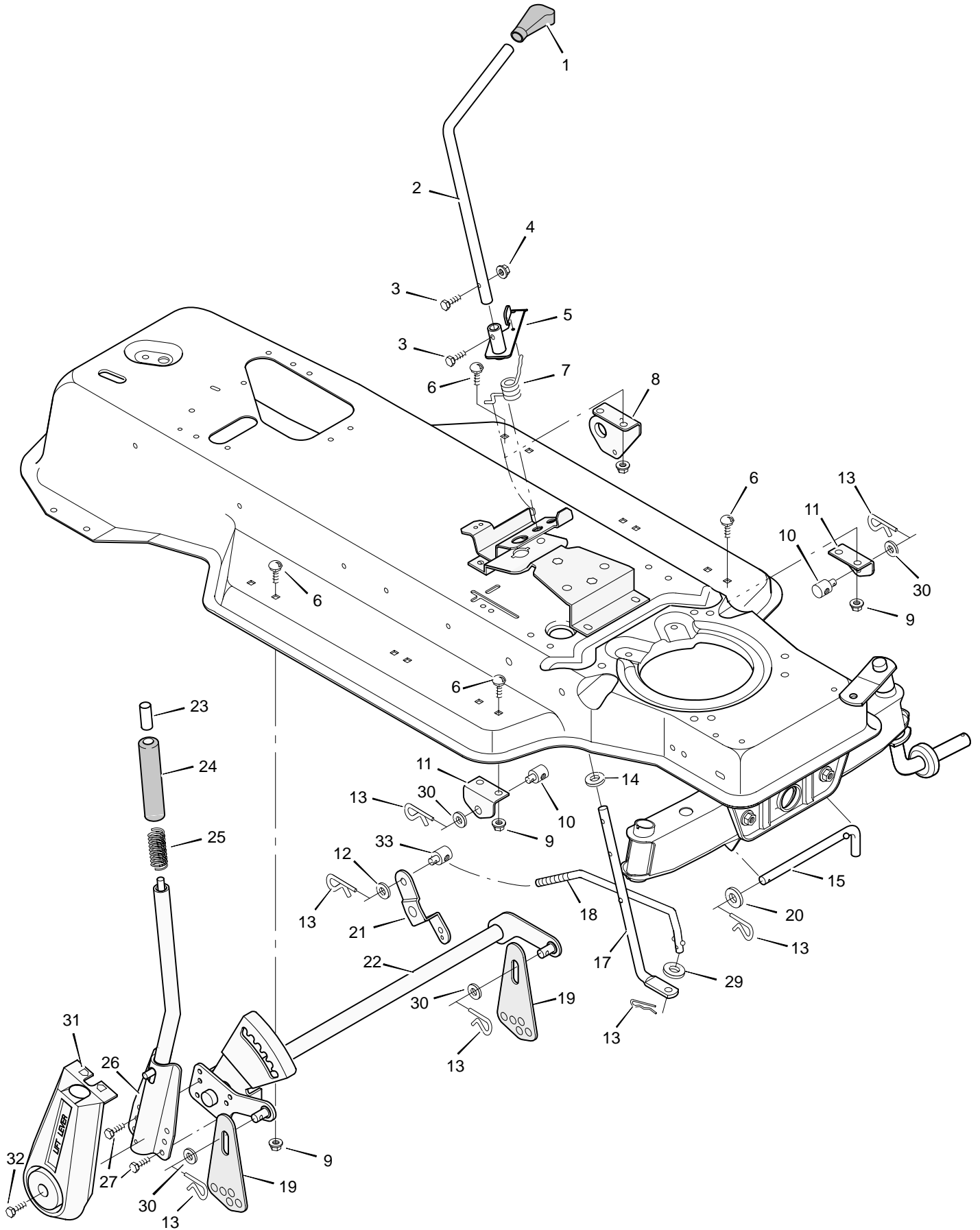
# REPAIR PARTS STEERING

Key No.	Description	Part No.
1	Wheel, Steering	92078
2	Nut, Hex	15x118
3	Bolt, Hex	1x66
4	Post, Steering	91860Z
5	Bolt, Hex	1x74
6	Screw	26x249
7	Bracket, Sector	91716E701
8	Gear, Pinion	92715
9	Bearing	92716
10	Bolt, Hex	1x84
11	Locknut, Flange	15x87
12	Spacer	92564
13	Gear, Sector	92316
14	Bracket, Sector	91708E701
15	Kit, Steering Gear	402075
16	Bolt, Hex	1x146
17	Support, Rear Axle	92529E701
18	Rod, Tie	90038E701
19	Pin, Cotter	30x49
20	Bearing	92527
21	Washer	17x57
22	Pin, Cotter	30x20
23	Washer	17x113
24	Spindle Assembly, Right	91828E701
25	Spindle Assembly, Axle & Left	92519E701
26	Support, Front Axle	92528E701
27	Tire*	407924
—	Tube	407047
28	Stem, Valve	24373
29	Bearing, Wheel	91334
30	Washer	17x115
31	Wheel & Tire Assembly	92641-601
32	Bearing	92097
33	Locknut, Flange	15x113
34	Link, Drag	91749E701
36	Spacer, Pinion Gear	92280
38	Hub Cap (Optional)	24582
39	Bellows	54789

\* When you order a tire, make sure to give the brand name of the tire so that the tread pattern on the tire will match.

# MODEL 42911x65B

# REPAIR PARTS MOWER HOUSING SUSPENSION



# MODEL 42911x65B

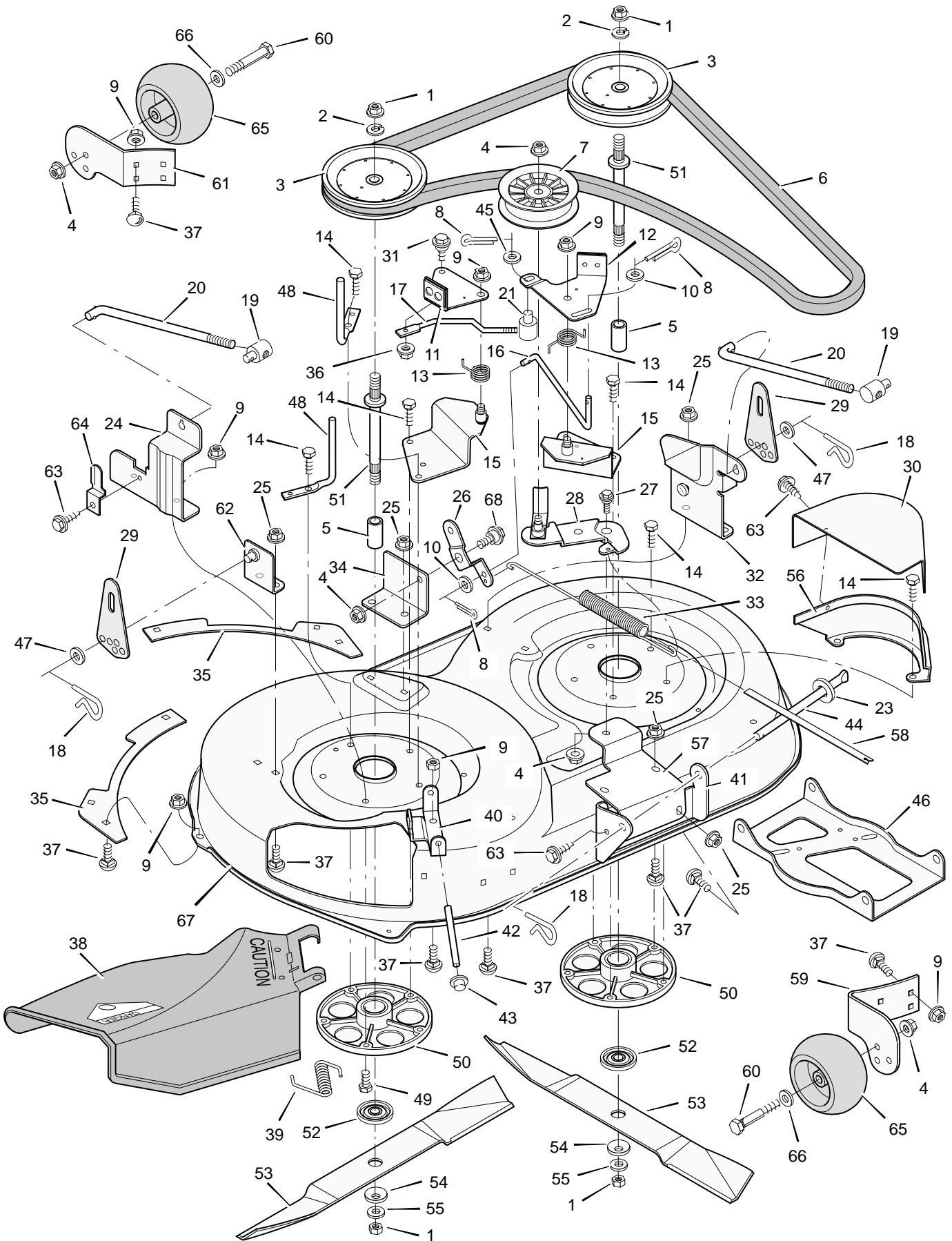
# REPAIR PARTS MOWER HOUSING SUSPENSION

Key No.	Description	Part No.
1	Grip	92698
2	Control, Blade Rotation	92238Z
3	Bolt, Hex	25x3
4	Locknut, Hex	15x67
5	Lever Assembly, Switch	91917E701
6	Bolt, Carriage	2x53
7	Spring, Torsion	166x32
8	Bracket, Rear Hanger	92066E701
9	Nut, Flange	15x79
10	Nut, Adjusting	92131
11	Bracket, Adjuster Rod	92133E701
12	Washer	17x124
13	Pin, Hair	31x4
14	Washer	17x122
15	Pin, Pull	90827Z
17	Lever, Lower Blade Control	91787E701
18	Rod, Blade Control	91795Z
19	Plate, Adjuster (2)	92702E701
20	Washer	17x103
21	Bracket, Pivot	92033E701
22	Lifter Assembly	92065E701
23	Button, Push	92572
24	Grip	92783
25	Spring, Compression	164x21
26	Handle Assembly	91823E701
27	Screw	26x49
29	Washer	17x47Z
30	Washer	17x91Z
31	Cover, Lift Lever (Optional)	92157
32	Screw	26x263
33	Nut, Adjusting	21920



# MODEL 42911x65B

# REPAIR PARTS MOWER HOUSING



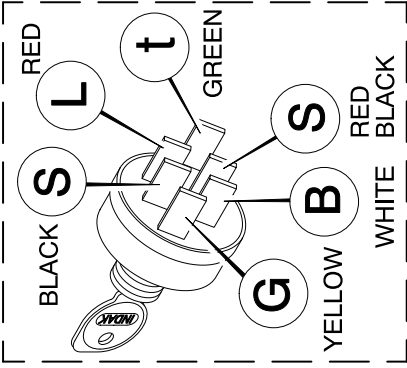
# MODEL 42911x65B

# REPAIR PARTS MOWER HOUSING

Key No.	Description	Part No.	Key No.	Description	Part No.
1	Nut, Hex	15x100	36	Locknut, Flange	15x89
2	Lockwasher	18x33	37	Bolt, Carriage	2x53
3	Pulley, Jackshaft	92425	38	Deflector Assembly, Chute	92465SE
4	Locknut, Flange	15x84	39	Spring, Torsion	166x4
5	Spacer	91903	40	Bracket, Hinge	91765E701
6	Belt, Blade Drive	37x75	41	Bracket, Front Hanger	92405E701
7	Pulley, Idler	91801	42	Rod, Deflector	91767Z
8	Pin, Cotter	30x20	43	Cap, Push On	28x23
9	Locknut, Flange	15x88	44	Rod, Hanger	91739Z
10	Washer	17x46Z	45	Washer	17x124
11	Brake Assembly, Right	92413E701	46	Hanger, Front	92119E701
12	Brake Assembly, Left	92411E701	47	Washer	17x91Z
13	Spring, Torsion	166x27	48	Rod, Belt Guide	92424E701
14	Bolt, Hex	25x7	49	Bolt, Hex	1x139
15	Bracket Assembly, Brake	92415E701	50	Housing, Jackshaft	92573
16	Rod, Brake	92421Z	51	Jackshaft	91922
17	Rod, Cross Link	92420Z	52	Adapter, Blade	92466
18	Pin, Hair	31x4	53	Blade, 42" (2 required)	92419E701
19	Nut, Adjustable	92132	54	Washer, Belleville	17x166
20	Rod, Adjuster	92134Z	55	Washer	17x165
21	Nut, Adjustable	21920	56	Bracket, Pulley Cover	92416E701
23	Washer	17x103	57	Bracket, Idler Mount	92406E701
24	Bracket, Right	92402E701	58	Indicator, Plastic	92163
25	Nut, Flange	15x79	59	Bracket, Right Wheel	92422E701
26	Bracket, Pivot	92033E701	60	Bolt, Shoulder	9x23
27	Bolt, Shoulder	9x39	61	Bracket, Left Wheel	92423E701
28	Arm Assembly, Idler	92032E701	62	Bracket Assembly, Right Lifter	92409E701
29	Plate, Adjuster	92702E701	63	Screw	26x249
30	Cover, Pulley	92417E701	64	Guide, Belt	91973E701
31	Bolt, Shoulder	9x40	65	Wheel, Gauge	92683
32	Bracket Assembly, Left Lifter	93275E701	66	Washer	17x102
33	Spring, Extension	165x72	67	Housing, Blade	92401E701
34	Bracket, Pivot	92407E701	68	Bolt, Shoulder	9x42
35	Plate	92426E701	1-68	Complete Mower Housing Assembly	403347

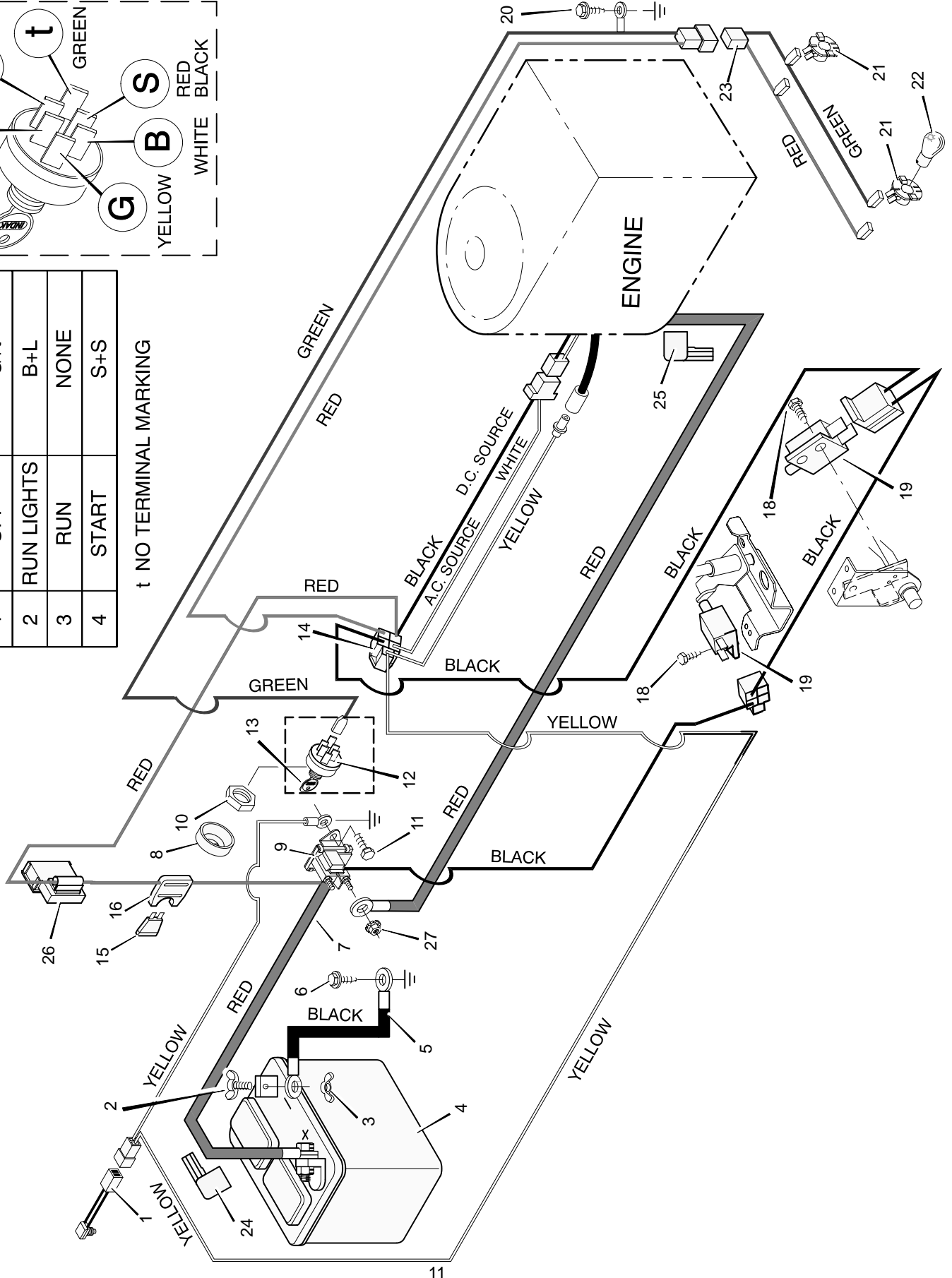
# MODEL 42911x65B

# REPAIR PARTS ELECTRICAL SYSTEM



POS.	FUNCTION	CIRCUIT (MAKE)
1	OFF	G+t
2	RUN LIGHTS	B+L
3	RUN	NONE
4	START	S+S

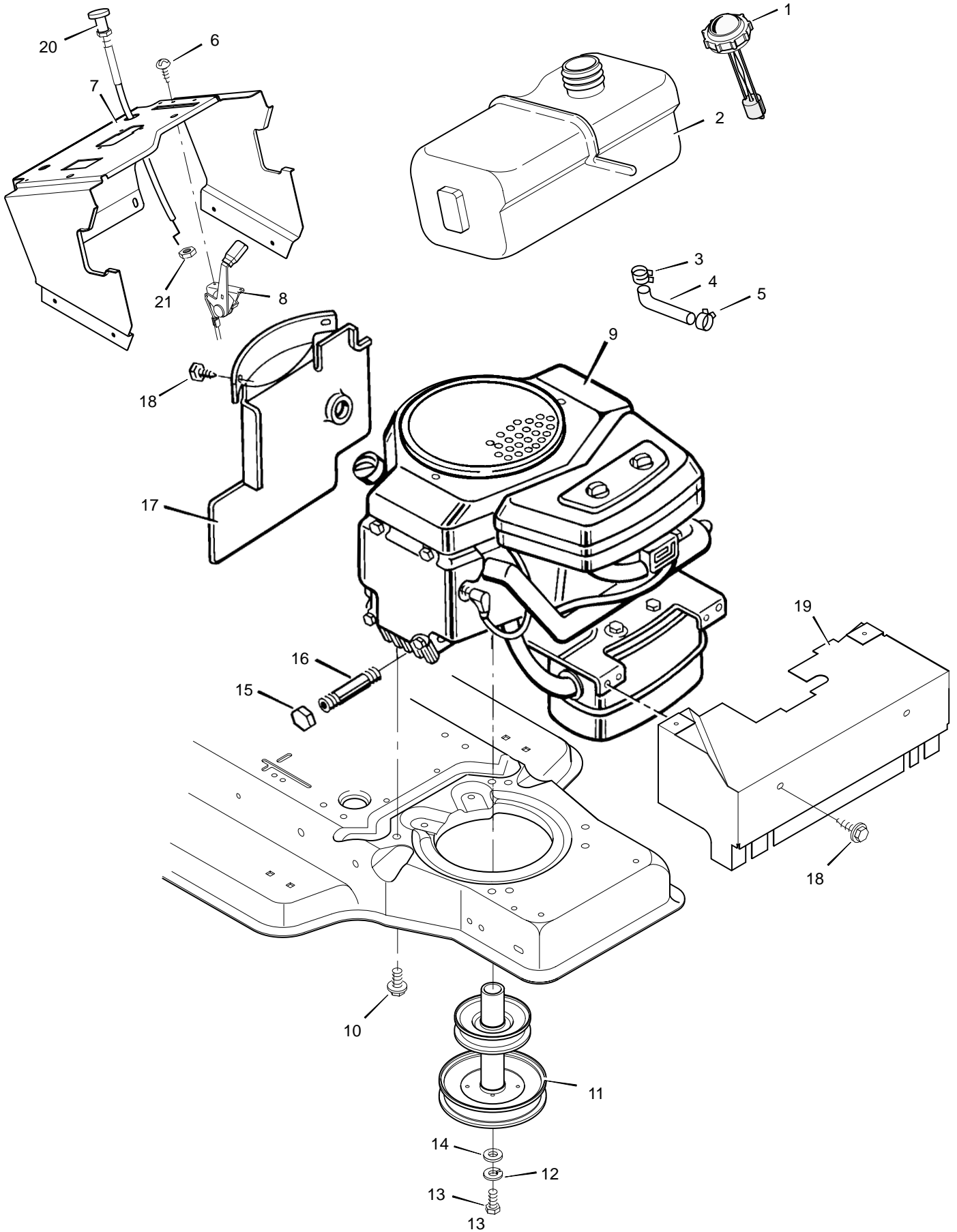
t NO TERMINAL MARKING



<b>Key No.</b>	<b>Description</b>	<b>Part No.</b>
1	Switch, Seat Sensor	91031
2	Bolt	6x99
3	Wingnut	14x79
4	Battery	91414
—	Acid, Battery (Electrolyte)	55702
5	Cable, Battery Ground	24x9
6	Screw	26x249
7	Cable, Red Battery	24x29
8	Cap, Ignition	91488
9	Solenoid	24285
10	Nut	91489
11	Screw	26x214
12	Switch, Ignition	92377
13	Key, Ignition	20729
14	Harness, Chassis Wire	250x59
15	Fuse	54212
16	Holder, Fuse	407078
18	Screw	26x233
19	Switch, Clutch	24273
20	Screw	25x2
21	Socket, Light	92372
22	Bulb, Light	90084
23	Harness, Light Wire	250x40
24	Cover, Terminal	54148
25	Cover, (Optional)	24196
26	Ammeter	93156
27	Locknut	15x116

# MODEL 42911x65B

# REPAIR PARTS ENGINE MOUNT



<b>Key No.</b>	<b>Description</b>	<b>Part No.</b>
1	Fuel Cap	91348
2	Fuel Tank	92597
3	Hose Clamp	91174
4	Fuel Line	93198
5	Hose Clamp	91174
6	Screw	26x201
7	Support, Dash	93136E701
8	Throttle Control	93165
9	Engine*	———
10	Bolt, Engine Mount	25x7
11	Stack Pulley Assembly	93245Z
12	Lockwasher	19x35
13	Bolt, Hex	1x140
14	Washer	17x170
15	Cap, Oil Drain	21651
16	Pipe, Oil Drain	92279
17	Baffle, Rear Engine	93078E701
18	Screw	25x2
19	Baffle, Front Engine	93191E701
20	Choke	91326
21	Washer	19x8

\* Parts are available from a Briggs & Stratton Authorized Service Center. See "Engines, Gasoline" or "Gasoline Engines" in the yellow pages of the telephone directory.