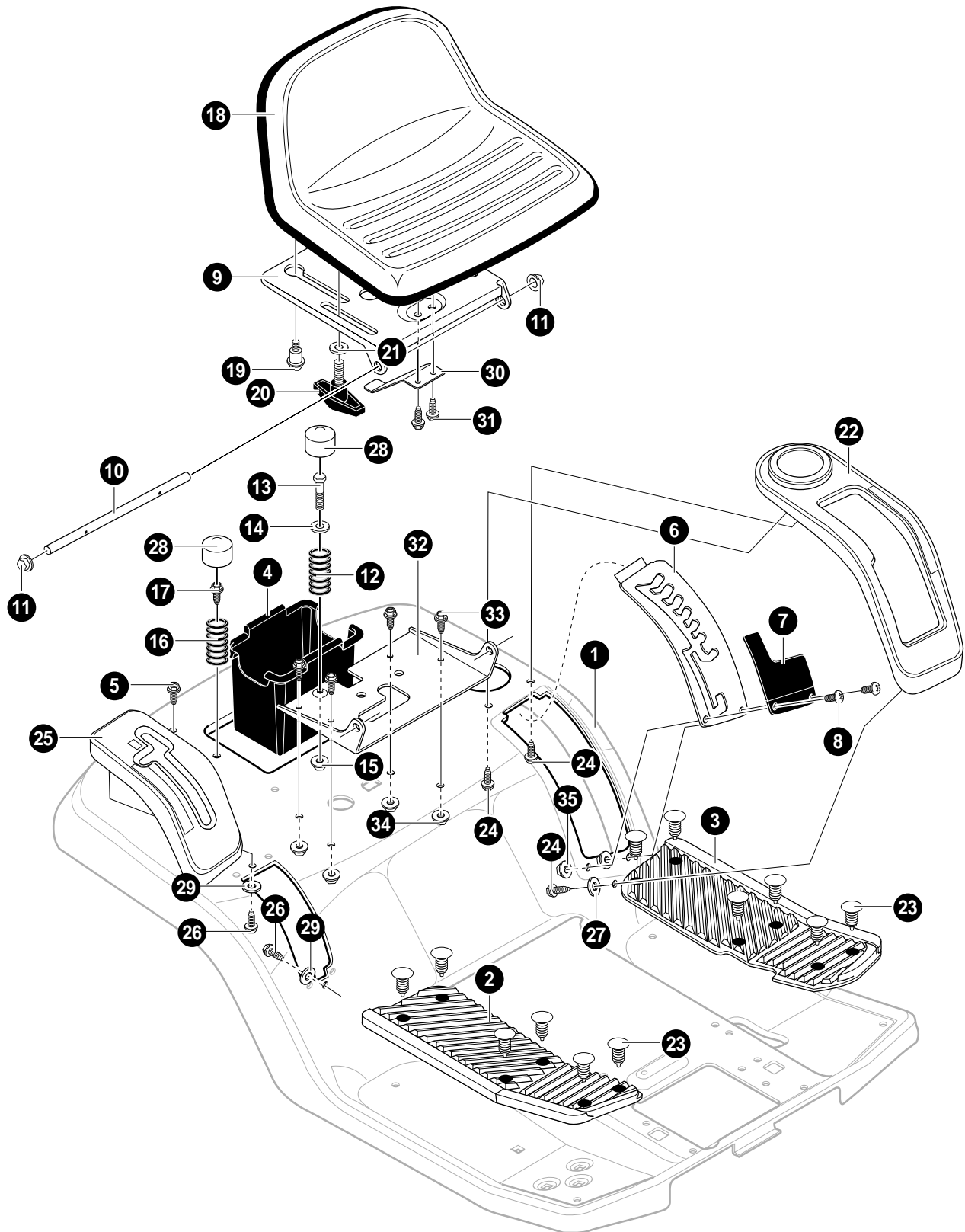


KEY #	PART #	DESCRIPTION	QTY
1	690011-853	ASM. BUMP/GRILLE	1
2	711653	SCREW, 5/16-18X1.50 HHWATAP	4
5	94455-810	GRILLE	1
6	710313	NUT, "J" TINNERMAN #C702-1420	3
7	711642	SCREW, 1/4-20X.63 HHWAWTAP	3
8	95234	ASM., LENS & REFLECTOR	1
8-1	94459	LENS	1
8-2	94460	REFLECTOR	1
10	710197	SCREW, 1/4-14X.50PANCR	2
12	690052-810	ASM., HOOD W/STUDS	1
13	94458-810	PANEL, SIDE RH	1
14	94457-810	PANEL, SIDE LH	1
15	710184	BOLT, .497X.215HHSH 3/8-16	2
16	710067	WASHER, PLASTIC	2
17	690114	PIVOT, BASE	2
18	711622	NUT, 3/8-16 HWDFLK MACK	2
19	690113	CAP, PIVOT	2
20	94474	QUICK RELEASE-CAM	4
21	710314	SPRING, COMP	4
22	325232	NUT, WING 1/4-20 NYLON	4
23	313674	SCREW, 1/4-20X1.25	4
26	95291-810	ASM. CONSOLE	1
26-1	95173	CONSOLE, W EXT/HOLE	1
26-2	94465	BRACKET, LH	1
26-3	94464	BRACKET, RH	1
26-4	710196	SCREW, 10-24X.500 TRSEGI	6
27	711606	SCREW, 5/16-18X.75 HHWATAP	6
32	690040	DASH	1
33	711629	SCREW, 10-24X.500 TRSEGI	2
34	711629	SCREW, 10-24X.500TRSEGI	2
35	94075	STEERING BRACKET	1
36	710197	SCREW, 1/4-14X.50 PANCR	2
40	94519-810	STRUT, GRILLE	2
41	711642	SCREW, 1/4-20X.63 HHWATAP	2
42	710979	SPEED NUT	2
44	643129	LANYARD HOOD	1
45	711677	PUSHNUT, .250DIA.	1
46	711674	SCREW, 1/4-20X.63PHPNHD	2
47	710313	NUT, "J" TINNERMAN	2
48	55021	TRIM PIECE PLASTIC (2 REQUIRED)	9.50 IN.
49	55021	TRIM PIECE PLASTIC	26.80 IN.
50	93007-810	ACCESS PANEL	1
51	711629	SCREW, 10-24X.500TRSEGI	2
	711821	OWNER'S MANUAL	1

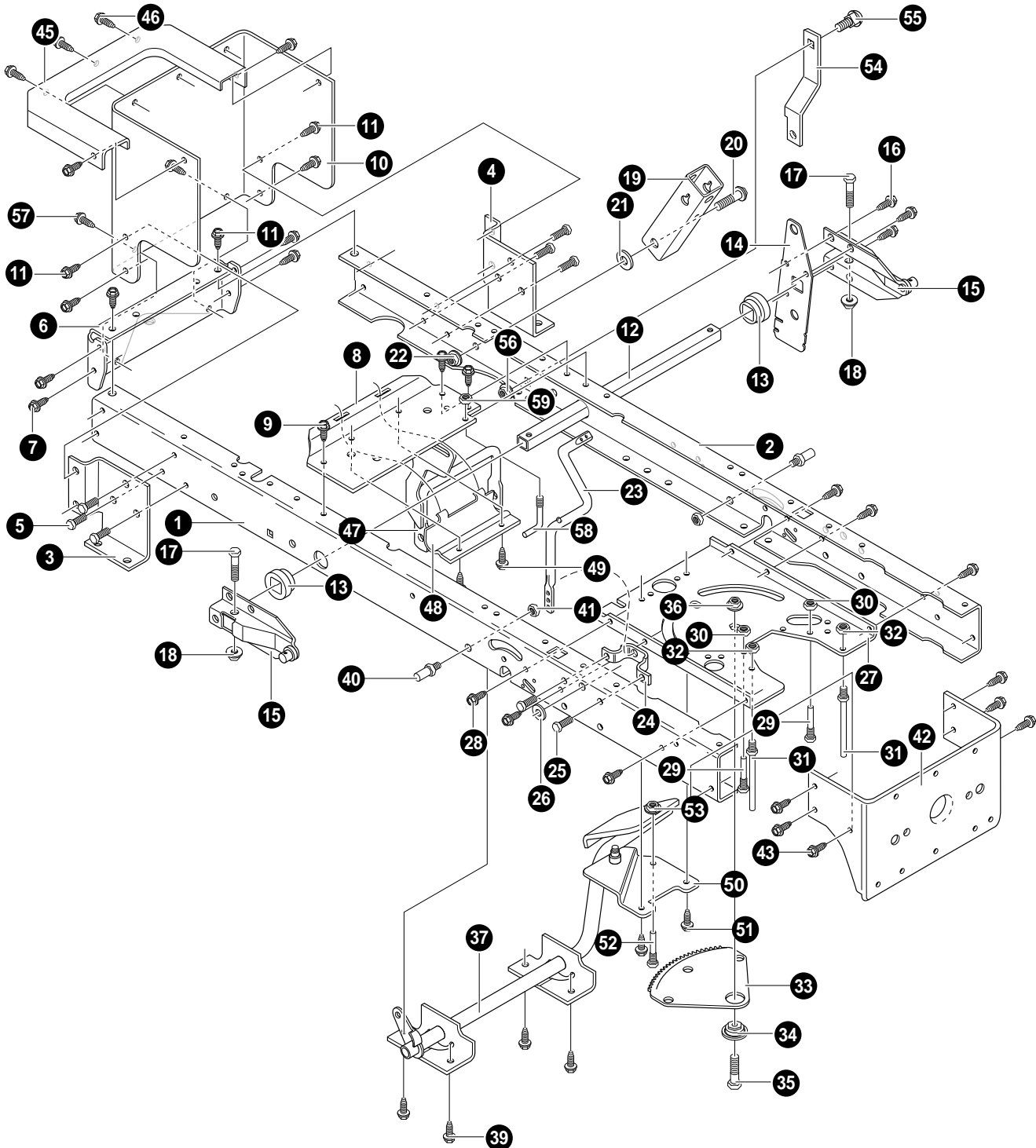


NOTE: ALWAYS USE ORIGINAL EQUIPMENT PARTS.
Use of service/replacement parts other than original
equipment parts may void your warranty.

ALL UNNUMBERED
ITEMS ARE INTERCHANGEABLE
WITH OPPOSITE SIDE

343693A

KEY NO.	PART NO.	DESCRIPTION	QTY
1	94628-810	SEAT DECK, LARGE	1
2	95409	FOOTREST PAD RH	1
3	95408	FOOTREST PAD LH	1
4	94069	CONTAINER, BATTERY	1
5	711642	SCREW, 1/4-20X .63	2
6	94886	PLATE, LIFT DETENT	1
7	-	NOT USED ON THIS UNIT	
8	711629	SCREW, LIFT DETENT LOCKOUT	2
9	94154-810	SUPPORT, SEAT	1
10	95294	ZINC HINGE SEAT PIVOT	1
11	711627	NUT, PUSH CAP	2
12	710136	SPRING, COMPRESS 4.57LG X 1.17	1
13	711610	BOLT, SHOULDER 1/4-20	1
14	95293	WASHER CUP	1
15	46931	NUT, 1/4-20 WDFL LOCK	1
16	710109	SPRING, COMPRESS 2.43LG 164X30	2
17	711606	SCREW, 5/16-18X.75	2
18	95415	SEAT	1
19	711654	BOLT, SHOULDER 5/16-18	2
20	711747	BOLT, WING 5/16-18X.50	2
21	711644	WASHER, FLAT.344X .62X.06	2
22	94469	COVER, DETENT W/CUP HOLDER	1
23	309235	FASTENER, RATCHET	12
24	711671	SCREW, 1/4-15X.44/.53	3
25	94478	COVER, HAND/FOOT HYDRO	1
26	711671	SCREW, 1/4-15X.44/.53	2
27	71067	WASHER, FLAT .286X .63X.065	1
28	20107	CAP, HUB/SEAT SPRING MO#20107	2
29	71067	WASHER, FLAT .286X.63X.065	2
30	94057	SPRING-LEAF	1
31	711592	SCREW, 1/4-20X .50 WAHHTAP	2
32	94153-810	BRACKET, PIVOT SEAT	1
33	711606	SCREW, 5/16-18X.75	4
34	711634	NUT, 5/16-18 WDFLLK	4
35	314159	NUT, #10-32 CTRLK	2

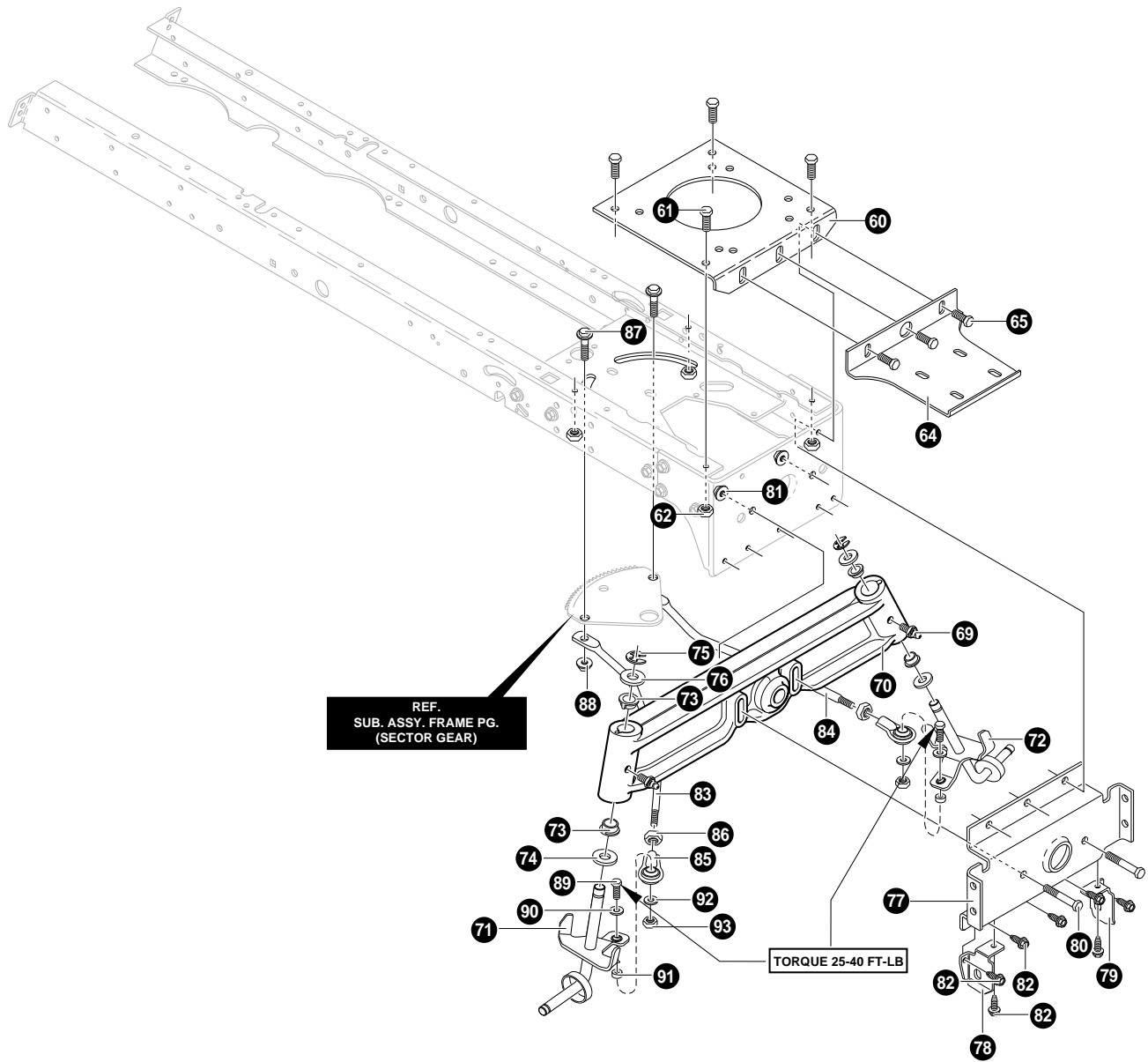


NOTE: ALWAYS USE ORIGINAL EQUIPMENT PARTS.
Use of service/replacement parts other than original
equipment parts may void your warranty.

ALL UNNUMBERED
ITEMS ARE INTERCHANGEABLE
WITH OPPOSITE SIDE

343627B

KEY PART NO.	NO.	DESCRIPTION	QTY
1	95110	FRAME,RAIL RH	1
2	95111	FRAME,RAIL LH	1
3	94184	BRACKET, TRANSAXLE RH	1
4	94185	BRACKET, TRANSAXLE LH	1
5	710079	SCREW, 5/16-18X.75HHWATAP	6
6	94002	HITCH PLATE	1
7	710079	SCREW, 5/16-18X.75HHWATAP	4
8	94431	BRACKET, IDLER/TRUNNION SUPP	1
9	710079	SCREW 5/16-18X.75HHWATAP	3
10	94187	PLATE, REAR LARGE SEAT DECK	1
11	710079	SCREW, 5/16-18X.75 HHWATAP	4
12	94063	TUBE, LIFTER	1
13	94065	BUSHING, LIFT TUBE	2
14	94030	PLATE-LIFT ARM	1
15	94180	ASSY, LIFT ARM LEVER	2
16	710106	SCREW, 5/16-18X.50WHHTAP (26X49)	3
17	710310	SCREW, 5/16-24X1.25	2
18	710080	NUT, 5/16-24 NF-2 HEXFLLK	2
19	94015	BRACKET, PIVOT	1
20	710000	BOLT, .562X1.563 HSH 3/8-16	1
21	710130	FLATWASHER .406ID (17X191)	1
22	710140	NUT, 3/8-16 HWDFLLK MACK 15X84	1
23	94019	CRANK, PTO (DRILLED)	1
24	94005	BRACKET, BELL CRANK	1
25	710079	SCREW, 5/16-18X.75HHWATAP	2
26	120395	FLATWASHER .469X.92X.065	1
27	94003	PLATE, STEERING MOUNTING	1
28	710079	SCREW, 5/16-18X.75HHWATAP	6
29	93349	SCREW GUIDE 5/16-18	2
30	710204	NUT, 5/16-18 HEXWEFLLK WHIZ	2
31	94066	SCREW-GUIDE	2
32	710204	NUT, 5/16-18 HEXWDFLLK WHIZ	2
33	94121	SECTOR GEAR	1
34	94123	BEARING, SECTOR GEAR	1
35	710312	SCREW, 5/16-18X1.00 HHC	1
36	710105	NUT, 5/16-18 HKEPS 15X113	1
37	94632	ASSEMBLY, BRAKE LEVER	1
39	710079	SCREW, 5/16-18X.75 HHWATAP	4
40	94067	PIN, THREADED SHOULDER	2
41	45171	NUT,3/8-16HWDFLWHIZ-LOCK	2
42	94013	BRACKET, HANGER REAR	1
43	710079	SCREW, 5/16-18X.75 HHWATAP	6
45	94186	TOP, REAR PLATE LARGE SEAT DECK	1
46	710196	SCREW 10-24X.500TRSEGI	5
47	94791	YOKE ASSY-TRUNNION PEERLESS	1
48	94434	CLAMP, TRUNNION PIVOT PEERLESS	1
49	710079	SCREW, 5/16-18X.75 HHWATAP	2
50	94409	ASSY, IDLER INTERMEDIATE	1
51	710708	BOLT, 5/16-18X.5 HXFLCA	2
52	93349	ZINC SCREW GUIDE 5/16-18	1
53	710204	NUT, 5/16-18 HEXWDFLLK WHIZ	1
54	94433	TORQUE STRAP - LEFT (PEERLESS)	1
55	57072	BOLT, 5/16-18X.63 CARRLN	1
56	710205	NUT, 5/16-18 WDFLLK (15X88)	1
57	710199	SCREW. 5/16-18X.5 HXFLCA	2
58	94781	SCREW-GUIDE	1
59	710204	NUT, 5/16-18 HEXWDFLLK WHIZ PL	1



NOTE: ALWAYS USE ORIGINAL EQUIPMENT PARTS.
Use of service/replacement parts other than original
equipment parts may void your warranty.

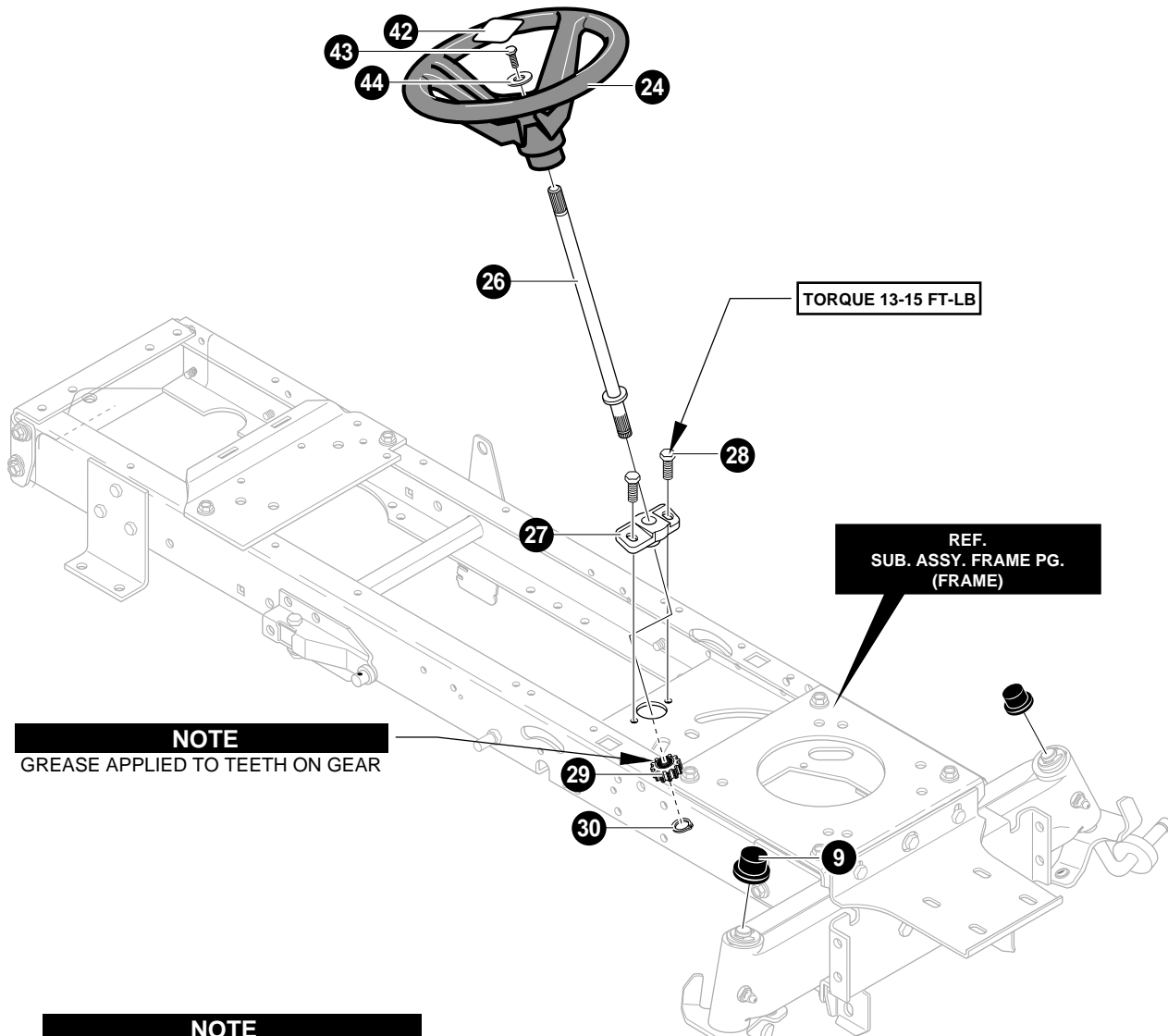
ALL UNNUMBERED
ITEMS ARE INTERCHANGEABLE
WITH OPPOSITE SIDE

343627B

KEY PART NO.	NO.	DESCRIPTION	QTY
60	94006	PLATE, ENGINE	1
61	710079	SCREW, 5/16-18X.75 HHWATAP	4
62	710205	NUT, 5/16-18 WDFLLK (15X88)	4
64	94307	BRACKET, MUFFLER	1
65	710079	SCREW, 5/16-18X.75 HHWATAP	3
69	706	ZERK, GREASE FITTING	2
70	94203	AXLE, FRONT CAST IRON	1
71	94732	SPINDLE, RH/STD. SPIN/NO BRG.	1
72	94733	SPINDLE, LH/STD. SPIN/NO BRG.	1
73	92527	BEARING, SPINDLE	4
74	710129	WASHER, FLAT .766IDX.62ID	2
75	710103	E-RING .574IDX.050/.750 SH 11X3	2
76	710088	WASHER, FLAT .765X1.81X.059	2
77	94007	HANGER, AXLE	1
78	94026	HANGER DECK RH	1
79	94027	HANGER DECK LH	1
80	710081	SCREW 5/16-24X2.75	2
81	710080	NUT, 5/16-24 NF-2 HEXFLLK	2
82	710079	SCREW 5/16-18X.75HHWATAP	7
83	94767	ROD, DRGLNK/RH/ADJUST-5/8"	1
84	94768	ROD, DRGLNK/LH/ADJUST-5/8"	1
85	94766	TIE ROD END, 1/2-20	2
86	7058	NUT, 1/2-20 HXJAM	2
87	710440	BOLT, HSH (9X57)	2
88	710140	NUT, 3/8-16 HWDFFLLK MACK 15X84	2
89	310364	BOLT, .500X1.18 HSH 3/8-16	2
90	315072	WASHER, FLAT .515X1.37X.119	2
91	319618	SPACER, SLEV .515X.70X.	2
92	301188	WASHER, FLAT .378X.75X.08	2
93	780072	NUT, 3/8-16 REGHEXCTRLK	2

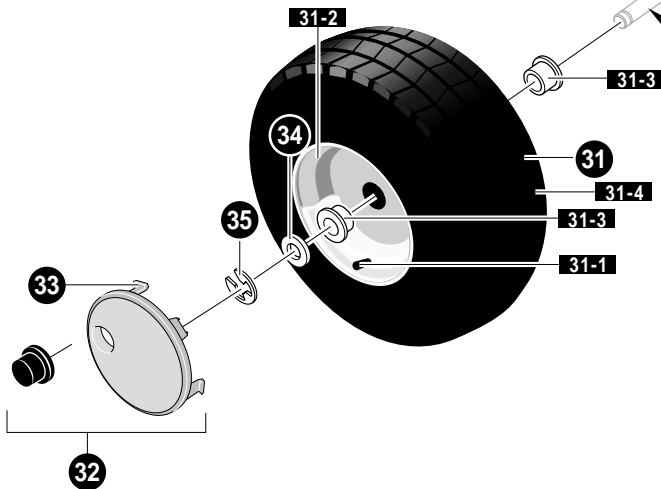
KEY NO.	PART NO.	DESCRIPTION	QTY
1	*	TRANSAXLE, PEERLESS HYDRO 205-024	1
2	711669	SCREW, 5/16-18X2.50	4
3	711634	NUT, 5/16-18 WDFLLK	4
4	94429-853	BRACKET, DISCONNECT	1
5	94432-853	TORQUE STRAP	1
6	710268	SCREW, 5/16-18X.75 WAHHTAP	2
7	711661	BOLT, 5/16-18X.63 CARRLN	2
8	711634	NUT, 5/16-18 WDFLLK	2
9	690013-853	ASSEMBLY, PEDAL (PEERLESSS)	1
10	711688	BOLT, 5/16-18X.75 CARRSN	3
11	711633	NUT, 5/16-18 HEXWDFLLK WHIZ	3
12	95278	ROD, PEDAL LINK (PEERLESS)	1
13	711676	HAIR PIN	1
15	711594	ADJUSTING NUT 1/2-13	1
16	711682	PIN, HAIR .38DIA X1.64LG	1
17	95279	ROD HYDRO LINK (PEERLESS)	1
18	711617	WASHER, FLAT (17X91)	1
19	711614	PIN, COTTER .094DIA X.75 30X20	1
20	711676	PIN, HAIR (31X4)	1
24	95298	ROD DISCONNECT	1
25	711644	FLATWASHER .344X.62X.06	2
26	711614	PIN, COTTER .094DIA X.75 30X20	1
27	95299	ARM DISCONNECT	1
28	710346	WASHER .388/.393SQ.X1.00X.065	1
29	710657	WASHER, FLAT .256X.75X.130Z	1
30	710249	WASHER, (18X32)	1
31	710345	SCREW 1/4-28X.750HHCNYLK	1
32	710330	SPRING, EXTENSION 2.26LG	1
33	95297	ROD, CLUTCH	1
34	711644	WASHER, FLAT .344X.62X.06	1
35	711614	PIN, COTTER .094DIA X.75 30X20	1
36	710707	SPRING, CLUTCH VST205 HYDRO	1
37	711596	NUT, ADJUSTING	1
38	690048	LATCH, PARK BRAKE	1
39	711623	WASHER, FLAT .406X.81X16GA	1
40	711614	PIN, COTTER .094DIA X.75 30X20	1
41	710333	SPRING, EXTENSION 23.10LG	1
42	710353	SPRING, TENS 3.984X.530	1
43	95108	ROD, PARKING BRAKE	1
44	95315	KNOB, PARKING BRAKE	1
45	95220	PAD, CLUTCH/BRAKE DELUX	1
46	711560	SPRING, TENSION	1
48	91179	PULLEY, IDLER 2.75	1
49	711622	NUT, 3/8-16 HWDFFLLK MACK 15X84	1
52	95305	ASM BRACKET IDLER	1
53	711613	BOLT .50X.75 HSH 3/8-16 9X39	1
54	711622	NUT, 3/8-16 HWDFFLLK MACK 15X84	1
55	91179	PULLEY, IDLER 2.75 DIA	1
56	91178	PULLEY, V-IDLER 3"	1
57	711622	NUT, 3/8-16 HWDFFLLK MACK 15X84	2
58	710531	BELT, MOTION DRIVE HYDRO 37X61	1
60	93249	PAD, TOE SANDPIPER	1
61	692300	TIRE & RIM 20X10-8	2
61-1	338524	RIM	2
61-2	338527	TIRE 20X10-8	2
61-3	338512	VALVE STEM	2
62	94618	HUB CAP	2
64	52928	KEY, SQUARE .187SQ X2.25LG	2
65	711648	WASHER, FLAT .765X1.62X.065Z	4
66	95274	SPACER, .87X1.78	2
67	711758	WASHER, FLAT .765X1.81X.059	2
68	710103	RING, RETEX .57X.05TRU5133-75	2
70	94793-853	BRACKET, MOUNT HAND CONTROL	1
71	711606	SCREW 5/16-18X.75 HHWATAP	2
72	95306	ASM LEVER HAND CRUISE	1
73	711599	BOLT .375X1.59 HSH 5/16-18X.5	1
74	314944	WASHER, FRICTION FABOND NF343	2
75	335689	SPRING-COMP .875LONGX.0915 WIRE	1
76	711634	NUT, 5/16-18 WDFLLK (15X88)	1
77	690045	LINK, CRUISE CONTROL	1
78	711644	WASHER, FLAT .344X.62X.06 Z	2
79	711614	PIN, COTTER .094DIA X.75 30X20	2
82	94798	PAD, SPEED CONTROL PEDAL	1
83	94498	GRIP, HD HYD 7/16" ID	1
85	711589	WASHER, FLAT .390X1.25X.119	1
86	71072	WASHER, FLAT .406X.81X.066	1
87	711691	PUSHNUT, .240DIA. STUD	1
88	71067	WASHER, FLAT .286X.63X.065	1
90	711742	WIRE RETAINER	1
91	711606	SCREW, 5/16-18X.75 HHWATAP	1

*CONTACT YOUR NEAREST TRANSAXLE DEALER FOR PARTS AND SERVICE.



NOTE
GREASE APPLIED TO TEETH ON GEAR

NOTE
KEY# 32 & 33 ARE OPTIONAL, DEPENDS ON UNIT



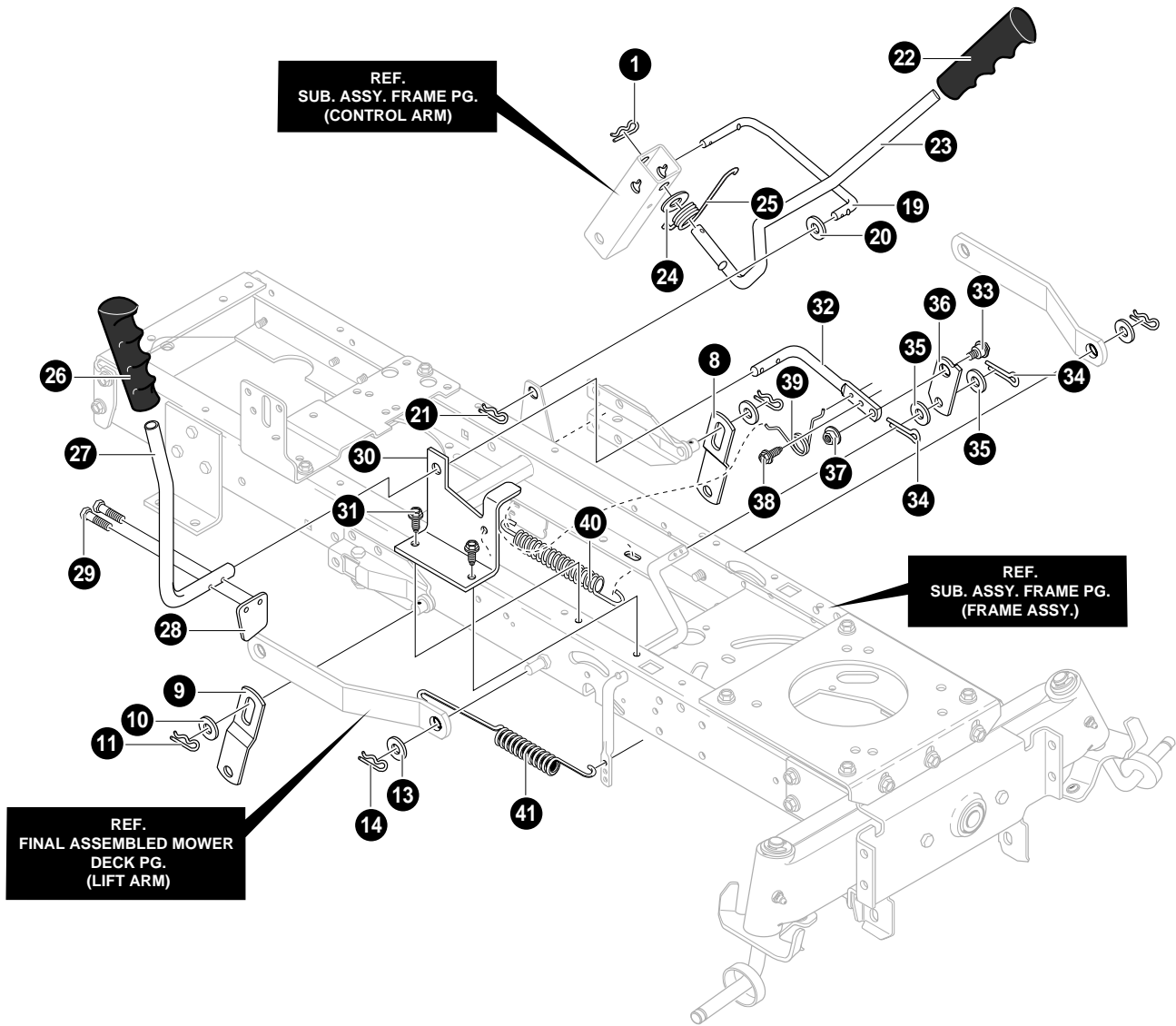
NOTE
GREASE APPLIED TO SPINDLE SHAFT

NOTE: ALWAYS USE ORIGINAL EQUIPMENT PARTS. Use of service/replacement parts other than original equipment parts may void your warranty .

ALL UNNUMBERED ITEMS ARE INTERCHANGEABLE WITH OPPOSITE SIDE

344103A

KEY #	PART #	DESCRIPTION	QTY
9	94618	DUST HUB CAP	2
24	95185	STEERING WHEEL	1
26	94520	SHAFT, STEERING BOLT-ON	1
27	94124	BEARING-LOWER	1
28	711606	SCREW, 5/16-18X.75	2
29	94122	GEAR PINNION	1
30	710102	RING, RET E	1
31	692639	TIRE&RIM, 15X6.0X6	2
31-1	338512	VALVE STEM	2
31-2	338517	RIM	2
31-3	338513	BEARING	2
31-4	338515	TIRE 15X6X6	2
32	94618	HUBCAP, AXLE SHAFT	2
33	-	NOT USED ON THIS UNIT	
34	711758	WASHER, FLAT .765X1.81X.059	2
35	710103	E-RING .574IDX.050/.750SH 11X3	2
42	711326	INSERT, 4-SPOKE	1
43	711719	SCREW, 1/4-20X .75	1
44	711663	WASHER, FLAT .281X1.25X.06	1

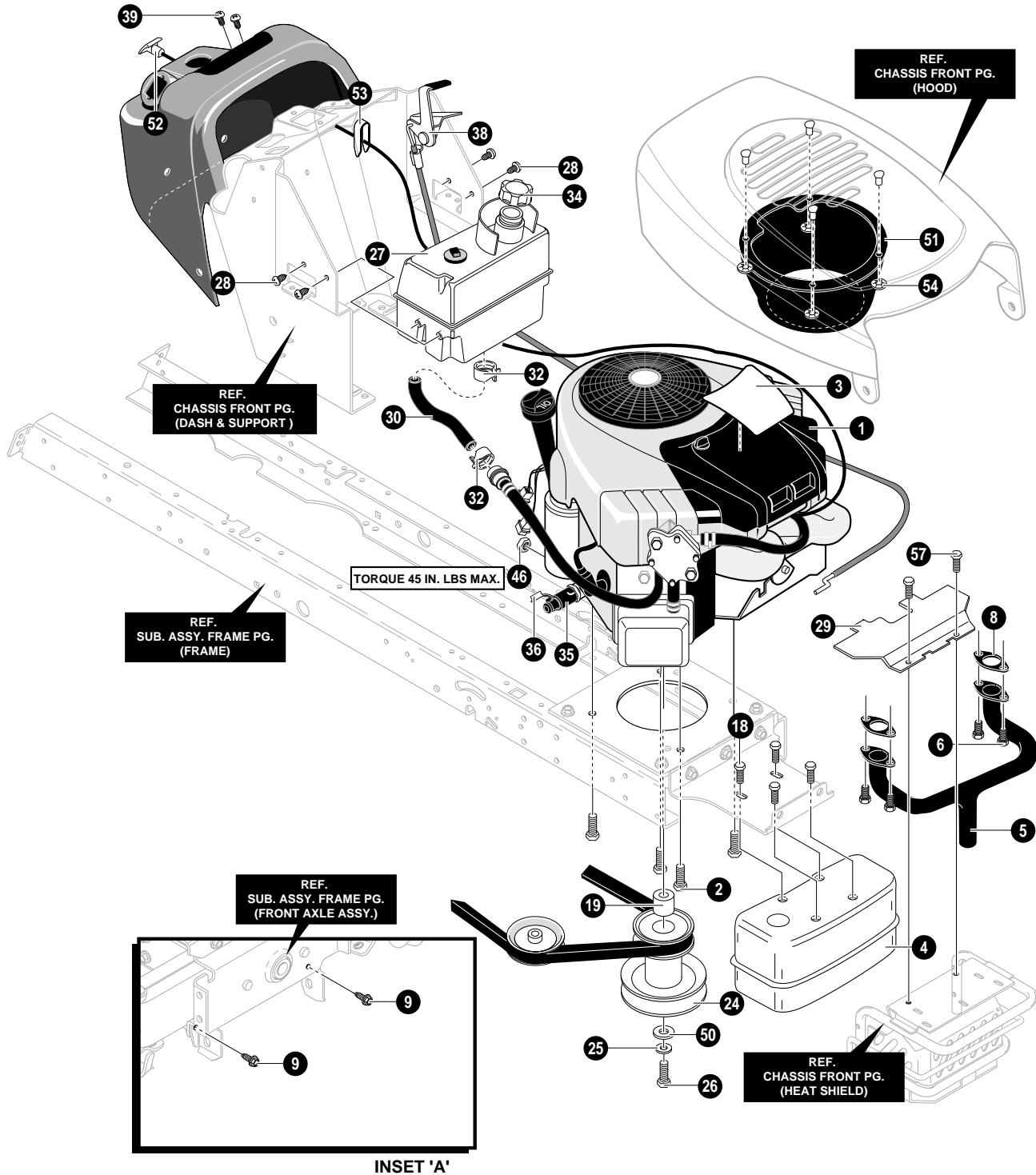


NOTE: ALWAYS USE ORIGINAL EQUIPMENT PARTS.
Use of service/replacement parts other than original
equipment parts may void your warranty.

ALL UNNUMBERED
ITEMS ARE INTERCHANGEABLE
WITH OPPOSITE SIDE

343695A

KEY NO.	PART NO.	DESCRIPTION	QTY
1	711676	PIN, HAIR	1
8	94611-853	LINK, LIFT LH	1
9	94053-853	LINK, LIFT RH	1
10	711617	WASHER,FLAT	2
11	711676	PIN, HAIR	2
13	711617	WASHER,FLAT	2
14	711676	PIN, HAIR	2
19	95285	LINK LIFT HANDLE	1
20	711617	WASHER,FLAT	1
21	711676	PIN, HAIR	1
22	94497	GRIP,LIFT	1
23	95296	HANDLE, LIFT	1
24	711616	WASHER, FLAT.550X1.00X11	1
25	710111	TORSION SPRING .657LG (166X40)	1
26	94496	GRIP, PTO 5/8"	1
27	690126	PTO HANDLE	1
28	95284	ZINC PADDLE, SWITCH	1
29	711621	SCREW, THD FORM.246X1.050LG	2
30	94018-853	BRACKET, PTO	1
31	780055	SCREW, 5/16-18X.50	2
32	95283	ZINC LEVER, PTO	1
33	711613	BOLT.50X.75HHSH3/8-16	1
34	711659	PIN, HAIR .072 DIAX1.13LG	2
35	711615	WASHER, FLAT.518X.87X16	2
36	95282	LINK PTO	1
37	711622	NUT,3/8-16	1
38	711606	SCREW, 5/16-18X.75	1
39	710141	TORSION SPRING .33LG (166X39)	1
40	710311	SPRING, TENSION	1
41	710208	EXTENSION SPRING (165X119)	1

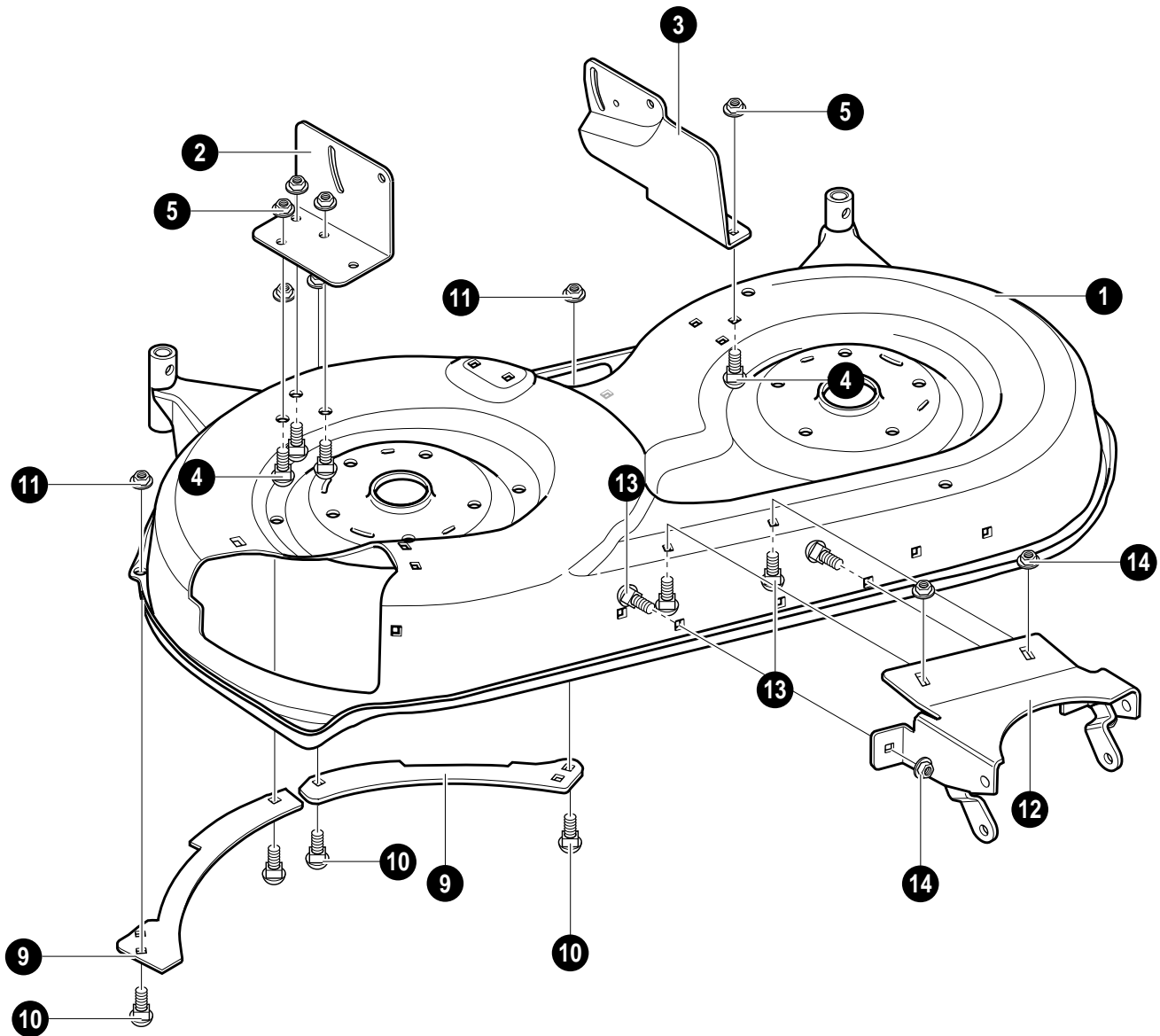


NOTE: ALWAYS USE ORIGINAL EQUIPMENT PARTS. Use of service/replacement parts other than original equipment parts may void your warranty.

ALL UNNUMBERED ITEMS ARE INTERCHANGEABLE WITH OPPOSITE SIDE

343592A

KEY PART NO.	NO.	DESCRIPTION	QTY
1	ENGINE	19HP INTEK	1
2	710199	SCREW, 3/8-16X1.25 WAHHSPTAPP	4
3	711689	DECAL, ENGINE 19HP	1
4	94655	MUFFLER, TWIN CYCLINDER	1
5	95204	TUBE, EXHAUST	1
6	711852	SCREW, (B/S #94755)	4
8	711851	B/S EXHAUST GASKET (B/S #273485)	2
9	711606	SCREW, 5/16-18X.75 HHWATAP	2
18	711642	SCREW, 1/4-20X.63 HHWATAP	4
19	93077	SPACER, SLEV 1.015IDX1.77OD	1
24	95259	PULLEY, STACK ASSY	1
25	120383	WASHER, REGSPTLK .459X.78X.12	1
26	710248	SCREW, 7/16-20NF1.50	1
27	94484	FUEL TANK W/SENSOR 2.8 GAL	1
28	711681	SCREW, 15TPIX	4
29	95250-853	HEATSHIELD	1
30	50118	TUBING, GAS LINE	14 IN.
32	47345	CLAMP, HOSE SCREW TYPE	2
34	92317	FUEL CAP	1
35	325547	OIL DRAIN VALVE ASSEMBLY	1
36	327422	CAP, OIL DRAIN VALVE ASM.	1
38	94501	THROTTLE CONTROL	1
39	711686	SCREW, #8-16X.50 TRCRTAPAB	2
46	711601	NUT, 1/4-20 REGHXJAM	1
50	710247	WASHER, FLAT .480X1.00X.25	1
51	95325	PLENUM, HOOD MOUNT	1
52	690043	CHOKE CONTROL	1
53	314522	CLIP, CHOKE CONTROL	2
54	711677	PUSHNUT, .250DIA.	4
56	711742	RETAINER, .31IDX.62X.03 WIRE	1
57	711592	SCREW, 1/4-20X.50 WAHHTAP	2

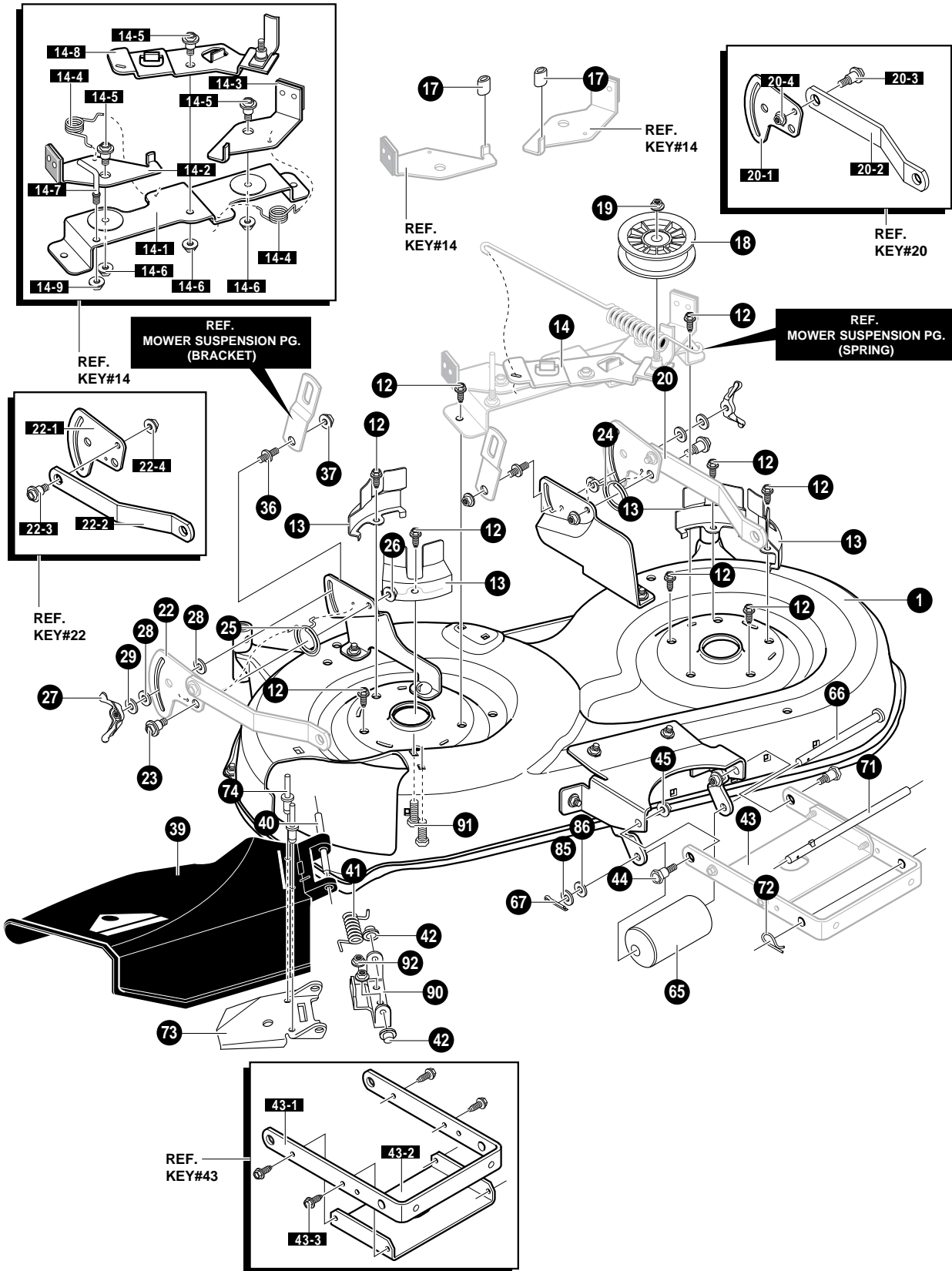


NOTE: ALWAYS USE ORIGINAL EQUIPMENT PARTS.
Use of service/replacement parts other than original
equipment parts may void your warranty .

ALL UNNUMBERED
ITEMS ARE INTERCHANGEABLE
WITH OPPOSITE SIDE

344108A

KEY NO.	PART NO.	DESCRIPTION	QTY
1	710144	BRACKET, DECK RH	1
3	94192	BRACKET, DECK LH	1
4	57072	BOLT, 5/16-18X.63 CARR.	5
5	710204	NUT, 5/16-18 HEXWDFLLK WHIZ	5
9	92426	TOE GUARD, FLANGE	2
10	57072	BOLT, 5/16-18X.63 CARR.	2
11	710205	NUT, 5/16-18 WDFLLK (15X88)	2
12	710143	ASSY, FRONT BRACKET ROLLER	1
13	57072	BOLT, 5/16-18X.63 CARR.	4
14	710204	NUT, 5/16-18 HEXWDFLLK WHIZ	4

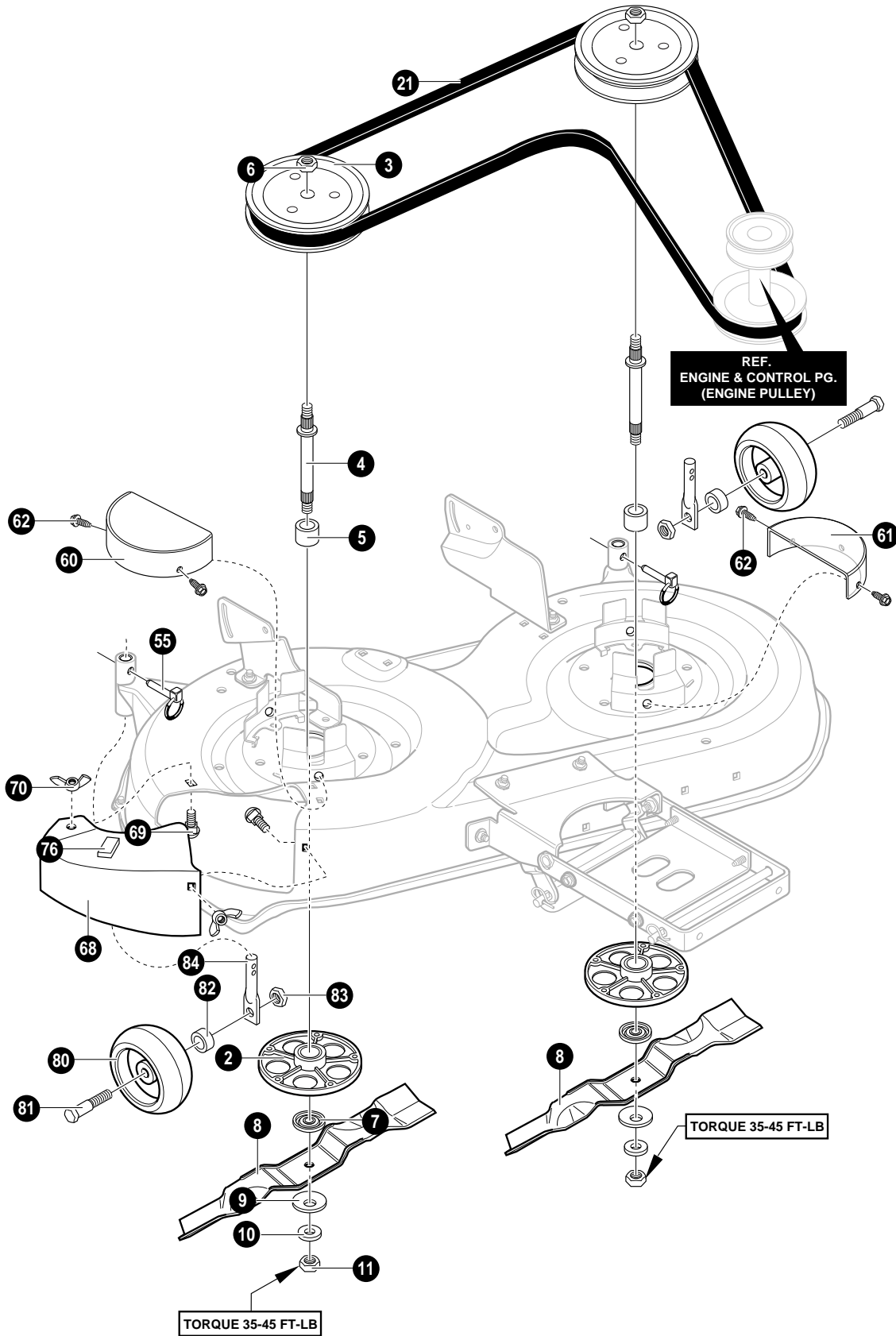


NOTE: ALWAYS USE ORIGINAL EQUIPMENT PARTS. Use of service/replacement parts other than original equipment parts may void your warranty .

ALL UNNUMBERED ITEMS ARE INTERCHANGEABLE WITH OPPOSITE SIDE

344102A

KEY NO.	PART NO.	DESCRIPTION	QTY
1	344108-853	ASSY 42" MOWER DECK DELUXE	1
12	710199	SCREW, 3/8-16X1.25 WAHHSPTAPP	10
13	94051-853	COVER, SEGMENT BELT GUIDE	4
14	690138-853	ASM., BRACKET SUP W/BRAKES 42"	1
14-1	94193	BRACKET, BRAKE MT	1
14-2	94047	ASSY, BRAKE RH	1
14-3	94049	ASSY, BRAKE LH	1
14-4	710227	TORSION SPRING (166X41)	2
14-5	710098	BOLT .50X.75 HSH 3/8-16 (9X39)	2
14-6	710140	NUT, 3/8-16 HWDFLLK MACK (15X84)	3
14-7	94781	SCREW GUIDE	1
14-8	690137	ASS'Y, IDLER ARM	1
14-9	710205	NUT,5/8-16HWDFLLK	1
17	690073	TUBE, BRAKE TAB PAD (2 REQUIRED)	0.450
18	91801	PULLEY, IDLER BFF 4.75DIA.	1
19	711622	NUT,3/8-16HWDFLLK MACK 15X84	1
20	341594-853	ASM.PLATE,REAR SUS.BRKT.LH	1
20-1	94128	PLATE - SUSPENSION	1
20-2	94055	SUSPENSION BRKT REAR	1
20-3	710095	BOLT, SHOULDER 3/8-16 (9X52)	1
20-4	710140	NUT, 3/8-16 HWDFLLK MACK 15X84	1
22	341593-853	ASM.PLATE,REAR SUS.BRKT.RH	2
22-1	94128	PLATE - SUSPENSION	1
22-2	94055	SUSPENSION BRKT REAR	1
22-3	710095	BOLT, SHOULDER 3/8-16 (9X52)	1
22-4	710140	NUT,3/8-16HWDFLLK MACK 15X84	1
23	711611	BOLT, SHOULDER .375 (9X51)	2
24	710113	SPRING,TORSION .68LG LH 166X43	1
25	710112	SPRING,TORSION .68LG RH 166X42	1
26	711622	NUT,3/8-16HWDFLLK MACK 15X84	2
27	711600	WINGNUT 5/16-18	2
28	94137	PAD, FRICTION	2
29	711628	WASHER, (17X45)	2
36	711595	PIN, HANGER	2
37	711622	NUT, 3/8-16 HWDFLLK MACK	2
39	94687	CHUTE DEFLECTOR	1
40	95303	ROD, CHUTE DEFLECTOR	1
41	710194	SPRING, TORSION .44X2.06X	1
42	711627	NUT, PUSH CAP .375 (28X23)	2
43	690058-853	ASSY., BRACKET & STIFFENER	1
43-1	94058	BRACKET, FRT SUSPENSION	1
43-2	95057	STIFFENER	1
43-3	710079	SCREW, 5/16-18X.75 HHWATAP	4
44	711611	BOLT, SHOULDER .375 (9X51)	2
45	711622	NUT,3/8-16 HWDFLLK MACK	2
65	310071	ROLLER, 6 X.515 I.D.X 2.5 O.D.	1
66	95275	ROD, SUPPORT	1
67	711667	PIN, COTTER .125 DIAX1.00LG	1
71	95295	ROD, HANGER	1
72	711676	HAIR PIN	1
73	64686-853	DEFLECTOR SUPPORT	1
74	711624	RIVET - SEMI .244X.250 (7X125)	2
85	711617	WASHER, FLAT	1
86	30289	WAVE WASHER	1
90	94956-853	BRACKET, CHUTE ATTACH	1
91	711661	BOLT, 5/16-18X.63 CARR.	2
92	711634	NUT, 5/16-18 WDFLLK	2

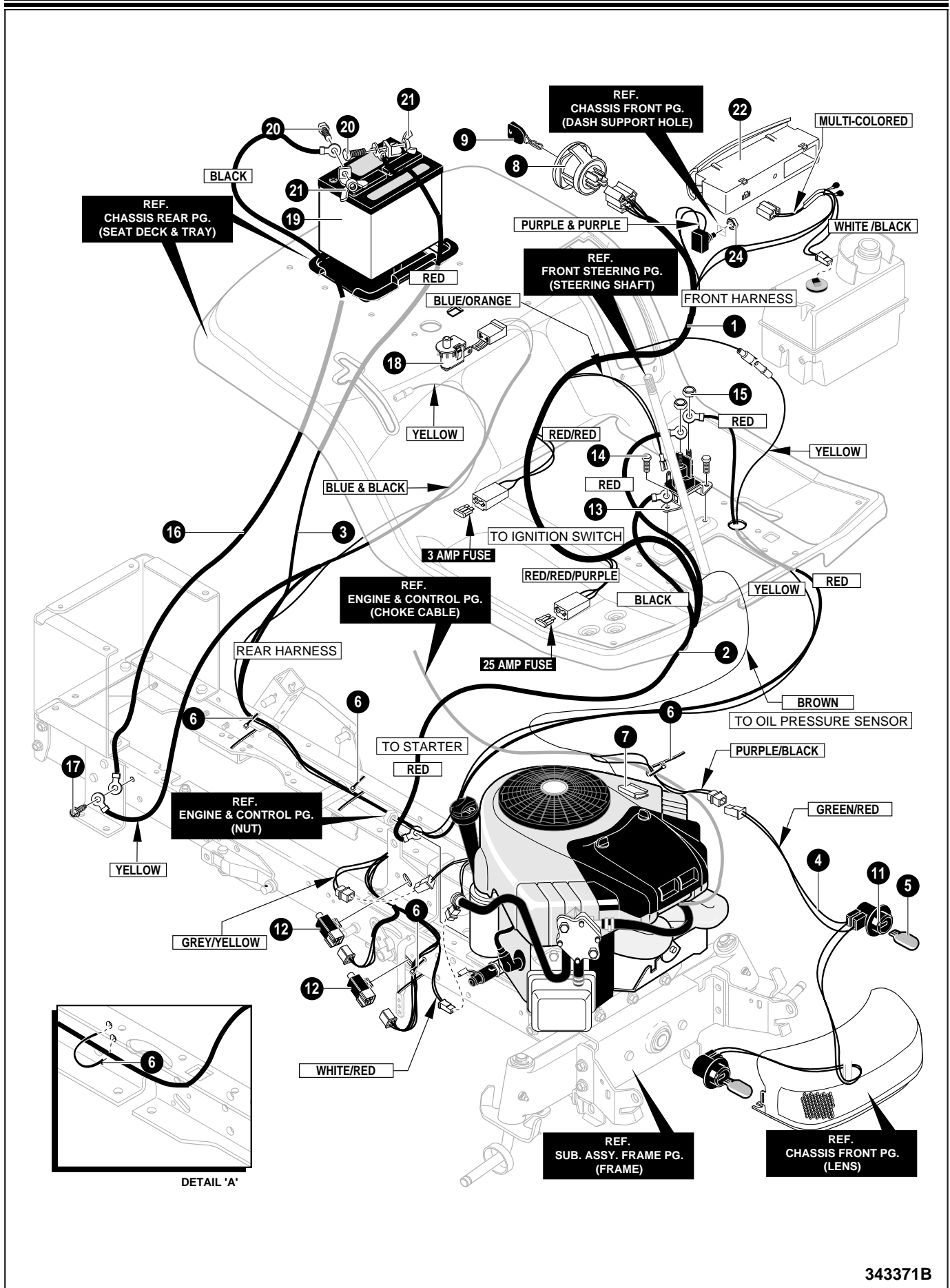


NOTE: ALWAYS USE ORIGINAL EQUIPMENT PARTS. Use of service/replacement parts other than original equipment parts may void your warranty .

ALL UNNUMBERED ITEMS ARE INTERCHANGEABLE WITH OPPOSITE SIDE

344102A

KEY NO.	PART NO.	DESCRIPTION	QTY
2	92574	ASM., JACKSHAFT HOUSING 42"	2
3	95308	PULLEY, 42" INPUT	2
4	94129	JACKSHAFT 7.12LG	2
5	94130	SPACER, .625X.875X1.858	2
6	710191	NUT, 9/16-18 UNF-2B (15X121)	2
7	92466	ADAPTER, DECK/BLADE	2
8	95100	42" (3N1) BLADE	2
9	710118	WASHER, FLAT .625X1.75 17X166	2
10	710117	WASHER, FLAT .625X1.00X.188	2
11	710104	NUT, 9/16 REGHEX (15X100)	2
21	710213	BELT, 42" DECK (37X88)	1
46	92683	GAUGE WHEEL, 4.94DIA.	2
47	711746	BOLT, SPSH 3/8-16X.63	2
48	711622	NUT, 3/8-16 HWDFFLLK MACK	2
49	711615	WASHER, FLAT .518X.87X16	2
55	711797	PIN, LYNCH	2
60	94669-853	GUARD, BELT RH	1
61	94668-853	GUARD, BELT LH	1
62	711642	SCREW, 1/4-20C.63HHWATAP	4
68	95080-853	COVER, DISCHARGE MULCH	1
69	711651	BOLT, 5/16-18X.75 CARR.	2
70	711604	NUT, WING 5/16-18 SERR	2
76	318197	PAD, ADHESIVE	1
80	92265	WHEEL, GAUGE	2
81	711657	BOLT, .5X3.27 HSHS 3/8-16	2
82	95188	SPACER, SLEV. NYLON .515X1.00X.70	2
83	41529	NUT, 3/8-16 CTRLK JAM	2
84	95187-853	ROD, GAUGE SHORT	2



343371B

KEY NO.	PART NO.	DESCRIPTION	QTY
1	95202	WIRE HARNESS	1
2	711579	WIRE, LEAD SOLENOID TO STARTER	1
3	340530	WIRE HARNESS, REAR	1
4	340513	WIRE HARNESS, HEADLIGHT	1
5	780216	BULB, HEADLIGHT 1156	2
6	57444	TIE, CABLE BLACK NYLON 5.62L	5
7	55939	WIRE CLIP ADHESIVE	1
8	94762	SWITCH, IGNITION DELTA 7 TERM	1
9	327350	KEY, IGNITION DELTA	1
11	92372	SOCKET, LAMP	2
12	94136	SWITCH LIMIT DELTA	2
13	94613	SOLENOID	1
14	711619	SCREW, HHWATAP 1/4X.50	2
15	711632	NUT, 1/4-20 HEXNYL 15X116	2
16	710228	WIRE, GROUND 24X32	1
17	711619	SCREW, HHWATAP 1/4X.50	1
18	94159	SWITCH, SEAT	1
19	302257	BATTERY 12V 7 PLATE	1
20	711680	BOLT, 1/4-20X.63 CARR.	2
21	711636	NUT, WING 1/4-20 NC (14X79)	2
22	94522	DIAGNOSTIC PACKAGE	1
24	711376	NUT, PLASTIC THUMB 3/8-27	1
	302031	FUSE, 15 AMP	1

SCHEMATIC WIRING

