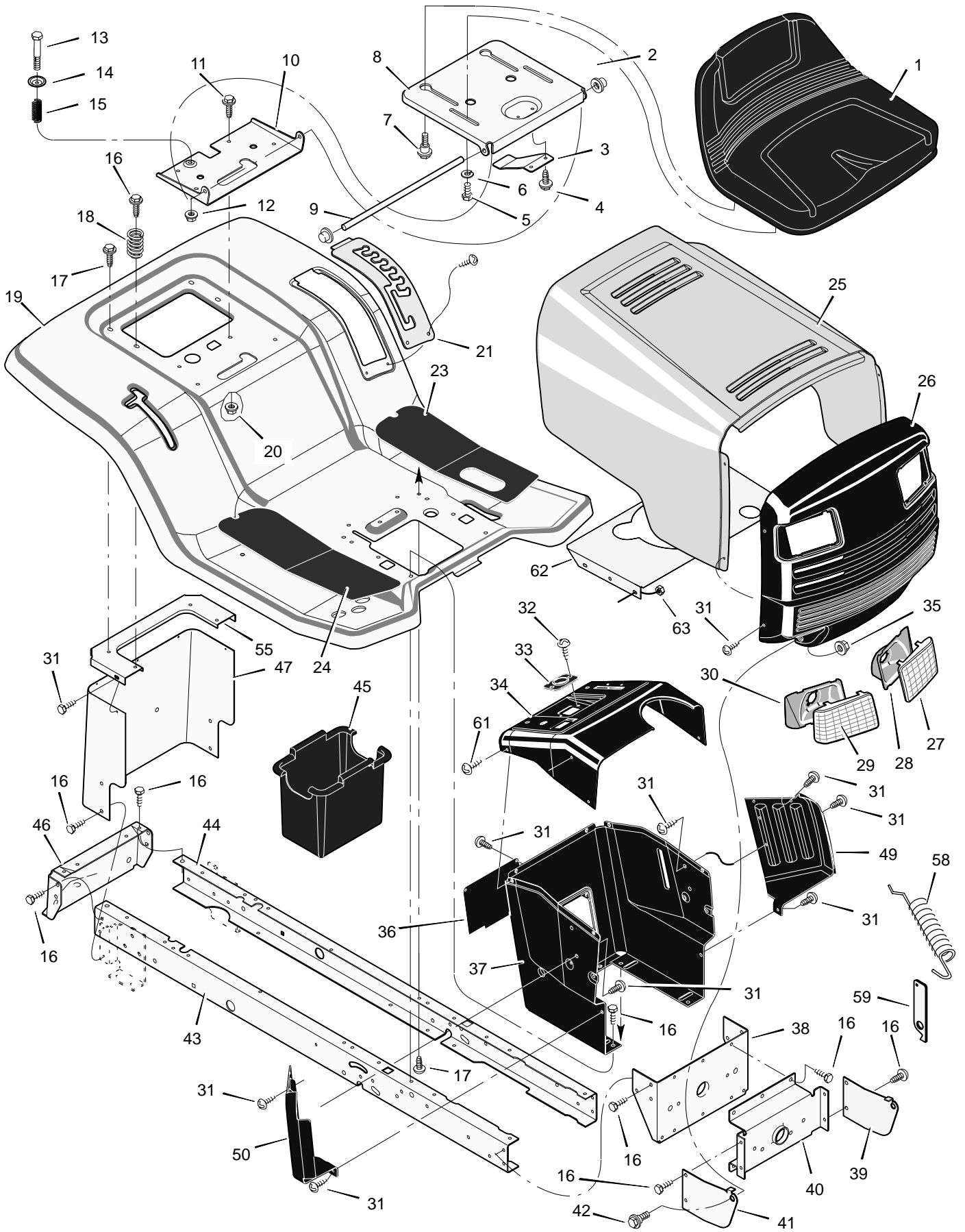


MODEL 42591x88B VRO4216HX

REPAIR PARTS CHASSIS & HOOD



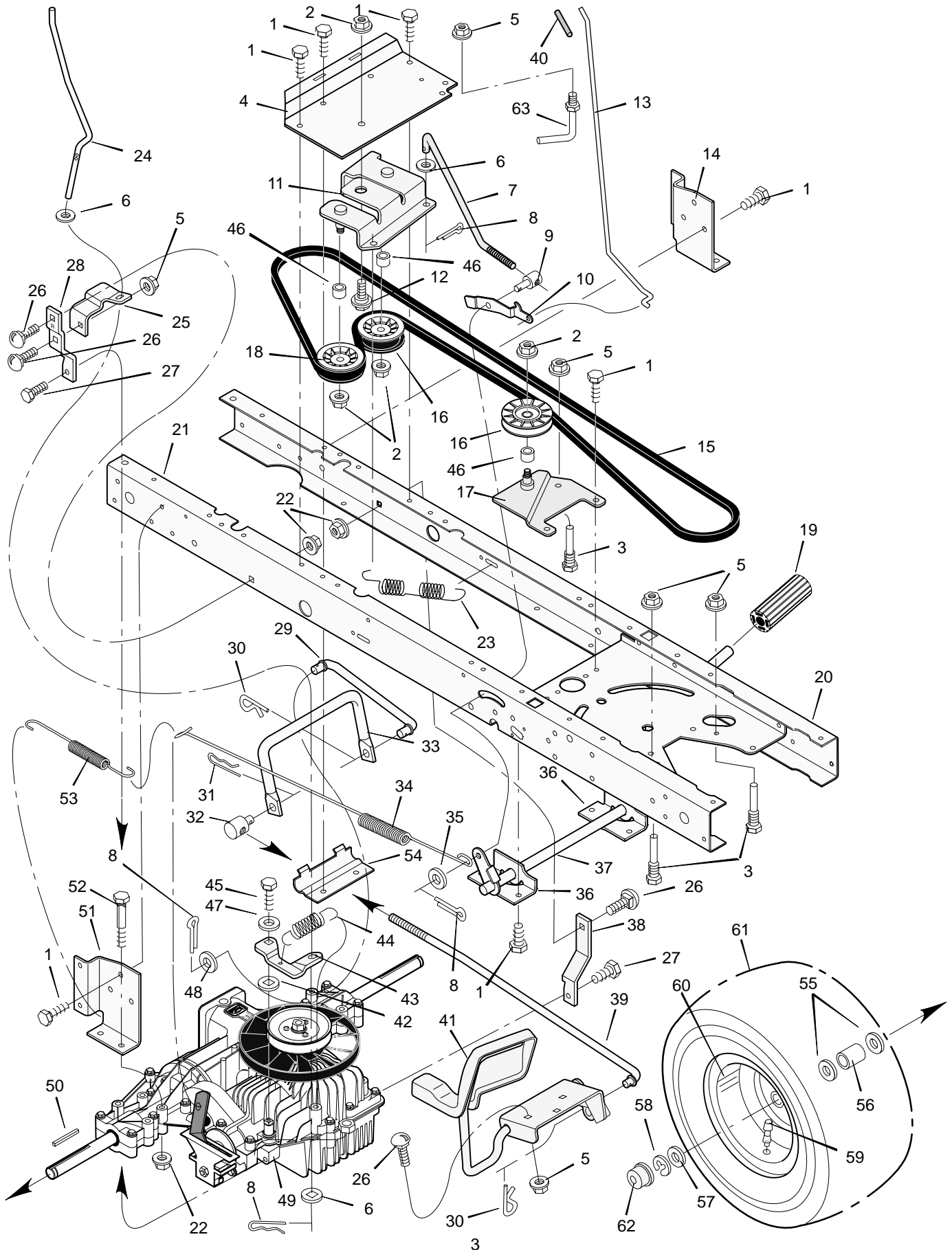
MODEL 42591x88B VRO4216HX

REPAIR PARTS CHASSIS & HOOD

Key No.	Description	Part No.	Key No.	Description	Part No.
1	Seat	94163	32	Screw	26x238
2	Cap, Push On	28x23	33	Bearing, Steering	94075
3	Spring	94057	34	Dash	94590E700
4	Screw	26x229	35	Nut	15x84
5	Bolt, Wing	94160	36	Panel, Access	93007E700
6	Washer	17x47 Z	37	Support, Dash	95318E700
7	Bolt, Shoulder	9x56	38	Bracket, Rear Hanger	94013E700
8	Support, Seat	94154E700	39	Support, Left Grille	94085E700
9	Rod, Pivot	94156 Z	40	Axle, Hanger	94007E700
10	Bracket, Pivot	94153E700	41	Support, Right Grille	94084E700
11	Bolt	1x45	42	Bolt, Shoulder	9x58
12	Nut	15x89	43	Frame, Right	690206E700
13	Bolt, Shoulder	9x55	44	Frame, Left	690207E700
14	Washer	94155 Z	45	Container, Battery	690424
15	Spring	164x31	46	Plate, Hitch	1001002E700
16	Screw	26x249	47	Panel, Rear	94187E700
17	Screw	26x263	49	Panel, Left Side	95218E700
18	Spring	164x30	50	Panel, Right Side	95217E700
19	Deck, Seat	94150E549	55	Plate, Rear	690218E700
20	Nut	15x88	58	Extension, Spring	165x124
21	Plate, Index	94886E700	59	Bracket	94830 Z
23	Mat, Left	94109	61	Screw	26x201
24	Mat, Right	94108	62	Plenum	94113E700
25	Hood	94090E549	63	Locknut	15x116
26	Grille	94087E700	—	Decal, Right Hood	48x249
27	Lens, Left	94093	—	Decal, Left Hood	48x400
28	Bezel, Left	94089 Z	—	Decal, Victa	48x018
29	Lens, Right	94092	—	Decal, Dash	44x6973
30	Bezel, Right	94088 Z	—	Decal, Warning	44x6828
31	Screw	26x270	—	Book, Instruction	F-99850

MODEL 42591x88B VRO4216HX

REPAIR PARTS MOTION DRIVE



MODEL 42591x88B VRO4216HX

REPAIR PARTS MOTION DRIVE

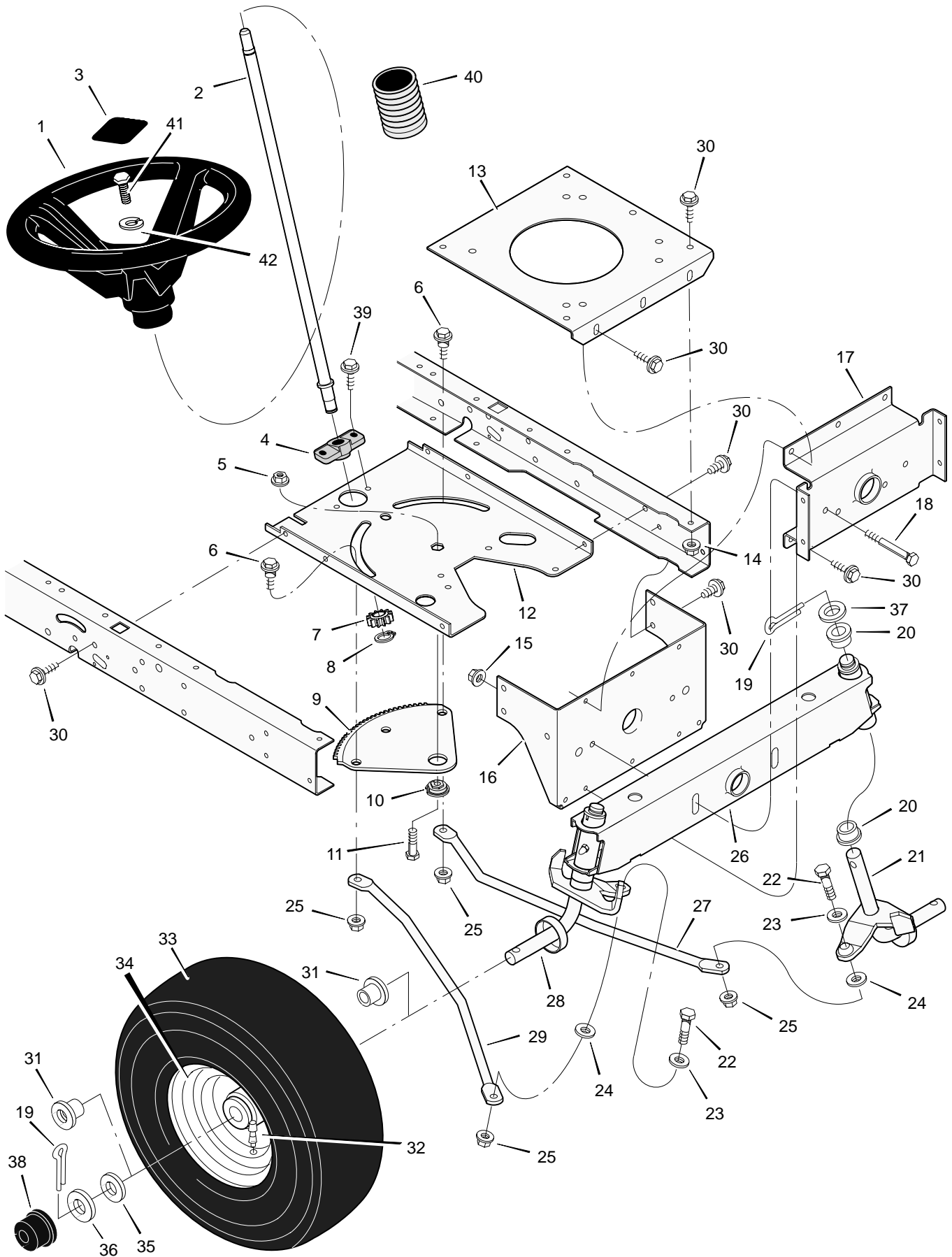
Key No.	Description	Part No.	Key No.	Description	Part No.
1	Screw	26x249	33	Rod, Yoke	94425E700
2	Nut, Flange	15x98	34	Spring, Extension	165x115
3	Guide, Belt	93349	35	Washer	17x169
4	Bracket, Idler	94431E700	36	Bracket, Pivot	94035E700
5	Locknut	15x79	37	Lever, Clutch/Brake	94038E700
6	Washer	17x47 Z	38	Strap, Left Torque	94433E700
7	Rod, Clutch	94417 Z	39	Rod, Front Control	690014
8	Pin, Cotter	30x20	40	Grip	91079
9	Adjuster	94815	41	Pedal, Speed Control	690013E700
10	Latch, Parking Brake	94045 Z	42	Washer	17x148
11	Bracket Assembly, Idler	690517 Z	43	Arm, Disconnect	94430 Z
12	Bolt, Shoulder	9x39	44	Spring	165x112
13	Rod, Parking Brake	94152 Z	45	Bolt	6x105
14	Bracket, Left Transaxle	94185E700	46	Spacer	690369
15	Belt	37x61	47	Washer	17x38
16	Pulley, Idler	690409	48	Washer	17x169
17	Arm Assembly, Idler	94409 Z	49	Transaxle * *	* *
18	Pulley, Idler	690410	50	Key, Square	21553
19	Pedal	21544	51	Bracket, Right Transaxle	94184E700
20	Frame, Left	690207E700	52	Bolt	1x155
21	Frame, Right	690206E700	53	Spring, Extension	165x92
22	Nut, Flange	15x88	54	Clamp, Transaxle	94434E700
23	Spring, Extension Clutch	165x142	55	Washer	17x160
24	Rod, Disconnect	94428 Z	56	Spacer	690554 Z
25	Bracket, Disconnect	94429E700	57	Washer	17x195
26	Bolt, Carriage	2x53	58	E-Ring	11x3
27	Screw	26x216	59	Valve Stem	24373
28	Strap, Right Torque	94432E700	60	Wheel & Tire Assembly	92511-601
29	Rod, Link	94426 Z	61	Tire *	407926
30	Pin, Hair	31x4	—	Tube	407049
31	Pin, Hair	31x6	62	Cap, Hub	94618
32	Nut, Adjuster	92132	63	Guide, Belt	94781

* When you order a tire, make sure to give the brand name of the tire so that the tread pattern on the tire will match.

** For information on Replacement Parts see the Central Parts Distributor in your area.

MODEL 42591x88B VRO4216HX

REPAIR PARTS STEERING



MODEL 42591x88B VRO4216HX

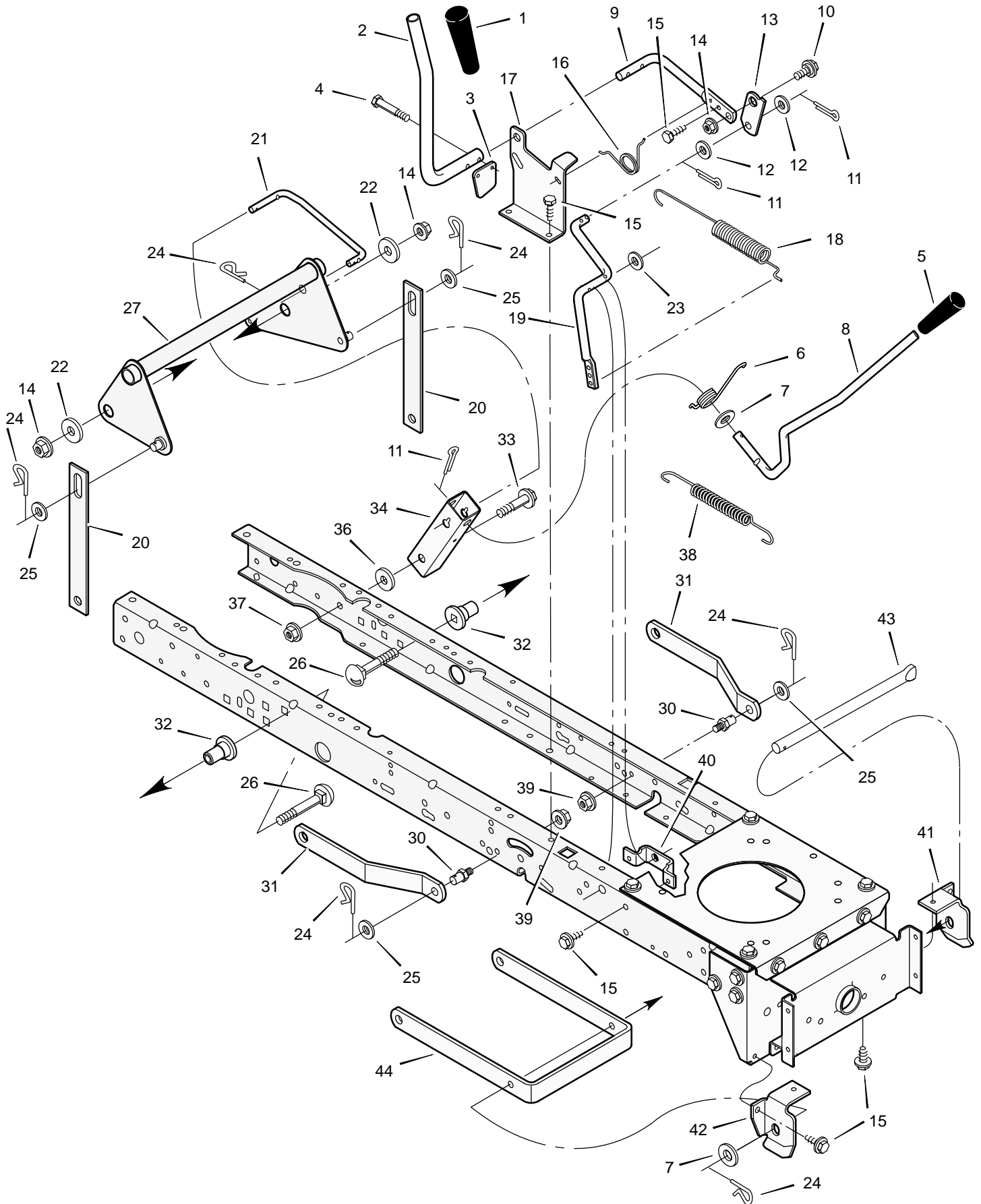
REPAIR PARTS STEERING

Key No.	Description	Part No.	Key No.	Description	Part No.
1	Wheel, Steering	95336	23	Washer	17x104
2	Post, Steering	690625	24	Washer	17x53 Z
3	Insert, Steering Wheel	95338	25	Nut, Flange	15x84
4	Bearing	94124	26	Axle Assembly	690210E700
5	Nut, Flange	15x79	27	Drag Link, Left	95329E700
6	Bolt, Shoulder	9x57	28	Spindle Assembly, Right	94575E700
7	Gear, Pinion	690183E700	29	Drag Link, Right	95328E700
8	Ring, Snap	11x25	30	Screw	26x249
9	Gear, Sector	94121E700	31	Bearing, Wheel	91334
10	Bearing	94123	32	Stem, Valve	24373
11	Bolt	1x84	33	Tire *	24380
12	Plate, Steering	690551E700	—	Tube	407924
13	Plate, Engine	94006E700	34	Wheel and Tire Assembly	94581-601
14	Nut, Flange	15x88	35	Washer	17x195
15	Nut, Flange	15x118	36	Washer	17x192
16	Bracket, Hanger	94013E700	37	Washer	17x113
17	Axle, Hanger	94007E700	38	Hub Cap	94618
18	Bolt	1x146	39	Screw	26x267
19	Pin, Cotter	30x49	40	Bellows	92059
20	Bearing	690150	41	Bolt	1x158
21	Spindle Assembly, Left	94576E700	42	Lockwasher	17x146
22	Bolt	1x111			

* When you order a tire, make sure to give the brand name of the tire so that the tread pattern on the tire will match.

MODEL 42591x88B VRO4216HX

REPAIR PARTS MOWER HOUSING SUSPENSION

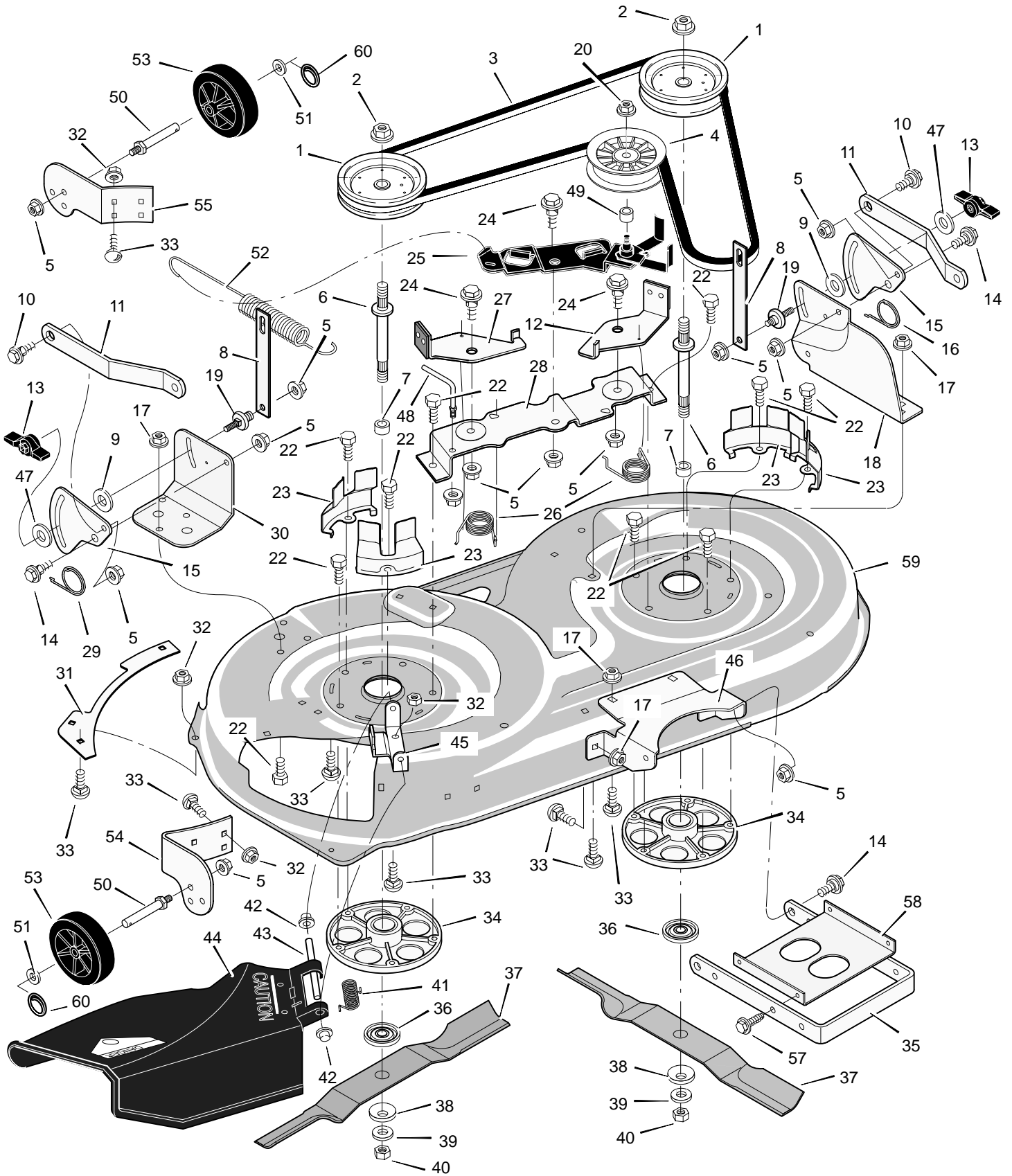


MODEL 42591x88B VRO4216HX**REPAIR PARTS
MOWER HOUSING SUSPENSION**

Key No.	Description	Part No.	Key No.	Description	Part No.
1	Grip	92698	22	Washer	17x168
2	Handle, PTO	94100 Z	23	Washer	17x57
3	Pad, Switch	94022 Z	24	Pin, Hair	31x4
4	Bolt	25x3	25	Washer	17x91 Z
5	Grip	92697	26	Bolt, Carriage	2x85
6	Spring	166x40	27	Lever Assembly, Lift	690363E700
7	Washer	17x103	30	Pin	94067
8	Handle, Lift	690533	31	Bracket, Rear Suspension	94055E700
9	Lever, PTO	94017 Z	32	Spacer, Lifter	690151
10	Bolt, Shoulder	9x39	33	Bolt, Shoulder	9x53
11	Pin, Cotter	30x20	34	Bracket, Pivot	94015E700
12	Washer	17x91 Z	36	Washer	17x191
13	Link, PTO	94004 Z	37	Nut, Flange	15x84
14	Nut, Flange	15x84	38	Spring	165x131
15	Screw	26x249	39	Nut, Flange	15x68
16	Spring	166x39	40	Bracket, PTO	94005E700
17	Bracket, PTO	94018E700	41	Hanger, Left Deck	94027E700
18	Spring	165x119	42	Hanger, Right Deck	94026E700
19	Crank, PTO	690394E700	43	Rod, Hanger	94158Z
20	Link, Lift	690212E700	44	Bracket, Suspension	94058E700
21	Link, Lift Handle	690122E700			

MODEL 42591x88B VRO4216HX

REPAIR PARTS MOWER HOUSING



MODEL 42591x88B VRO4216HX

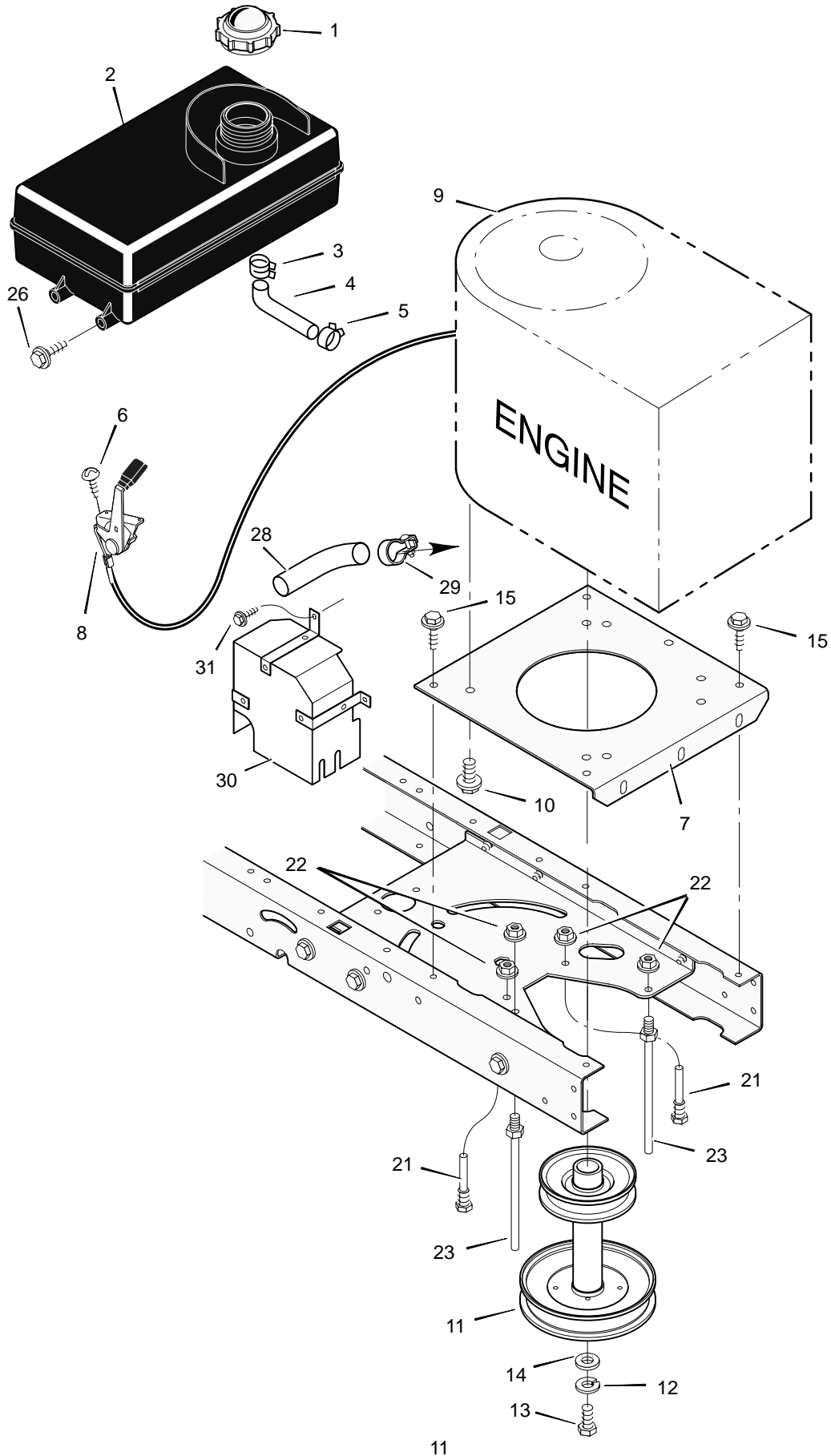
REPAIR PARTS MOWER HOUSING

Key No.	Description	Part No.	Key No.	Description	Part No.
1	Pulley, Jackshaft	94199	32	Nut, Flange	15x88
2	Nut, Hex	15x121	33	Bolt, Carriage	2x53
3	Belt, Mower Drive	37x88	34	Mandrell Housing	92574
4	Pulley, Idler	690387	35	Bracket, Suspension	94058E700
5	Nut, Flange	15x84	36	Adapter, Blade	92466
6	Jackshaft	94129	37	Blade	690205E701
7	Spacer	94130	38	Washer	17x166
8	Link, Lift	690212E700	39	Washer	17x165
9	Pad, Friction	94137	40	Nut	15x100
10	Bolt, Shoulder	9x52	41	Spring	166x4
11	Bracket, Suspension	94055E700	42	Cap, Push On	28x23
12	Pad Assembly, Left Brake	94049E700	43	Rod, Deflector	94957 Z
13	Knob	94068	44	Deflector Assembly	94707 SE
14	Bolt, Shoulder	9x51	45	Bracket, Deflector Hinge	94956E700
15	Plate, Suspension	94128E700	46	Bracket, Front Hanger	94190E700
16	Spring	166x43	47	Washer	17x45 Z
17	Nut, Flange	15x79	48	Guide, Belt	94781
18	Bracket, Suspension	94192E700	49	Spacer	690369
19	Pin, Hanger	95194	50	Bolt, Axle	94025
20	Nut, Flange	15x98	51	Washer	17x91 Z
22	Bolt	25x7	52	Spring, Extension	165x119
23	Cover, Pulley	94051E700	53	Wheel, Gage	92683
24	Bolt, Shoulder	9x39	54	Bracket, Right Wheel	92422E700
25	Arm, Idler	690408E700	55	Bracket, Left Wheel	92423E700
26	Spring	166x41	57	Screw	26x249
27	Pad Assembly, Right Brake	94047E700	58	Stiffener	94604E700
28	Bracket, Brake	94193E700	59	Housing, Blade *	94814E700
29	Spring	166x42	60	Ring, Locking	31x11
30	Bracket, Suspension	94191E700	1-60	Complete Mower Housing Assembly	776007
31	Plate	92426E700			

* Includes Key No. 17, 18, 30, 31, 32, 33, 45, 46, 53, 54, 55, and 56.

MODEL 42591x88B VRO4216HX

REPAIR PARTS ENGINE MOUNT



MODEL 42591x88B VRO4216HX

REPAIR PARTS ENGINE MOUNT

Key No.	Description	Part No.
1	Fuel Cap	92317
2	Fuel Tank	94073
3	Hose Clamp	95197
4	Fuel Line	23717
5	Hose Clamp	95197
6	Screw	26x201
7	Plate, Engine	94006E700
8	Throttle Control	91989
9	Engine	—
—	Muffler	95206
—	Gasket, Muffler	91309
—	Adapter, Muffler	95207
—	Screw, Adapter	6x103
—	Bolt, Muffler	9x59
—	Lock, Screw	92378
10	Bolt, Engine Mount	25x7
11	Stack Pulley Assembly	690440 Z
12	Lockwasher	19x35
13	Bolt, Hex	1x140
14	Washer	17x170
15	Screw	26x249
21	Guide, Belt	93349
22	Nut, Flange	15x79Z
23	Guide, Belt	94781
26	Screw	26x253
28	Pipe, Exhaust	92855
29	Clamp	92558
30	Shield, Heat	94324
31	Screw	26x263

MODEL 42591x88B VRO4216HX

REPAIR PARTS ELECTRICAL SYSTEM

Key No.	Description	Part No.
1	Harness, Light Wire	250x92
	Socket, Light	92372
	Bulb, Light	90084
2	Harness, Chassis Wire	250x87
3	Switch, Ignition	92556
	Key, Ignition	20729
	Nut, Hex	91489
	Cap, Ignition	91488
4	Switch, Limit	94136
5	Fuse	54212
	Holder, Fuse	407078
6	Solenoid	94613
	Screw, Mounting	26x229
	Locknut	15x116
7	Cable, Battery Ground	24x32
	Screw, Ground Cable	26x213
8	Battery	21075
	Bolt, Carriage	2x82
	Wingnut	14x79
	Boot	54148
9	Harness, Seat Switch Wire	250x67
10	Switch, Seat Sensor	94159
11	Cable	24x31