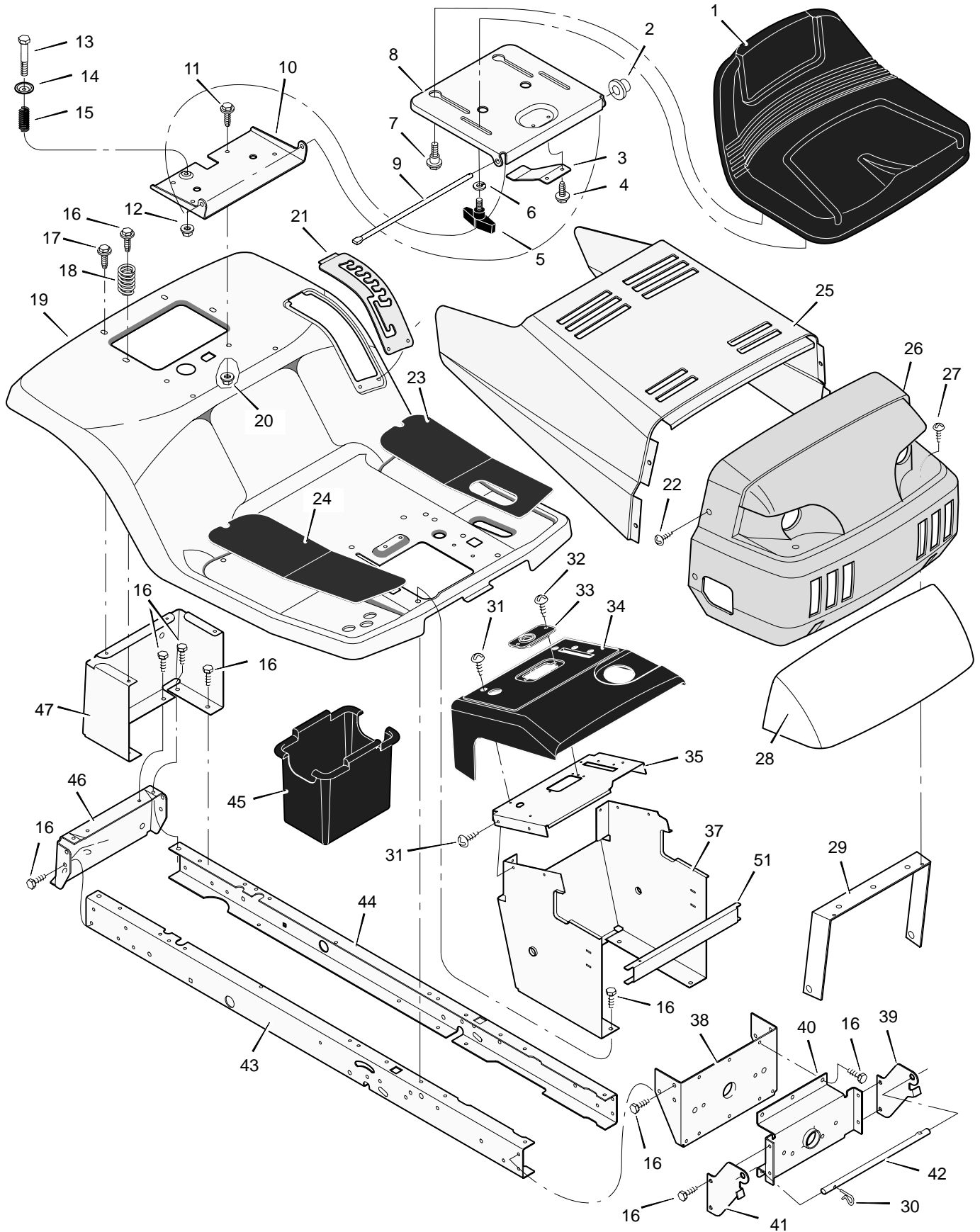


MODEL 42588x52B

REPAIR PARTS CHASSIS & HOOD



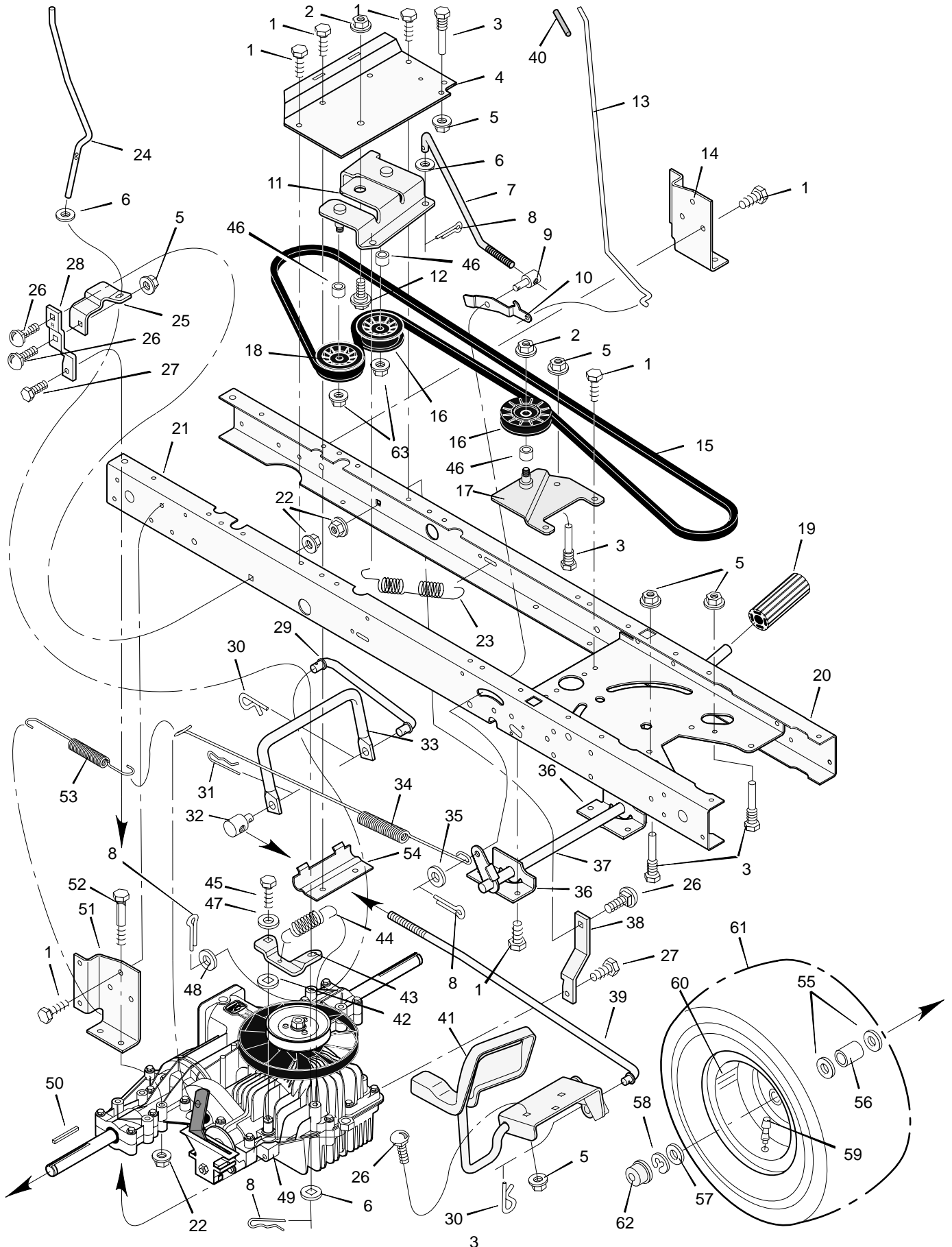
MODEL 42588x52B

REPAIR PARTS CHASSIS & HOOD

Key No.	Description	Part No.	Key No.	Description	Part No.
1	Seat	94162	28	Lens	92369
2	Cap, Push On	28x23	29	Brace, Grille	92448
3	Spring	94057	30	Pin, Hair	31x4
4	Screw	26x229	31	Screw	26x270
5	Bolt, Wing	94160	32	Screw	26x239
6	Washer	17x47 Z	33	Bearing, Steering	94214
7	Bolt, Shoulder	9x56	34	Dash	94218E700
8	Support, Seat	94154E700	35	Plate, Dash	94211E700
9	Rod, Pivot	94156 Z	36	Panel, Access	93007E700
10	Bracket, Pivot	94153E700	37	Support, Dash	95323E700
11	Bolt	1x45	38	Bracket, Rear Hanger	94013E700
12	Nut	15x89	39	Support, Left Grille	94213E700
13	Bolt, Shoulder	9x55	40	Axle, Hanger	94007E700
14	Washer	94155 Z	41	Support, Right Grille	94212E700
15	Spring	164x31	42	Rod, Pivot	92332 Z
16	Screw	26x249	43	Frame, Right	690206E700
17	Screw	26x263	44	Frame, Left	690207E700
18	Spring	164x30	45	Container, Battery	690424
19	Deck, Seat	94150E020	46	Plate, Hitch	94002E700
20	Nut	15x88	47	Panel, Rear	690218E700
21	Plate, Index	94886E700	51	Channel	94215E700
23	Mat, Left	94383	—	Decal, Right Hood	44x7924
24	Mat, Right	94382	—	Decal, Left Hood	44x7925
25	Hood	92333E020	—	Decal, Warning Symbols	44x6815
26	Grille Assembly (Includes Lens)	92367E700	—	Instruction Book & Parts List	F-99814
27	Screw	26x239			

MODEL 42588x52B

REPAIR PARTS MOTION DRIVE



MODEL 42588x52B

REPAIR PARTS MOTION DRIVE

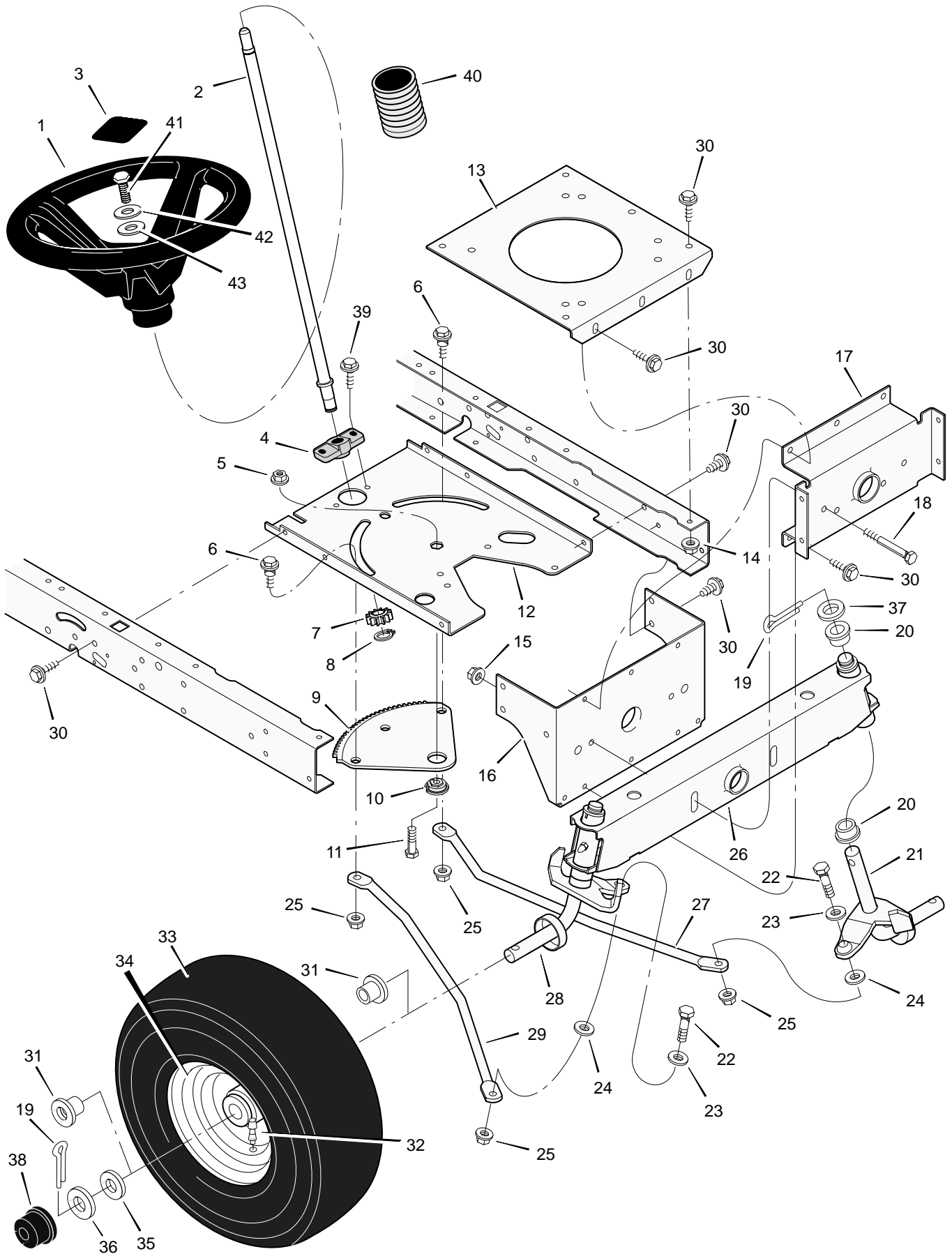
Key No.	Description	Part No.	Key No.	Description	Part No.
1	Screw	26x249	33	Rod, Yoke	94425E700
2	Nut, Flange	15x84	34	Spring, Extension	165x115
3	Guide, Belt	93349	35	Washer	17x169
4	Bracket, Idler	94431E700	36	Bracket, Pivot	94035E700
5	Locknut	15x79	37	Lever, Clutch/Brake	94038E700
6	Washer	17x47 Z	38	Strap, Left Torque	94433E700
7	Rod, Clutch	94417 Z	39	Rod, Front Control	95226 Z
8	Pin, Cotter	30x20	40	Grip	91079
9	Adjuster	94815	41	Pedal, Speed Control	95121E700
10	Latch, Parking Brake	94045 Z	42	Washer	17x148
11	Bracket Assembly, Idler	94411 Z	43	Arm, Disconnect	94430 Z
12	Bolt, Shoulder	9x39	44	Spring	165x112
13	Rod, Parking Brake	94152 Z	45	Bolt	6x105
14	Bracket, Transaxle	94008E700	46	Spacer	690369
15	Belt	37x61	47	Washer	17x38
16	Pulley, Idler	690409	48	Washer	17x169
17	Arm Assembly, Idler	94409 Z	49	Transaxle * *	* *
18	Pulley, Idler	690410	50	Key, Square	21553
19	Pedal	21544	51	Bracket, Transaxle	94008E700
20	Frame, Left	690207E700	52	Bolt	1x155
21	Frame, Right	690206E700	53	Spring, Extension	165x92
22	Nut, Flange	15x88	54	Clamp, Transaxle	94434E700
23	Spring, Extension	165x123	55	Washer	17x160
24	Rod, Disconnect	94428 Z	56	Spacer	87x105 Z
25	Bracket, Disconnect	94429E700	57	Washer	17x195
26	Bolt, Carriage	2x53	58	E-Ring	11x3
27	Screw	26x216	59	Valve Stem	24373
28	Strap, Right Torque	94432E700	60	Wheel & Tire Assembly	92290-601
29	Rod, Link	94426 Z	61	Tire *	92374
30	Pin, Hair	31x4	—	Tube	407049
31	Pin, Hair	31x6	62	Cap, Hub	94618
32	Nut, Adjuster	92132			

* When you order a tire, make sure to give the brand name of the tire so that the tread pattern on the tire will match.

** For information on Replacement Parts see the Central Parts Distributor in your area.

MODEL 42588x52B

REPAIR PARTS STEERING



MODEL 42588x52B

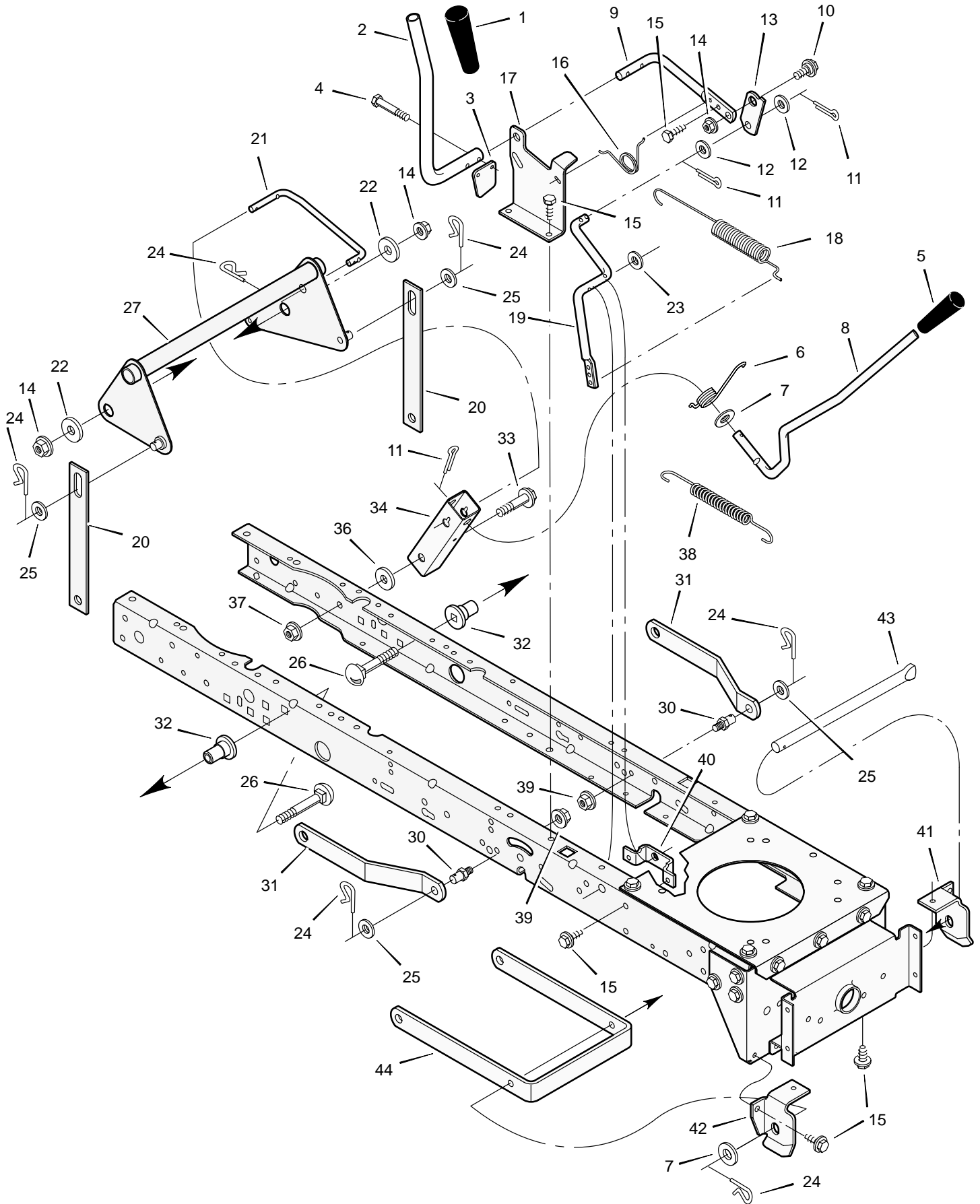
REPAIR PARTS STEERING

Key No.	Description	Part No.	Key No.	Description	Part No.
1	Wheel, Steering	95336	23	Washer	17x104
2	Post, Steering	94520	24	Washer	17x53 Z
3	Insert, Steering Wheel	95338	25	Nut, Flange	15x84
4	Bearing	94124	26	Axle Assembly	690210E700
5	Nut, Flange	15x113	27	Drag Link, Left	95329E700
6	Bolt, Shoulder	9x57	28	Spindle Assembly, Right	94575E700
7	Gear, Pinion	94122E700	29	Drag Link, Right	95328E700
8	Ring, Snap	11x25	30	Screw	26x249
9	Gear, Sector	94121E700	31	Bearing, Wheel	91334
10	Bearing	94123	32	Stem, Valve	24373
11	Bolt	1x84	33	Tire *	91912
12	Plate, Steering	690551E700	—	Tube	407924
13	Plate, Engine	94006E700	34	Wheel and Tire Assembly	94579-601
14	Nut, Flange	15x88	35	Washer	17x195
15	Nut, Flange	15x118	36	Washer	17x192
16	Bracket, Hanger	94013E700	37	Washer	17x113
17	Axle, Hanger	94007E700	38	Hub Cap	94618
18	Bolt	1x146	39	Screw	26x267
19	Pin, Cotter	30x49	40	Bellows	54789
20	Bearing	690150	41	Bolt	1x158
21	Spindle Assembly, Left	94576E700	42	Lockwasher	18x32
22	Bolt	1x111	43	Washer	17x146 Z

* When you order a tire, make sure to give the brand name of the tire so that the tread pattern on the tire will match.

MODEL 42588x52B

REPAIR PARTS MOWER HOUSING SUSPENSION



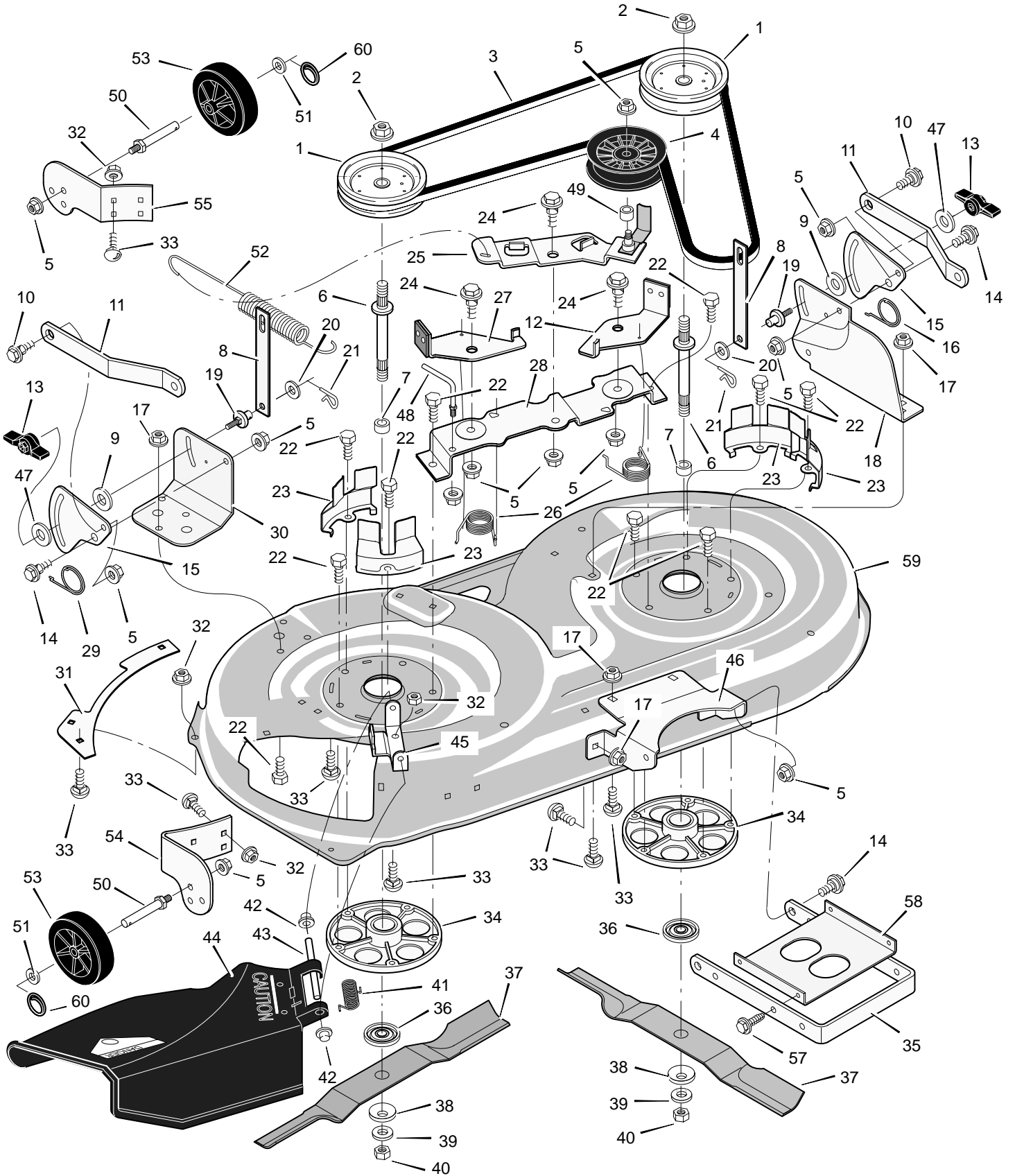
MODEL 42588x52B

REPAIR PARTS MOWER HOUSING SUSPENSION

Key No.	Description	Part No.	Key No.	Description	Part No.
1	Grip	92698	22	Washer	17x168
2	Handle, PTO	94346 Z	23	Washer	17x57
3	Pad, Switch	94022 Z	24	Pin, Hair	31x4
4	Bolt	25x3	25	Washer	17x91 Z
5	Grip	92697	26	Bolt, Carriage	2x85
6	Spring	166x40	27	Lever Assembly, Lift	690363E700
7	Washer	17x103	30	Pin	94067
8	Handle, Lift	690533	31	Bracket, Rear Suspension	94055E700
9	Lever, PTO	94017 Z	32	Spacer, Lifter	690151
10	Bolt, Shoulder	9x39	33	Bolt, Shoulder	9x53
11	Pin, Cotter	30x20	34	Bracket, Pivot	94015E700
12	Washer	17x102	36	Washer	17x191
13	Link, PTO	94004 Z	37	Nut, Flange	15x84
14	Nut, Flange	15x84	38	Spring	165x131
15	Screw	26x249	39	Nut, Flange	15x68
16	Spring	166x39	40	Bracket, PTO	94005E700
17	Bracket, PTO	94018E700	41	Hanger, Left Deck	94027E700
18	Spring	165x118	42	Hanger, Right Deck	94026E700
19	Crank, PTO	690394E700	43	Rod, Hanger	94158Z
20	Link, Lift	690212E700	44	Bracket, Suspension	94058E700
21	Link, Lift Handle	690122E700			

MODEL 42588x52B

REPAIR PARTS



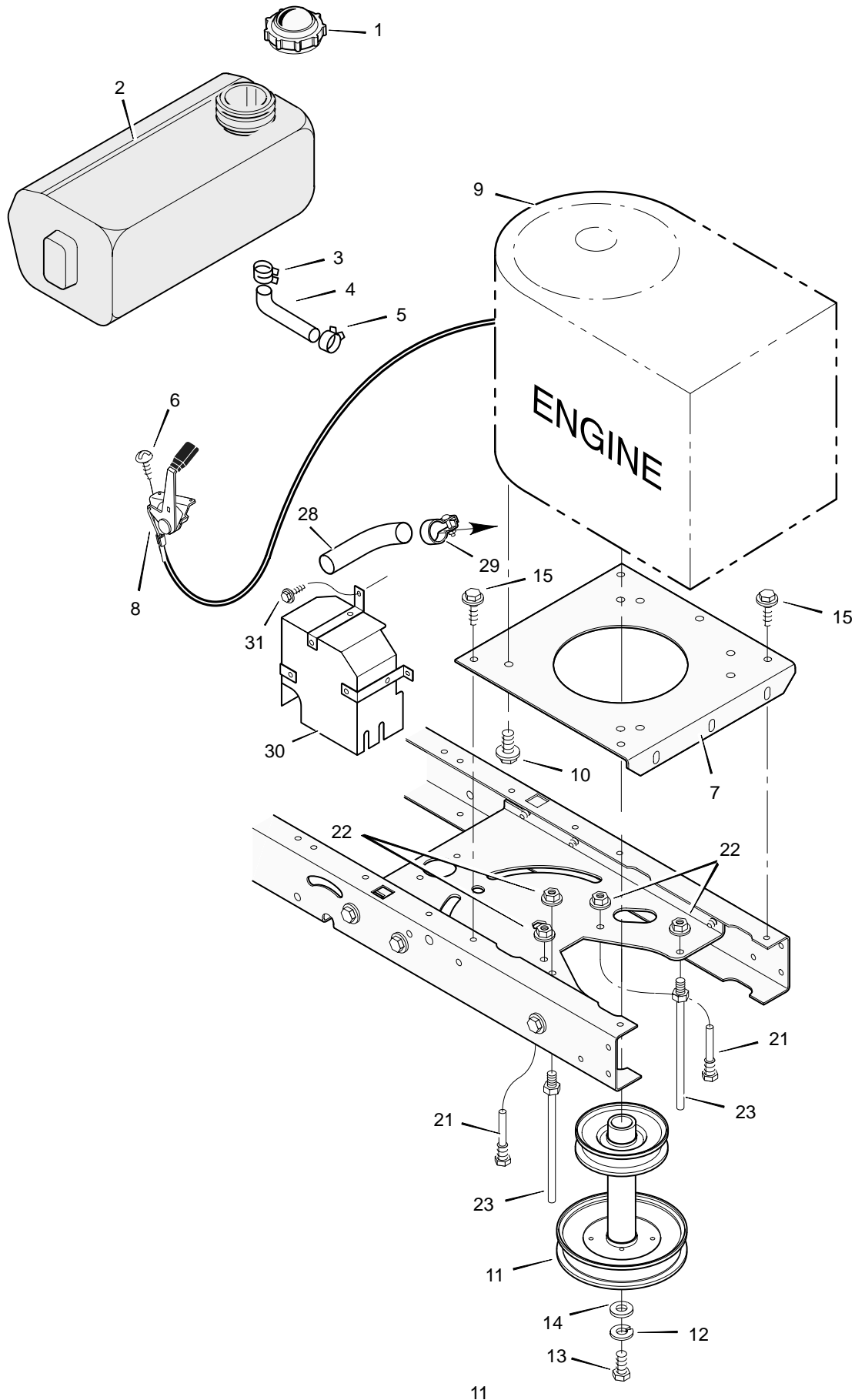
MODEL 42588x52B

REPAIR PARTS

Key No.	Description	Part No.	Key No.	Description	Part No.
1	Pulley, Jackshaft	94199	31	Plate	92426E700
2	Nut, Hex	15x121	32	Nut, Flange	15x88
3	Belt, Mower Drive	37x88	33	Bolt, Carriage	2x53
4	Pulley, Idler	690387	34	Mandrell Housing	92574
5	Nut, Flange	15x84	35	Bracket, Suspension	94058E700
6	Jackshaft	94129	36	Adapter, Blade	92466
7	Spacer	94130	37	Blade	690205E701
8	Link, Lift	690212E700	38	Washer	17x166
9	Pad, Friction	94137	39	Washer	17x165
10	Bolt, Shoulder	9x52	40	Nut	15x100
11	Bracket, Suspension	94055E700	41	Spring	166x4
12	Pad Assembly, Left Brake	94049E700	42	Cap, Push On	28x23
13	Knob	94068	43	Rod, Deflector	94957 Z
14	Bolt, Shoulder	9x51	44	Deflector Assembly	94707 SE
15	Plate, Suspension	94128E700	45	Bracket, Deflector Hinge	94956E700
16	Spring	166x43	46	Bracket, Front Hanger	94686E700
17	Nut, Flange	15x79	47	Washer	17x45 Z
18	Bracket, Suspension	94192E700	48	Guide, Belt	94781
19	Pin, Hanger	94194	49	Spacer	690369
20	Washer	17x103	50	Bolt, Axle	94025
21	Pin, Hair	31x4	51	Washer	17x91 Z
22	Bolt	25x7	52	Spring, Extension	165x119
23	Cover, Pulley	94051E700	53	Wheel, Gage	92683
24	Bolt, Shoulder	9x39	54	Bracket, Right Wheel	92422E700
25	Arm, Idler	690408E700	55	Bracket, Left Wheel	92423E700
26	Spring	166x41	57	Screw	26x249
27	Pad Assembly, Right Brake	94047E700	58	Stiffener	94604E700
28	Bracket, Brake	94193E700	59	Housing, Blade	94814E700
29	Spring	166x42	60	Ring, Locking	31x11
30	Bracket, Suspension	94191E700	1-60	Complete Mower Housing Assembly	776007

MODEL 42588x52B

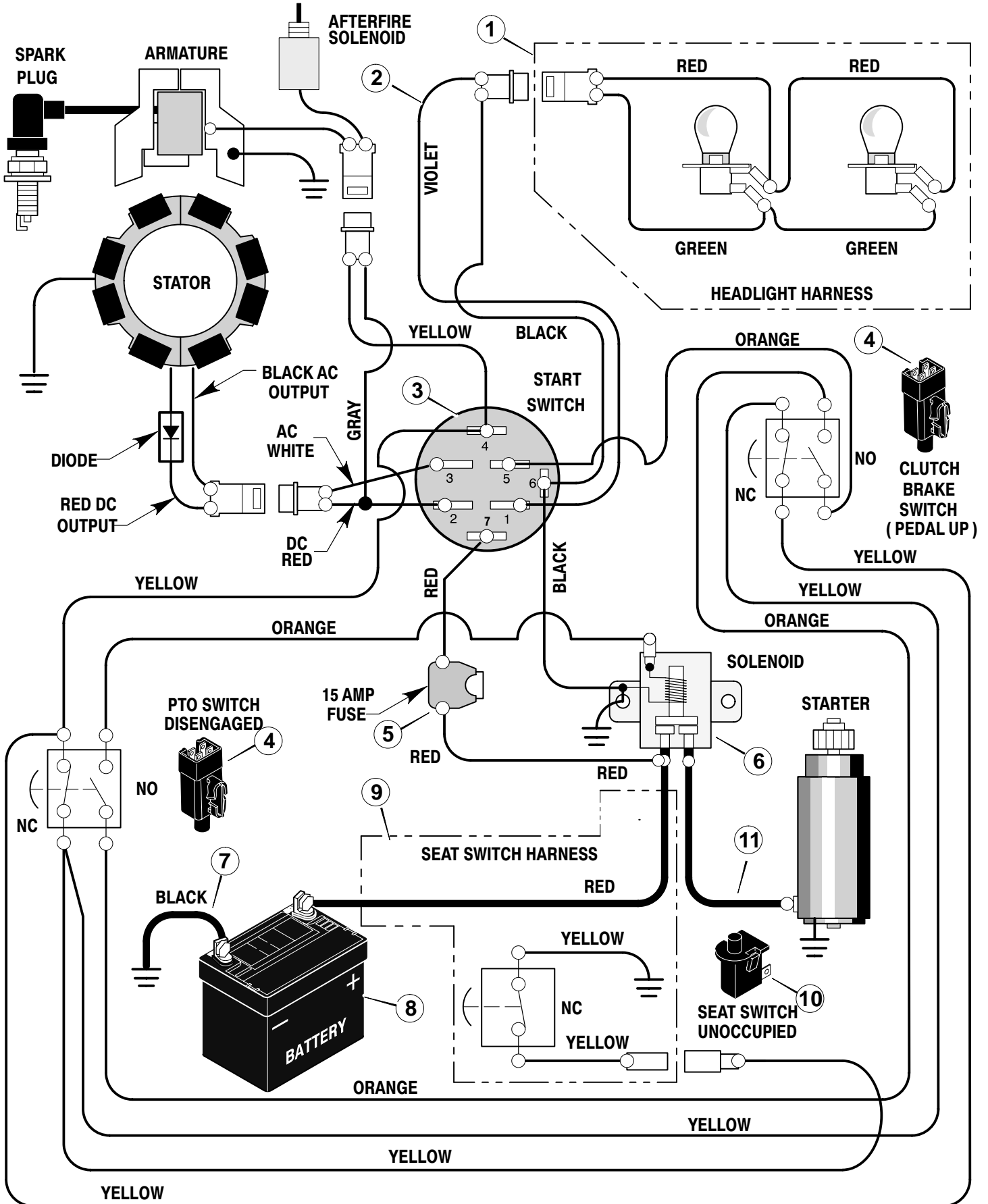
REPAIR PARTS ENGINE MOUNT



Key No.	Description	Part No.
1	Fuel Cap	92317
2	Fuel Tank	92342
3	Hose Clamp	95197
4	Fuel Line	23717
5	Hose Clamp	95197
6	Screw	26x201
7	Plate, Engine	94006E700
8	Throttle Control	92371
9	Engine	—
10	Bolt, Engine Mount	25x7
11	Stack Pulley Assembly	94407 Z
12	Lockwasher	19x35
13	Bolt, Hex	1x140
14	Washer	17x170
15	Screw	26x249
21	Guide, Belt	93349
22	Nut, Flange	15x79Z
23	Guide, Belt	94066
28	Pipe, Exhaust	92855
29	Clamp	92558
30	Shield, Heat	92550
31	Screw	26x263

MODEL 42588x52B

REPAIR PARTS ELECTRICAL SYSTEM



Key No.	Description	Part No.
1	Harness, Light Wire	250x92
	Socket, Light	92372
	Bulb, Light	90084
2	Harness, Chassis Wire	250x87
3	Switch, Ignition	92556
	Key, Ignition	20729
	Nut, Hex	91489
	Cap, Ignition	91488
4	Switch, Limit	94136
5	Fuse	54212
	Holder, Fuse	407078
6	Solenoid	94613
	Screw, Mounting	26x229
	Locknut	15x116
7	Cable, Battery Ground	24x32
	Screw, Ground Cable	26x213
8	Battery	21075
	Bolt, Carriage	2x82
	Wingnut	14x79
9	Harness, Seat Switch Wire	250x67
10	Switch, Seat Sensor	94159
11	Cable	24x31