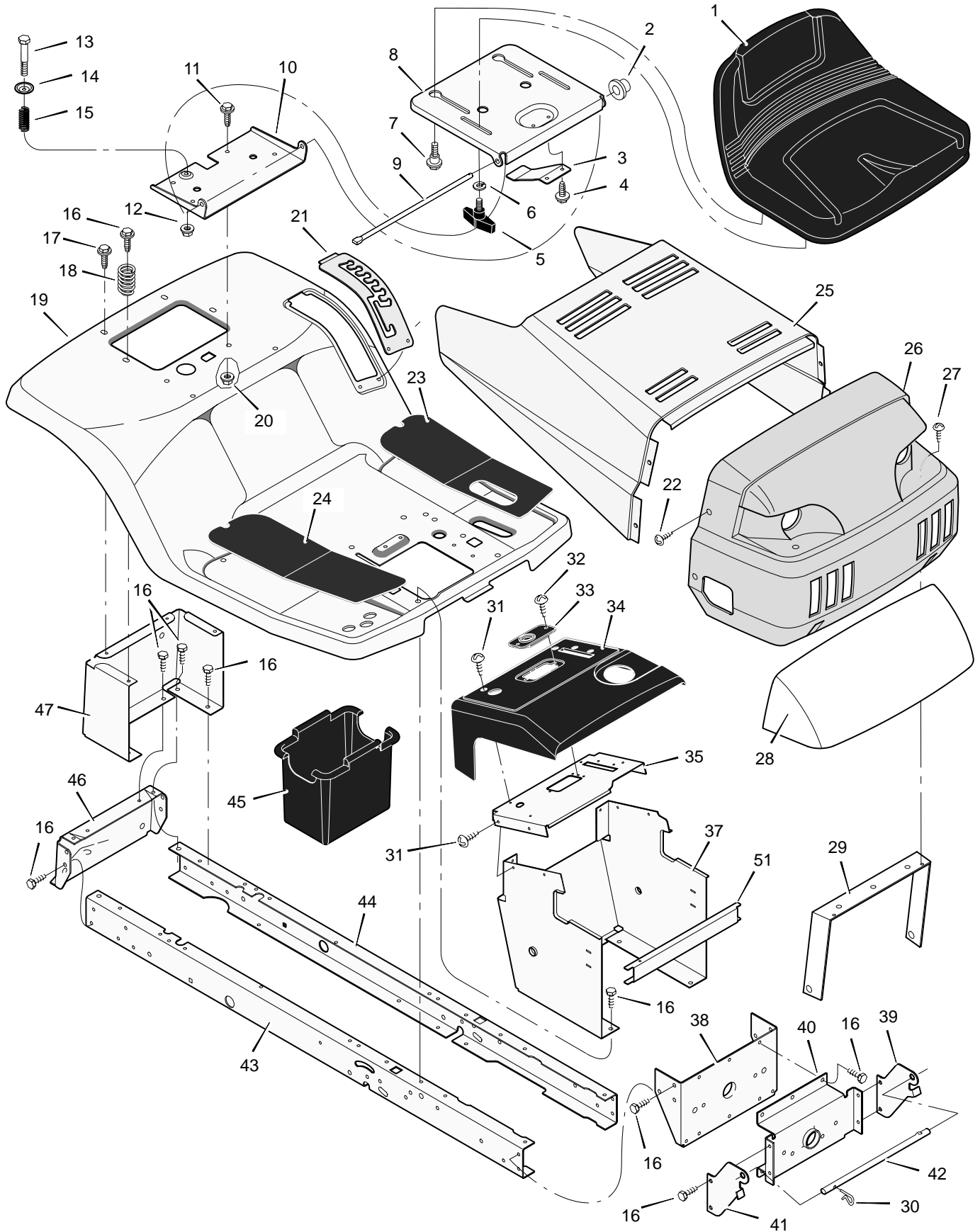


MODEL 42588x52A

REPAIR PARTS CHASSIS & HOOD



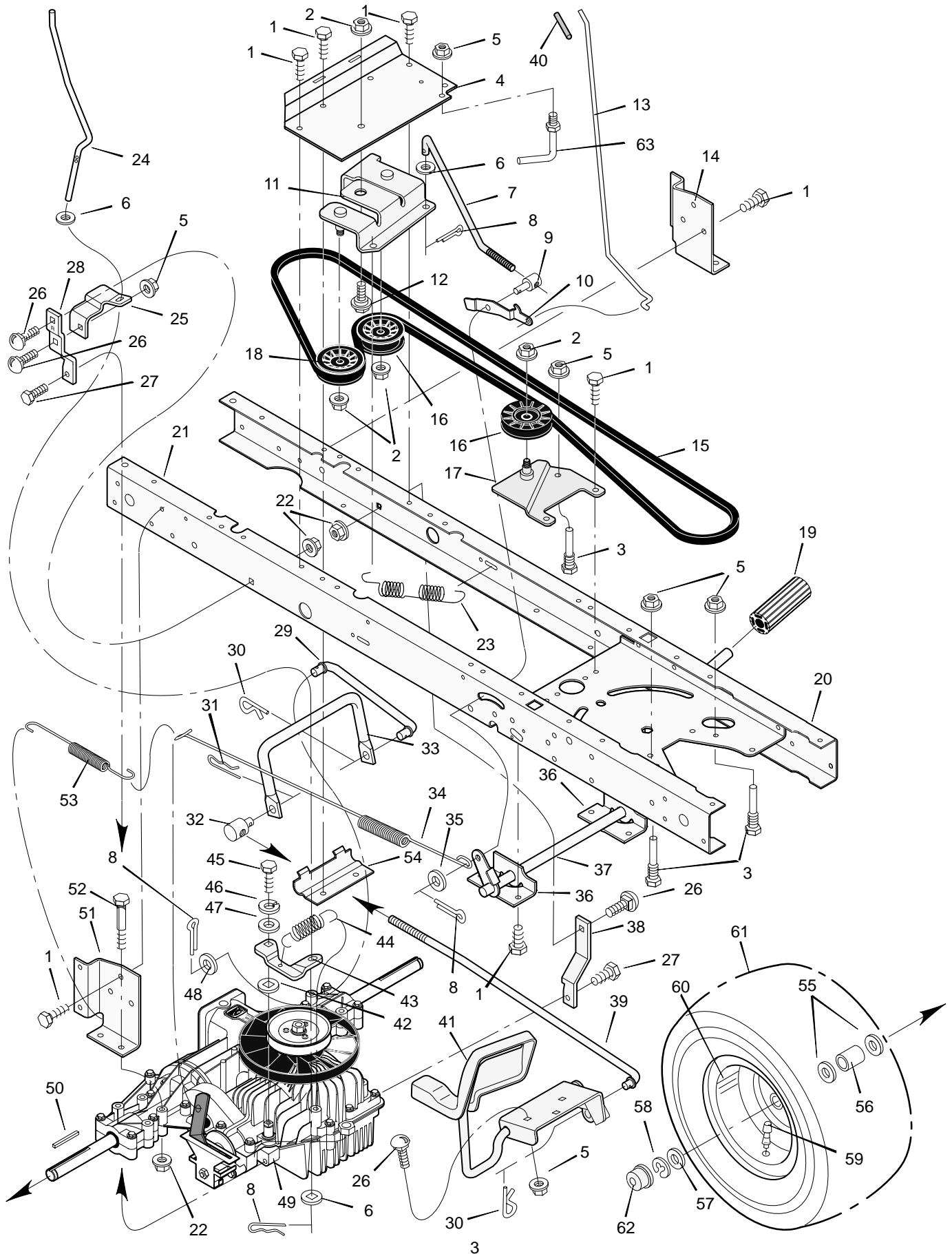
MODEL 42588x52A

REPAIR PARTS CHASSIS & HOOD

| Key No. | Description | Part No. | Key No. | Description | Part No. |
|---------|---------------------------------|-----------|---------|------------------------|-----------|
| 1 | Seat | 94162 | 29 | Brace, Grille | 92448 |
| 2 | Cap, Push On | 28x23 | 30 | Pin, Hair | 31x4 |
| 3 | Spring | 94057 | 31 | Screw | 26x270 |
| 4 | Screw | 26x229 | 32 | Screw | 26x239 |
| 5 | Bolt, Wing | 94160 | 33 | Bearing, Steering | 94214 |
| 6 | Washer | 17x47 Z | 34 | Dash | 94218E700 |
| 7 | Bolt, Shoulder | 9x56 | 35 | Plate, Dash | 94211E700 |
| 8 | Support, Seat | 94154E700 | 36 | Panel, Access | 93007E700 |
| 9 | Rod, Pivot | 94156 Z | 37 | Support, Dash | 95323E700 |
| 10 | Bracket, Pivot | 94153E700 | 38 | Bracket, Rear Hanger | 94013E700 |
| 11 | Bolt | 1x45 | 39 | Support, Left Grille | 94213E700 |
| 12 | Nut | 15x89 | 40 | Axle, Hanger | 94007E700 |
| 13 | Bolt, Shoulder | 9x55 | 41 | Support, Right Grille | 94212E700 |
| 14 | Washer | 94155 Z | 42 | Rod, Pivot | 92332 Z |
| 15 | Spring | 164x31 | 43 | Frame, Right | 94000E700 |
| 16 | Screw | 26x249 | 44 | Frame, Left | 94001E700 |
| 17 | Screw | 26x263 | 45 | Container, Battery | 94069 |
| 18 | Spring | 164x30 | 46 | Plate, Hitch | 94002E700 |
| 19 | Deck, Seat | 94150E020 | 47 | Panel, Rear | 94187E700 |
| 20 | Nut | 15x88 | 51 | Channel | 94215E700 |
| 21 | Plate, Index | 94886E700 | — | Decal, Right Hood | 44x7924 |
| 23 | Mat, Left | 94453 | — | Decal, Left Hood | 44x7925 |
| 24 | Mat, Right | 94454 | — | Decal, Warning Symbols | 44x6815 |
| 25 | Hood | 92333E020 | — | Book, Instruction | F-98841 |
| 26 | Grille Assembly (Includes Lens) | 92367E700 | — | Book, Instruction | F-98842 |
| 27 | Screw | 26x239 | — | Parts List | F-98843 |
| 28 | Lens | 92369 | | | |

MODEL 42588x52A

REPAIR PARTS MOTION DRIVE



MODEL 42588x52A

REPAIR PARTS MOTION DRIVE

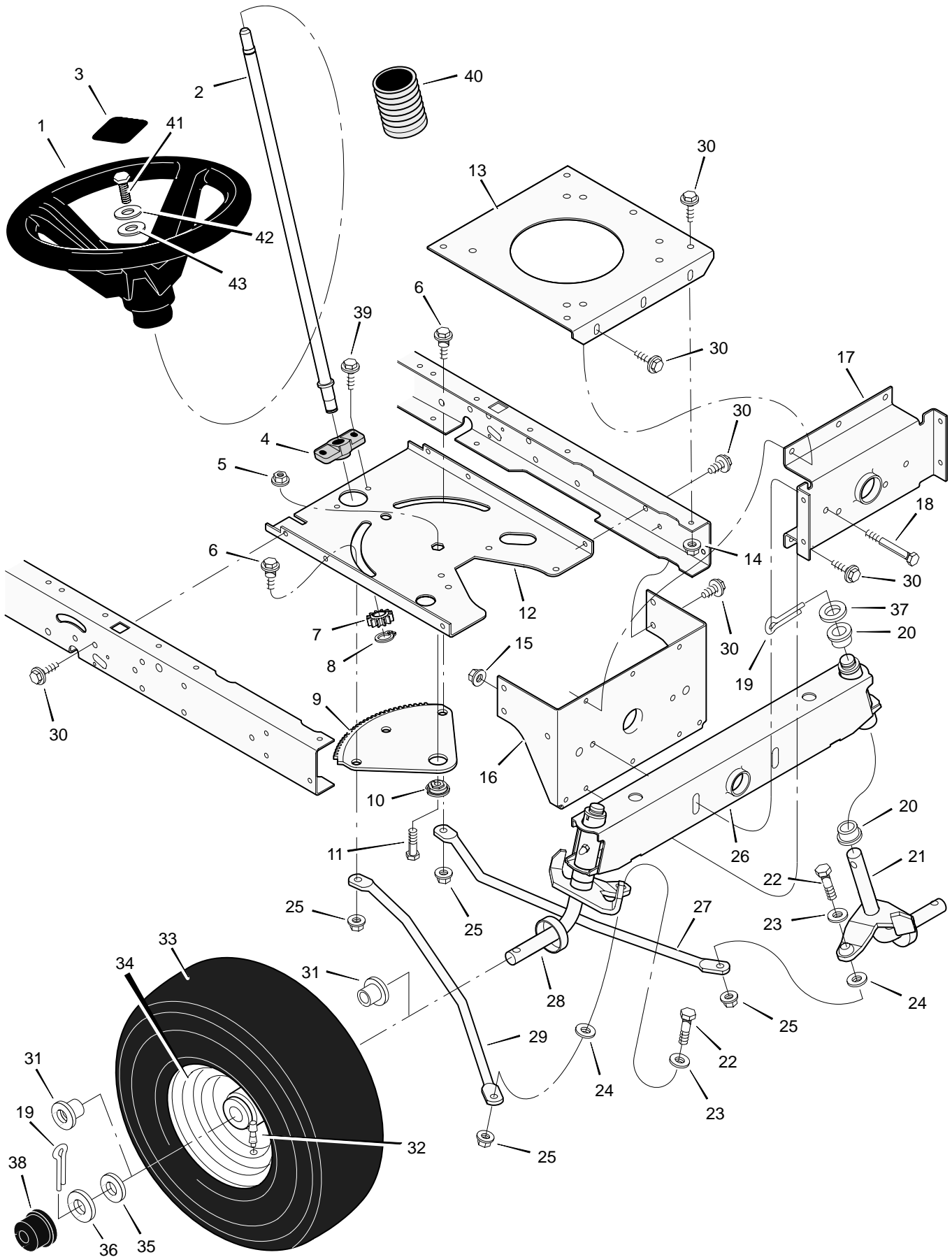
| Key No. | Description | Part No. | Key No. | Description | Part No. |
|---------|-------------------------|-----------|---------|--------------------------|-----------|
| 1 | Screw | 26x249 | 33 | Rod, Yoke | 94425E700 |
| 2 | Nut, Flange | 15x84 | 34 | Spring, Extension | 165x92 |
| 3 | Guide, Belt | 93349 | 35 | Washer | 17x169 |
| 4 | Bracket, Idler | 94431E700 | 36 | Bracket, Pivot | 94035E700 |
| 5 | Locknut | 15x79 | 37 | Lever, Clutch/Brake | 94038E700 |
| 6 | Washer | 17x47 Z | 38 | Strap, Left Torque | 94433E700 |
| 7 | Rod, Clutch | 94417 Z | 39 | Rod, Pedal Link | 94424 Z |
| 8 | Pin, Cotter | 30x20 | 40 | Grip | 91079 |
| 9 | Adjuster | 94815 | 41 | Pedal, Speed Control | 94422E700 |
| 10 | Latch, Parking Brake | 94045 Z | 42 | Washer | 17x148 |
| 11 | Bracket Assembly, Idler | 94411 Z | 43 | Arm, Disconnect | 94430 Z |
| 12 | Bolt, Shoulder | 9x39 | 44 | Spring | 165x112 |
| 13 | Rod, Parking Brake | 95005 Z | 45 | Bolt | 1x145 |
| 14 | Bracket, Left Transaxle | 94185E700 | 46 | Lockwasher | 18x32 |
| 15 | Belt | 37x61 | 47 | Washer | 17x180 |
| 16 | Pulley, Idler | 91179 | 48 | Washer | 17x91 |
| 17 | Arm Assembly, Idler | 94409 Z | 49 | Transaxle * * | * * |
| 18 | Pulley, Idler | 91178 | 50 | Key, Square | 21553 |
| 19 | Pedal | 21544 | 51 | Bracket, Right Transaxle | 94184E700 |
| 20 | Frame, Left | 94001E700 | 52 | Bolt | 1x155 |
| 21 | Frame, Right | 94000E700 | 53 | Spring, Extension | 165x92 |
| 22 | Nut, Flange | 15x88 | 54 | Clamp, Transaxle | 94434E700 |
| 23 | Spring, Extension | 165x123 | 55 | Washer | 17x160 |
| 24 | Rod, Disconnect | 94428 Z | 56 | Spacer | 87x105 Z |
| 25 | Bracket, Disconnect | 94429E700 | 57 | Washer | 17x195 |
| 26 | Bolt, Carriage | 2x53 | 58 | E-Ring | 11x3 |
| 27 | Screw | 26x216 | 59 | Valve Stem | 24373 |
| 28 | Strap, Right Torque | 94432E700 | 60 | Wheel & Tire Assembly | 92290-601 |
| 29 | Rod, Link | 94426 Z | 61 | Tire * | 92374 |
| 30 | Pin, Hair | 31x4 | — | Tube | 407049 |
| 31 | Pin, Hair | 31x6 | 62 | Cap, Hub | 94618 |
| 32 | Nut, Adjuster | 92132 | 63 | Guide, Belt | 94781 |

* When you order a tire, make sure to give the brand name of the tire so that the tread pattern on the tire will match.

** For information on Replacement Parts see the Central Parts Distributor in your area.

MODEL 42588x52A

REPAIR PARTS STEERING



MODEL 42588x52A

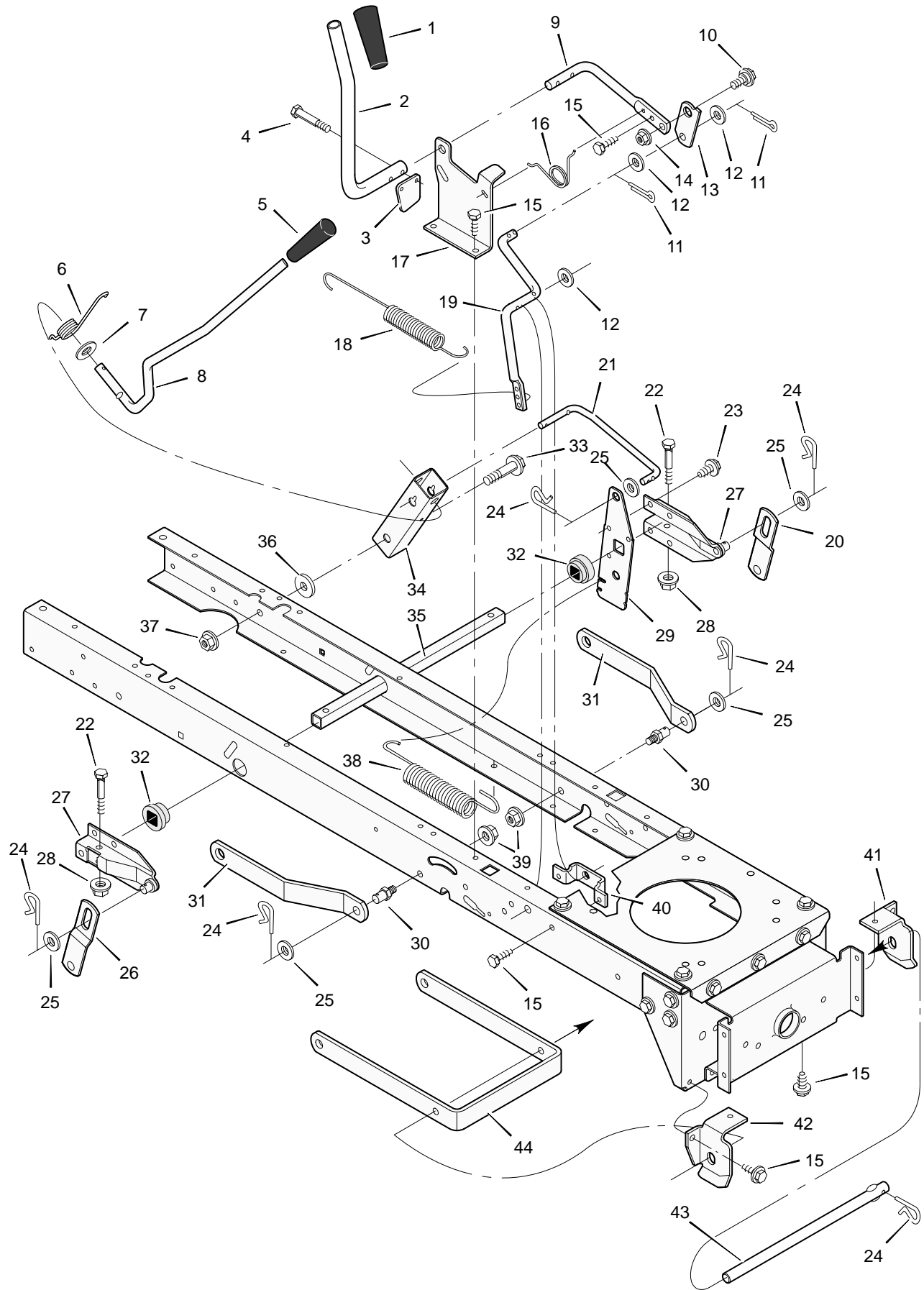
REPAIR PARTS STEERING

| Key No. | Description | Part No. | Key No. | Description | Part No. |
|---------|------------------------|-----------|---------|-------------------------|-----------|
| 1 | Wheel, Steering | 95336 | 23 | Washer | 17x104 |
| 2 | Post, Steering | 94520 | 24 | Washer | 17x53 Z |
| 3 | Insert, Steering Wheel | 95338 | 25 | Nut, Flange | 15x84 |
| 4 | Bearing | 94124 | 26 | Axle Assembly | 94012E700 |
| 5 | Nut, Flange | 15x113 | 27 | Drag Link, Left | 94021E700 |
| 6 | Bolt, Shoulder | 9x57 | 28 | Spindle Assembly, Right | 94575E700 |
| 7 | Gear, Pinion | 94122E700 | 29 | Drag Link, Right | 94020E700 |
| 8 | Ring, Snap | 11x25 | 30 | Screw | 26x249 |
| 9 | Gear, Sector | 94121E700 | 31 | Bearing, Wheel | 91334 |
| 10 | Bearing | 94123 | 32 | Stem, Valve | 24373 |
| 11 | Bolt | 1x84 | 33 | Tire * | 91912 |
| 12 | Plate, Steering | 94003E700 | — | Tube | 407924 |
| 13 | Plate, Engine | 94006E700 | 34 | Wheel and Tire Assembly | 94579-601 |
| 14 | Nut, Flange | 15x88 | 35 | Washer | 17x195 |
| 15 | Nut, Flange | 15x118 | 36 | Washer | 17x192 |
| 16 | Bracket, Hanger | 94013E700 | 37 | Washer | 17x113 |
| 17 | Axle, Hanger | 94007E700 | 38 | Hub Cap | 94618 |
| 18 | Bolt | 1x146 | 39 | Screw | 26x267 |
| 19 | Pin, Cotter | 30x49 | 40 | Bellows | 54789 |
| 20 | Bearing | 92527 | 41 | Bolt | 1x158 |
| 21 | Spindle Assembly, Left | 94576E700 | 42 | Lockwasher | 18x32 |
| 22 | Bolt | 1x111 | 43 | Washer | 17x146 Z |

* When you order a tire, make sure to give the brand name of the tire so that the tread pattern on the tire will match.

MODEL 42588x52A

REPAIR PARTS MOWER HOUSING SUSPENSION



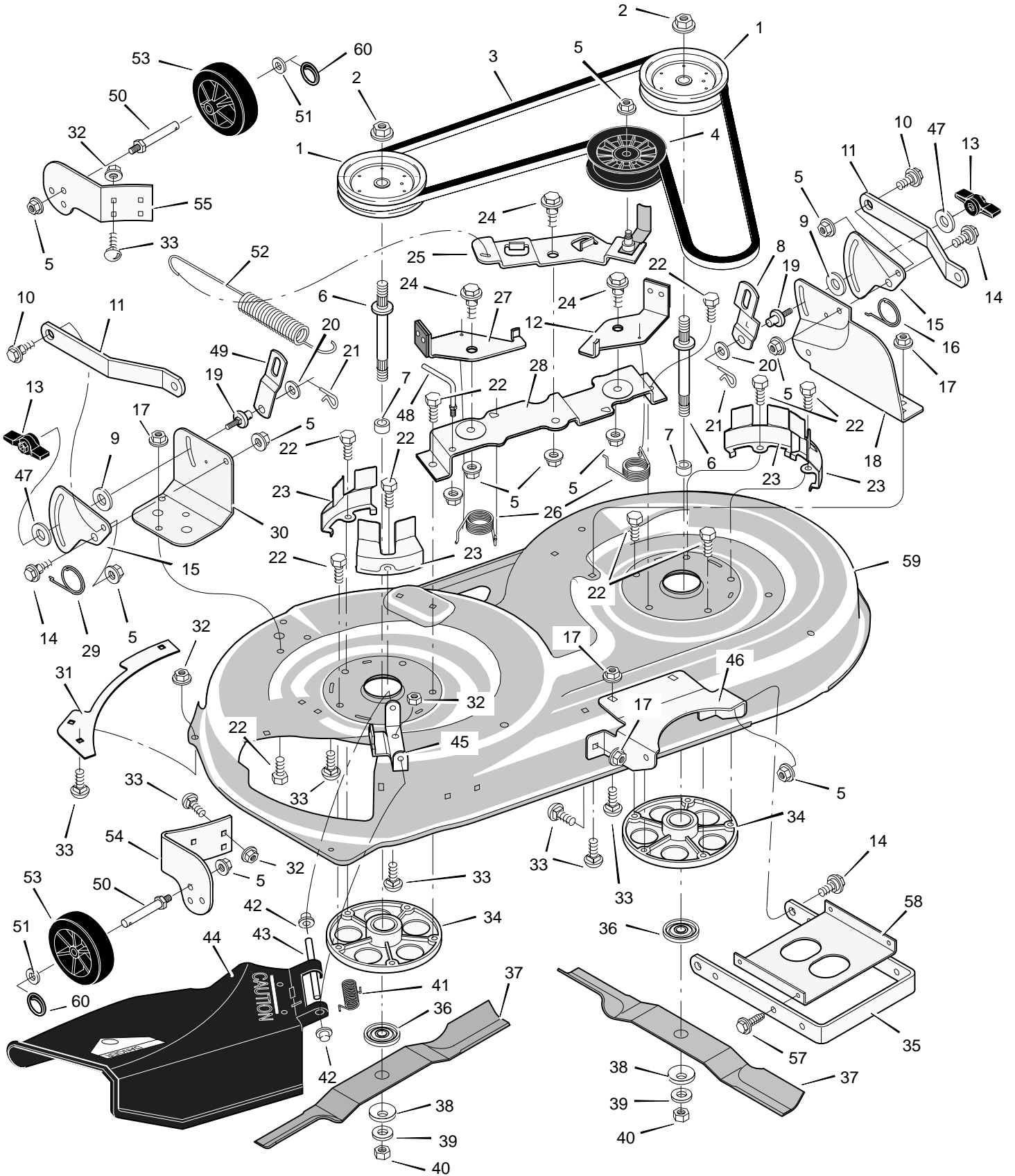
MODEL 42588x52A

REPAIR PARTS MOWER HOUSING SUSPENSION

| Key No. | Description | Part No. | Key No. | Description | Part No. |
|---------|-----------------|-----------|---------|--------------------------|-----------|
| 1 | Grip | 92698 | 23 | Screw | 26x49 |
| 2 | Handle, PTO | 94346 Z | 24 | Pin, Hair | 31x4 |
| 3 | Pad, Switch | 94022 Z | 25 | Washer | 17x91 Z |
| 4 | Bolt | 25x3 | 26 | Link, Right Lift | 94053E700 |
| 5 | Grip | 92697 | 27 | Lever Assembly, Lift | 94180E700 |
| 6 | Spring | 166x40 | 28 | Nut, Flange | 15x118 |
| 7 | Washer | 17x103 | 29 | Plate, Lift Arm | 94030E700 |
| 8 | Handle, Lift | 94195 Z | 30 | Pin | 94067 |
| 9 | Lever, PTO | 94017 Z | 31 | Bracket, Rear Suspension | 94055E700 |
| 10 | Bolt, Shoulder | 9x39 | 32 | Bushing | 94065 |
| 11 | Pin, Cotter | 30x20 | 33 | Bolt, Shoulder | 9x53 |
| 12 | Washer | 17x57 | 34 | Bracket, Pivot | 94015E700 |
| 13 | Link, PTO | 94004 Z | 35 | Tube, Deck Lift | 94063E700 |
| 14 | Nut, Flange | 15x84 | 36 | Washer | 17x191 |
| 15 | Screw | 26x249 | 37 | Nut, Flange | 15x84 |
| 16 | Spring | 166x39 | 38 | Spring | 165x117 |
| 17 | Bracket, PTO | 94018E700 | 39 | Nut, Flange | 15x68 |
| 18 | Spring | 165x119 | 40 | Bracket, PTO | 94005E700 |
| 19 | Crank, PTO | 94019E700 | 41 | Hanger, Left Deck | 94027E700 |
| 20 | Link, Left Lift | 94611E700 | 42 | Hanger, Right Deck | 94026E700 |
| 21 | Link, Lift | 94028 Z | 43 | Rod, Hanger | 94158 Z |
| 22 | Bolt | 1x74 | 44 | Bracket, Suspension | 94058E700 |

MODEL 42588x52A

REPAIR PARTS MOWER HOUSING



MODEL 42588x52A

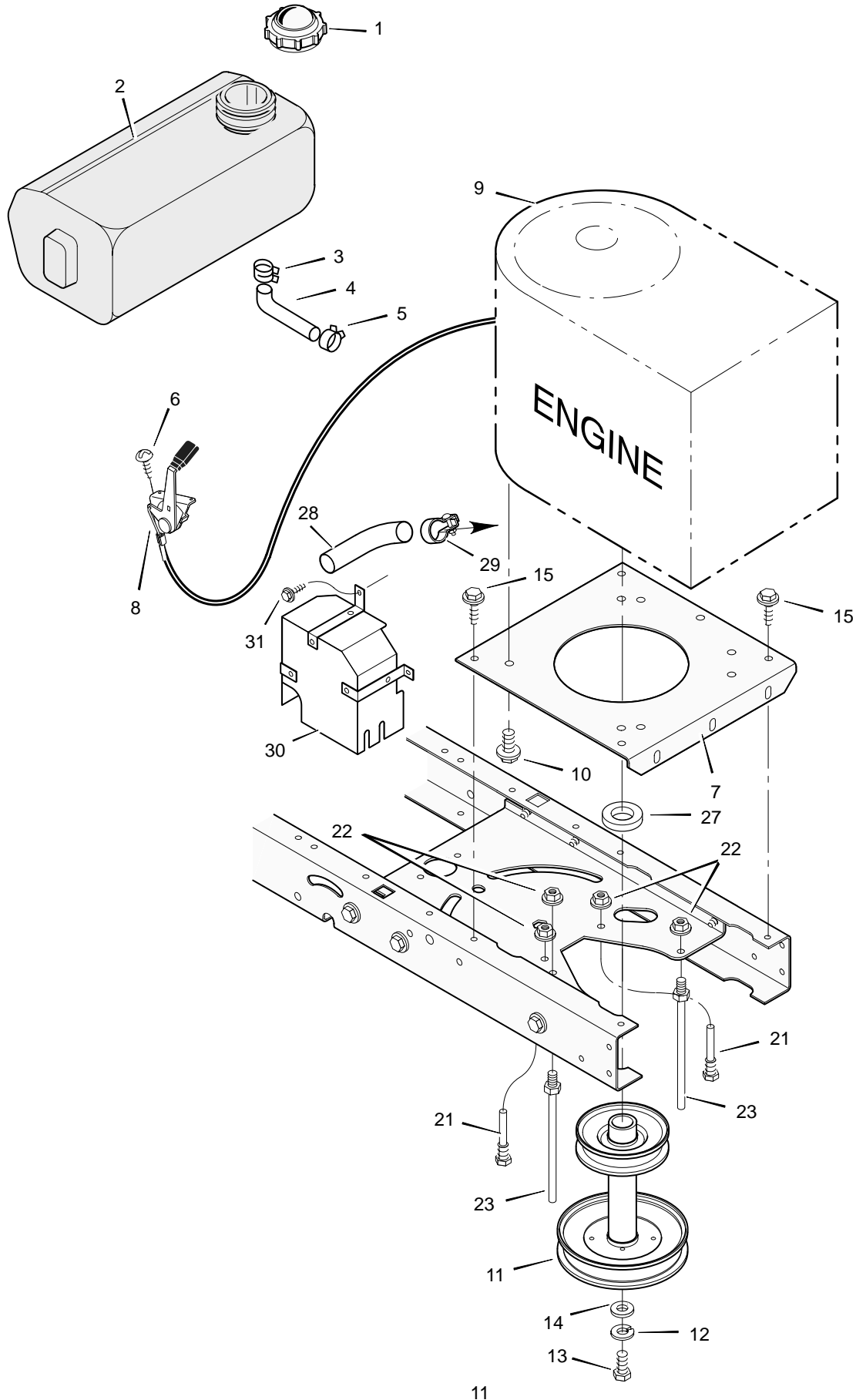
REPAIR PARTS MOWER HOUSING

| Key No. | Description | Part No. | Key No. | Description | Part No. |
|---------|---------------------------|-----------|---------|---------------------------------|-----------|
| 1 | Pulley, Jackshaft | 94199 | 31 | Plate | 92426E700 |
| 2 | Nut, Hex | 15x121 | 32 | Nut, Flange | 15x88 |
| 3 | Belt, Mower Drive | 37x88 | 33 | Bolt, Carriage | 2x53 |
| 4 | Pulley, Idler | 91801 | 34 | Mandrell Housing | 92574 |
| 5 | Nut, Flange | 15x84 | 35 | Bracket, Suspension | 94058E700 |
| 6 | Jackshaft | 94129 | 36 | Adapter, Blade | 94199 |
| 7 | Spacer | 94130 | 37 | Blade | 95102E701 |
| 8 | Link, Left Lift | 94053E700 | 38 | Washer | 17x166 |
| 9 | Pad, Friction | 94137 | 39 | Washer | 17x165 |
| 10 | Bolt, Shoulder | 9x52 | 40 | Nut | 15x100 |
| 11 | Bracket, Suspension | 94055E700 | 41 | Spring | 166x4 |
| 12 | Pad Assembly, Left Brake | 94049E700 | 42 | Cap, Push On | 28x23 |
| 13 | Knob | 94068 | 43 | Rod, Deflector | 94957 Z |
| 14 | Bolt, Shoulder | 9x51 | 44 | Deflector Assembly | 94707 SE |
| 15 | Plate, Suspension | 94128E700 | 45 | Bracket, Deflector Hinge | 94956E700 |
| 16 | Spring | 166x43 | 46 | Bracket, Front Hanger | 94686E700 |
| 17 | Nut, Flange | 15x79 | 47 | Washer | 17x45 Z |
| 18 | Bracket, Suspension | 94192E700 | 48 | Guide, Belt | 94781 |
| 19 | Pin, Hanger | 94064 | 49 | Link, Right Lift | 94611E700 |
| 20 | Washer | 17x103 | 50 | Bolt, Axle | 94025 |
| 21 | Pin, Hair | 31x4 | 51 | Washer | 17x91 Z |
| 22 | Bolt | 25x7 | 52 | Spring, Extension | 165x119 |
| 23 | Cover, Pulley | 94051E700 | 53 | Wheel, Gage | 92683 |
| 24 | Bolt, Shoulder | 9x39 | 54 | Bracket, Right Wheel | 92422E700 |
| 25 | Arm, Idler | 94177E700 | 55 | Bracket, Left Wheel | 92423E700 |
| 26 | Spring | 166x41 | 57 | Screw | 26x249 |
| 27 | Pad Assembly, Right Brake | 94047E700 | 58 | Stiffener | 94604E700 |
| 28 | Bracket, Brake | 94193E700 | 59 | Housing, Blade * | 94814E700 |
| 29 | Spring | 166x42 | 60 | Ring, Locking | 31x11 |
| 30 | Bracket, Suspension | 94191E700 | 1-60 | Complete Mower Housing Assembly | 776007 |

* Includes Key No. 17, 18, 30, 31, 32, 33, 45, 46, 53, 54, 55, and 56.

MODEL 42588x52A

REPAIR PARTS ENGINE MOUNT



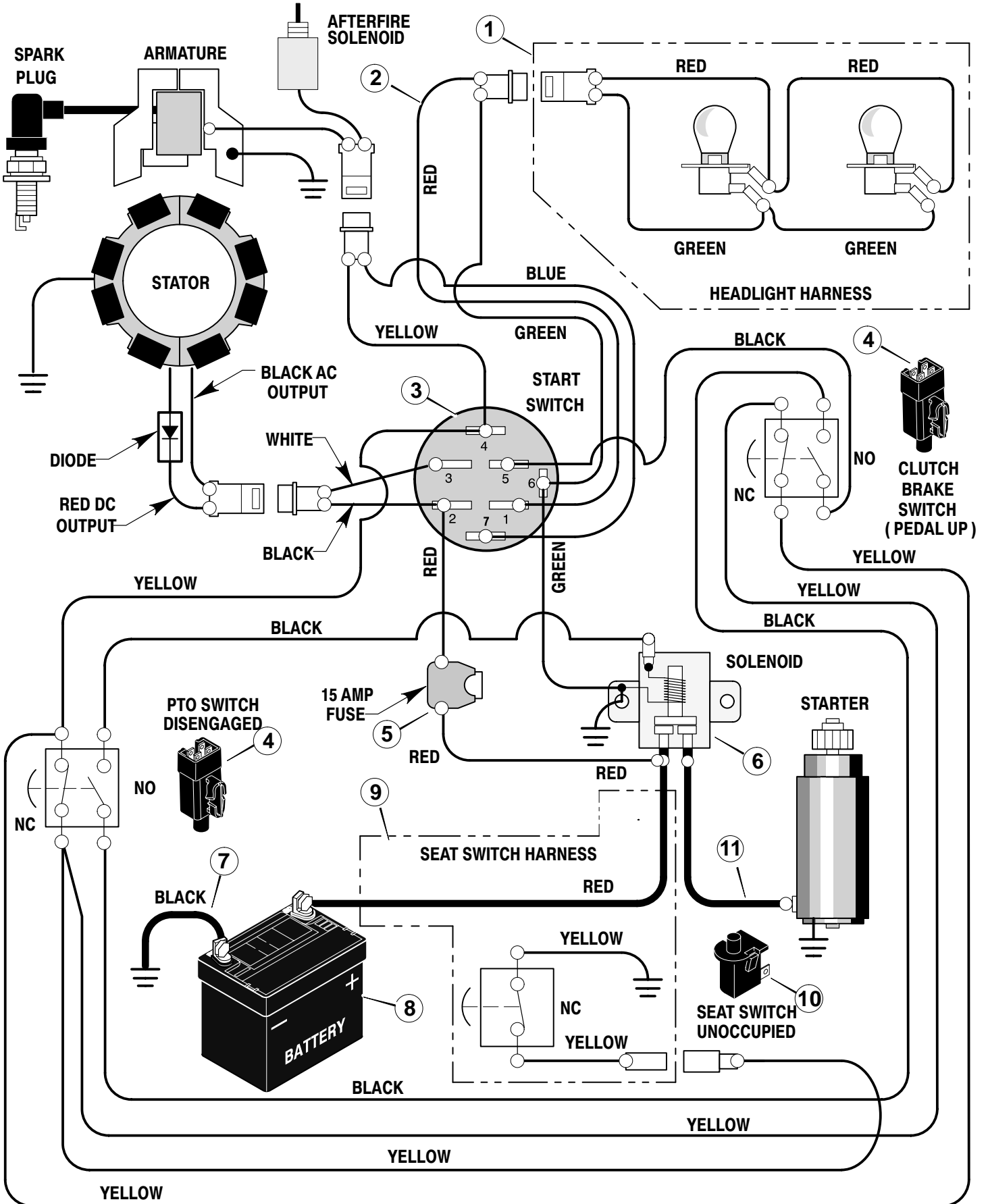
MODEL 42588x52A

REPAIR PARTS ENGINE MOUNT

| Key No. | Description | Part No. |
|---------|-----------------------|-----------|
| 1 | Fuel Cap | 92317 |
| 2 | Fuel Tank | 92342 |
| 3 | Hose Clamp | 95197 |
| 4 | Fuel Line | 23717 |
| 5 | Hose Clamp | 95197 |
| 6 | Screw | 26x201 |
| 7 | Plate, Engine | 94006E700 |
| 8 | Throttle Control | 91989 |
| 9 | Engine | — |
| 10 | Bolt, Engine Mount | 25x7 |
| 11 | Stack Pulley Assembly | 94407 Z |
| 12 | Lockwasher | 19x35 |
| 13 | Bolt, Hex | 1x140 |
| 14 | Washer | 17x170 |
| 15 | Screw | 26x249 |
| 21 | Guide, Belt | 93349 |
| 22 | Nut, Flange | 15x79Z |
| 23 | Guide, Belt | 94066 |
| 27 | Spacer | 93077 |
| 28 | Pipe, Exhaust | 92855 |
| 29 | Clamp | 92558 |
| 30 | Shield, Heat | 92550 |
| 31 | Screw | 26x263 |

MODEL 42588x52A

REPAIR PARTS ELECTRICAL SYSTEM



MODEL 42588x52A

REPAIR PARTS ELECTRICAL SYSTEM

| Key No. | Description | Part No. |
|----------------|---------------------------|-----------------|
| 1 | Harness, Light Wire | 250x68 |
| | Socket, Light | 92372 |
| | Bulb, Light | 90084 |
| 2 | Harness, Chassis Wire | 250x69 |
| 3 | Switch, Ignition | 92556 |
| | Key, Ignition | 20729 |
| | Nut, Hex | 91489 |
| | Cap, Ignition | 91488 |
| 4 | Switch, Limit | 94136 |
| 5 | Fuse | 54212 |
| | Holder, Fuse | 407078 |
| 6 | Solenoid | 94613 |
| | Screw, Mounting | 26x229 |
| | Locknut | 15x116 |
| 7 | Cable, Battery Ground | 24x32 |
| | Screw, Ground Cable | 26x213 |
| 8 | Battery | 21075 |
| | Bolt, Carriage | 2x82 |
| | Wingnut | 14x79 |
| 9 | Harness, Seat Switch Wire | 250x67 |
| 10 | Switch, Seat Sensor | 94159 |
| 11 | Cable | 24x31 |